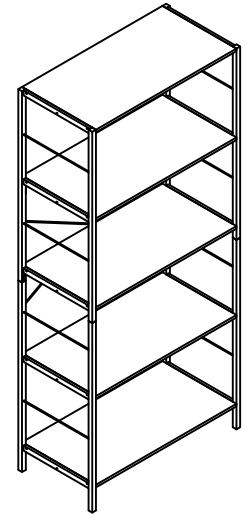










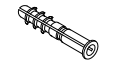



# ASSEMBLY INSTRUCTION

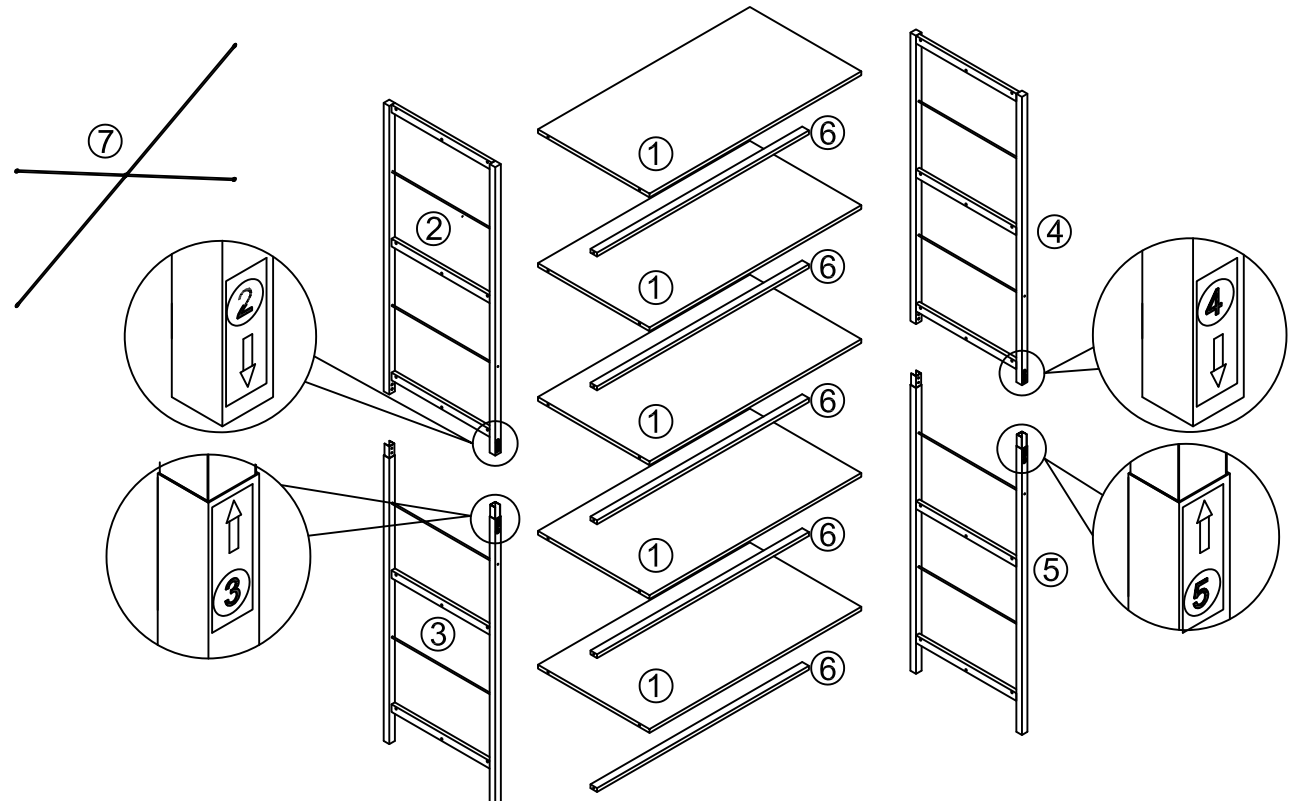
## 5 Tier Bookcase with side horizon line and X back Black/Coffee

This page lists the contents included in the box. Please take time to identify the hardware as well as the individual components of the product. As you unpack and prepare for assembly, place the contents on a carpeted or padded area to protect them from damage. Please follow the assembly instructions closely. Improper assembly can result in personal or property damage.

Attention: The longest appropriate screw number A only match nut number D.

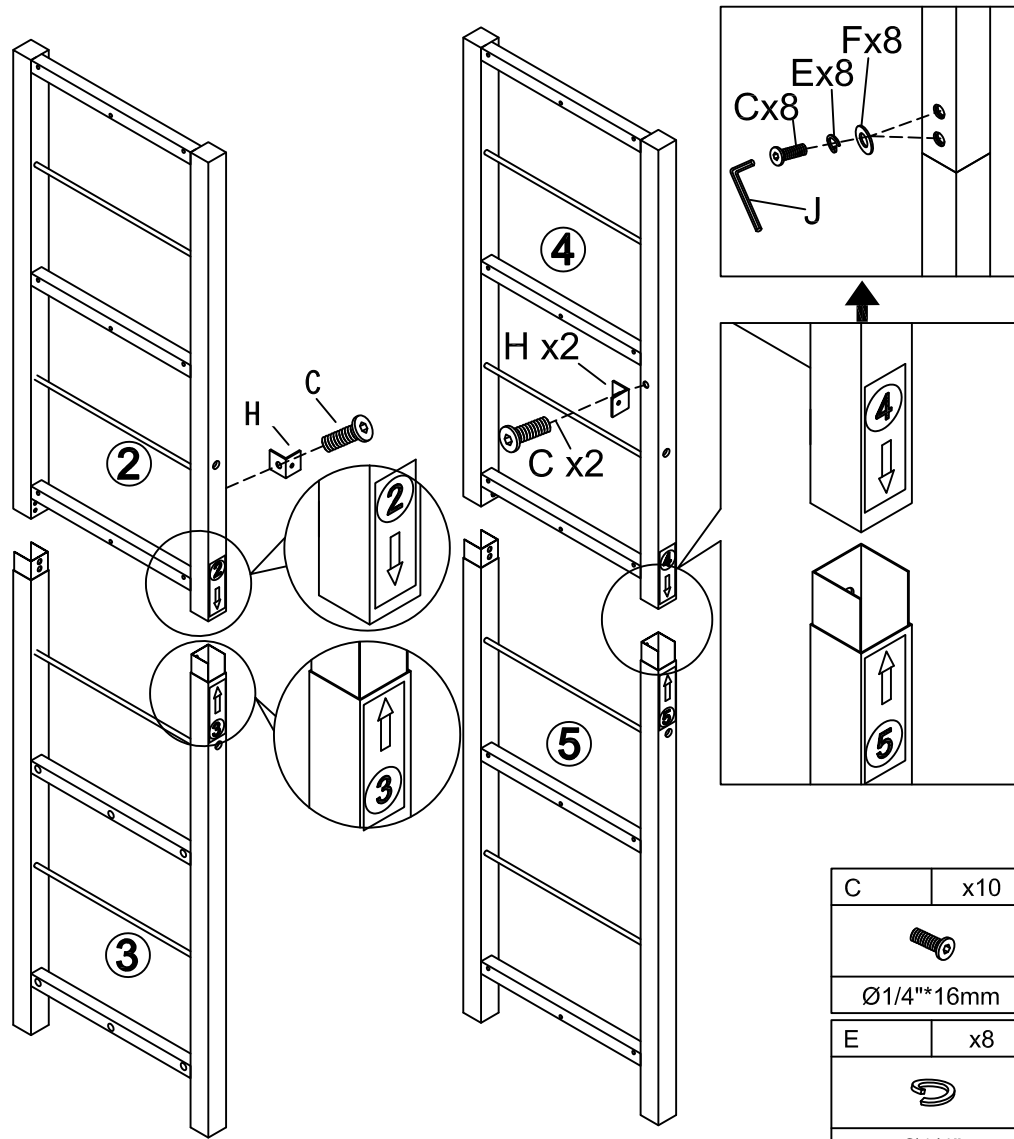


A	x20	B	x10	C	x14
					
M6**50mm		Ø1/4**30mm		Ø1/4**16mm	
D	x20	E	x12	F	x12
					
M6		Ø1/4"		Ø1/4"	
G	x4	H	x2	I	x4
					
Ø5*20mm					
J	x2	K	x2	L	x1
					
				Ø1/4"	



# STEP 1

**▲ NOTE:** The metal frame with hole must be on the same side when assembling. loosely attach bolts until all steps are complete.



L	x1
Ø1/4"	

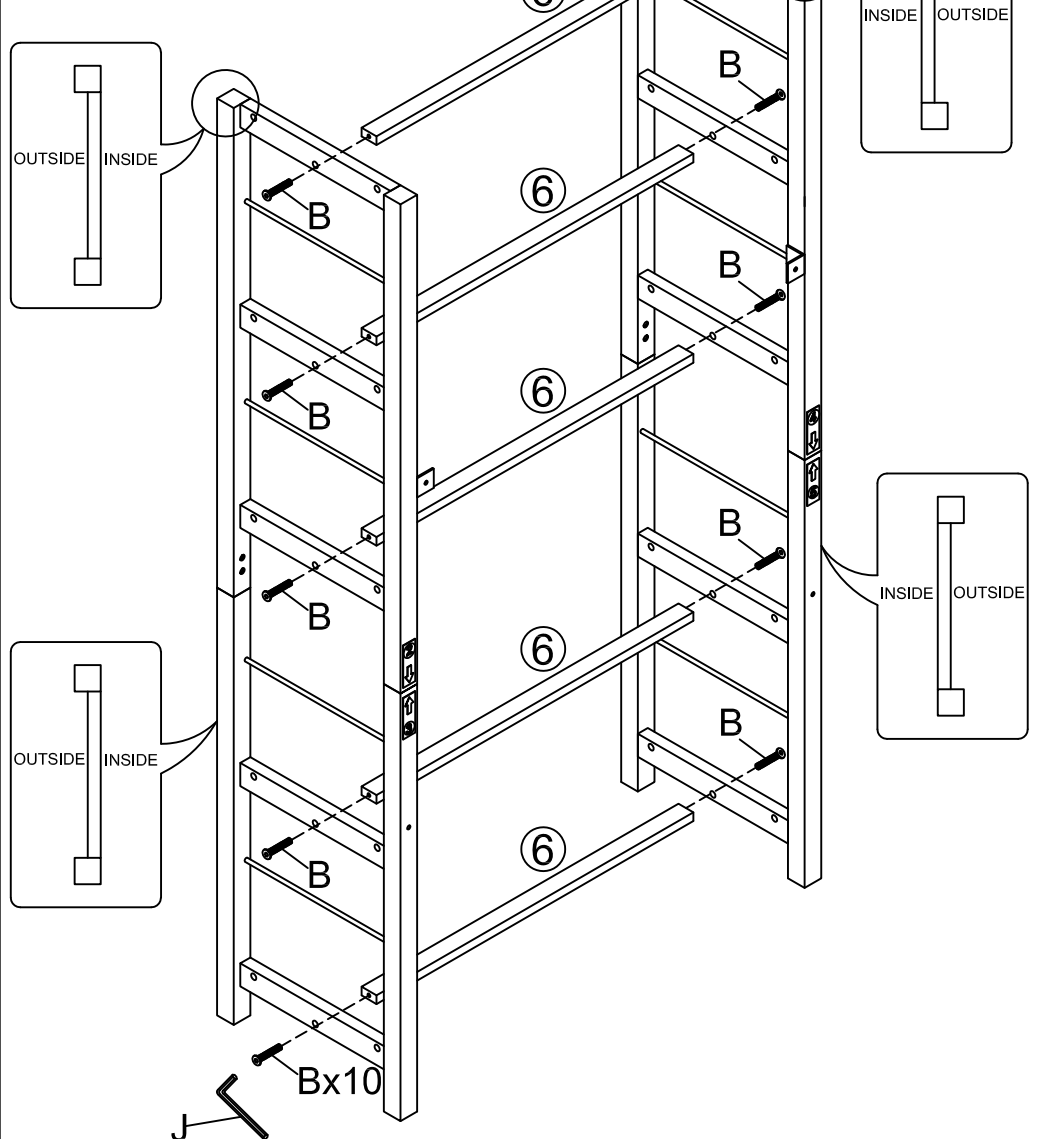
H	x2

C	x10
Ø1/4" x 16mm	
E	x8
Ø1/4"	

F	x8
Ø1/4"	

# STEP 2

**▲ NOTE:** Secure, but do not over tighten all bolts

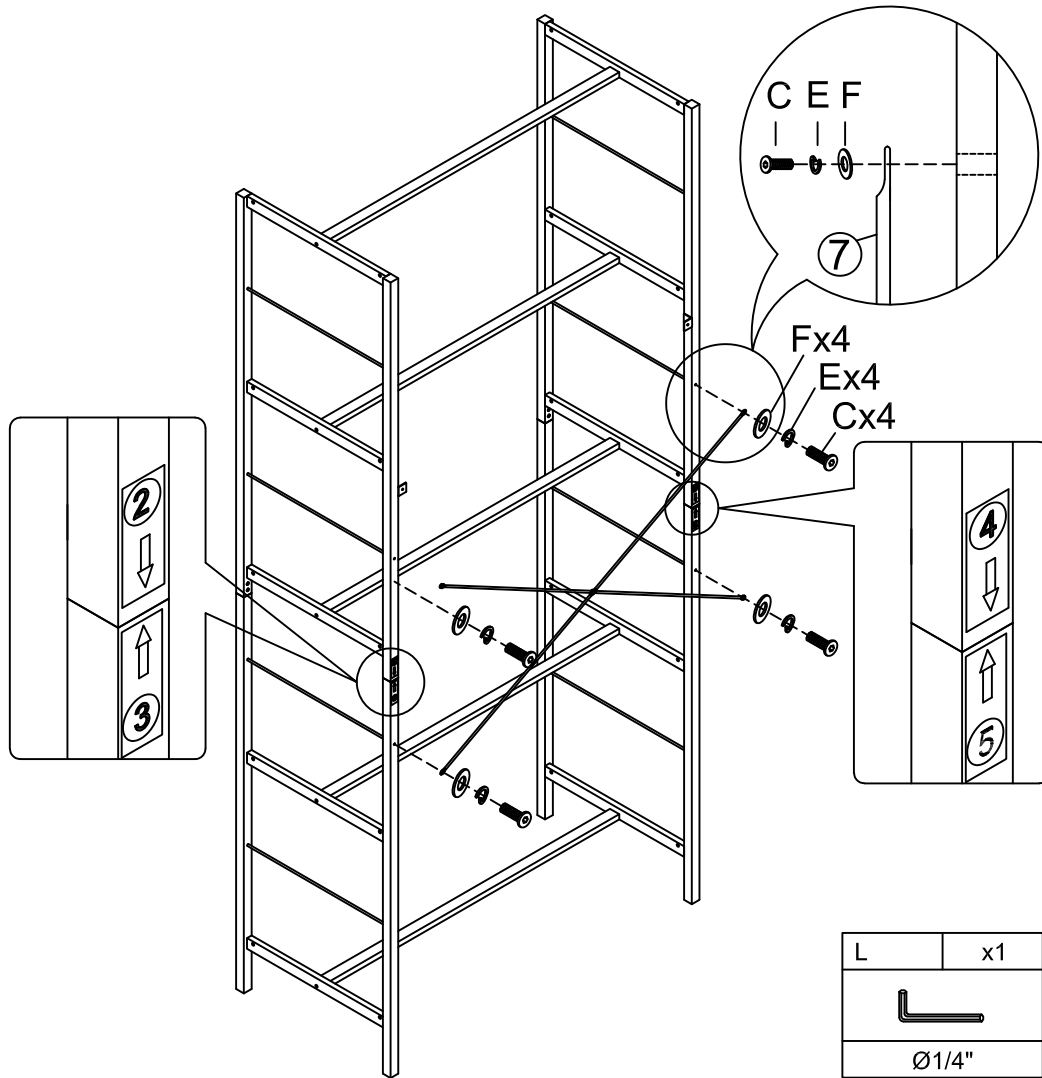



B	x10
Ø1/4" x 30mm	


L	x1
Ø1/4"	


# STEP 3


▲ NOTE: Loosely attach bolts until all steps are complete.



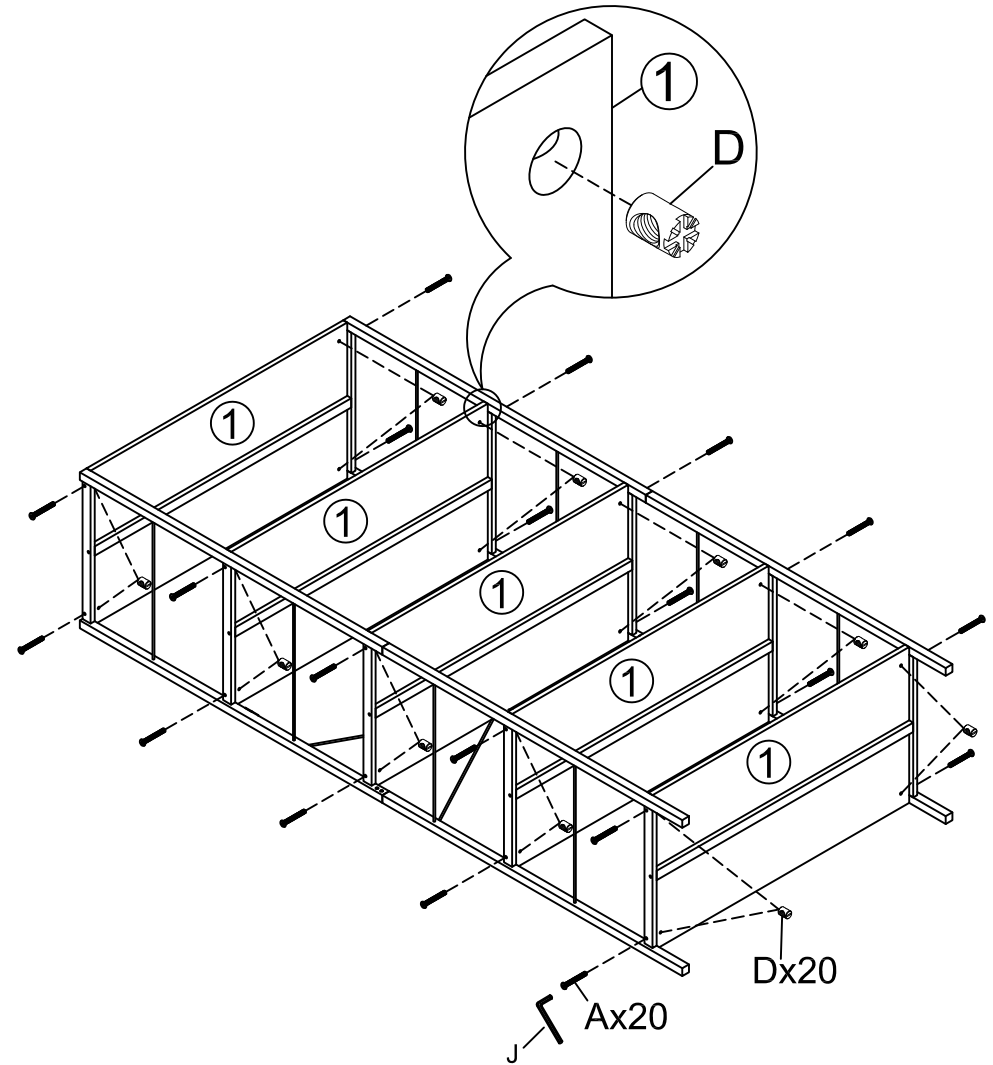
L	x1
	
Ø1/4"	


C	x4
	


E	x4
	


F	x4
	

# STEP 4

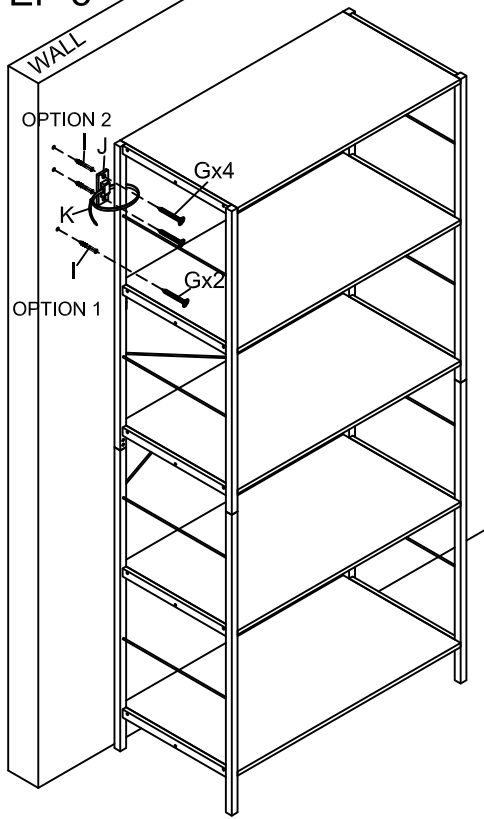


A	x20
	

D	x20
	

L	x1
	

## STEP 5



### ▲ Wall Mounting Instructions

There are two assembly options to choose

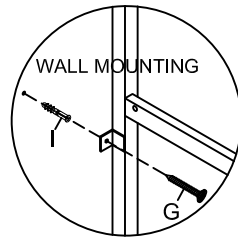
#### OPTION 1

- 1) Using screws provided and a screwdriver, secure mounting plate(s) to the back of product.
- 2) Noting the location of the product's mounting plate(s), mark and drill holes on the wall for mounting plate(s). Drill pilot holes into marked positions and into a wall stud.  
NOTE: if wall studs are not available, drill holes slightly smaller than the drywall anchors and insert each anchor until its flange is flush with the wall.
- 3) Using a screwdriver, secure mounting bracket(s) to the wall stud or drywall anchors with screws provided.

#### OPTION 2

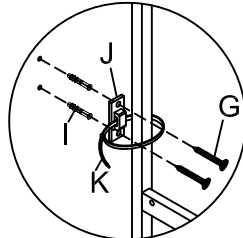
- 1) Attach a bracket to the wallboard with the long screws provided.
- 2) Move the furniture into its final position. Thread a strap through the bracket as shown in the illustration, tighten strap until snug. Do not over tighten.
- 3) Make sure the bracket is firmly attached to the wallboard and furniture, and the strap is snug.
- 4) Position production in final location, and secure to the wall by lacing one end of plastic tie(s) through both the wall and product mounting plates, and through the other end, pulling tightly to remove slack. Do not over tighten.

#### OPTION 1

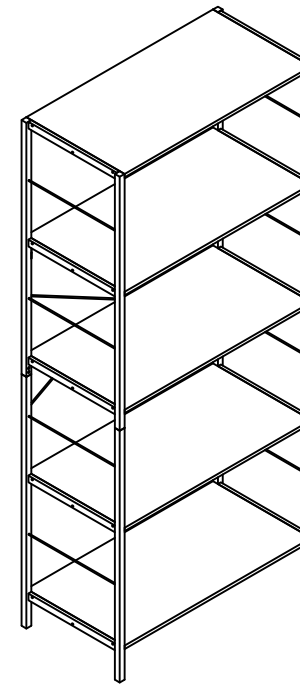


I	x2	G	x2
		Ø5*20mm	

#### OPTION 2



I	x4	G	x4
		Ø5*20mm	
J	x2	K	x2



### WARNING

Serious or fatal crushing injuries can occur from furniture tip-over. To help prevent tip-over, install tip restraints per instructions. To further reduce the risk of serious injury and death from tip-overs:

- Place heaviest items in the lowest compartments .
- Unless specifically designed to accommodate, do not set TVs or other heavy objects on the top of this product.
- Never allow children to climb or hang on shelves.

Use of tip-over restraints may only reduce, but not eliminate, the risk of tip-over.

For safe mounting, it is essential to use wall anchors appropriate to your wall type (i.e. plaster, drywall, concrete, etc).

Mount to wood studs whenever possible. NOTE: If you are unsure about your wall type or what mounting method you should use, consult a qualified professional or your local hardware store.

### Cleaning and Care

Clean surfaces with a dry or damp soft cloth. Do not use abrasive cleaners. Do not use furniture wax or polish. It is recommended to use coasters to protect surface from heat and water.