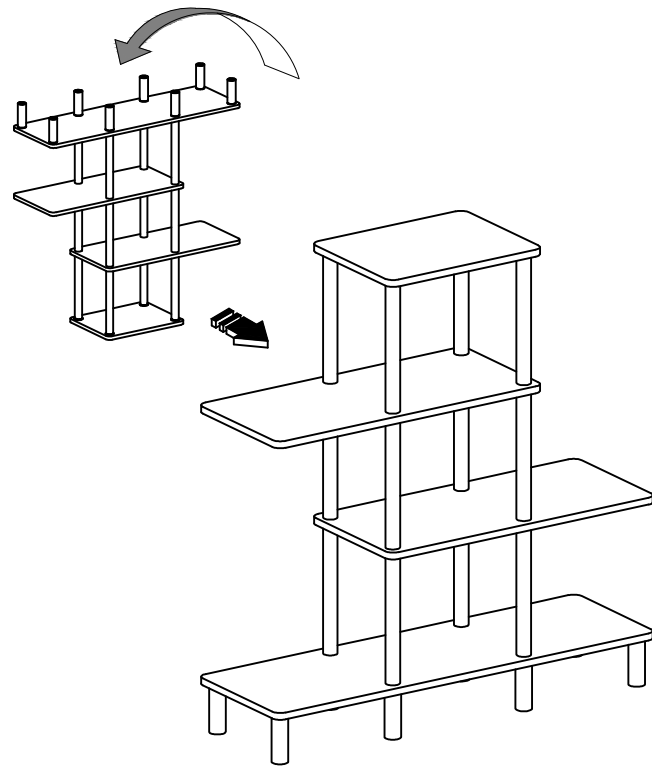





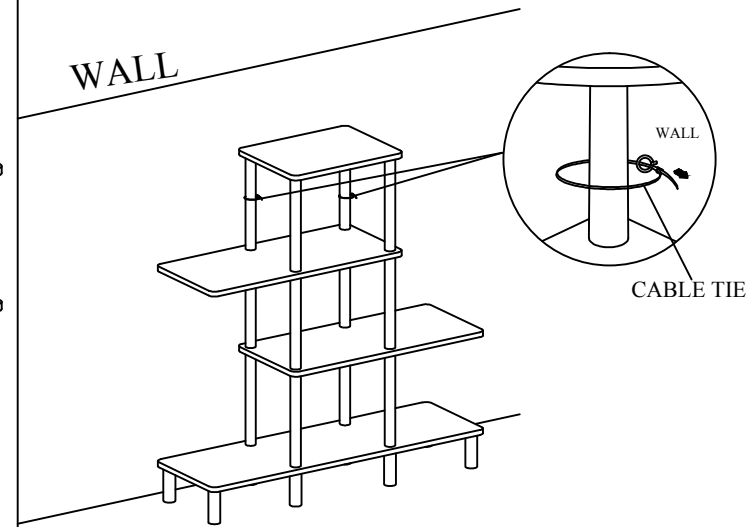
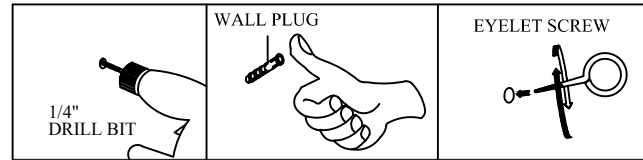
**STEP 5**

TURN 180°

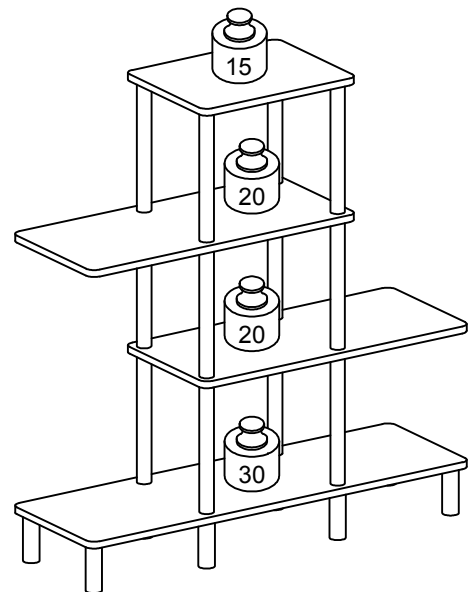


PLEASE FOLLOW BELOW INSTRUCTION TO PREVENT PRODUCT TIP OVER.

HARDWARE LIST			QTY
 WALL PLUG	 EYELET SCREW	 CABLE TIE	2 SETS



**Recommended Maximum Weight**



\*Unit in Pound(lbs.)


**WARNING:**

>This unit has been designed to support the maximum loads shown. Exceeding these load limits could cause sagging, instability, product collapse, and/or serious injury.

>DO NOT allow children to climb on unit.

> Put heavier items on lower shelves.

**00:20**  
Approx. 20 minutes



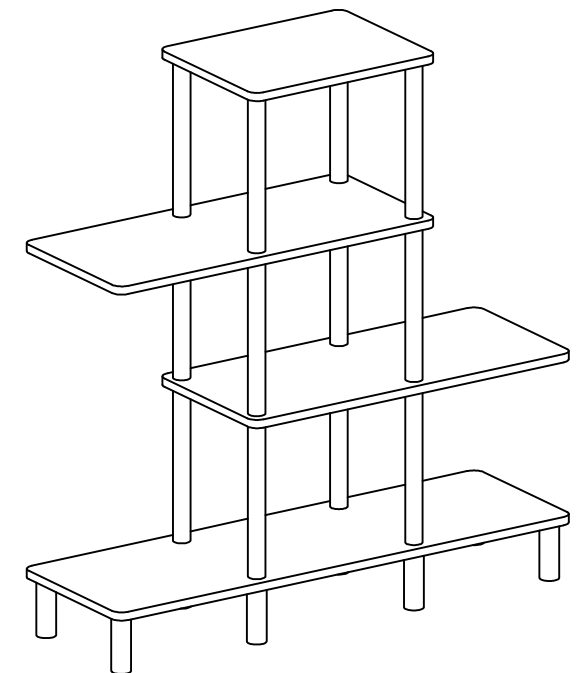
Recomm. 2 Persons






No Tools Required

**Assembly Instruction**

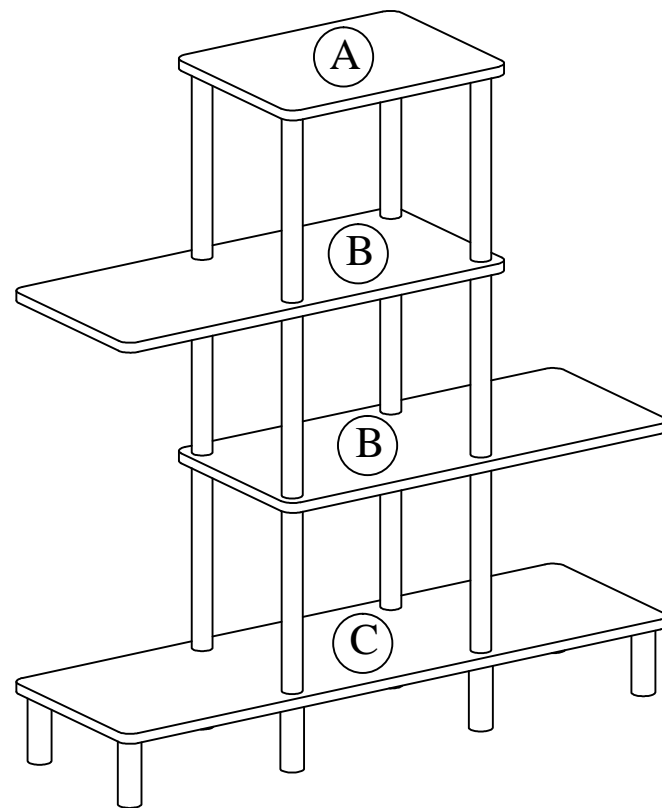
4-Tier Design Display Rack



# HARDWARE & PARTS LIST

NO	HARDWARE LIST	QTY
1	POLE 	12pcs
2	LONG LEG 	8pcs
3	ROUND RING 	4pcs

NO	PARTS LIST	QTY
A	TOP PANEL	1pc
B	SHELF PANEL	2pcs
C	BOTTOM PANEL	1pc



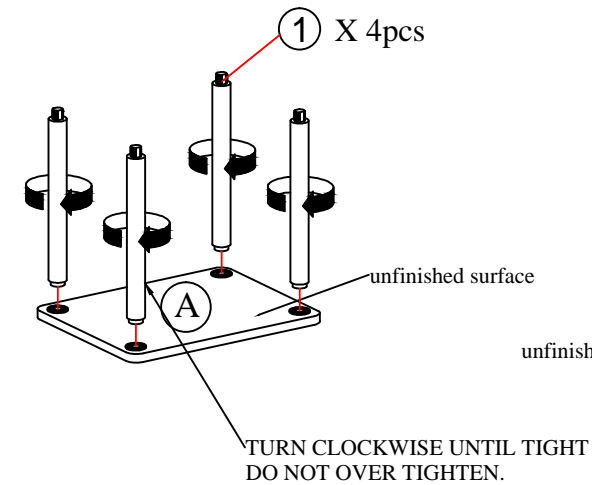
## USEFUL HINTS BEFORE YOU START:

1. Read each step carefully before starting.
2. It is important that each step is performed in correct order to avoid difficulties.
3. Identify, sort and count the parts before assembly.
4. Assemble your furniture on packaging cardboard to prevent scratch or damage.
5. Clean the product with mild cleanser using soft damped cloth. Do not use harsh or abrasive cleanser.
6. Using incompatible hardware might cause damage to product.

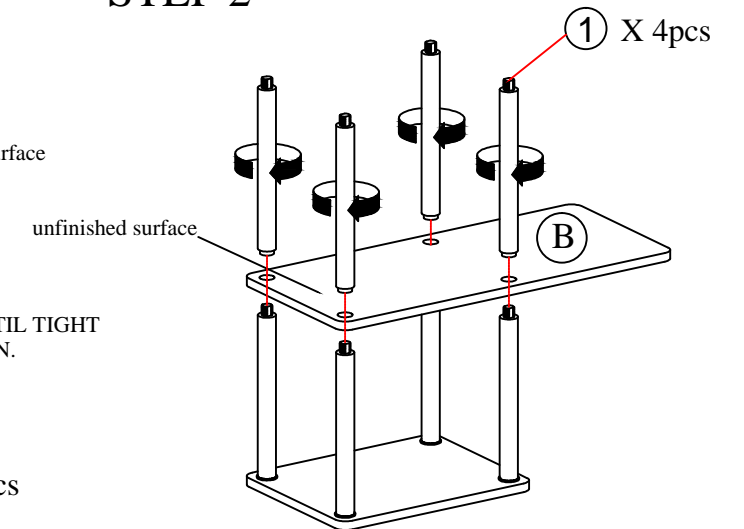
# ASSEMBLY INSTRUCTIONS

BEFORE YOU BEGIN, PLEASE READ ASSEMBLY INSTRUCTION CAREFULLY, FOLLOW THEM STEP BY STEP.

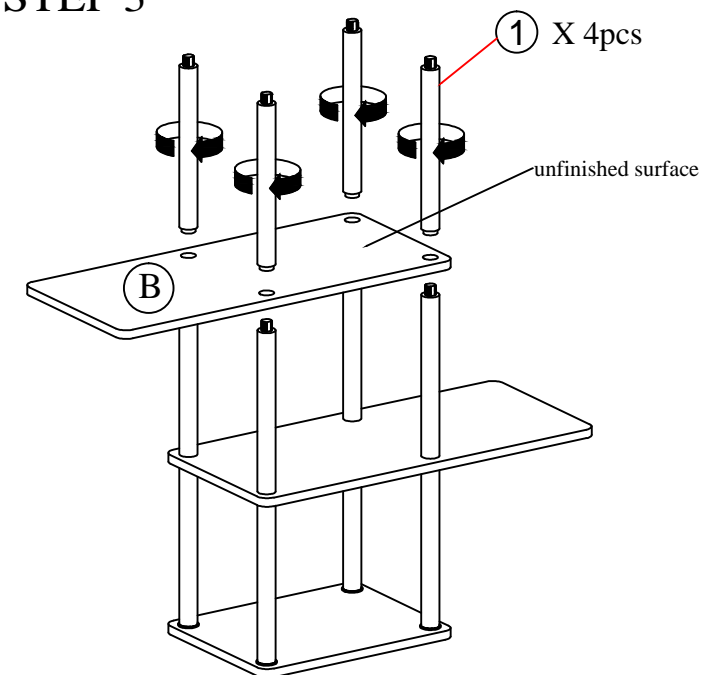
## STEP 1



## STEP 2



## STEP 3



## STEP 4

