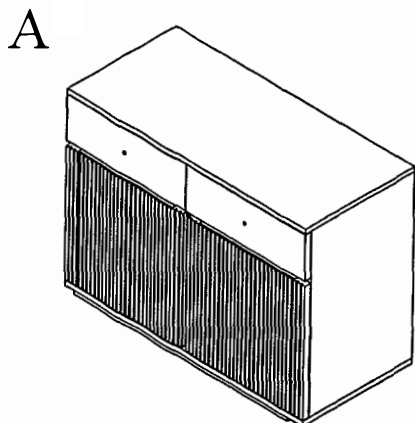
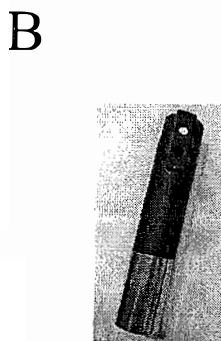


Assembly instructions: 1000x450x850



Desk top 1x



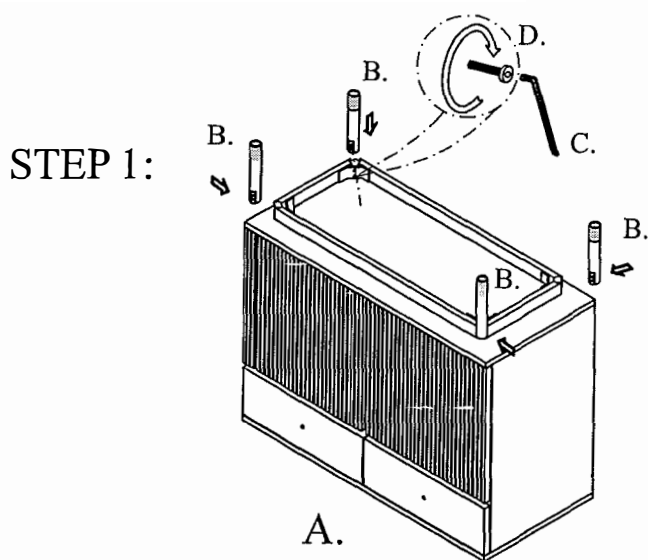
Cabinet legs
(angle) 4x



Bolt M8 x 45mm 8x



Hand holding drawers Ø11x25mm 2x
(Tightened inside drawers)



Bolt M4 x 45mm 2x



Philips Head Screw driver
(Not included)

STEP 2: Finish.

