

GLASS SHELF INSTALLATION GUIDE

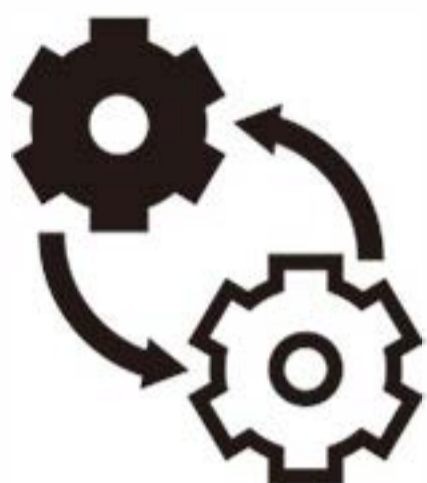
AFTER-SALE SERVICE



24- Hour Customer Support

Visit our customer support center at www.keshome.com/cs, available 24/7.

Contact us via Amazon Message, instant chat, and email during business hours.



Free Replacement Parts

Please contact us if any parts are damaged or missing. Parts provided free. (Shipping fees may apply)



1-on-1 Responsive Customer Service

No need to restate your case with each contact. Our dedicated team of professionals will work on resolving your issue until it is resolved.



Parts Customization

No need to worry about unexpected challenges. Share your requirements, and we'll customize parts to meet your specific needs.



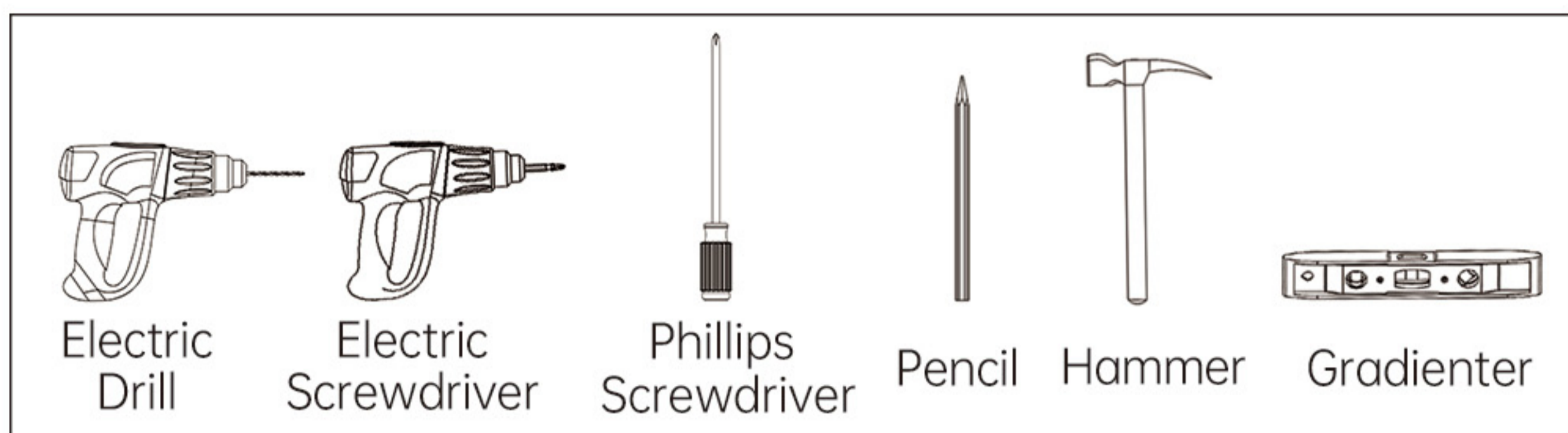
Return Policy

Feel free to return within 30 days. Please ensure all items (particularly the hardware pack) are in the box before returning.

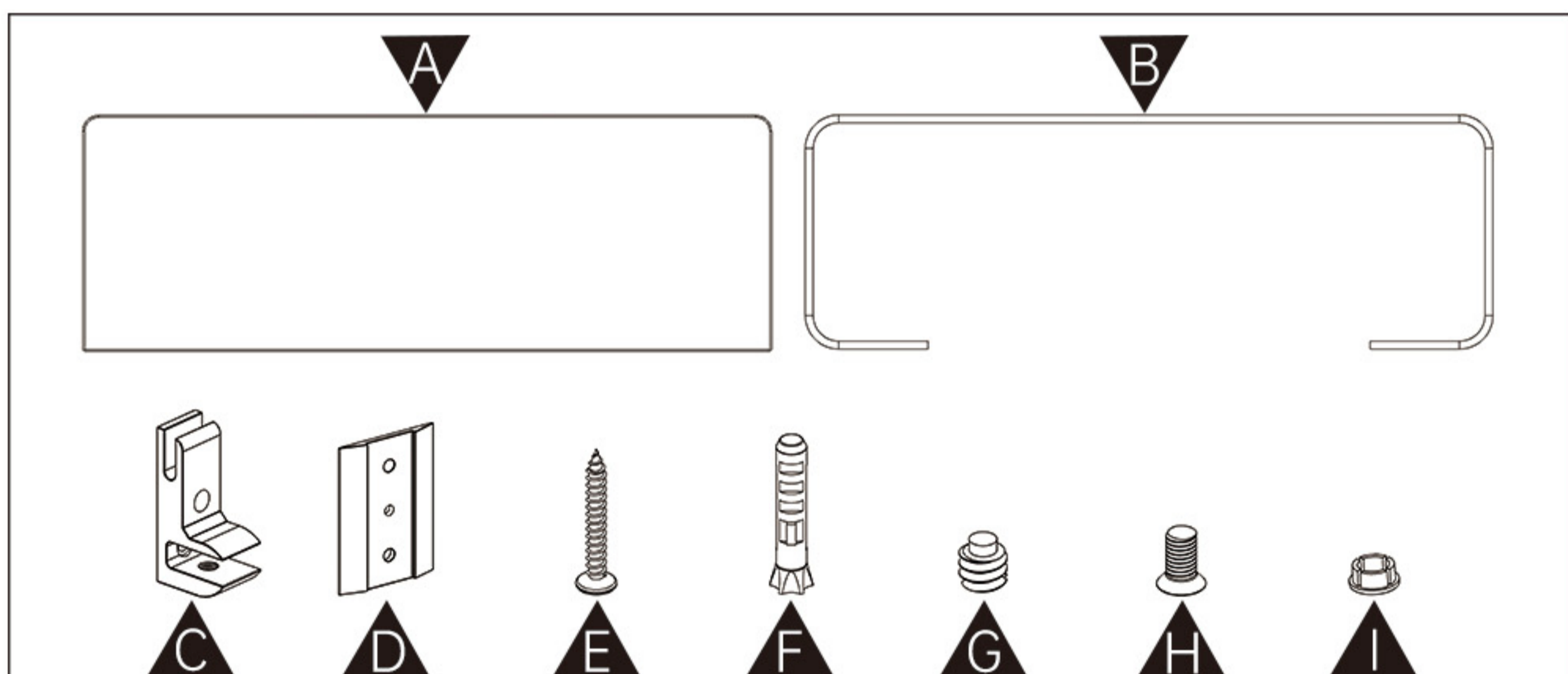
WARNING

To reduce the risk of injury or property damage, read all instructions before installing product. Wear safety goggles.

HELPFUL TOOLS



PRODUCT COMPONENTS



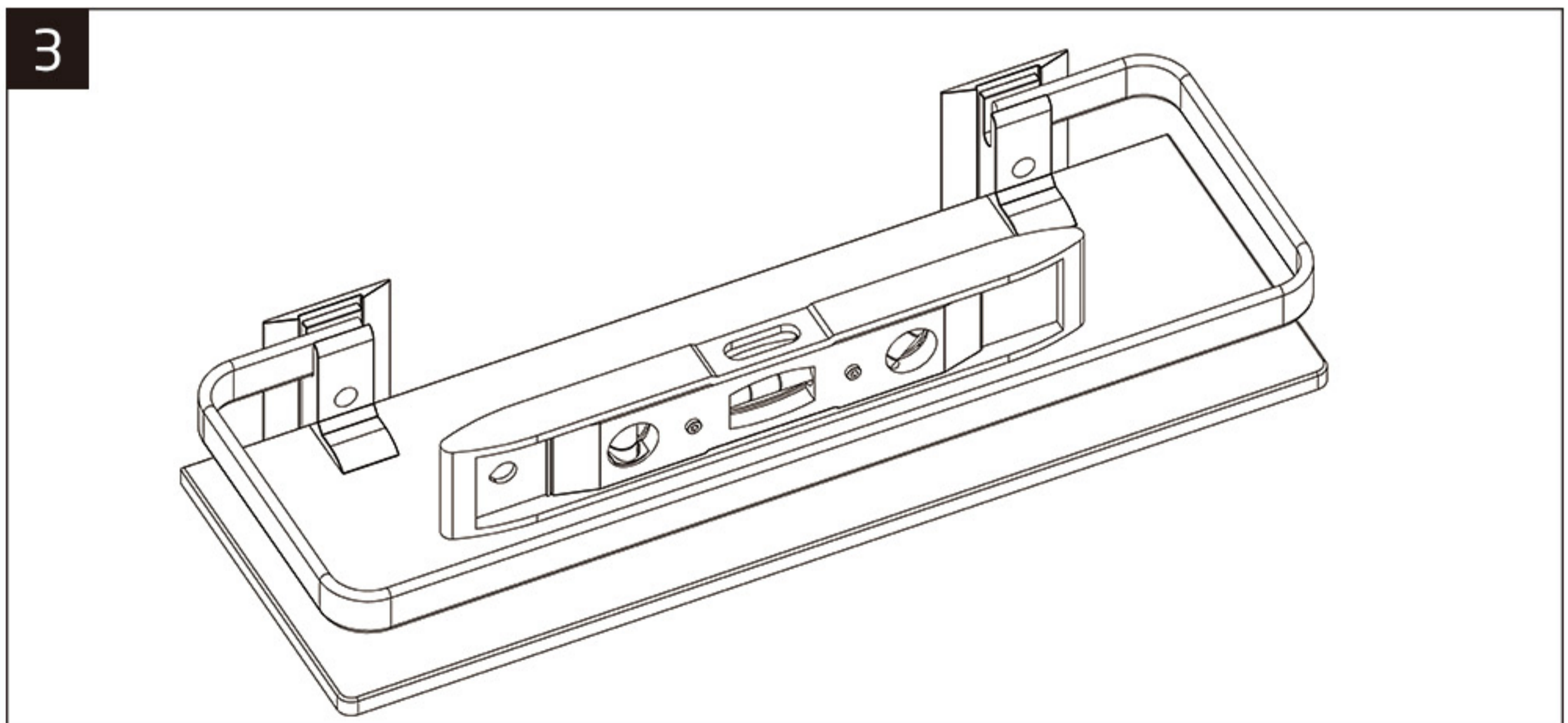
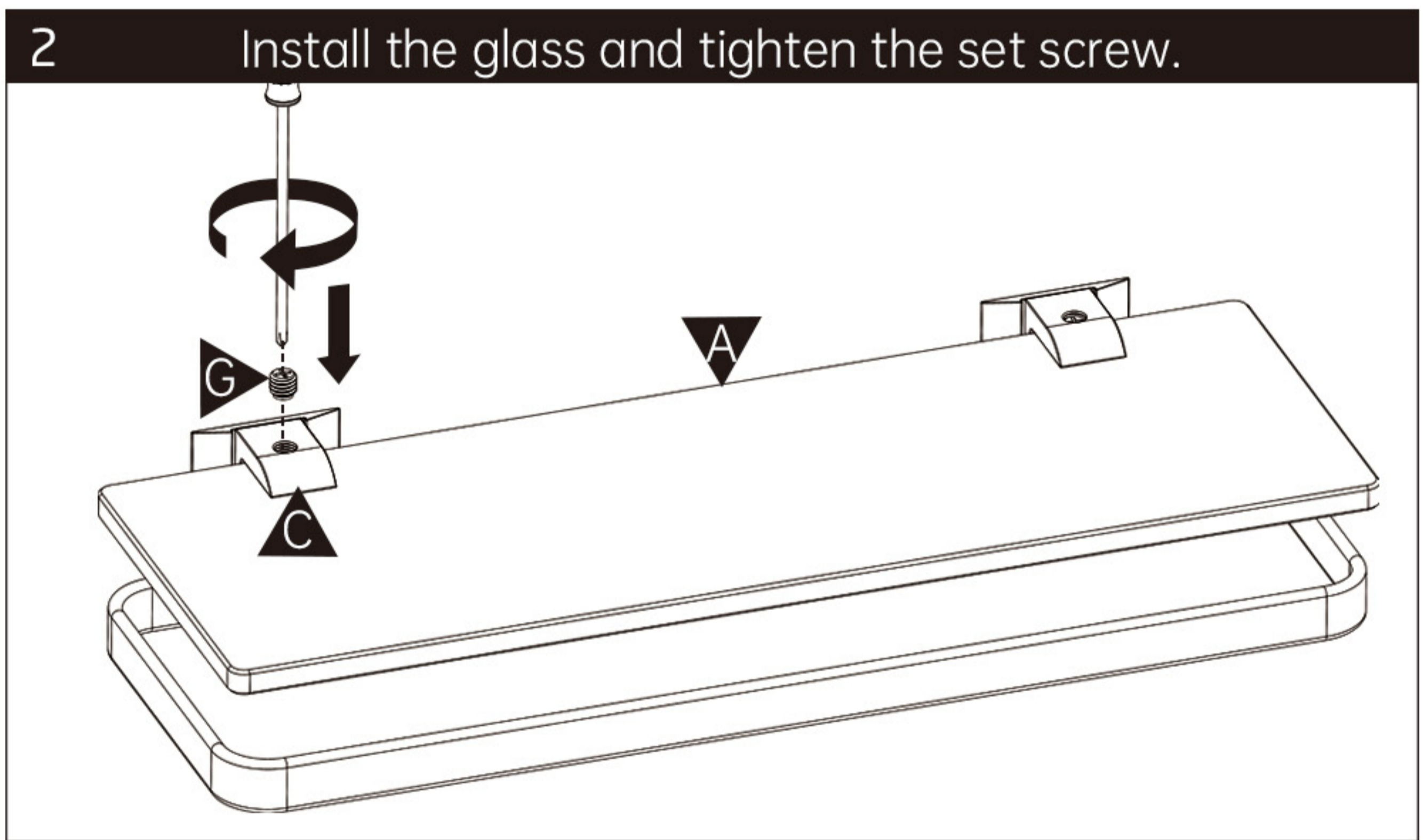
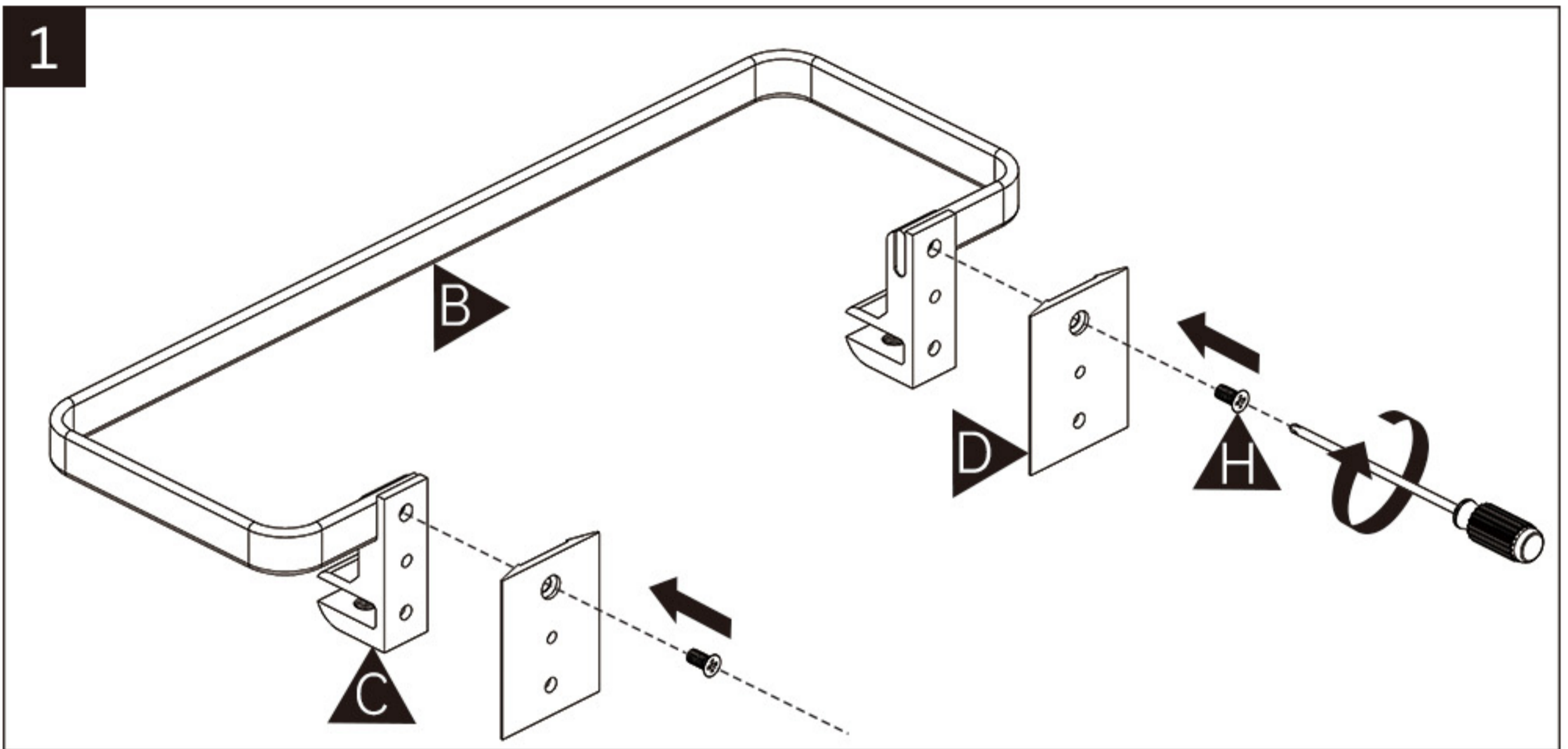
Parts List

- | | |
|--------------------------------------|---------------------------------------|
| A. Tempered Glass(350mm) (x1) | F. Anchor (x4)+(1 spare) |
| B. Guardrail(350mm) (x1) | G. Set Screw(pre-installed in C) (x2) |
| C. Bracket (x2) | H. Short Flat Head Screw (x2) |
| D. Mounting Plate (x2) | I. Screw Cap (x2)+(1 spare) |
| E. Self-tapping Screw (x4)+(1 spare) | |

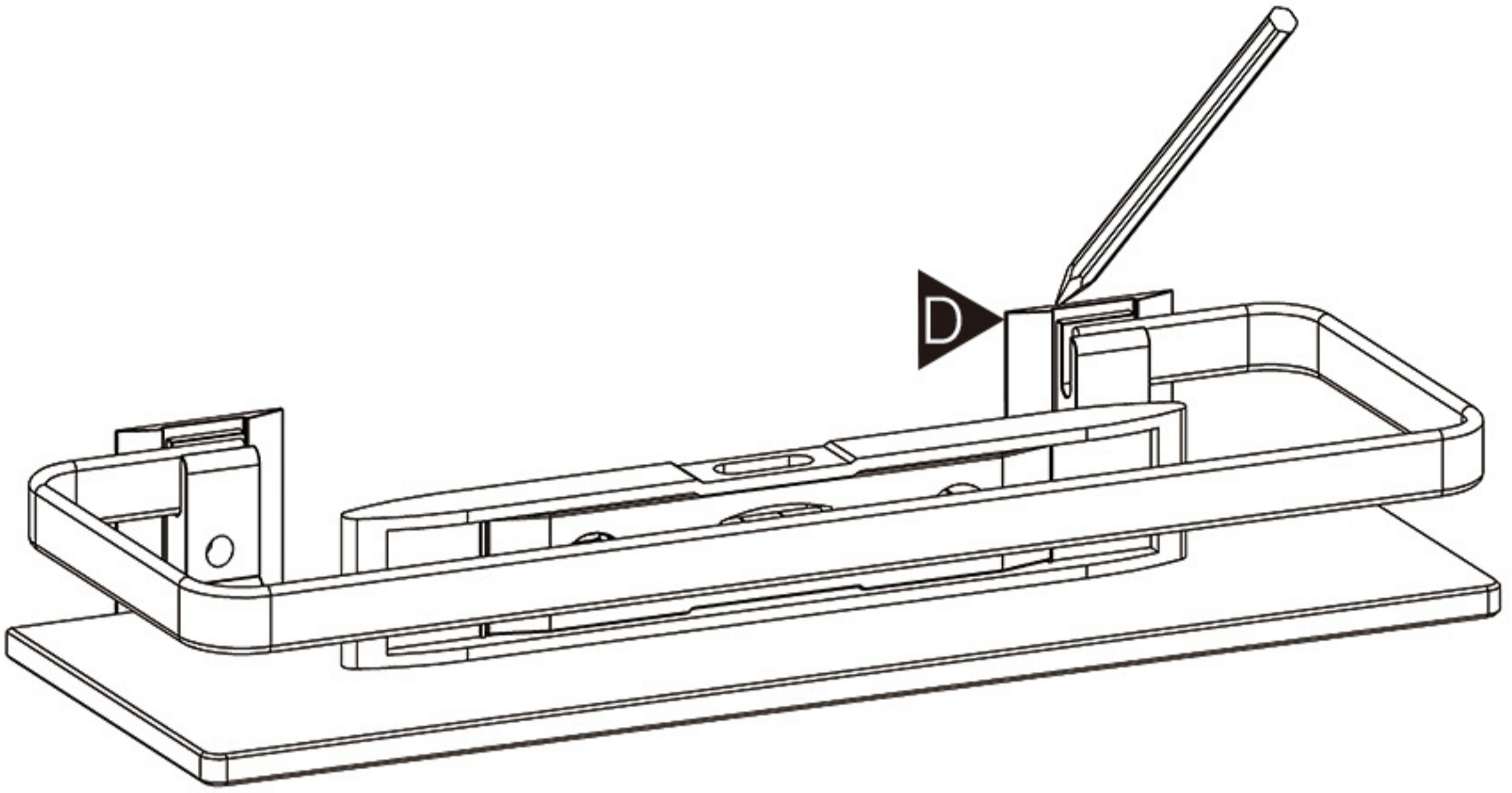
SCREW-MOUNT INSTALLATION

Drill-bit size: 15/64" (6 mm)

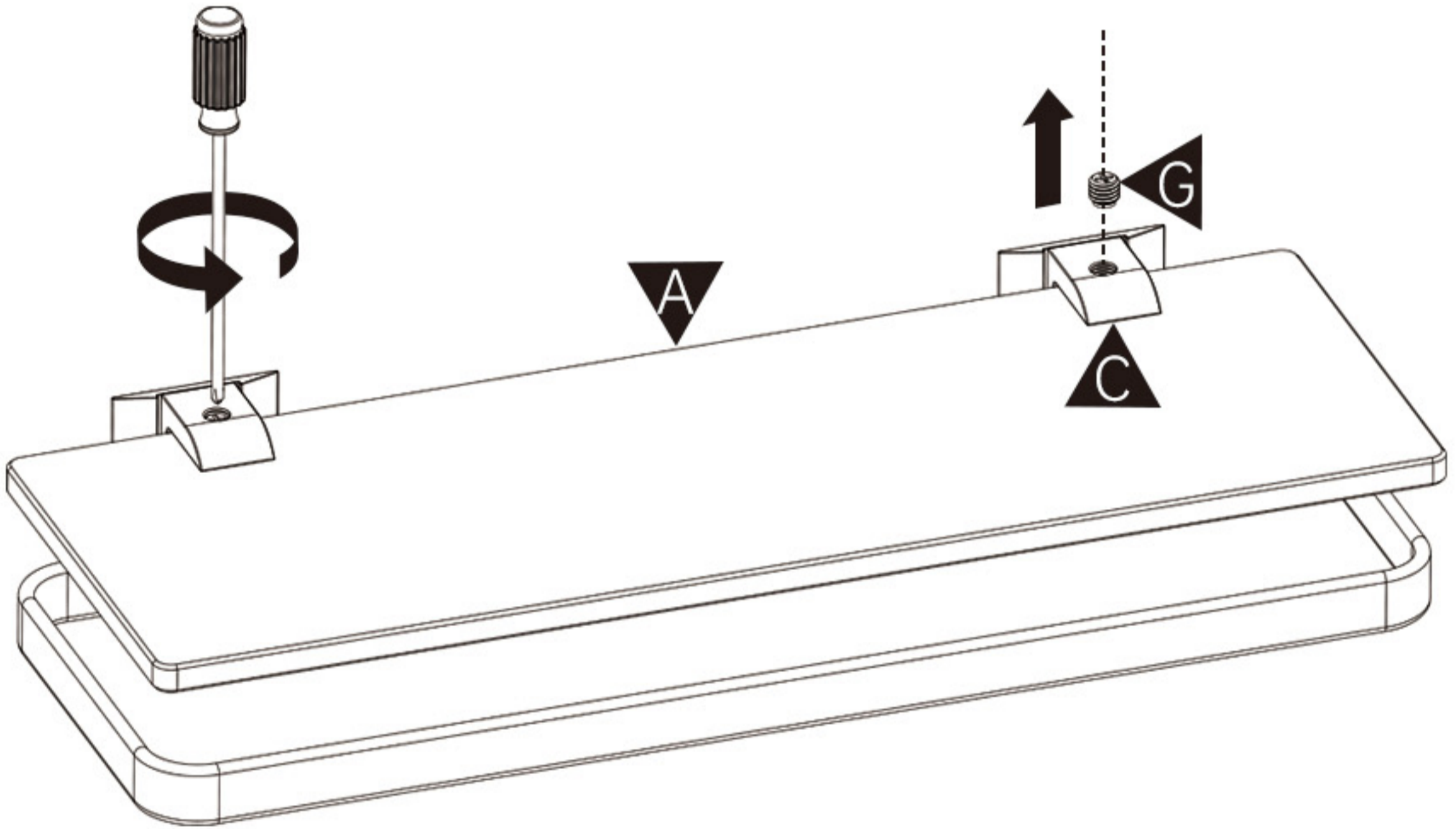
Max. load: 5 kg or 11 lbs (Screw-mounted on solid concrete wall)



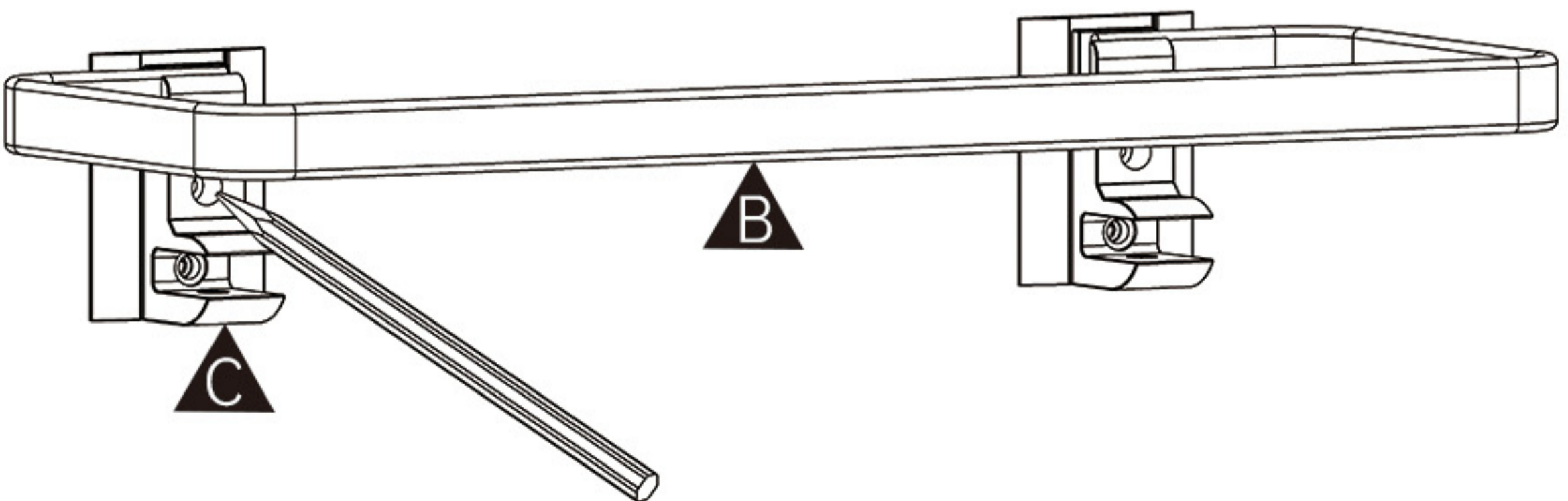
4

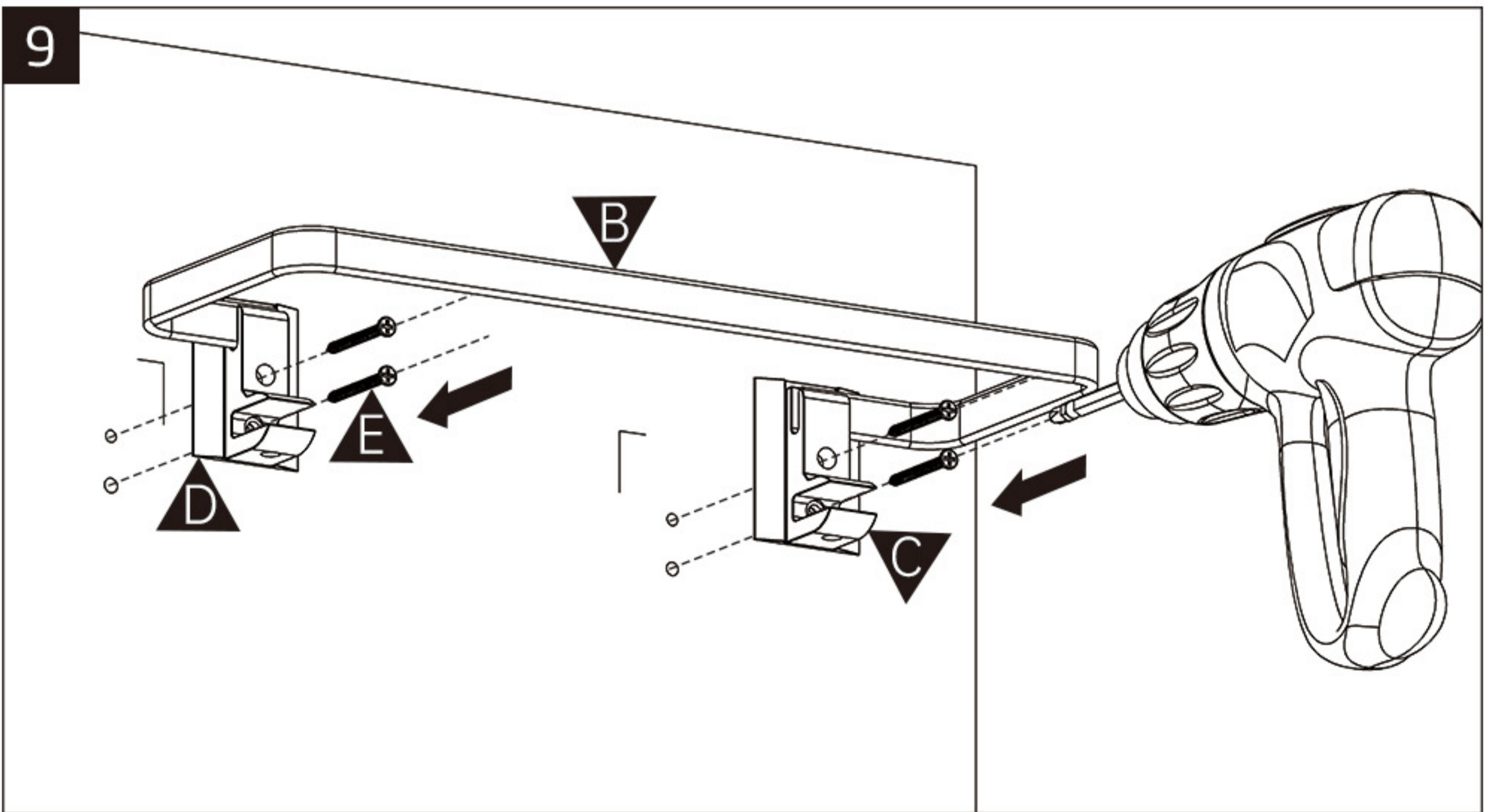
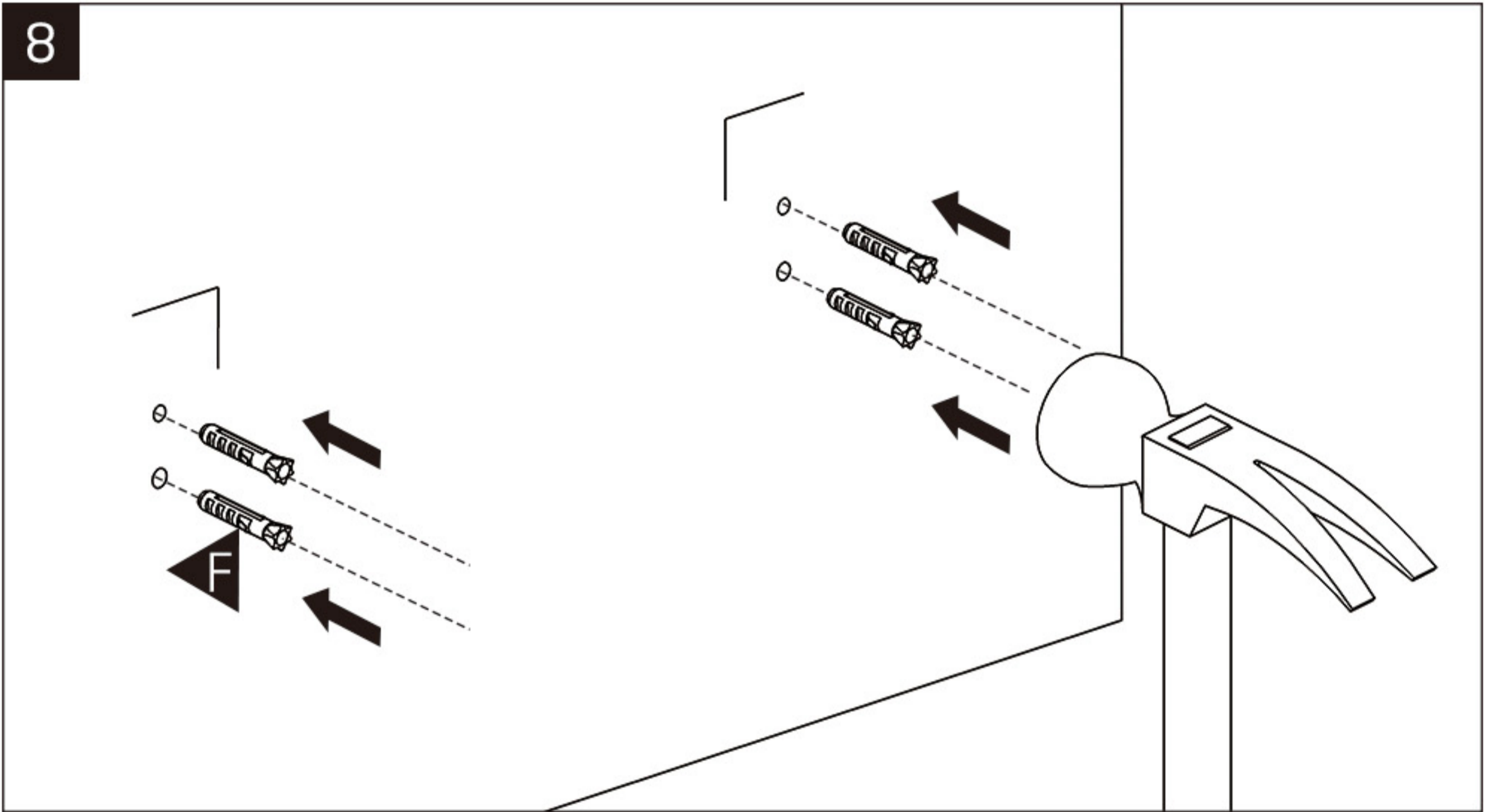
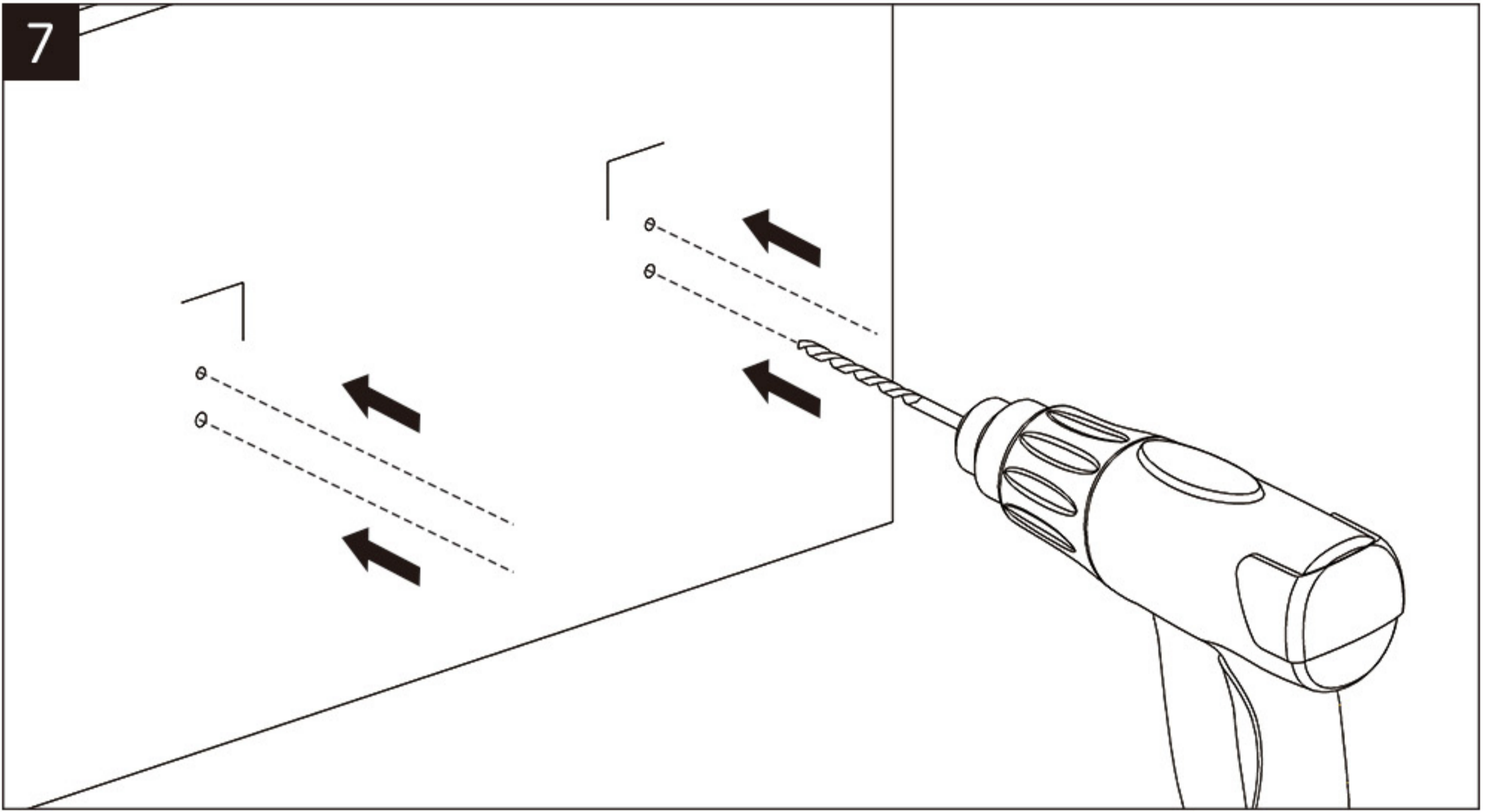


5 Untighten the set screw and remove the glass.

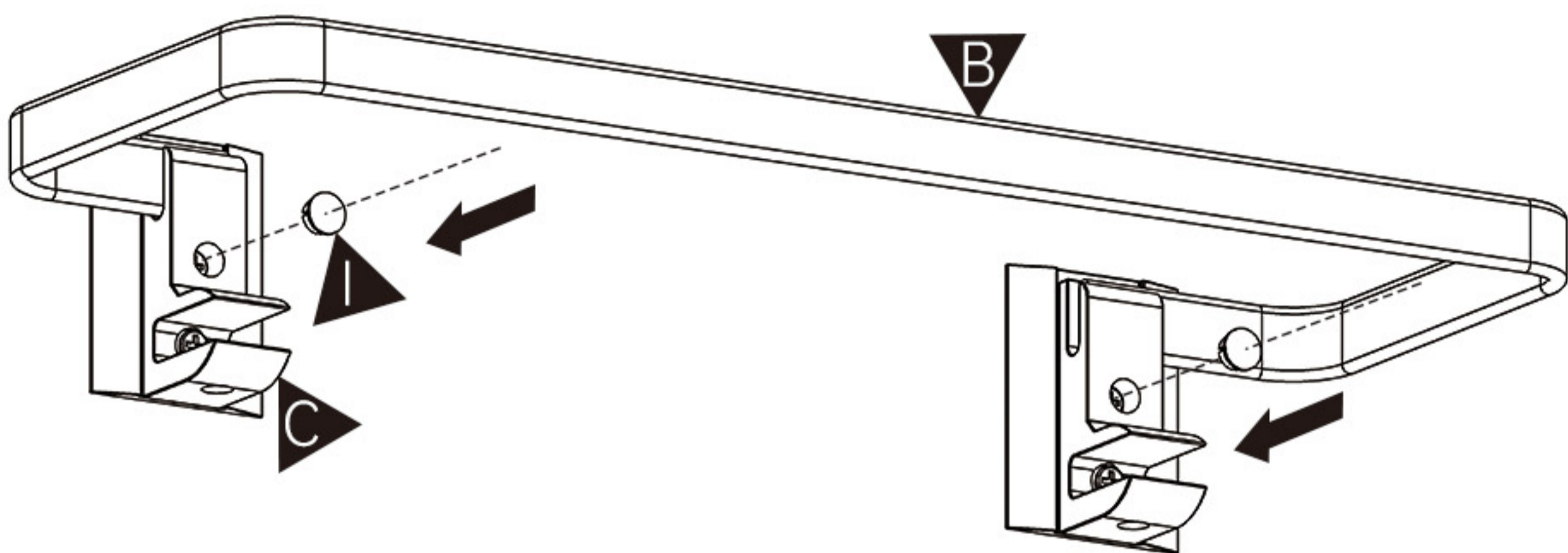


6

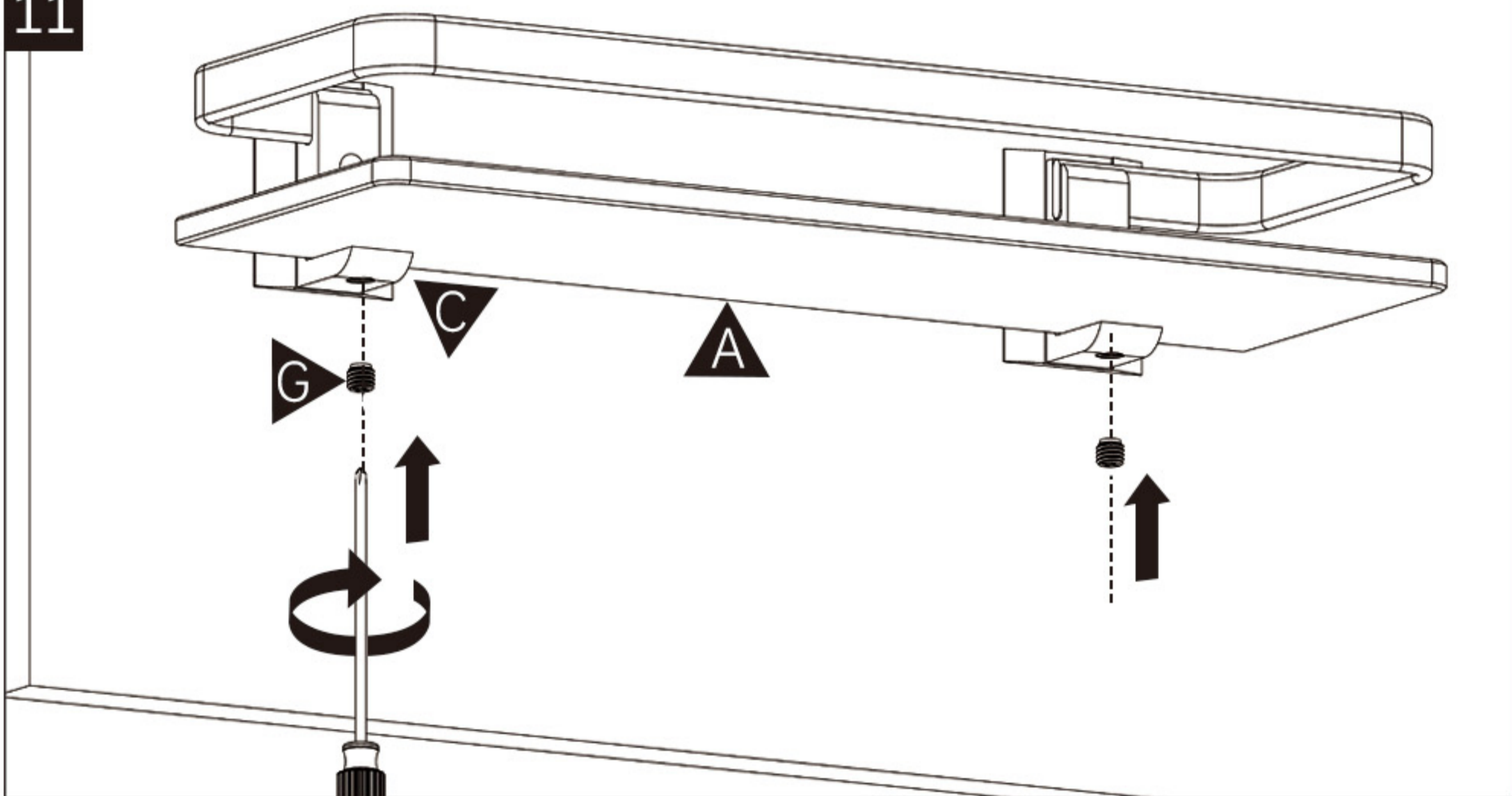




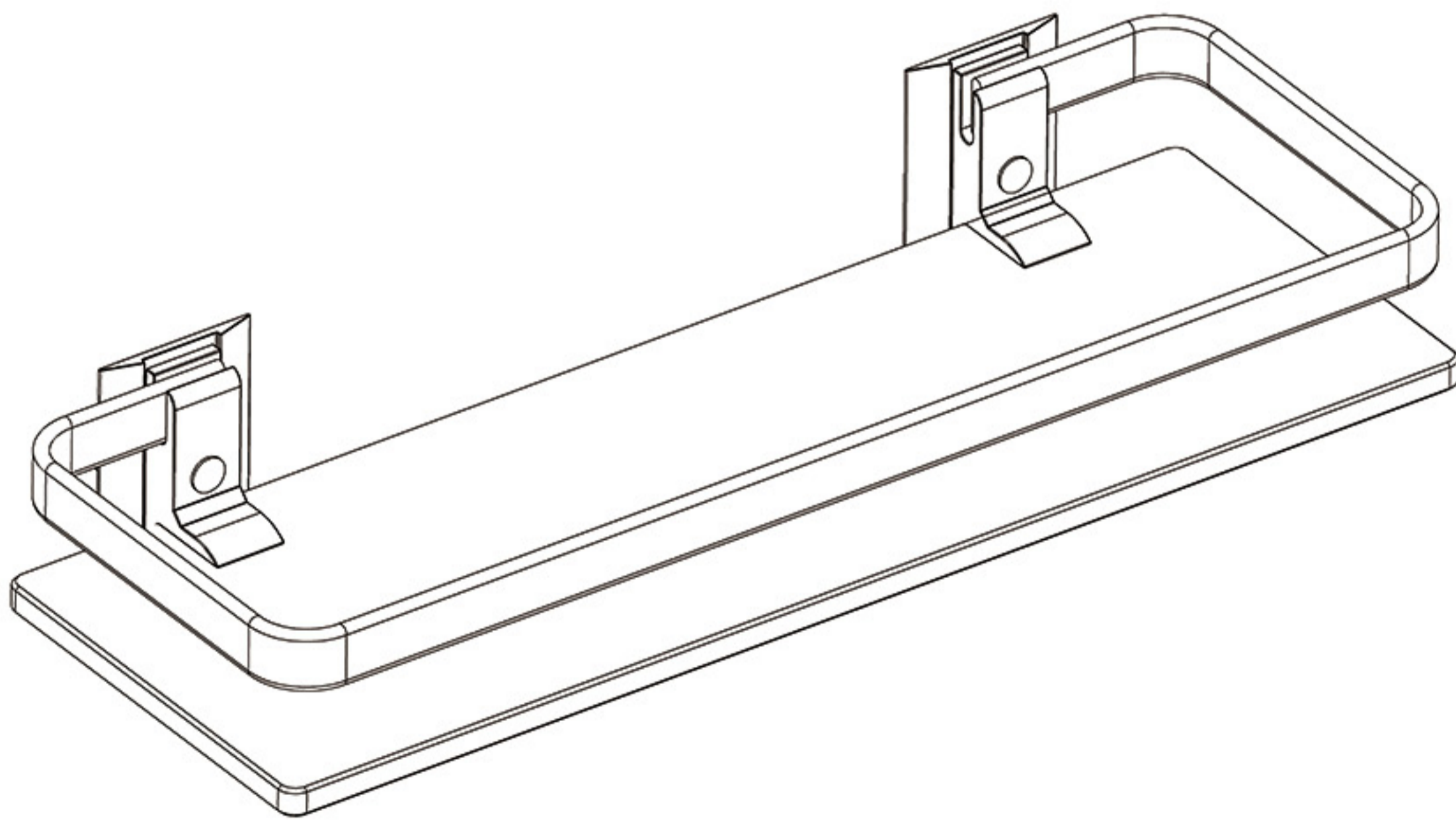
10



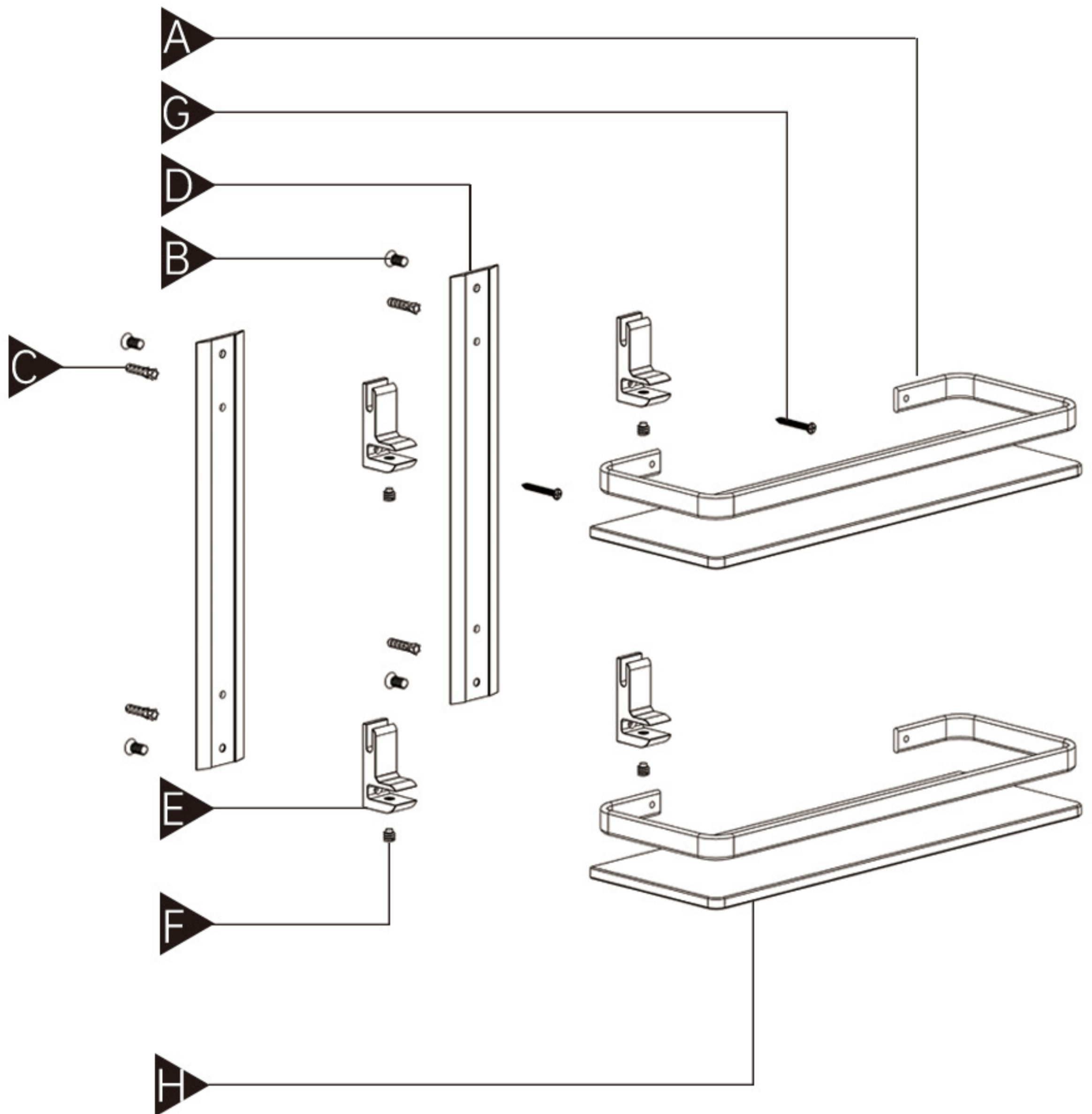
11



12



PRODUCT COMPONENTS



Parts List

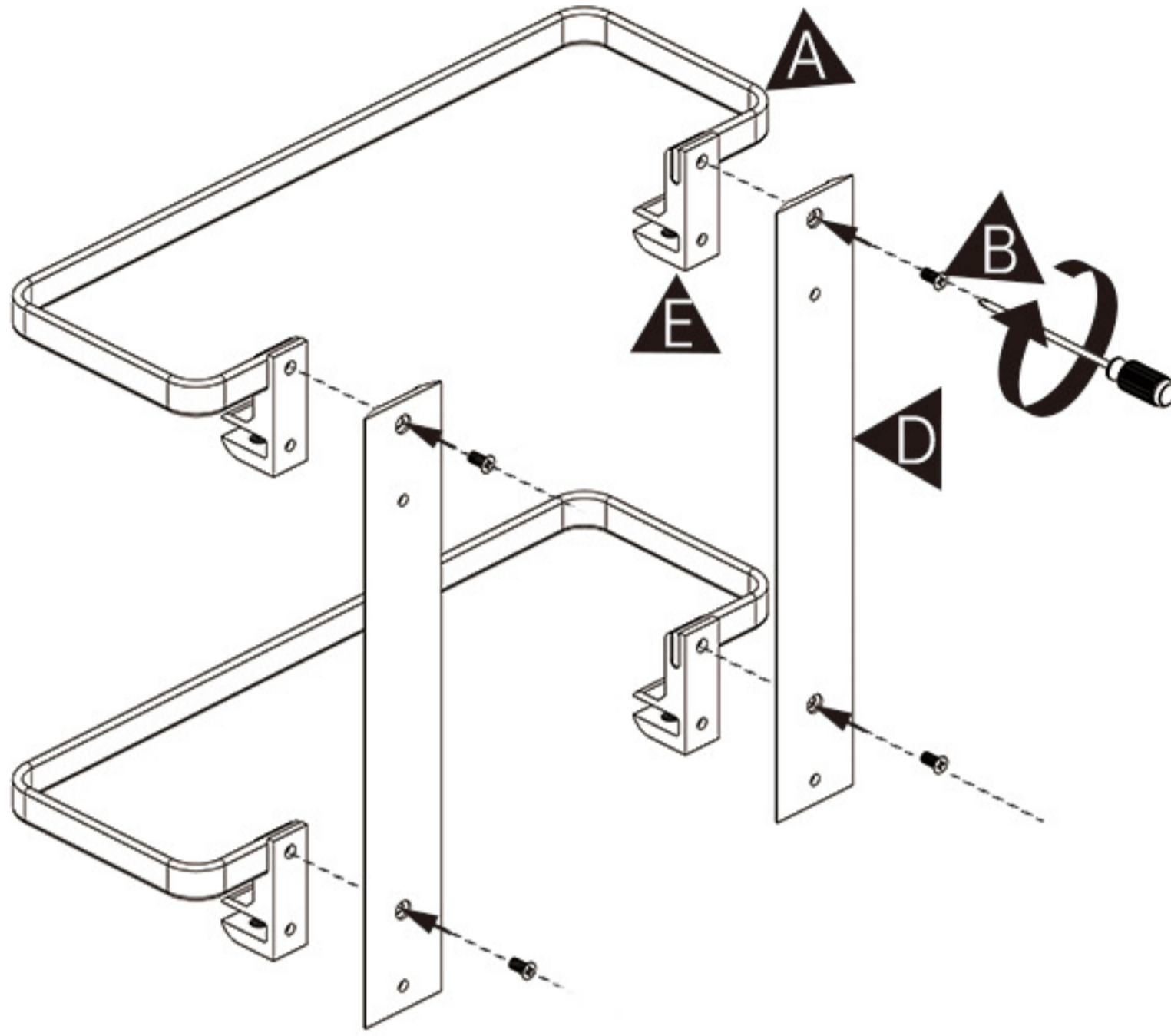
- | | |
|-------------------------------|---------------------------------------|
| A. Guardrail(350mm) (x2) | E. Bracket (x4) |
| B. Short Flat Head Screw (x4) | F. Set Screw(pre-installed in E) (x4) |
| C. Anchor (x4)+(1 spare) | G. Self-tapping Screw (x4)+(1 spare) |
| D. Mounting Plate (x2) | H. Tempered Glass(350mm) (x2) |

SCREW-MOUNT INSTALLATION

Drill-bit size: 15/64" (6 mm)

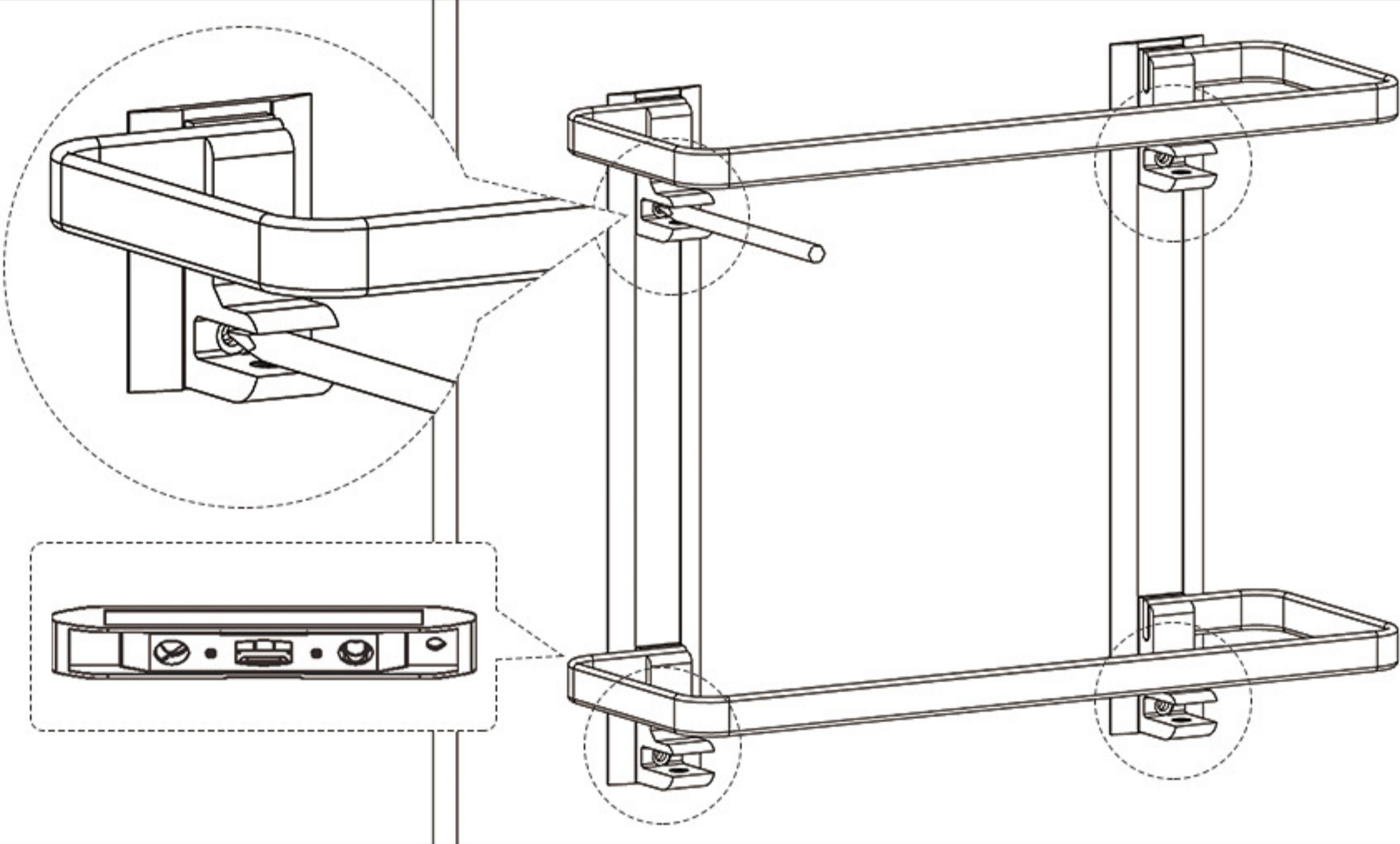
Max. load: 10 kg or 22 lbs (Screw-mounted on solid concrete wall)

1

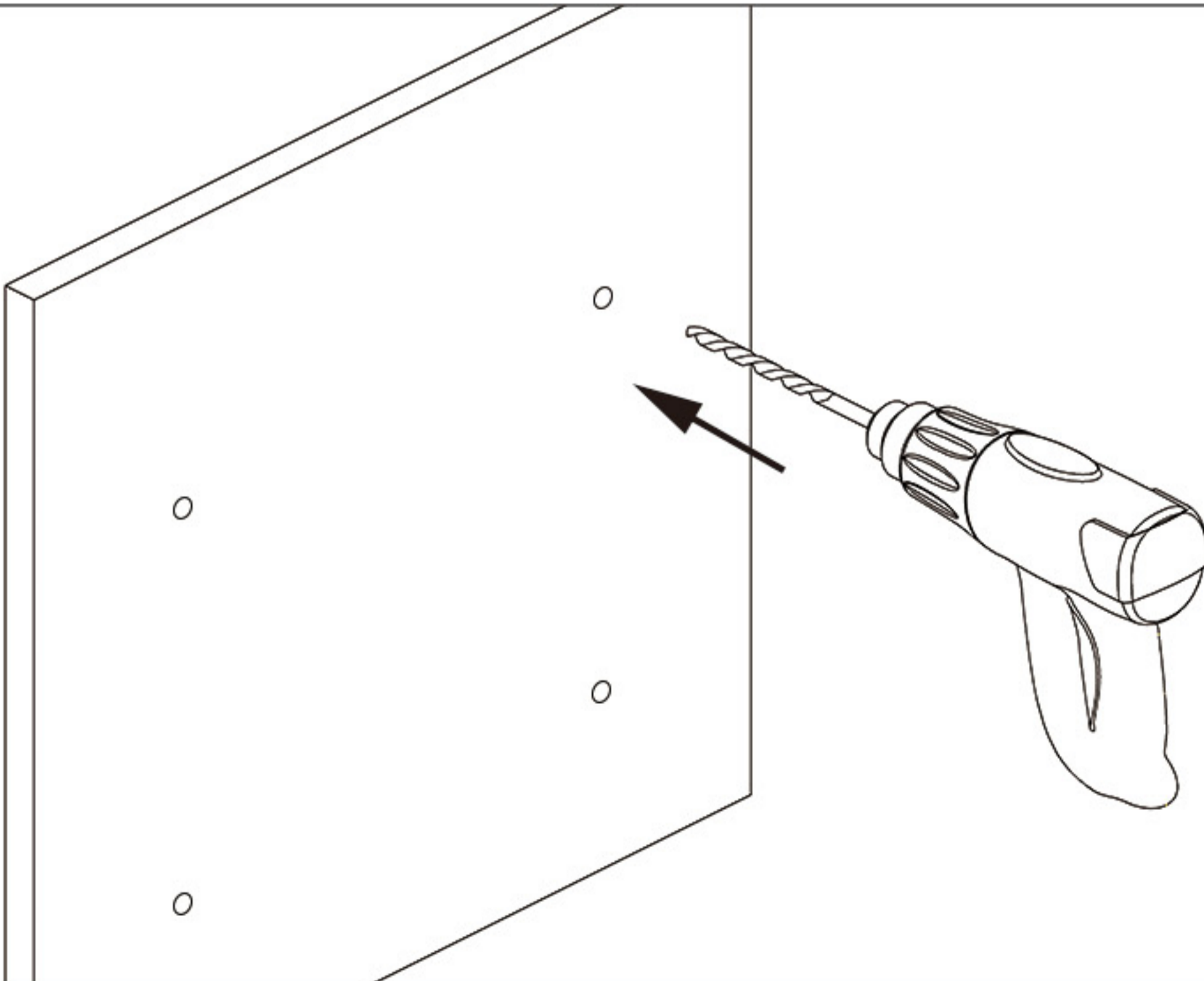


2

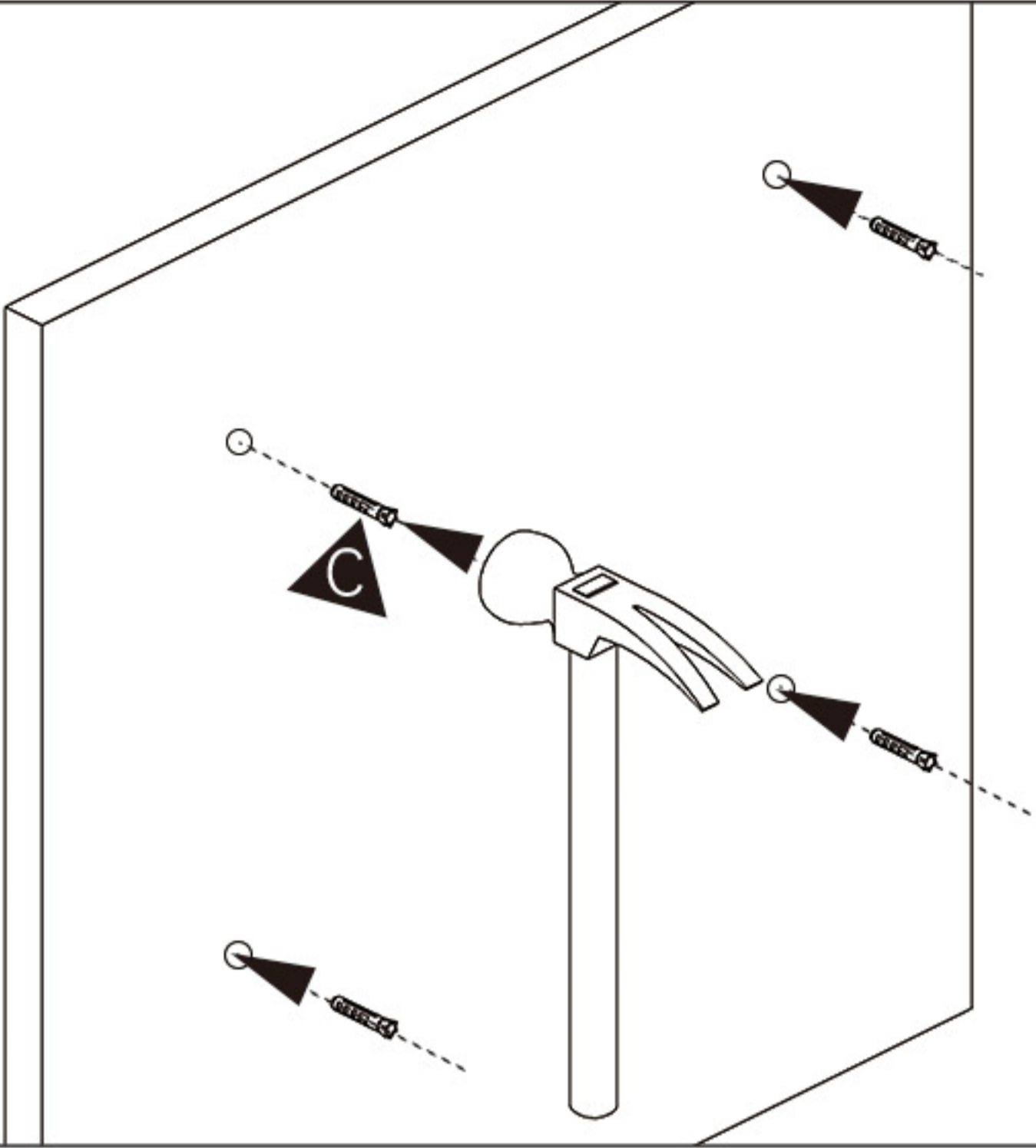
Level and mark the location.



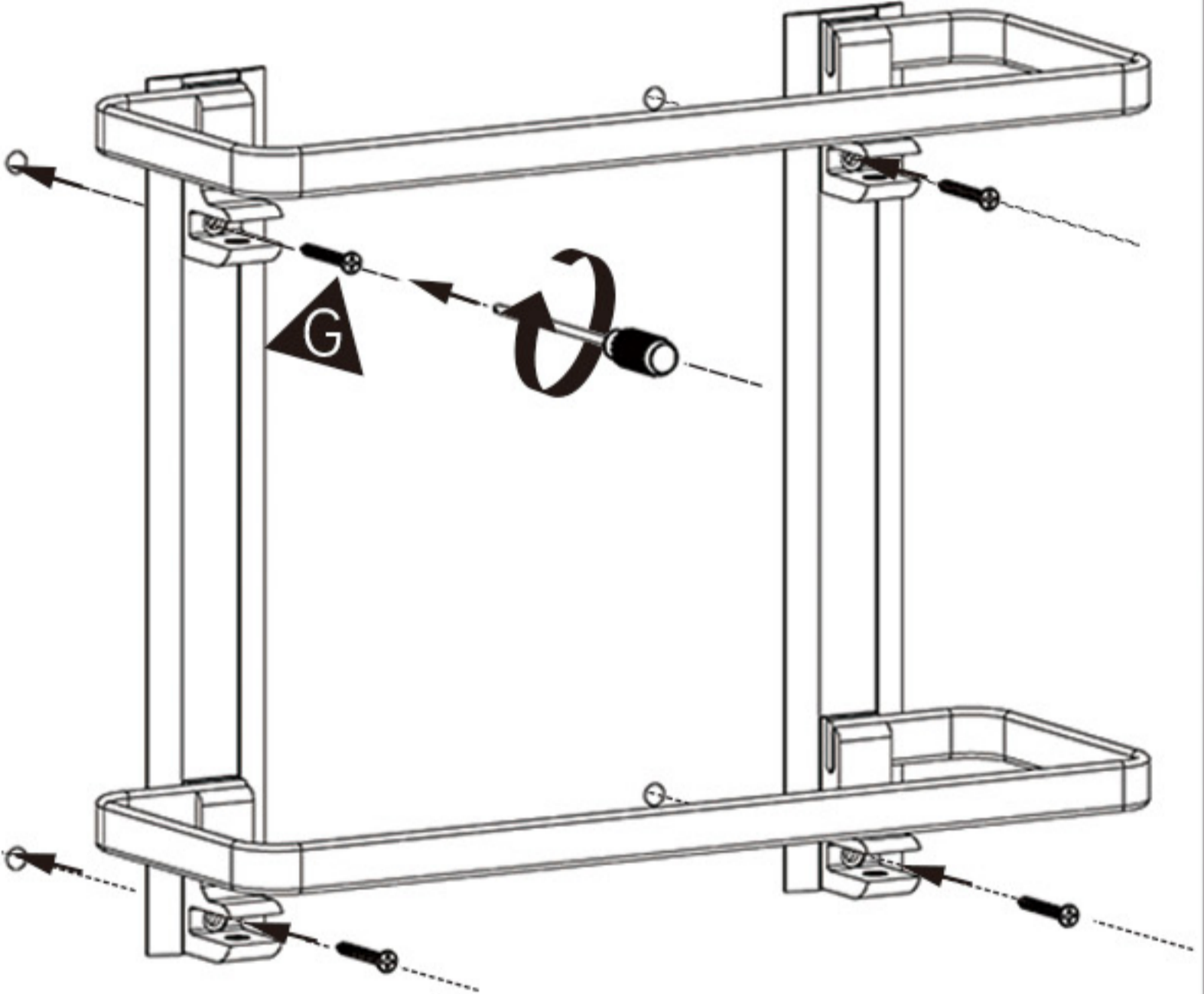
3



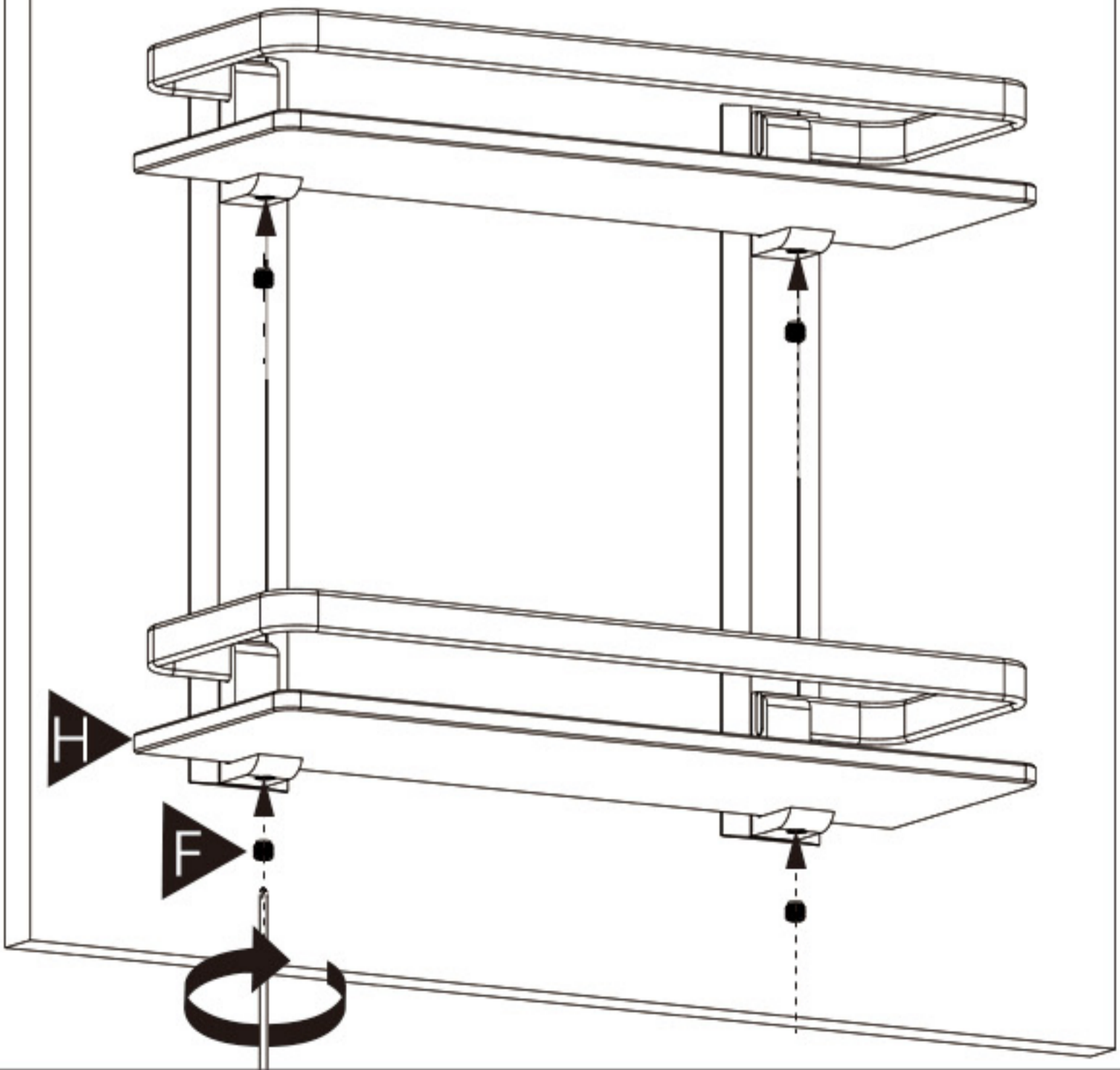
4



5



6





- EN** Warning:
Hard Metal Surface – Avoid Impact and Dropping.
- DE** Warnung:
Harte Metalloberfläche – Aufprall und Fallenlassen vermeiden.
- FR** Avertissement:
Surface en métal dur – Évitez les chocs et les chutes.
- ES** Advertencia:
Superficie de metal duro – Evite golpes y caídas.
- IT** Avvertenza:
Superficie metallica dura – Evitare urti e cadute.
- PL** Ostrzeżenie:
Twarda metalowa powierzchnia – Unikaj uderzeń i upadków.
- NL** Waarschuwing:
Harde metalen oppervlakte – Vermijd stoten en laten vallen.
- SV** Varning:
Hård metall-yta – Undvik stötar och att tappa.
- TR** Uyarı:
Sert Metal Yüzey – Darbe ve Düşürmekten Kaçınin.

ONE-YEAR LIMITED WARRANTY

We warrants its products purchased from authorized sellers to be free from defects in material and workmanship for one (1) year from the original date of purchase.

WHAT WE WILL DO

We will repair or replace, FREE OF CHARGE, during the one (1) year warranty period, any part that proves defective in material and/or workmanship under normal installation, use and service.

If repair or replacement is not practical, we may elect to refund the purchase price in exchange for the return of the product.

WHAT IS NOT COVERED

We shall not be liable for any damage to the product resulting from reasonable wear and tear, installation and maintenance errors, outdoor use, freezing water, abuse, misuse, and use of cleaners containing abrasive cleansers, ammonia, bleach, acids, waxes, alcohol or other organic solvents.

We is not responsible for removal, installation, labor charges, or other incidental or consequential costs. In no event shall the liability of exceed the purchase price of the product.

AND/OR SELLER ARE PROVIDING THESE WARRANTIES IN LIEU OF ALL OTHER WARRANTIES, EXPRESSED OR IMPLIED, INCLUDING BUT NOT LIMITED TO THE IMPLIED WARRANTIES OF MERCHANTABILITY AND FITNESS FOR A PARTICULAR PURPOSE. AND/OR SELLER DISCLAIM ALL LIABILITY FOR SPECIAL, INCIDENTAL OR CONSEQUENTIAL DAMAGES.

Some jurisdictions do not allow the exclusion or limitation of incidental or consequential damages, so these limitations and exclusions may not apply to you. This warranty gives you specific legal rights and you may also have other rights which vary from jurisdiction to jurisdiction.