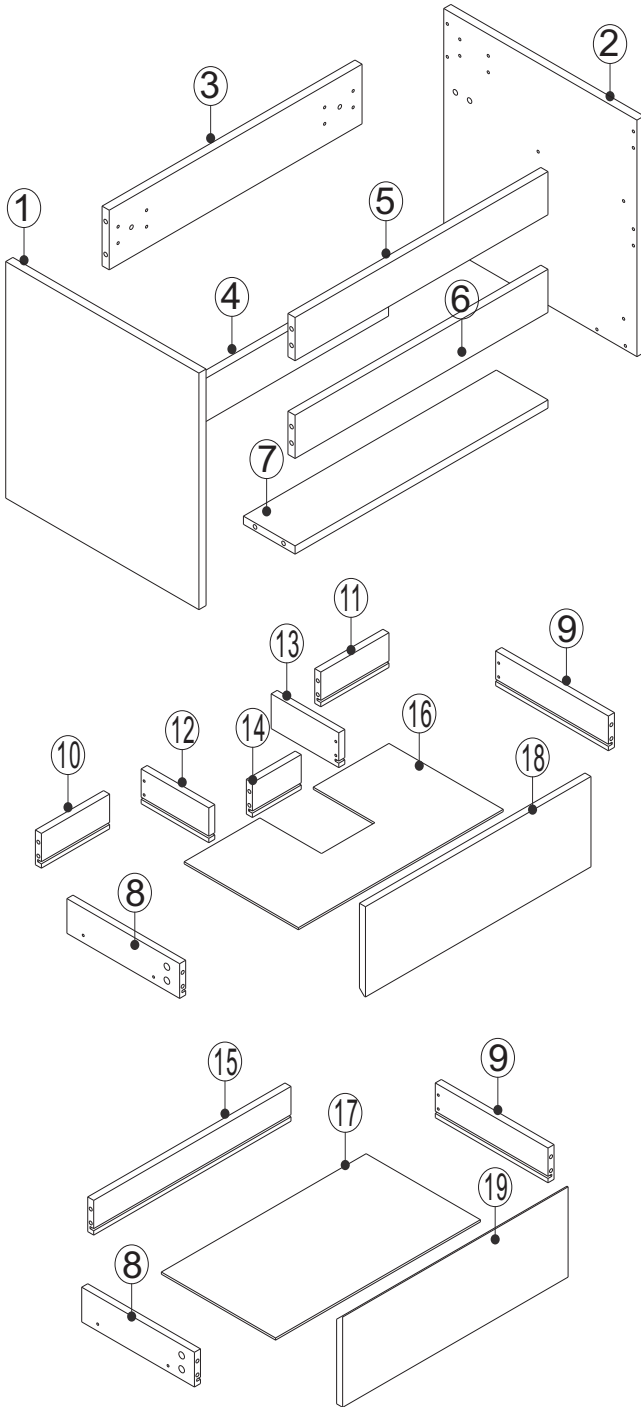






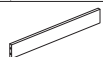





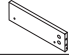
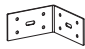
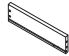









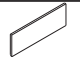



INSTALLATION INSTRUCTIONS

ASSEMBLY DIAGRAM

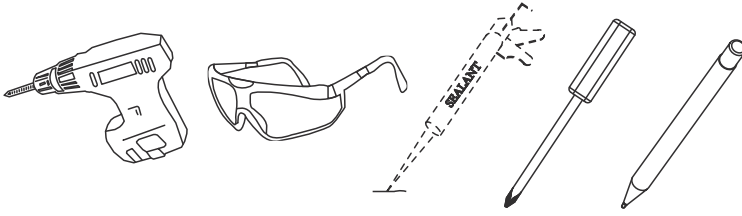


PARTS LIST

PARTS LIST			HARDWARE LIST		
No.	Description	QTY	No.	Description	QTY
1		1	20	 Three-in-one Connector	44
2		1	21	 Screws	32
3		1	22	 Slider	4
4		1			
5		1	23	 Hanger	2
6		1		 ST4x30 Screws	4
7		1		 ST4x50Screws	6
8		2	24	 Bracket	2
9		2	25	 Screws For Fix On The Wall	2
10		1			
11		1			
12		1			
13		1			
14		1			
15		1			
16		1			
17		1			
18		1			
19		1			


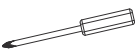
CAUTION: Please confirm the parts list before installation

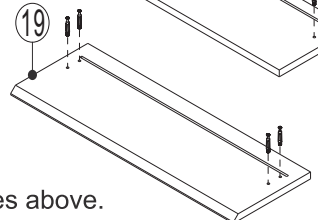
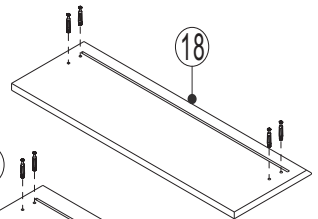
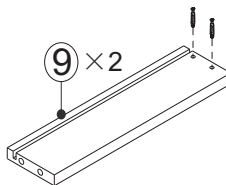
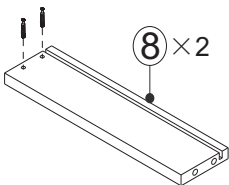
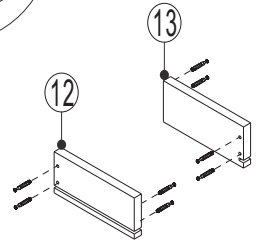
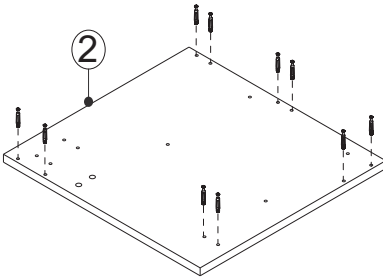
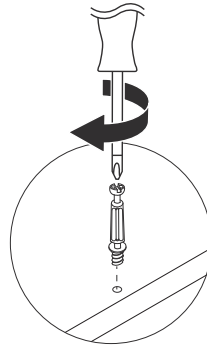
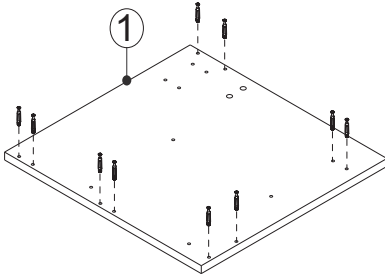
YOU MAY NEED (NOT SUPPLIED)



INSTALLATIONS

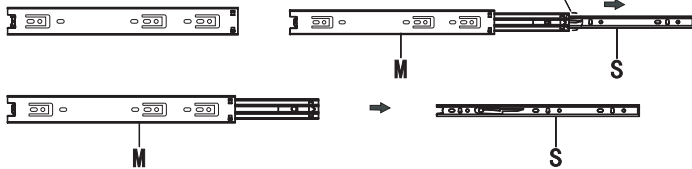
STEP 1

HARDWARE LIST	
20 	44 PCS
	

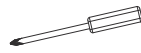


● Insert the Cam Screw into the shelves above.

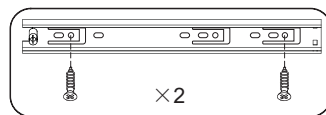
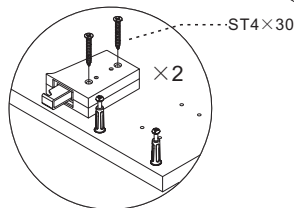
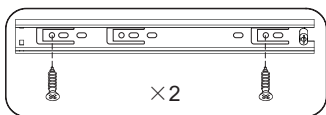
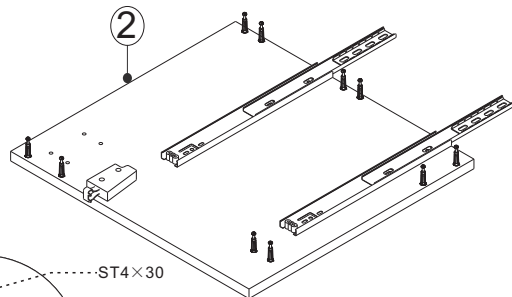
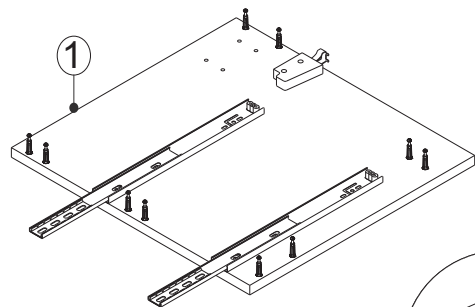
STEP 2



HARDWARE LIST	
21	8PCS
22	M 4PCS
23	2PCS
23	(ST4×30) 4PCS

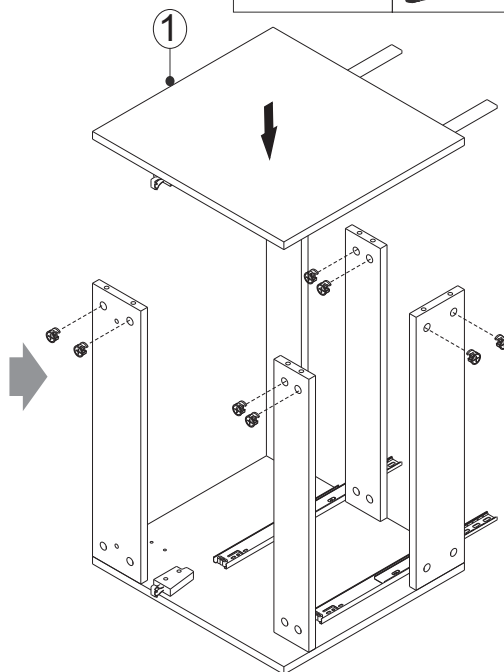
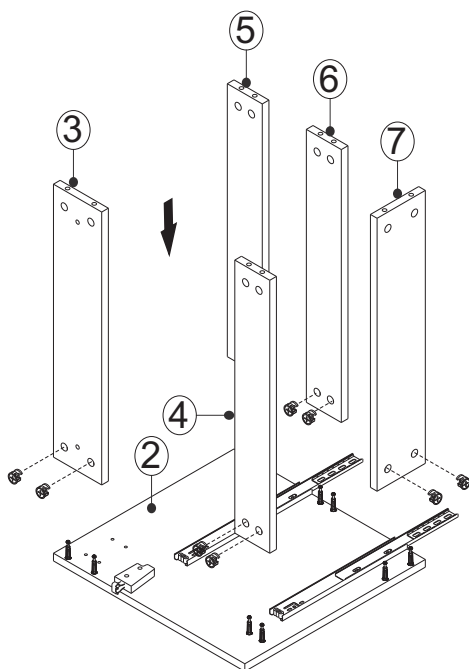
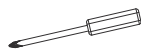


- Keep pressing here, then pull out to divide the slide.

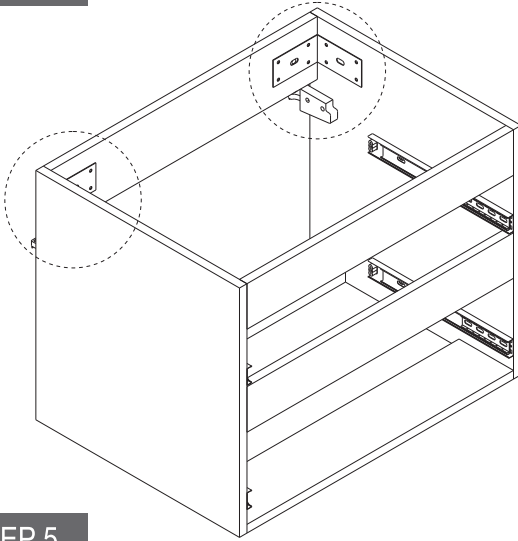


STEP 3

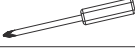
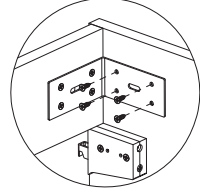
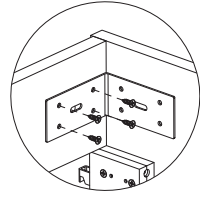
HARDWARE LIST	
20	20 PCS



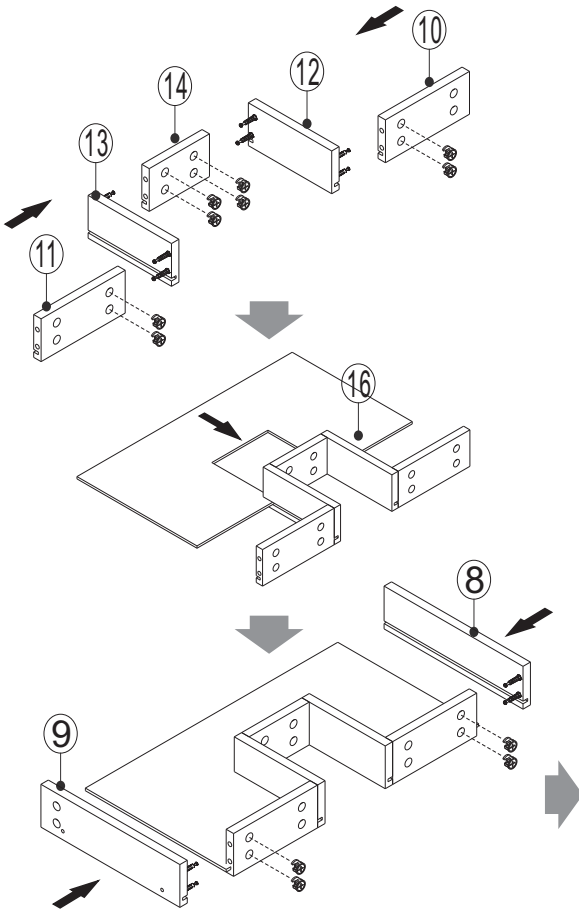
STEP 4



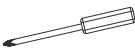
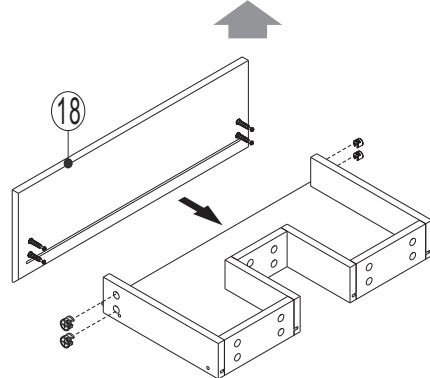
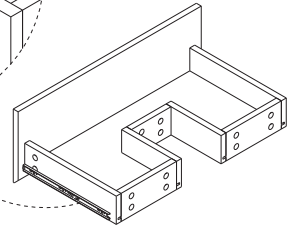
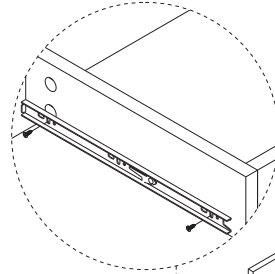
HARDWARE LIST		
24		2 PCS
21		16 PCS

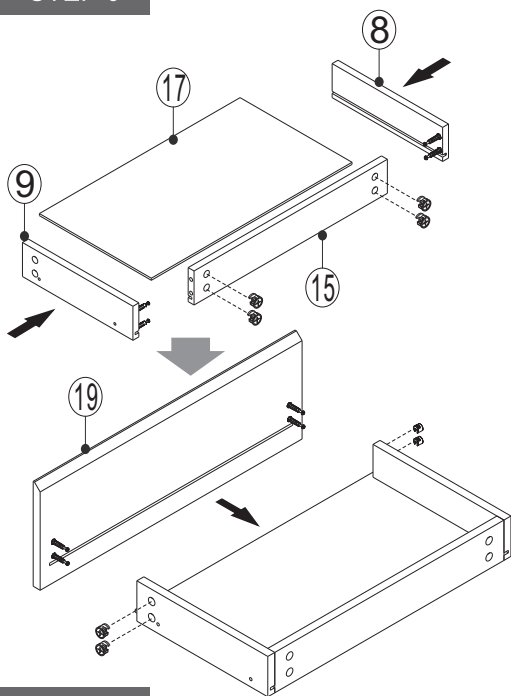
STEP 5



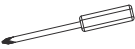
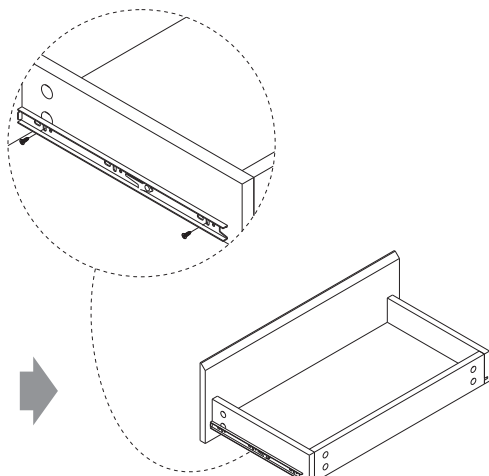
HARDWARE LIST		
20		16 PCS
21		4 PCS
22		2 PCS

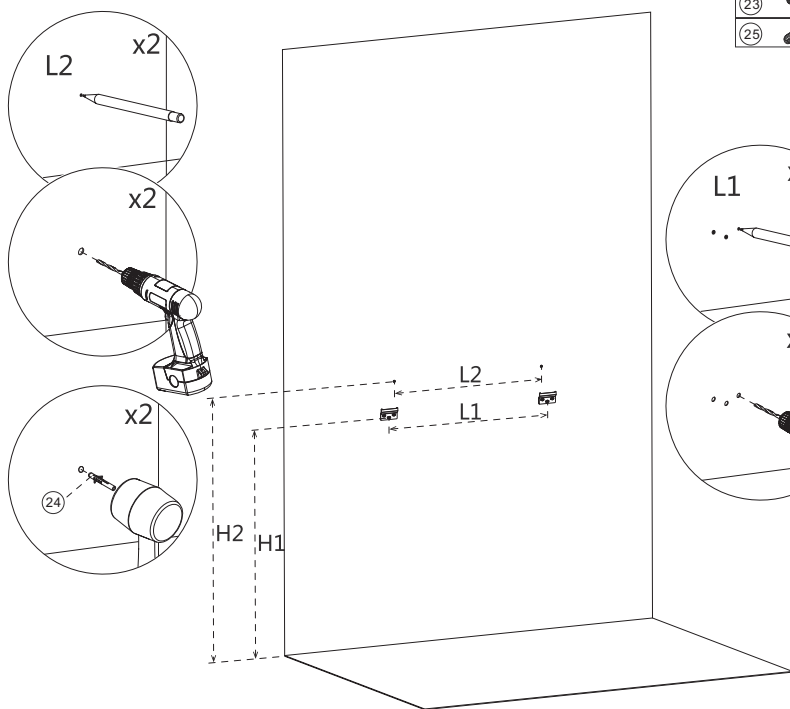
STEP 6



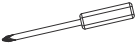

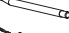

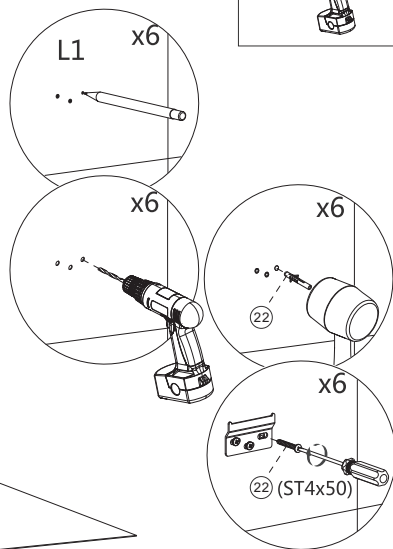
HARDWARE LIST		
20		8 PCS
21		4 PCS
22		2 PCS

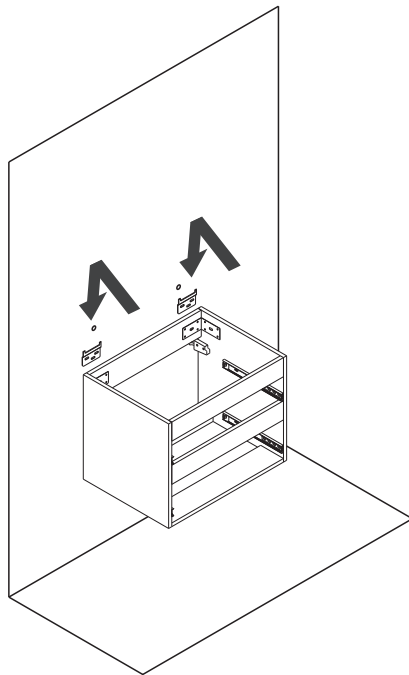
STEP 7



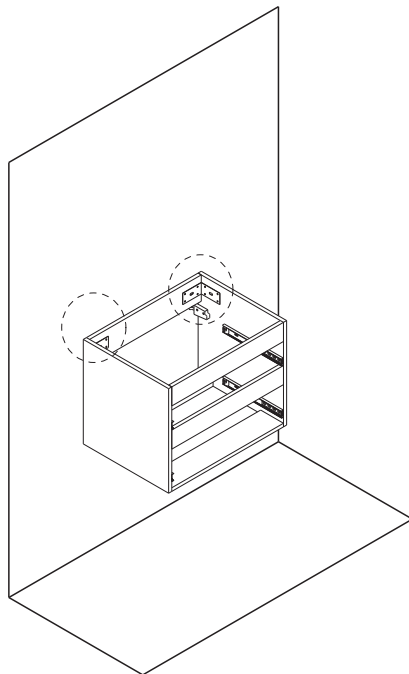
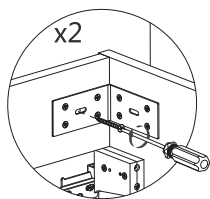
HARDWARE LIST		
23		2PCS
23		6PCS
23		6PCS
25		2PCS

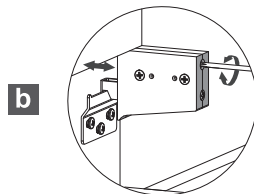
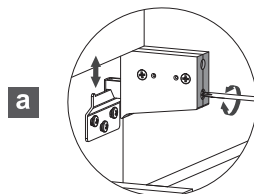
STEP 8



STEP 9

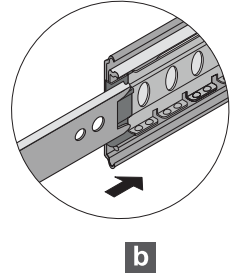
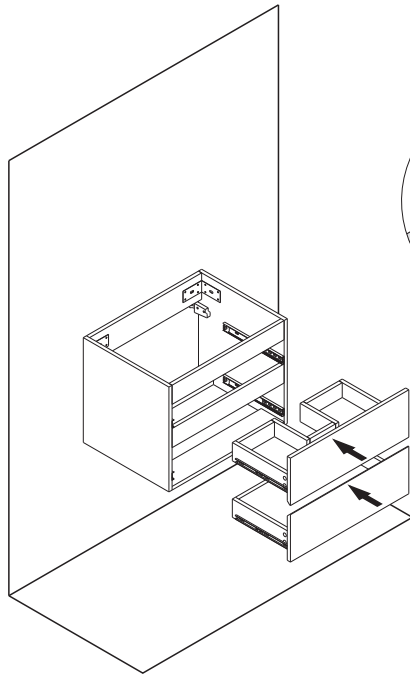
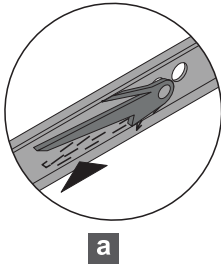


HARDWARE LIST	
(25)  2PCS	



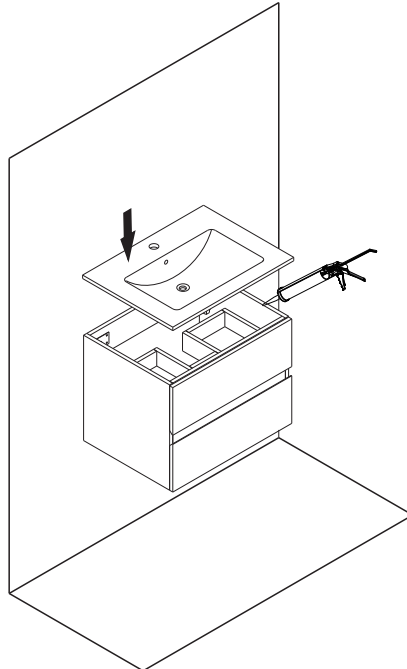
- Through the screw to adjust position of the hanger
 - a** up and down
 - b** front and back

STEP 10



- Assembled drawers are loaded onto cabinet

STEP 11



silicone transparent

CARE AND CLEANING

1. Many cleansers contain abrasive and chemical substance which is not suitable for cleaning stainless steel, enamel, plating or plastic products. You may use mild cleansers or soaps to clean the surfaces. Wipe any splashes of cleaner solutions from the surface with a clean soft cloth.
2. Maintain ventilation in the bathroom and separate the dry area from the damp one if conditions permit. Try to open the door and windows of the bathroom to maintain adequate ventilation.
3. This cabinet is built to withstand normal bathroom humidity. For best results, keep this vanity dry and take necessary steps to minimize bathroom humidity by opening windows and doors and using the exhaust fan (if available).
4. To maintain the cabinet door, clean and wipe the door regularly with a soft cloth. Wipe condensation with a dry, soft cloth. Keep away from high temperatures.
5. Please do not sit, lean or step on the basin cabinet.