

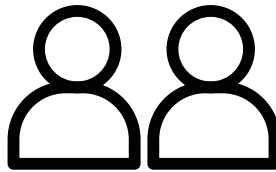
ASSEMBLY INSTRUCTION

QUEEN BED

Please carefully review these instructions and retain them for future reference. Consult the parts inventory for assistance and verify that you have all components before beginning assembly. When assembling, place all parts on a soft, clean, and flat surface, such as a carpet, to avoid scratching. Store all hardware parts out of the reach of children.



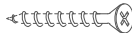
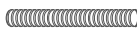







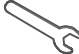
DO NOT USE POWER TOOLS, AS THIS COULD LEAD TO BOLTS BEING STRIPPED OR OVER-TIGHTENED.



USE 2 PEOPLE FOR INSTALLATION



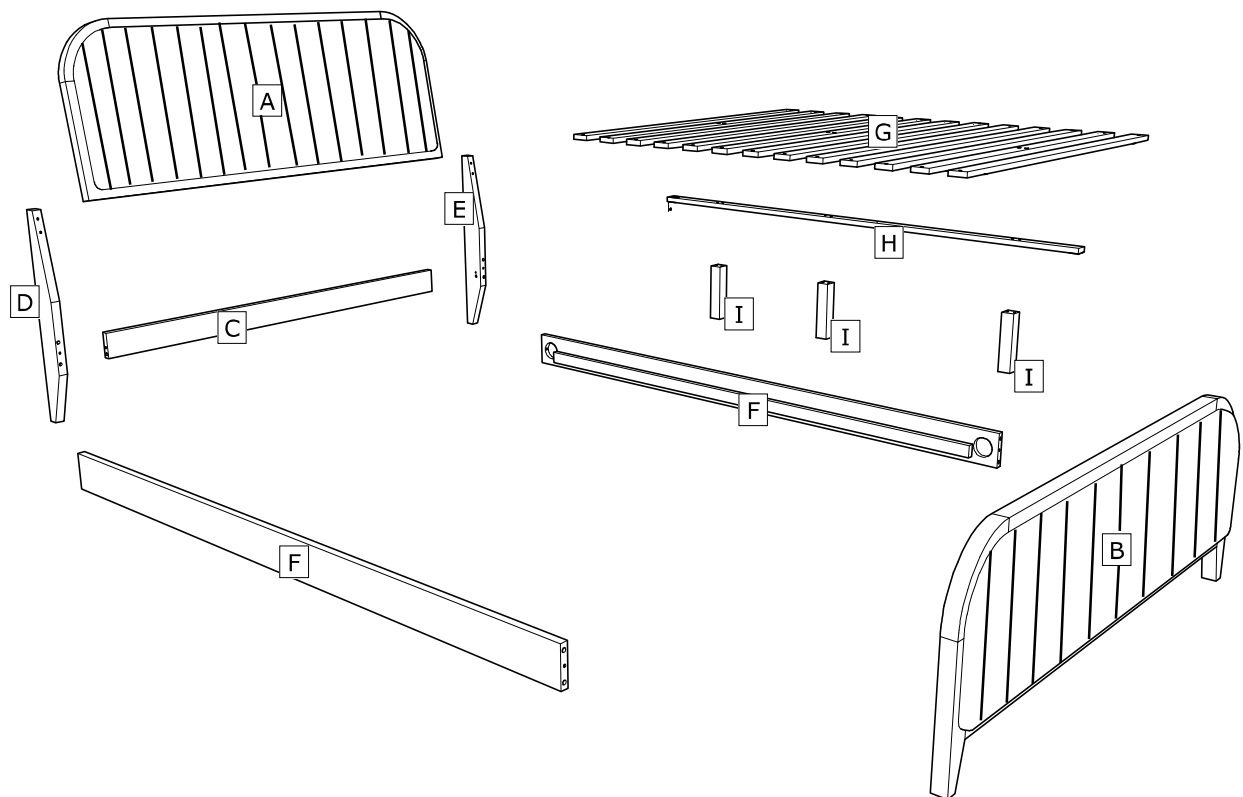
REQUIRED TOOL NOT INCLUDED

NO	HARDWARE LIST	QTY
1	CSK M4x32MM 	26
2	JCBB M8x65 	6
3	JCBB M6x60 	6
4	WOOD DOWEL 	10
5	HEX NUT M8 	6
6	BEND WASHER 	6
7	JCBC M6x35MM 	4
8	ADJUSTABLE 	3
9	ALLEN KEY M4 	1
10	SPANNER M8 	1

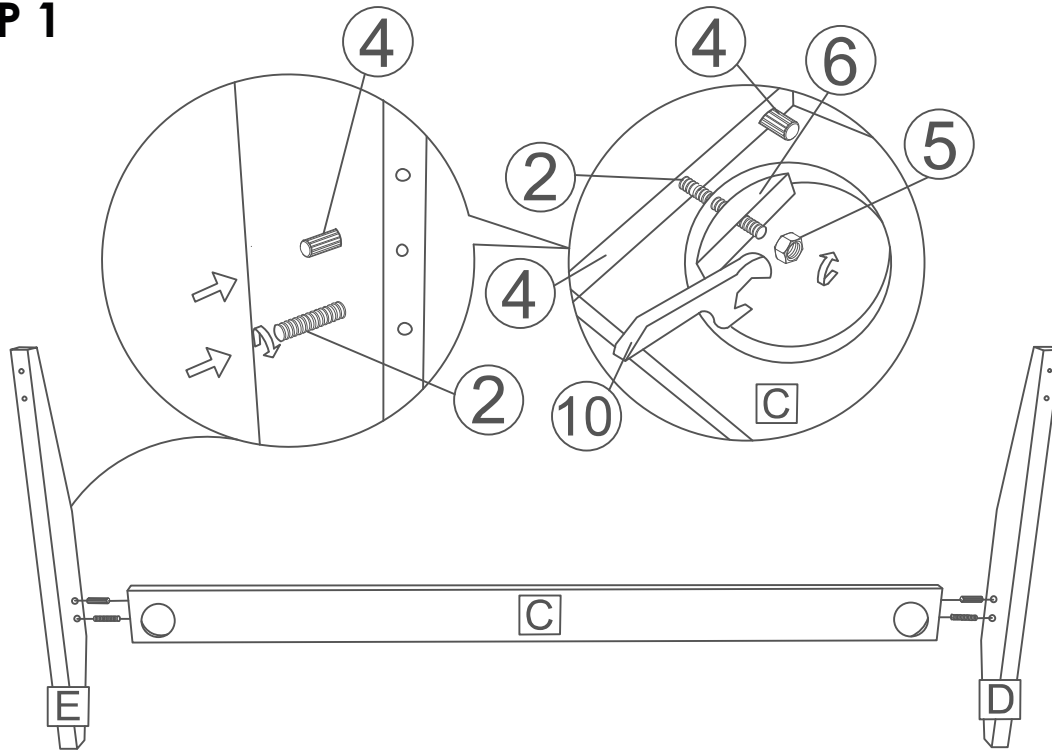
ASSEMBLY INSTRUCTION

QUEEN BED

NO	PART LIST	QTY
A	HEADBOARD	1
B	FOOTBOARD	1
C	HEADBOARD RAIL	1
D	HEADBOARD POST - LEFT	1
E	HEADBOARD POST - RIGHT	1
F	SIDE RAIL	2
G	BED SLAT	13
H	SLAT SUPPORT	1
I	SUPPORT LEG	3



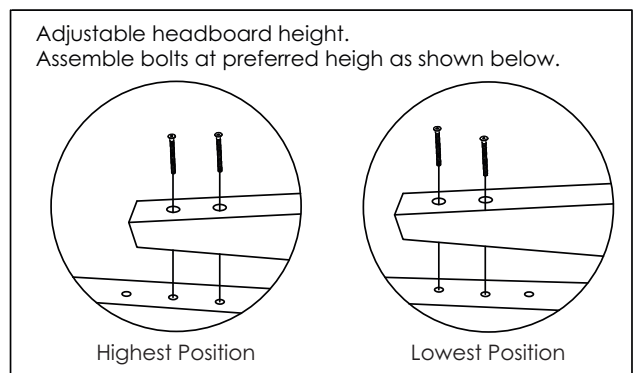
STEP 1



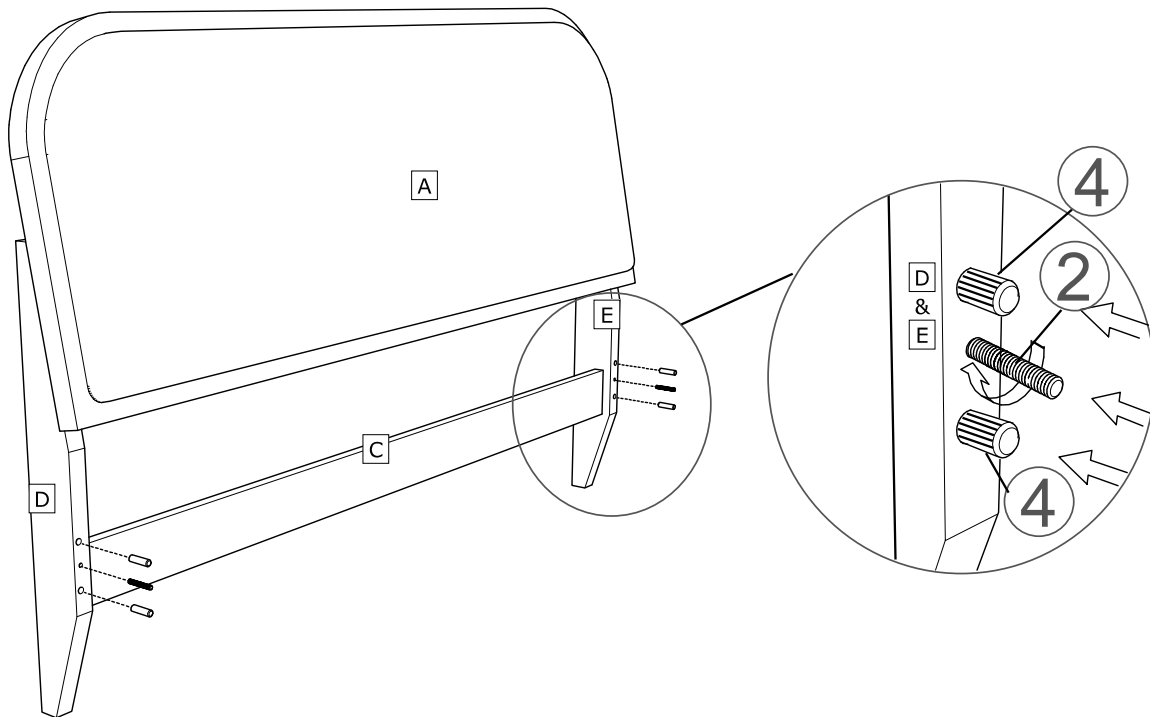
STEP 2

Warning!

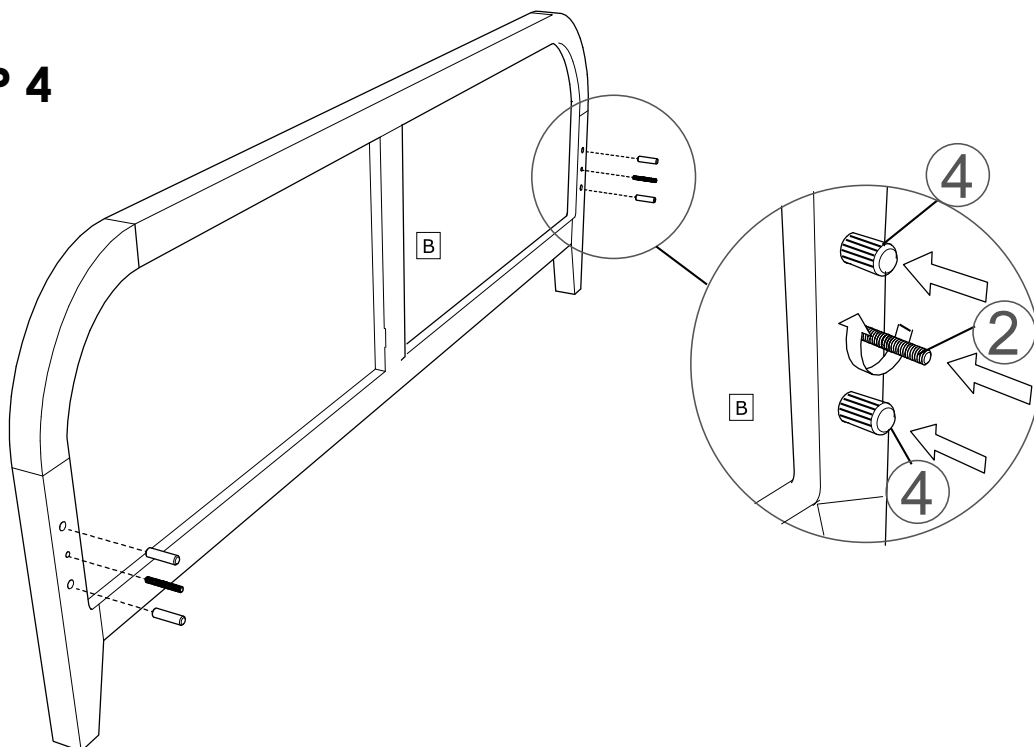
Do not use power tools to tighten the bolts.
Hand tighten bolts to secure the headboard safely.



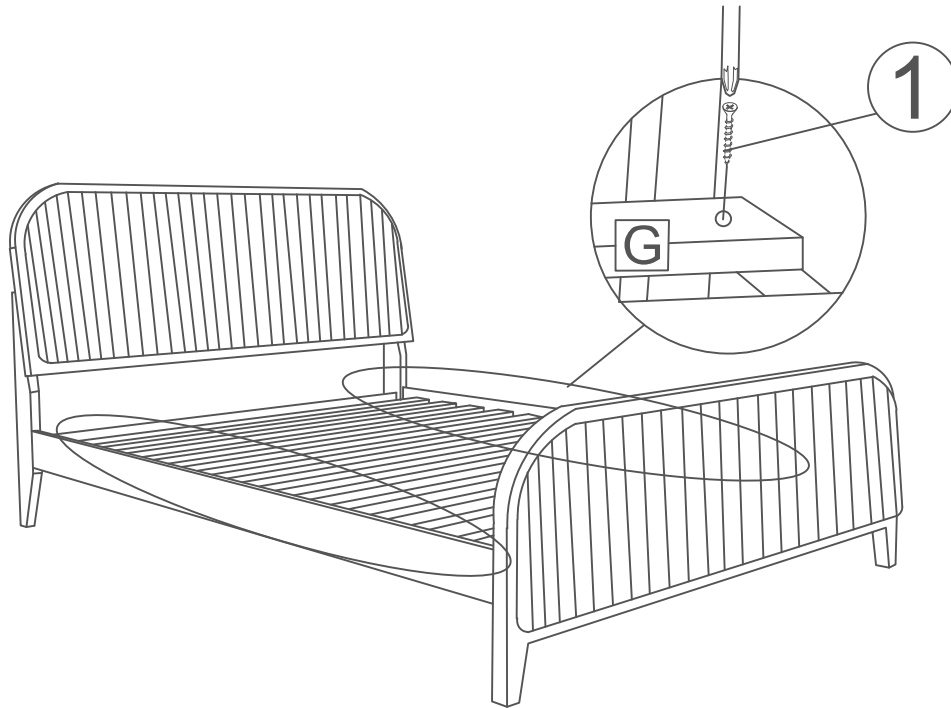
STEP 3



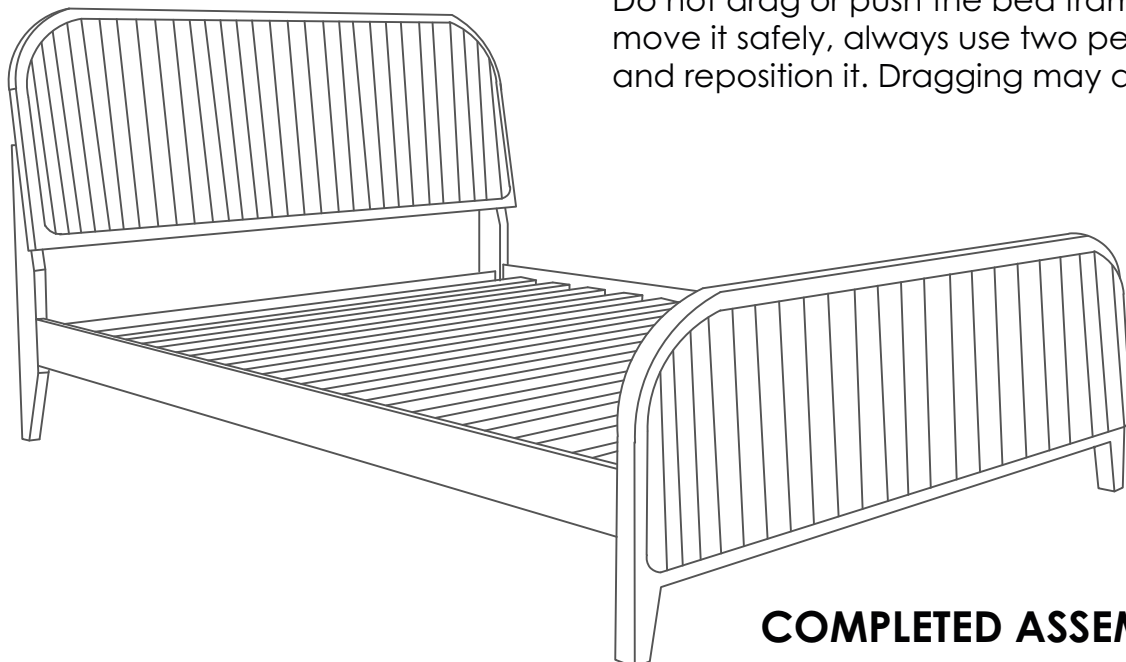
STEP 4



STEP 7



STEP 8



Warning!

Do not drag or push the bed frame. To move it safely, always use two people to lift and reposition it. Dragging may damage

COMPLETED ASSEMBLY

IMPORTANT INFORMATION

The seller and manufacturer disclaim all liability for property damage, personal injury, or loss, whether direct, indirect, or incidental, arising from incorrect assembly, inadequate maintenance, improper use, or neglect of this product.

- Retain these assembly instructions for future reference.
- Inspect all packing materials carefully to locate any small hardware that may have shifted during shipment.
- Verify and count all hardware and parts against the provided parts list. Handle parts with care, as some may have sharp edges or be heavy.
- Do not use the product if any parts are missing, damaged, or broken. Repairs or factory replacement parts must be installed before use.
- Follow the assembly instructions carefully, as improper assembly may result in injury or property damage.
- Place all wooden furniture parts on a clean, flat, and soft surface to prevent scratches.
- Ensure all bolts are fully secured before use.
- Recheck and tighten all bolts every few months.
- Avoid using or storing the product near open flames or flammable chemicals.
- If placing the product on non-carpeted flooring, use floor protection such as an area rug or furniture pads (not included with purchase).
- Do not drag or push the bed frame. To move the frame safely, always lift and reposition it with the help of two people. Dragging or pushing may cause damage to the legs, slats, or center support legs.
- If a replacement part is needed, contact the retailer where the product was purchased and include relevant images for reference.