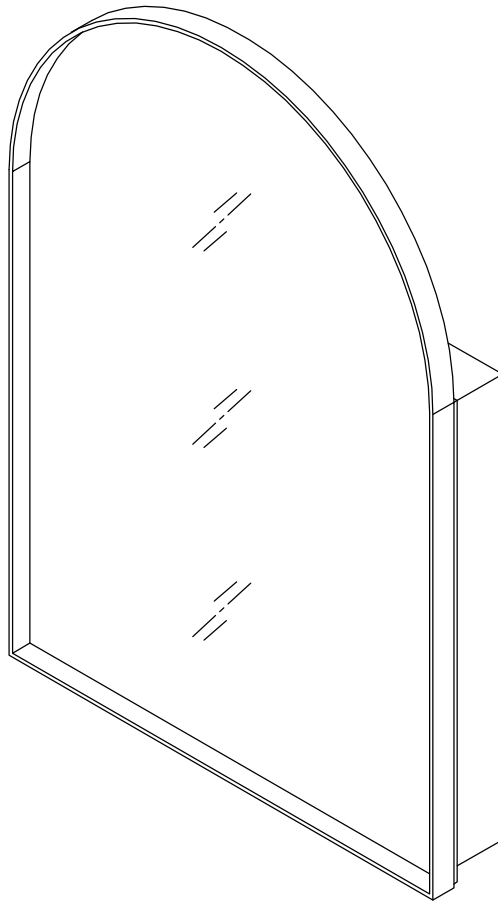
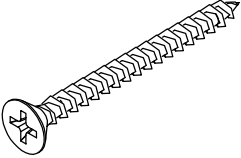
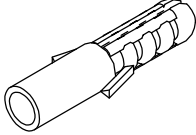
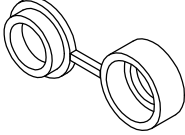
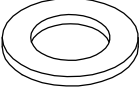
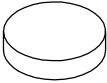
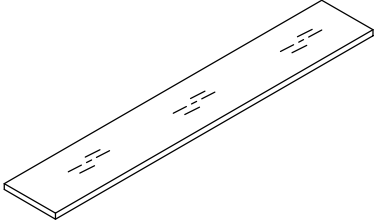


MEDICINE CABINET

Installation Guide

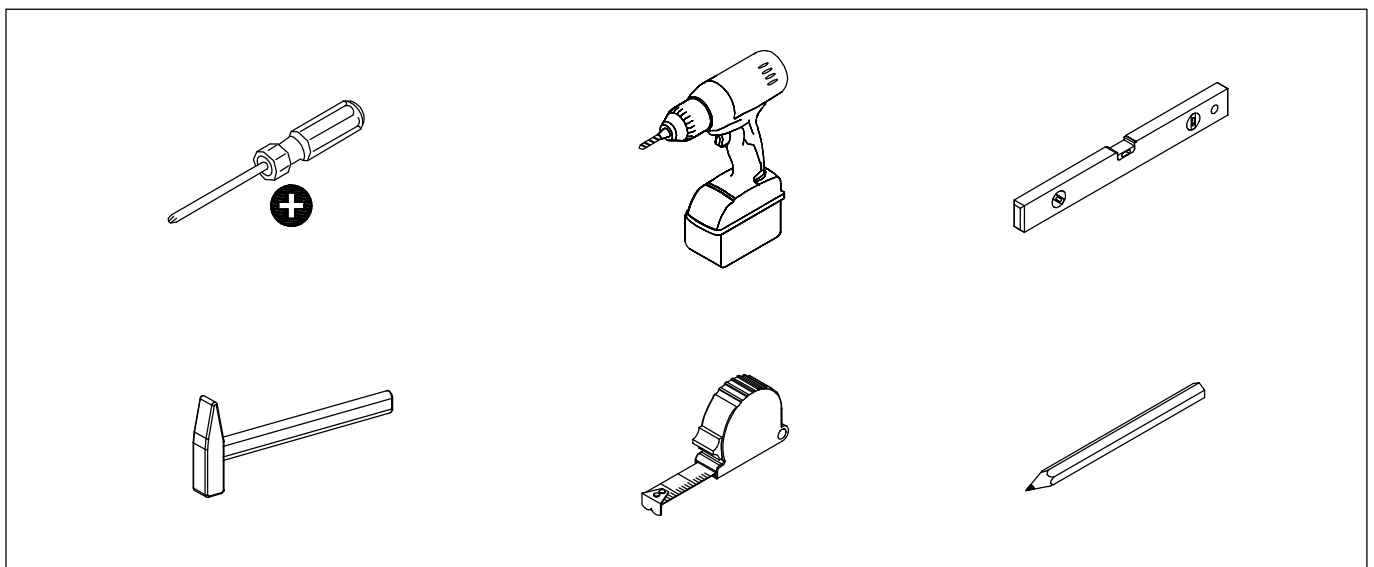


List of Parts

<p>A 8pcs</p>  <p style="text-align: center;">Screws</p>	<p>B 8pcs</p>  <p style="text-align: center;">Rubber plug screws</p>	<p>C 8pcs</p>  <p style="text-align: center;">Screw cover</p>
<p>D 8pcs</p>  <p style="text-align: center;">Screw washers</p>	<p>E 12pcs</p>  <p style="text-align: center;">Rubber mat</p>	<p>F 2pcs</p>  <p style="text-align: center;">Glass shelf</p>

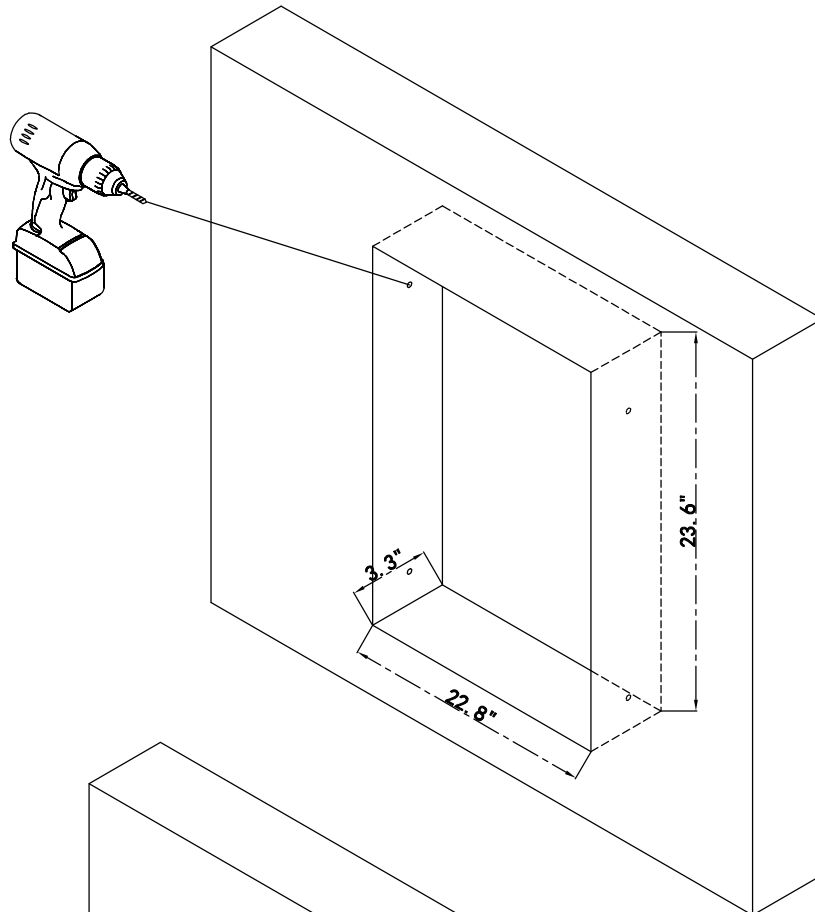
Please make sure all the parts are included.
 Missing parts? Reach out to wf1_us@csbdhome.com for free replacement

Additional Tools Required

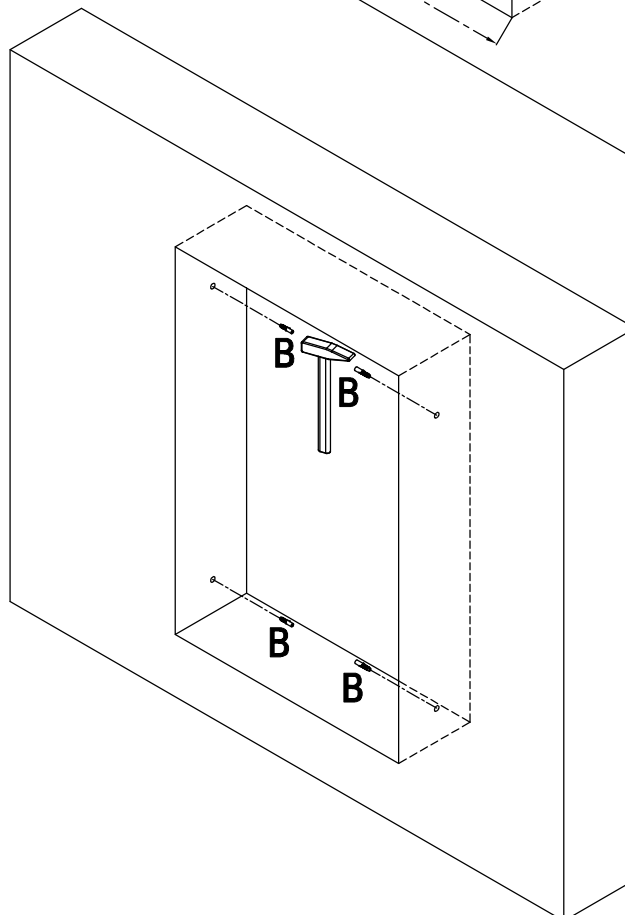


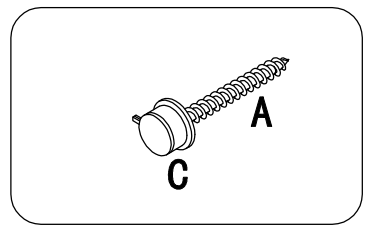
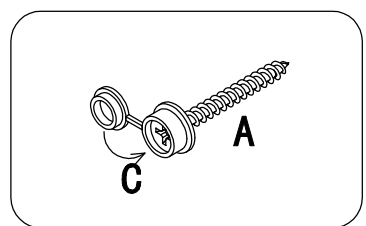
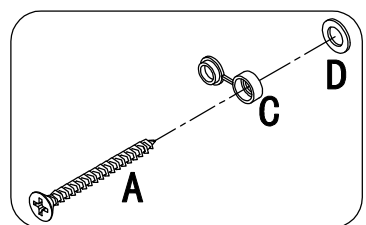
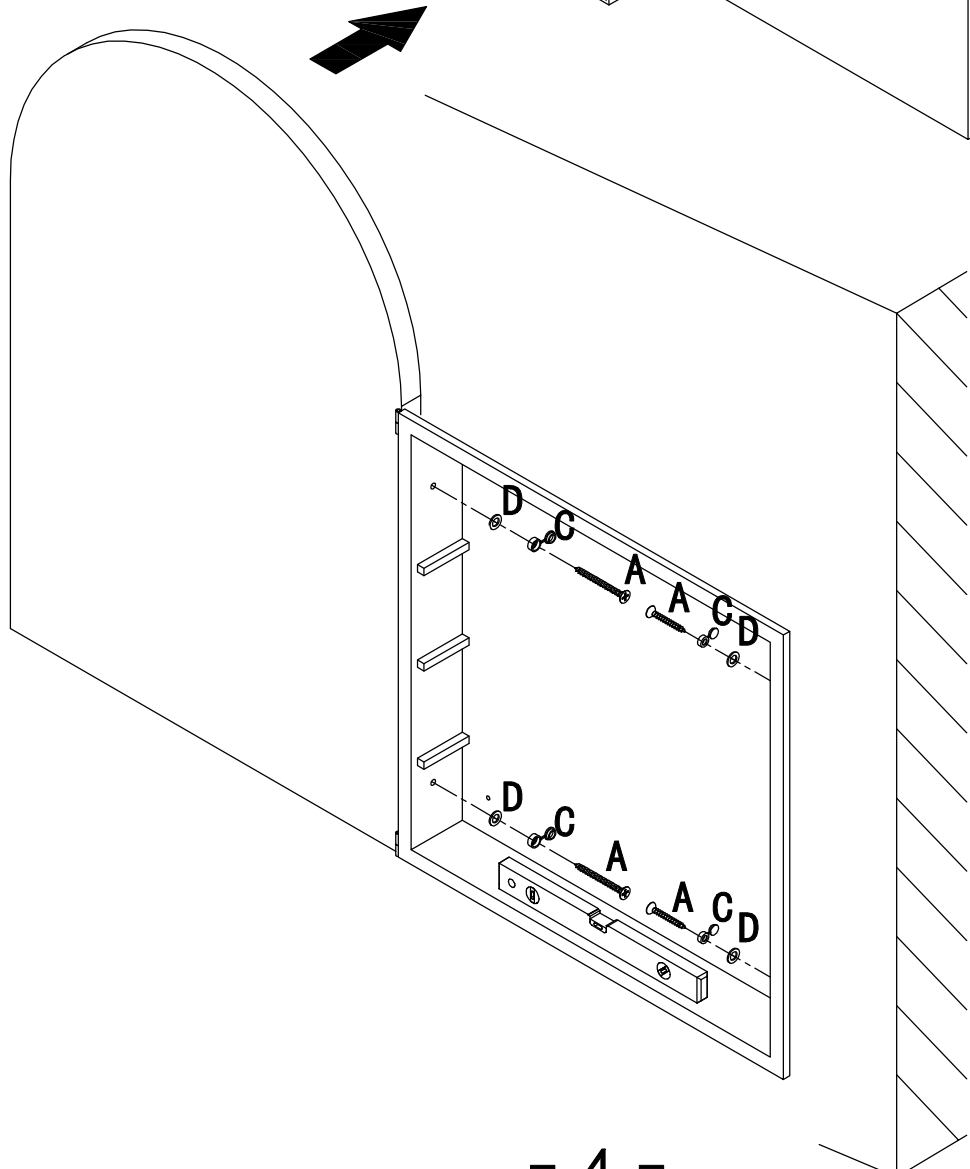
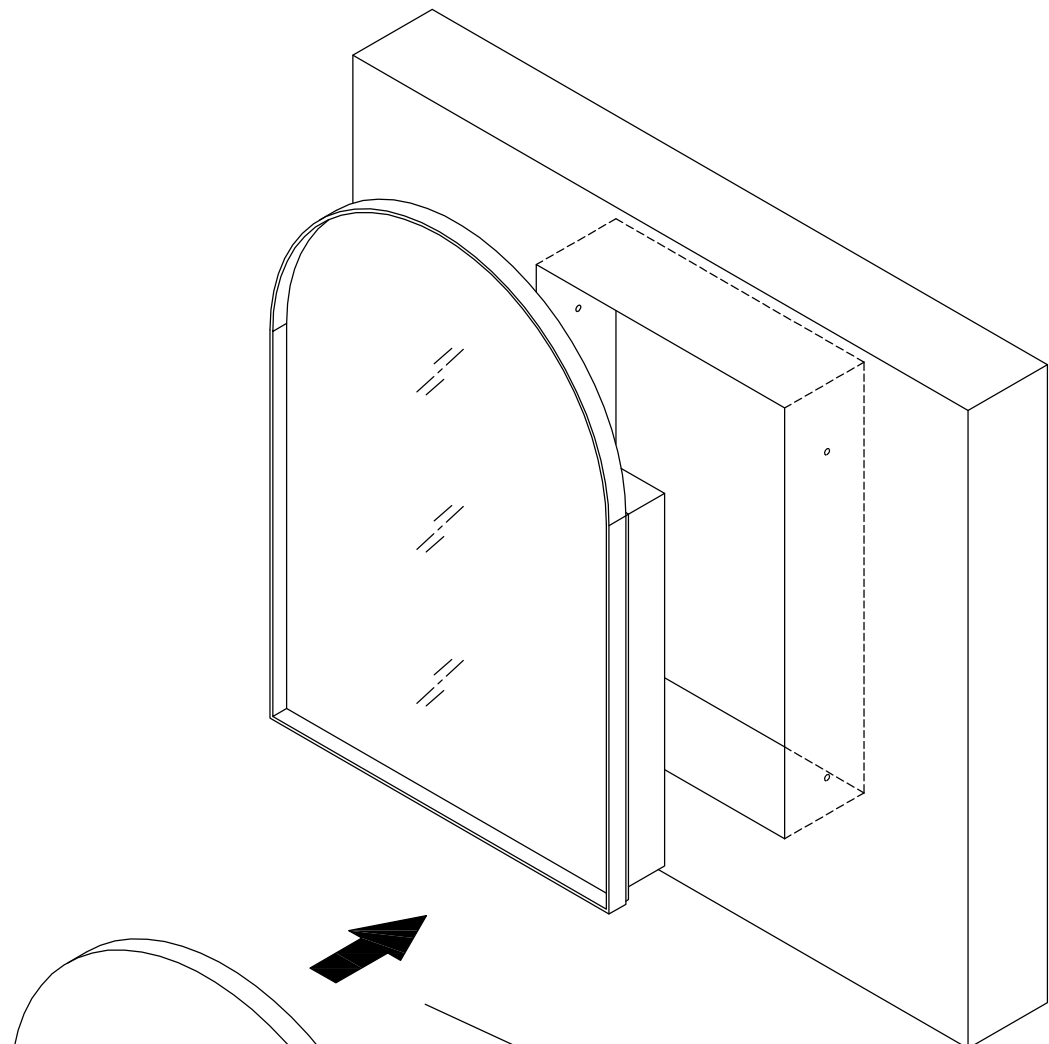
Rough Wall Opening

Overall Size	Rough Wall Opening
24 in.(W) X 36 in.(H) X 4.5 in.(D)	22.8 in.(W) X 23.6 in.(H) X 3.3 in.(D)



Mark four (4) mounting holes on the wall corresponding to the pre-drilled hole locations in the mounting bars on the inside back panel of the cabinet.





Surface installation

Mark four (4) mounting holes on the wall corresponding to the pre-drilled hole locations in the mounting bars on the inside back panel of the cabinet.

