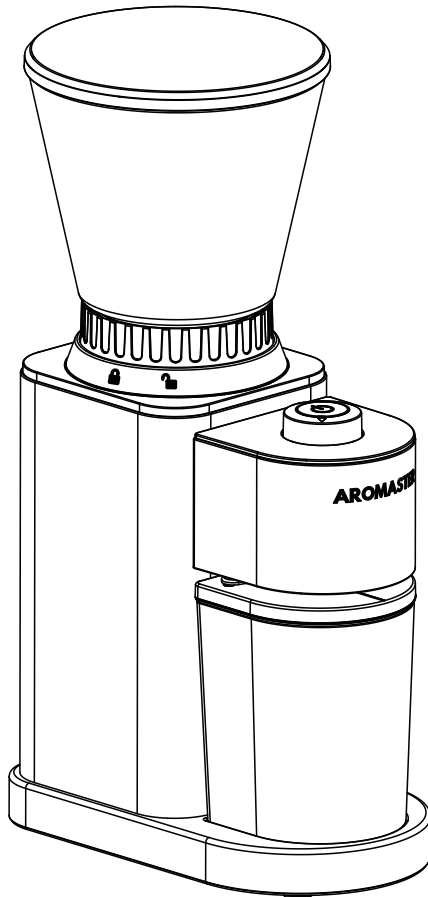


COFFEE GRINDER INSTRUCTION MANUAL

Model: CG204



Read this manual thoroughly before using and
save it for future reference.

**REGISTER
NOW!**

for an additional

**12^{months}
Warranty**

As a special thank-you for registering your aromaster unit, you'll automatically receive an additional 12 months added to your limited manufacturer's warranty!

All you need to do is send your Amazon order ID to our Email:
support@aromaster.net.



FREE upgrade to FULL Replacement Guarantee - no need to return.



Once registered, you will be ensured that if anything goes wrong with your product, we will either send you a brand new unit as a replacement (Absolutely FREE) or provide a FULL refund of your order.



Just send your Amazon Order ID to Email support@aromaster.net to activate the extended warranty.



Send:

support@aromaster.net

Subject:

Warranty

Amazon Order ID: XXX-XXXXXXX-XXXXXXX

NOTE: Must register within 7 days after receiving your new product.

CONTENTS

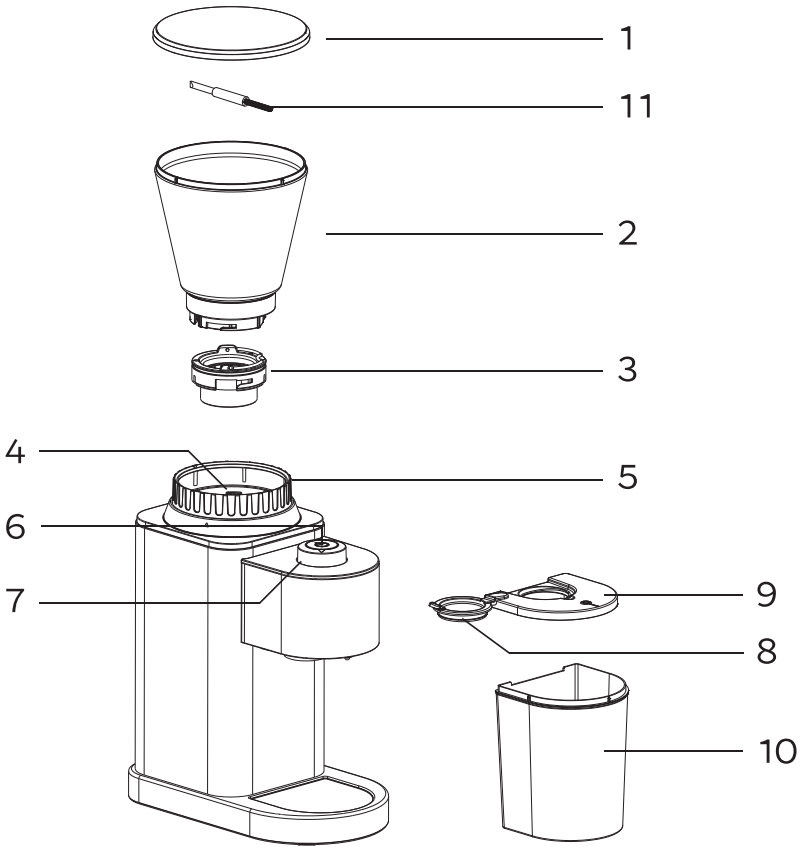
IMPORTANT SAFEGUARDS	01
I. PARTS IDENTIFICATION	02
II. OPERATION	03
III. ASSEMBLY	03
IV. INITIAL OPERATION	05
To Set Grind Size	05
Grinding Size Setting Recommendations	05
To Grind Coffee	05
To Remove Hooper	06
Coffee Grinder Use Tip	06
V. CARE AND CLEANING	06
VI. SAFETY INDEXES	08
VII. TROUBLESHOOTING	09
VIII. WARRANTY	10

IMPORTANT SAFEGUARDS

Before using the electrical appliance, the following basic precautions should always be followed including the following:

1. Read all instructions. Use this product only as described in this manual.
2. Keep the packaging material (cardboard, plastic, etc.) out of the reach of children (danger of asphyxiation or injury).
3. To protect against electrical shock, do not immerse the power plug, power cord or grinder in water or any other liquid.
4. Close supervision is necessary when any appliance is used by or near children.
5. Always use the appliance on a dry, level surface.
6. Do not place the appliance near the edge of a bench or table during operation. Vibration during operation may cause the appliance to move.
7. Do not place the appliance on or near a hot gas or electric burner, or where it could touch any other source of heat.
8. Do not allow the power cord to hang over the edge of a table or counter, touch hot surfaces or become knotted.
9. Avoid contact with moving parts.
10. Check the bean hopper for presence of foreign objects before using.
11. Do not put any substances other than coffee beans and grinder cleaner into the Grinder.
12. Unplug from outlet when not in use, before putting on or taking off parts, and before cleaning.
13. Do not use appliance without lid properly placed on hopper.
14. Keep area around scale clean to ensure proper function.
15. The use of attachments not sold or recommended by AROMASTER may cause fire, electric shock or injury.
16. Do not leave the appliance unattended when in use.
17. This appliance is not intended for use by young children without supervision. Young children should be supervised to ensure that they do not play with the appliance.
18. Regularly inspect the power plug, power cord, burrs and appliance for any damage. Do not operate if damaged in any way or after the appliance malfunctions. Immediately cease use of the appliance and contact after sales email: support@aromaster.net.
19. This appliance is for household use only. Do not use the appliance for anything other than its intended purpose as described in this manual. Do not use outdoors. Do not use in moving vehicles or boats.
20. Do not use outdoors.

I. PARTS IDENTIFICATION



Note: The cleaning brush can be only used for cleaning the appliance after use.

- 1. Hopper lid
- 2. Bean hopper
- 3. Removable Ring Burr
- 4. Center Cone Burr
- 5. Grinding Setting ring
- 6. On/Off Button
- 7. Time Select Knob
- 8. Sealing cover
- 9. Grinding Chamber lid
- 10. Grinding Chamber
- 11. Cleaning brush

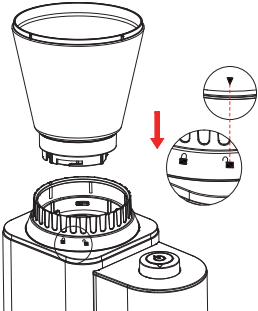
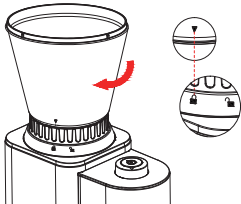
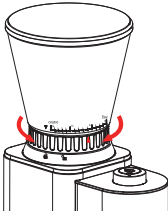
Caution: The Bean hopper can not be used for storing coffee beans and the Grinding Chamber can not be used for storing ground coffee. Please empty the coffee beans in the Bean hopper and the ground coffee in the Grinding Chamber after grinding finished.

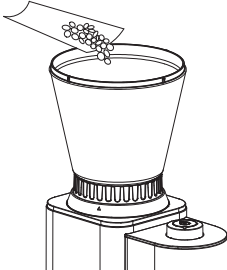
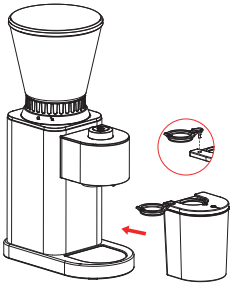
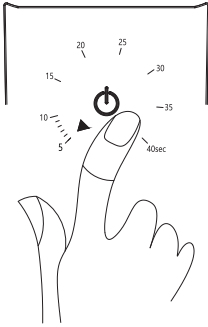
II. OPERATION

Important to know before using your grinder.

1. Be sure all parts are washed, dried, and clean. If you need further instructions, check out the **CARE AND CLEANING (Page 6.)**
2. You should Wash the bean hopper and Grinding Chamber in warm soapy water for better using your grinder for the first time.
3. Be sure to fully dry these parts before re-installing. See the section on **CARE AND CLEANING (Page 6.)** for instructions on how to remove and reinstall these parts. There may be some rust or discoloration on the burrs when you receive your grinder. This is normal and will disappear after a small amount of coffee has been ground. To remove the rust and season the burrs, grind 50 grams of coffee and discard.

III. ASSEMBLY

1		Install the Bean hopper into the correct position of the appliance. Align the icon “▽” at the button of bean hopper with the icon “△” of main body.
2		Rotate the Bean hopper clockwise to lock it.
3		Rotate the Grinding Setting ring to adjust the grind size setting (1 = fine, 24 = coarse). If you need further instructions, check out the To Set Grind Size (Page 5.)

4		<p>Add coffee beans (freshly roasted) and replace the lid.</p>
5		<p>Use with Grinding Chamber: Put the Grinding Chamber (with the sealing ring opened) under the ground coffee outlet to collect ground coffee.</p> <p>TIPS: If the sealing ring falls off during use, you can tight it as left.</p>
6		<p>Twist the Time Select Knob to choose your desired grind time (From 5 to 40 seconds), press the On/Off Button to start. Appliance stops automatically when setting time reached.</p> <p>Warning: When grinding, twisting the Time Select Knob will change your grinding time.</p> <p>Do not twist the Time Select Knob when grinding!</p> <p>TIPS: You can stop the appliance anytime by pressing the On/Off button.</p>

Warning: The appliance can not work for 3 minutes continuously within 10 minutes, and it must rest for 30 minutes if the working time exceeds 3 minutes.

IV. INITIAL OPERATION

1. Place the grinder on level surface, plug into AC Outlet (Only AC120V).
2. Remove lid from hopper, pour in roasted beans and replace the lid.
3. Ensure Grinding Chamber is in place.
4. Set the grind adjustment, select your desired grind time.
5. Press On/Off switch to start the grinder, when setting time reached, appliance stops.

To Set Grind Size

Optimal grind size depends on many factors including bean type, roast darkness, brewing method and freshness, and more. You can achieve the brew that best suits your taste by experiment with different grind settings. With use, you will determine the setting that is right for your taste, brewing style, and your favorite beans.

1. Remove lid from hopper and fill with whole, roasted beans. Place lid back on hopper.
2. Rotate the Grinding Setting ring to adjust the grind size setting (1 = fine, 24 = coarse). See chart below for grind setting recommendations.
3. Plug into AC120V outlet.

Grinding Size Setting Recommendations

Brewing Method	Espresso	Pour Over Drip Coffee	French Press
Suggested Grind Size	Fine	Medium	Coarse
Grind Setting	0-6	8-14	18-24
Time Selection	5-40 Seconds	5-40 Seconds	5-40 Seconds

To Grind Coffee

Twist the Time Select Knob to choose your desired grind time, press the On/Off Button to start, appliance stops when setting time reached.

Note: Catching the coffee powder directly with espresso basket would cause mess.

If doing so, hold it below the discharge chute so that coffee powder can fall freely into the basket. Holding the basket too close to the discharge chute may cause coffee to back up and clog your grinder.

To Remove Hopper

Always unplug power cord from outlet before removing bean hopper.

1. Hold from top and twist the hopper counterclockwise until the arrow lines up with the ☐ icon .
2. Lift hopper with lid straight up and off of the Grinder.

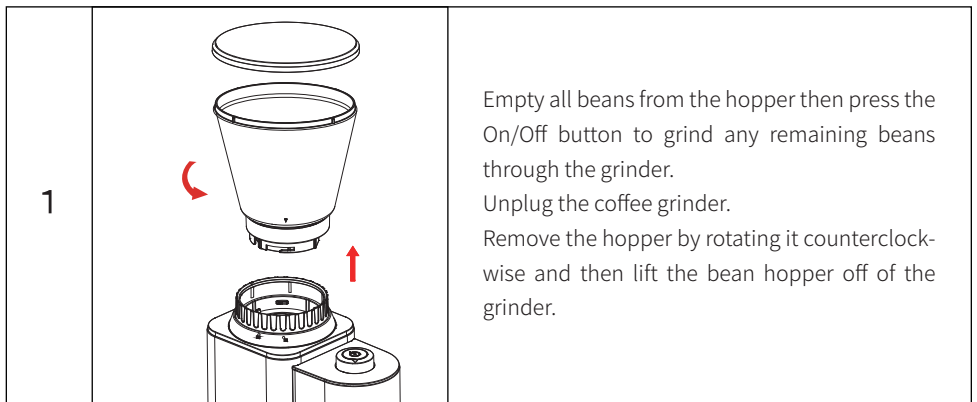
Coffee Grinder Use Tip

Freshly ground coffee is the key to making coffee with more flavor and body.

1. Use freshly roasted coffee beans with a “roasted on” date to maximize flavor, not a use-by or best before date.
2. The Bean hopper can not be used for storing coffee beans. Use coffee beans between 5 and 20 days after the ‘roasted on’ date for optimal freshness.
3. Coffee flavor and strength is a personal preference. Vary the type of coffee beans, amount of coffee and fineness of grind to achieve the flavor you prefer.
4. Store coffee beans in a dark, cool and dry place. Vacuum seal if possible.
5. Buy whole beans in small batches to reduce the storage time of coffee beans.
6. Once coffee is ground, it quickly loses its flavor and aroma. For the best results, grind beans immediately before brewing.
7. When storing the appliance, run grinder empty to clear ground beans left in chamber.
8. Run grinder for 10-15 seconds to purge some coffee before each use, for maximum freshness.
9. Clean the Bean hopper and conical burrs regularly.
10. It is best to change the grind size while the Coffee Grinder is running.

V. CARE AND CLEANING

Remove/Replacing the Ring Burr



2		<p>Remove the ring burr by rotating the little handle counterclockwise. When the “^” icon on the ring burr align the “⊔” icon on the main body, the ring burr can be taken out.</p>
3		<p>Clean the ring burr with the cleaning brush. Warning: Do not wash the burrs with water or any other liquids, or they will rust.</p>
4		<p>Clean the ring burr with the cleaning brush. Warning: Do not wash the burrs with water or any other liquids, or they will rust.</p>
5		<p>Replace the ring burr well in position. Align the “^” icon on the ring burr with the “⊔” icon on the main body, push down firmly on the ring burr to ensure that it seats properly, rotate the ring burr clockwise. When the “^” icon align with the “⊔” icon, ring burr is replaced right (you will hear sound “tick”). Warning: Be sure that ring burr is replaced before grinding, grinding without ring burr will cause appliance damaged. TIPS: Remember to push down the little handle of the ring burr after replacing.</p>

VI. SAFETY INDEXES

1. Wash the grinding chamber, hopper, and the hopper lid in warm soapy water, then rinse and dry.
2. If the grinder is used daily, the burrs should be cleaned regularly using brush (**Warning:** Do not clean the ring burr with water or any other liquids to avoid damaged).
3. Wipe the main body of Coffee Grinder with a soft, damp cloth. Dry thoroughly with a soft dry cloth.
4. Proper cleaning enables the burrs to achieve the most consistent grind possible. Cleaning also removes some coffee oils, which will stale and degrade the flavor of the ground coffee.
5. If you don't grind regularly, make sure to clear the ground coffee from the chute before each use, as some older coffee dust may be sitting inside your Grinder and will affect the quality of your next batch. Without adding beans to the hopper, select 5 seconds and grind. Discard the grounds. You are now ready to grind your fresh beans.

NOTE: Unplug the Coffee Grinder before cleaning.

Caution: Do not put the bean hopper, hopper lid or Grinding Chamber in the dishwasher. Hand wash only. Do not immerse the grinder housing in water. Do not wash the burrs with water, or they will rust.

Product Name	Coffee Grinder
Product Model	CG 204
Rated Voltage	AC 120V
Frequency	60 Hz
Power	150 W
Bean Hopper Capacity	12 oz
Grinding Chamber Capacity	3.9 oz

VII. TROUBLESHOOTING

If your coffee grinder malfunctions or fails to operate.

Problem	Possible Cause	Solution
Grinder does not turn on after press the On/Off button.	Grinder does not plug in	Plug into a power outlet (AC 120V 60Hz).
	Grinder overheated. Appliance would overheat if grinding time exceeds 3 minutes within 10 minutes.	Rest appliance for 30 minutes for cooling down.
Appliance beeps after press the On/Off button, and not turn on.	Bean hopper not installed properly.	Install the bean hooper properly. Refer to “ASSEMBLY(Page 3.)” .
Appliance beeps after press the On/Off button, and not turn on.	No beans in hopper.	The burrs require cleaning or are worn. Refer to “CARE AND CLEANING (Page 6.)” section for detailed information on cleaning the burrs.
	Grounds chute is clogged.	Unplug power cord and remove hopper. Use brush to clean grounds chute.
Grinder starts but produces no coffee grounds.	Grinder blocked with foreign item.	Unplug power cord and remove hopper. Inspect hopper, Ring Burr and Center Cone Burr. Remove any foreign objects. Refer to “CARE AND CLEANING (Page 6.)” section.
If the Coffee Grinder is operating normally, but stops abruptly.	A coffee bean, may have jammed the burrs.	Immediately turn off the Coffee Grinder. Refer to “CARE AND CLEANING (Page 6.)” for detailed information on cleaning the burrs.

VIII. WARRANTY

We are delighted that you have chosen the AROMASTER grinder and hope you have a fun with it. The manufacturer's warranty covers the product for a period of 12 months from the date of purchase against manufacturing faults. If you have any questions about the device and about spare parts/accessories, contact the customer service department via



support@aromaster.net



www.aromaster.net



facebook.com/Aromaster.shop

Through the following channels,
you can quickly contact us.



support@aromaster.net



www.aromaster.net



facebook.com/Aromaster.shop