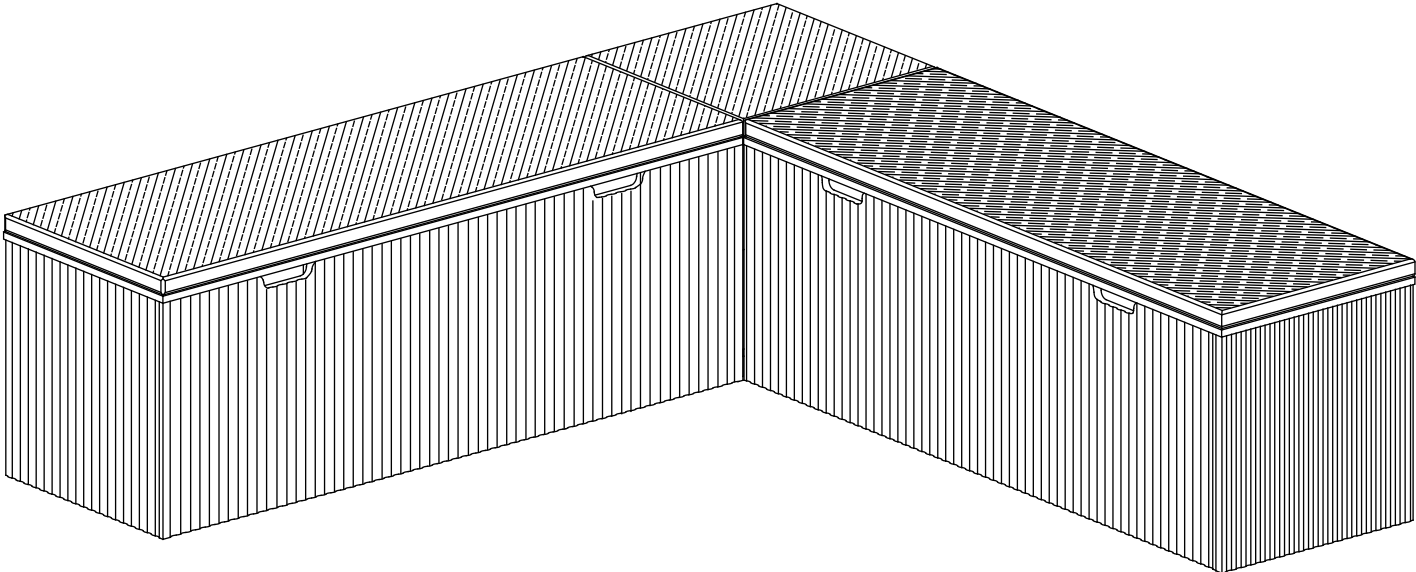
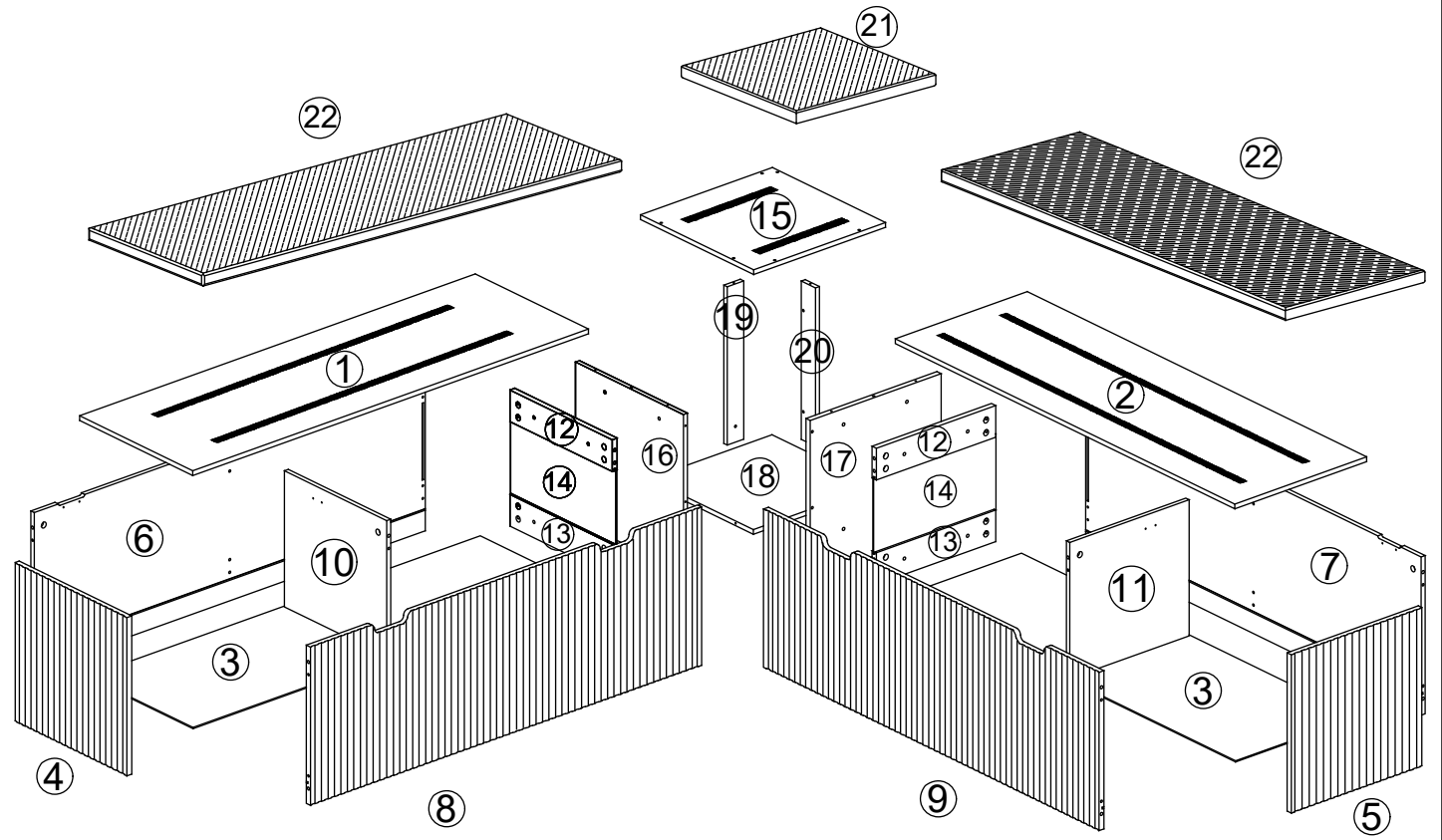
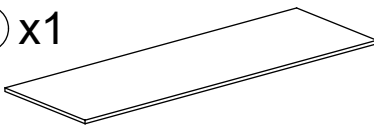
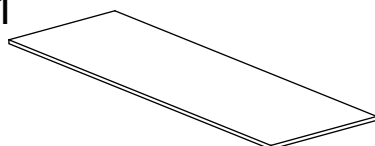
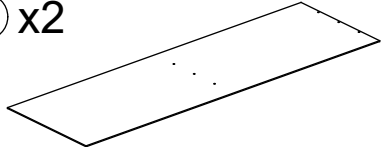
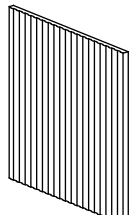
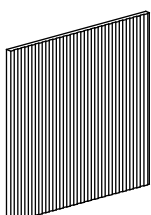
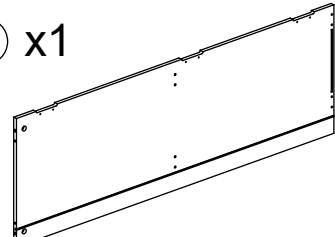
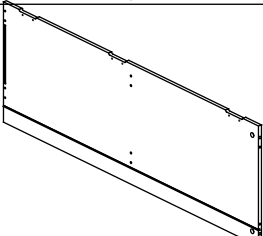
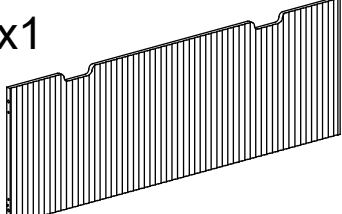
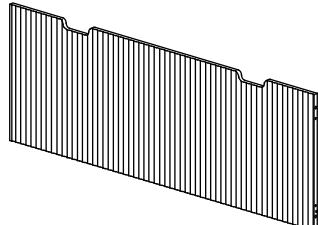
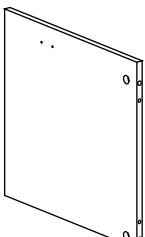
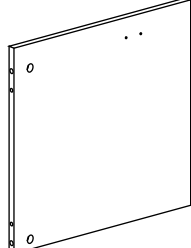
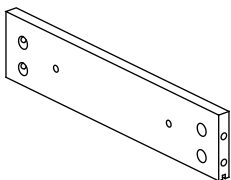
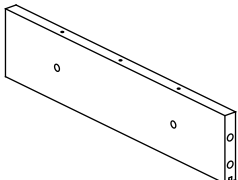
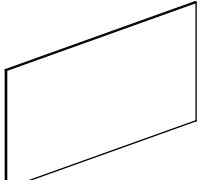
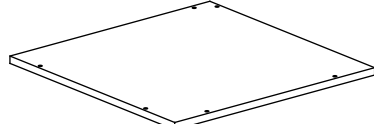
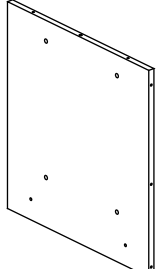
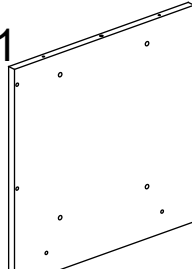
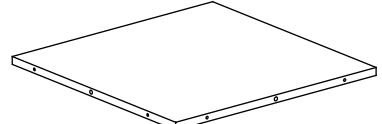

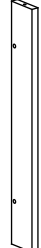
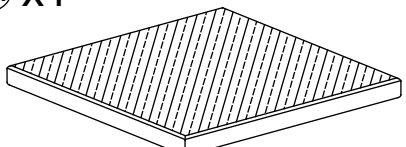
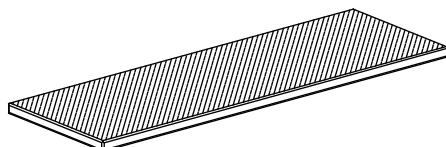


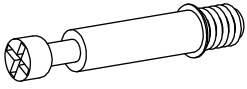
Installation & Assembly





<p>① x1</p> 	<p>② x1</p> 	<p>③ x2</p> 
<p>④ x1</p> 	<p>⑤ x1</p> 	<p>⑥ x1</p> 
<p>⑦ x1</p> 	<p>⑧ x1</p> 	<p>⑨ x1</p> 
<p>⑩ x1</p> 	<p>⑪ x1</p> 	<p>⑫ x2</p> 
<p>⑬ x2</p> 	<p>⑭ x2</p> 	<p>⑮ x1</p> 
<p>⑯ x1</p> 	<p>⑰ x1</p> 	<p>⑱ x1</p> 
<p>⑲ x1</p> 	<p>⑳ x1</p> 	<p>㉑ x1</p> 
<p>㉒ x2</p> 		

A



Ø6x35mm

X28+2 pcs

B



Ø15x9.5mm

X28+2 pcs

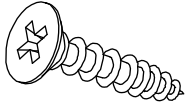
C



Ø6x30mm

x 20+2 pcs

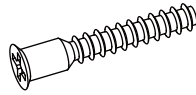
D



Ø3.5x12 mm

38+2 pcs

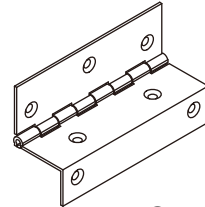
E



5x40mm screw

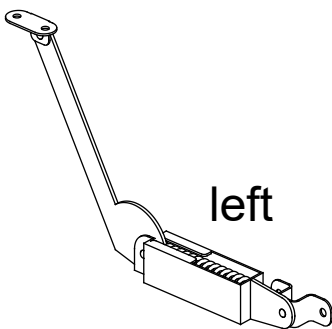
x 20+2 pcs

F

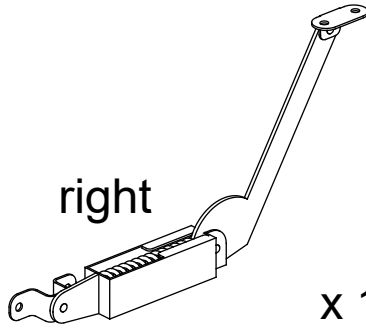


x 6 pcs

G



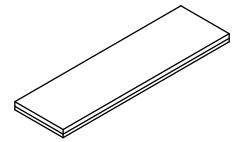
left



right

x 1 pc

H



x 14+2 pcs

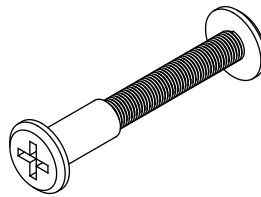
J



Ø4 x 14 mm

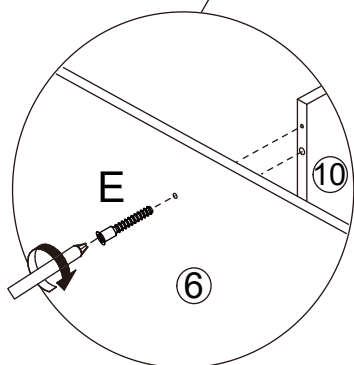
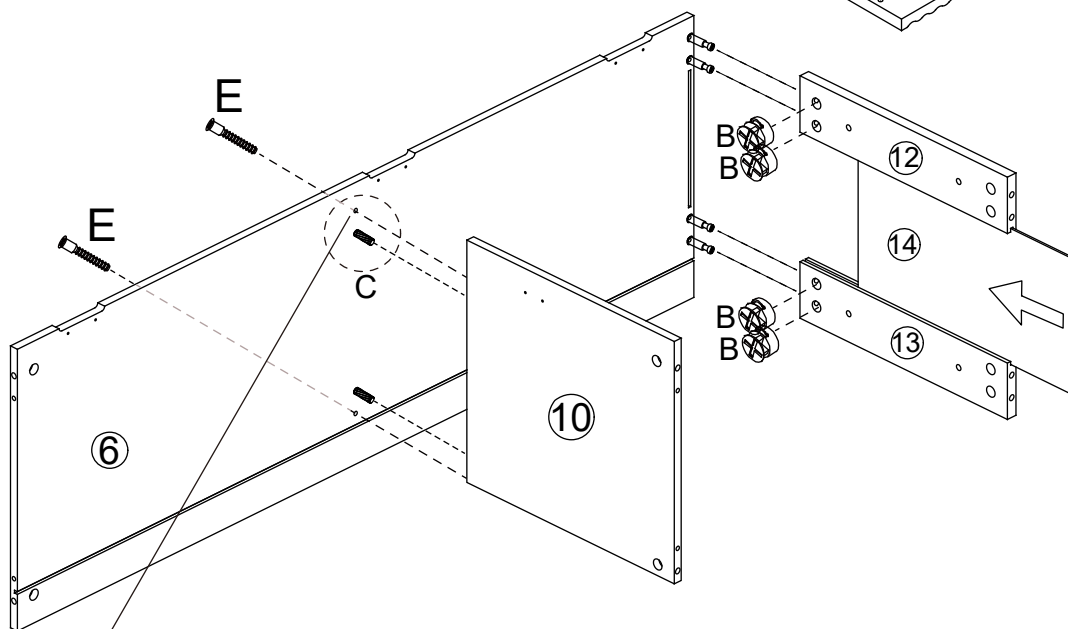
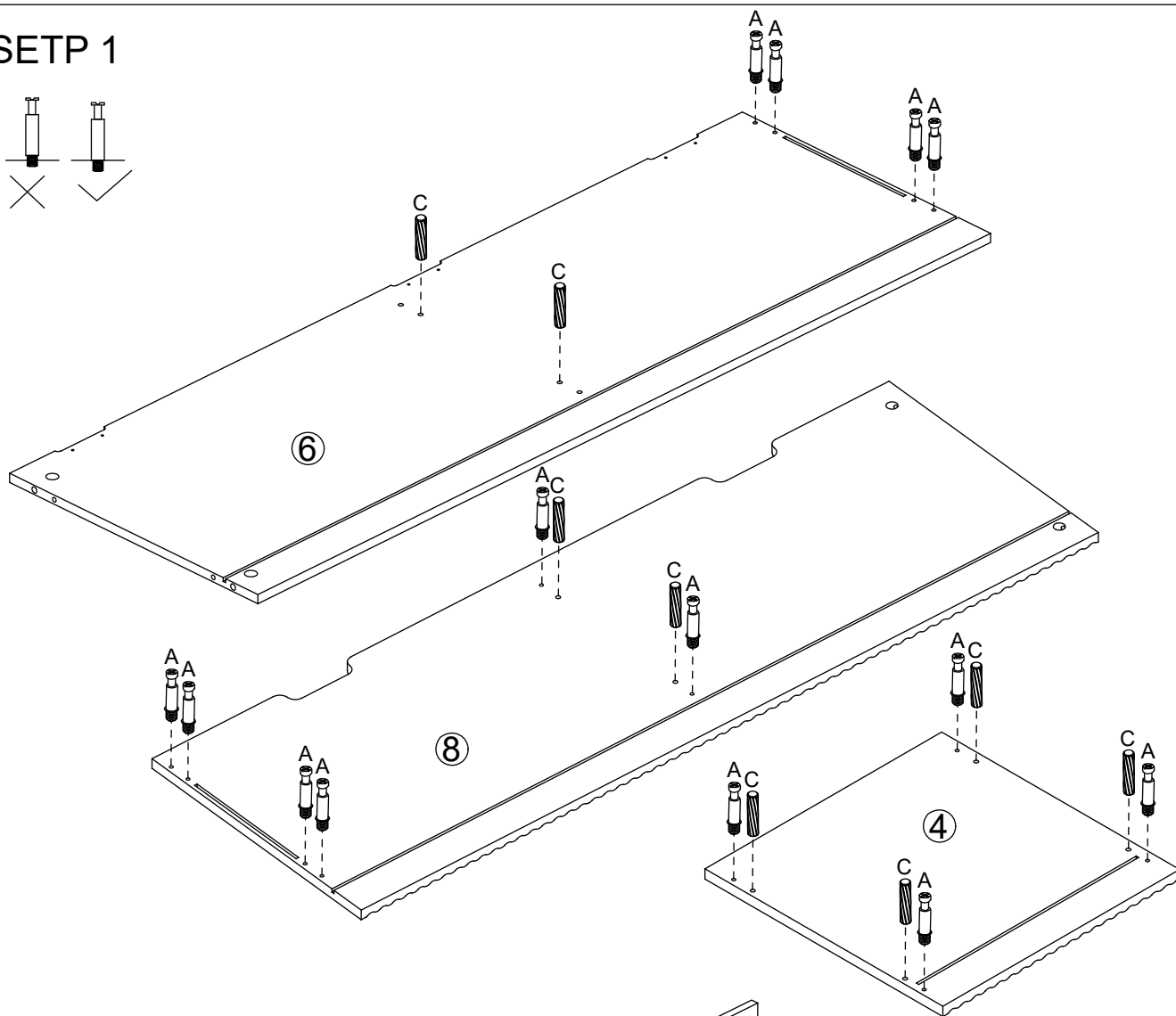
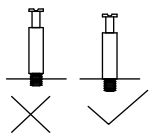
x 12+2 pcs

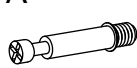



K



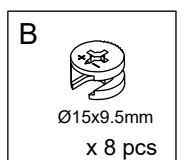
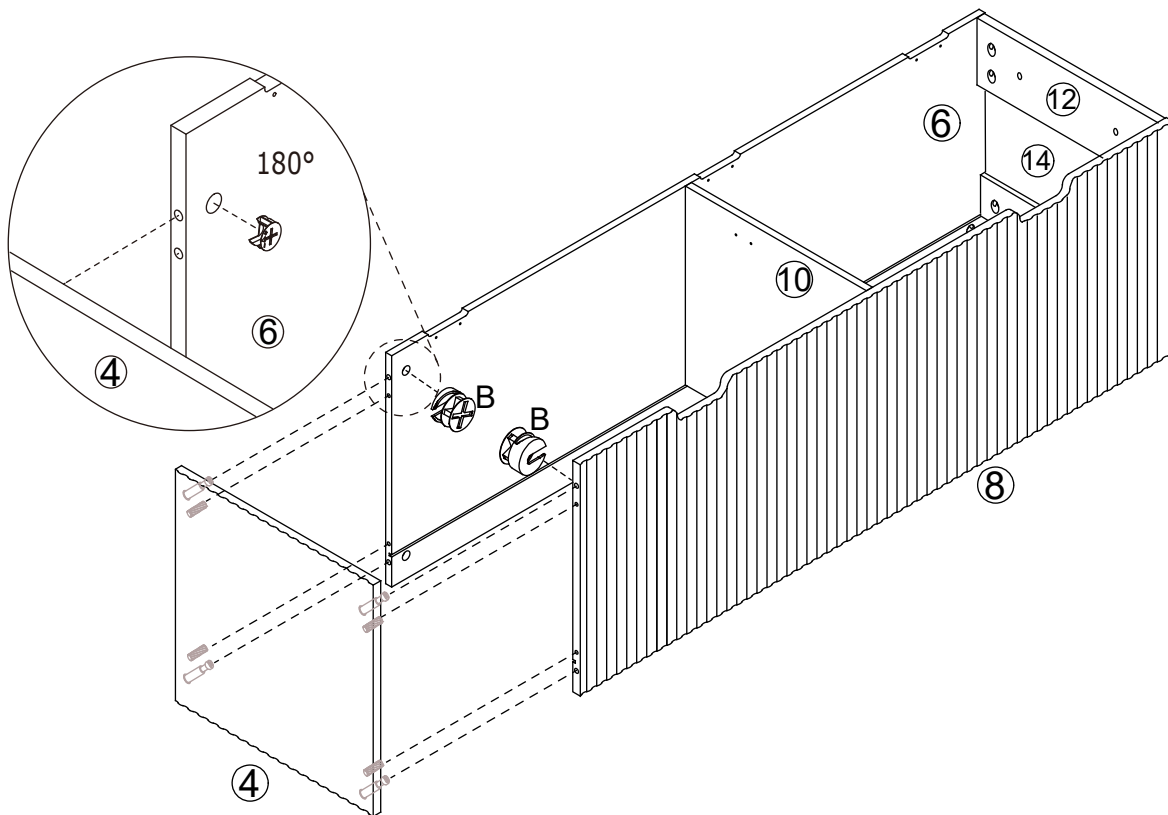
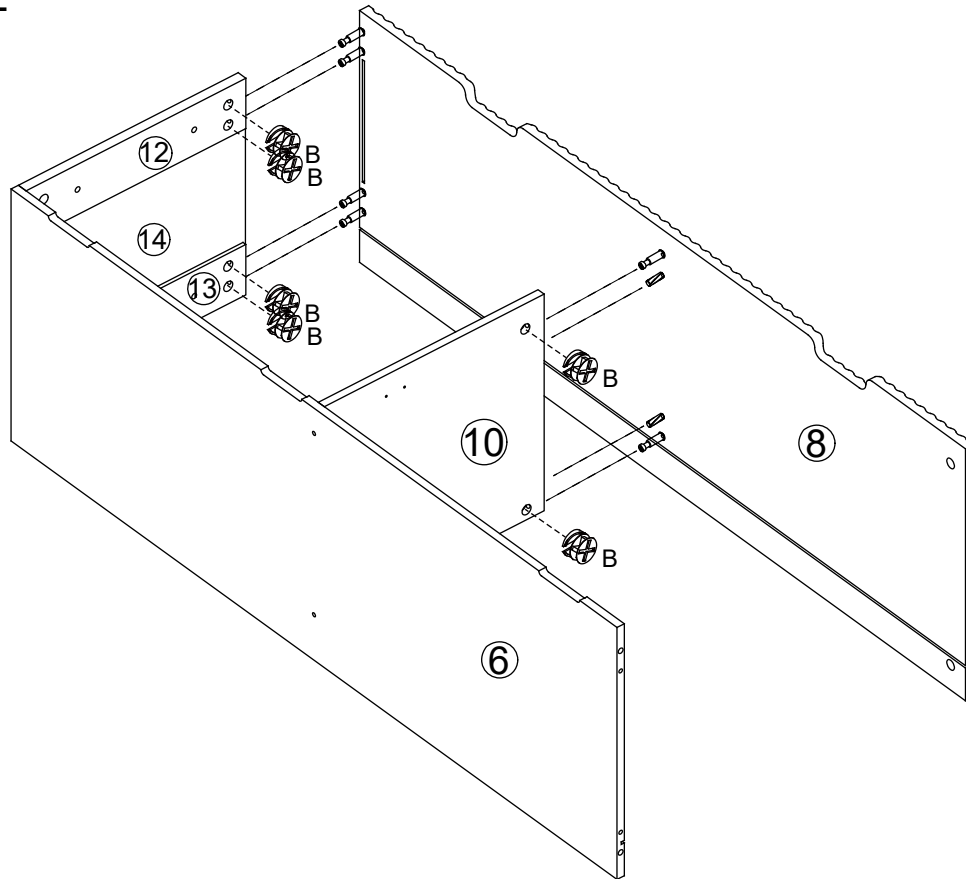
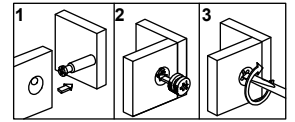
x 8 pcs

STEP 1

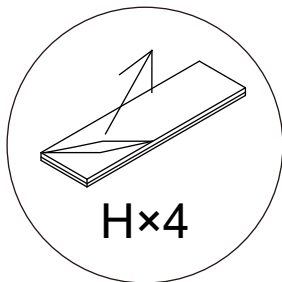
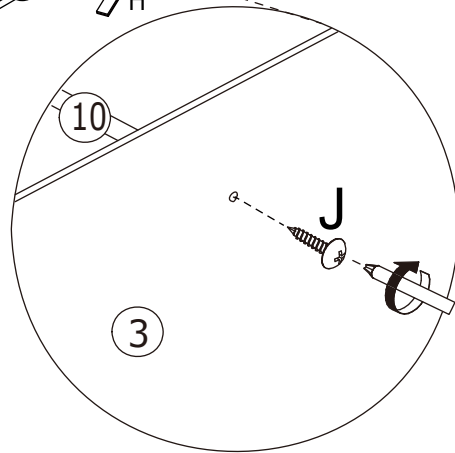
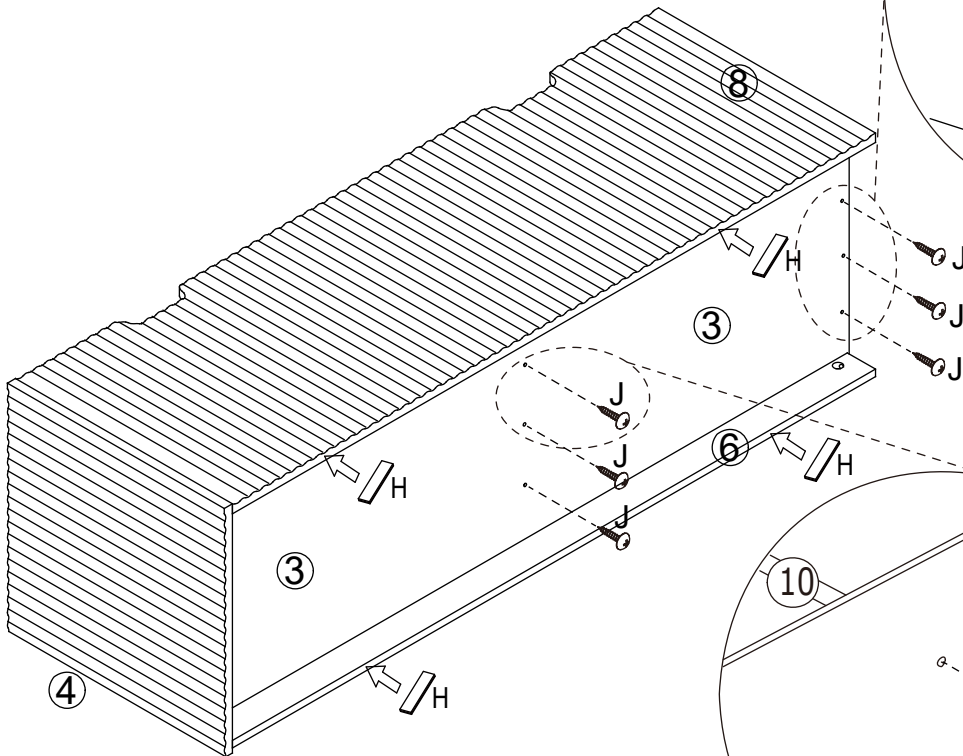
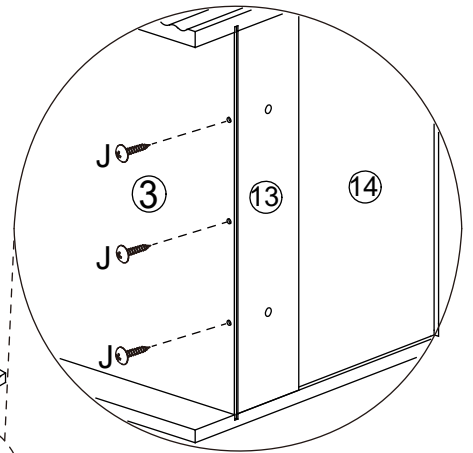
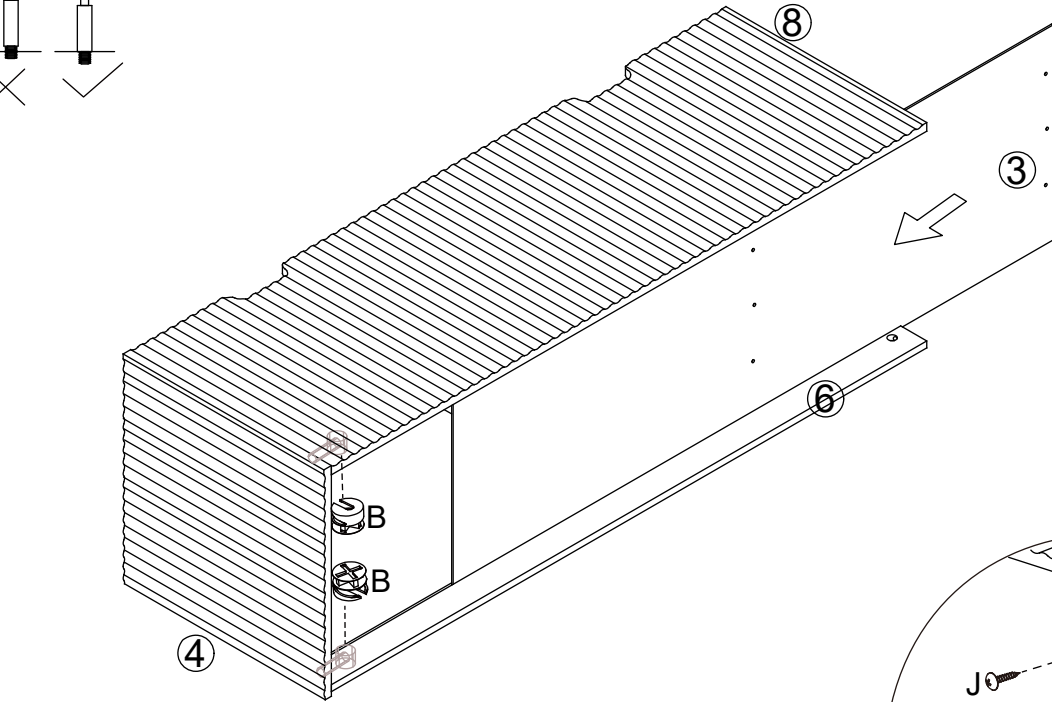
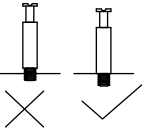
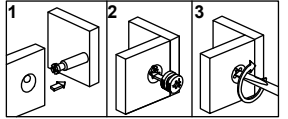





<p>A</p>  <p>x 14 pcs</p>	<p>B</p>  <p>Ø15x9.5mm x 4 pcs</p>	<p>C</p>  <p>Ø6x30mm x 8 pcs</p>	<p>E</p>  <p>5x40mm screw x 2 pcs</p>
---	--	--	---

SETP 2

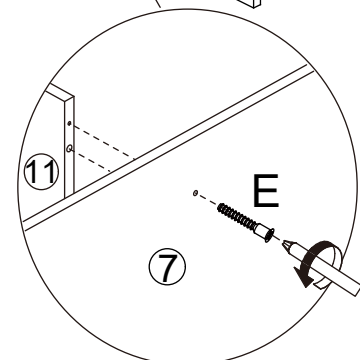
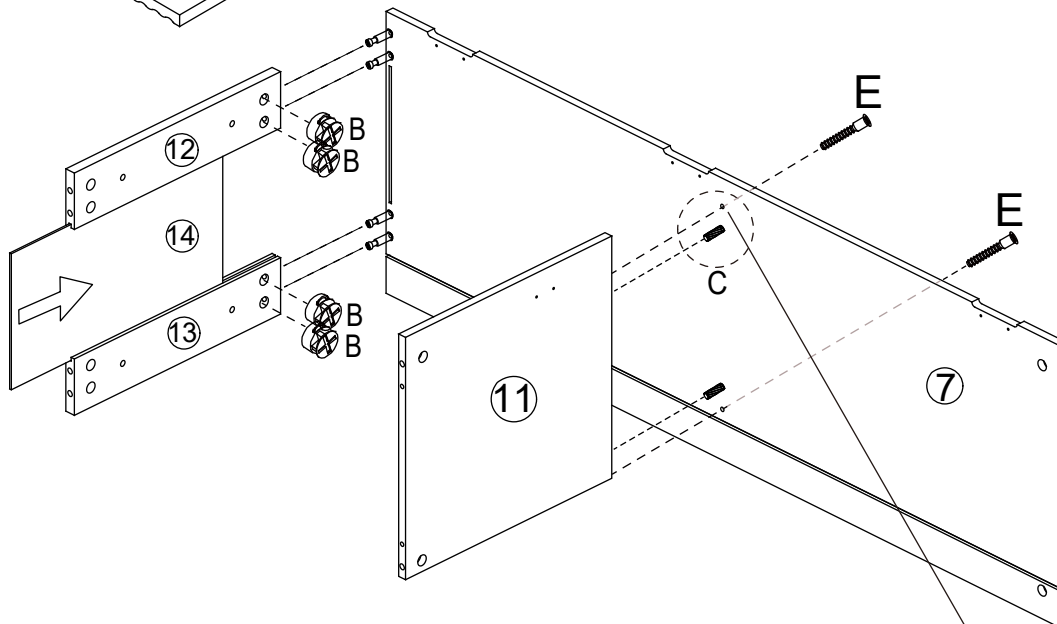
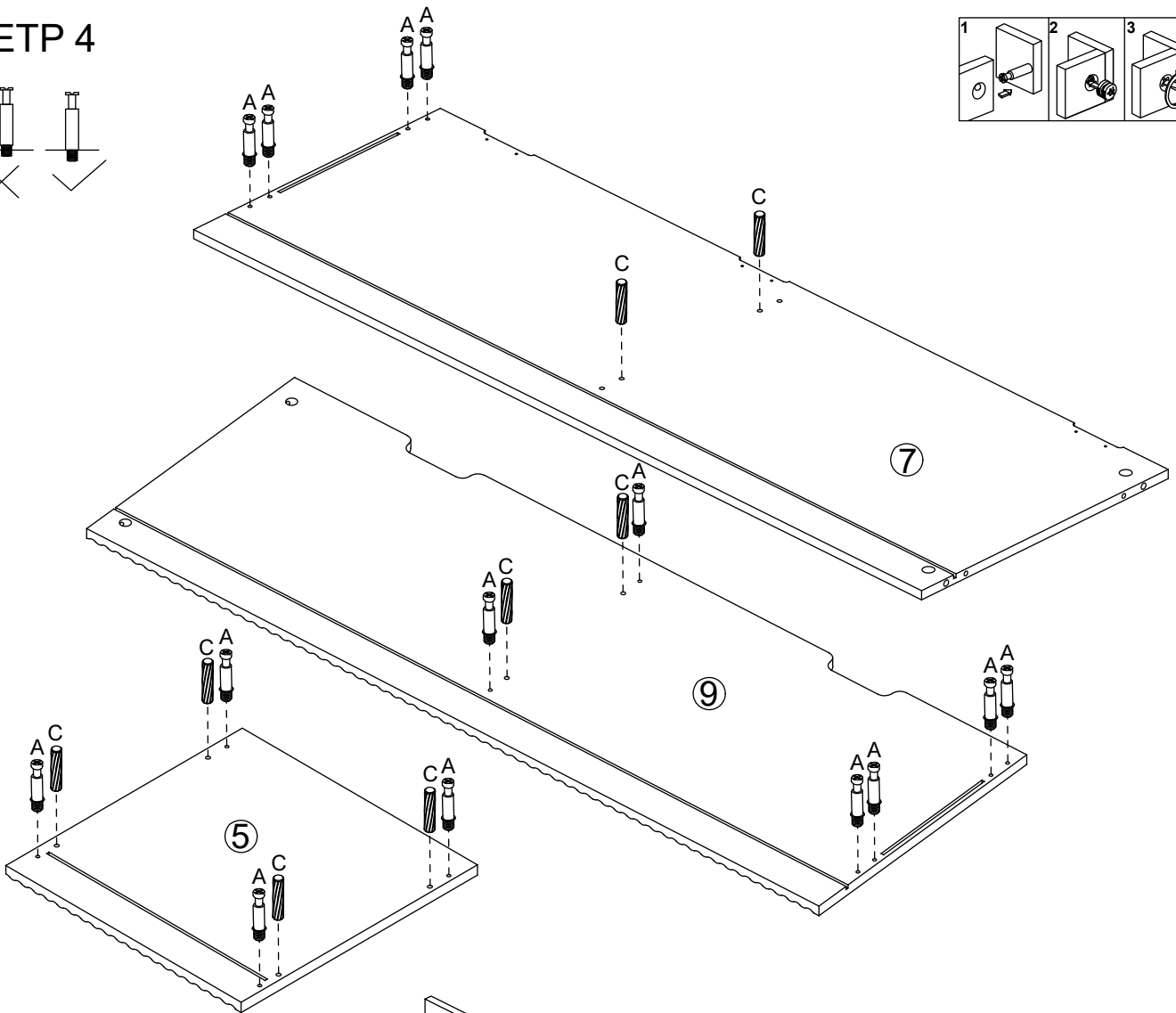
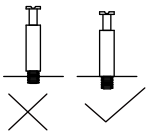
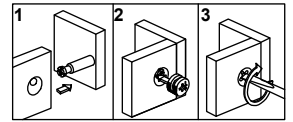


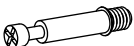



STEP 3



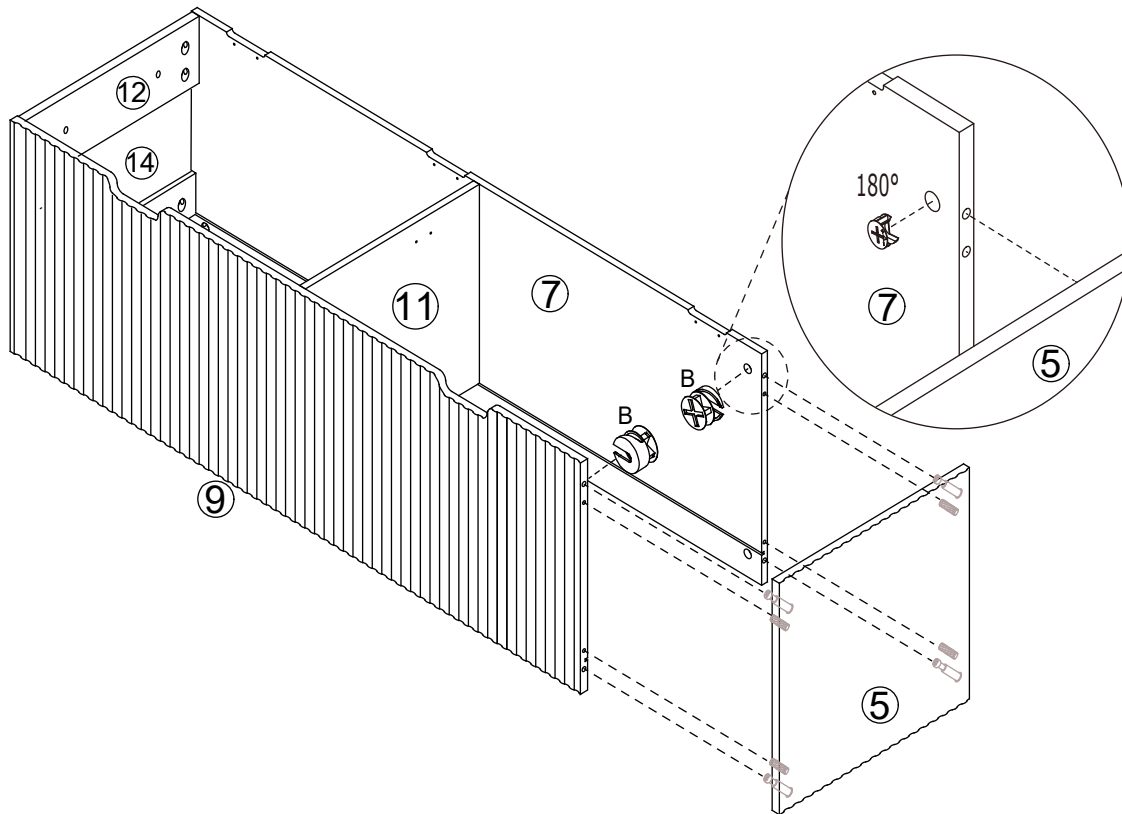
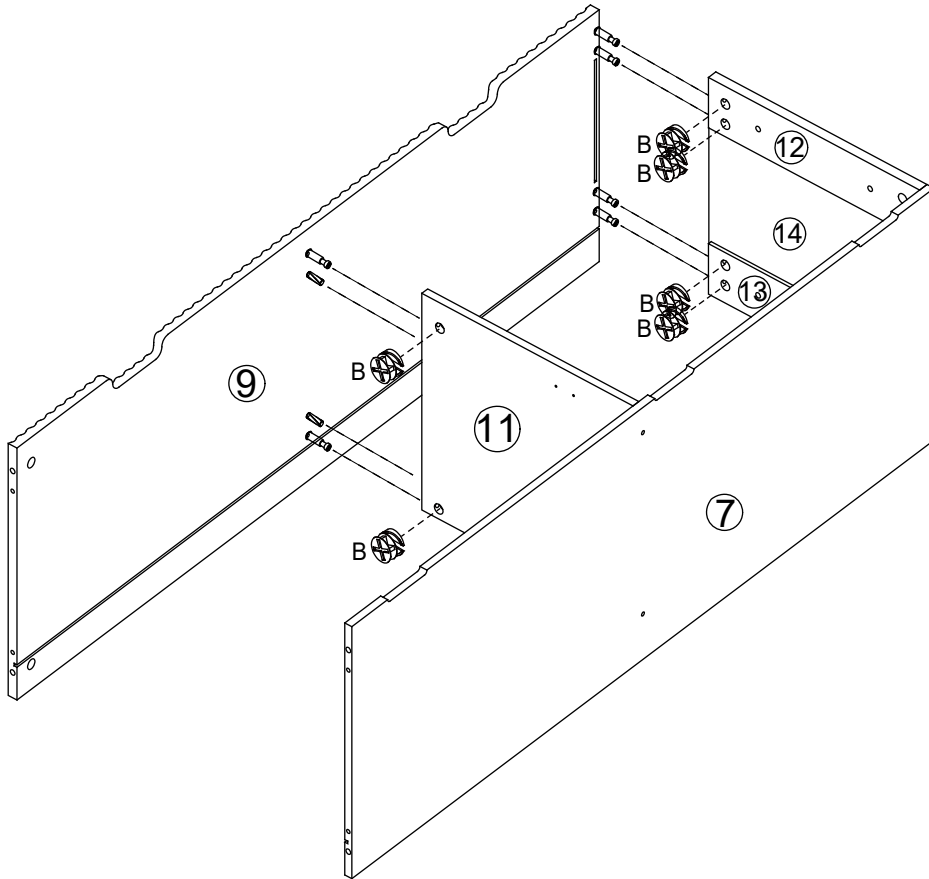
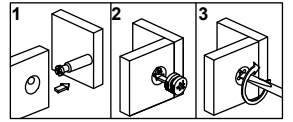
B  Ø15x9.5mm x 2 pcs	H  x 4 pcs	J  Ø4 x 14 mm x 6 pcs
---	--	--

STEP 4



<p>A</p>  <p>x 14 pcs</p>	<p>B</p>  <p>Ø15x9.5mm x 4 pcs</p>	<p>C</p>  <p>Ø6x30mm x 8 pcs</p>	<p>E</p>  <p>5x40mm screw x 2 pcs</p>
--	--	--	---

SETP 5

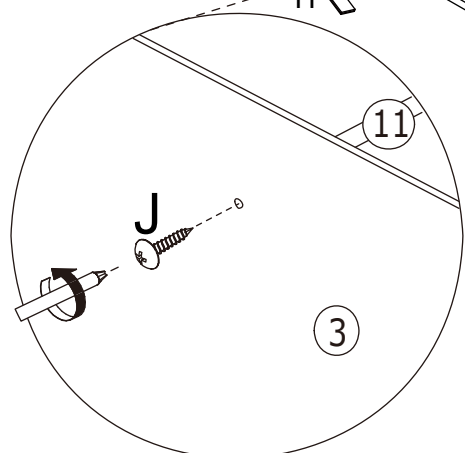
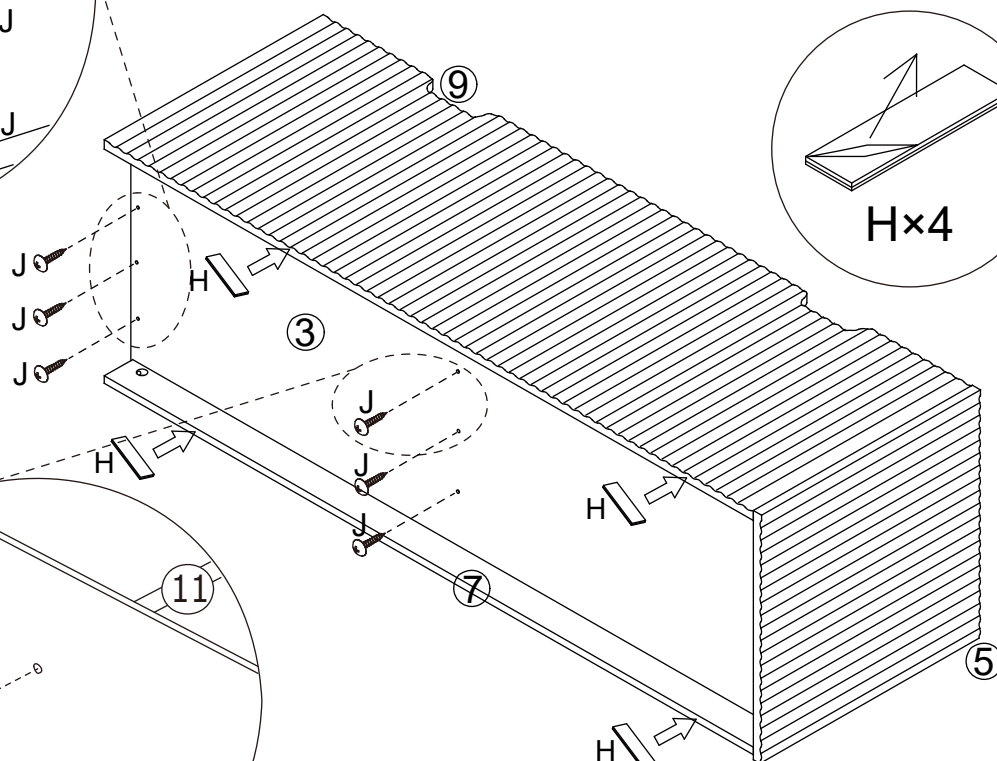
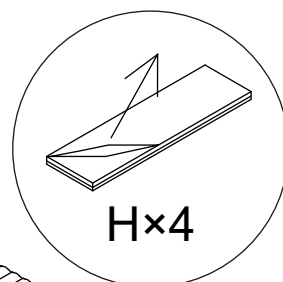
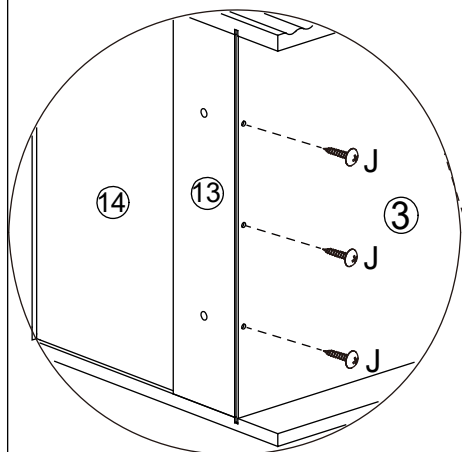
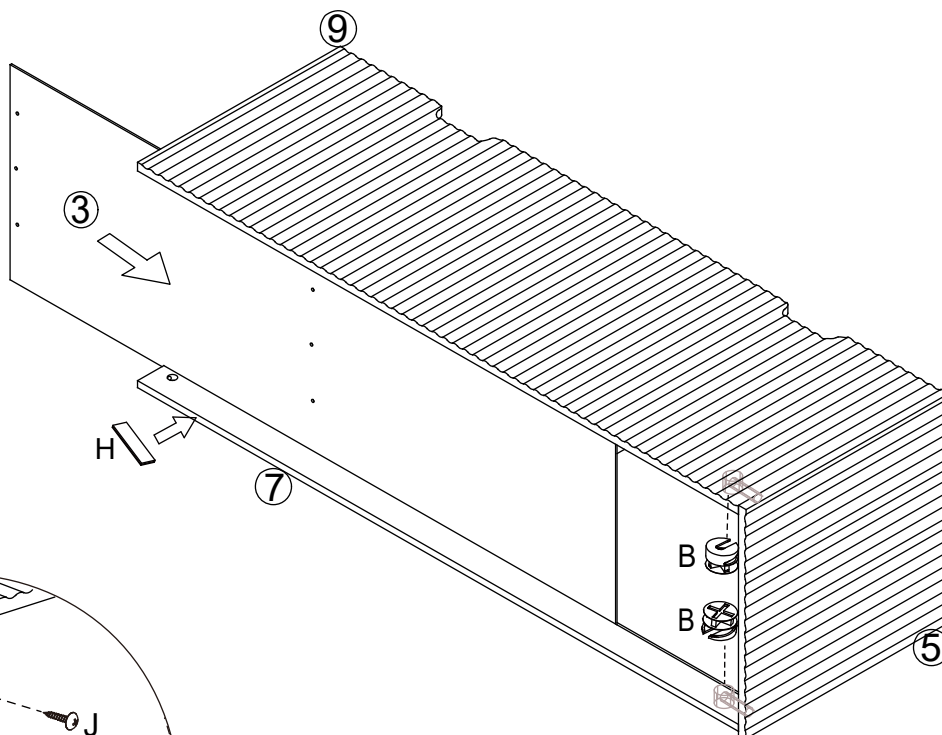
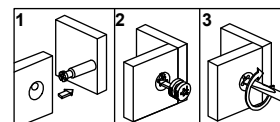
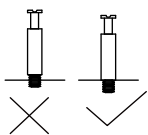





B



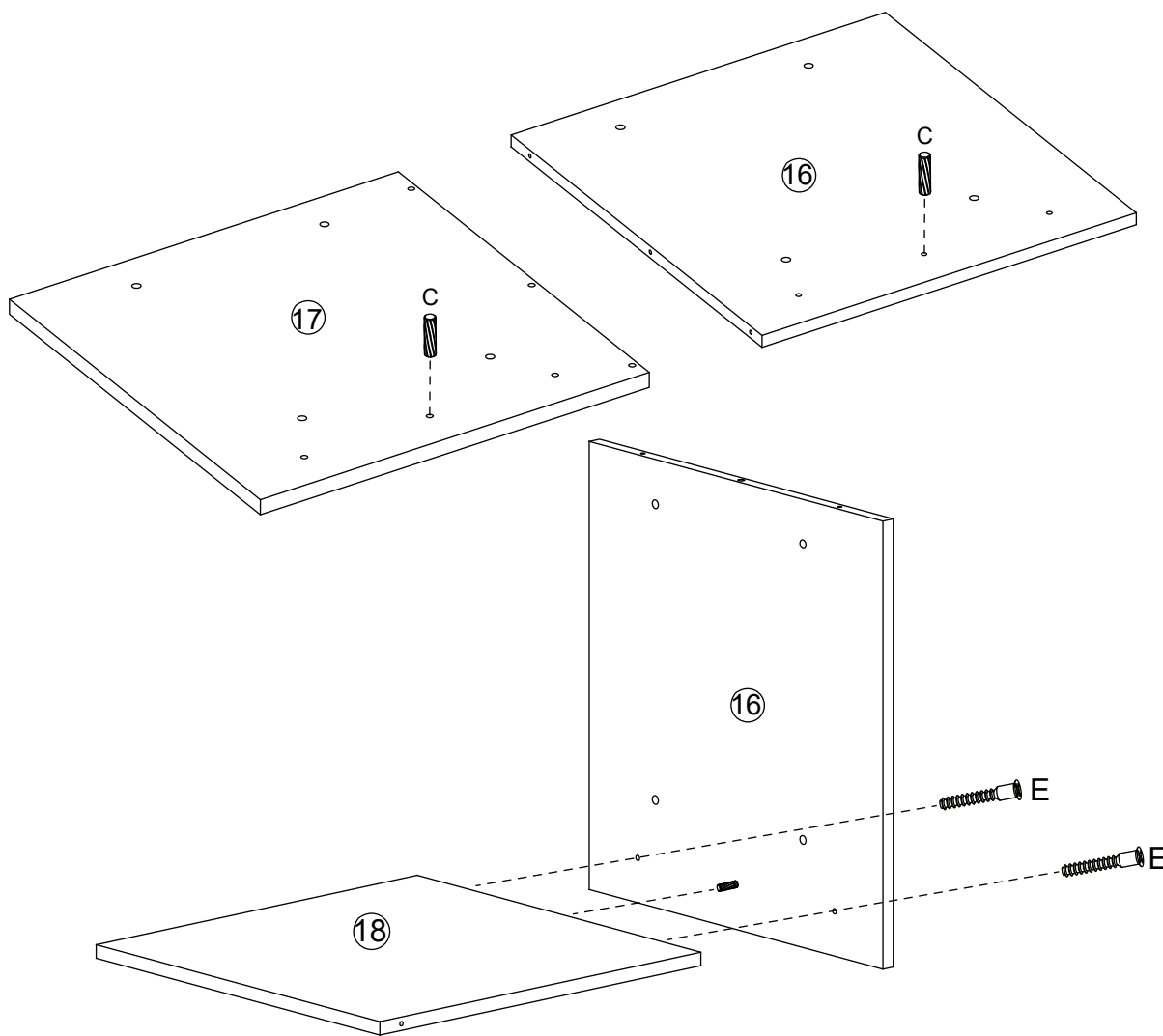
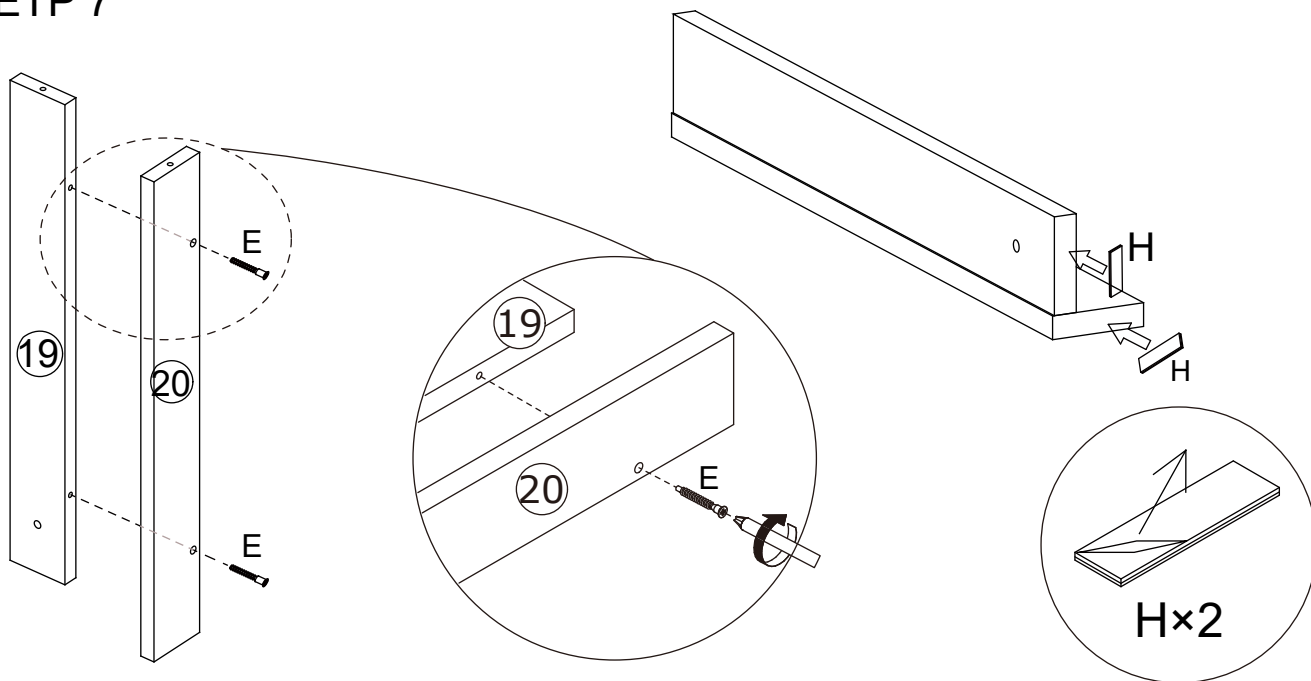
Ø15x9.5mm
x 8 pcs




STEP 6



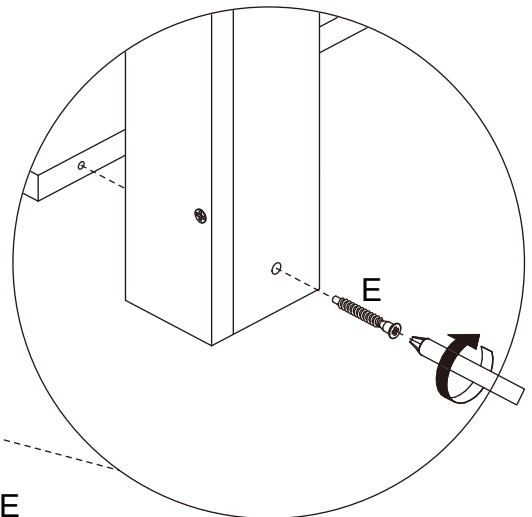
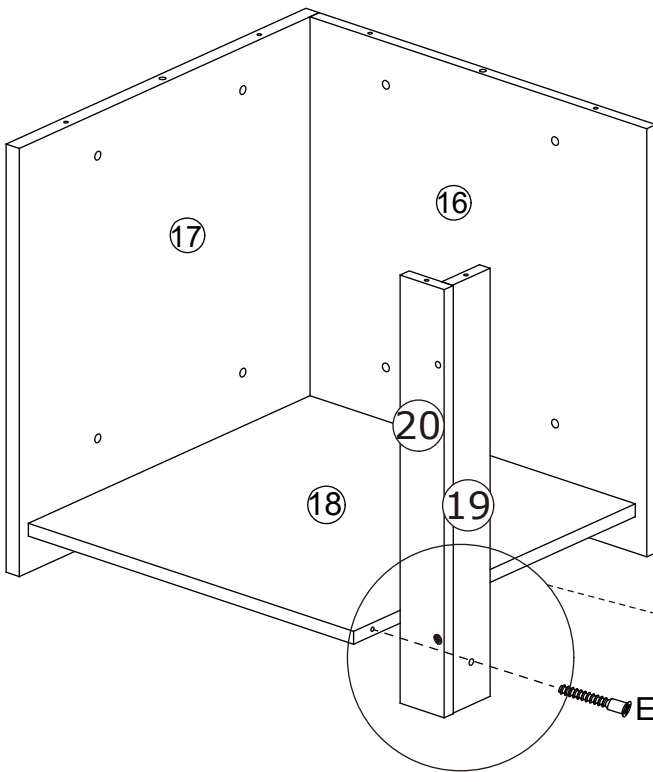
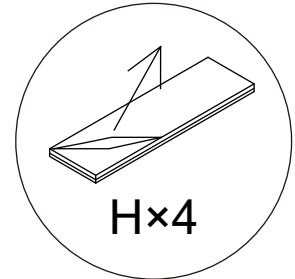
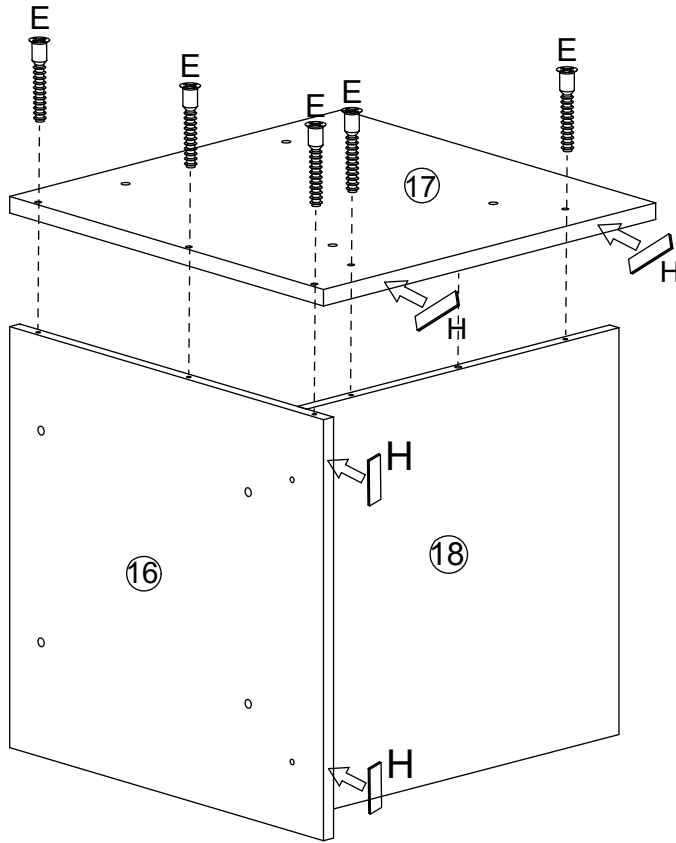
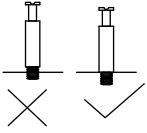
<p>B</p>  <p>Ø15x9.5mm x 2 pcs</p>	<p>H</p>  <p>x 4 pcs</p>	<p>J</p>  <p>Ø4 x 14 mm x 6 pcs</p>
--	--	---



STEP 7



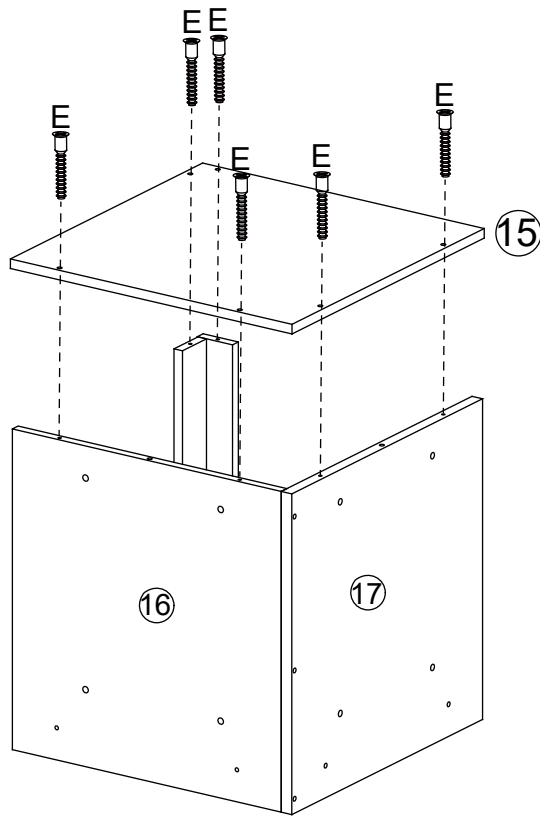
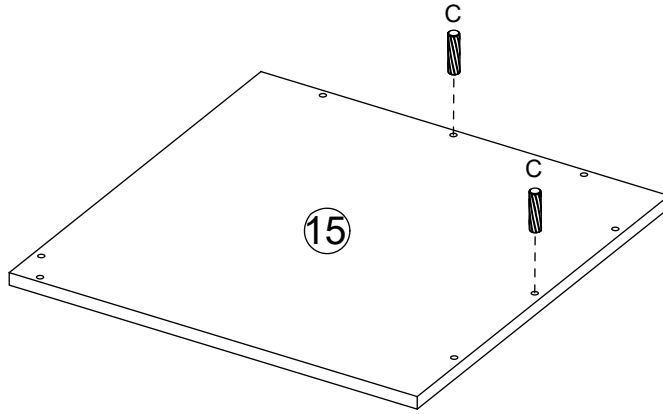
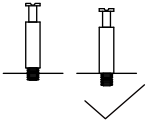
<p>C</p>  <p>Ø6x30mm x 2 pcs</p>	<p>E</p>  <p>5x40mm screw x 4 pcs</p>	<p>H</p>  <p>x 2 pcs</p>
--	---	--



STEP 8



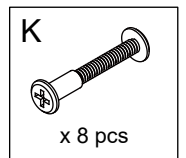
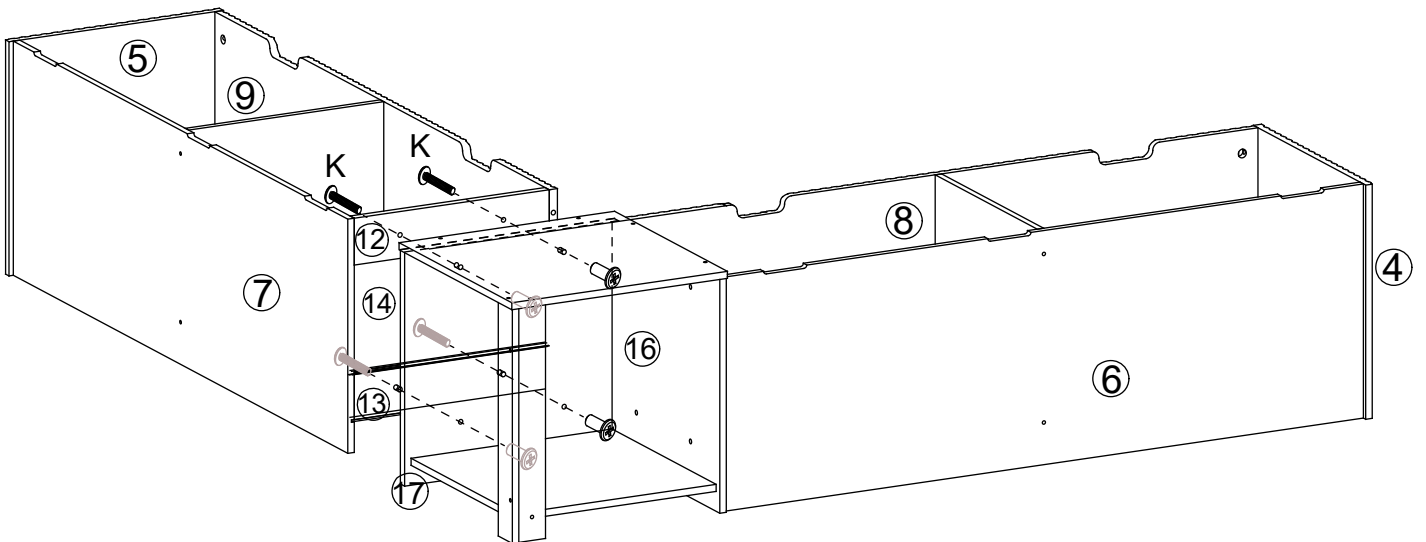
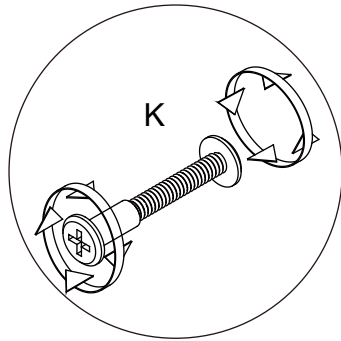
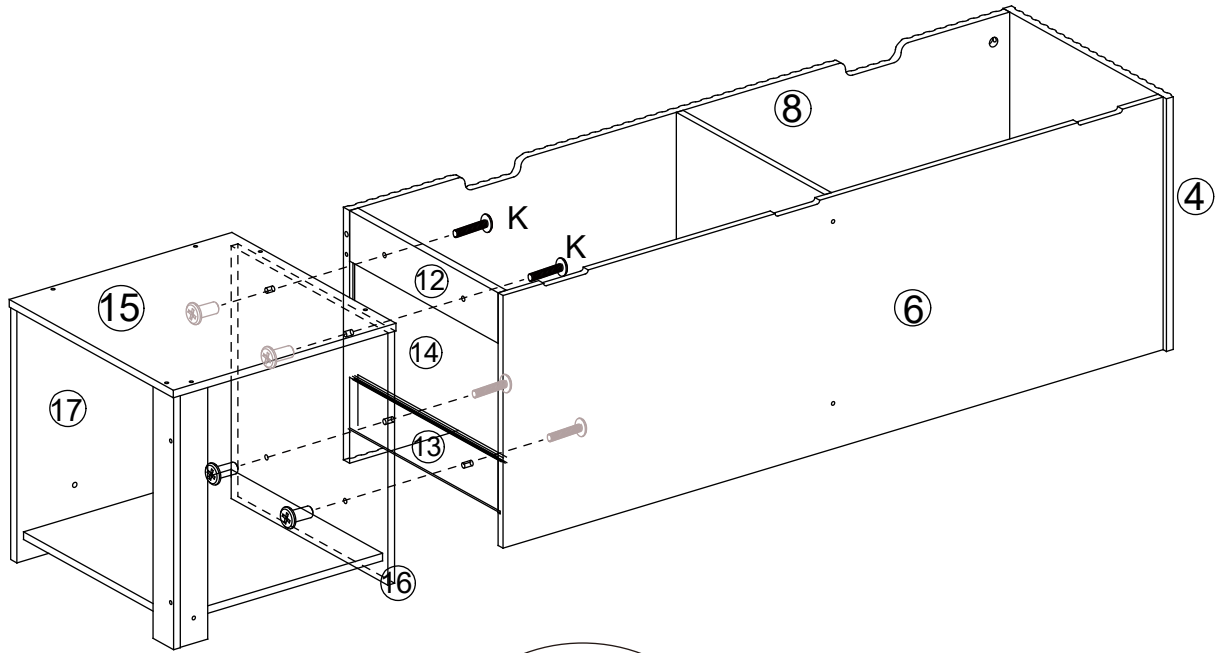
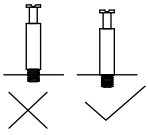
E  5x40mm screw x 6 pcs	H  x 4 pcs
--	--

STEP 9

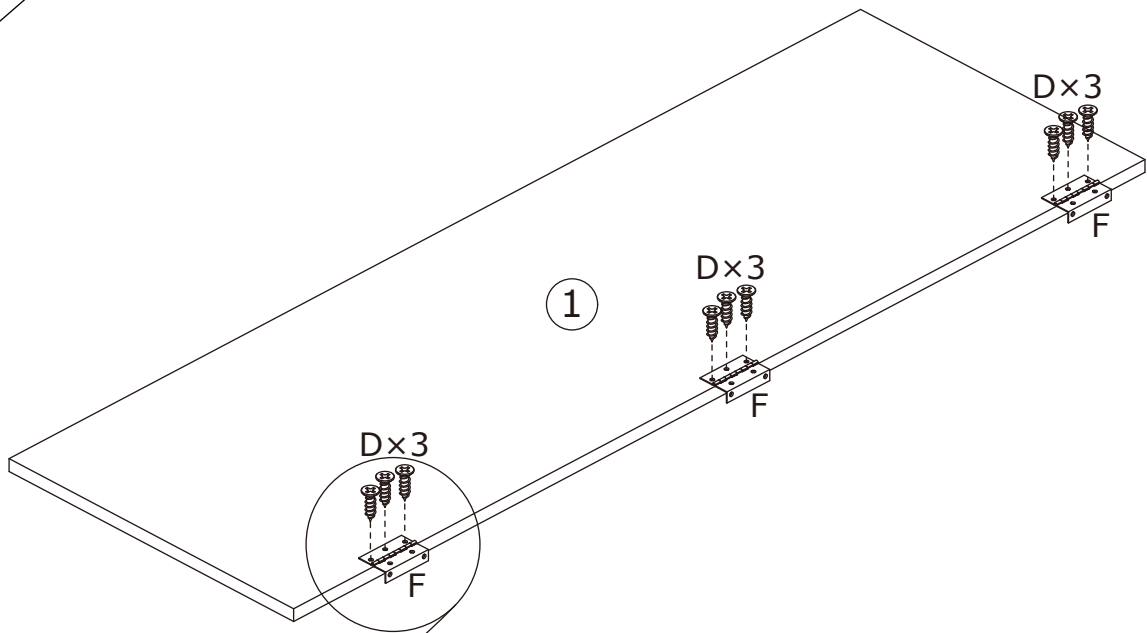
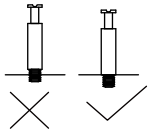


C  Ø6x30mm x 2 pcs	E  5x40mm screw x 6 pcs
---	--

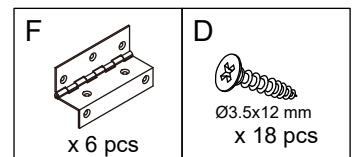
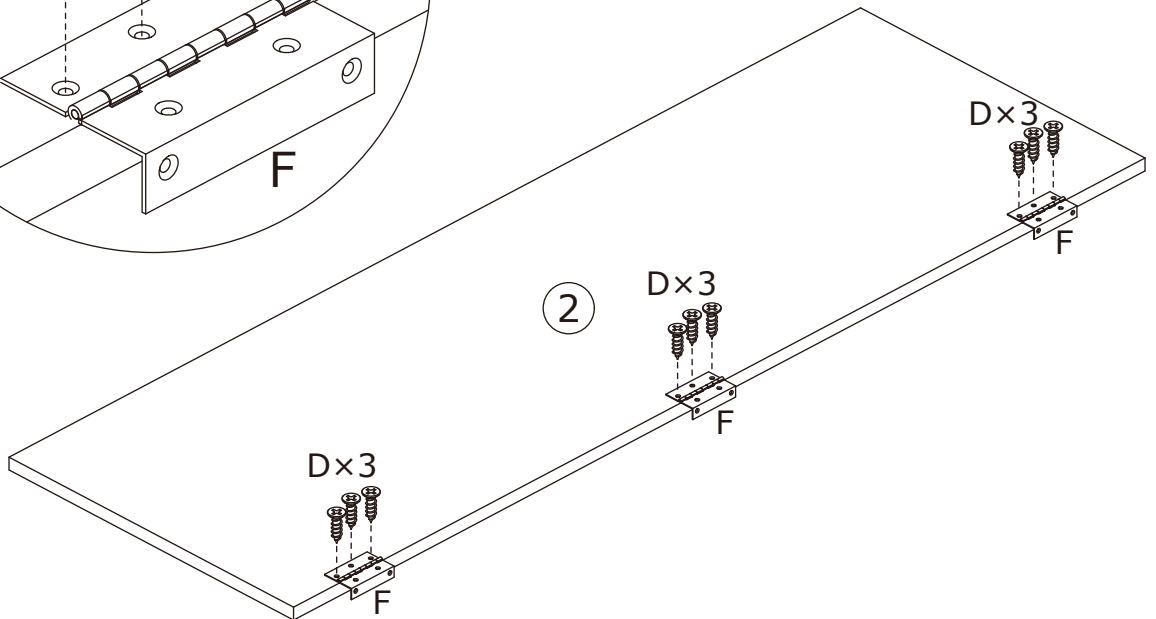
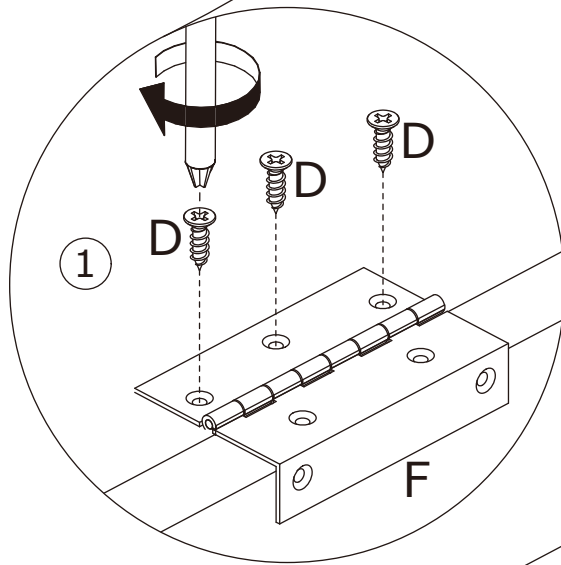
STEP 10



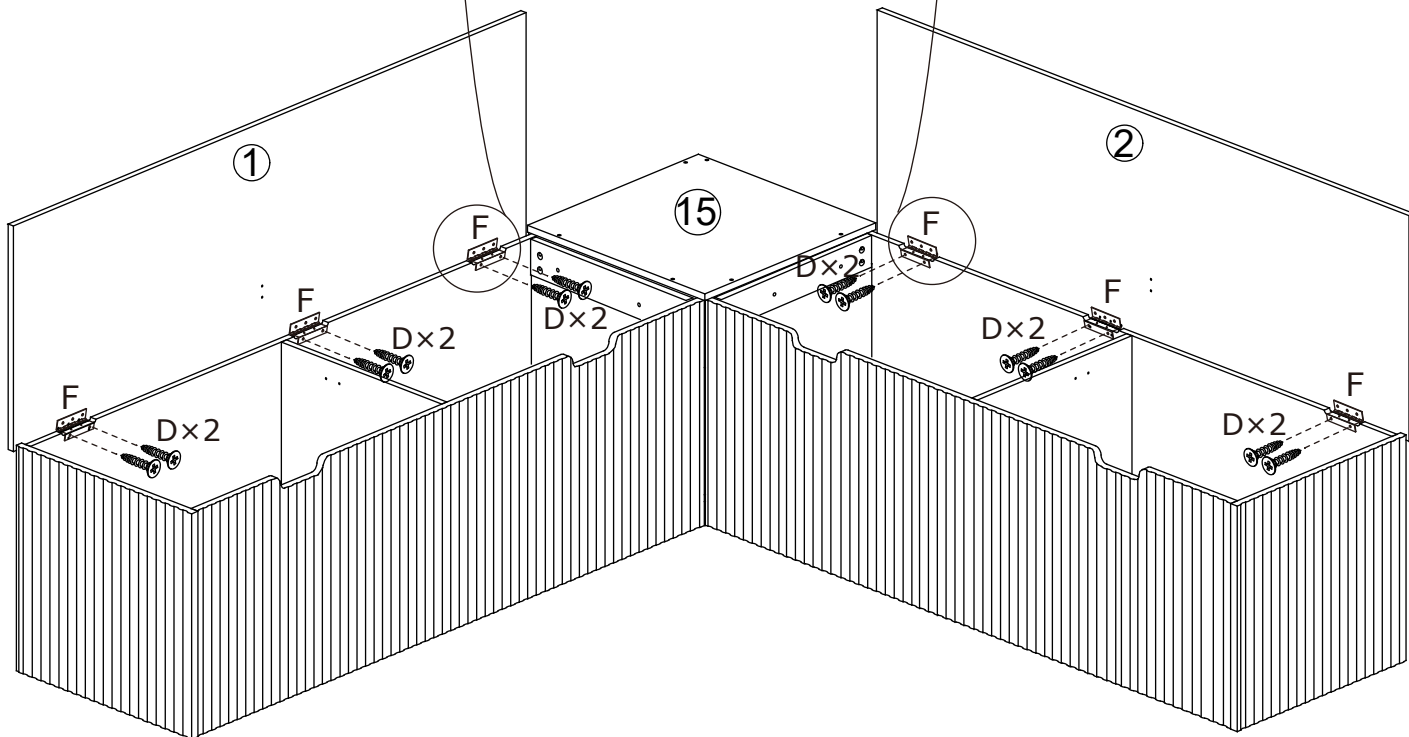
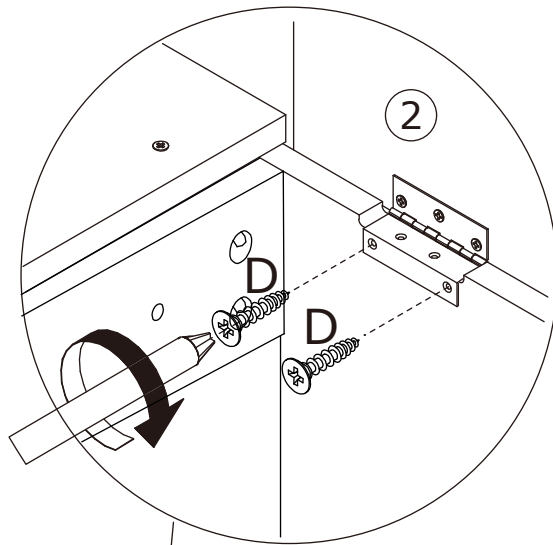
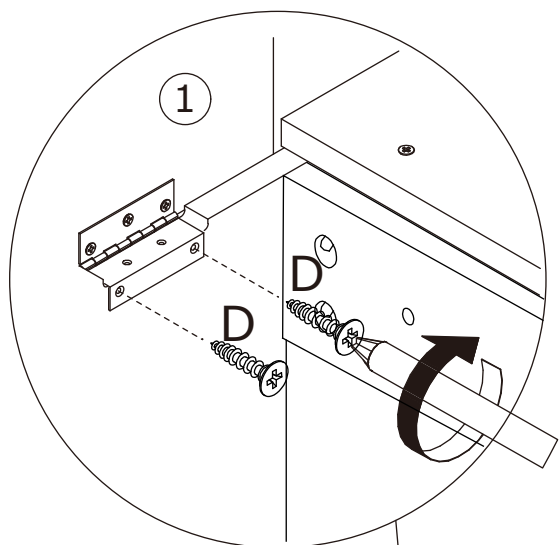
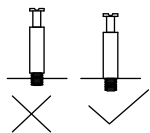
SETP 11



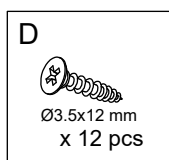
Fix hinge(F) to board 1 and 2 with screw(D) as shown.



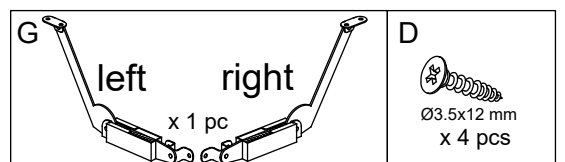
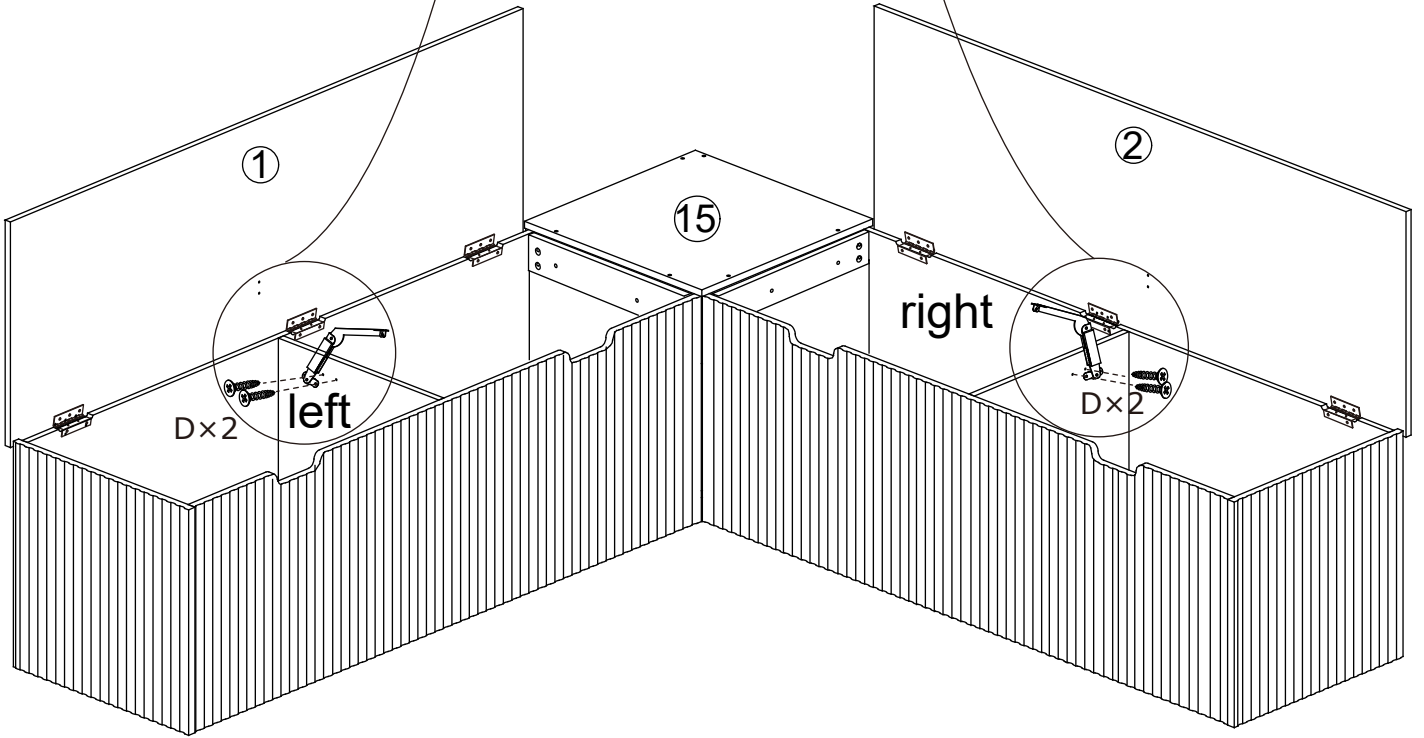
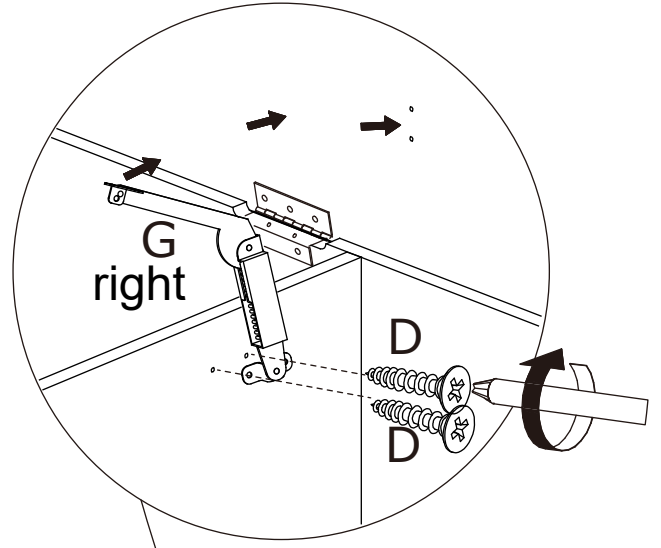
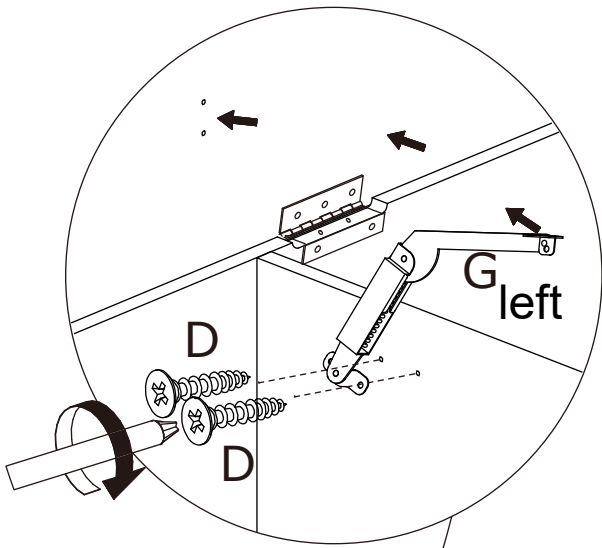
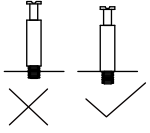
SETP 12



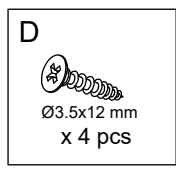
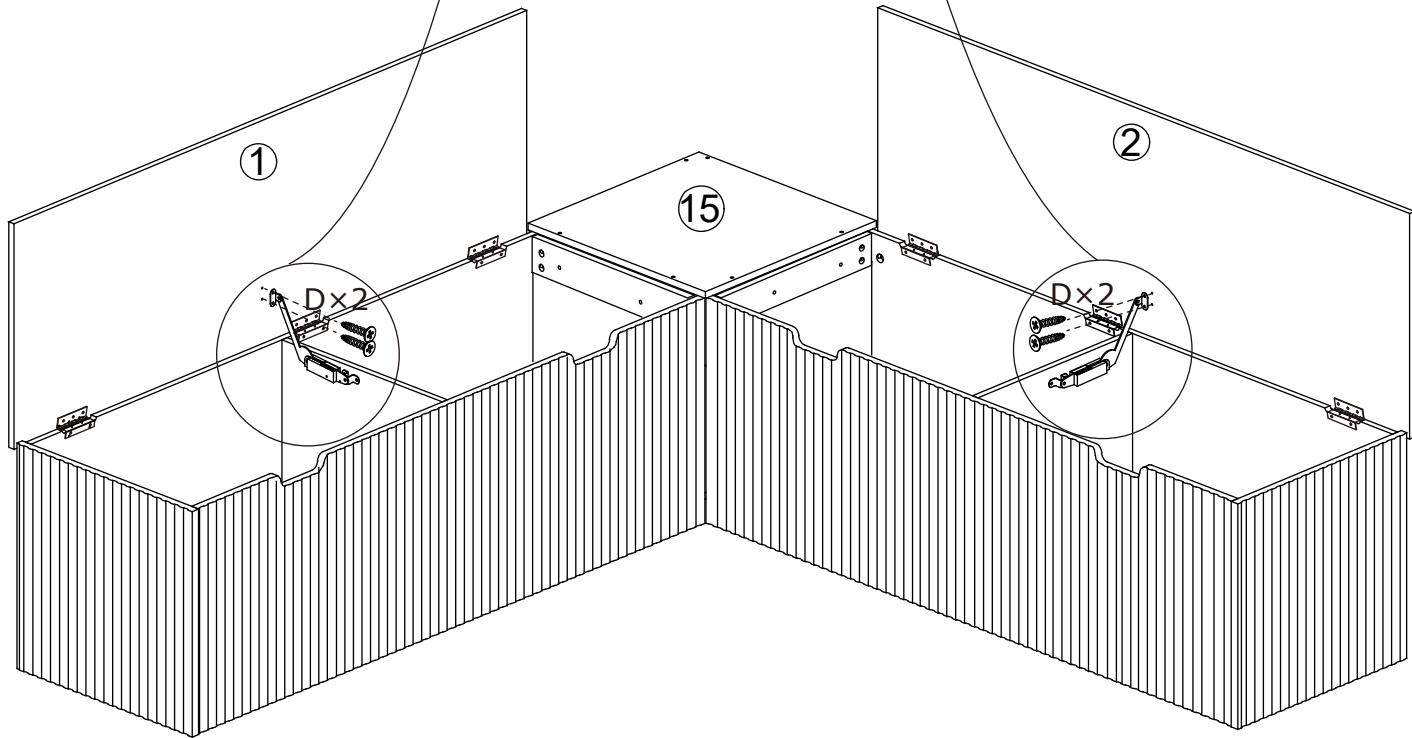
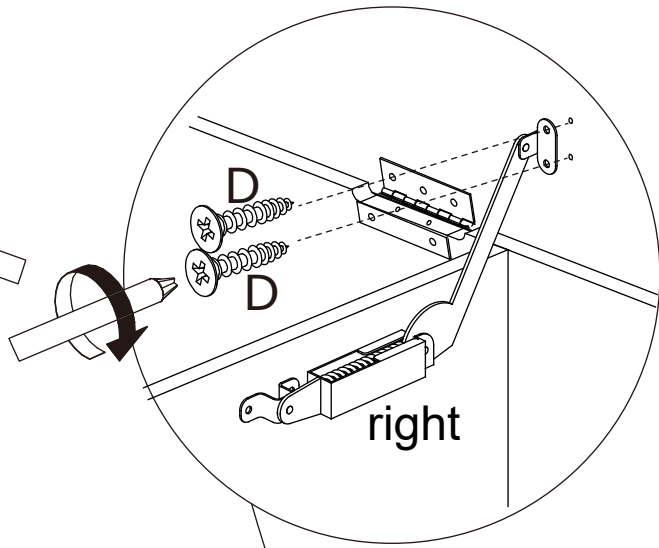
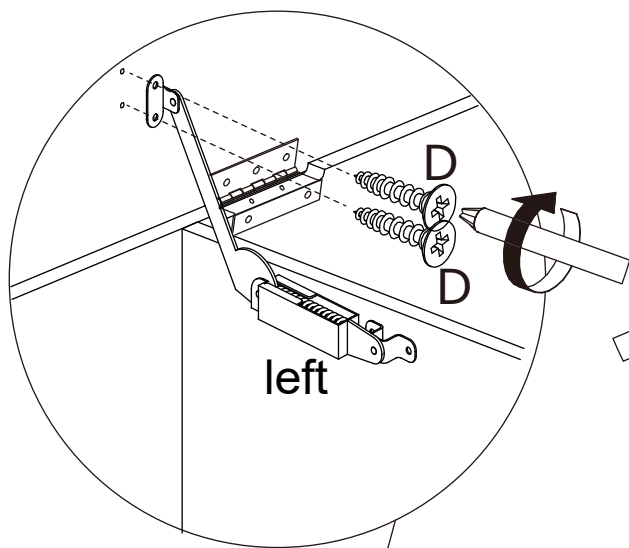
Attach board 1 to board 6 by fixing hinge with screw(D) as shown.
Attach board 2 to board 9 by fixing hinge with screw(D) as shown.



STEP 13



SETP 14



SETP 15

