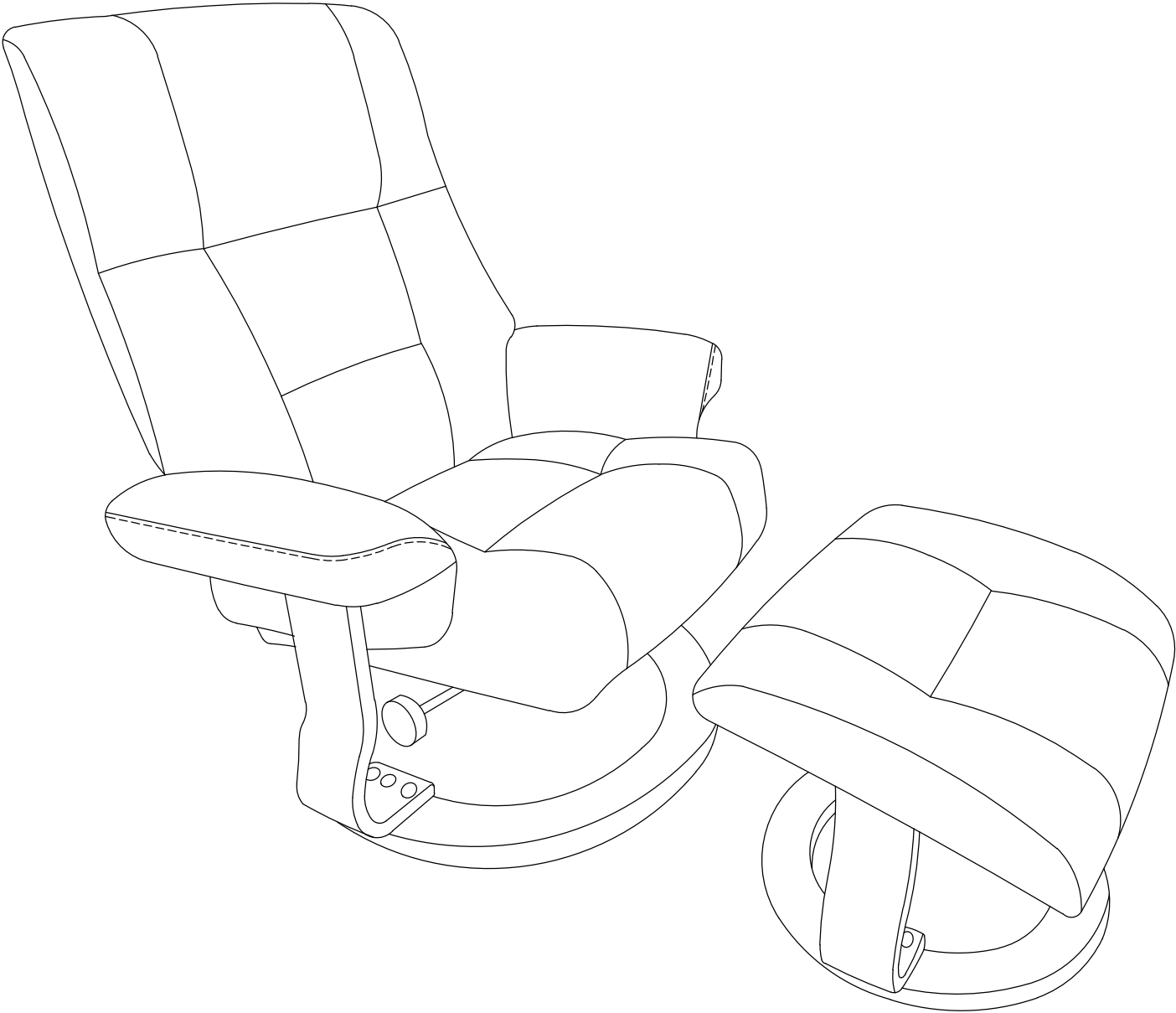


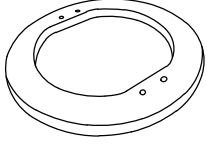

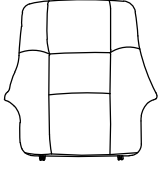
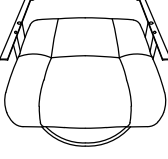

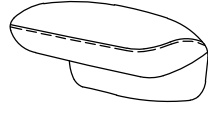
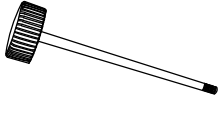



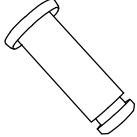
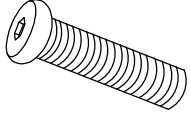
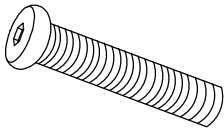
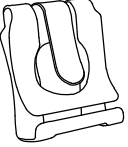
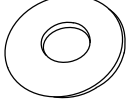
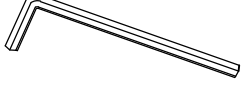
ASSEMBLY INSTRUCTION



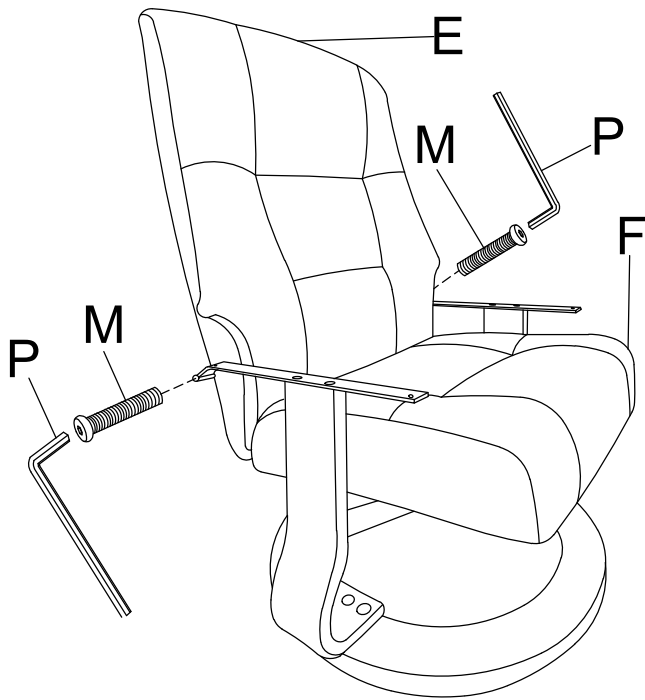
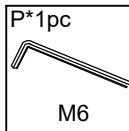
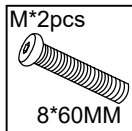
Component List

LABEL		DESCRIPTION	QTY	LABEL		DESCRIPTION	QTY
A		Left Leg	1	B		Right Leg	1
C		Foot on the chassis	1	D		Foot pedal bag	1
E		Backrest	1	F		Seat	1
G		Left Handrail	1	H		Right Handrail	1
J		Hand wheel	1				

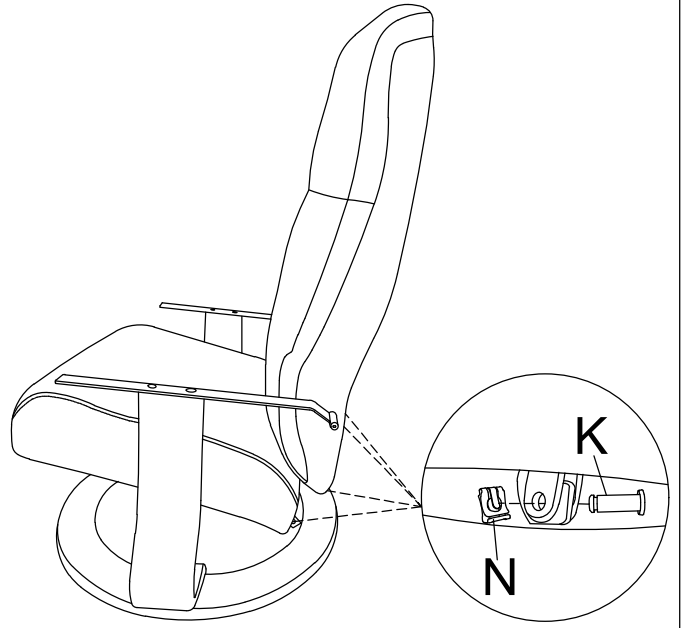
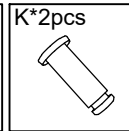
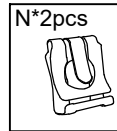
Hardware List

LABEL		DESCRIPTION	QTY	LABEL		DESCRIPTION	QTY
I	 6*25MM	Flat head screw	8	K		Plug	2
L	 8*40MM	Round head screw	4	M	 8*60MM	Round head screw	2
N		Button	2	O	 Ø8*22MM	Gasket	4
P	 M6	Wrench	1				

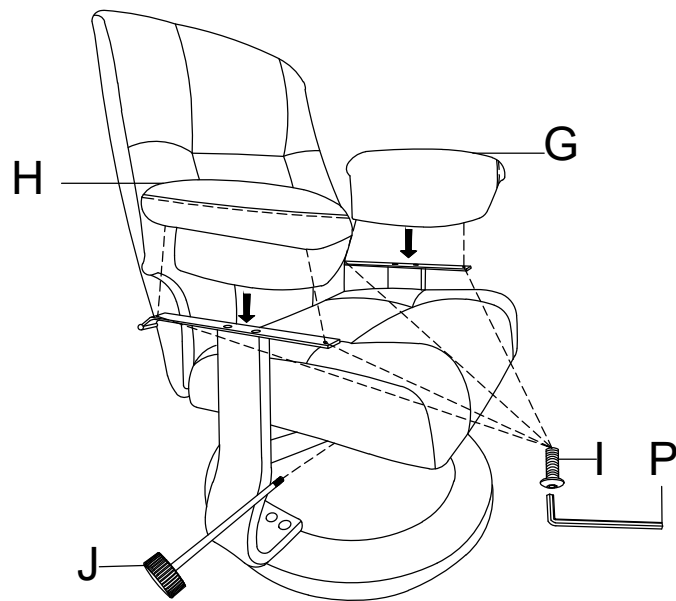
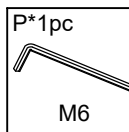
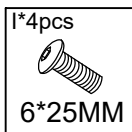
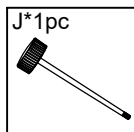
1



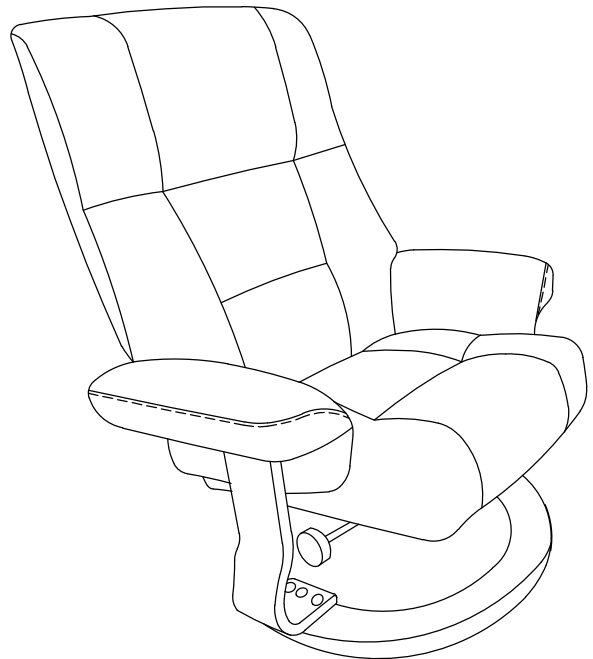
2



3



4

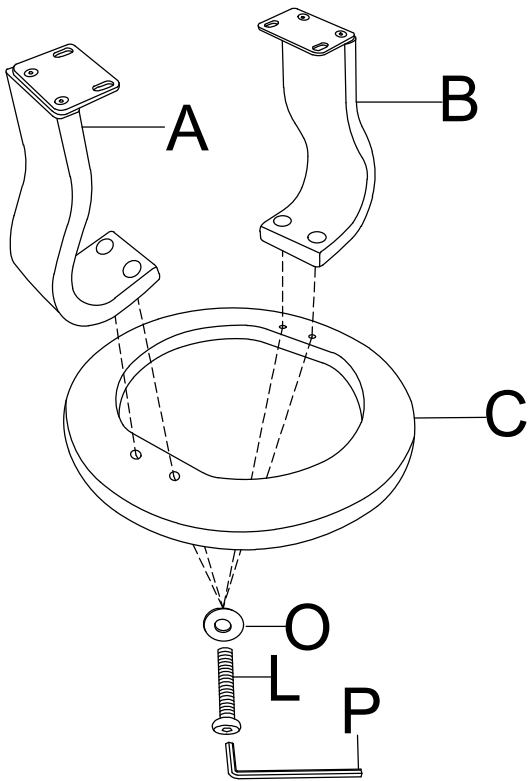
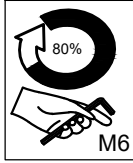


5

O*4pcs
Ø8*22MM

L*4pcs
8*40MM

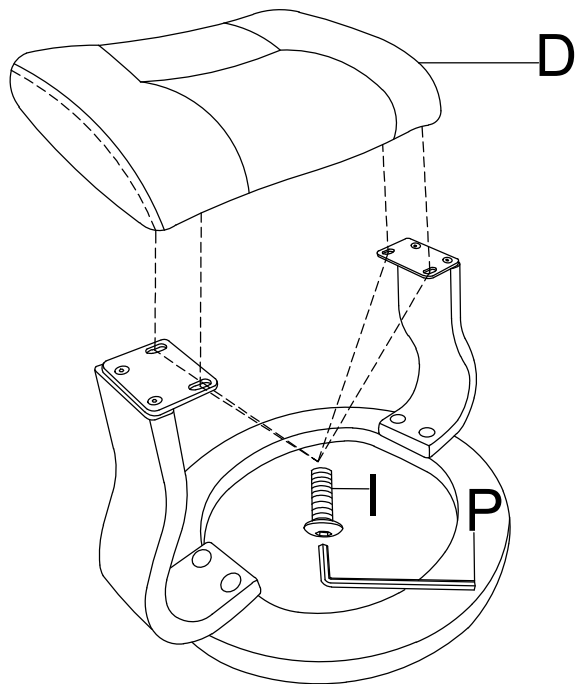
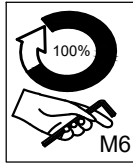
P*1pc
M6



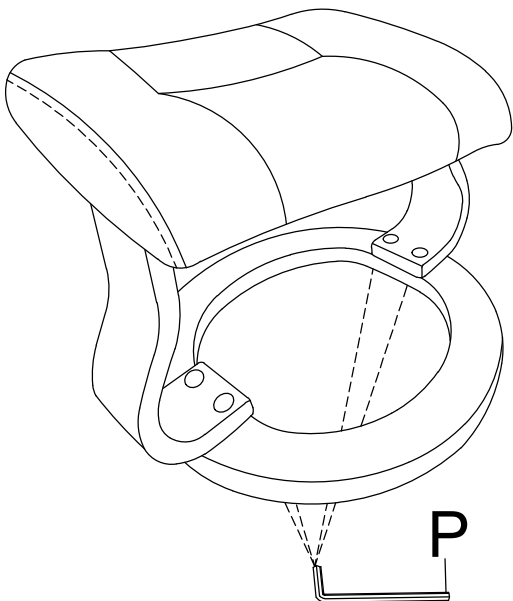
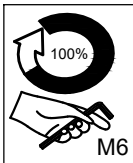
6

I*4pcs
6*25MM

P*1pc
M6



7



8

