

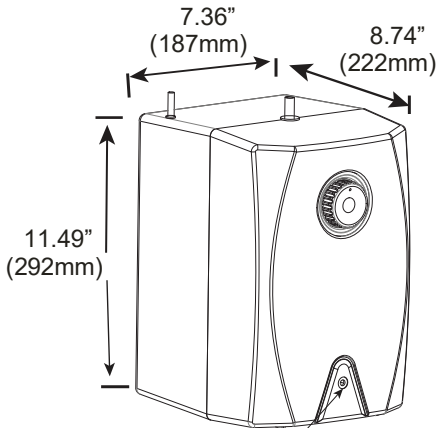
American Standard

Instant Hot Water Dispenser

Model# ASH-110

- STAINLESS STEEL HEATER ELEMENT
- STAINLESS STEEL INLET, AND OUTLET TUBES
- COMPATIBLE WITH RO SYSTEM

Dimensions



Indicator Light

- Red Light (heating to maximum adjustment)
- Green Light (tank is fully heated)

INSTALLATION:

Easy to install quick-connect fittings and convenient connections reduce probability of kinked or twisted water lines.

CONSISTENT PERFORMANCE:

780 WATT HEATING allows fast recovery time. A large 2.5 quarts (2.4L) reservoir delivers a generous 40-60 cups per hour capacity.

RELIABLE PERFORMANCE:

Due to the high temperature of the water, the tank is not under pressure. Our self-contained expansion chamber reduces dripping.

FINGERTIP ADJUSTMENT:

200°F (93°C) hot water at your fingertips adjusts from 140°F (60°C) to 200°F (93°C). Great for cooking, instant coffee, tea or use in a wet bar.

AUTOMATED HEATER PROTECTION:

Self re-setting thermal fuse protects the product in the event of a dry start up.

ENERGY EFFICIENT:

Uses less electricity than a 40 watt light bulb. Comes with installed power cord.

WARRANTY:

1 Year Canada and USA

Specifications

Watts	780
Voltage	120V
Current-Amps	6.5
Hz	50/60Hz
Tank	Insulated stainless steel
Capacity	2.5 Quarts (2.4L) 40-60 Cups Per Hour
Temperature Range	Adjustable from 140°F (60°C) to 200°F (93°C)
Outside Case	Powder coated steel
Drain Plug	Removable
Faucet	Open vent faucet required (Supplied Separately)
WaterConnections	Quick connect
Weight	1 ASH-110 w/o faucet Shipping 10.2 lbs. (4.62 Kg)

Due to continued product improvement, system configurations and specifications may change without notice.

Customer Service
 Servicio al Cliente
 1-833-776-0014
 Monday- Friday 8:00am-5:00pm PST
 English & Spanish
 Lunes a Viernes 8:00-17:00 PST Inglés y Español

©2021 Joneca Company, LLC, All Rights Reserved

SP-ASH-110-211



Designer Faucets Available. Sold Separately.