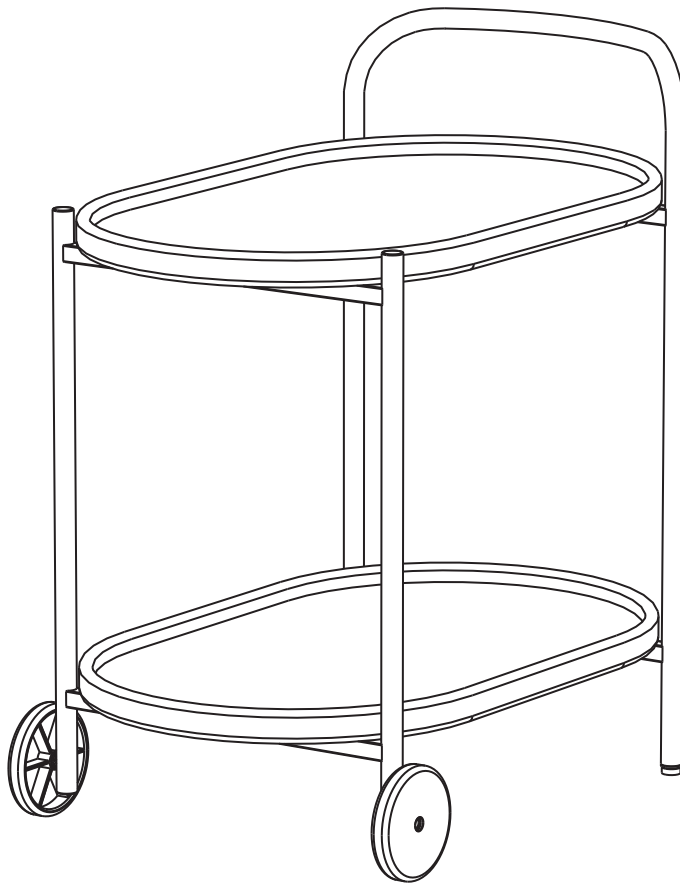


---

# RH STEEL K.D. RATTAN DINING CHAIR

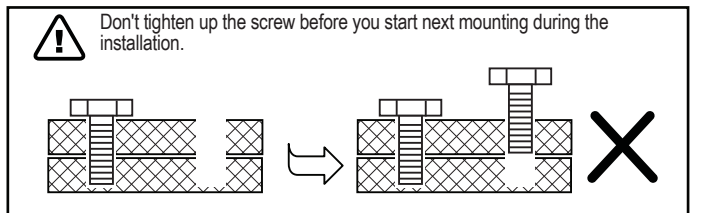
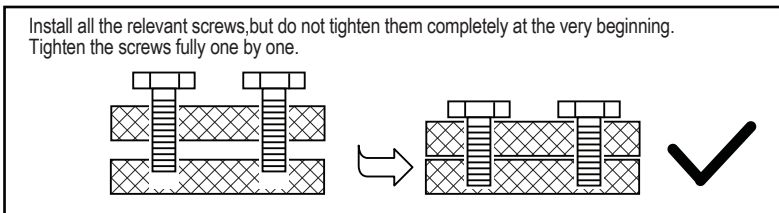
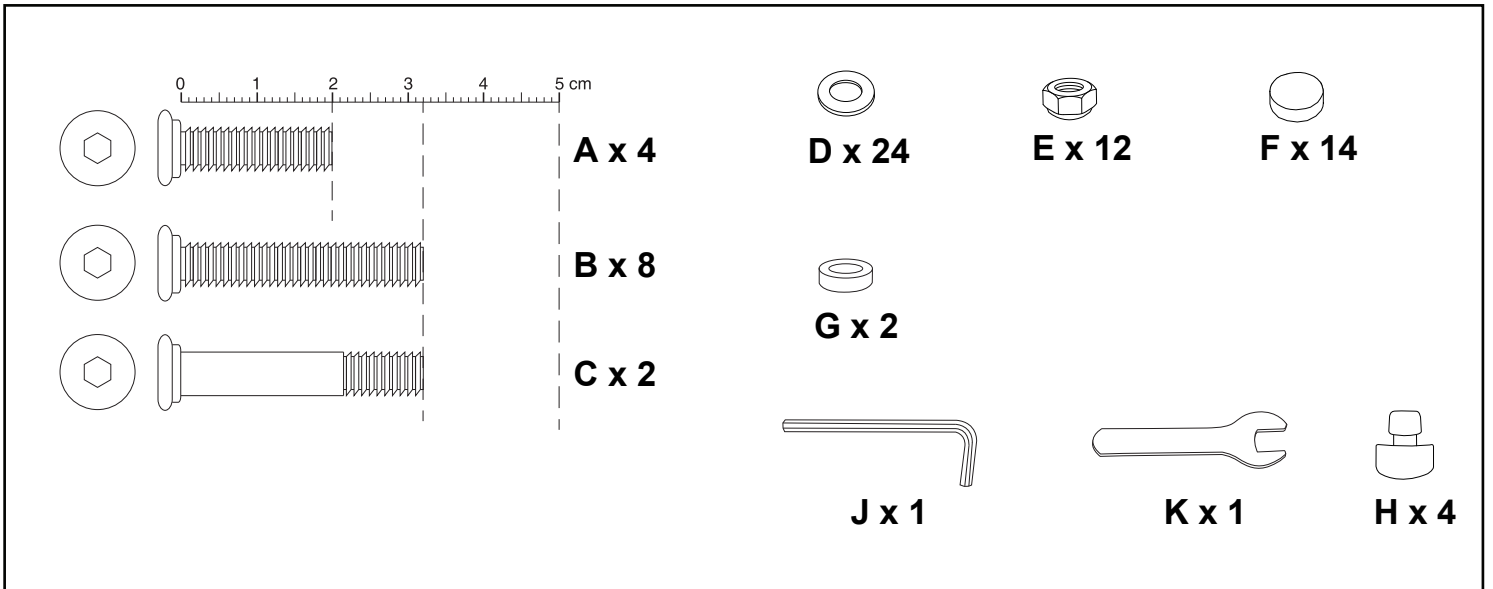
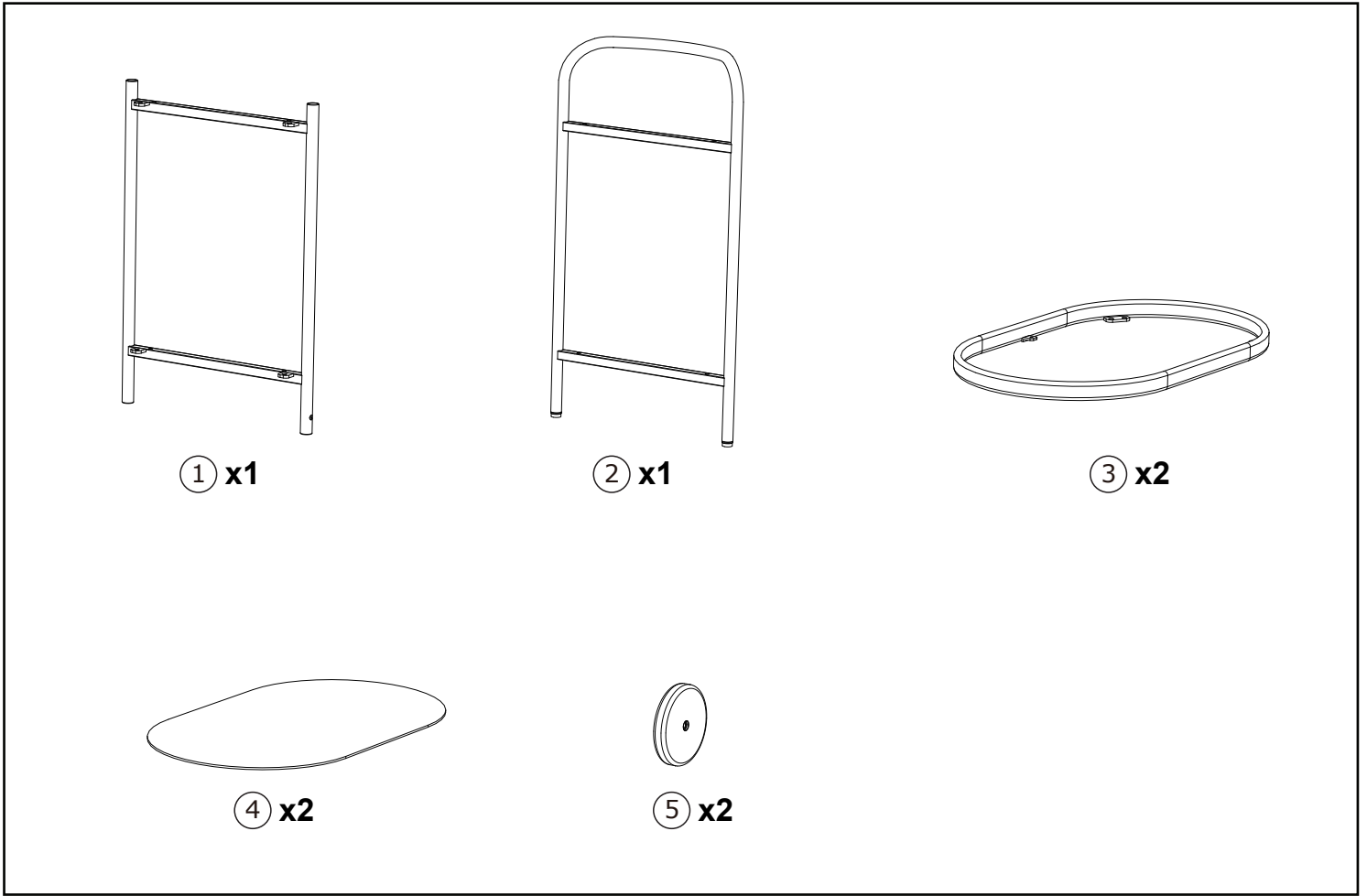
## ASSEMBLY INSTRUCTIONS



---

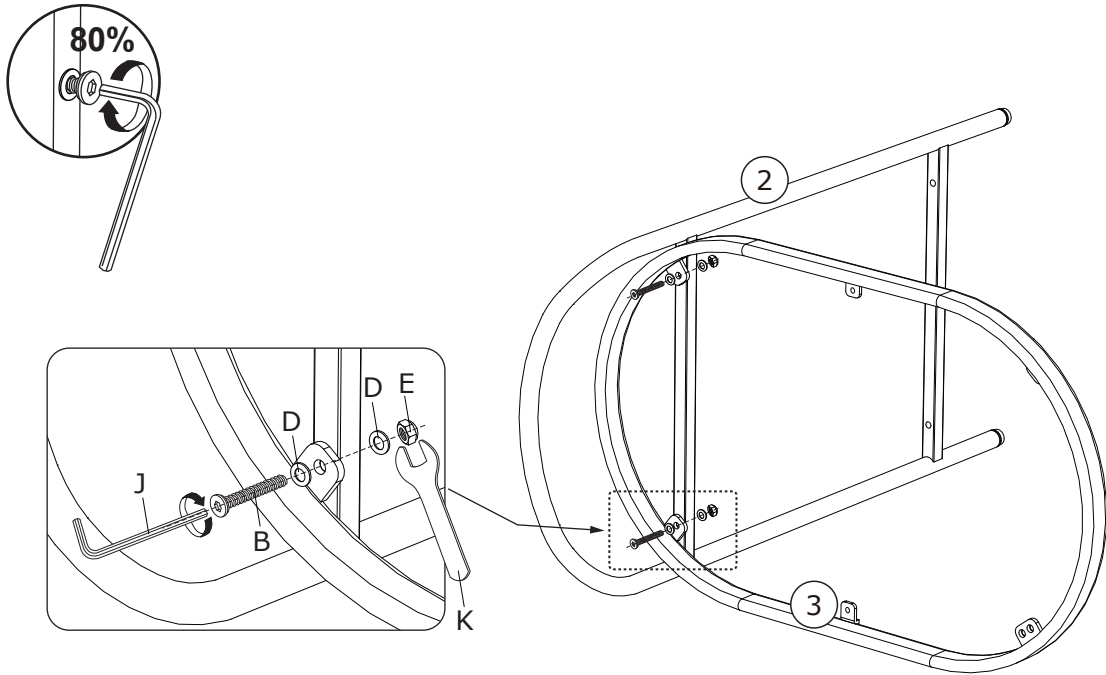
### **READ & SAVE BELOW INSTRUCTIONS BEFORE ASSEMBLY**

- 1.PLEASE SEPARATE AND IDENTIFY ALL PARTS,MAKING SURE THAT YOU HAVE ALL OF THE PARTS LISTED.
- 2.TO AVOID ANY SCRATCH DURING ASSEMBLY, PLEASE ASSEMBLE ON A SOFT MAT OR SIMILAR.
- 3.PLEASE ASSEMBLE STEP BY STEP AND FOLLOW THE INSTRUCTIONS.
- 4.WASHERS MUST BE USED.
- 5.WHILE EACH SCREW AND NUT IS PROPERLY FASTENED, DO NOT OVER FASTEN IT.
- 6.DO NOT COMPLETELY FASTEN EACH SCREW AND NUT UNTIL ALL THE SCREWS ARE PROPERLY FIXED.

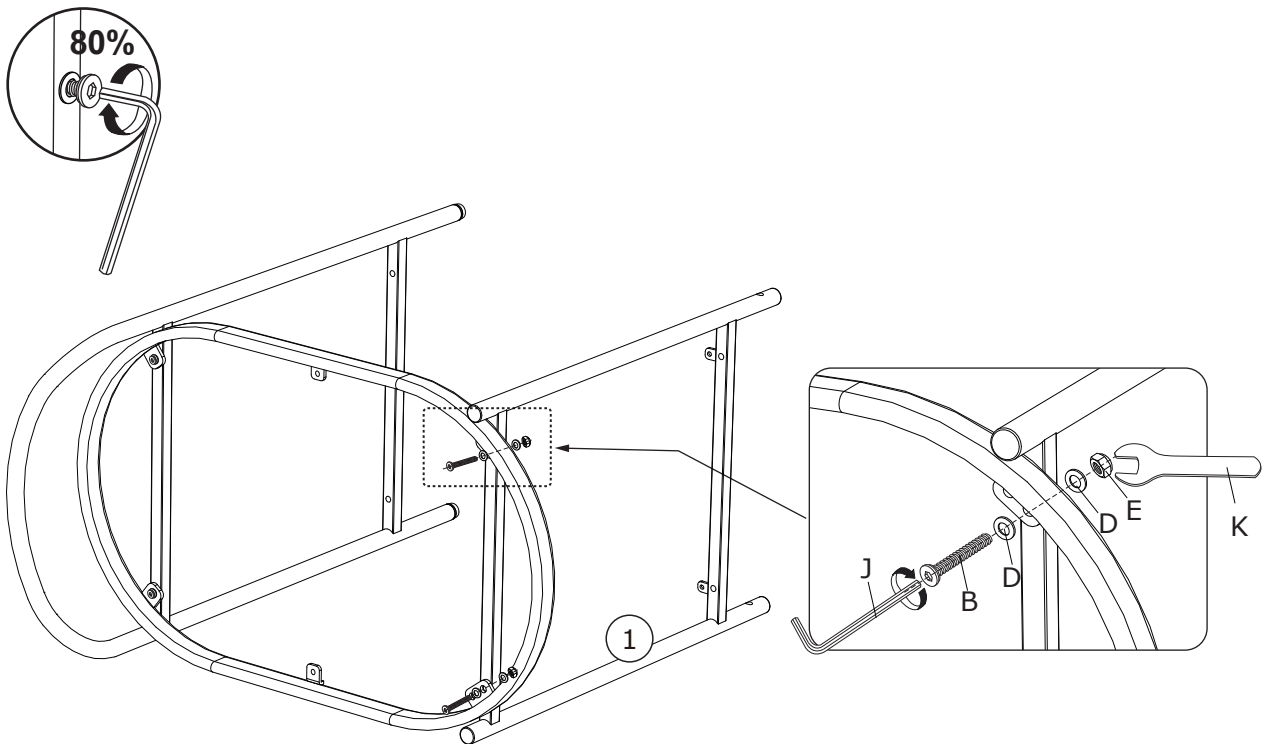


# ASSEMBLY STEPS

1

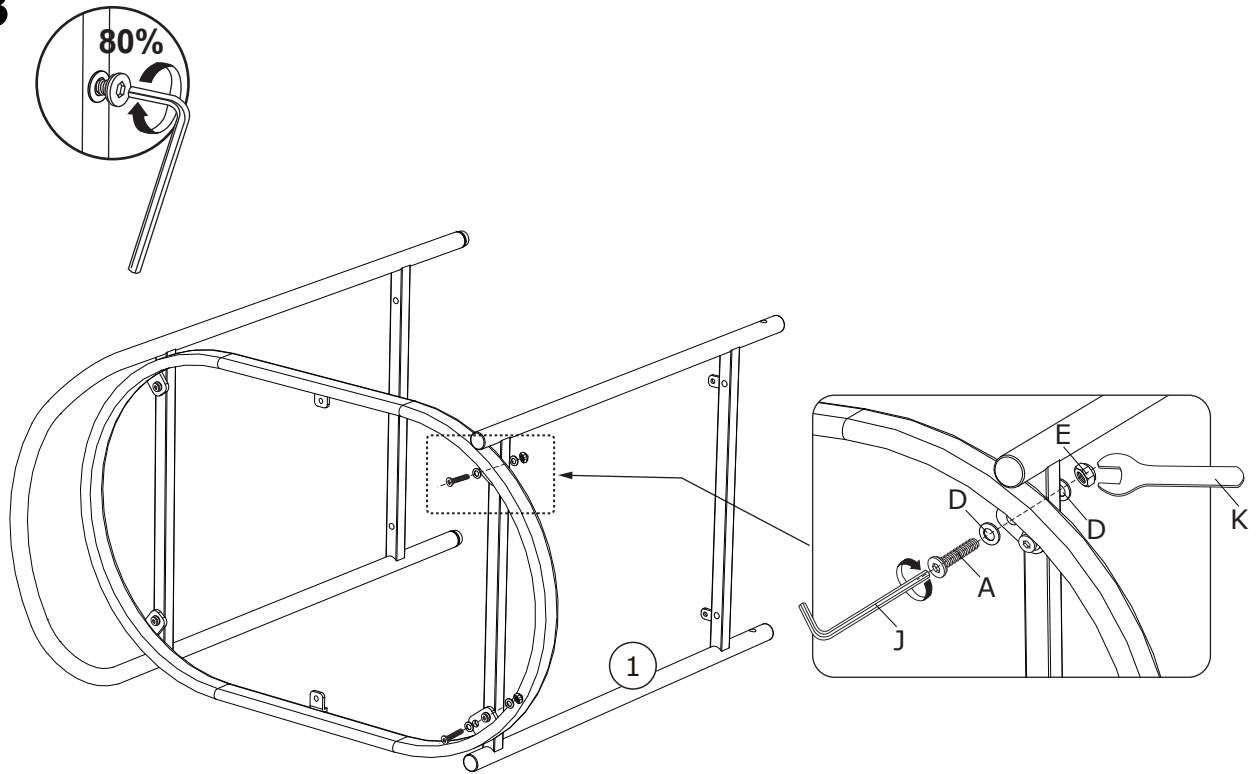


2

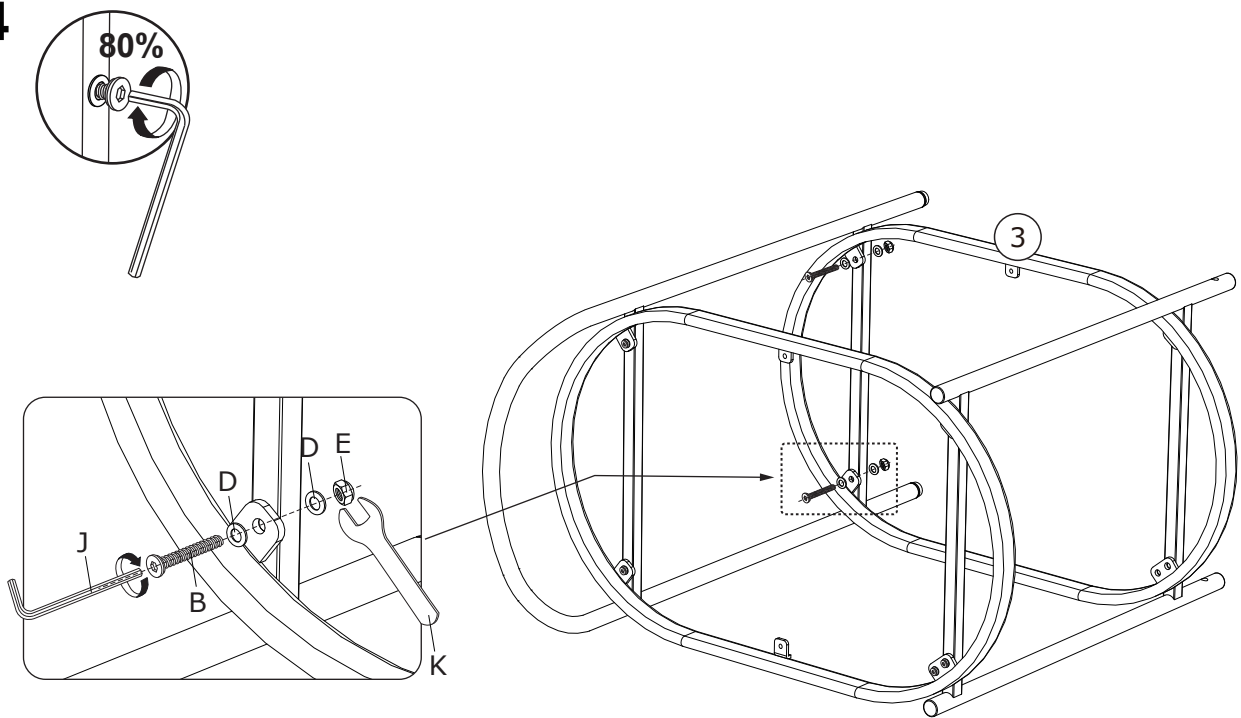


# ASSEMBLY STEPS

3

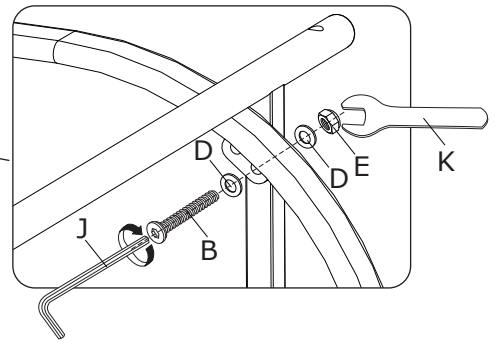
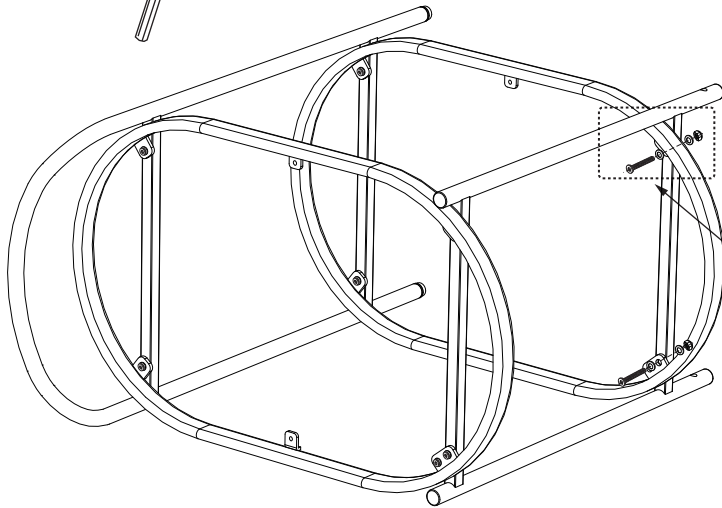
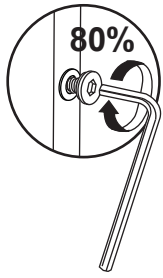


4

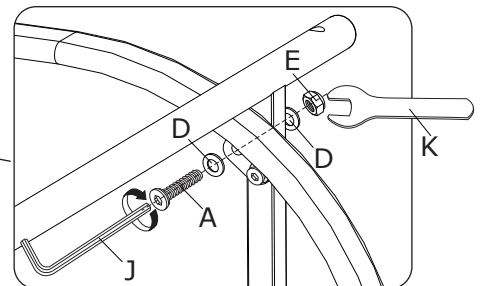
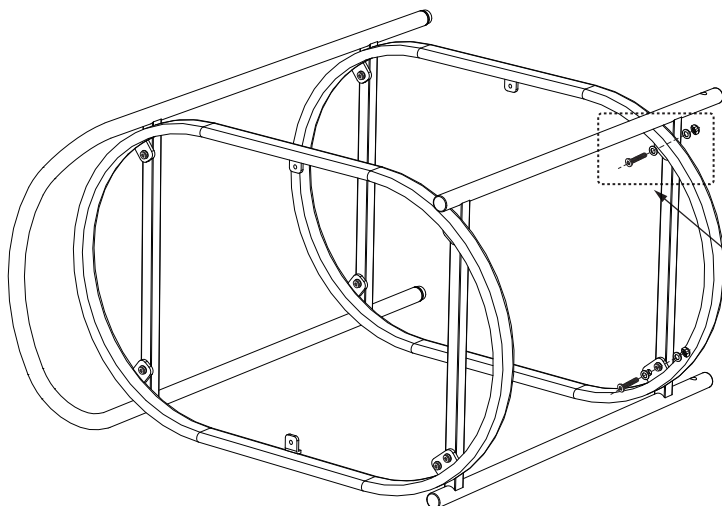
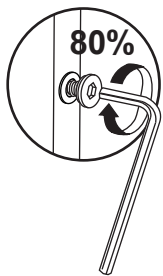


# ASSEMBLY STEPS

5

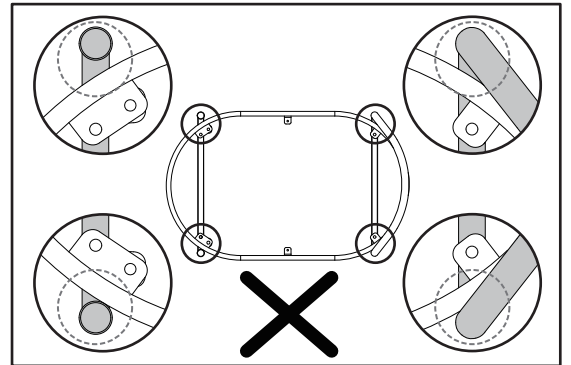
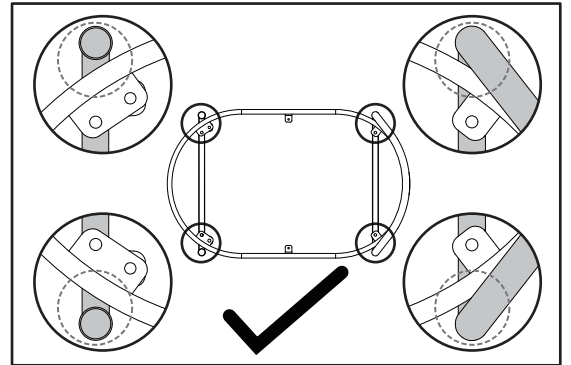
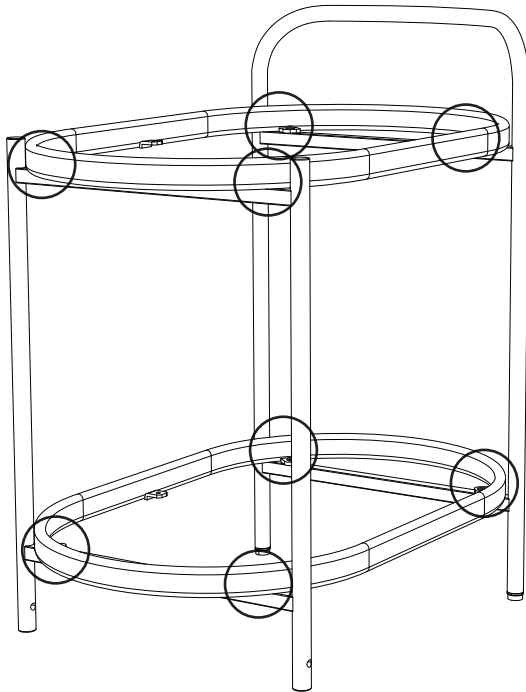
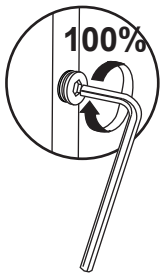


6

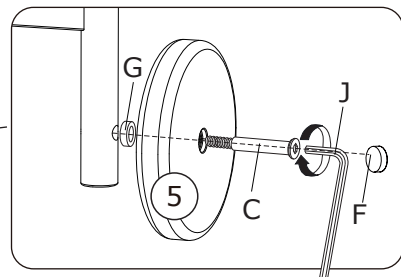
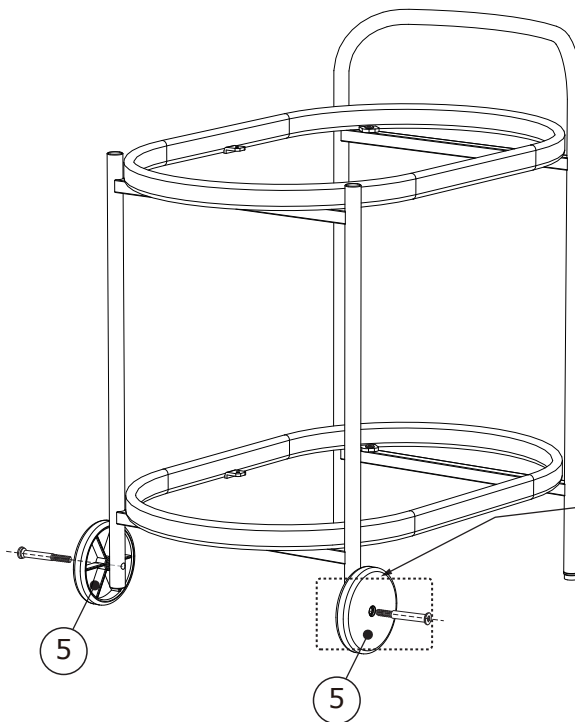


# ASSEMBLY STEPS

7



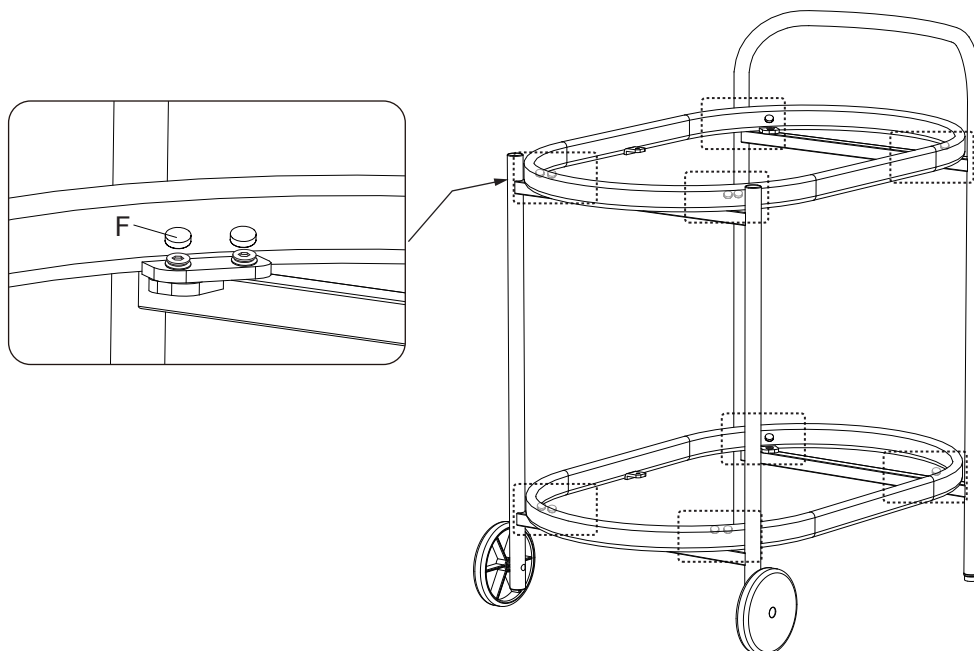
8



# ASSEMBLY STEPS

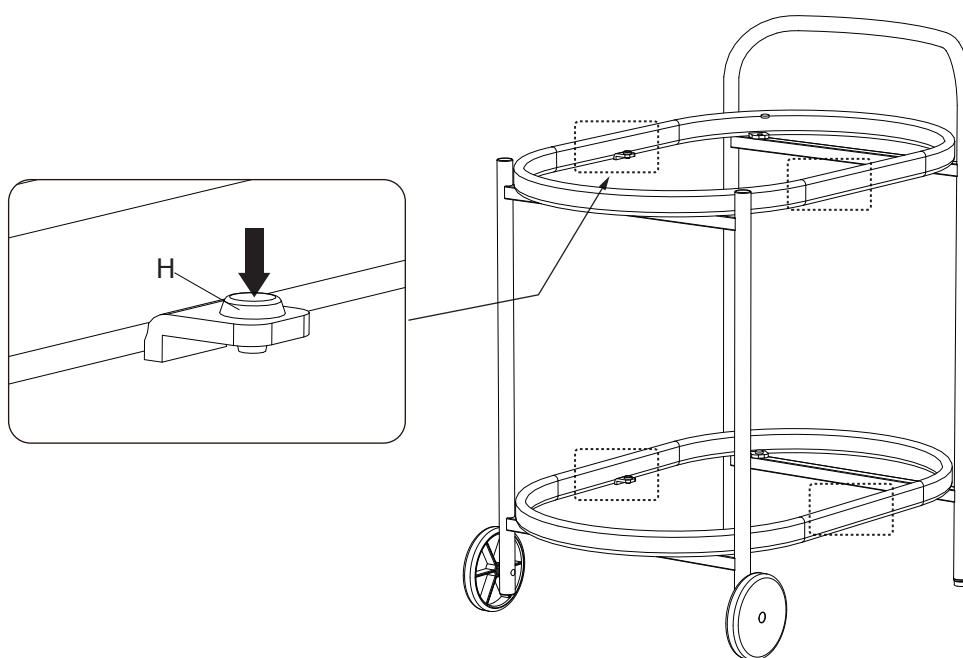
---

## 9



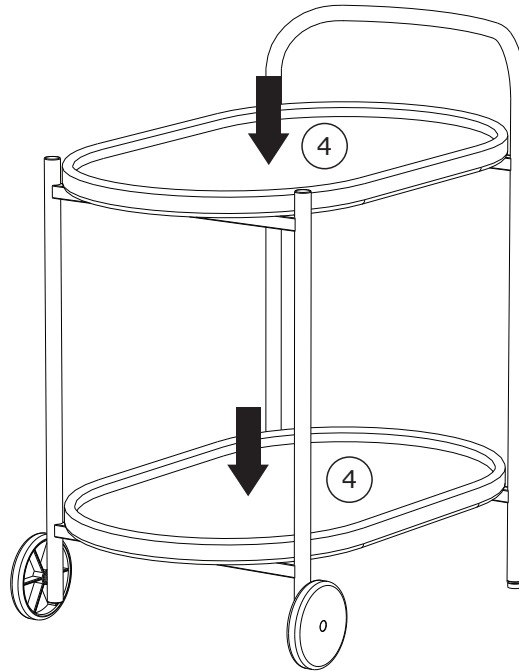
---

## 10

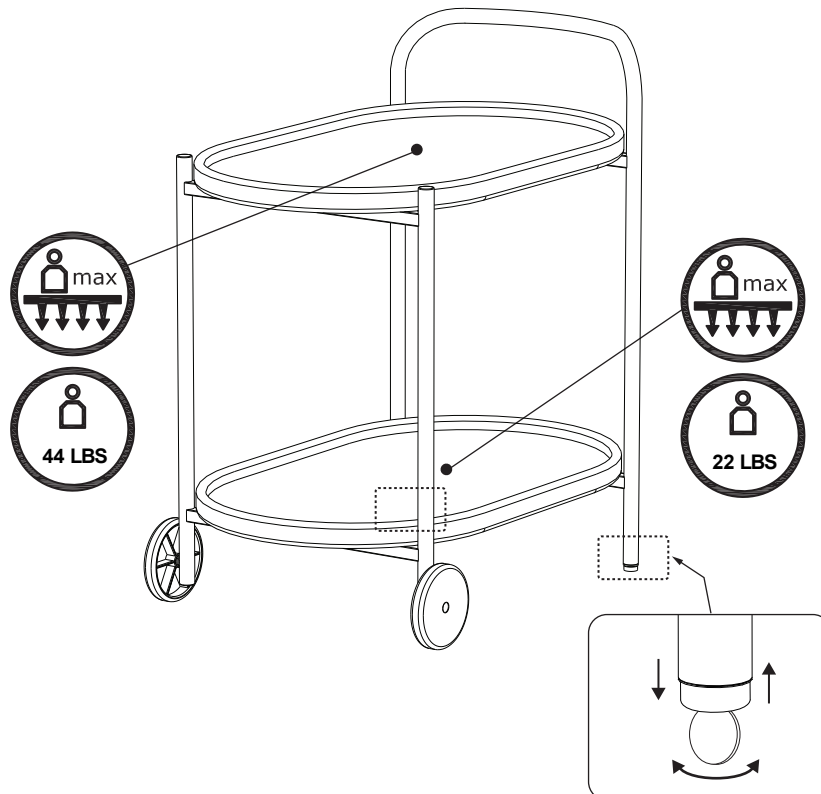


## ASSEMBLY STEPS

# 11



# 12



### CARE AND CLEANING:

1. TO CLEAN,WIPE WITH DAMP CLOTH.DO NOT USE BLEACH,ACID SOLVENTS OR ABRASIVE CLEANERS OR FRAME PARTS.
2. DURING VARYING WEATHER CONDITIONS AND WINTER PERIOD,WE STRONGLY RECOMMEND THAT IT CAN BE STORED IN A DRY AREA WITH A SUITABLE COVER BEFORE STORAGE,PLS ENSURE IT IS CLEAN AND DRY.
3. IN THE EVENT OF BARE METAL SHOWING DUE TO SCRATCH,IT IS PREFERRED TO TREAT WITH A RUST REPELLING VARNISH OR SIMILAR.
4. PERIODICALLY CHECK AND ENSURE THAT ALL THE SCREWS ARE COMPLETELY TIGHTENED.
5. A MATCHING FURNITURE COVER IS STRONGLY RECOMMENDED TO EXTEND THE USAGE LIFE-SPAN.