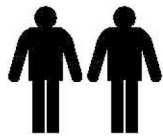


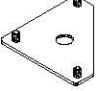
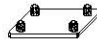




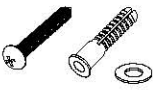
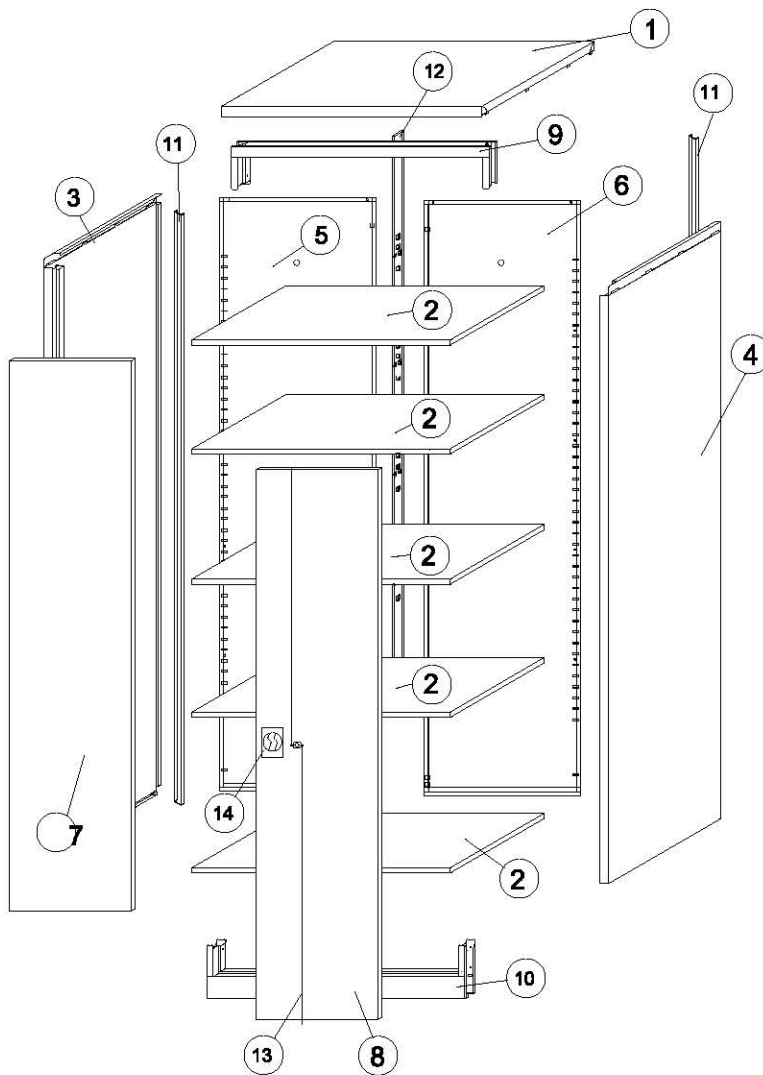


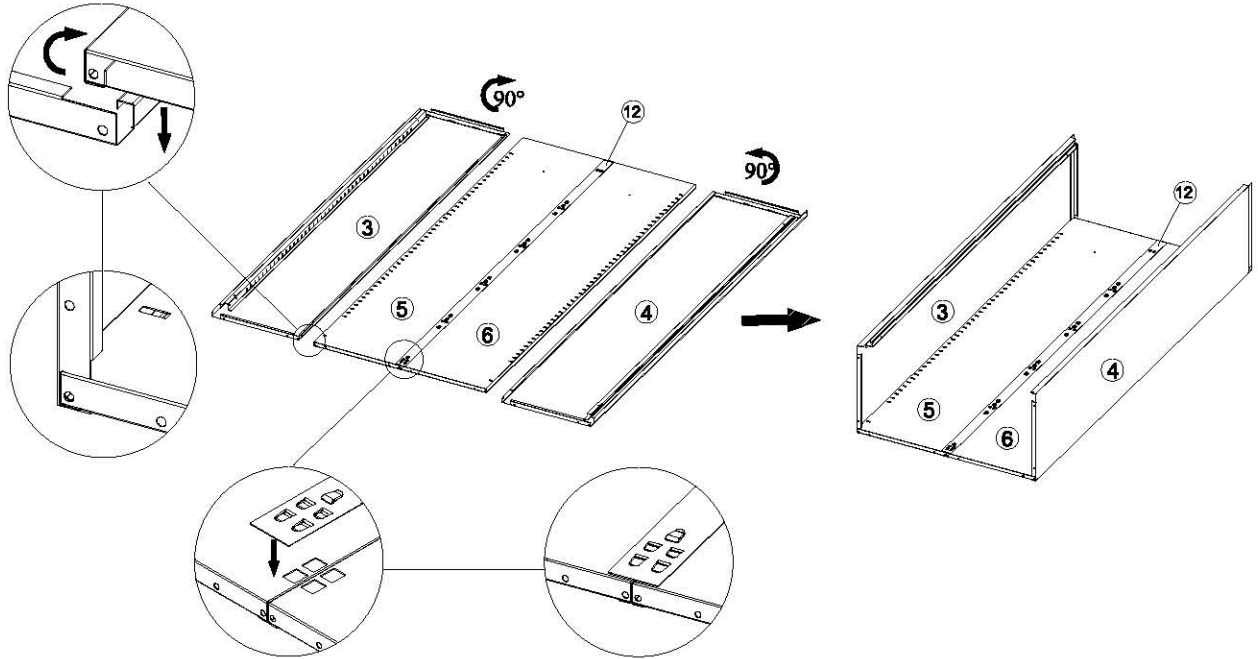
30MIN



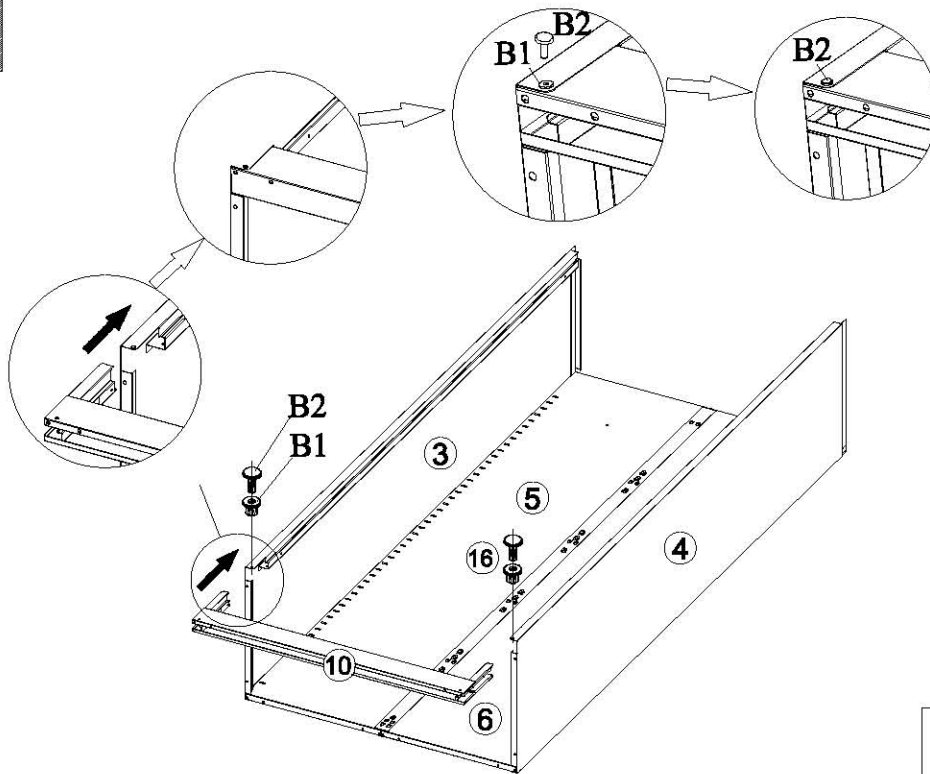
A	X20	B	X2	C	X4	D	X1	E	X2
									
F	X2	G	X4	H	X8	I	X2		
									



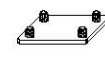
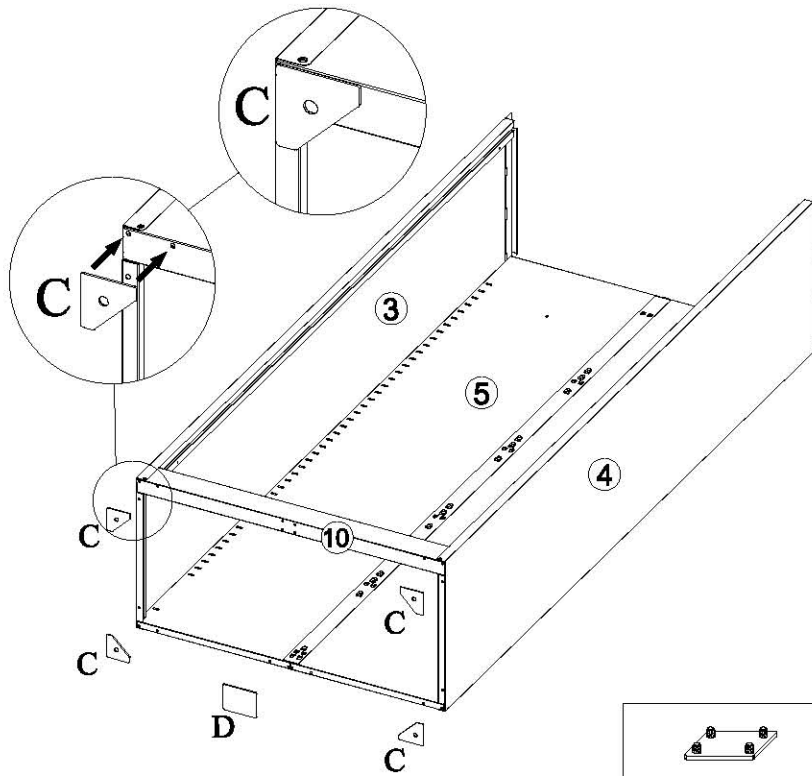
1



2



3

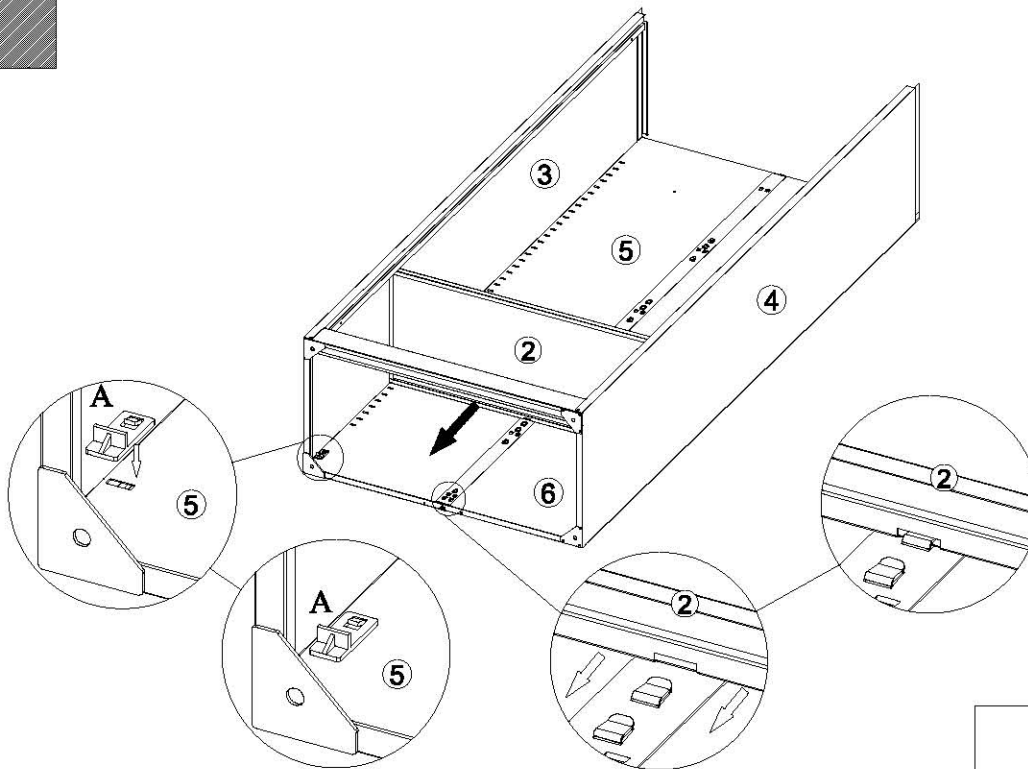


Dx1



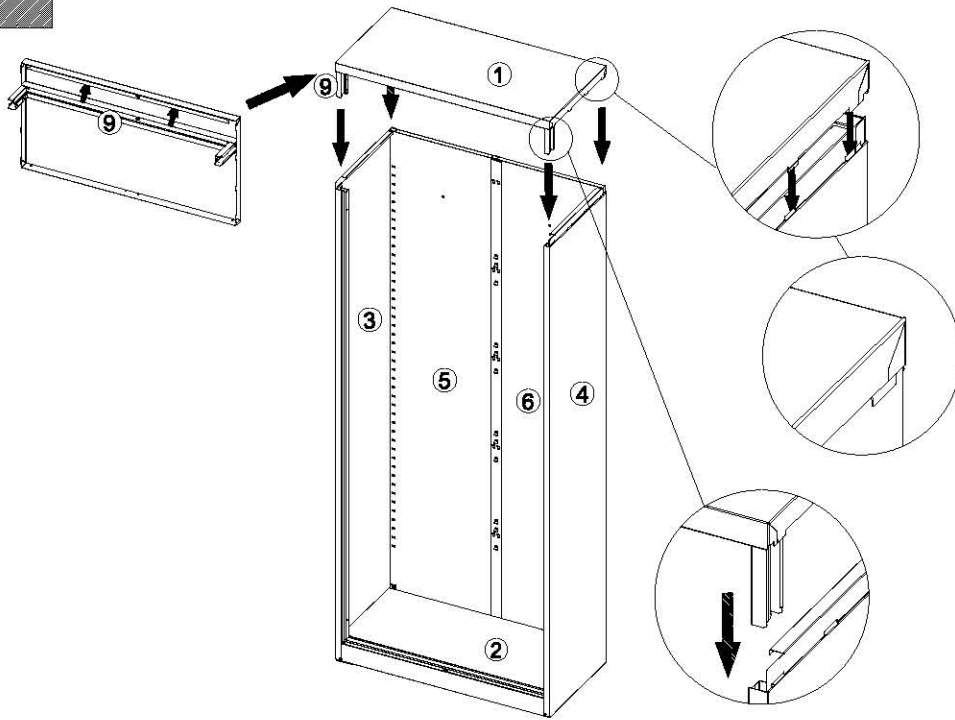
Cx4

4

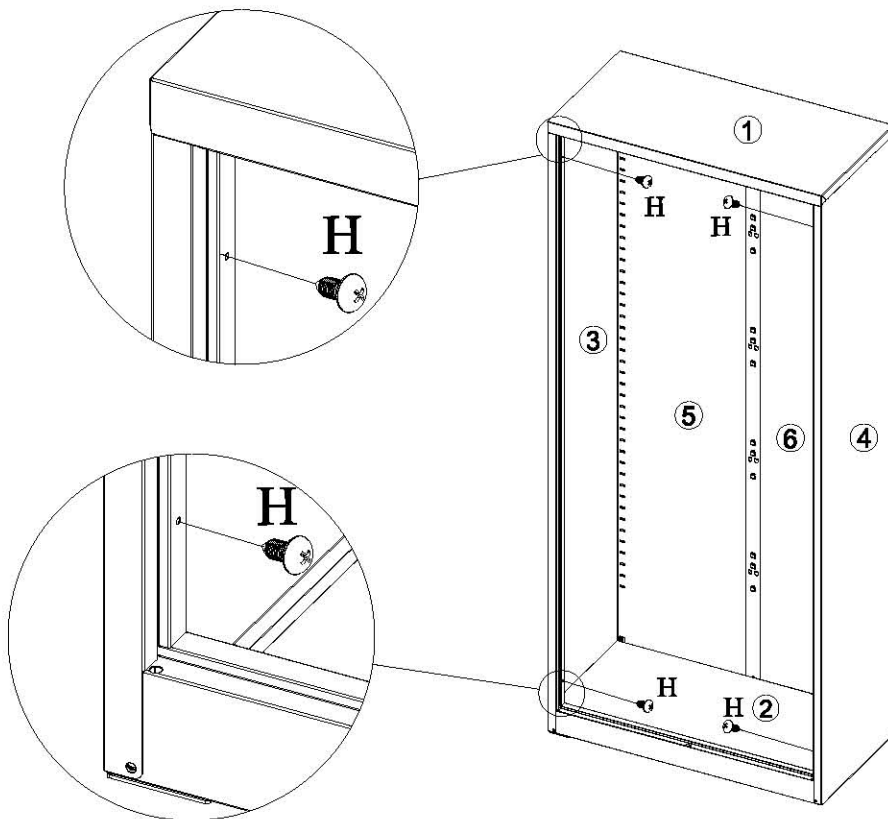


Ax4

5

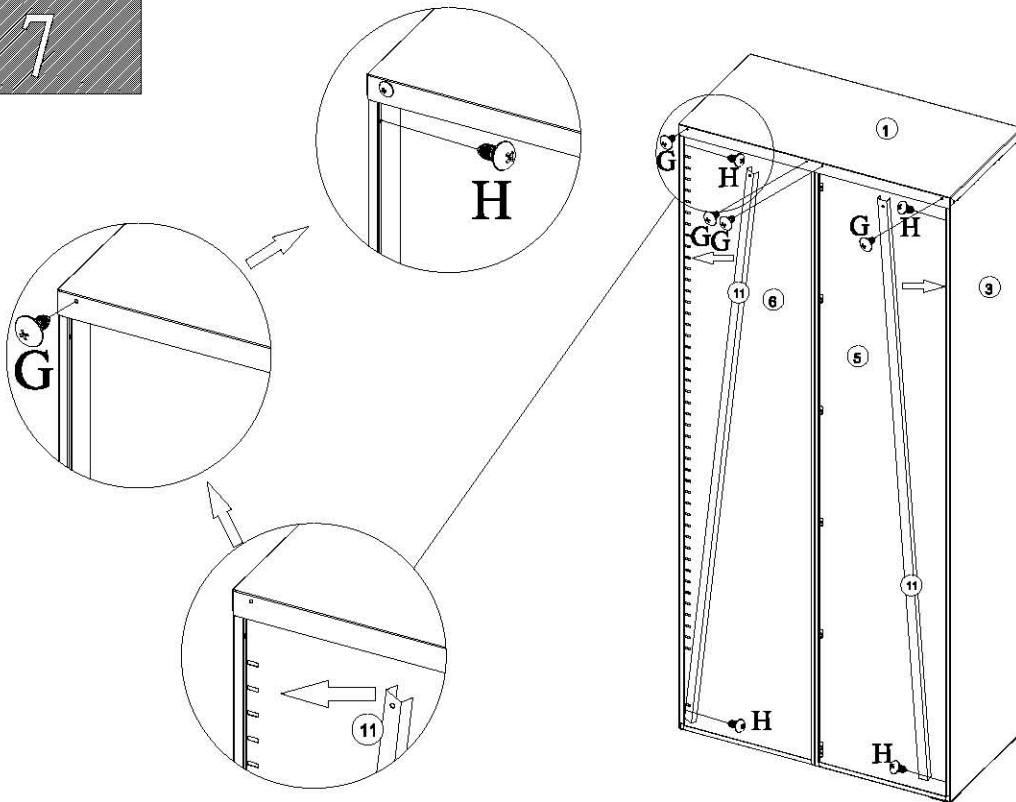


6



Hx4

7

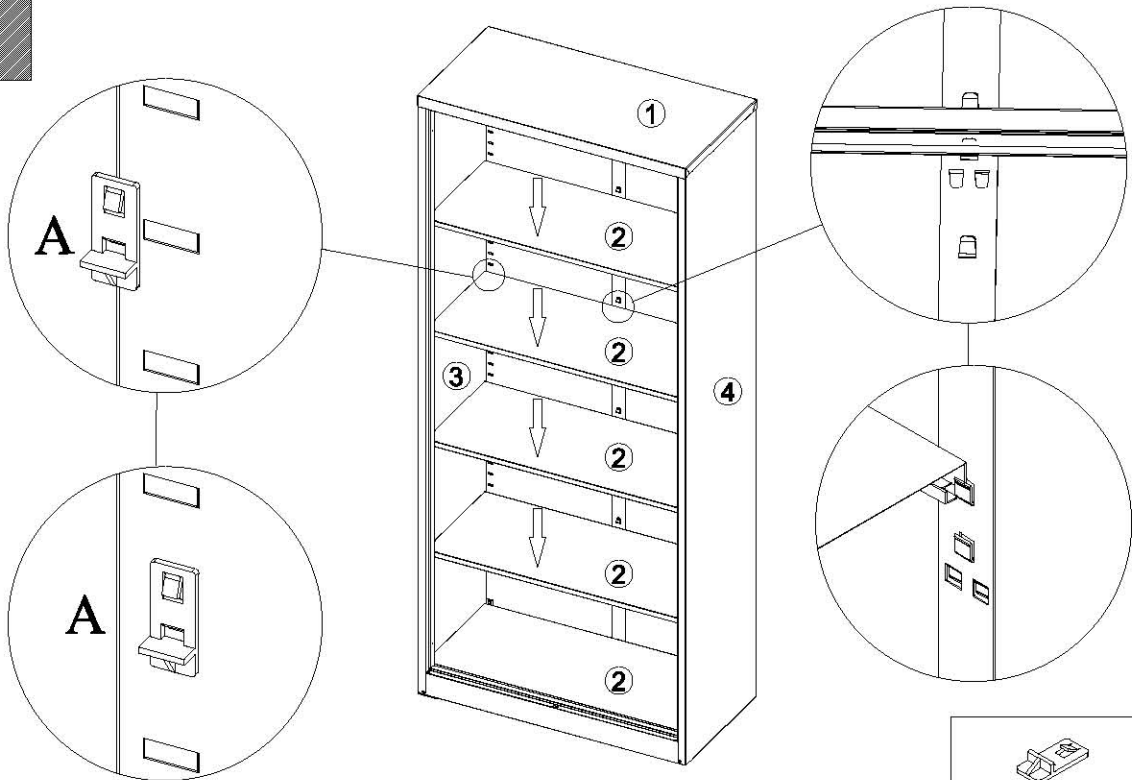


Hx4



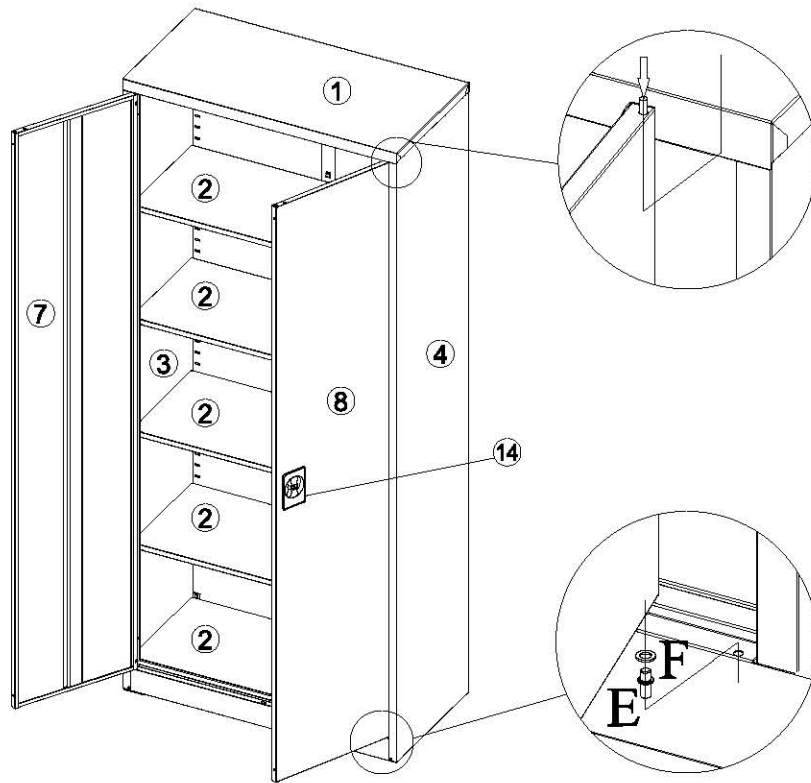
Hx4

8



Ax16

9

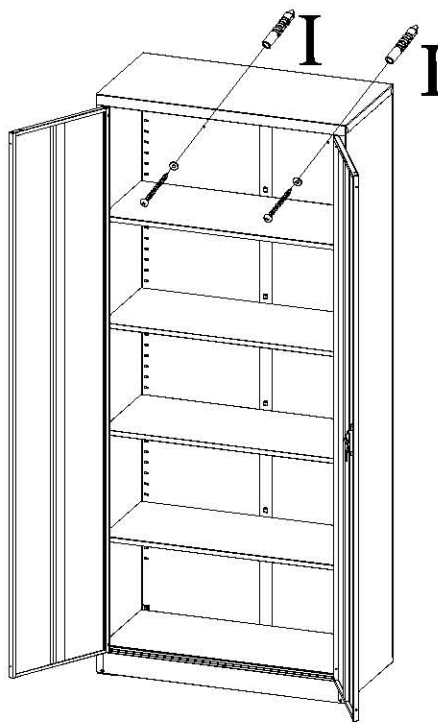


Ex2



Fx2

10



Ix2