

# PANEL LOW PROFILE

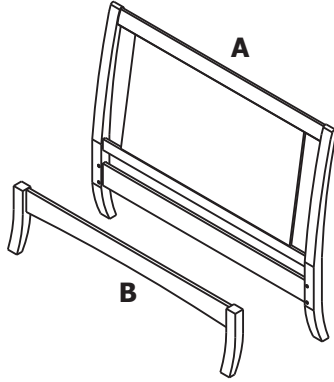
## TWIN/FULL/QUEEN SIZE

### ASSEMBLY INSTRUCTIONS

#### PARTS AND FITTING PACKAGING DETAIL

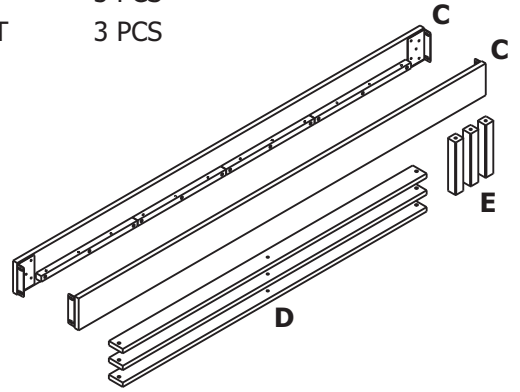
#### BOX #1

- A. HEADBOARD 1 PC
- B. FOOTBOARD 1 PC

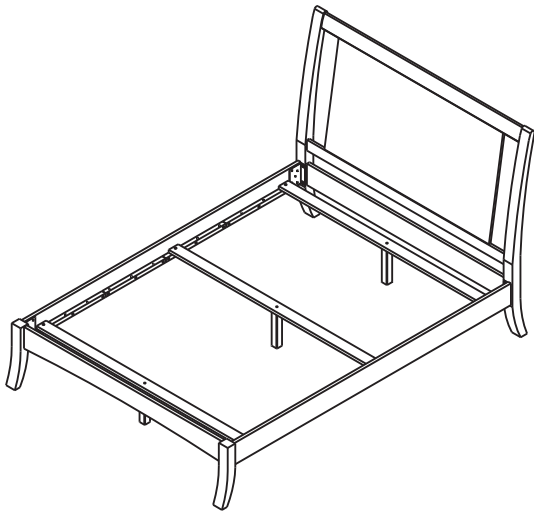


#### BOX #2



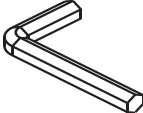
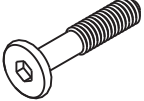

- C. SIDERAILS 2 PCS
- D. BED SLATS 3 PCS
- E. LEG SUPPORT 3 PCS
- HARDWARE BOX



#### PANEL LOW PROFILE ASSEMBLED

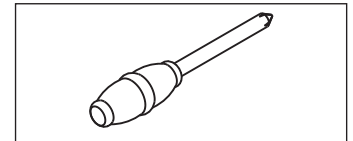


#### HARDWARE PACKED IN BOX #2

1	PHILLIPS HEAD BOLT 20MM	8 PCS	2	WOOD SCREW Ø8X30MM	6 PCS			
								
3	ALLEN KEY	1 PC	4	ALLEN BOLT 40MM	3 PCS	5	WASHERS 8MM	8 PCS
								

#### TOOL REQUIRED :

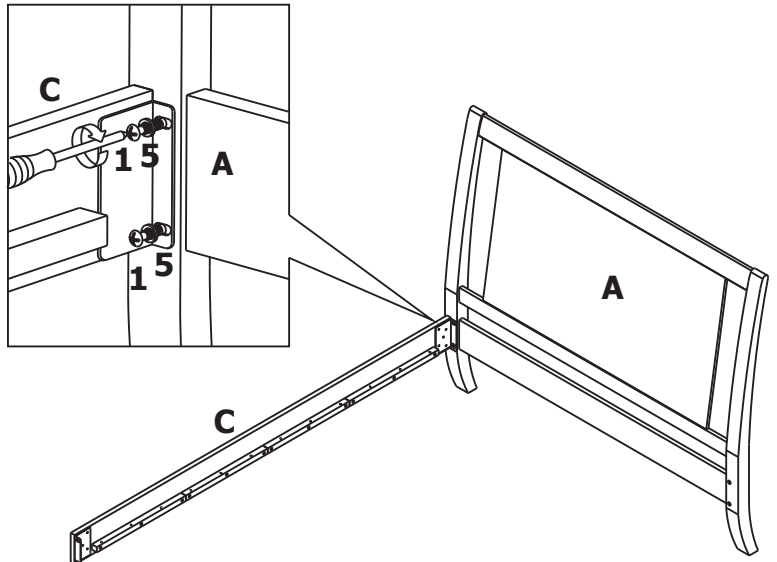
PHILLIPS HEAD SCREW DRIVER (NOT PROVIDED)



#### STEP 1 :

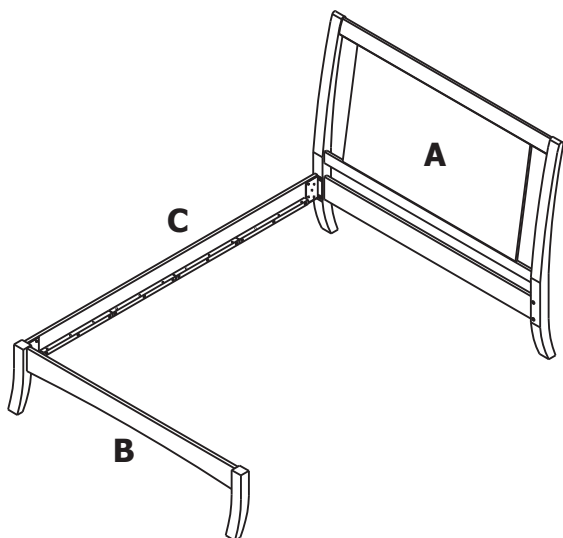
FIX ONE OF THE SIDERAILS (C) TO THE HEADBOARD (A) USING PHILLIPS HEAD BOLTS (1) AND WASHERS (5).

DO NOT TIGHTEN BOLTS COMPLETELY UNTIL ASSEMBLY IS COMPLETED

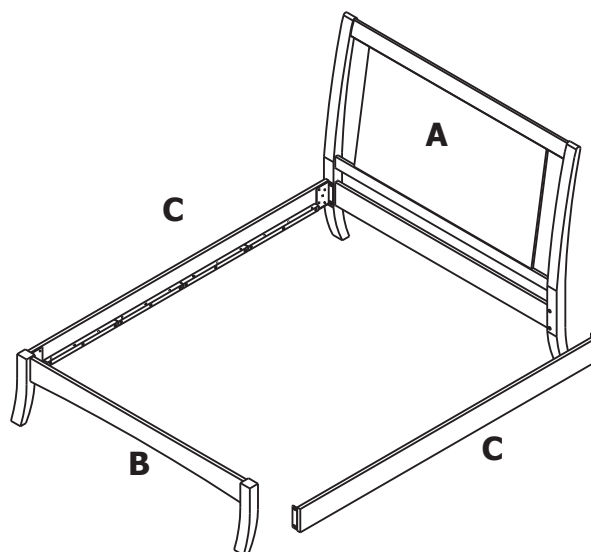


**STEP 2 :**

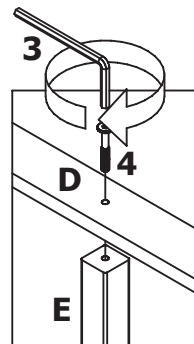
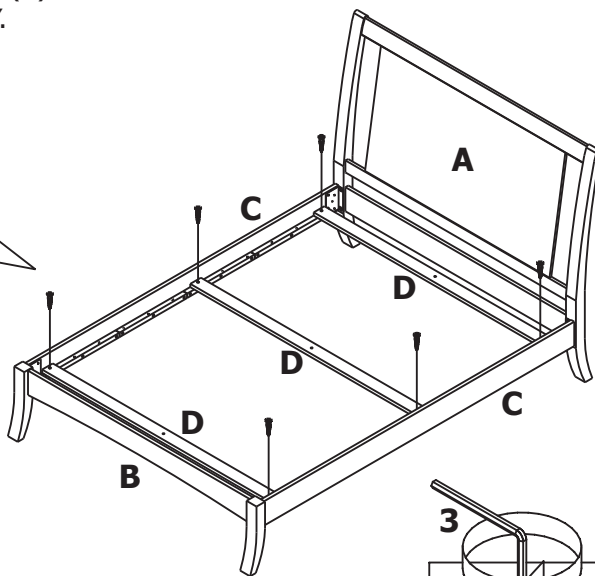
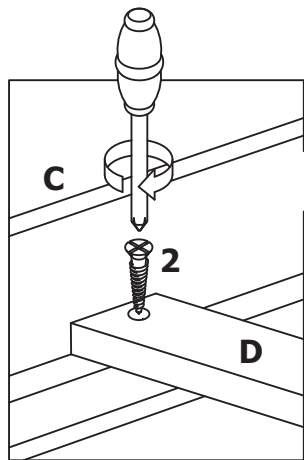
FIX THE OTHER END OF THE SIDERAIL (C) TO THE FOOTBOARD (B).

**STEP 3 :**

FIX THE OTHER SIDERAIL (C) TO THE HEADBOARD (A) AND FOOTBOARD (B).

**STEP 4 :**

FOLLOW THE ILLUSTRATION TO PLACE THREE BED SLATS (D) ON THE BED FRAME AND SECURE THE BED SLATS (D) USING WOOD SCREWS (2). USE THE PILOT HOLES ON THE SIDERAILS (C) AS YOUR REFERENCE FOR EASY ASSEMBLY.

**STEP 5 :**

FOLLOW THE ILLUSTRATION TO FIX THE LEG SUPPORT (E) TO BED SLATS (D) USING ALLEN BOLTS (4). USE ALLEN KEY (3) TO TIGHTEN THE BOLTS. MAKE SURE ALL BOLTS AND SCREWS ARE TIGHTENED BEFORE USING.

