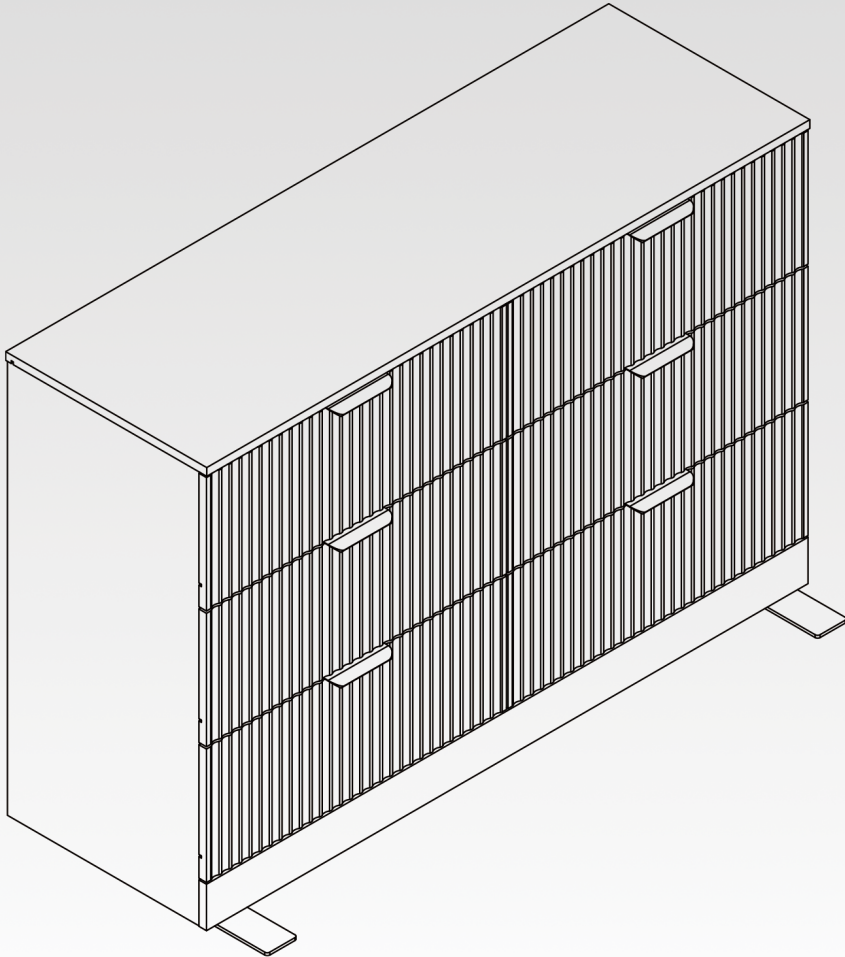


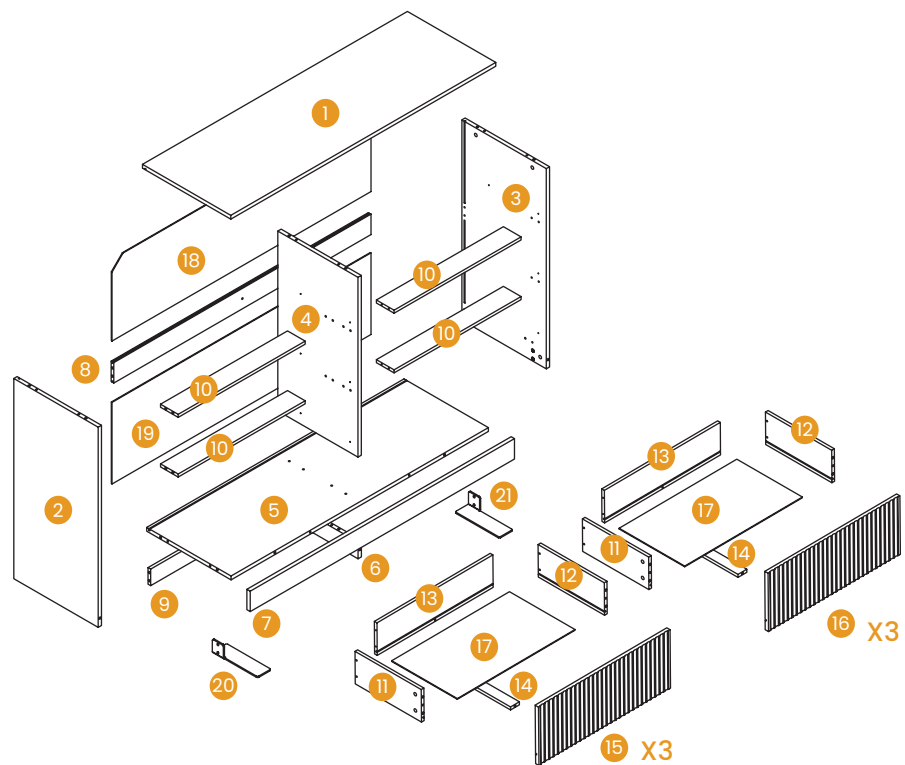
DP14

ASSEMBLY & INSTRUCTION MANUAL



CHEST OF DRAWERS

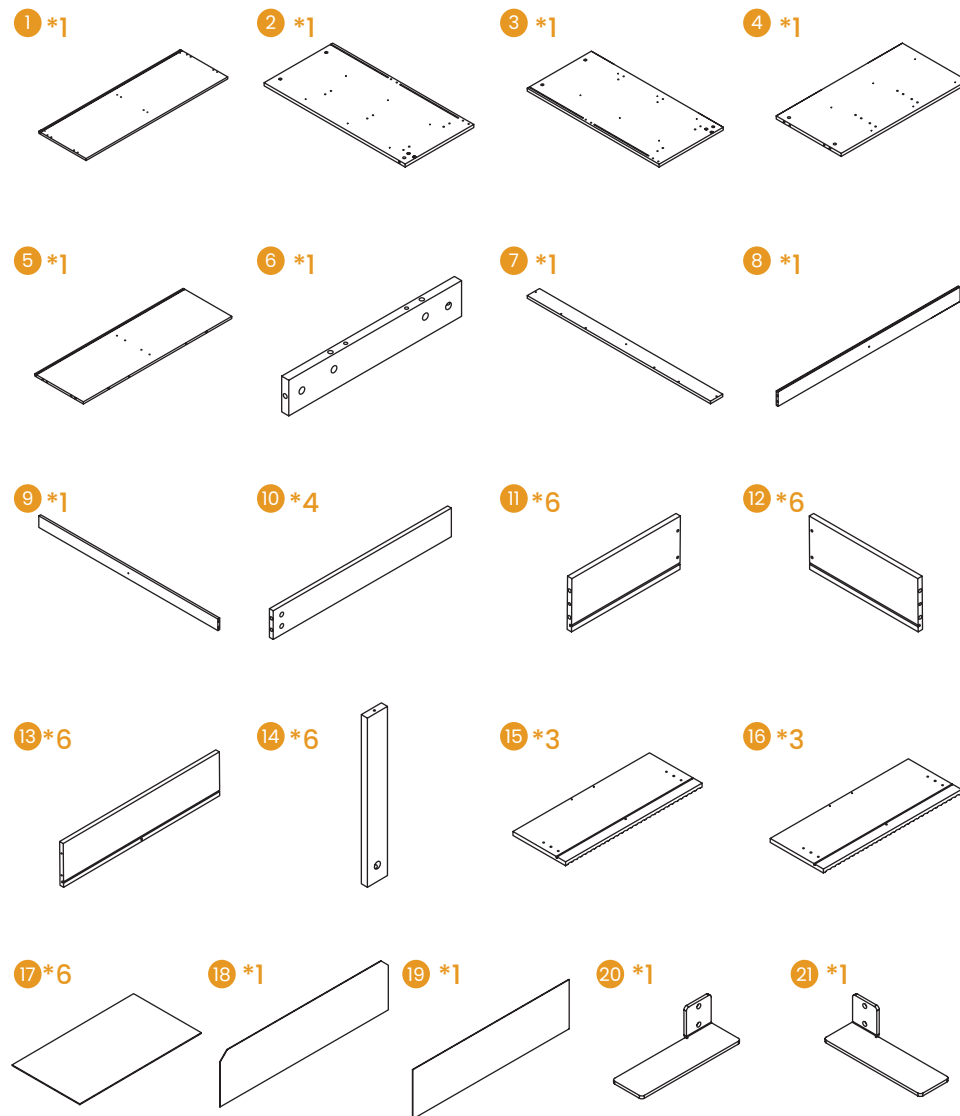
TECHNICAL EXPLODED VIEW DIAGRAM



PANEL COMPONENTS INVENTORY

PLEASE MAKE SURE ALL THE PARTS ARE INCLUDED.

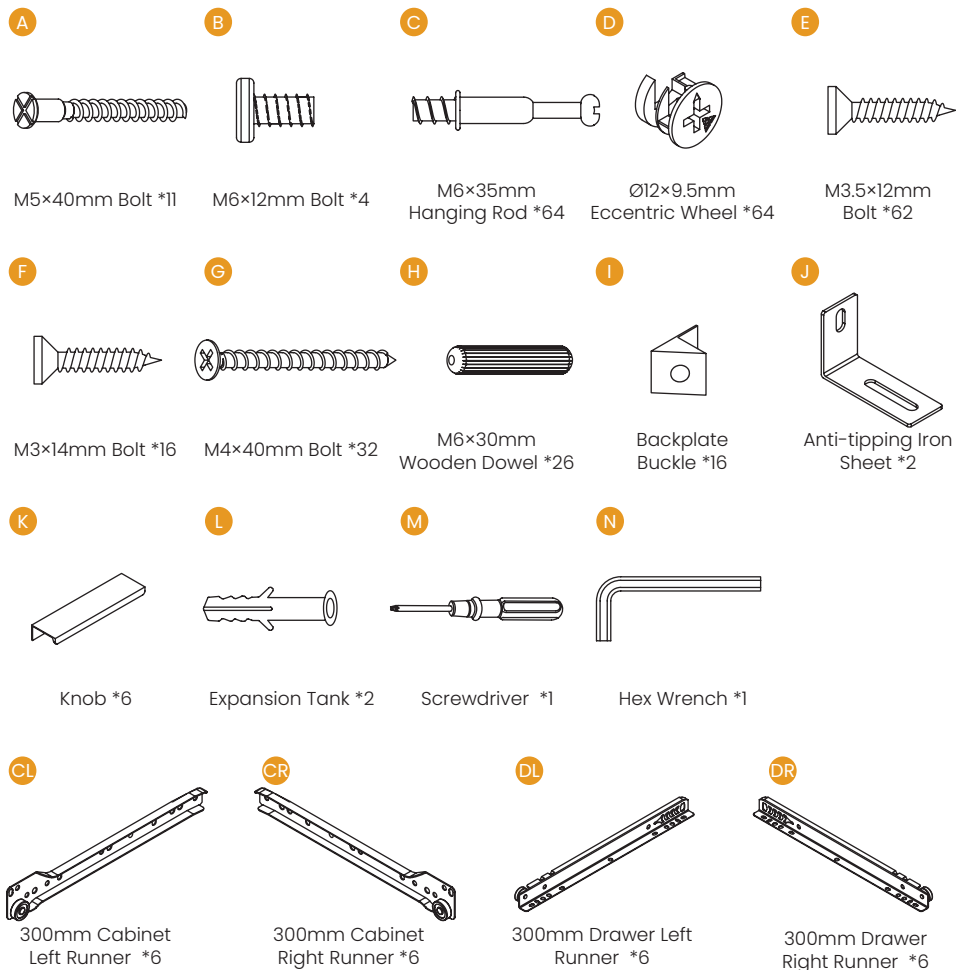
MISSING PARTS?
malolservice@hotmail.com



HARDWARE COMPONENTS INVENTORY

PLEASE MAKE SURE ALL THE PARTS ARE INCLUDED.

MISSING PARTS?
maloservice@hotmail.com



BEFORE YOU GET STARTED, A FEW POINTERS:



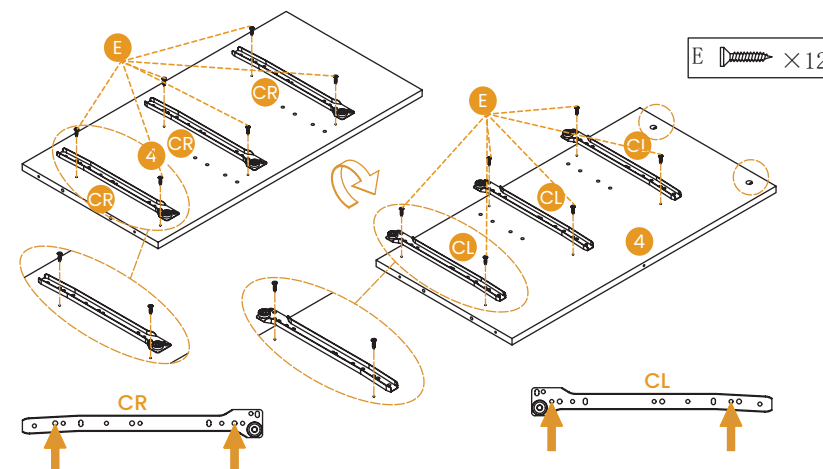
Having a friend to help makes assembly extra-easy



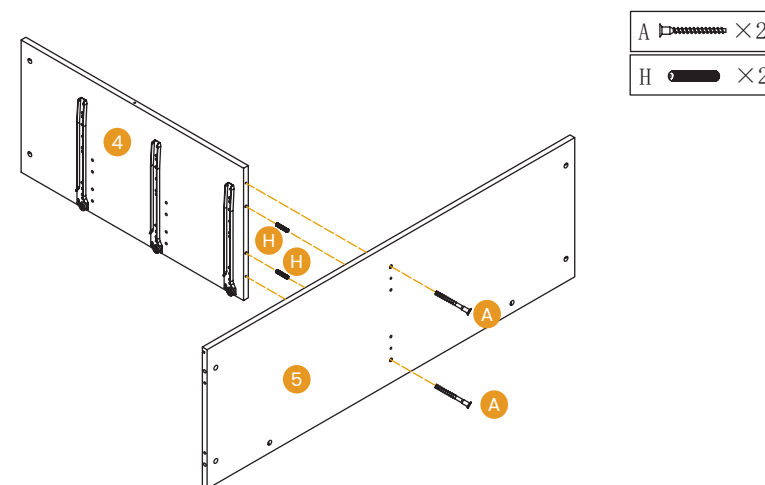
Mind the important safety information

ASSEMBLY INSTRUCTIONS

STEP 1 Place three Cabinet Right Runner (CR) on the ④, with Bolts (E) used to fix both ends of each Cabinet Right Runner (CR). Flip the ④, then place three Cabinet Left Runner (CL) on the ④, with Bolts (E) used to fix both ends of each Cabinet Left Runner (CL), as shown in the figure.




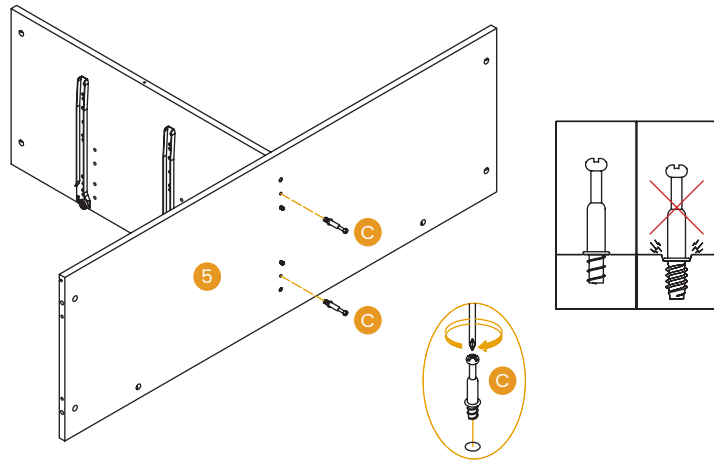
STEP 2 Join ④ and ⑤, place Wooden Dowel (H) in the middle of the corresponding holes, and secure it with Bolts (A) as shown in the figure.



ASSEMBLY INSTRUCTIONS

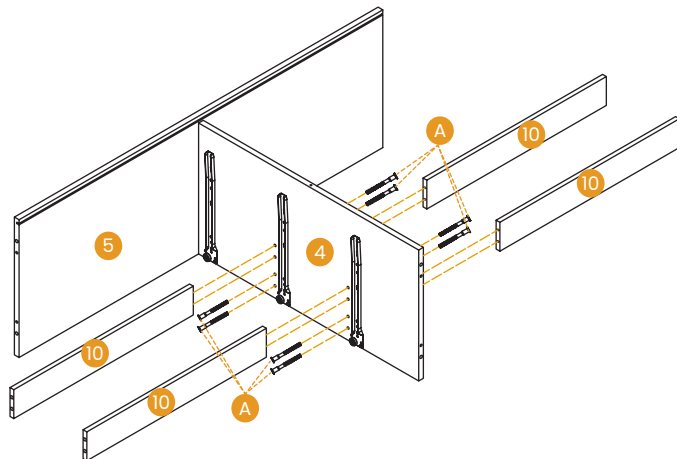
STEP 3 Place Hanging Rod (C) in the corresponding hole of ⑤ and tighten clockwise, as shown in the figure.

C  × 2



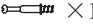
STEP 4 Place ⑩ on both sides of ④ and secure it with Bolts (A), as shown in the figure.

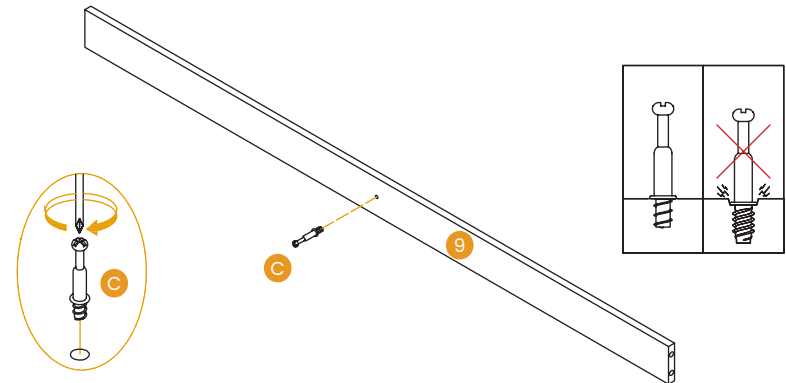
A  × 8



ASSEMBLY INSTRUCTIONS

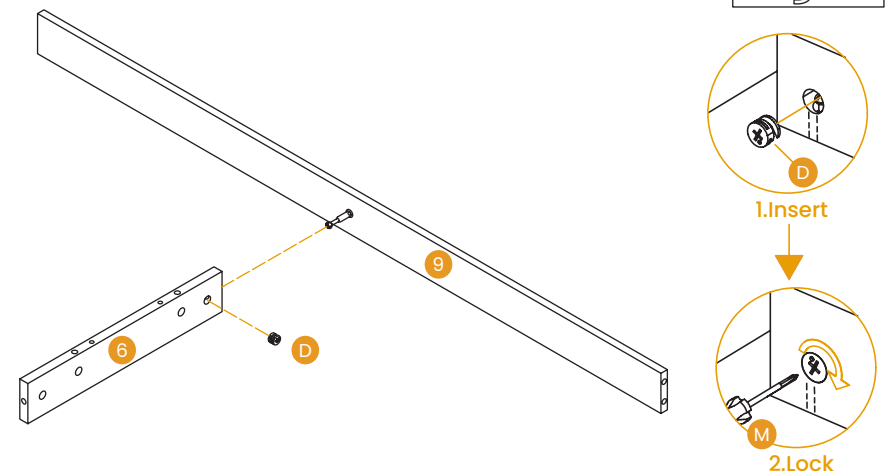
STEP 5 Place Hanging Rod (C) in the corresponding hole of ⑨ and tighten clockwise, as shown in the figure.

C  × 1



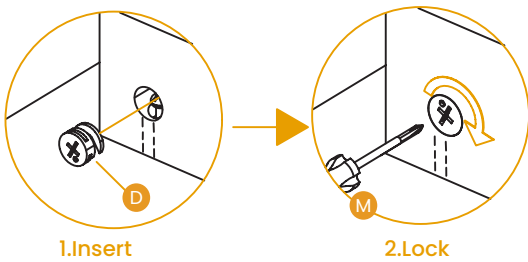
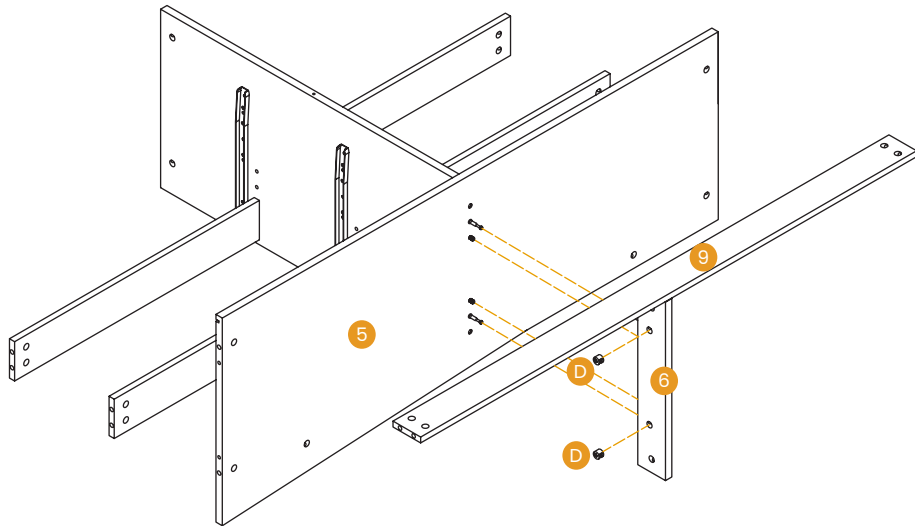
STEP 6 Insert ⑥ into the Hanging Rod (C) of ⑨ as shown in the diagram, then insert Eccentric Wheel (D) into ⑥ and lock it clockwise with Screwdriver (M).

D  × 1



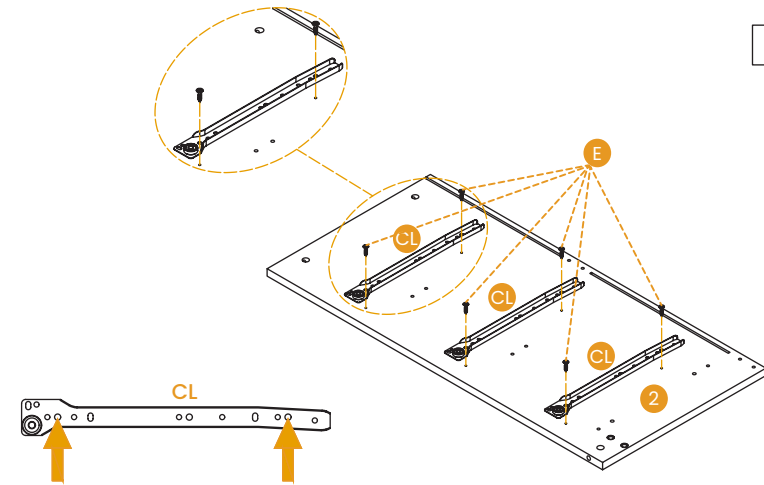
ASSEMBLY INSTRUCTIONS

STEP 7 As shown in the diagram, assemble the STEP6-completed components with the STEP4-completed parts, insert Eccentric Wheel (D) into ⑥, and secure it clockwise using the Wrench (M).

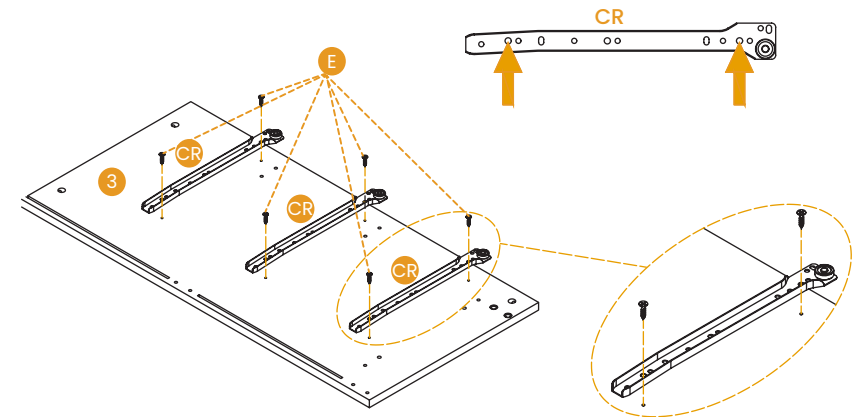


ASSEMBLY INSTRUCTIONS

STEP 8 Place the Cabinet Left Runner (CL) on ②, with the pulley facing the side without the groove and secure it with Bolts (E), as shown in the figure.




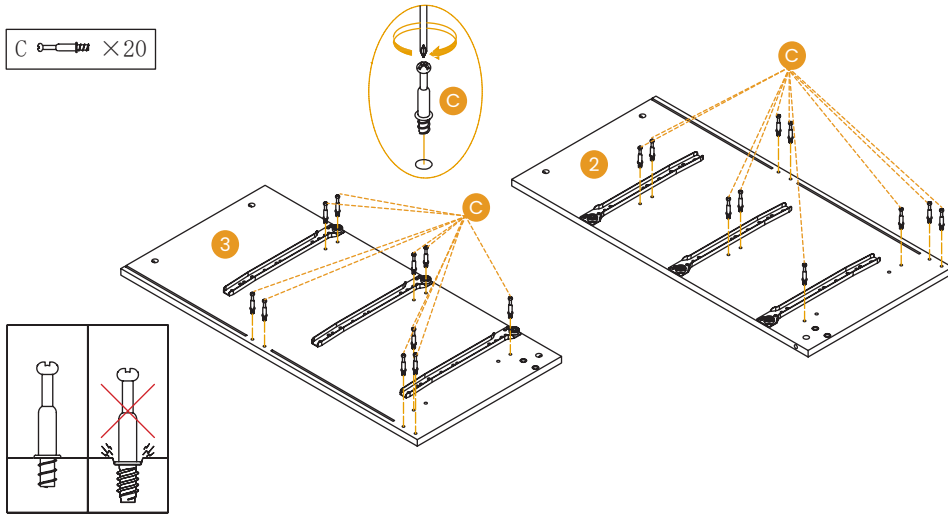
STEP 9 Place the Cabinet Right Runner (CR) on ③, with the pulley facing the side without the groove and secure it with Bolts (E), as shown in the figure.



ASSEMBLY INSTRUCTIONS

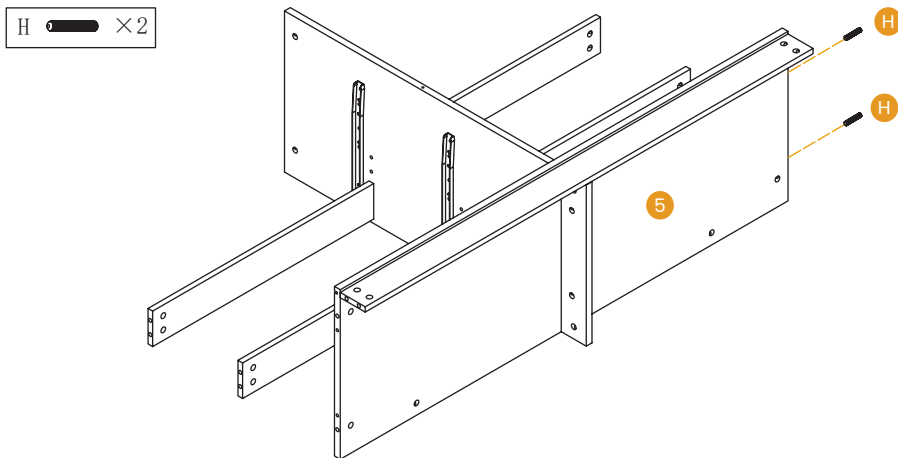
STEP 10 Place Hanging Rod (C) at the indicated ② and ③, then tighten clockwise.

C  × 20



STEP 11 Place Wooden Dowel (H) in the hole at the end of the schematic diagram on ⑤.

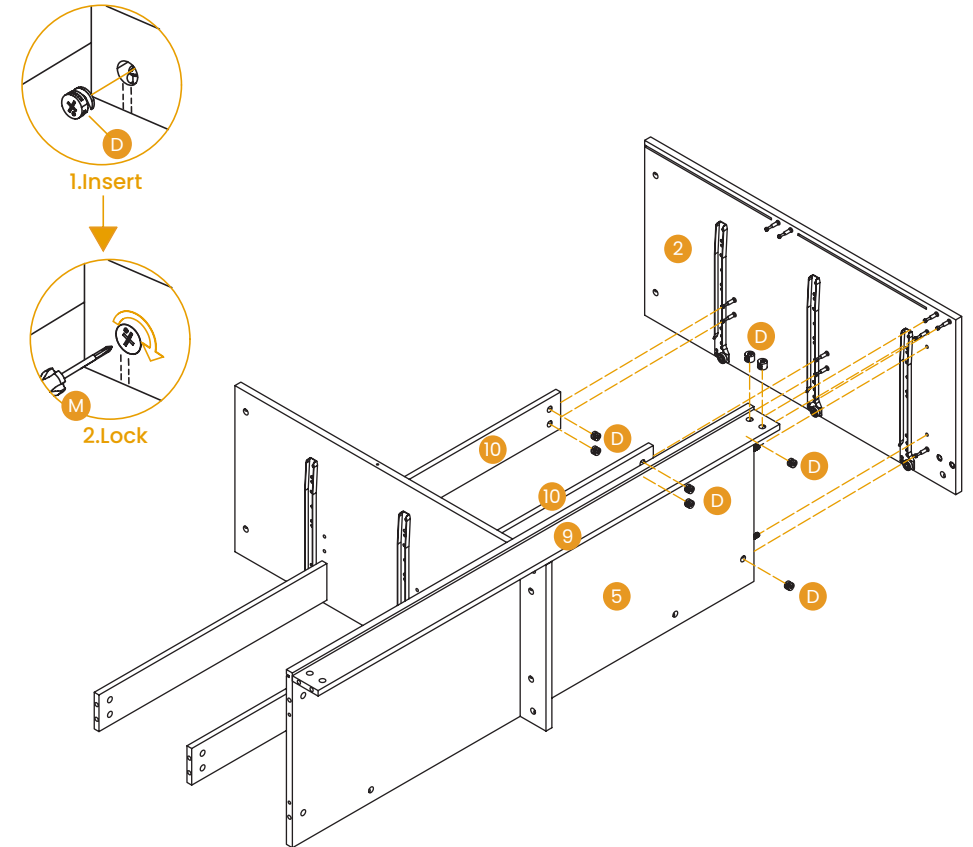
H  × 2



ASSEMBLY INSTRUCTIONS

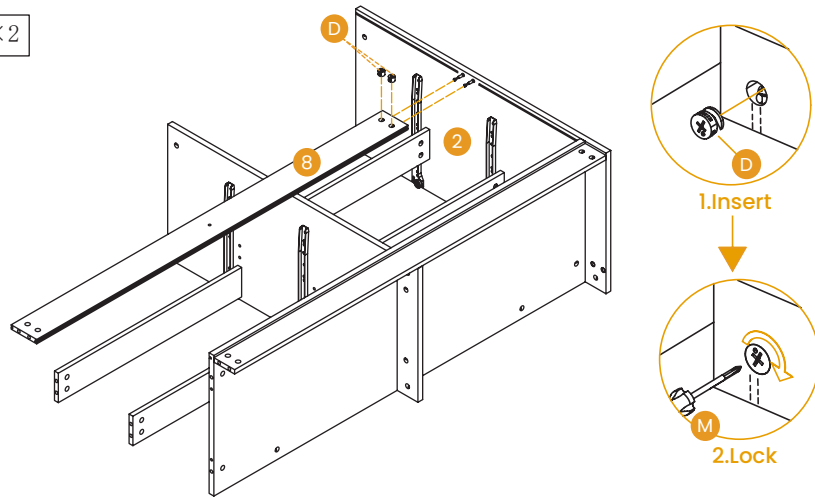
STEP 12 Assemble component ② with the pre-assembled parts according to the diagram, insert Eccentric Wheel (D) into the designated position on the wooden board, and secure it with Screwdriver (M).

D  × 8

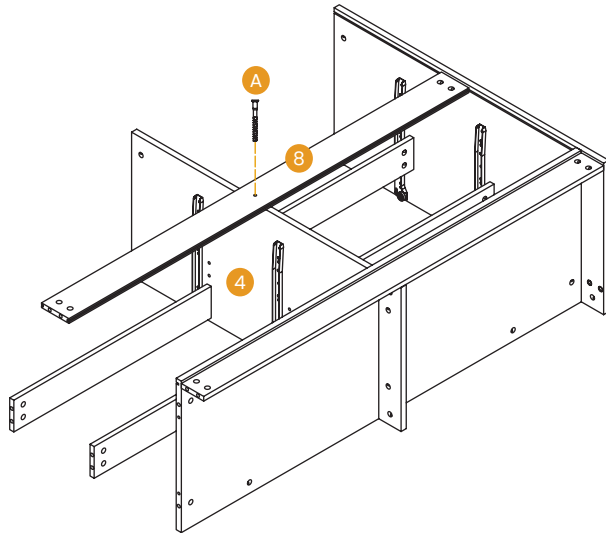


ASSEMBLY INSTRUCTIONS

STEP 13 Insert ⑧ into ②, insert Eccentric Wheel (D) into the hole, and lock it with Screwdriver (M), as shown in the figure.

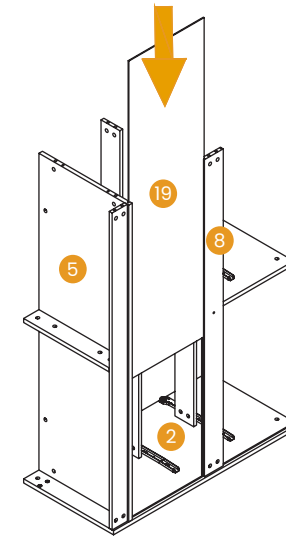


STEP 14 Connect the holes ④ and ⑧ with Bolts (A).

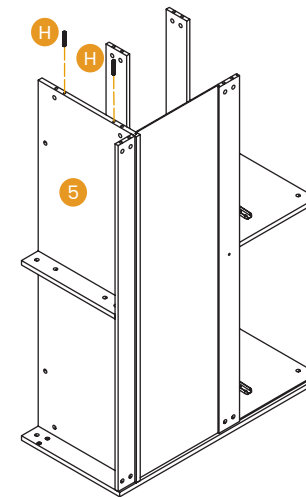


ASSEMBLY INSTRUCTIONS

STEP 15 Insert ⑱ at the position shown in the diagram.

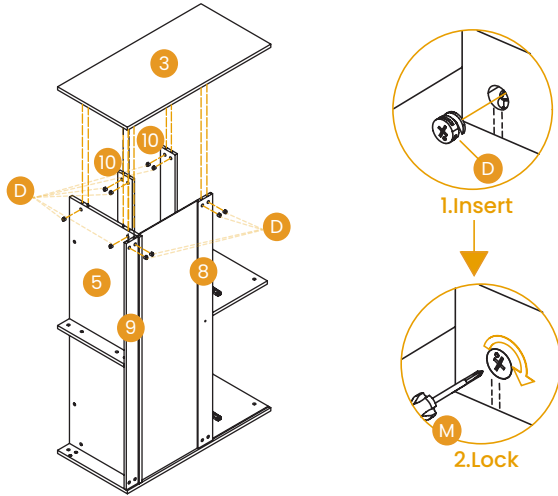


STEP 16 Put Wooden Dowels (H) in the corresponding hole in ⑤, as shown in the figure.

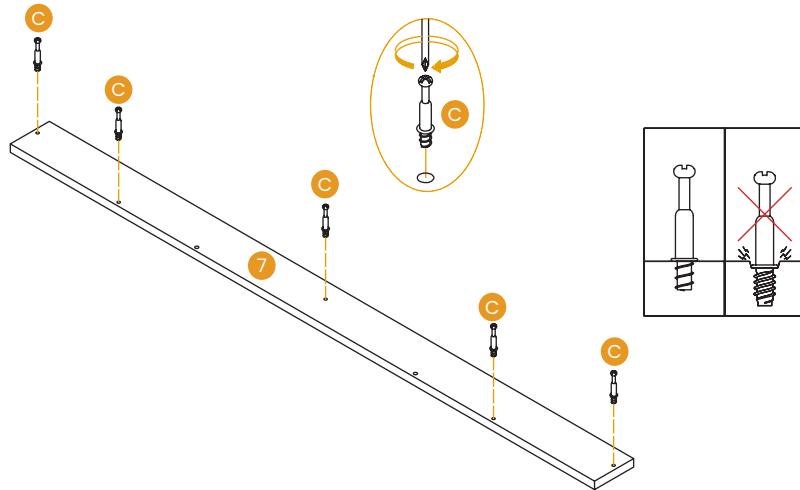


ASSEMBLY INSTRUCTIONS

STEP 17 Place ③ on the installed component, insert Eccentric Wheel (D) into the hole, and secure with Screwdriver (M), as shown in the figure.

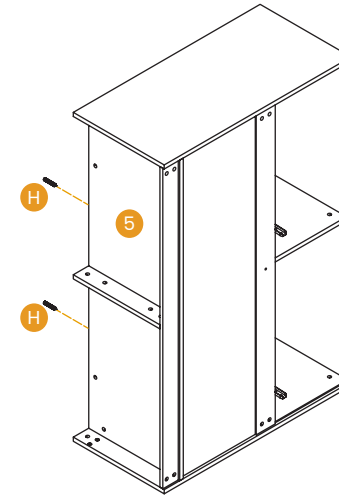


STEP 18 Place Hanging Rod (C) in the corresponding hole of ⑦ and tighten clockwise, as shown in the figure.

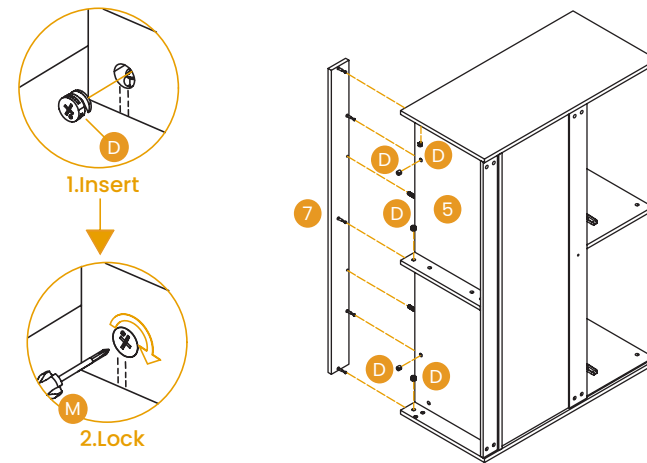


ASSEMBLY INSTRUCTIONS

STEP 19 Put Wooden Dowels (H) in the corresponding hole in ⑤, as shown in the figure.



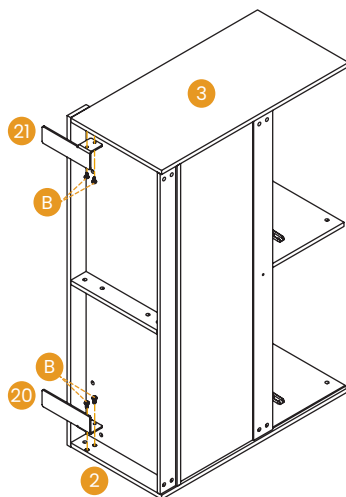
STEP 20 As shown in the figure, install ⑦ onto the completed component, insert Eccentric Wheel (D) into the hole, and secure it with Screwdriver (M).



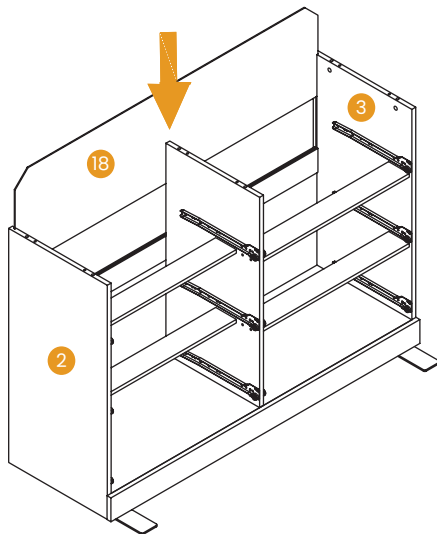
ASSEMBLY INSTRUCTIONS

STEP 21 As shown in the figure, use Bolts (B) to connect ② and ⑳, and ③ and ㉑.

B  × 4

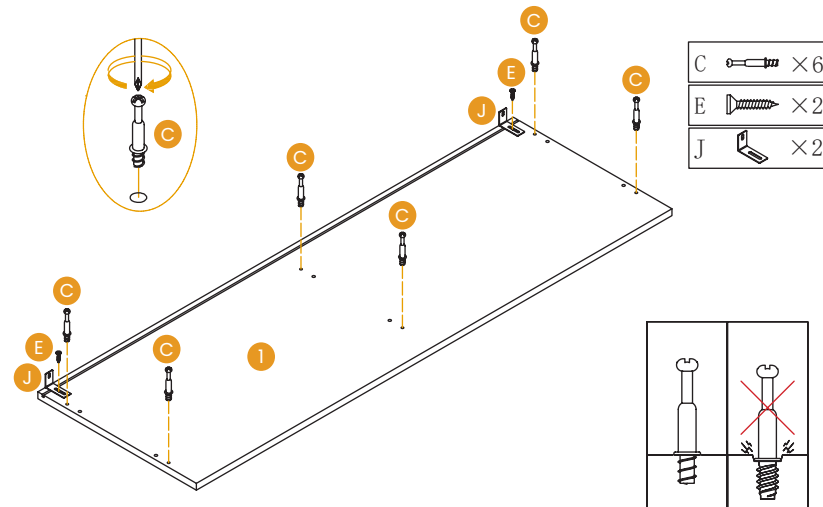


STEP 22 Insert ⑱ between ② and ③ as shown.

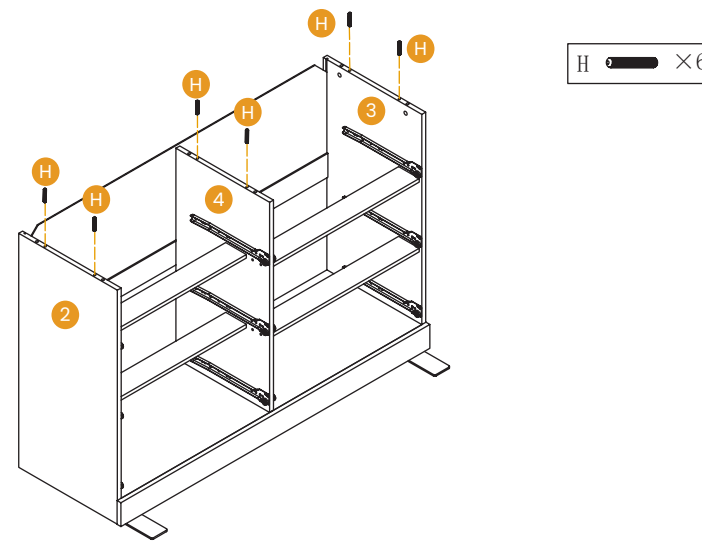


ASSEMBLY INSTRUCTIONS

STEP 23 Place Hanging Rod (C) in the corresponding hole of ① and tighten clockwise, as shown in the figure.

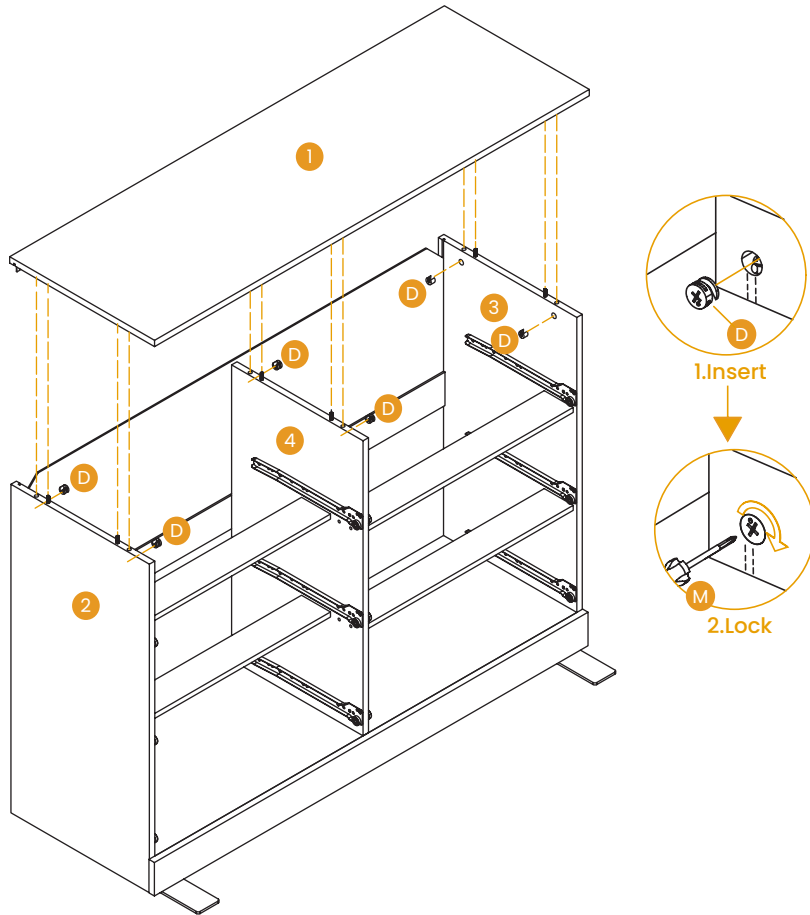


STEP 24 Put Wooden Dowels (H) in the corresponding hole in ②, ③ and ④.



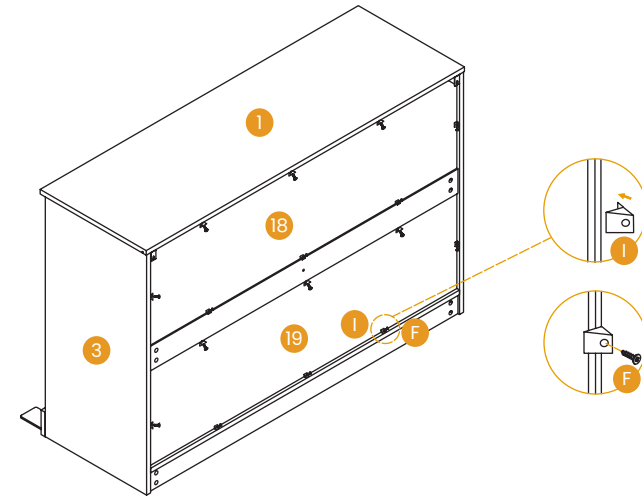
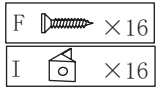
ASSEMBLY INSTRUCTIONS

STEP 25 As shown in the figure, install ① on the completed component, insert Hanging Rod (D) into the hole, and secure it with Screwdriver (M).

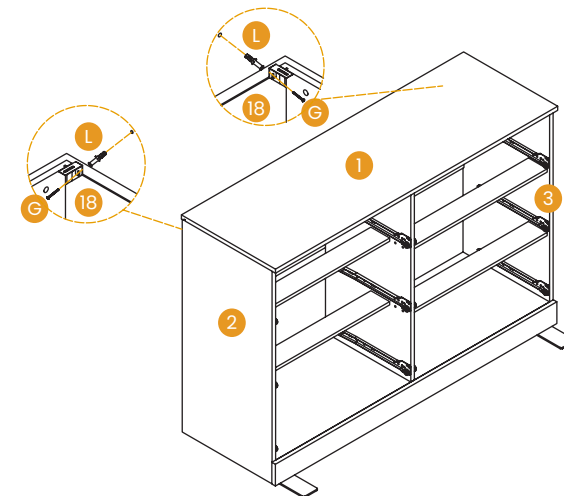
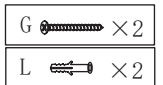


ASSEMBLY INSTRUCTIONS

STEP 26 As shown in the figure, place Backplate Buckle (I) in the corresponding position and use Bolts (F) to secure it.

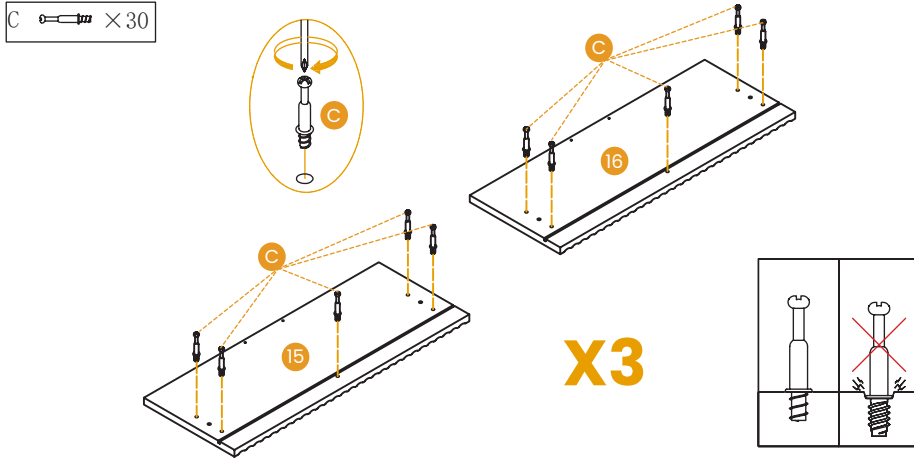


STEP 27 Using Expansion Tank (L) and Bolt (G) to fix the rotational positions of components at angles of 18° and 2°, 3° degrees.

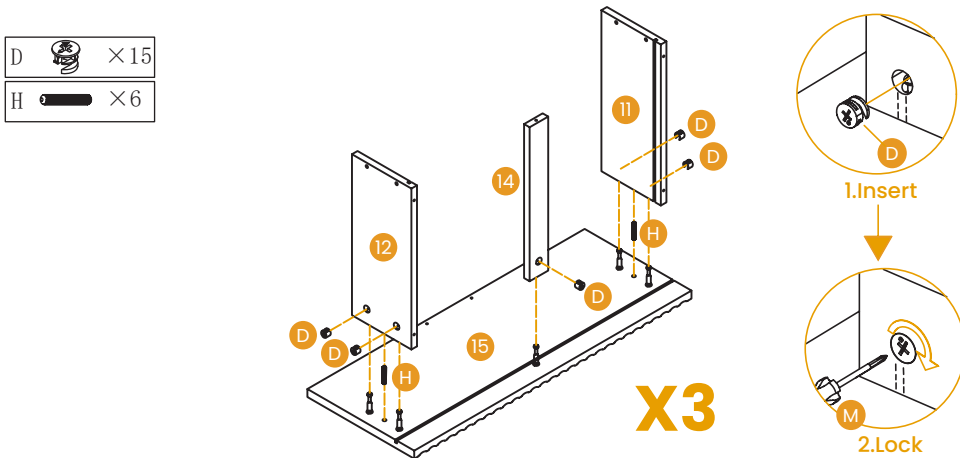


ASSEMBLY INSTRUCTIONS

STEP 28 Place Hanging Rod (C) in the corresponding holes of ⑮ and ⑯, and tighten clockwise as shown in the figure. Do the same for 3 sets.

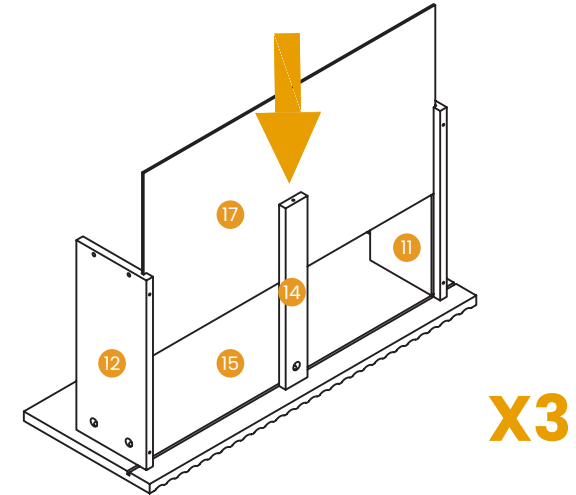


STEP 29 As shown in the figure, insert ⑪, ⑫, and ⑭ into the corresponding positions of ⑮, place Wooden Dowel (H) in the matching holes at the connection points, insert Eccentric Wheel (D) into the holes, secure it with Screwdriver (M). Do the same for 3 sets.

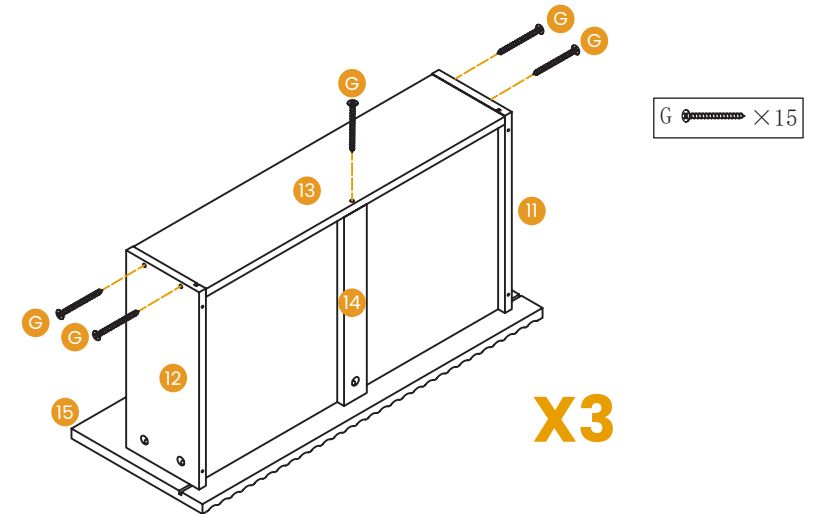


ASSEMBLY INSTRUCTIONS

STEP 30 Insert ⑰ between ⑪ and ⑫ as shown in the diagram. Do the same for 3 sets.

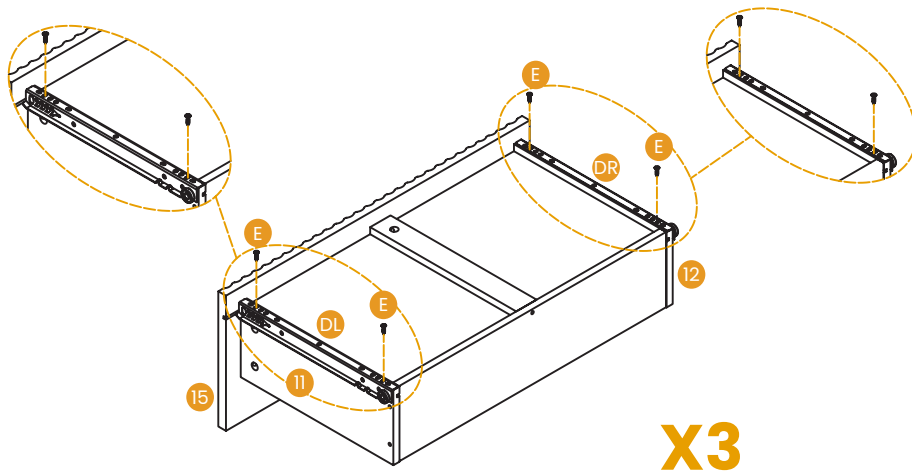


STEP 31 Place ⑬ over ⑪, ⑫, and ⑭, secure it with Bolts (G) at the indicated position. Do the same for 3 sets.



ASSEMBLY INSTRUCTIONS

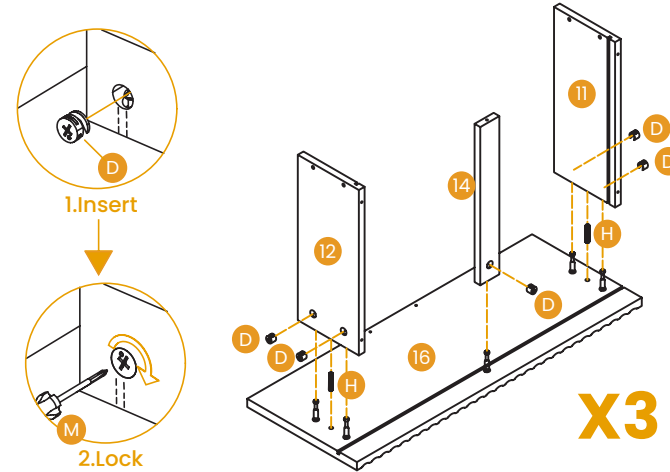
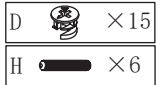
STEP 32 Position Drawer Left Runner (DL) at ⑪ and Drawer Right Runner (DR) at ⑫, then use Bolts (E) to fix Drawer Left Runner (DL) and Drawer Right Runner (DR) respectively. The fixation positions are shown in the figure. Do the same for 3 sets.



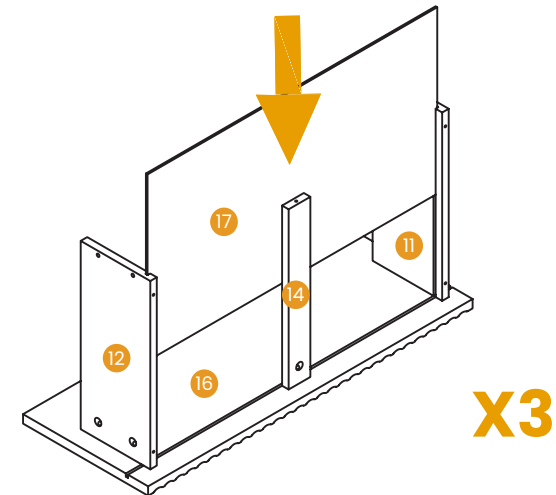
X3

ASSEMBLY INSTRUCTIONS

STEP 33 As shown in the figure, insert ⑪, ⑫, and ⑭ into the corresponding positions of ⑯, place Wooden Dowel (H) in the matching holes at the connection points, insert Eccentric Wheel (D) into the holes, secure it with Screwdriver (M). Do the same for 3 sets.



STEP 34 Insert ⑰ between ⑪ and ⑫ as shown in the diagram. Do the same for 3 sets.

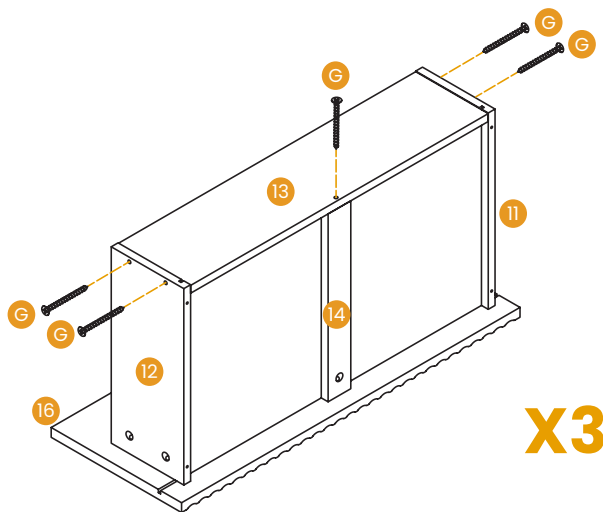


X3

ASSEMBLY INSTRUCTIONS

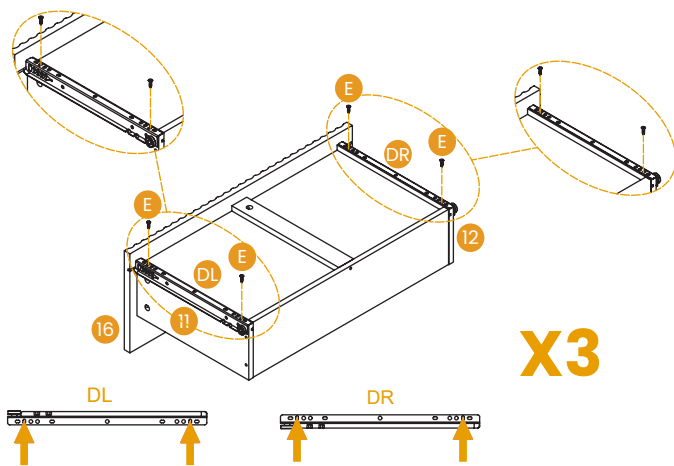
STEP 35 Place ⑬ over ⑪, ⑫ and ⑭, secure it with Bolts (G) at the indicated position. Do the same for 3 sets.

G × 15



STEP 36 Position Drawer Left Runner (DL) at ⑪ and Drawer Right Runner (DR) at ⑫, then use Bolts (E) to fix Drawer Left Runner (DL) and Drawer Right Runner (DR) respectively. The fixation positions are shown in the figure. Do the same for 3 sets.

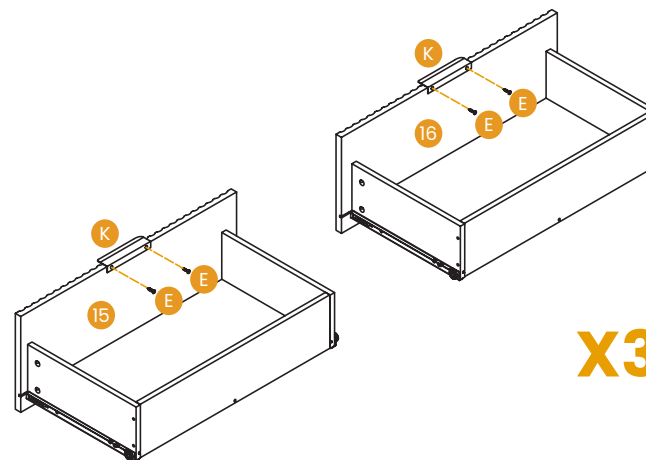
E × 12



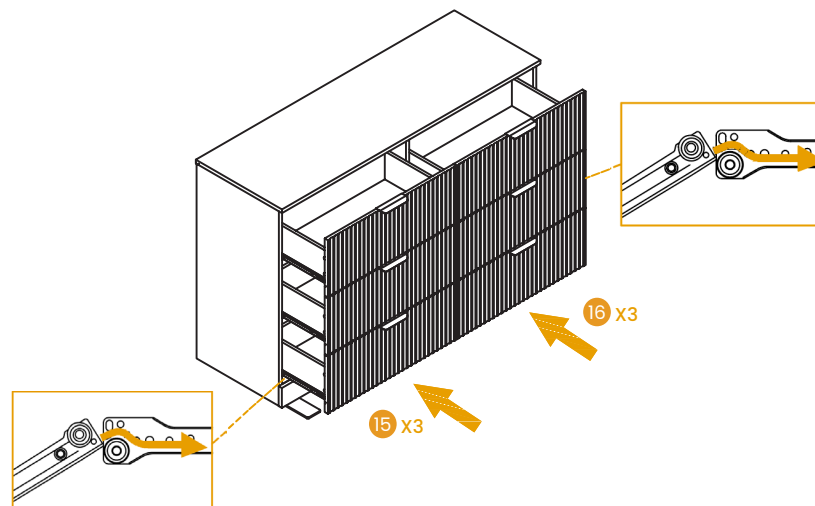
ASSEMBLY INSTRUCTIONS

STEP 37 Put Bolts (K) at the indicated locations ⑮ and ⑯, and secure Knob (K) and the wooden board with Bolts (E). Do the same for 3 sets.

E × 12
K × 6



STEP 38 Insert the completed drawer into the cabinet to finish the product.



LIMITED WARRANTY

We promise to repair or replace any product that is found to be defective in material or workmanship within one year from the date of original purchase, as long as you, the original purchaser, still own it. This is your sole and exclusive remedy under this warranty, subject to the provisions outlined below.

EXCLUSIONS

This warranty does not apply to, and no other warranty applies to:

- Normal wear and tear, which is to be expected over the course of ownership.
- Misuse, abuse, or excessive use of the product.
- Modifications or attachments to the product that are not approved.
- Products that were not installed, used, or maintained in accordance with the product instructions and warnings.
- Products used for rental purposes or unauthorized retail activities.

RETURN POLICY

We offer a 30-day return policy, meaning that all products purchased through this website may be returned to us within that timeframe. You must contact us within 30 days of receiving the product(s), and they must be returned to us without any undue delays.

CONDITIONS:

- Returned products must be in the same condition as received and returned in their original packaging.
- If the product is not faulty (i.e., if you change your mind or are unhappy with the product for another reason), you are responsible for the cost of return shipping. You must ensure the package arrives safely to us, so we recommend using a courier service that offers tracking.
- If the product is faulty when received, please contact us, and we will assist you with the return, covering the shipping costs in this case.

LIMITED WARRANTY

- We reserve the right to offer partial refunds for returned products that are not in unused condition, are damaged, or have missing parts not due to our error.

HOW RETURNS WORK

To request a return, please attach a copy of your invoice as proof of purchase, along with the reason for the return.

We will provide the return address for the product as soon as possible. Once the returned product is received and inspected, we will provide a specific resolution.

If the return is approved, the refund amount will be automatically credited to your original payment method.

MAINTENANCE INSTRUCTIONS



Dust and clean up spills immediately using a clean, non-colored, lint-free cloth.



For indoor use only. Do not place the furniture outside.



Do not place hot items directly on the furniture surface without using a protective barrier.



Do not place furniture near heating or cooling vents (keep at least 3 feet away)



Do not place furniture in direct sunlight.



vimeo | ASSEMBLY VIDEO

+1(888) 868-6849
malolservice@hotmail.com