

# **INSTALLATION**

## *Product Manual*

Version: 460102US-01-25A-YZ



### **IMPORTANT INFORMATION!**

please read the entire manual before starting to assemble and/or using this product. follow the manual thoroughly and keep it for further reference.



### **AVOID SCRATCHES!**

In order to avoid scratching this furniture should be assembled on a soft layer- could be a rug.



### **IMPROVE EFFICIENCY !**

Try to find a partner to install with you, which can speed up the installation efficiency and shorten the time.



### **ANTI-TOPPLE WARNING !**

Overturnd furniture can cause serious or fatal crush injuries. To prevent tipping over, be sure to use the wall attachment, if not included with this product. Please purchase the wall attachment that fit your wall. If unsure, seek professional advice. Please read and follow each step of the instructions carefully.

### **IMPORTANT !**

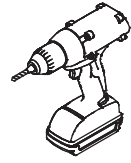
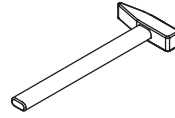
It is important that any product which is assembled using any kind of screw is re-tightened 2 weeks after assembly, and once every 3 months - in order to assure stability through-out the lifespan of the product.

For regular maintenance and cleaning of the product, for the frame, please use a rag dipped in neutral detergent to fully wipe it, and then dry it with a clean rag. For glass materials, wipe with a rag dampened with water glass cleaner, and then dry with a dry rag.

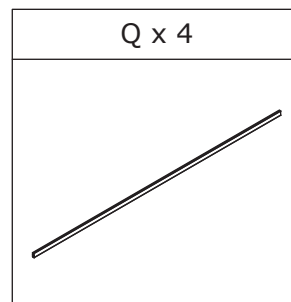
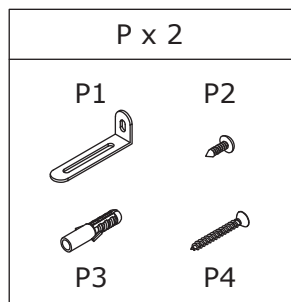
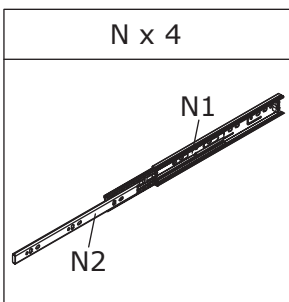
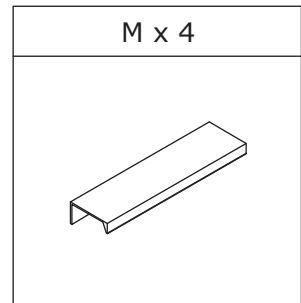
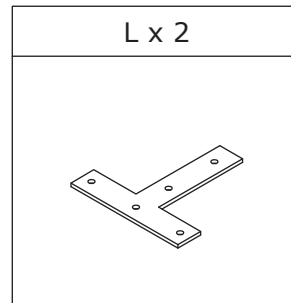
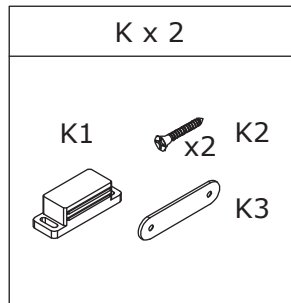
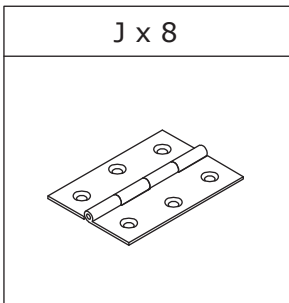
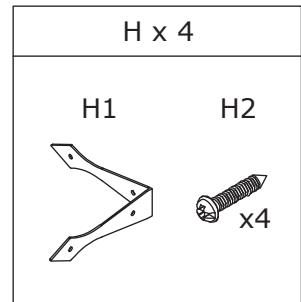
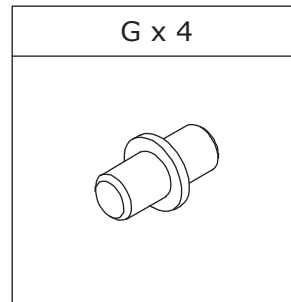
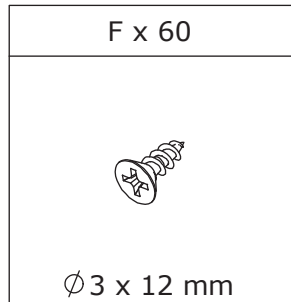
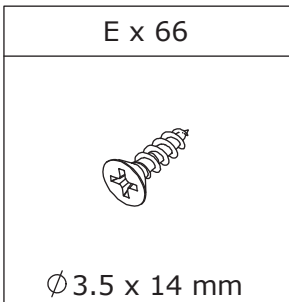
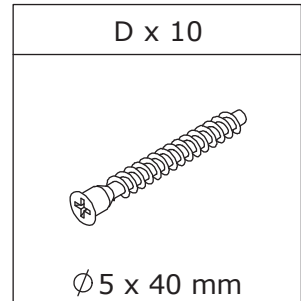
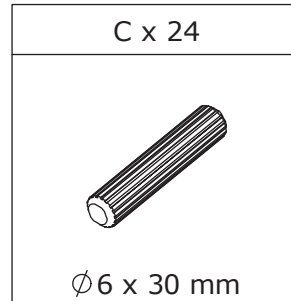
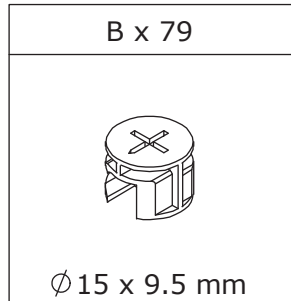
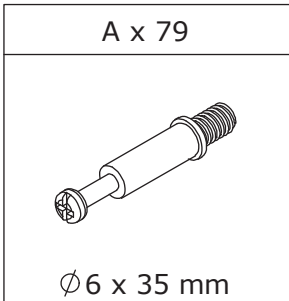
Do not use an electric screwdriver, and do not use too much force when installing, because the board is easy to break.

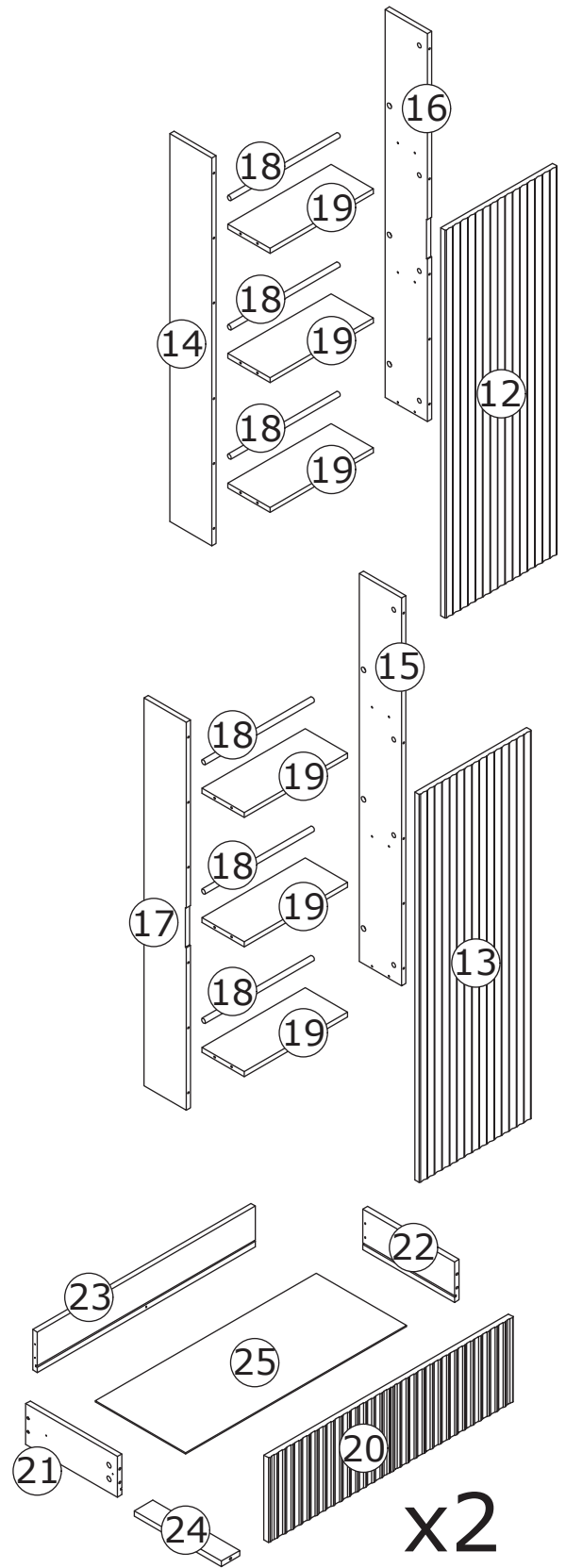
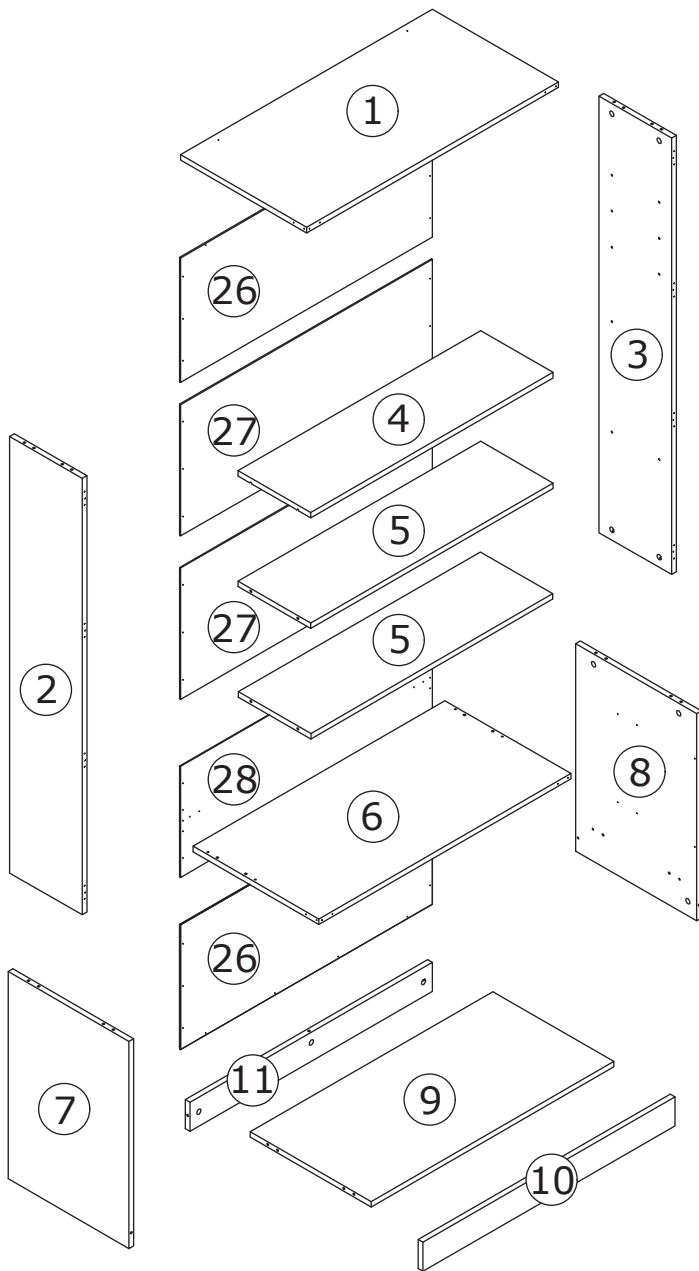


Please prepare the following tools



When installing, please carefully confirm whether each screw corresponds to the manual, accessories with similar shapes can be distinguished by size





x2

## ⚠ WARNING

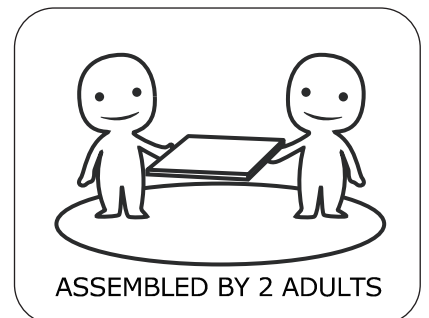


Children have died from furniture tipover. To reduce the risk of furniture tipover:

- ALWAYS install Anti-tip device provided.
- NEVER put a TV on this product.
- NEVER allow children to stand, climb or hang on drawers, doors, or shelves.
- NEVER open more than one drawer at a time.
- Place heaviest items in the lowest drawers.



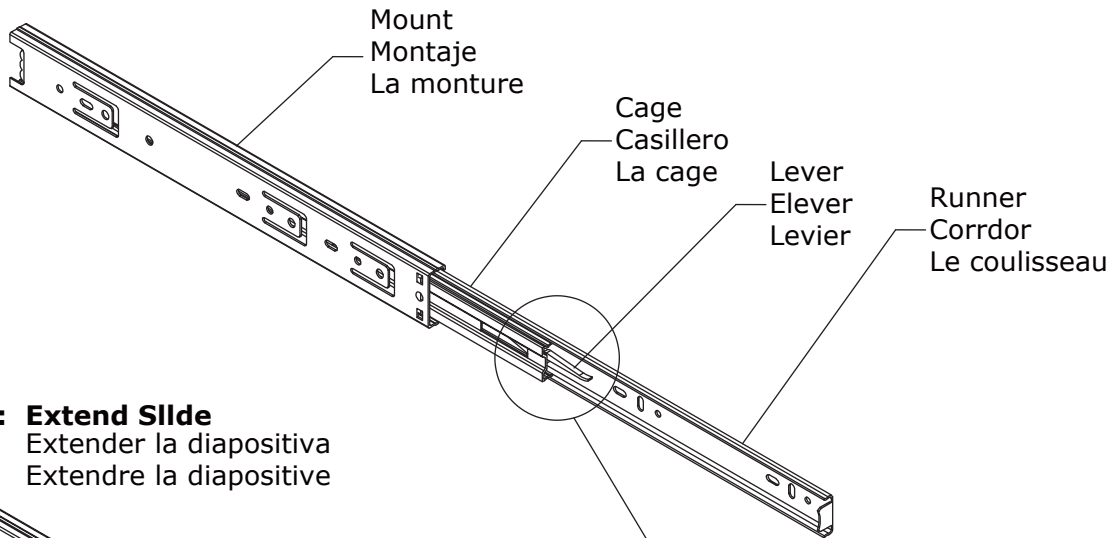
*This is a permanent label.  
Do not remove!*



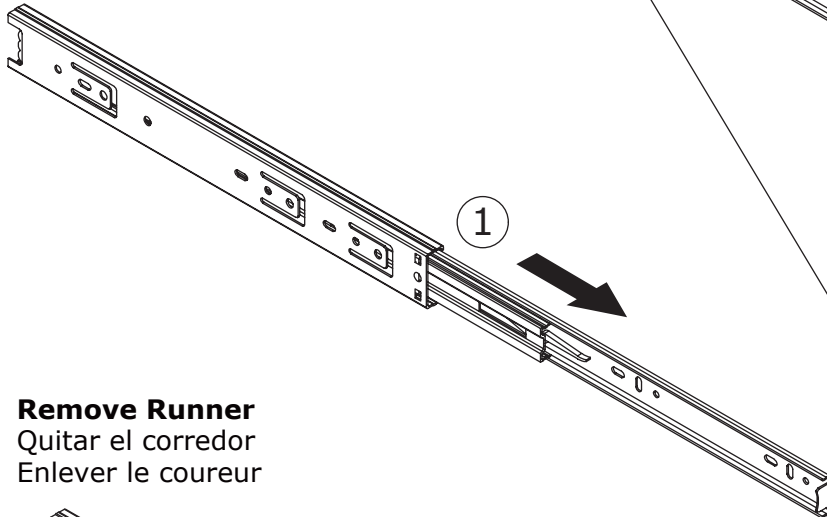
## Slides Must Be Separated Before Assembly. After Separated, Set Aside Until Needed for Assembly.

Las diapositivas deben separarse antes del montaje.  
Después de la separación, déjelo a un lado hasta que sea necesario.

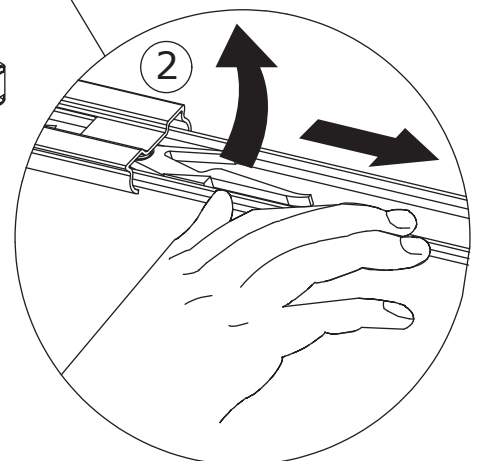
Les glissières doivent être séparées avant l'assemblage.  
Après la séparation, mettez de côté jusqu'au moment de l'assemblage.



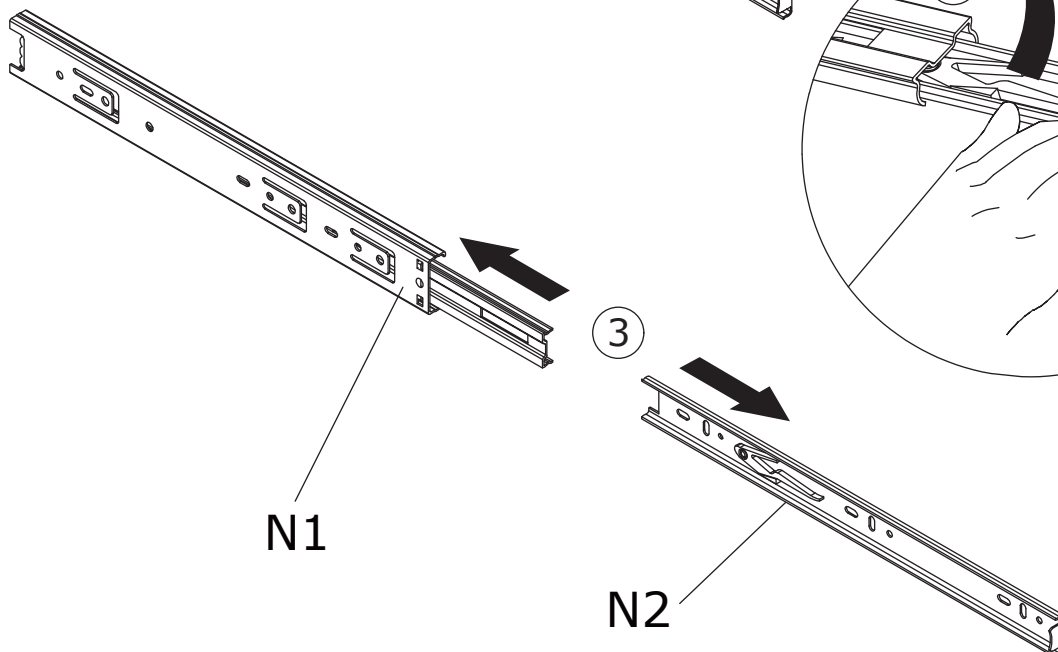
**STEP 1: Extend Slide**  
Extender la diapositiva  
Extendre la diapositive



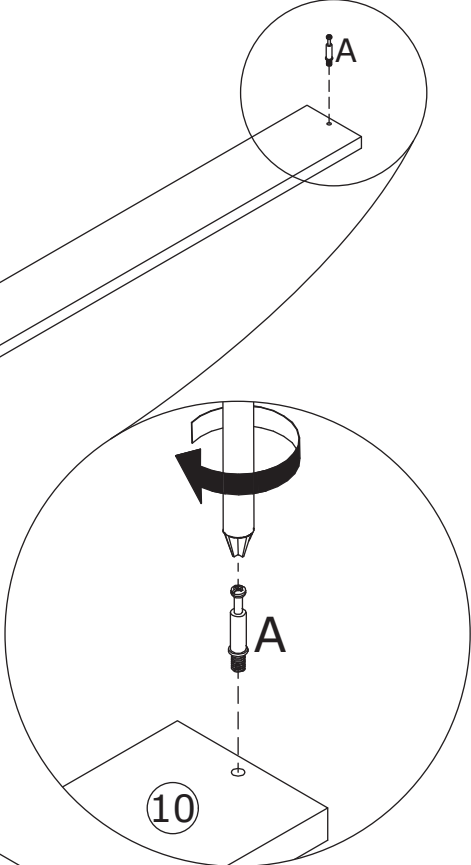
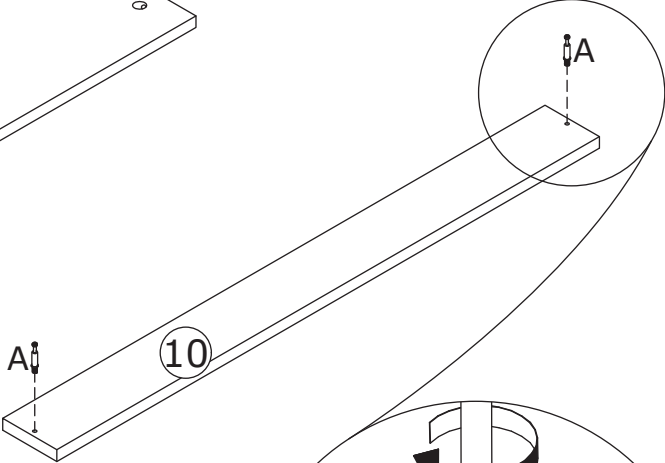
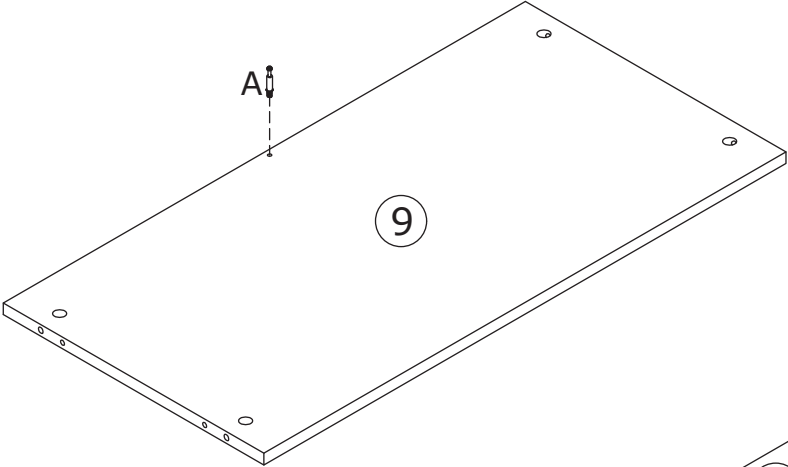
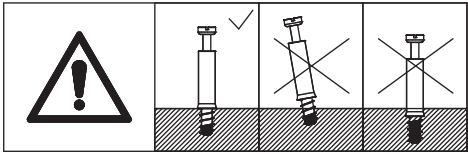
**STEP 2: Push Lever UP**  
Empujar hacia arriba  
Lever le levier



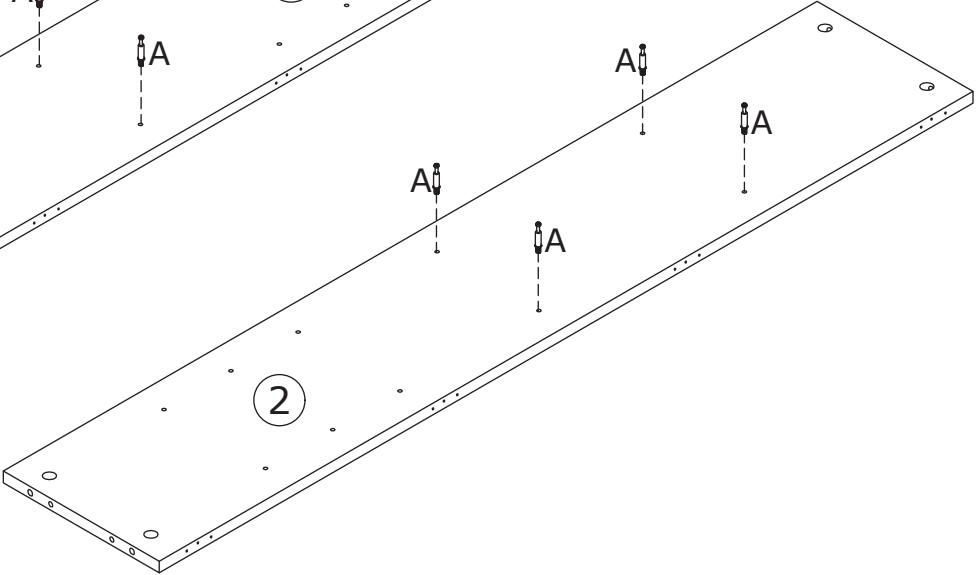
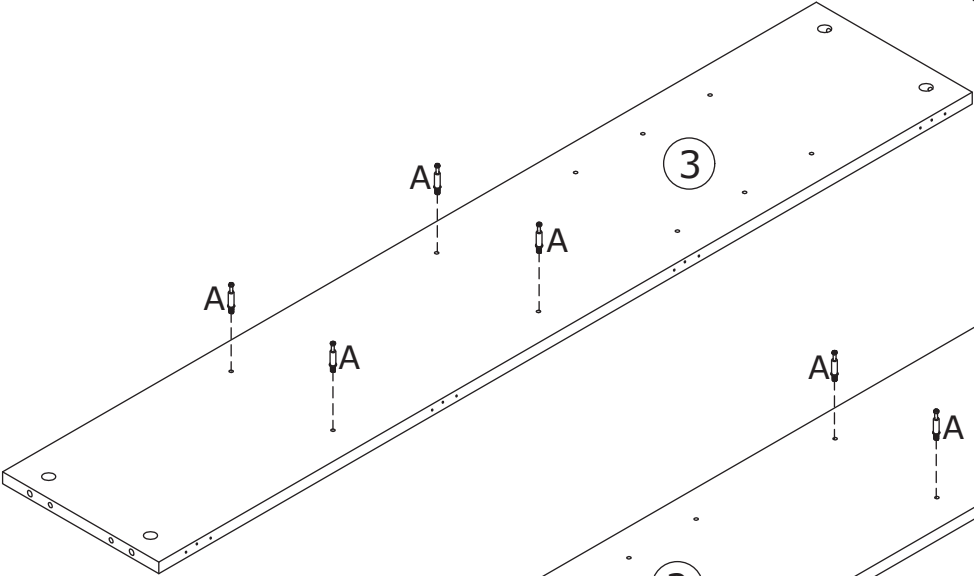
**STEP 3: Remove Runner**  
Quitar el corredor  
Enlever le coureur



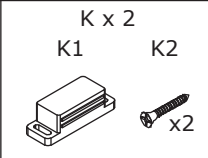
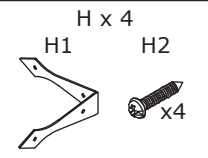
1



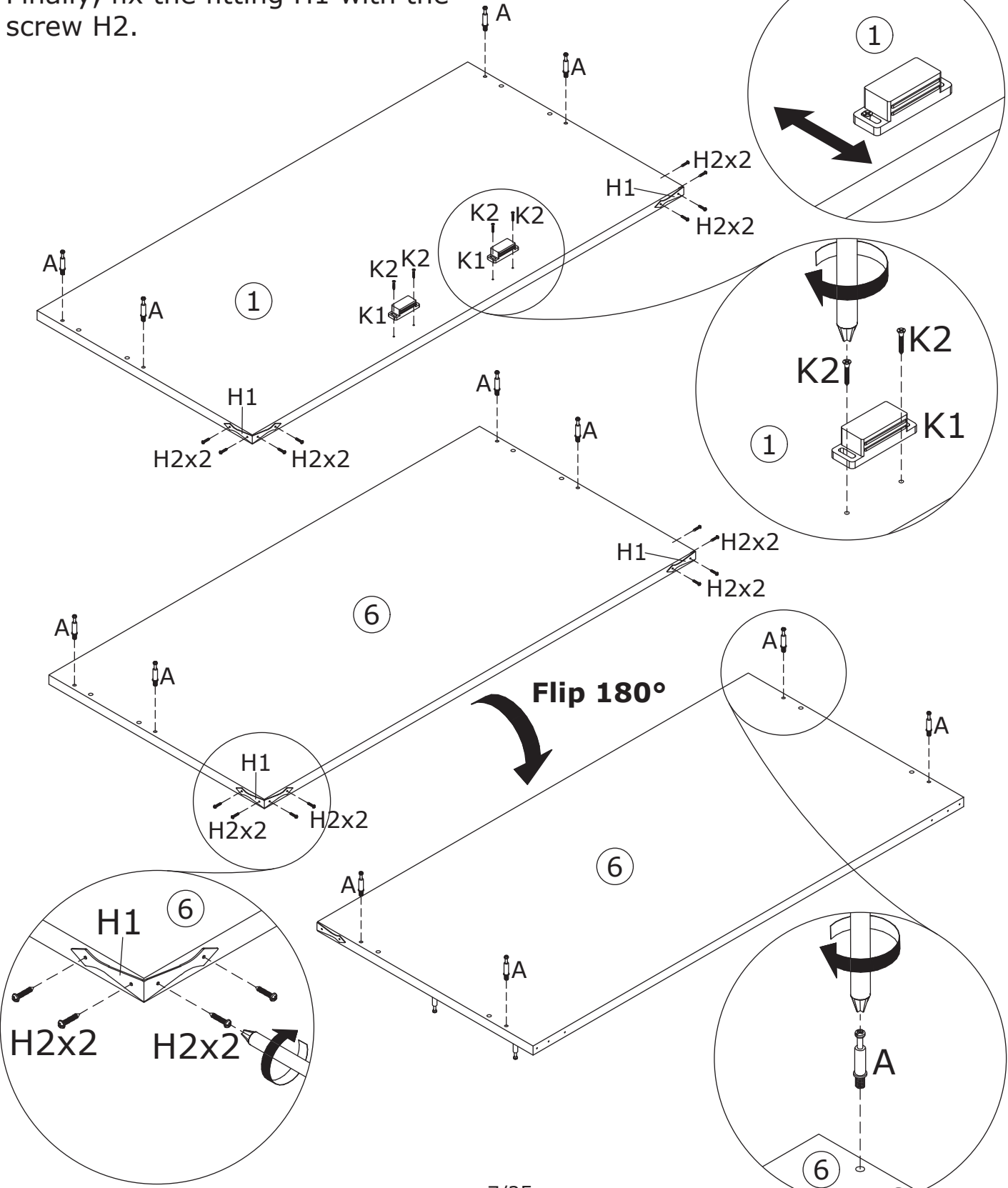
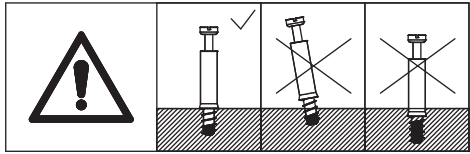
Screw eccentric rod A into plate 9, 10, 2, 3.



2

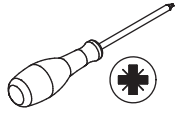
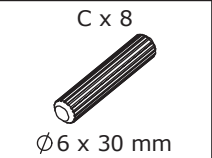
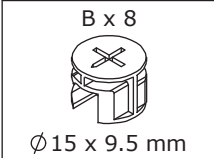


Screw eccentric rod A into plate 1, 6.  
Fix the accessory K1 to plate 1 with screw K2.  
The accessory K1 can adjust the gap, front  
and back position of the door plate by up and down.  
Finally, fix the fitting H1 with the  
screw H2.

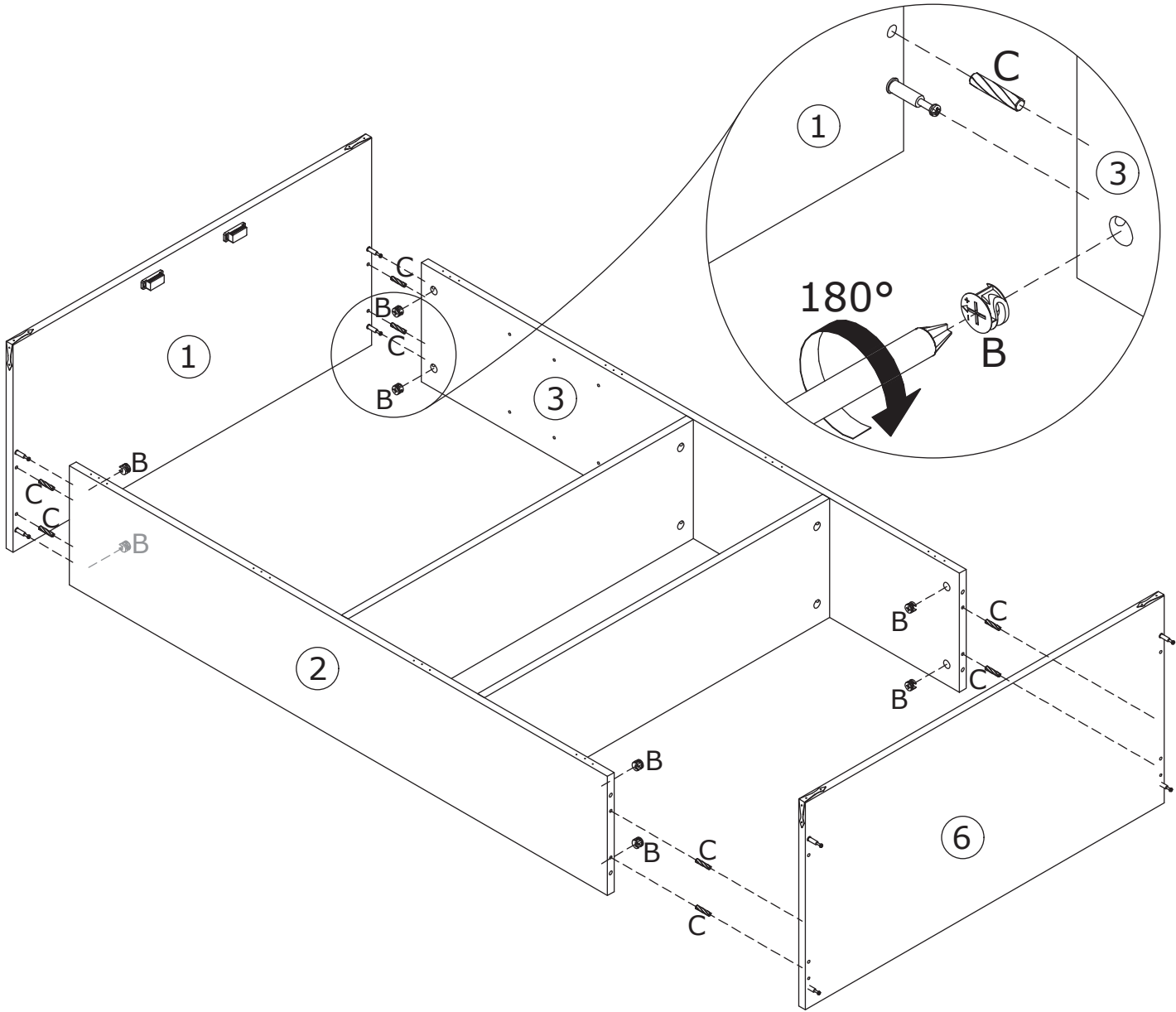
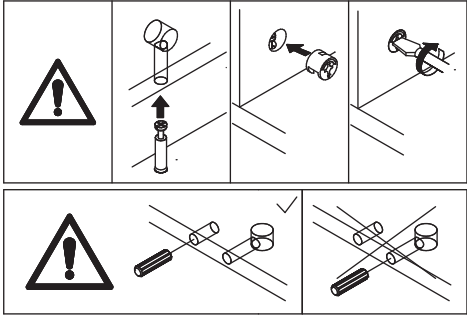




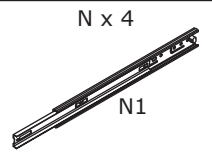
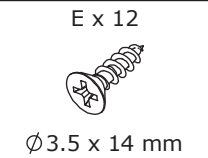
4



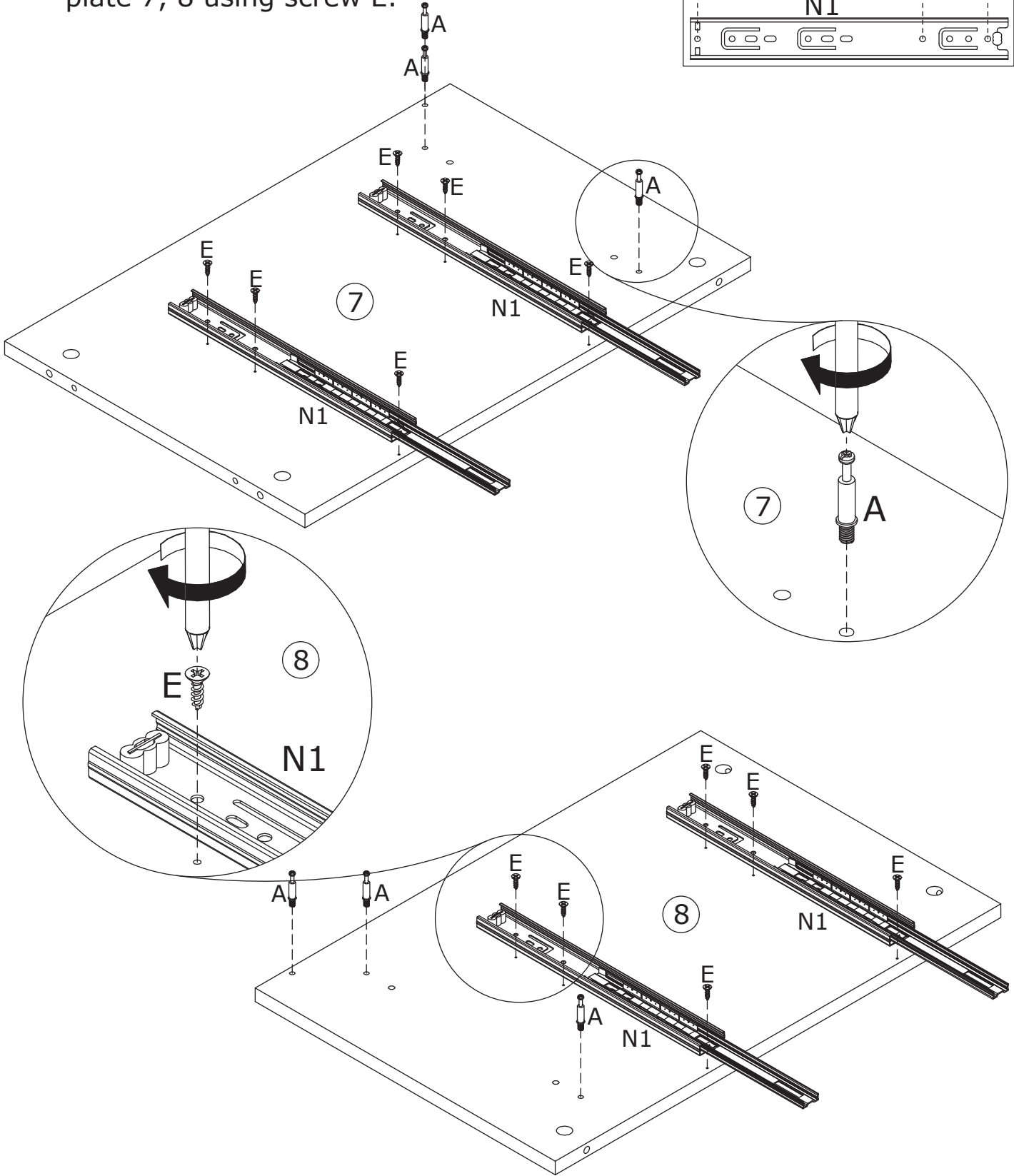
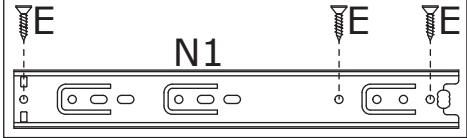
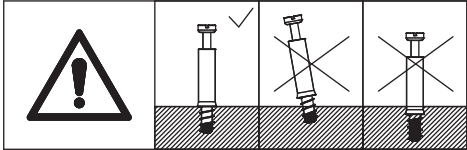
Connect plate 1, 6 to plate 2, 3 using wooden pin C, and lock by rotating eccentric cam B clockwise.



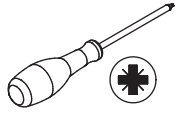
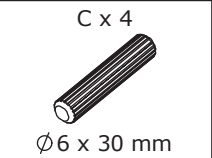
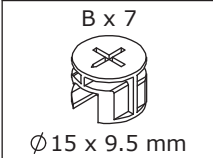
5



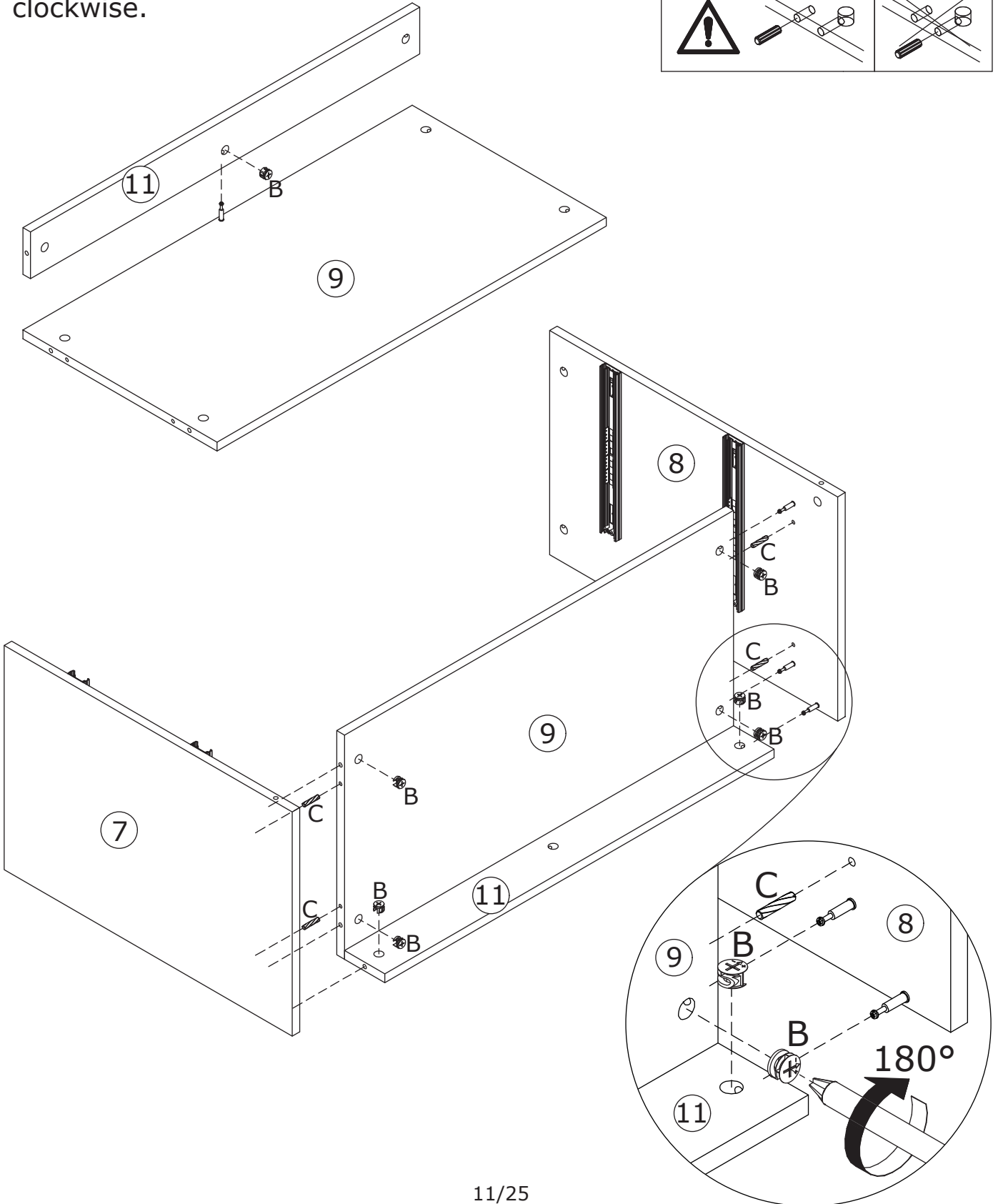
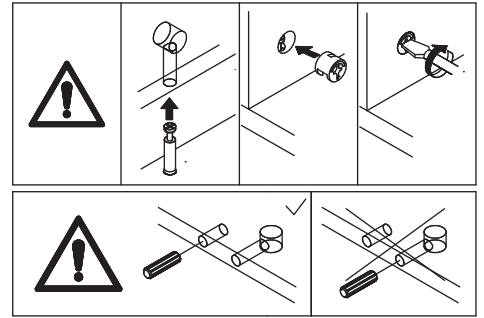
Screw eccentric rod A into plate 7, 8.  
Then secure slide rail N1 to plate 7, 8 using screw E.



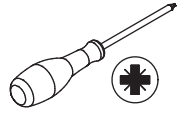
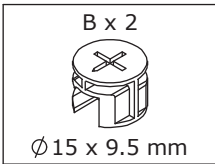
6



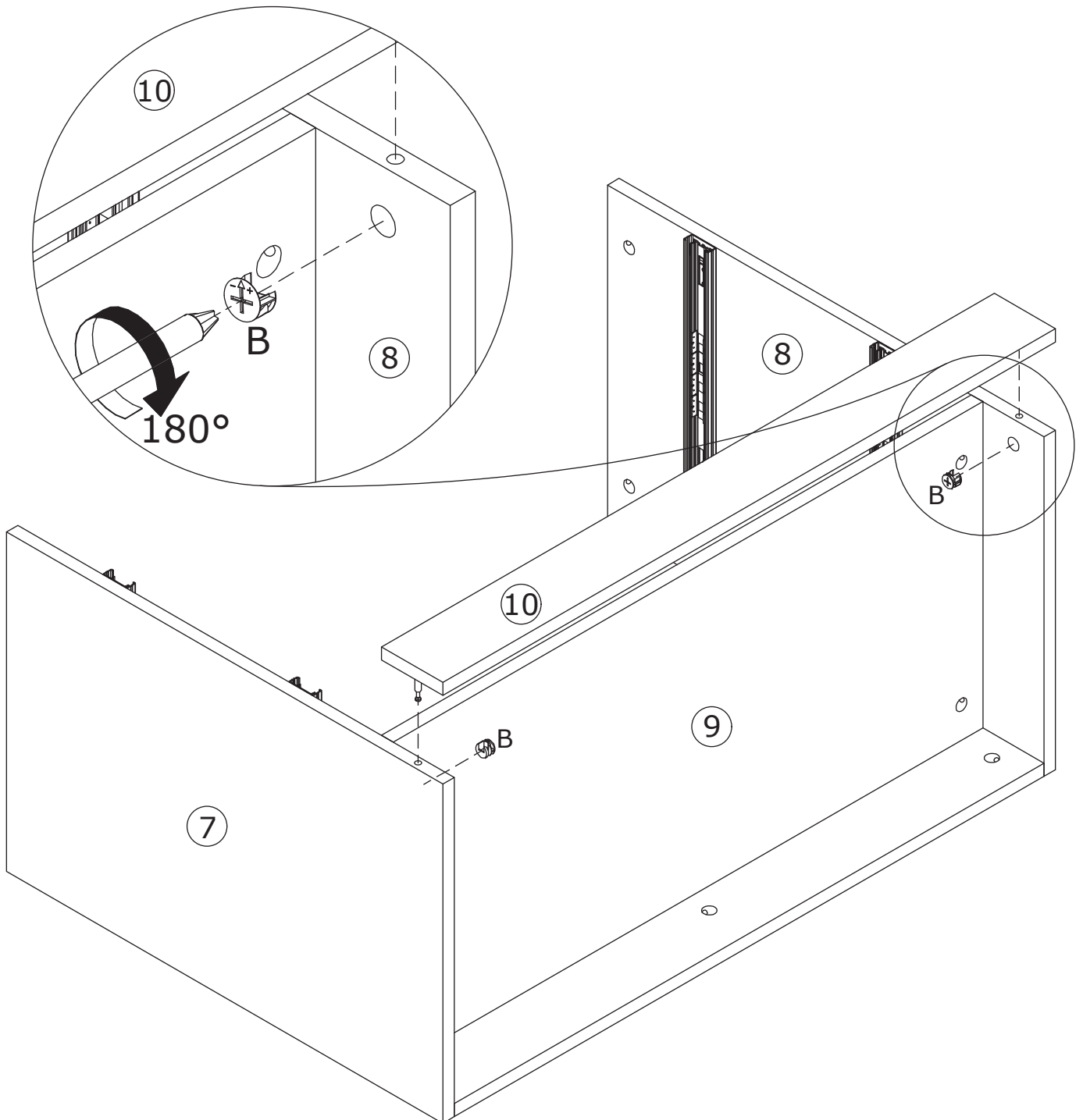
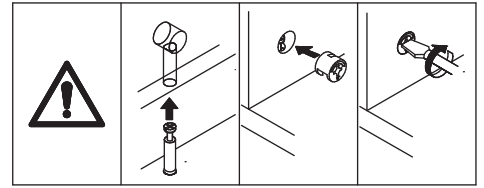
Attach plate 11 to plate 9 and lock by rotating eccentric cam B clockwise..  
Attach plate 7, 8 to plate 9, 11 using wooden pin C and lock by rotating eccentric cam B clockwise.



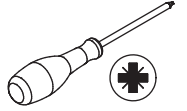
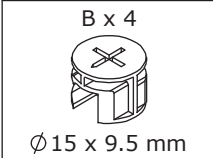
7



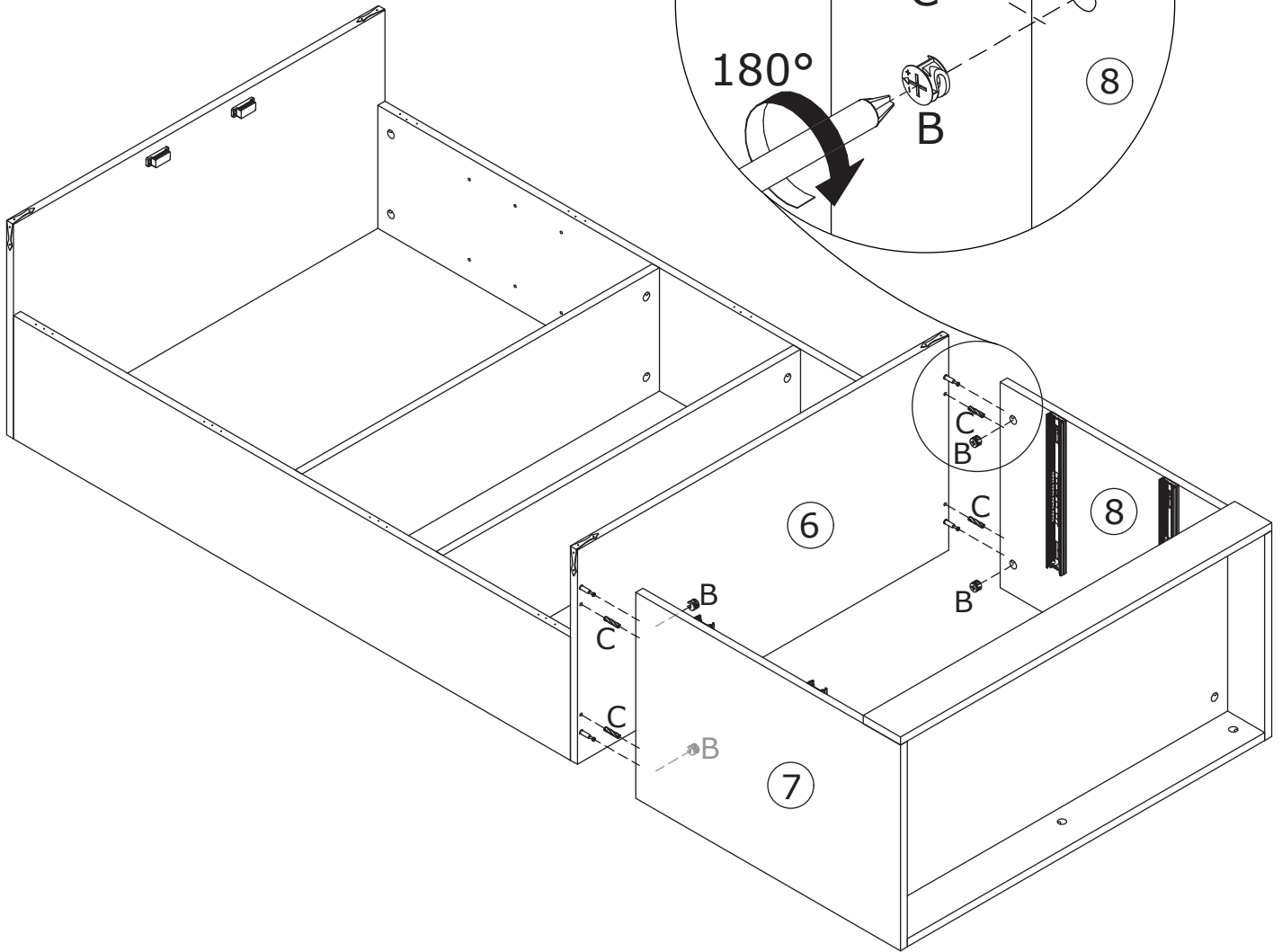
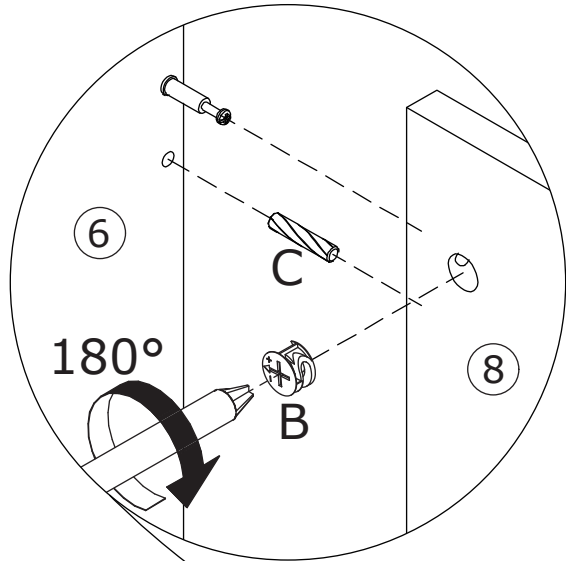
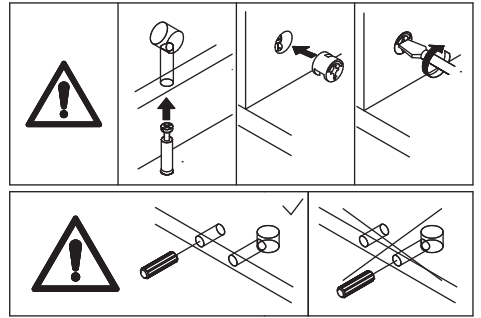
Attach plate 10 to plate 7, 8 and lock by rotating eccentric cam B clockwise.



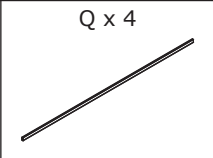
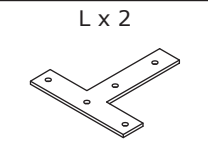
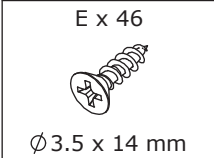
8



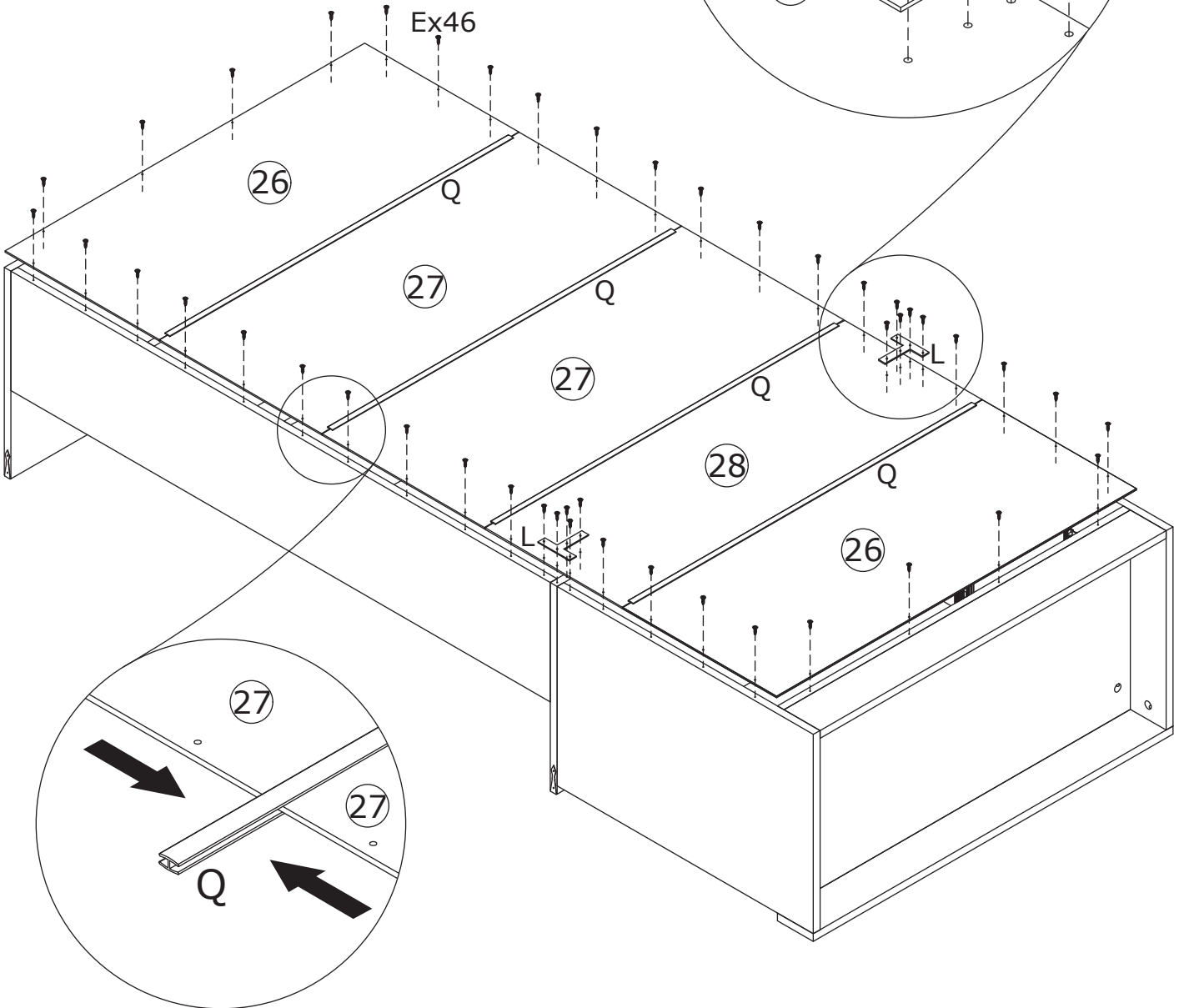
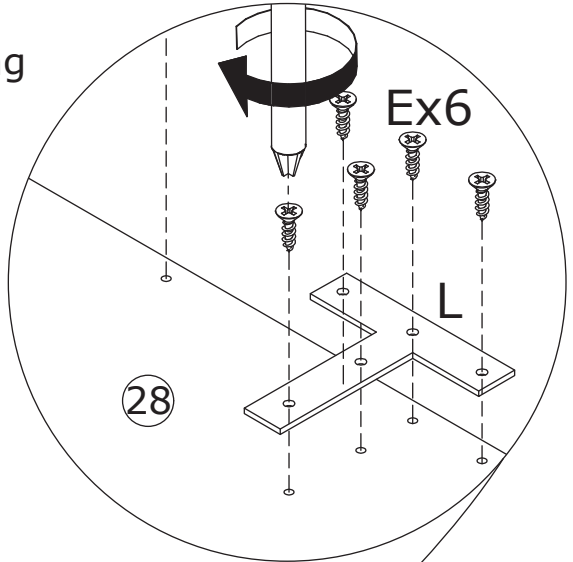
Connect the upper part of the unit to the lower part using wooden pin C and lock by rotating eccentric cam B clockwise.



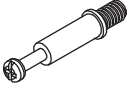

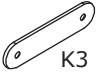
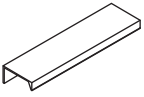
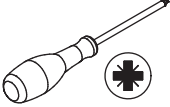
9

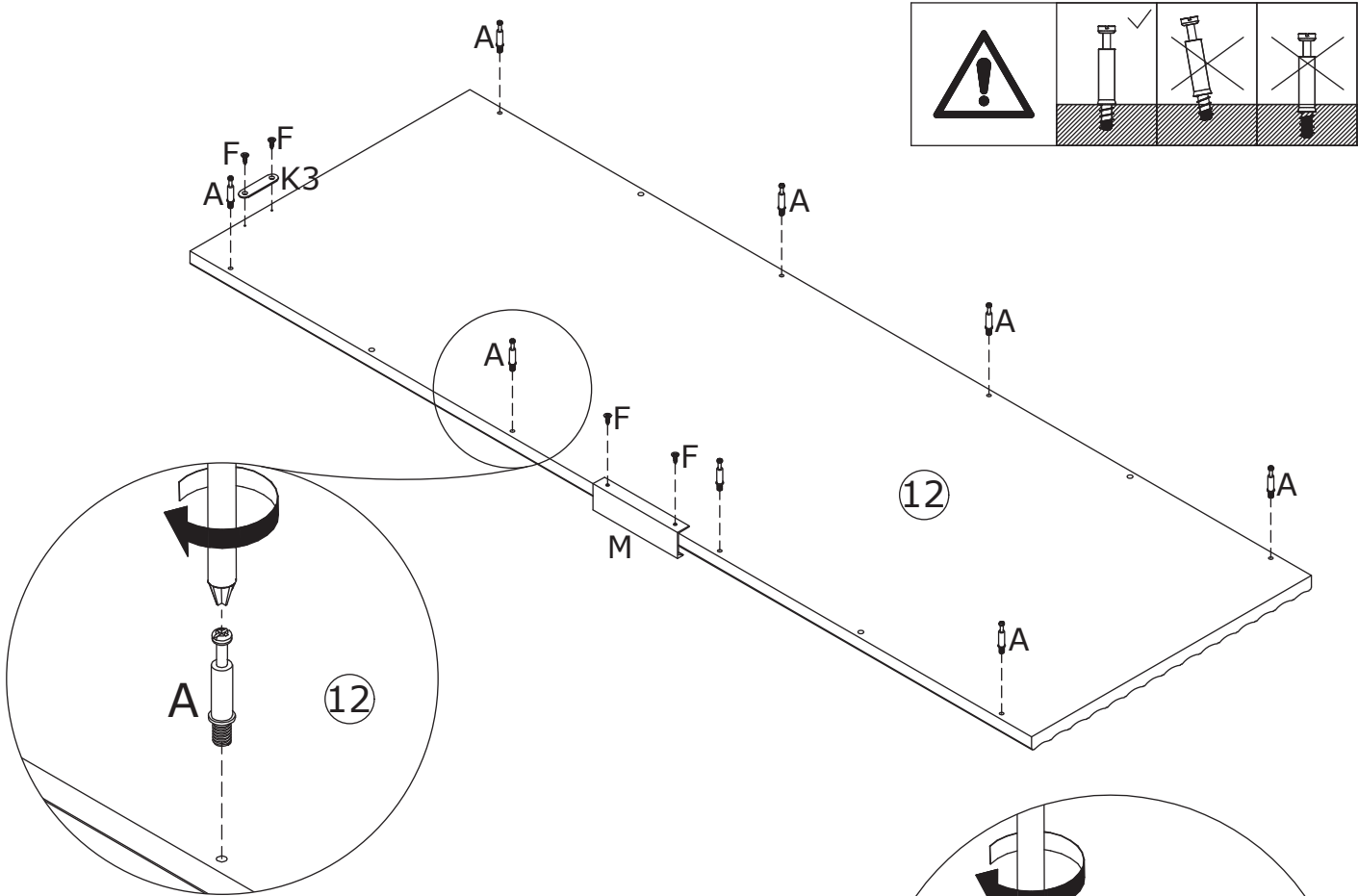
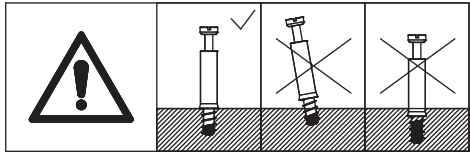


Connect boards 26, 27, 28 to strip tabs Q first, then secure them to the unit using screw E.  
Place the fitting L to plate 28 and fix using screw E.

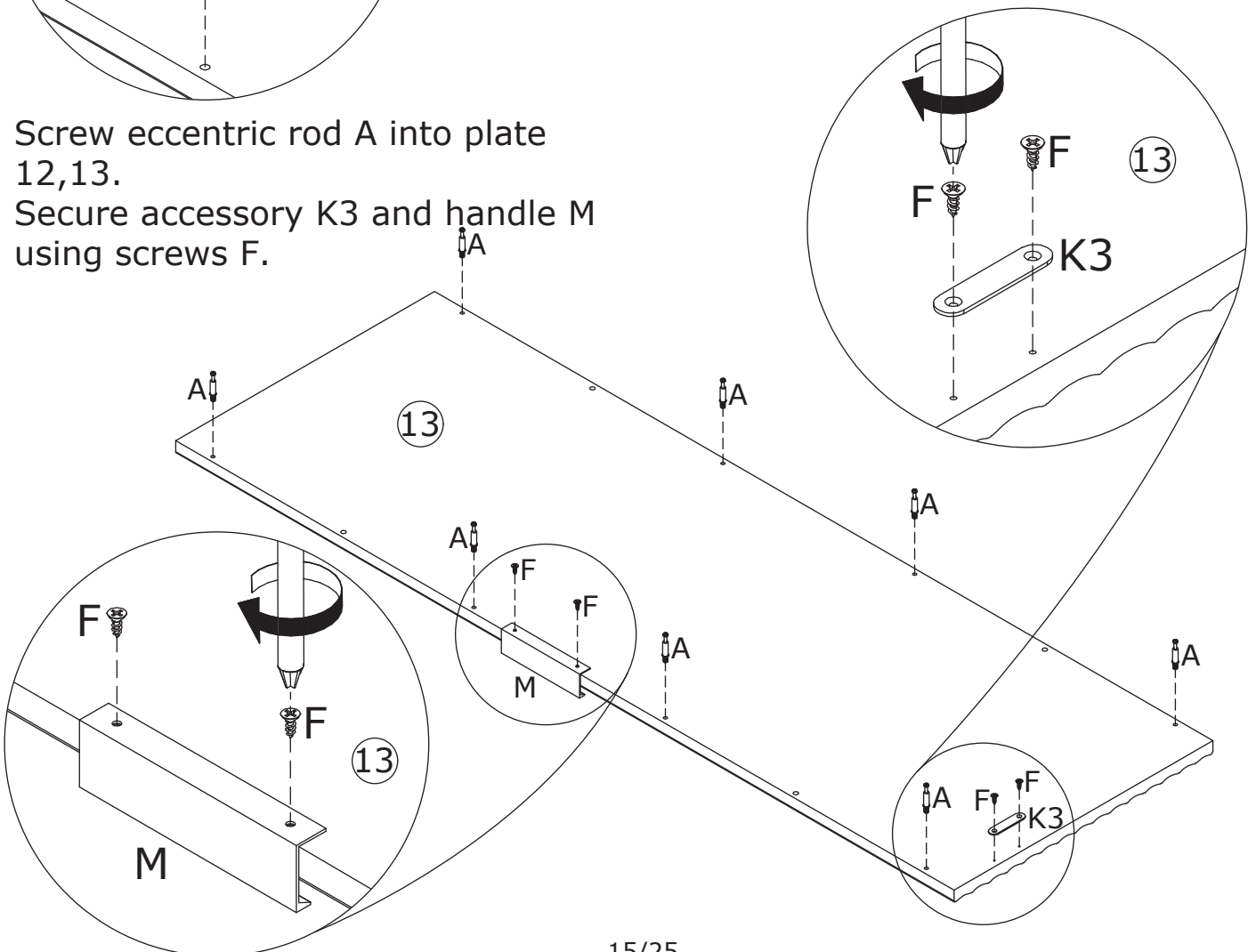


10

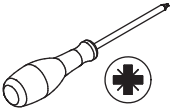
<p>A x 16  Ø6 x 35 mm</p>	<p>F x 8  Ø3 x 12 mm</p>	<p>K x 2  K3</p>	<p>M x 2 </p>	
--	---	---	---	---



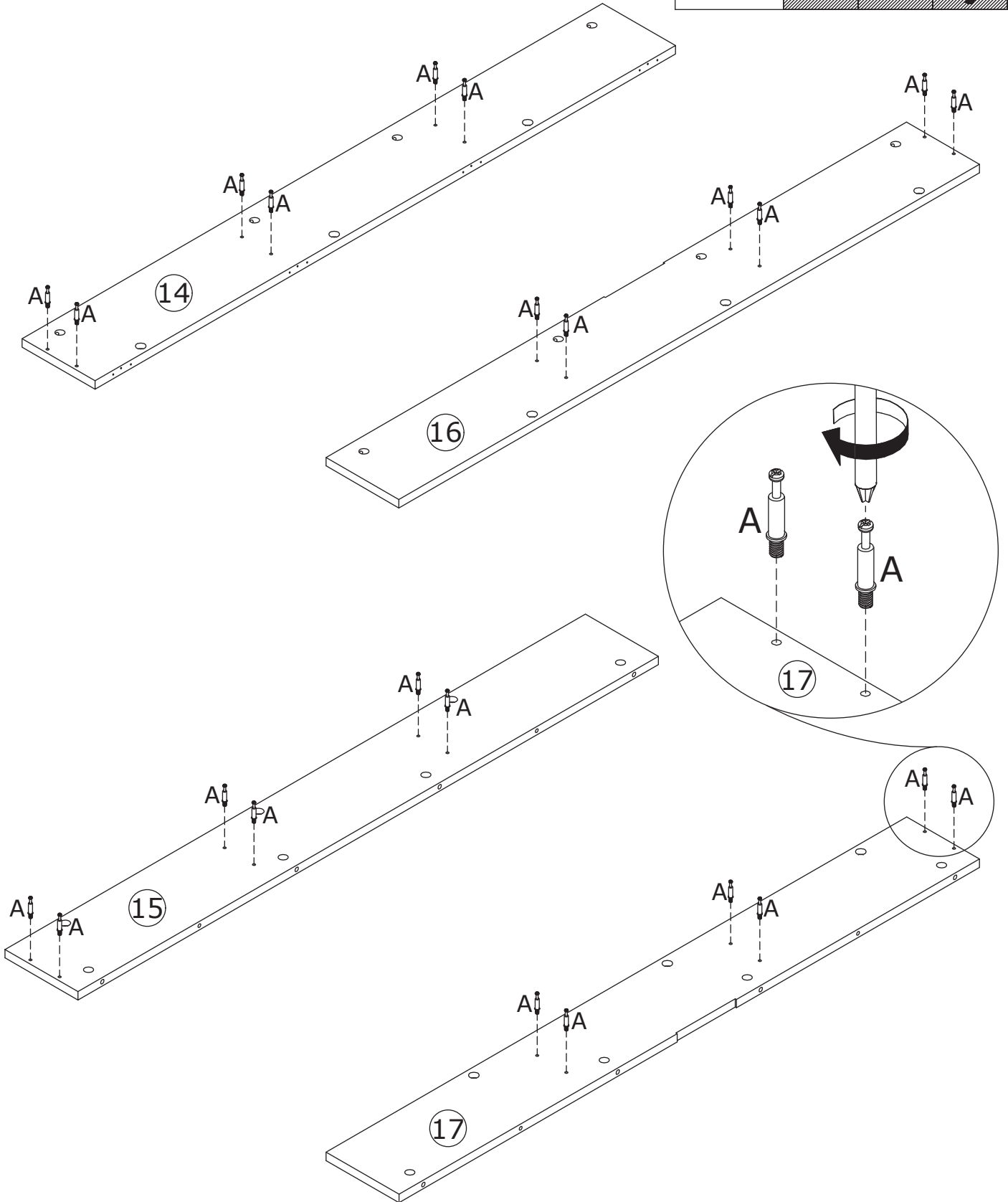
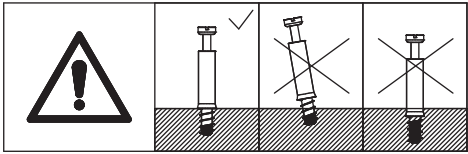
Screw eccentric rod A into plate 12,13.  
Secure accessory K3 and handle M using screws F.



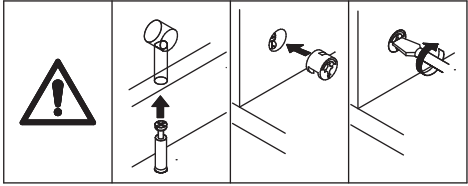
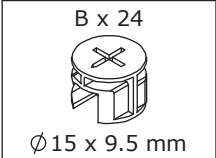
11



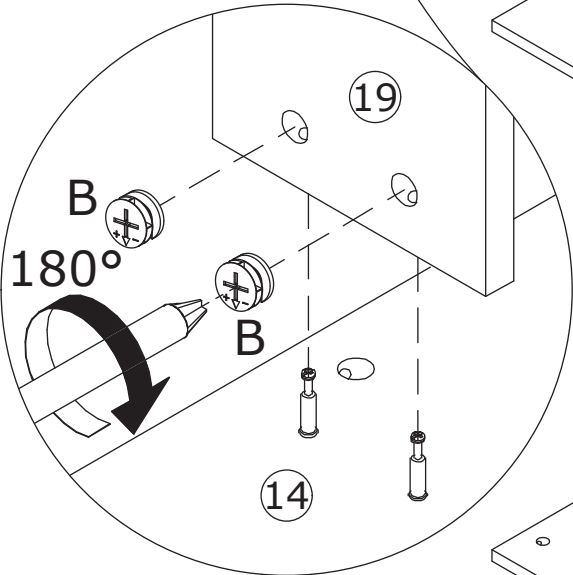
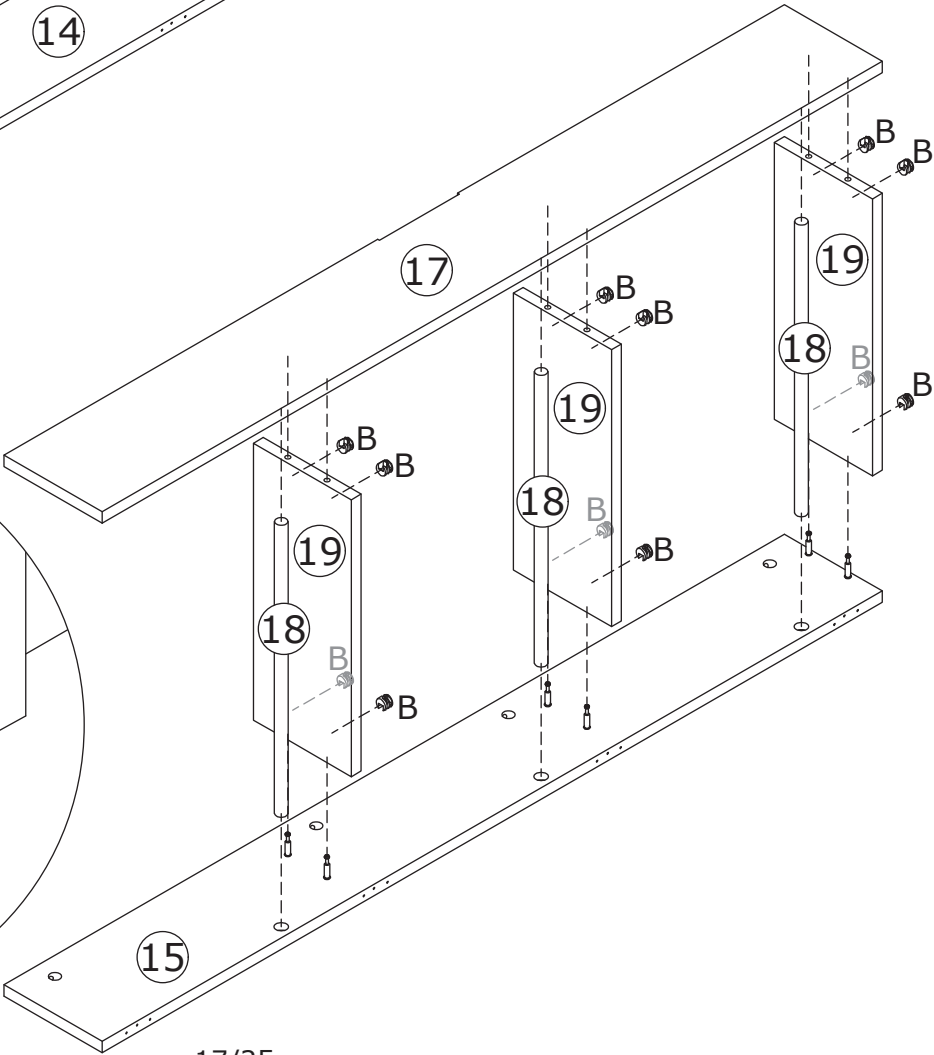
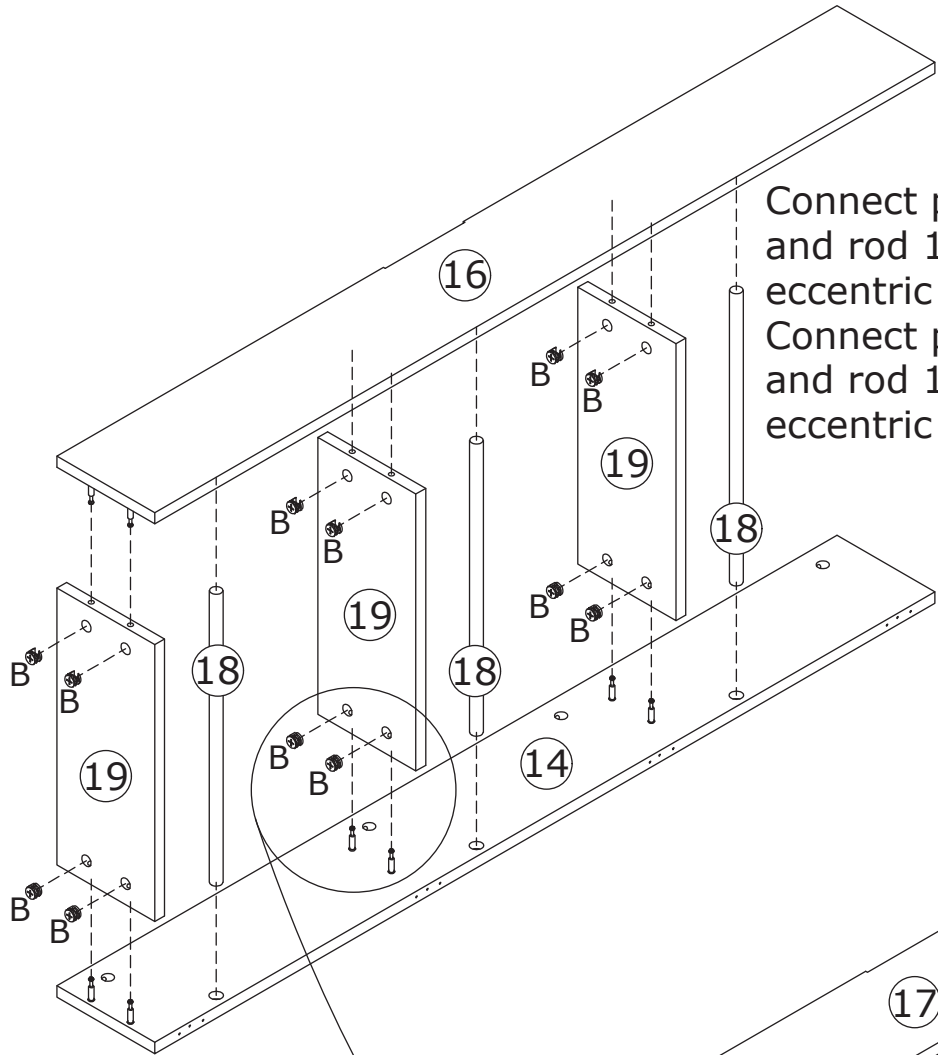
Screw eccentric rod A into plate 14, 15, 16, 17.



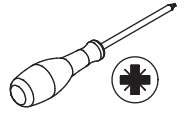
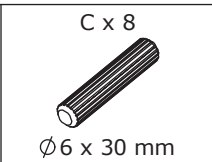
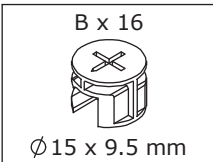
# 12



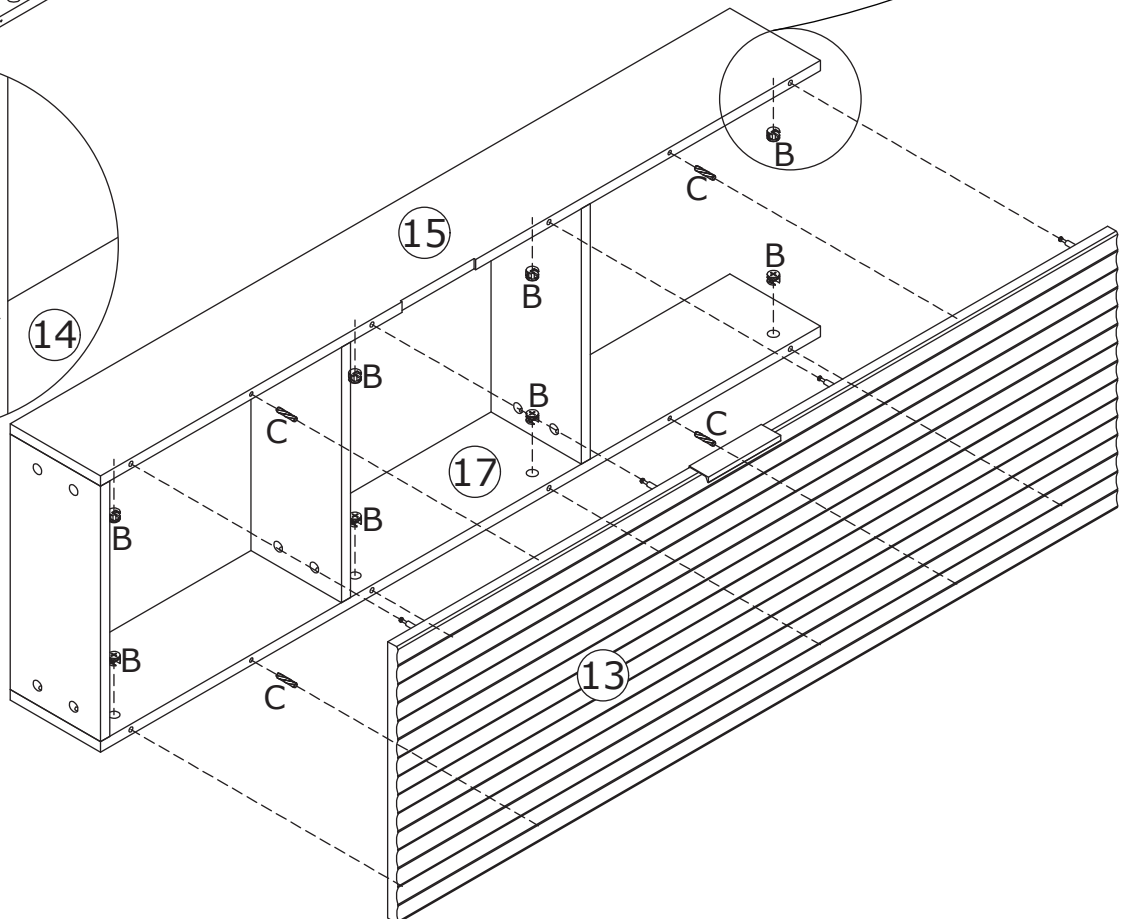
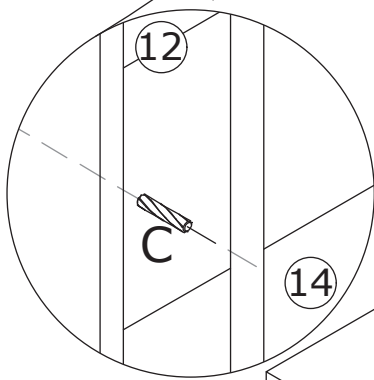
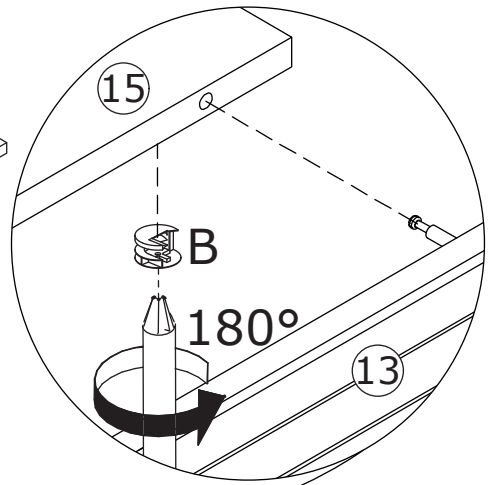
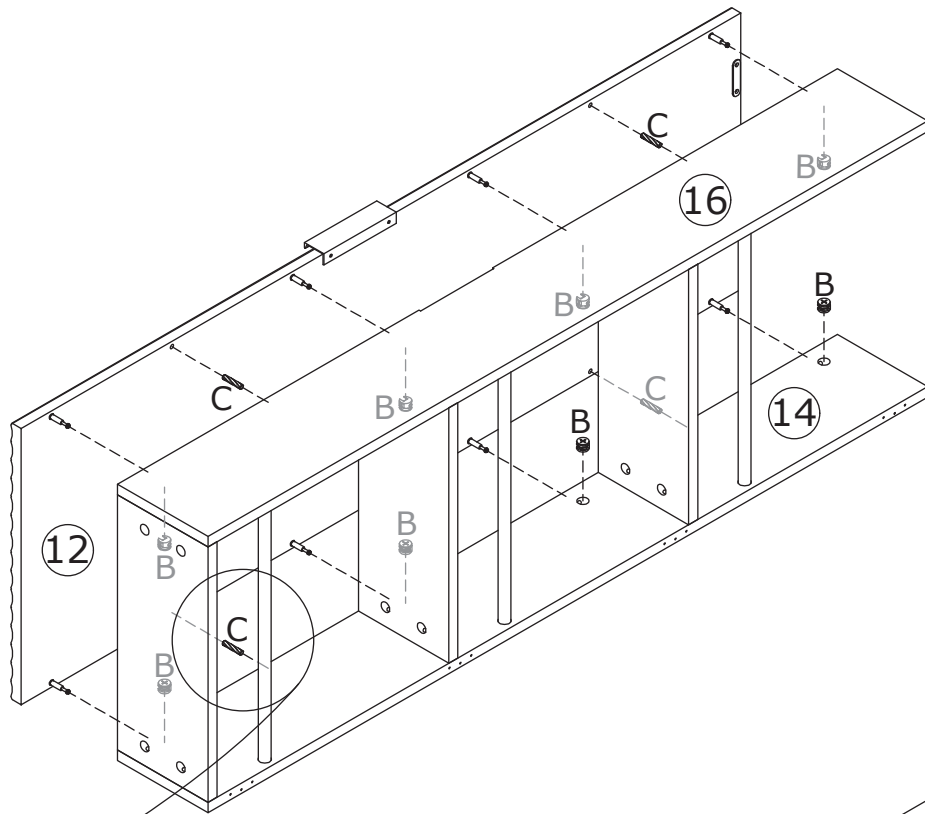
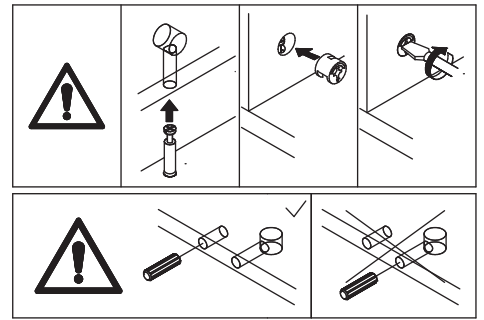
Connect plate 14, 16 to plate 19 and rod 18, and lock by rotating eccentric cam B clockwise.  
Connect plate 15, 17 to plate 19 and rod 18, and lock by rotating eccentric cam B clockwise.



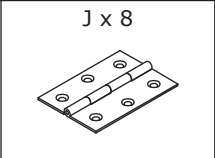
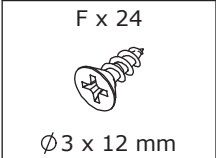
# 13



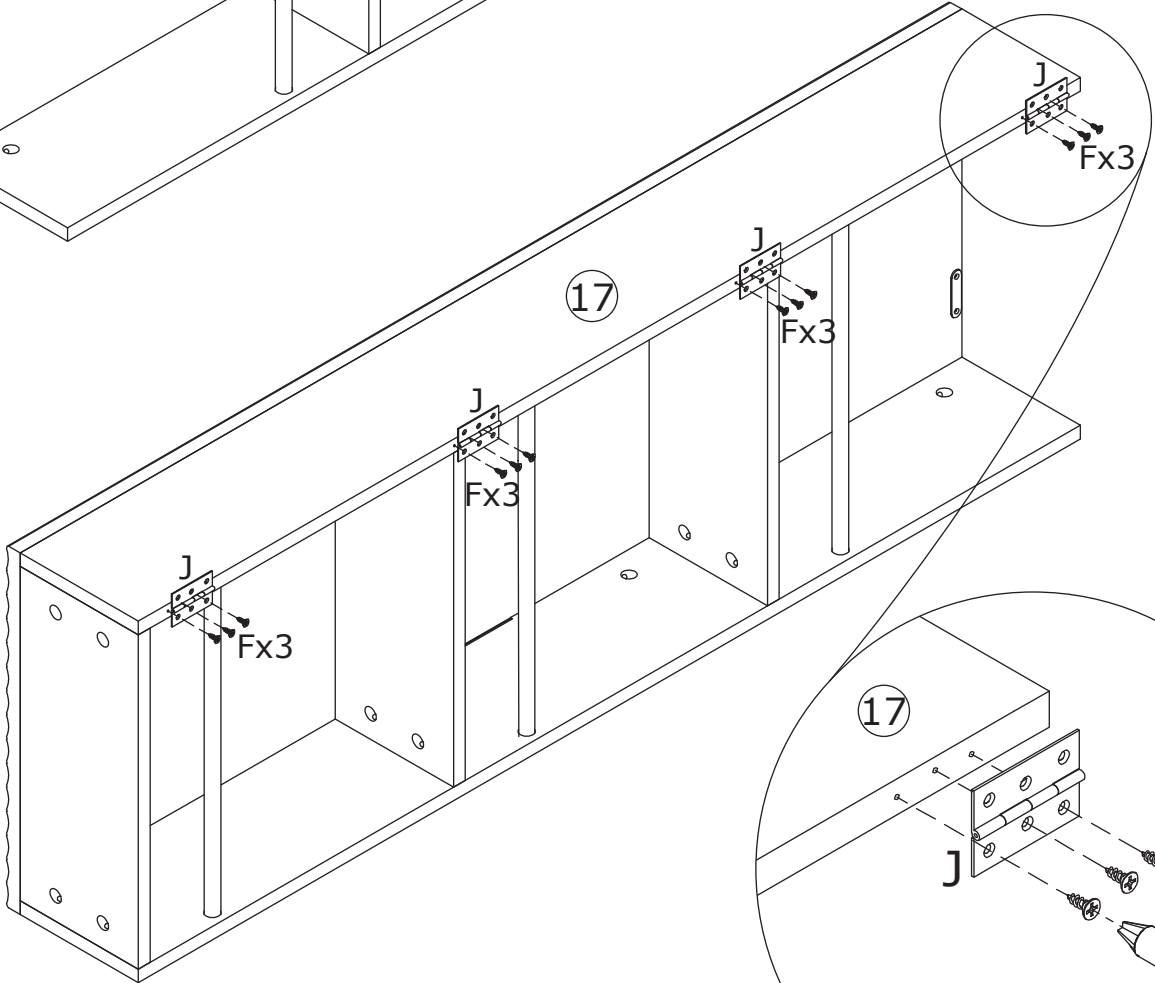
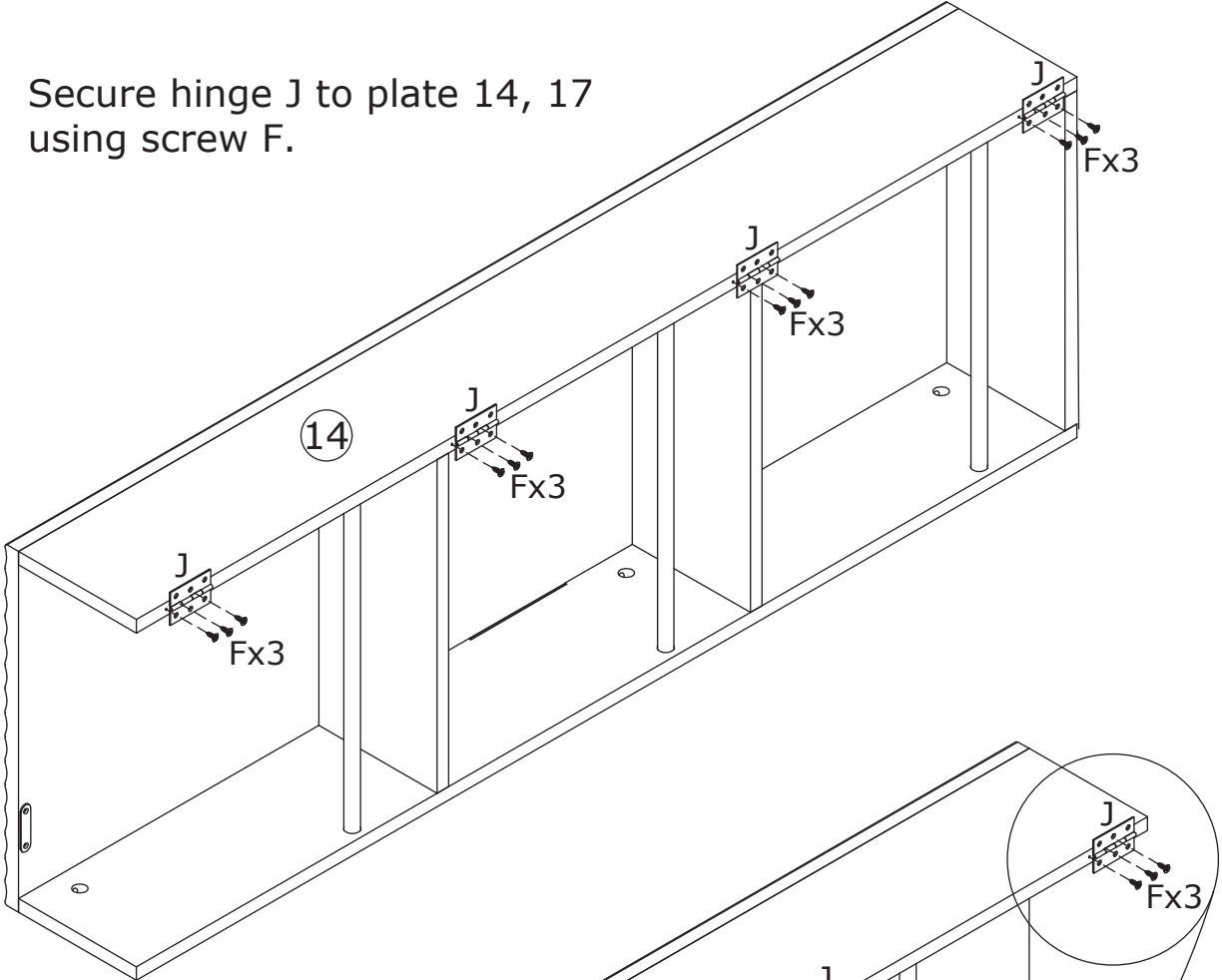
Connect plate 12, 13 to the two components respectively using wooden pins C, and lock by rotating eccentric cam B clockwise.



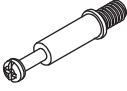
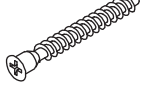

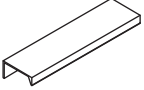
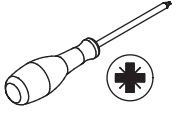
14

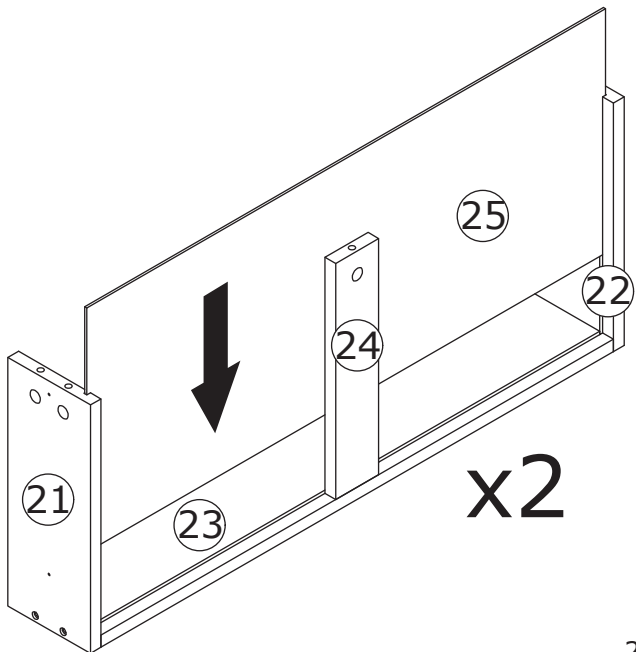
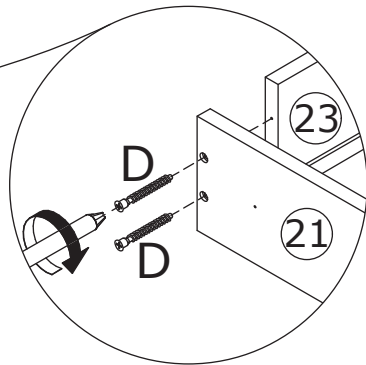
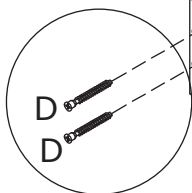
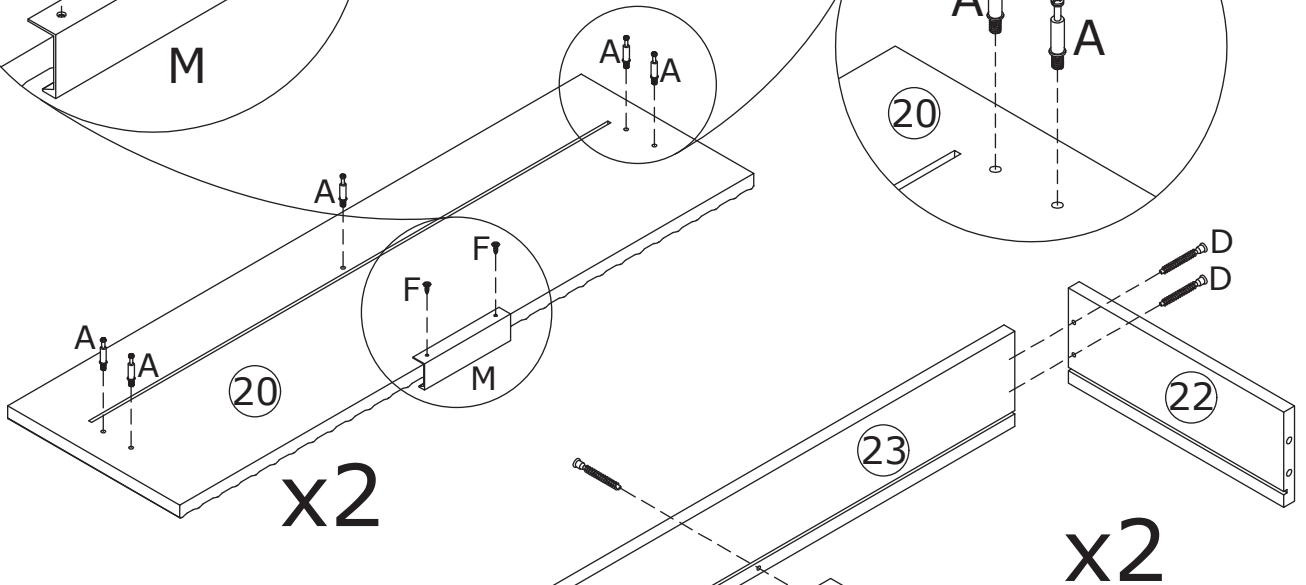
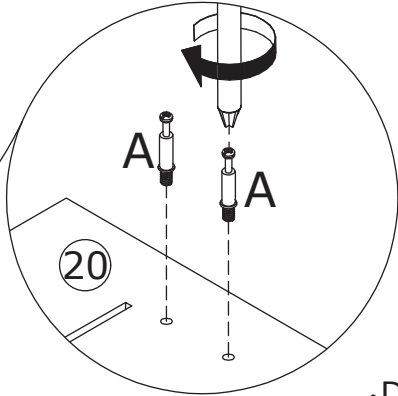
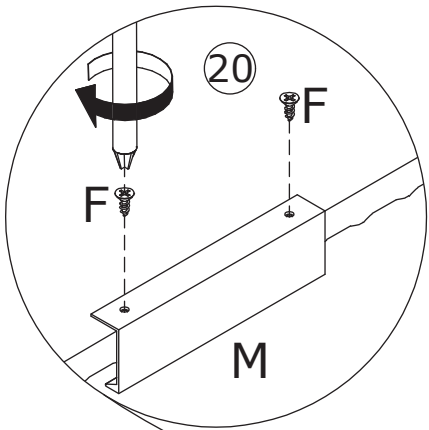
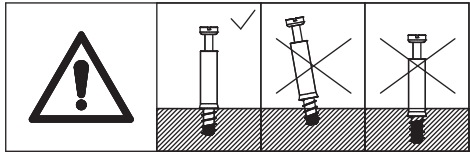


Secure hinge J to plate 14, 17 using screw F.



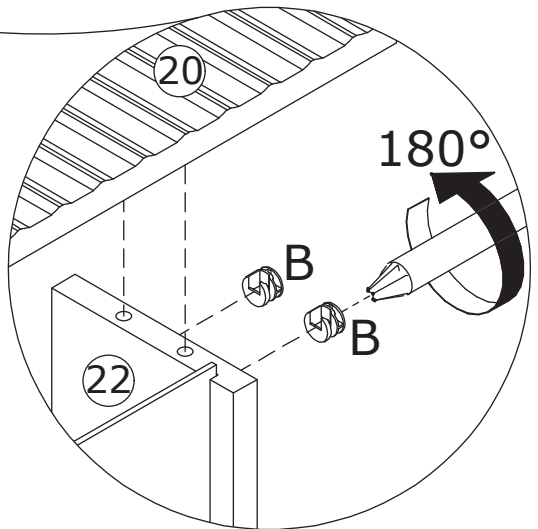
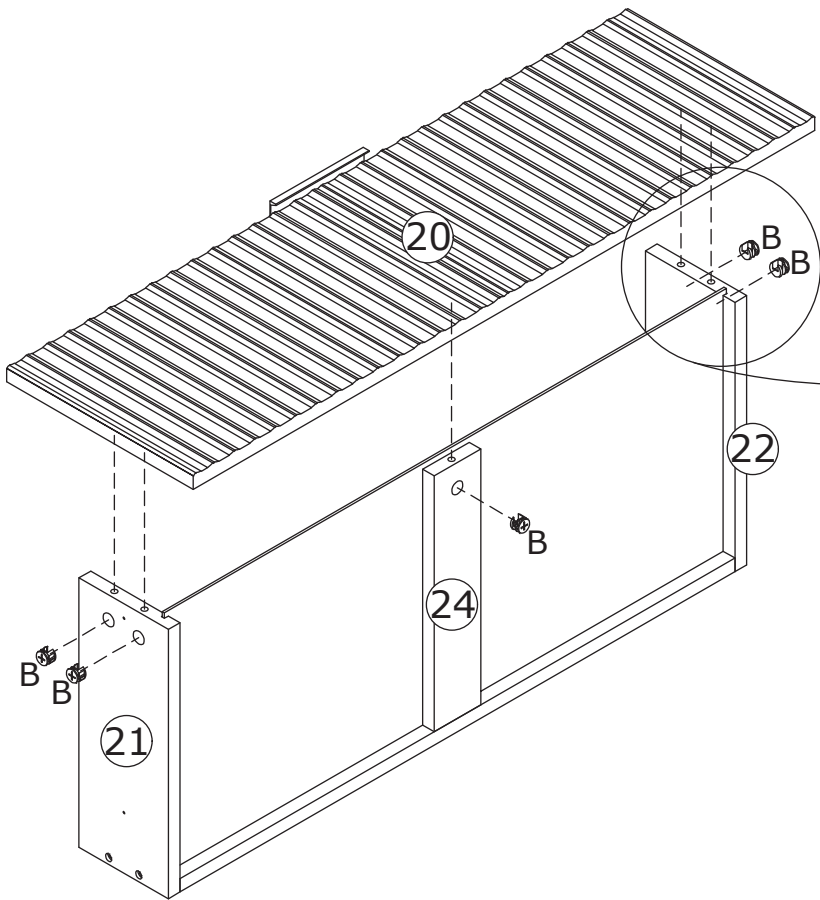
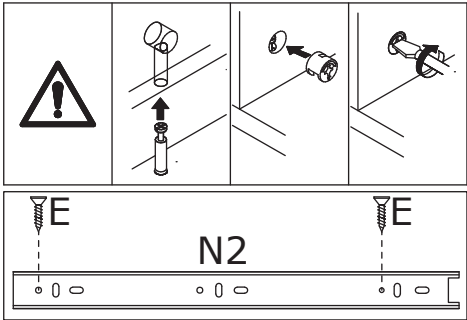
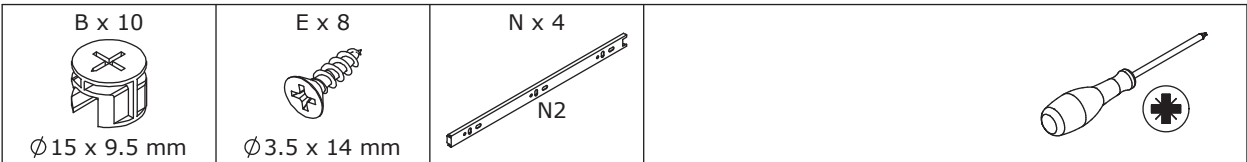
15

A x 10  Ø6 x 35 mm	D x 10  Ø5 x 40 mm	F x 4  Ø3 x 12 mm	M x 2 	
---	---	--	---	---

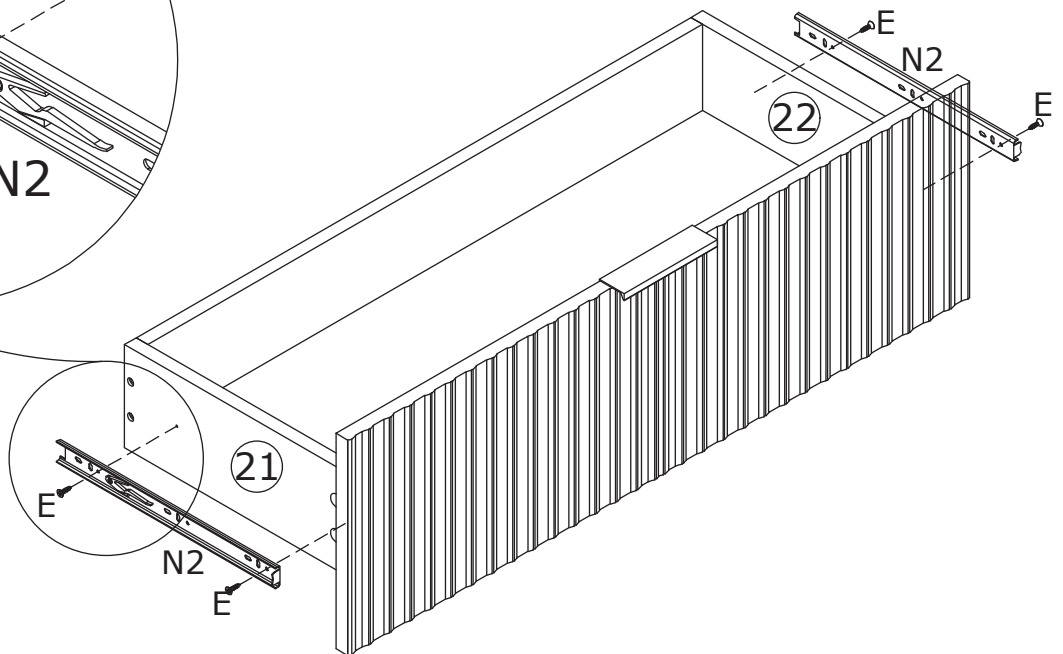
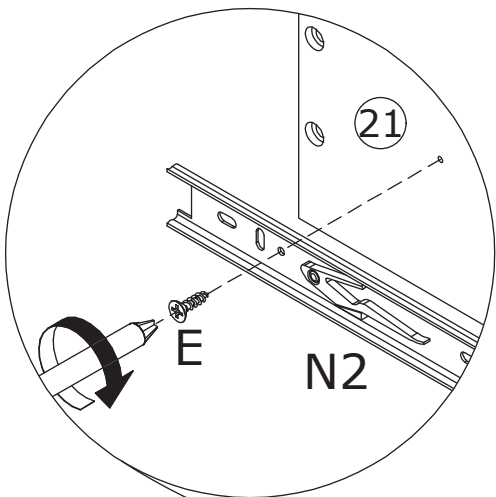


Screw eccentric rod A into plate 20.  
Secure plate 21, 22, 24 to plate 23  
using screw D.  
Slide plate 25 into the slots.  
Secure handle M to plate 20 using  
screw F.

16

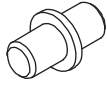


Attach plate 20 to the drawer and lock by rotating eccentric cam B clockwise.  
Attach track N2 to plate 21, 22 using screw E.

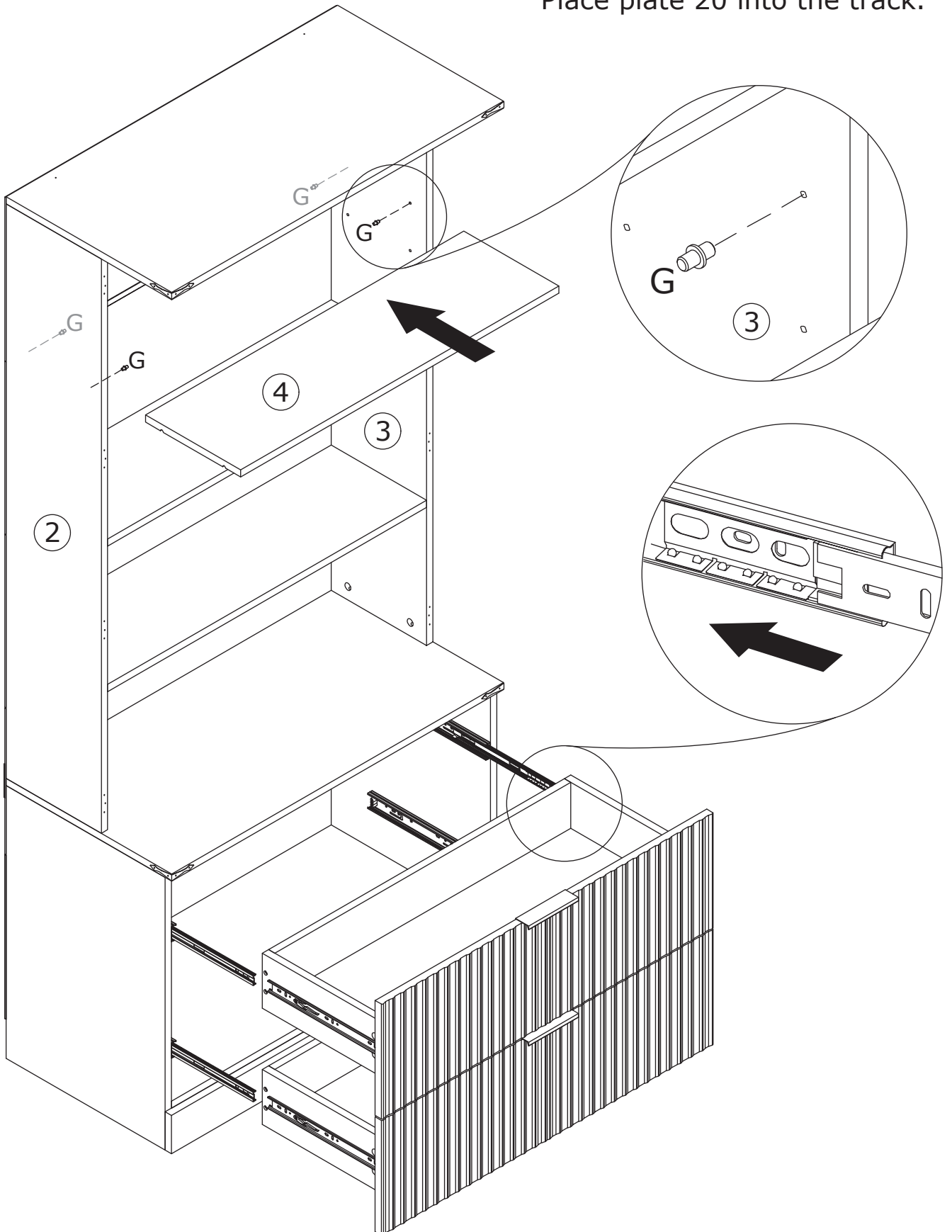


17

G x 4

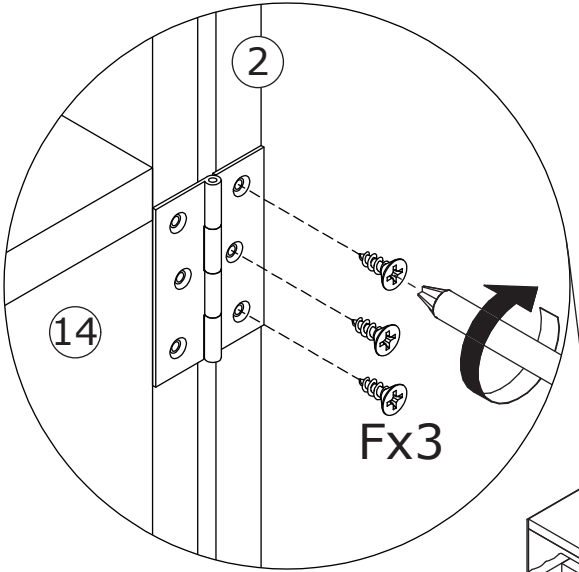
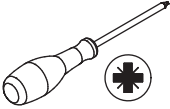


Insert fitting G into holes .  
Place plate 20 into the track.

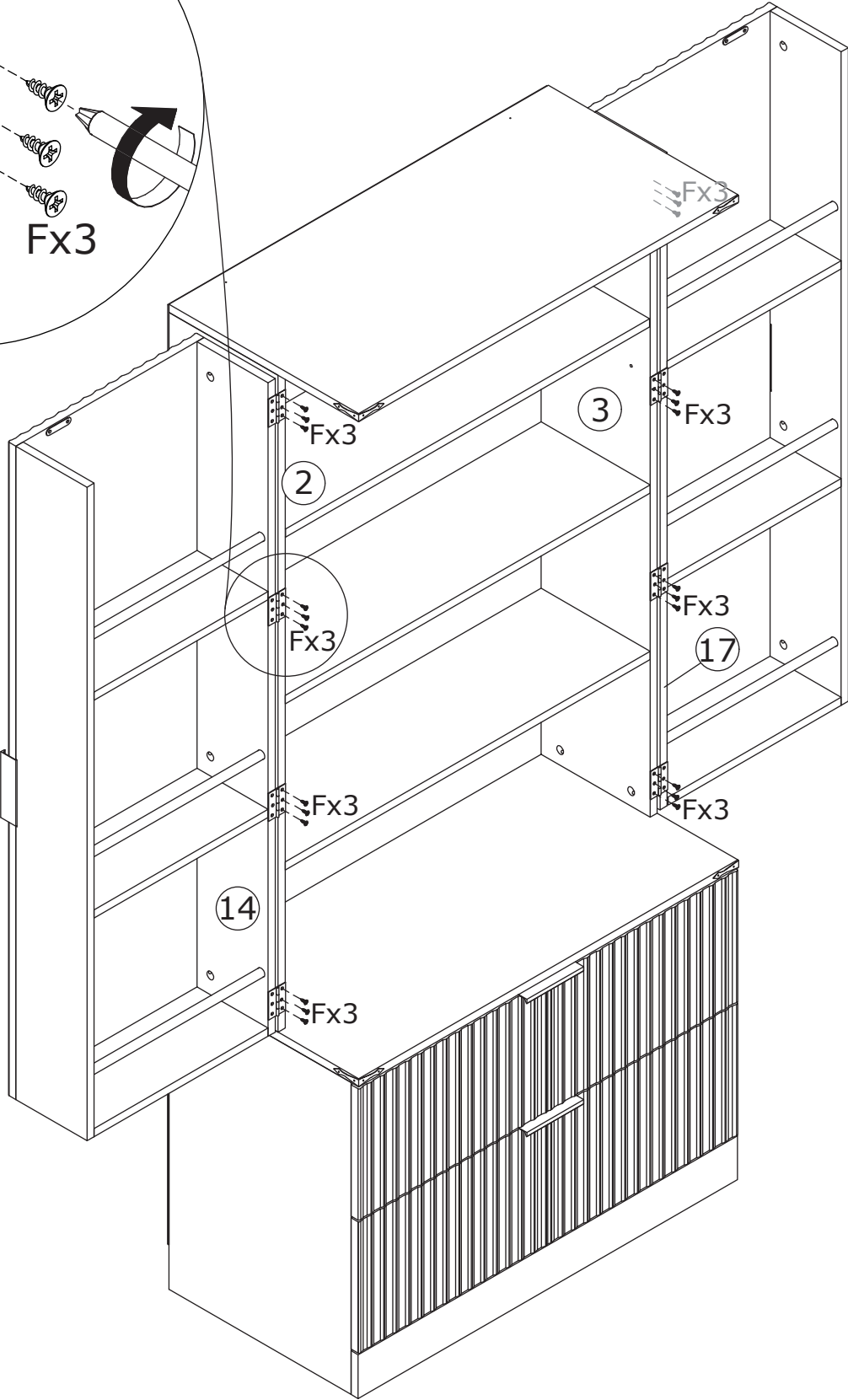


18

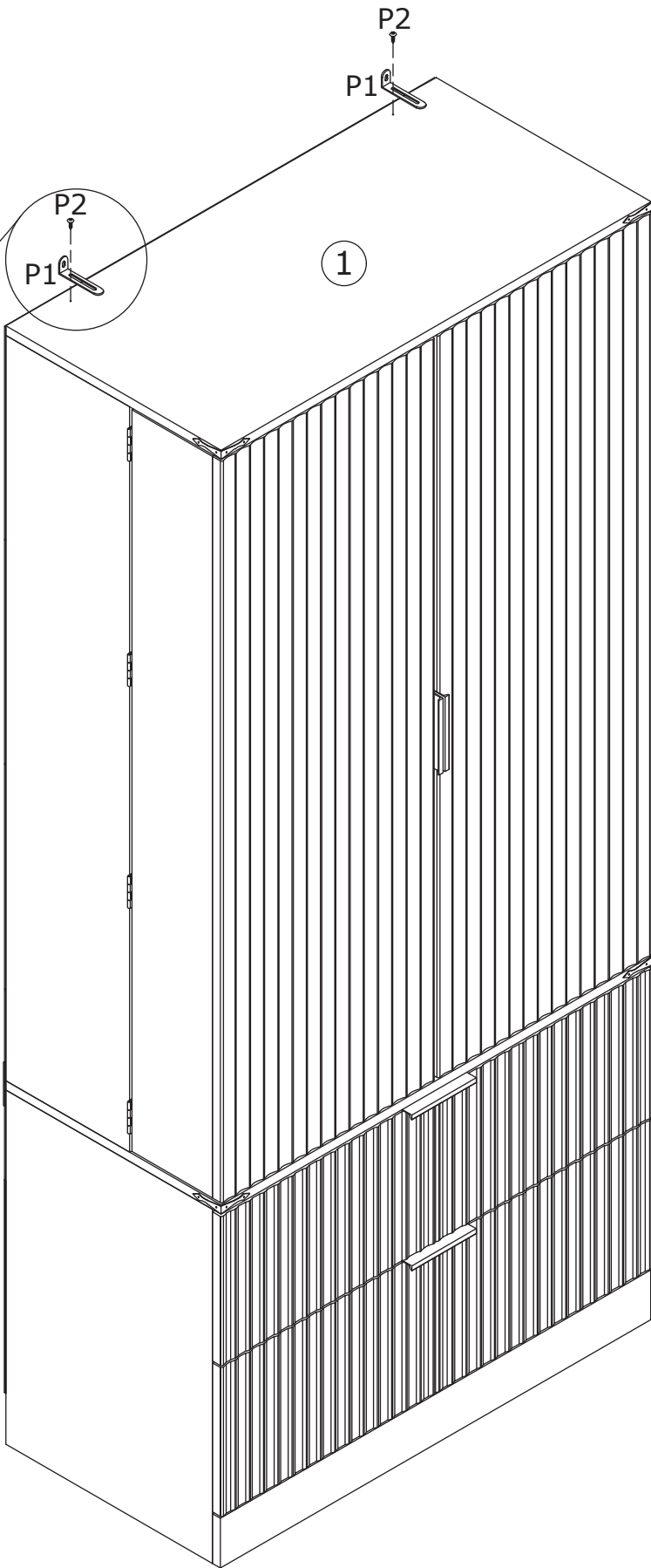
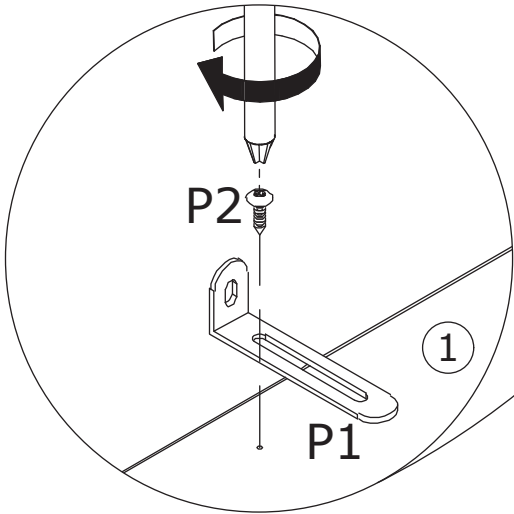
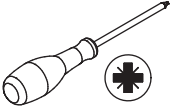
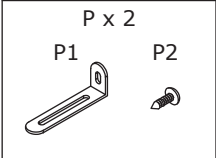
F x 24  
Ø3 x 12 mm



Secure the assembled hinges to plate 2, 3 using screw F.

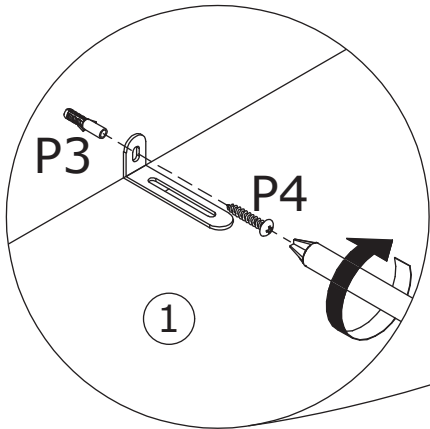
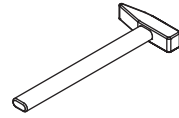
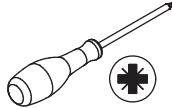
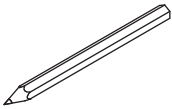
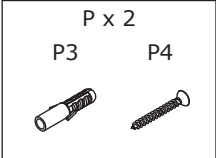


19

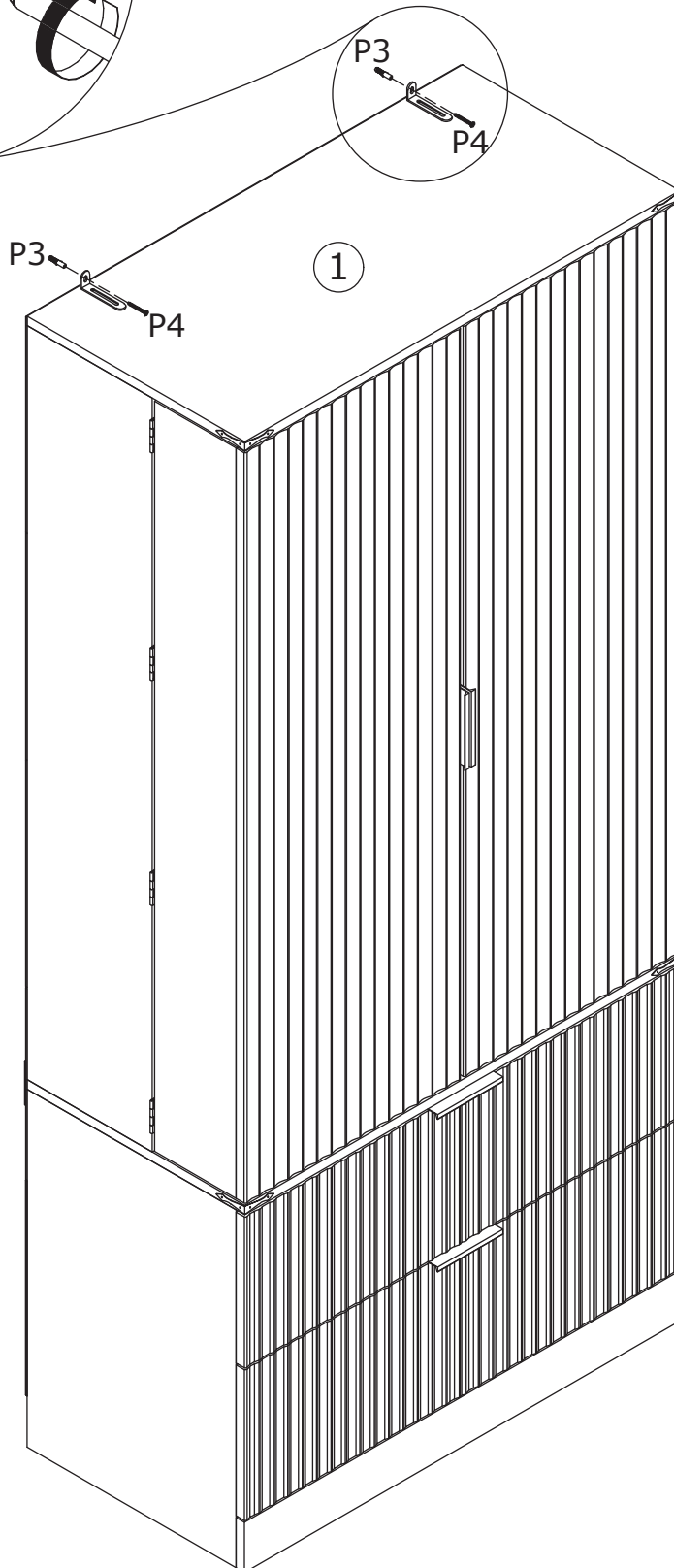


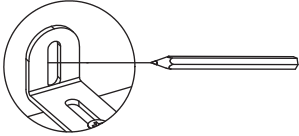
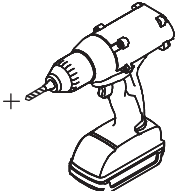
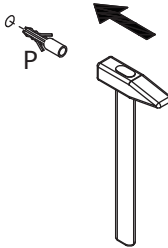
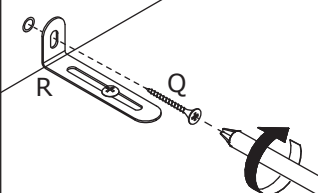
Secure the fitting P1 to plate 1 using screw P2.

20



Connect the cabinet to the wall by means of the anti-tipping fitting P.



1.  A pencil is used to mark the wall where the anti-tipping fitting will be installed.
2.  A cordless drill is used to drill a hole into the wall.
3.  A hammer is used to drive the anti-tipping fitting P into the wall.
4.  A screw is inserted through part P3 into part P4, and a screwdriver is used to tighten it.

# WARRANTY

## WARRANTY CLAIMS

- There is a 30-day warranty for broken furniture or any other problems that do not work properly. The warranty will start from the date of purchase which must be verified by proof of purchase.
- Before making a claim, we may be able to answer your query, simply call us. Please leave your purchase order number, along with some details of the problem, if you want a replacement part. We will arrange within 48 hours. If there is out of stock, we will reply with a shipping date.
- The product must be used in accordance with the instructions provided. For health reasons.
- For other reasons, if the furniture needs to be returned, it must be cleaned and dried and operated within 30 days of receipt.

## Type of Warranty Claim

- Failure to follow the furniture instructions will invalidate the warranty. Attention please.
- Does not include damage during installation, but includes damage during transportation.

## Scope of responsibility

- Shall not bear any responsibility for misuse or user damage and / or loss of parts during the installation of furniture.
- After using, the damage and scratches of the furniture are not covered by the warranty.

## The Warranty Relates to All Bought in The Us and Covers The Following Areas

- Sheet parts: 1 month from the date of purchase.
- Electrical parts: 1 month from the date of purchase.

# RETURNS

## CHANGED YOUR MIND AND NEED TO RETURN YOU ITEM?

### PLEASE FOLLOW THE BELOW INSTRUCTIONS:

- If you have purchased and have simply changed your mind, follow the retailer's instructions for returns.

### DEFECTIVE ITEMS

- If your item is defective in any way, i.e. it doesn't work but you can't identify why, in the first instance, please call us.

### DAMAGED ITEMS

- If you receive an order with obvious shipping damage from the retailer, then we suggest the delivery is refused. If the delivery has been accepted and then shipping damage is found, please follow the specific instructions advised by the retailer.  
In all circumstances please save all packaging material and paperwork for the order. Please be aware that if you dispose of packaging material or attempt to return the merchandise without contacting the fulfiller, you jeopardise your chances of making a claim, and you may not receive a credit for the return.

### AFTER-SALES CONTACT



adelahu@fufugaga.com



208-820-0068