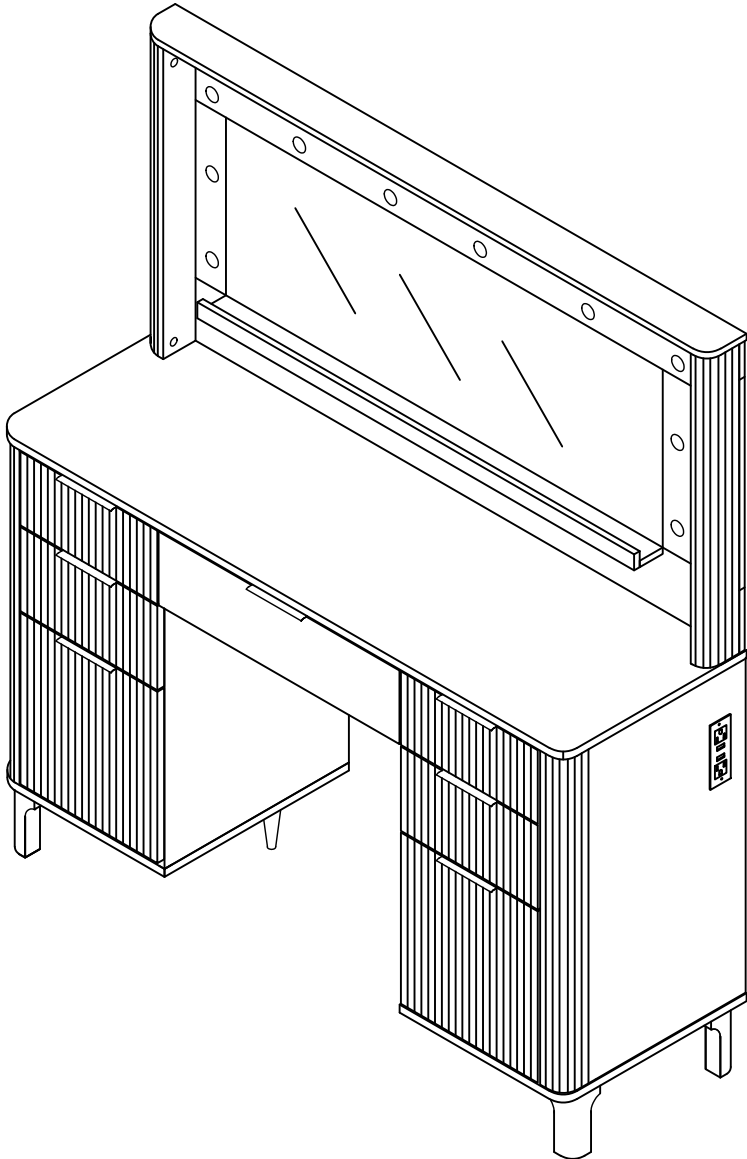


# Instruction Book

For specification: 124cm(L)x40cm(W)x138cm(H)

8809-PW instruction manual



Please don't tighten the screws completely and go back later for a final tightening of all the screws after pieces are aligned with each other. If you have any question, please feel free to contact us by Mail:3109155238@qq.com

Foreword:

Thank you for choosing our product! We hope you have a good shopping experience!

We aim to provide a 100% satisfaction product and customer service. If the received product has missing parts or components, arrived damaged, dissatisfaction with the order, or has questions about the assemble, please do not hesitate to contact us. Our customer service will reply within 12 hours. Find us here: 3109155238@qq.com

Specifications:

Product name: Makeup Vanity Desk with Lights and Mirror

Model: 8809

Package Dimension: 53.1x18.9 x9in / 135\*48\*23cm

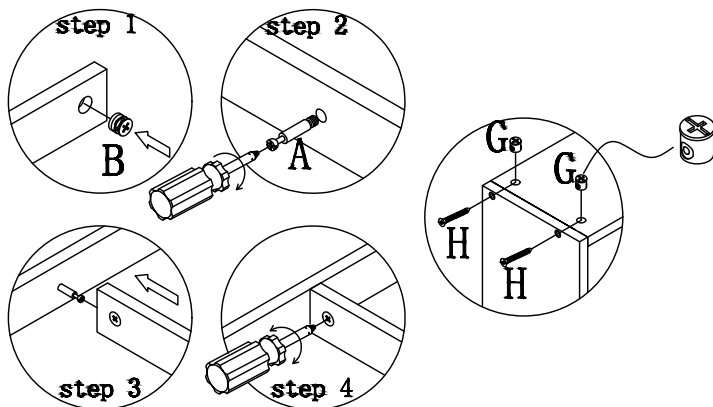
Product Size: 48.8 x15.7 x54.3 in / 124 x 40×138 cm

Weight: 108lb/49kg














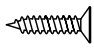







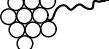
8809

Left cabinet

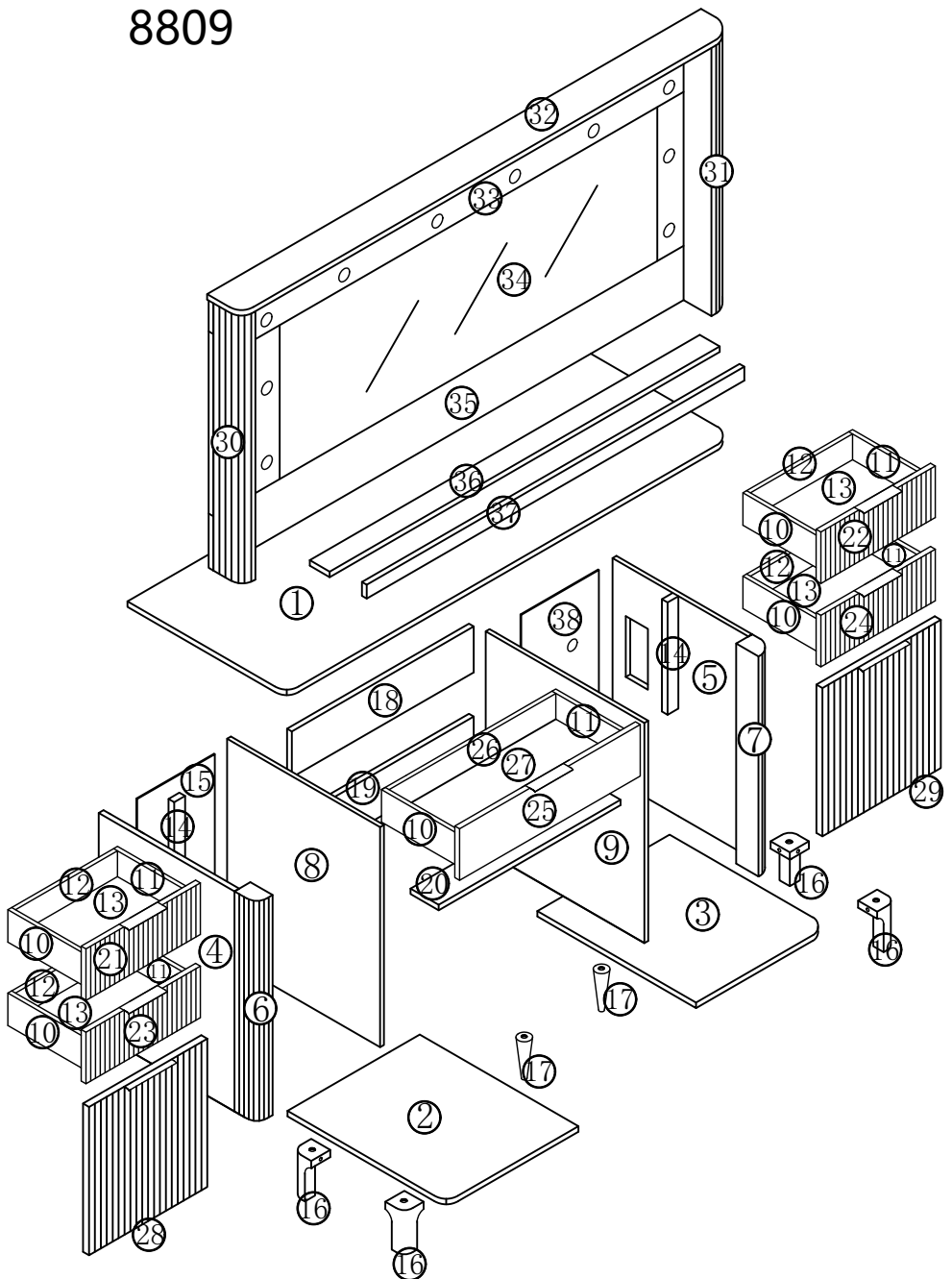
# A, B, G, H, C, D installation guide



## Accessories

 Three-in-one screw A*60	 Three-in-one nut B*74	 drawer Track CR*5	 drawer Track DR*5	 drawer Track CL*5	 drawer Track DL*5
 Three-in-one screw A2*14	 Handle E*7	 Handle Screw V*6	 Two-in-one nut G*8	 Two-in-one screw H*8	 Mu Xiao N*12
 Small Screw F*8	 Small Screw D*86	 Small Screw X*32	 Two-in-one screw Q*4	 Stool foot nail M*6	 screwdriver Z*1
 Door hinges K*4	 usb power P*1	 Meikong stickers C*4	 Bulb F*1		

8809

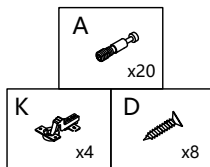
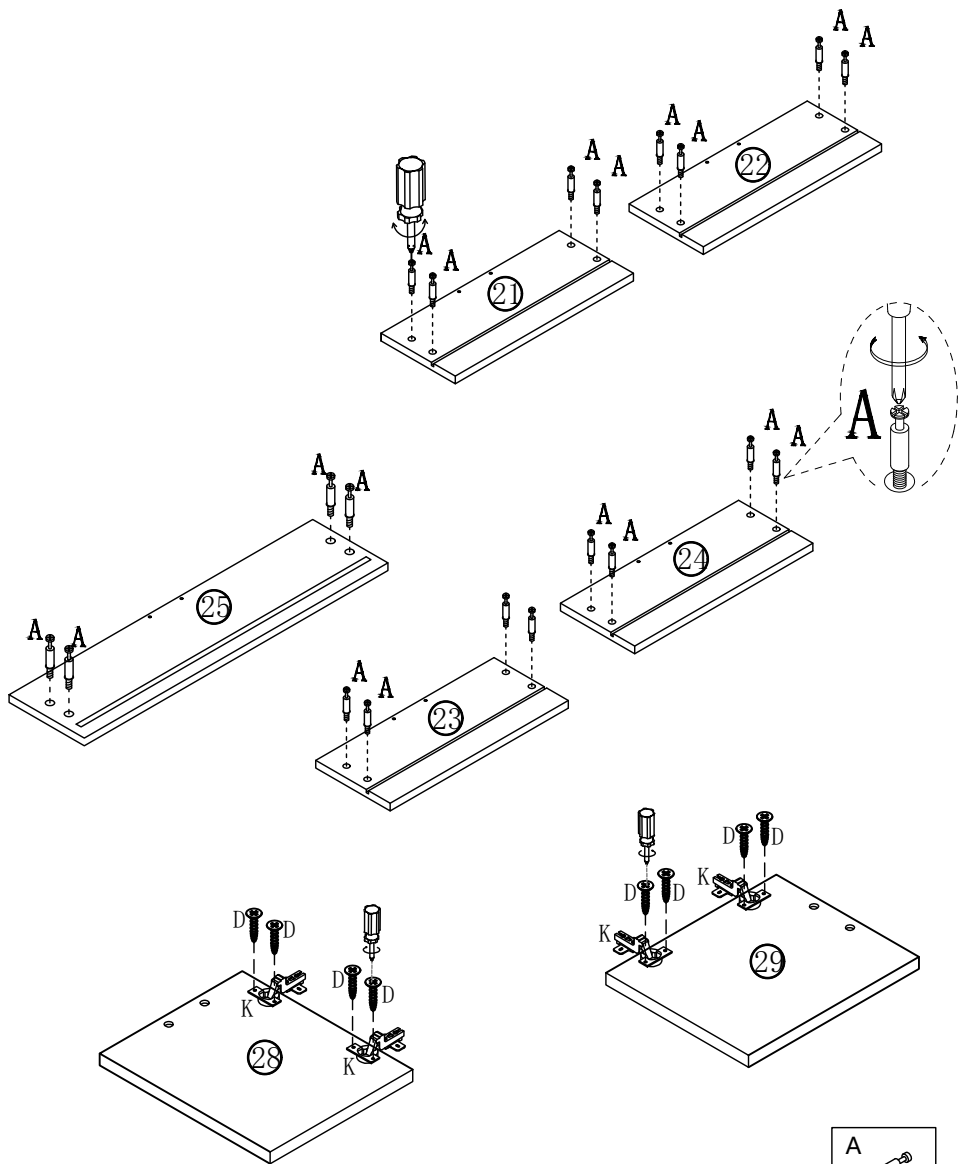


Guidelines for the use of 3-in-1 connecting rods:

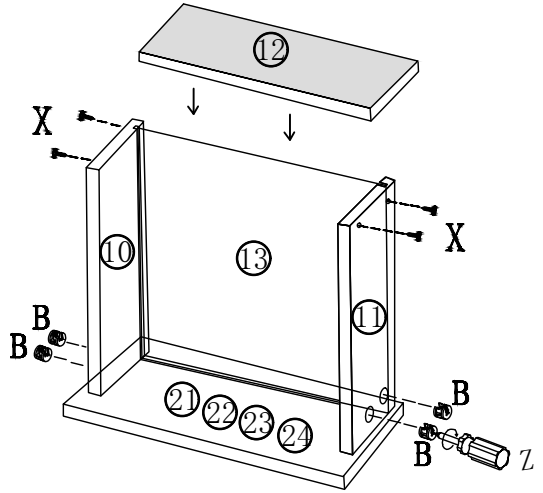
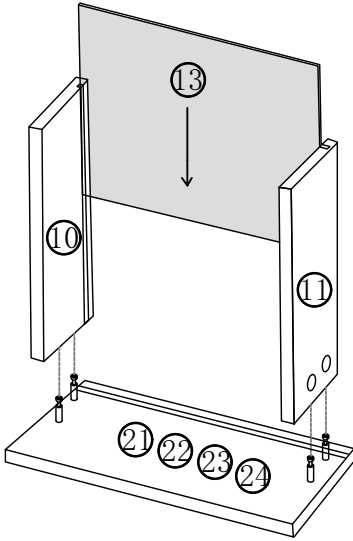
The blue screw cap at the bottom of the 3-in-1 connecting rod is twist-able, and it can be twisted clockwise or counterclockwise to fit the size of the reserved holes in the wooden board.

When you use this 3-in-1 connecting rod, if you find that it can't be inserted into the reserved holes on the wooden board, just loosen the blue screw cap a bit until it fits into the holes of the board. Then use a screwdriver to tighten the screws. Note: If the bottom blue screw cap is not stretched apart by the three-in-one connecting rod in the reserved hole, the connected part will appear unstable .

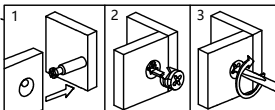
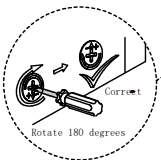
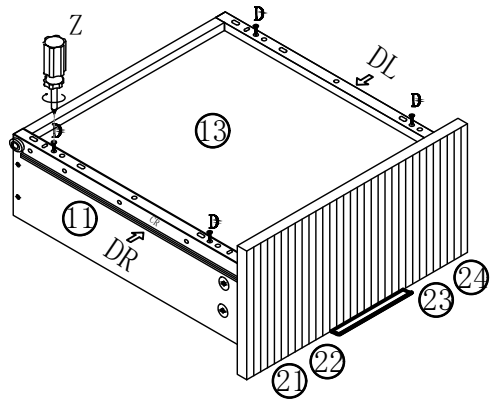
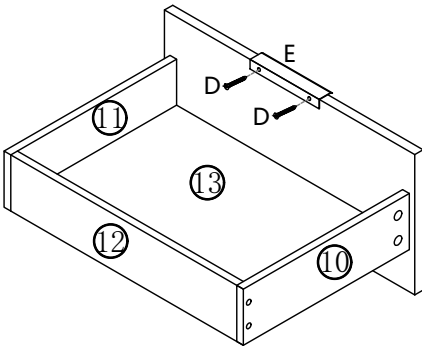
# STEP 1



# STEP 2



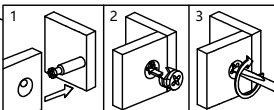
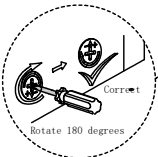
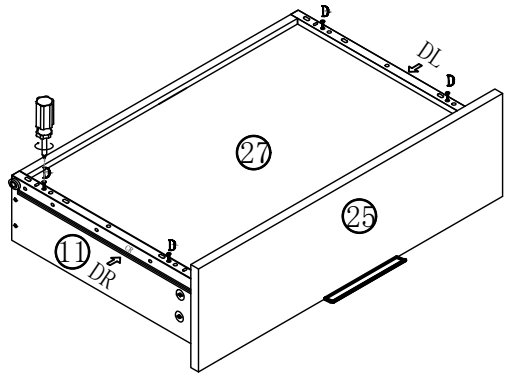
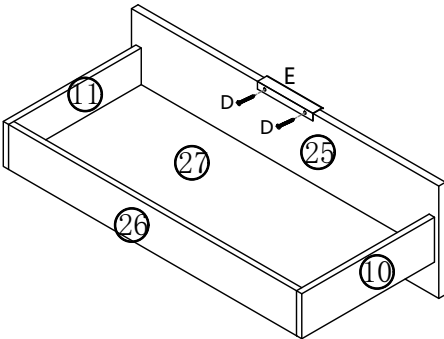
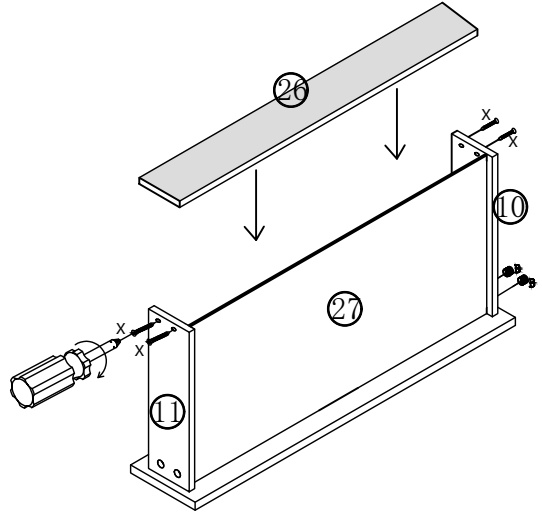
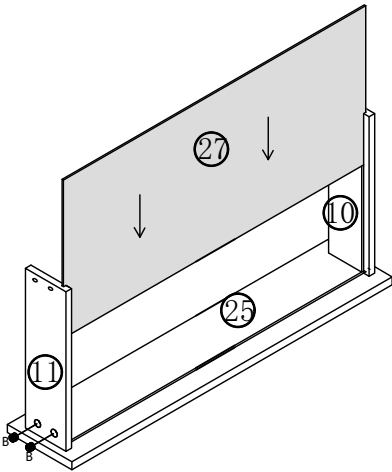
X4



6

E x4	B x16	X x16
DRx4	DLx4	D x24

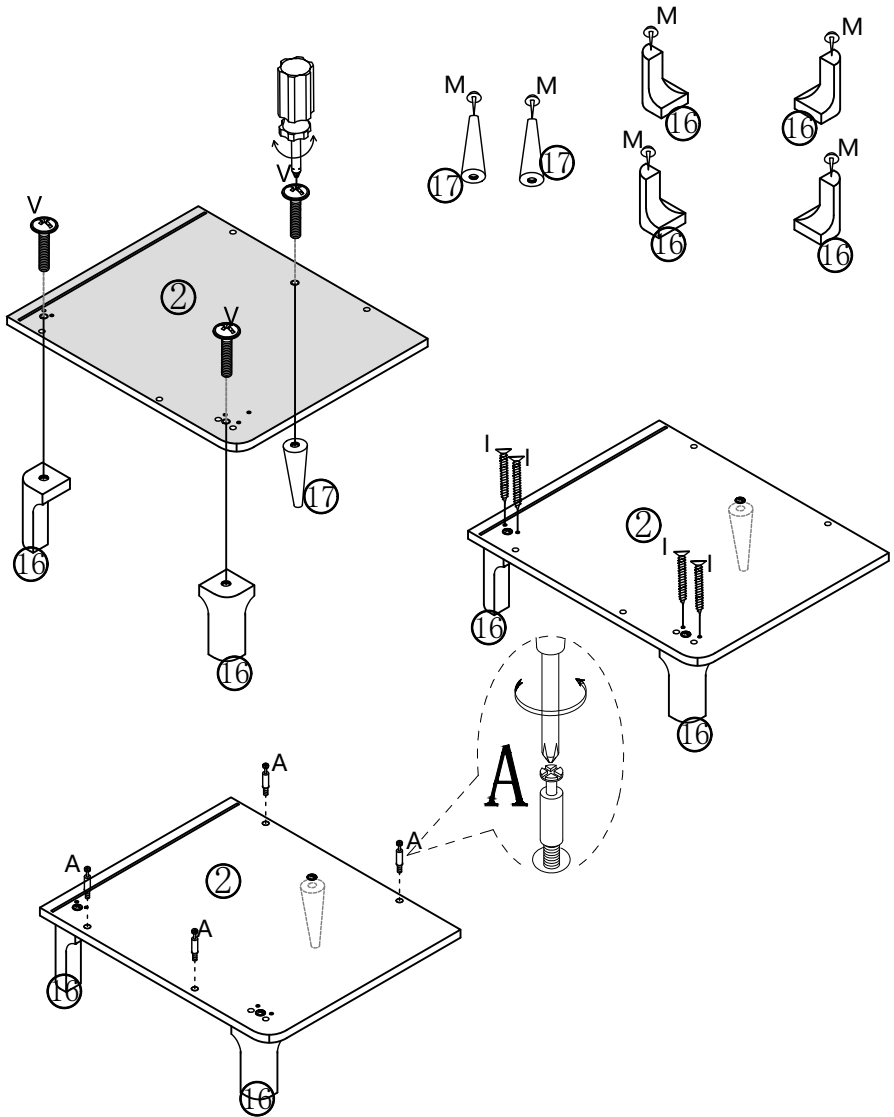
# STEP 3


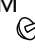




7

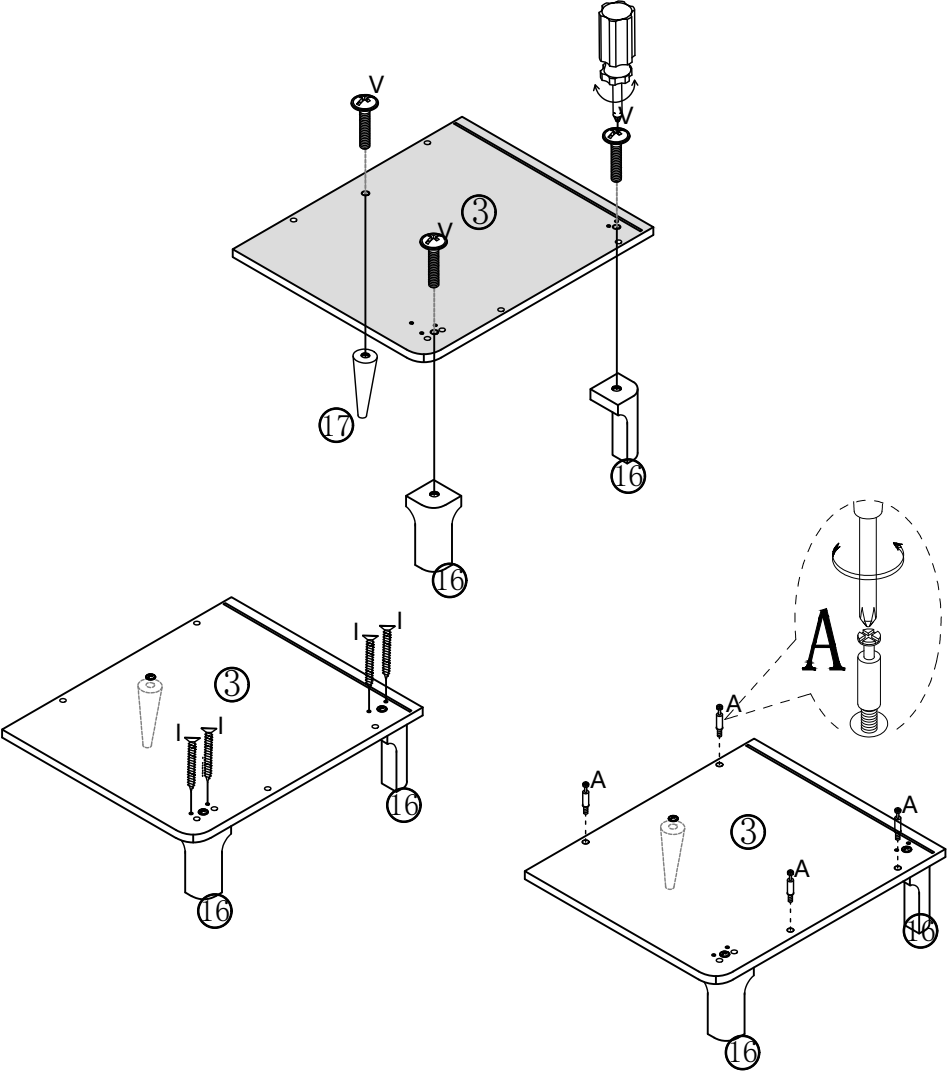
E x1	B x4	X x4
DRx1	DLx1	D x6

# STEP 4



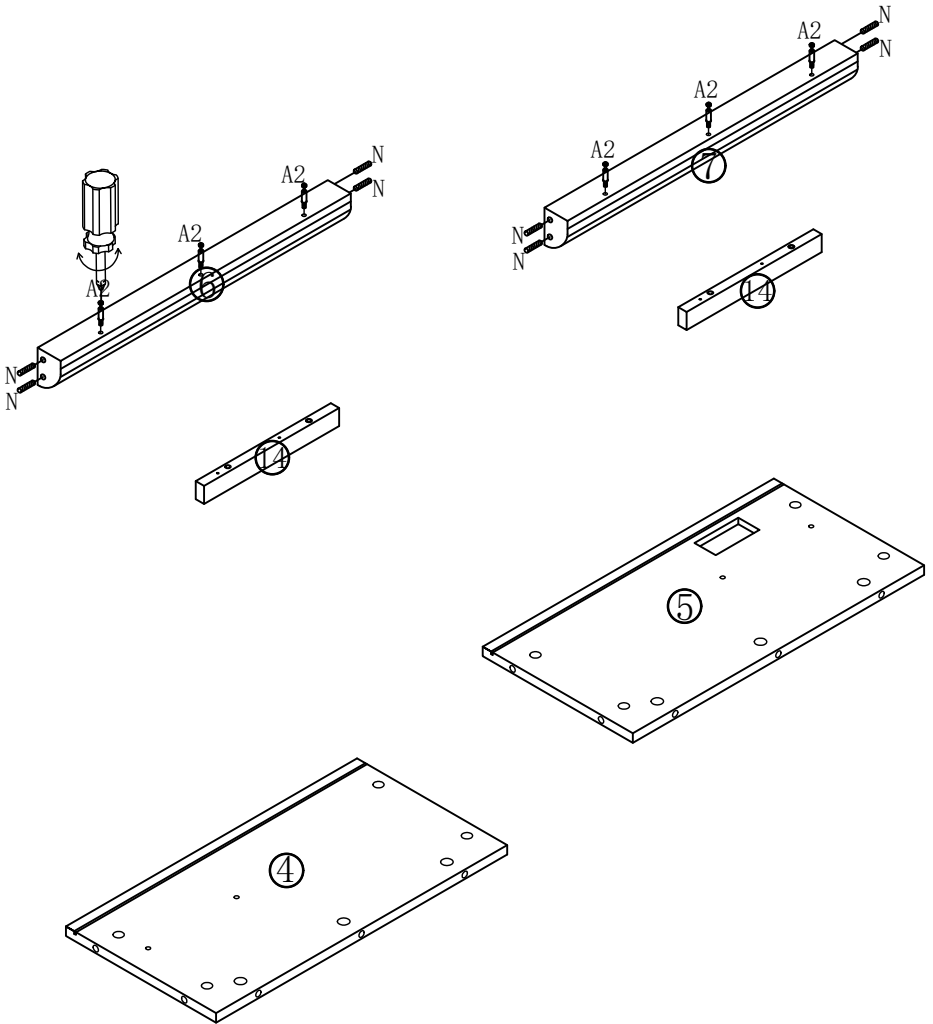
<p><b>A</b></p>  <p>x4</p>	<p><b>M</b></p>  <p>x6</p>
<p><b>I</b></p>  <p>x4</p>	<p><b>V</b></p>  <p>x3</p>



# STEP 5



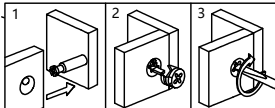
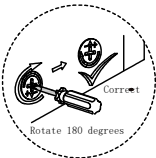
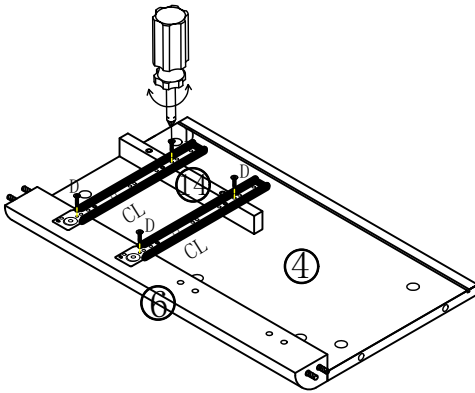
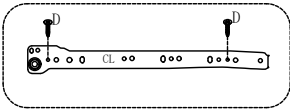
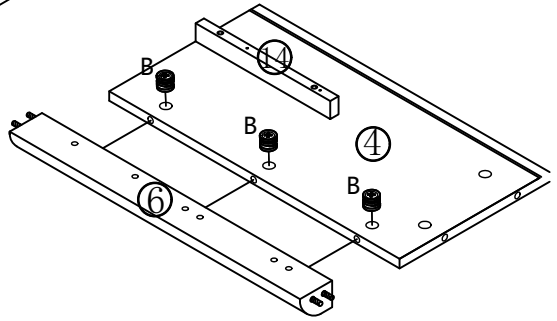
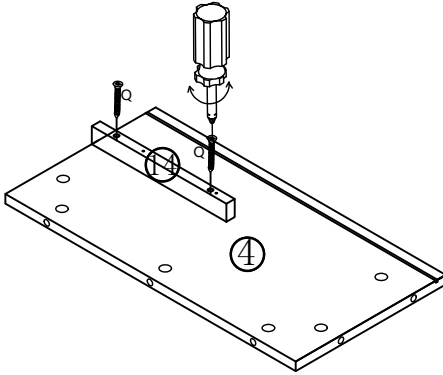
A	x4
I	x4
V	x3





# STEP 6



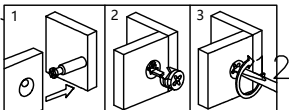
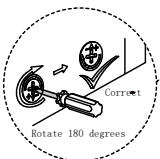
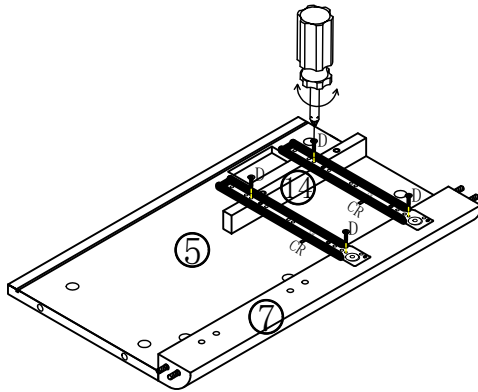
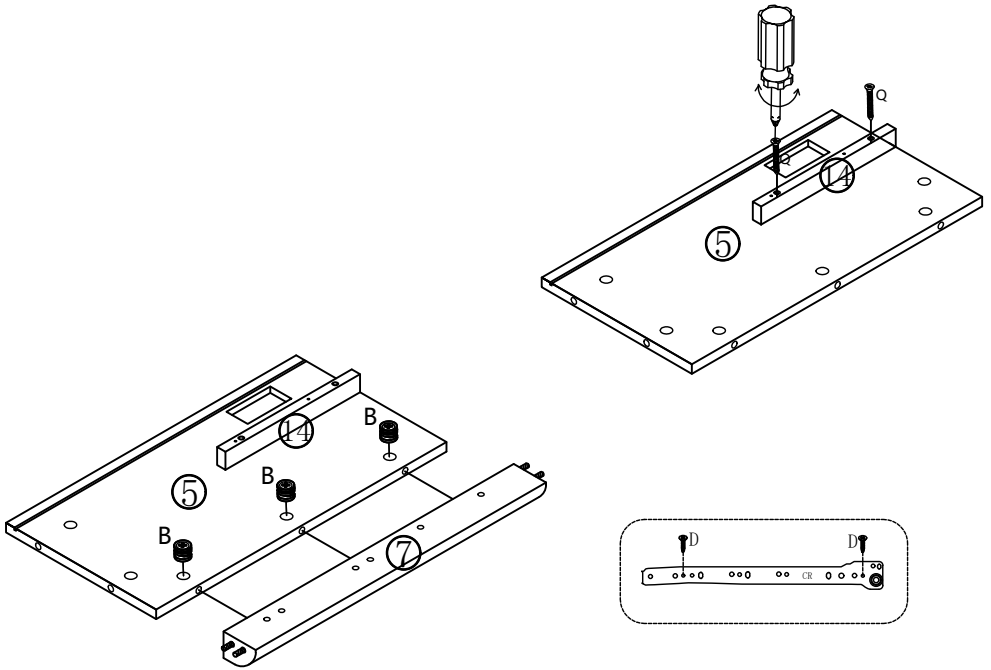
A2		N	
	x6		x8

# STEP 7



B	Q
 x3	 x2
 CL x2	D  x4

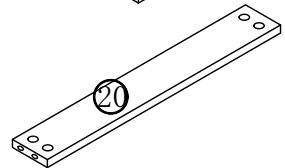
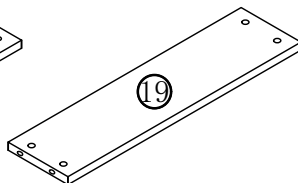
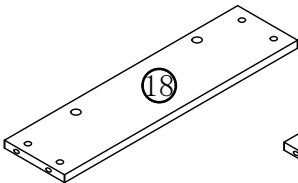
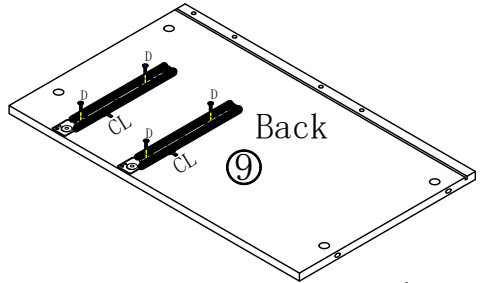
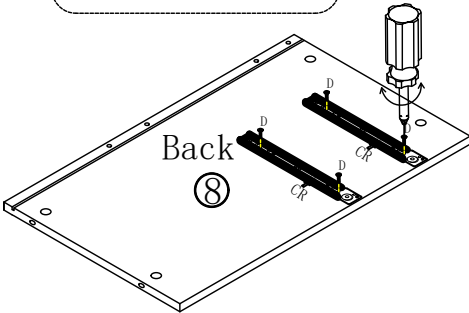
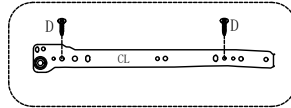
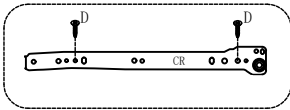
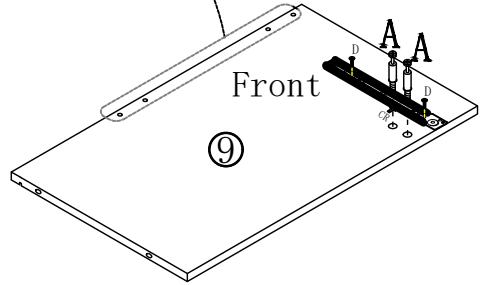
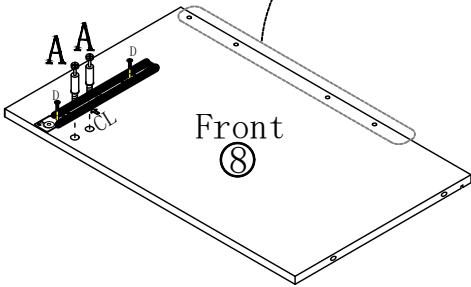
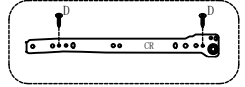
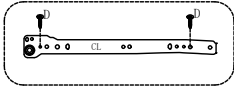
# STEP 8


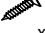




B x3	Q x2
CRx2	D x4

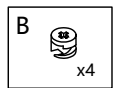
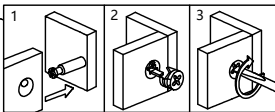
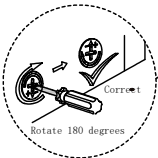
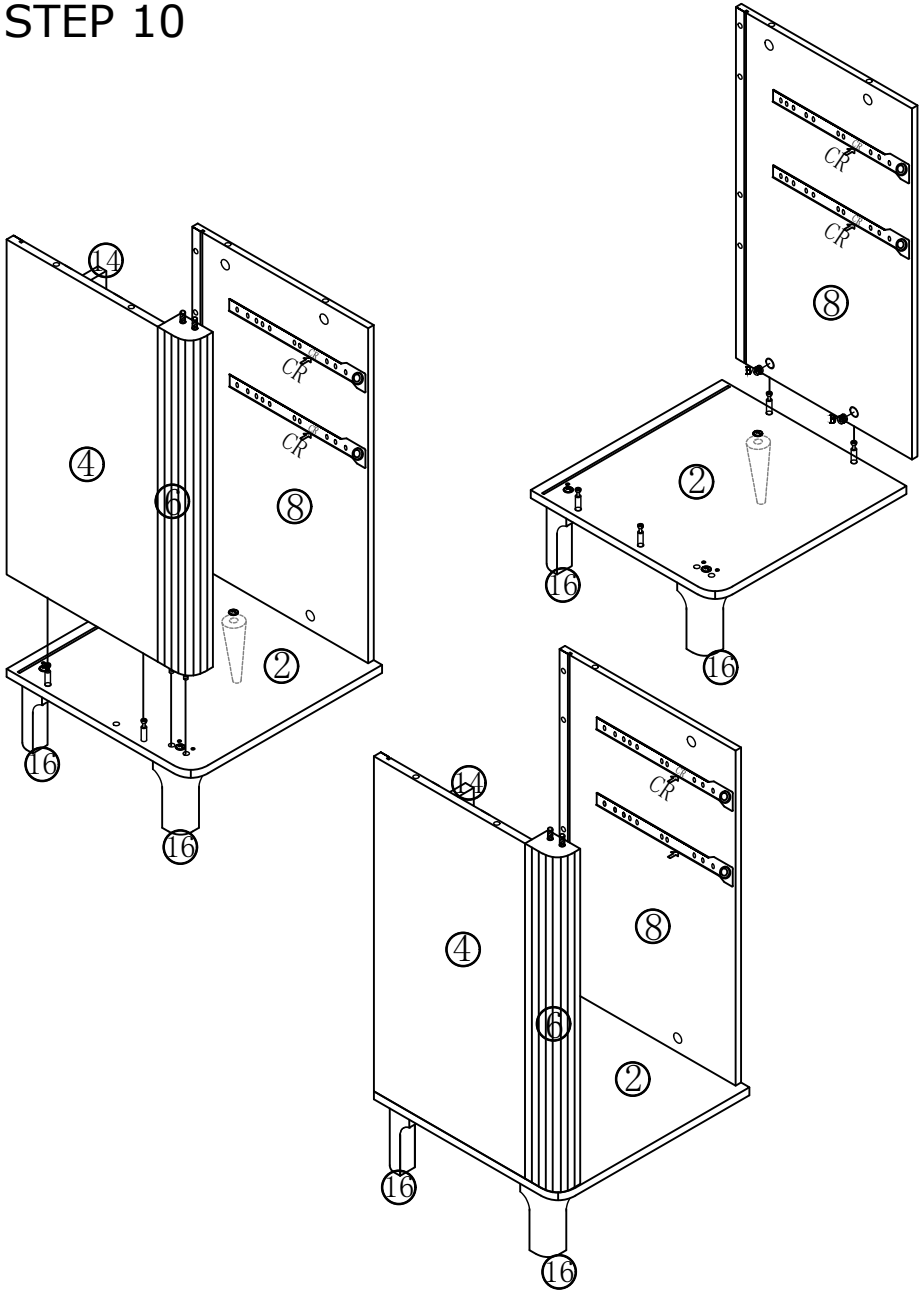
# STEP 9

These 4 pre-drilled holes should be installed with part H and G not part A (check step 12)

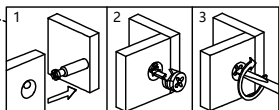
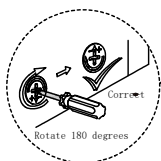
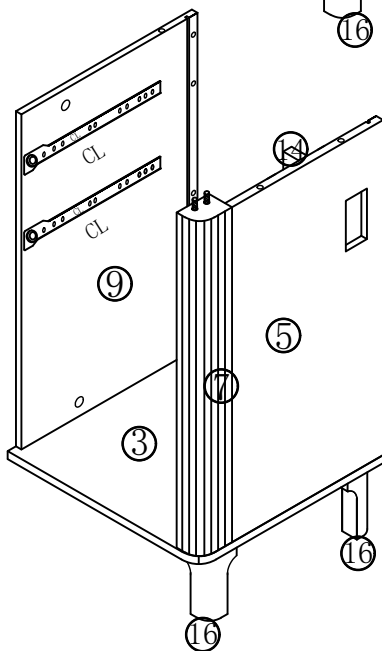
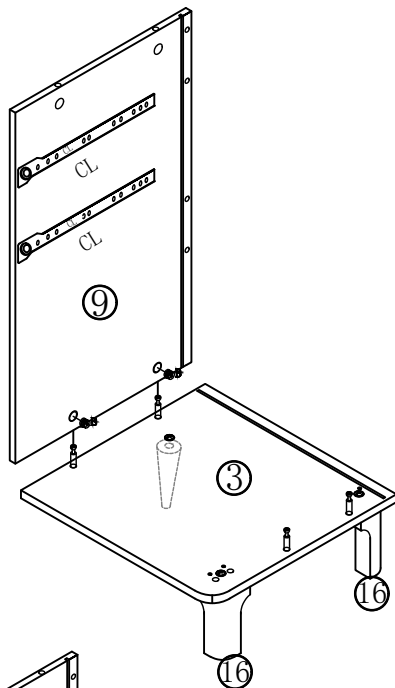
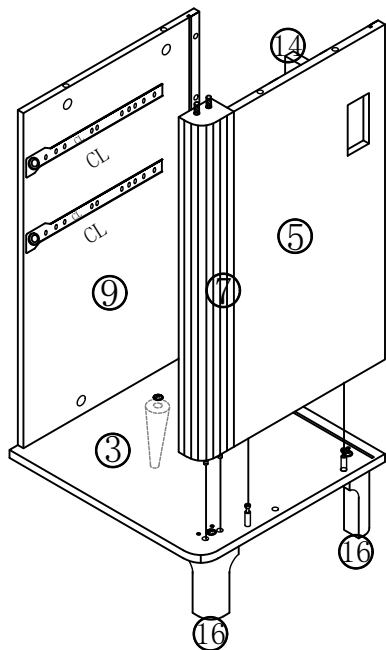


A  x4	D  x12
 CLx3	 CRx3

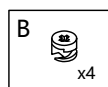
# STEP 10



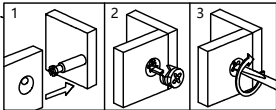
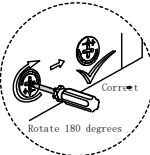
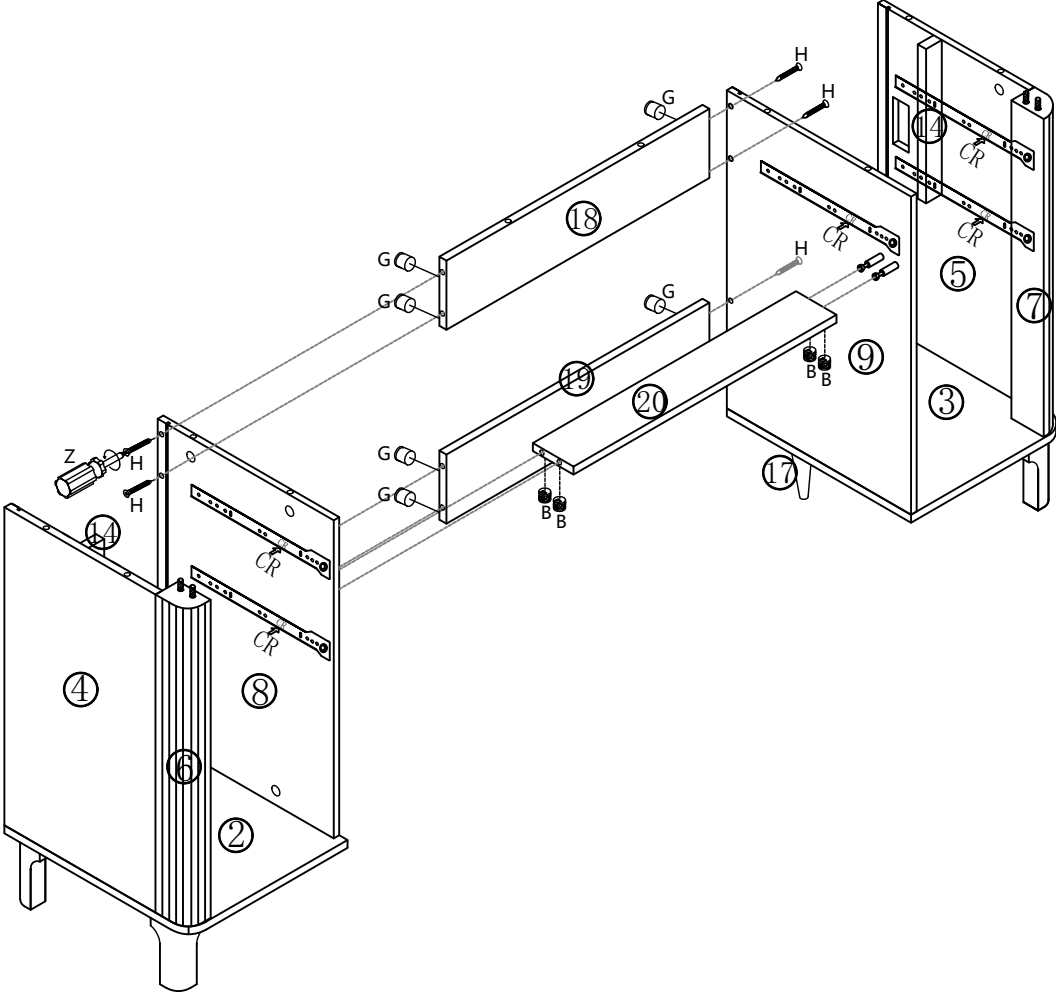
# STEP 11



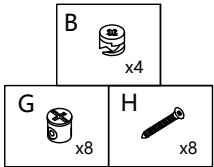
15



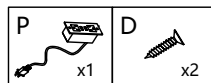
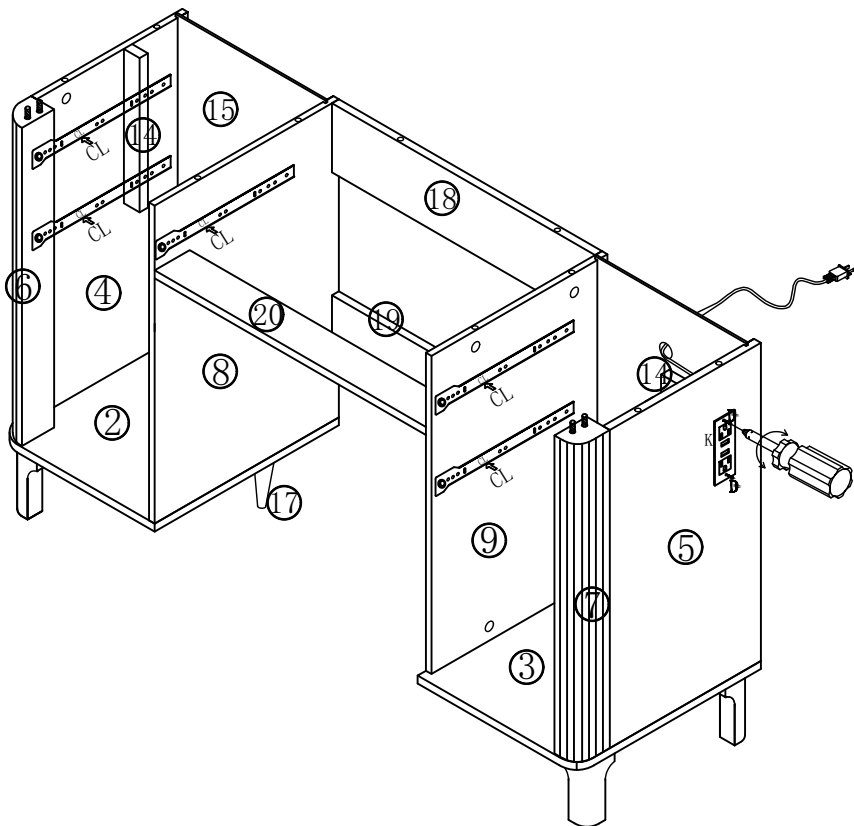
# STEP 12



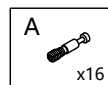
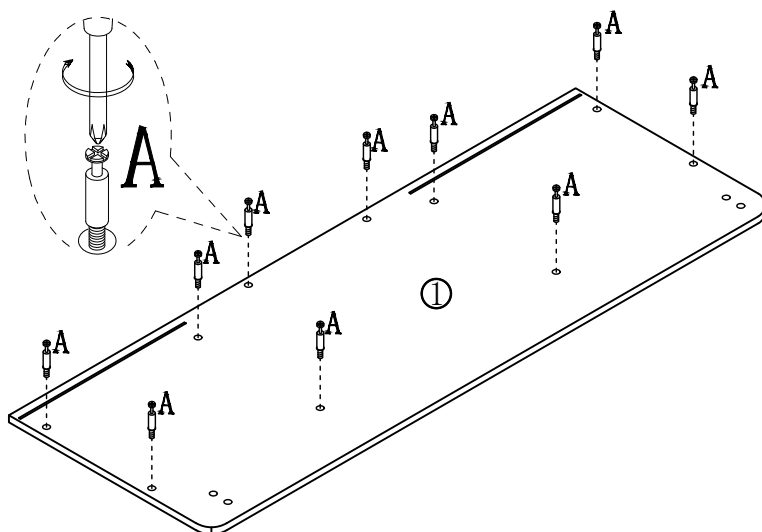
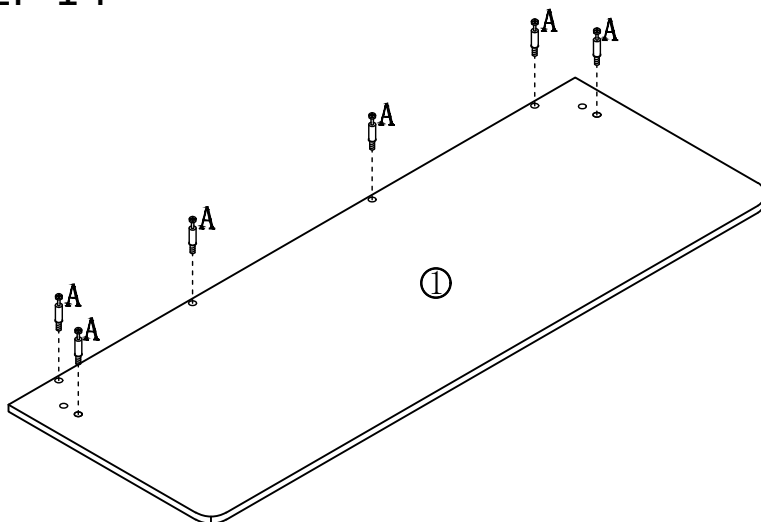
16



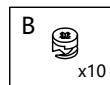
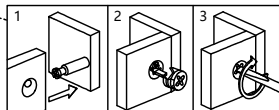
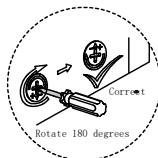
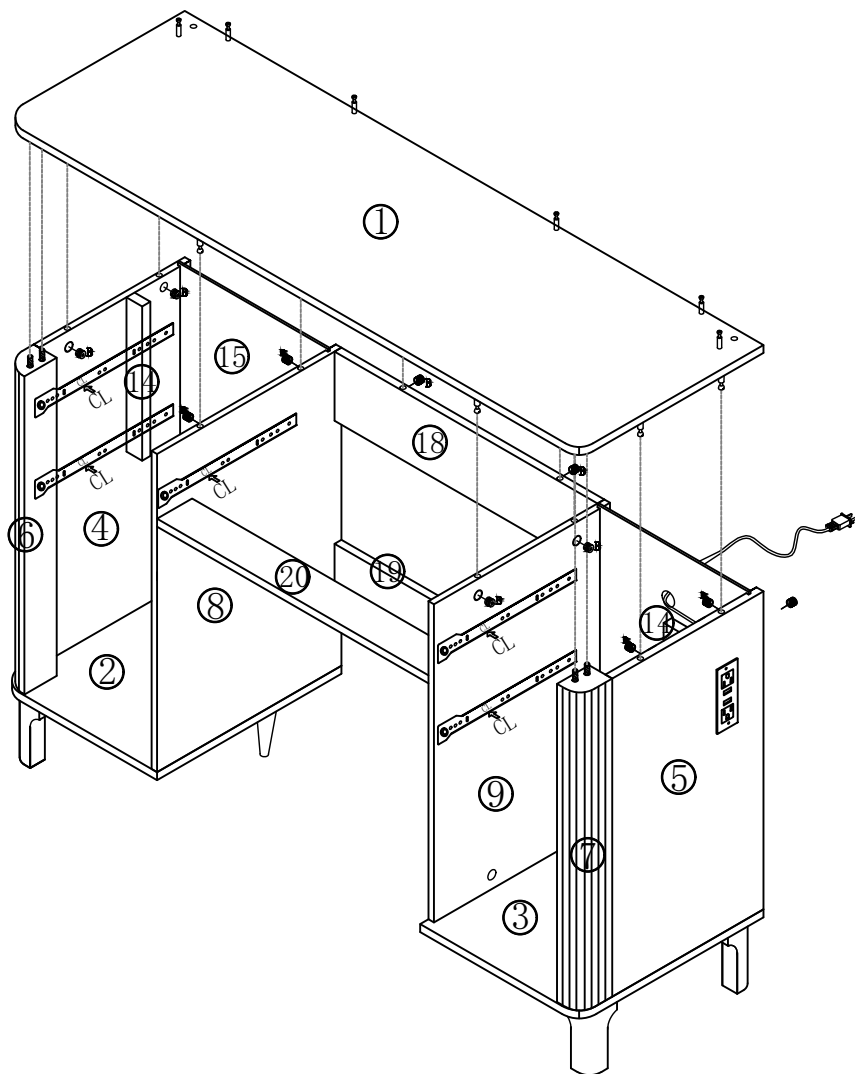
# STEP 13



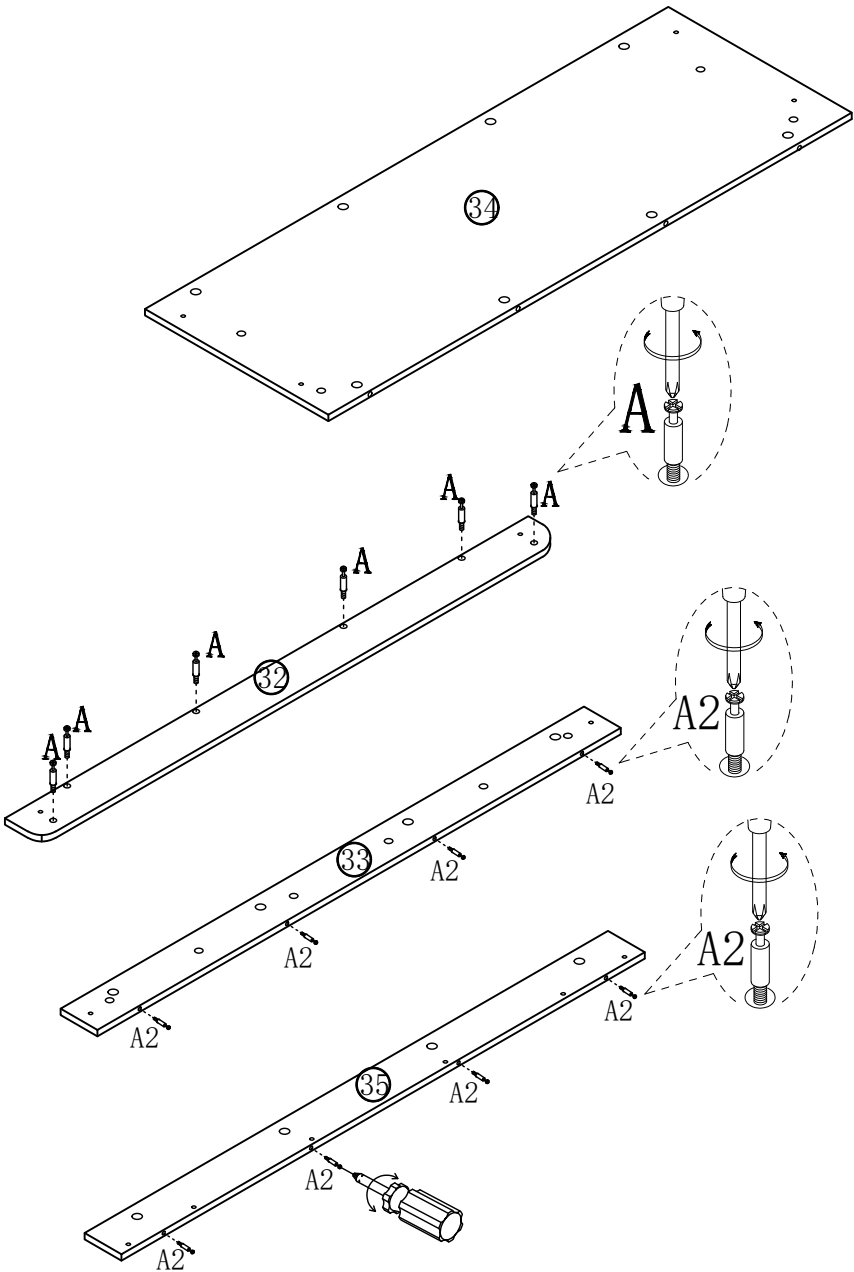
# STEP 14





# STEP 15

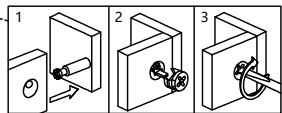
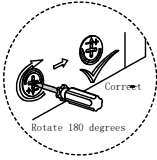
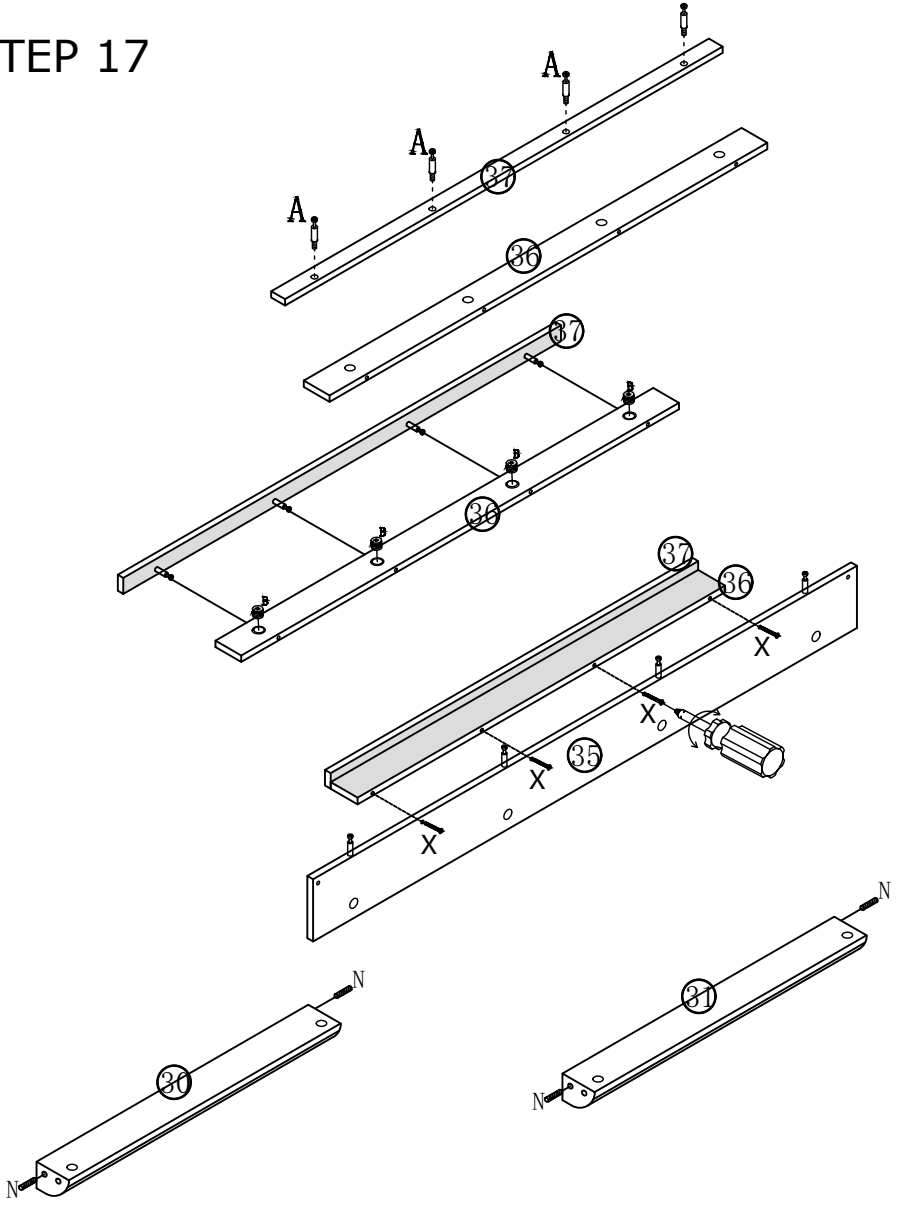






# STEP 16



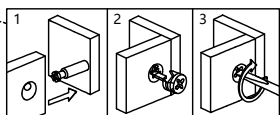
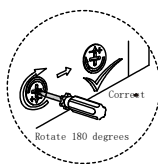
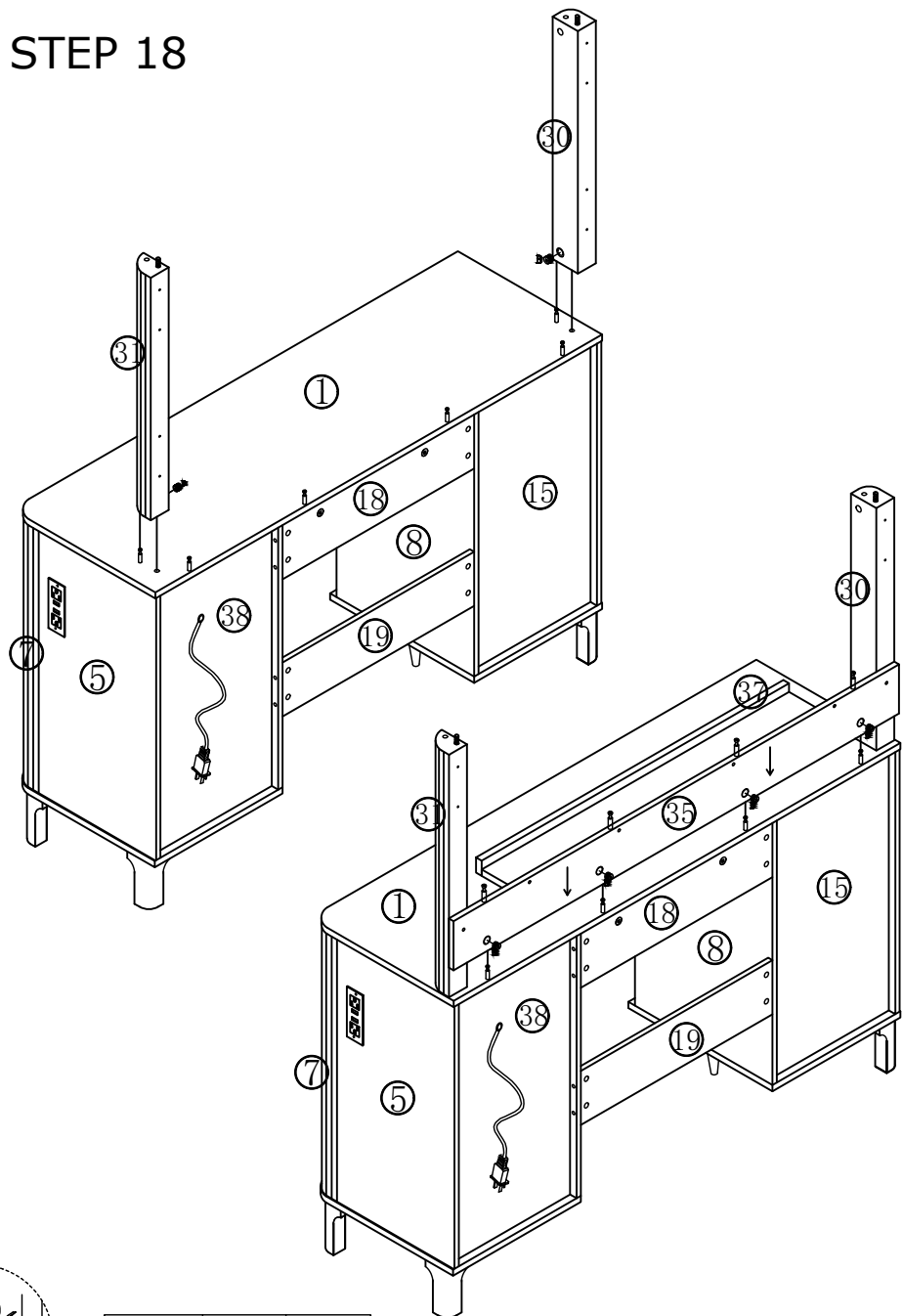
A	A2
	
x6	x8

# STEP 17

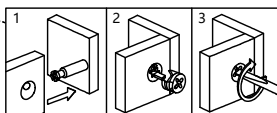
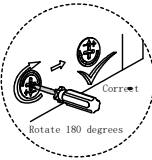
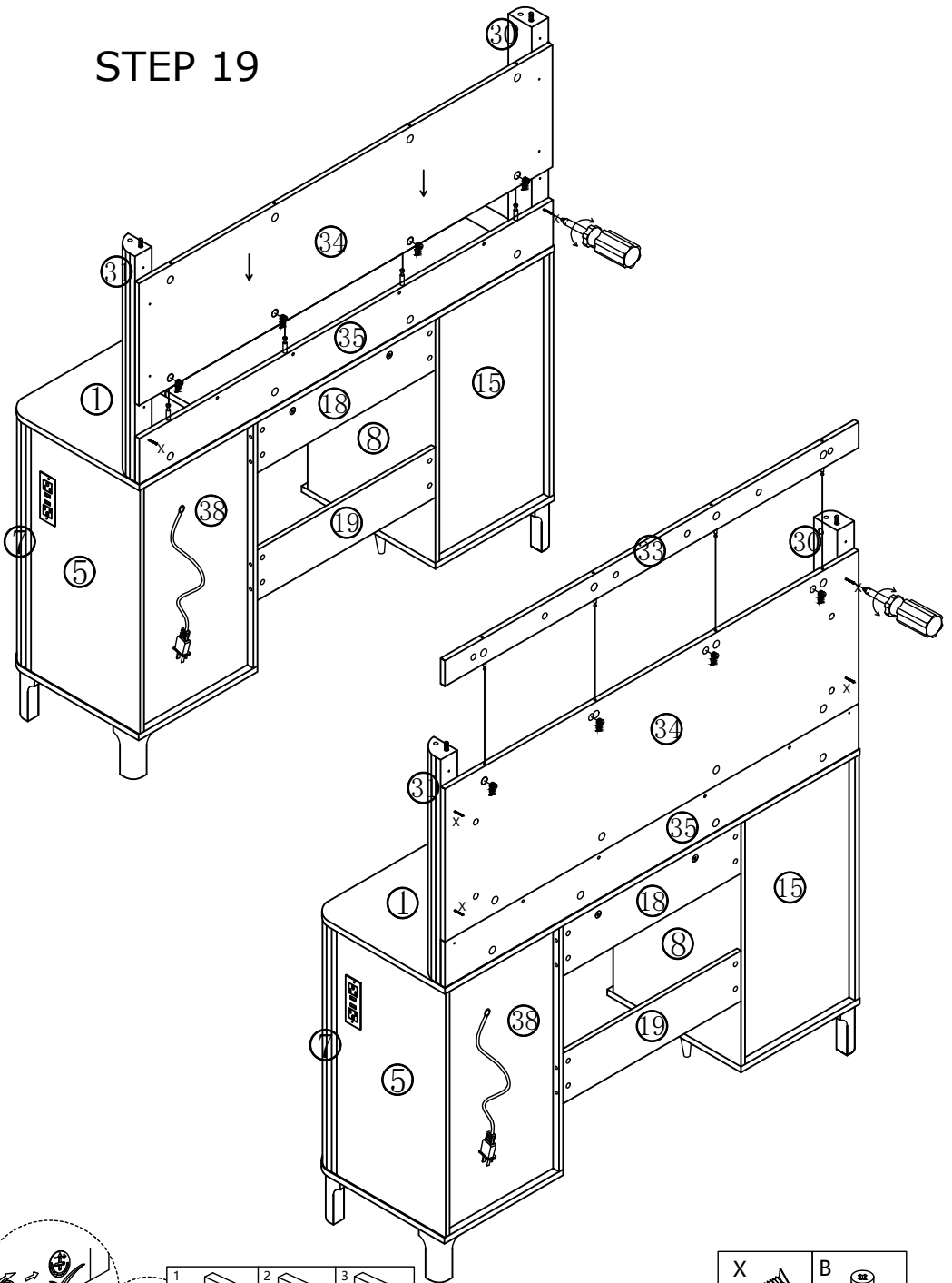




X	B
	
x4	x4
A	N
	
x4	x4

# STEP 18

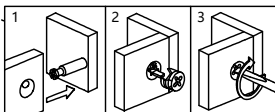
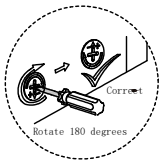
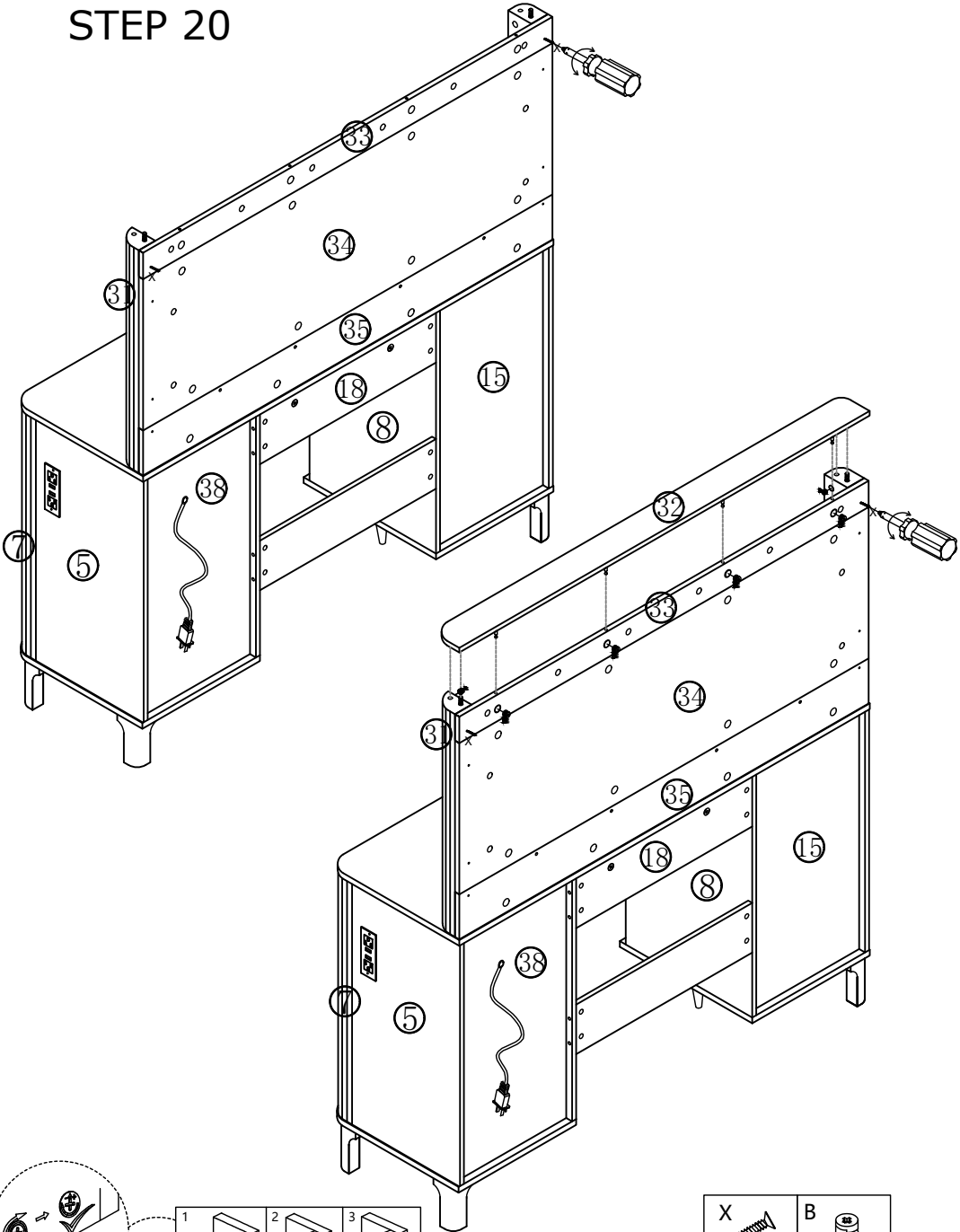




# STEP 19



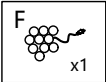
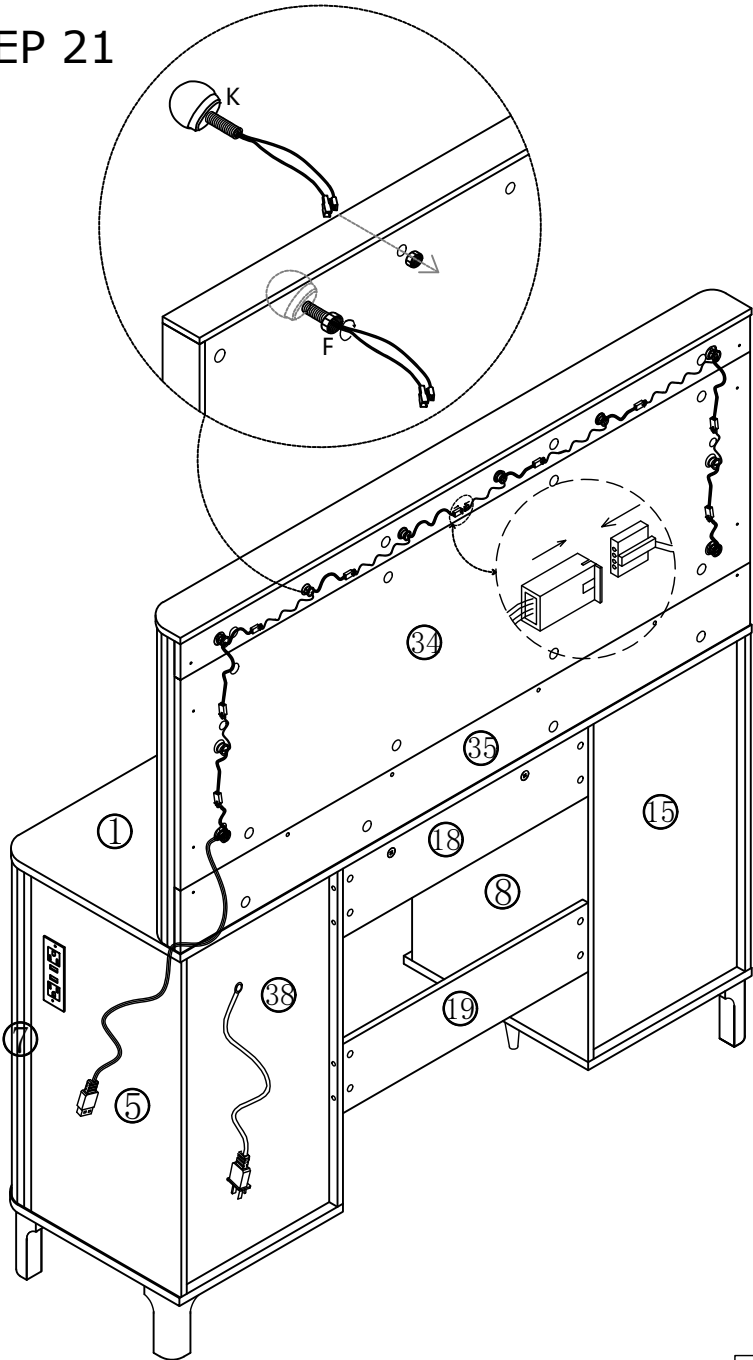
<p>X</p>  <p>x6</p>	<p>B</p>  <p>x8</p>
--	--

# STEP 20

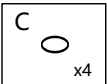
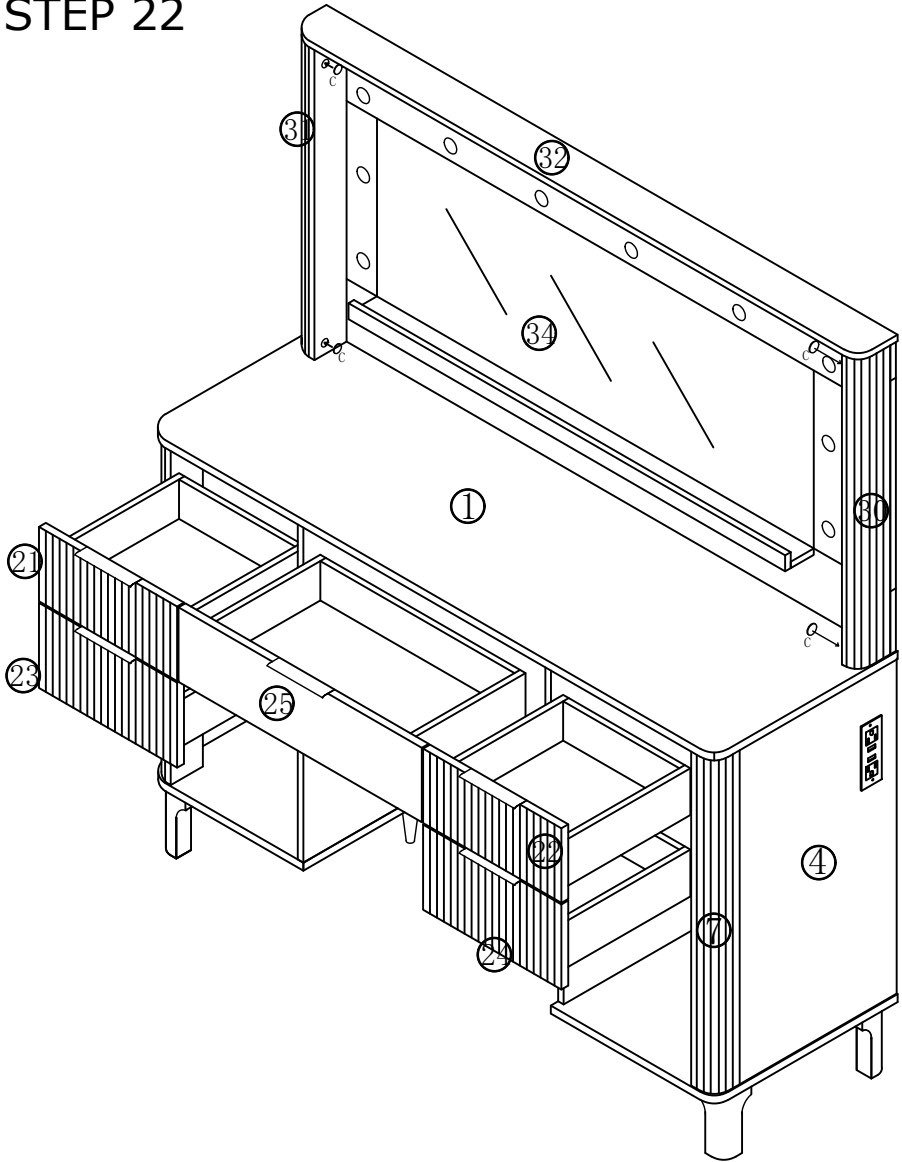


X	B
	
x2	x6

# STEP 21



# STEP 22



# STEP 23

