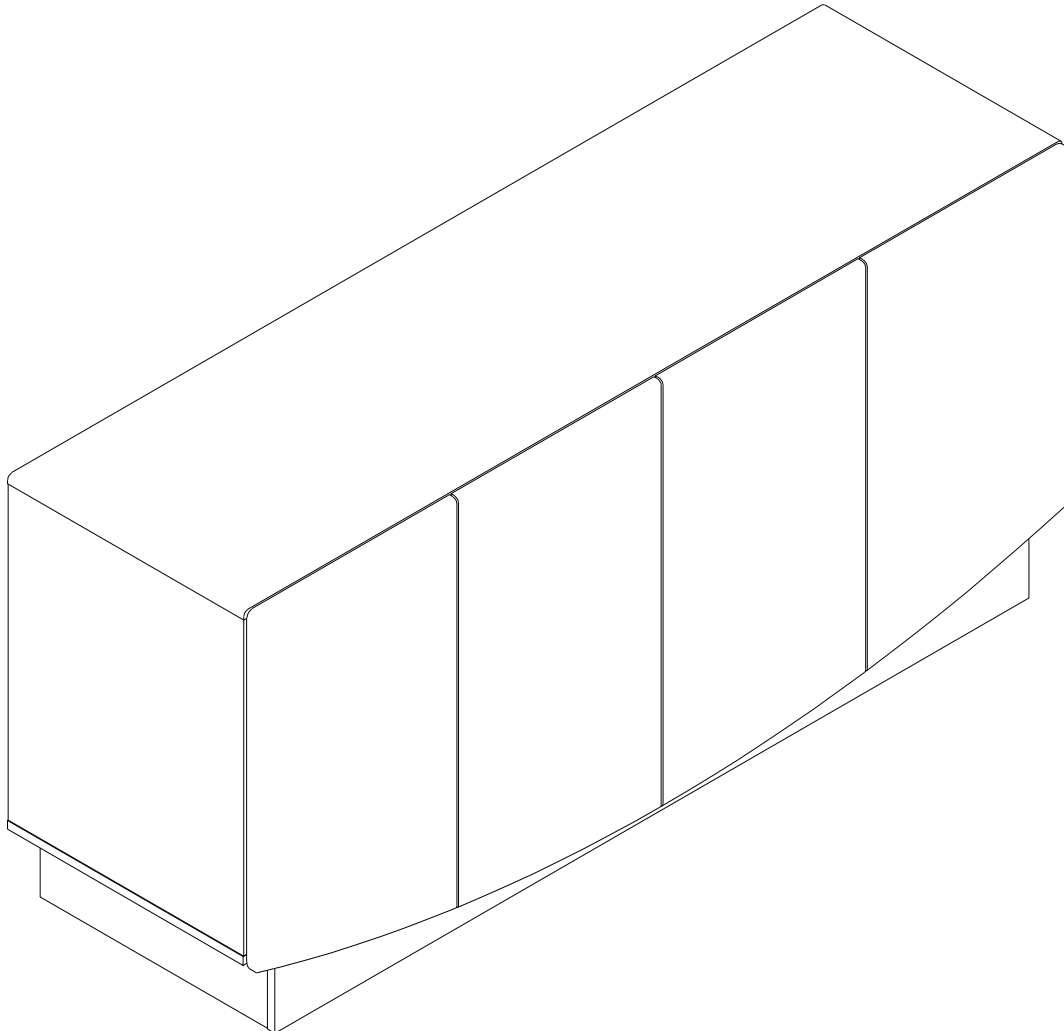
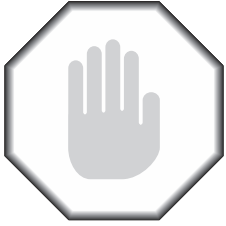




**MANHATTAN
COMFORT**

SB1675



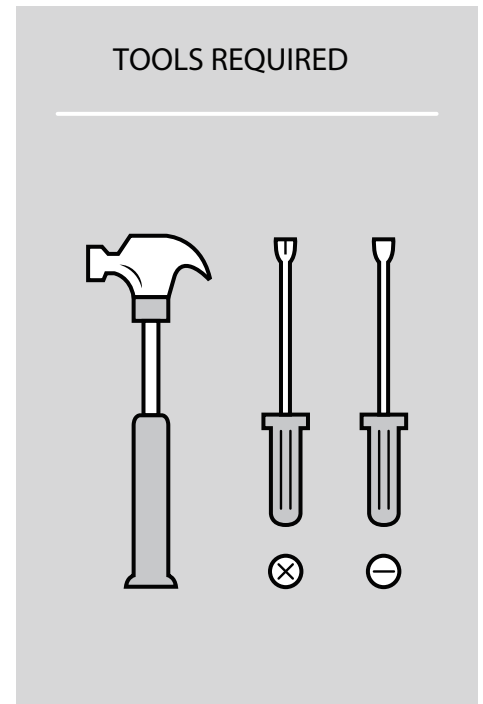
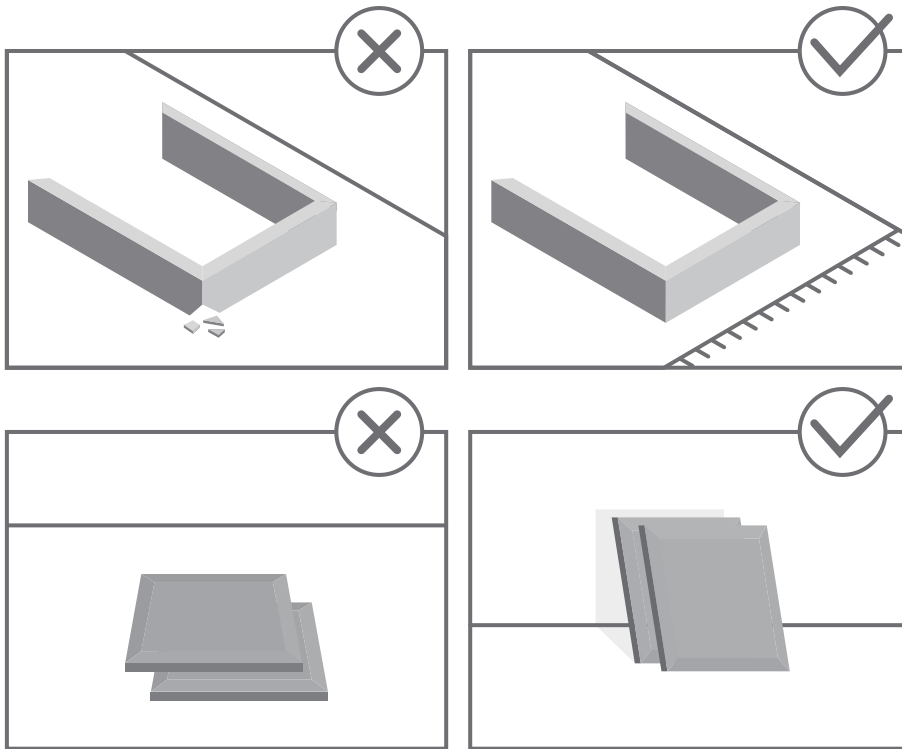


STOP!

Before beginning the assembly process, ensure all boxes and parts have been delivered.

FOR BEST RESULTS:

- Do not throw away packaging materials until assembly is complete.
- Assemble item on a soft surface, such as cardboard or carpet, to protect finish.
- Proper assembly requires two people.



View our assembly video online:
WWW.MANHATTANCOMFORT.COM



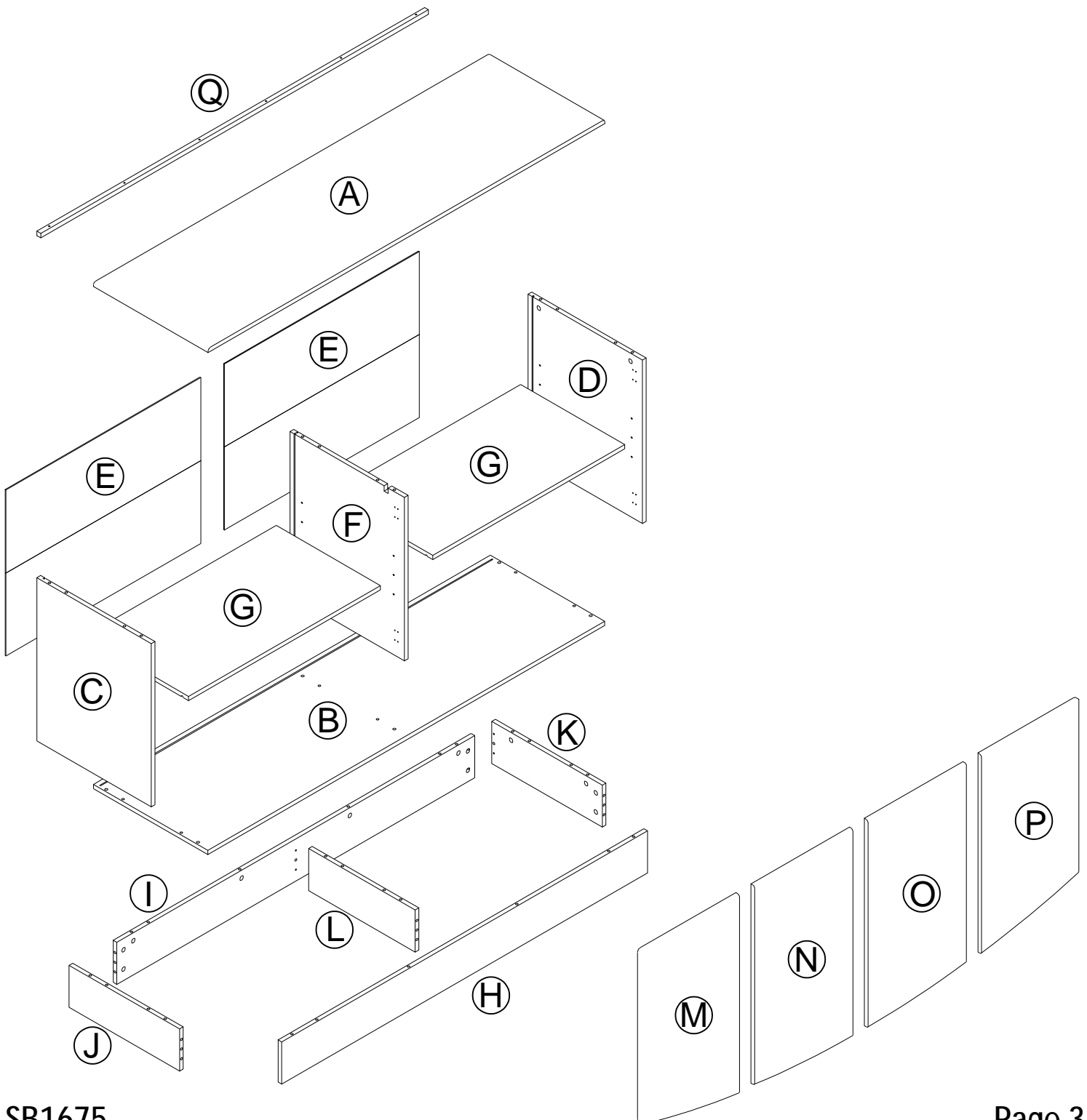
Stuck? Question? We are here to help.
tel: 908-888-0818
e-mail: help@manhattancomfort.com

Support Site



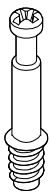
Included in this package:

- A. TOP PANEL(1)
- B. BOTTOM PANEL(1)
- C. LEFT PANEL (1)
- D. RIGHT PANEL (1)
- E. BACK PANEL (2)
- F. BETWEEN PANEL (1)
- G. SHELF PANEL (2)
- H. FRONT FOOTBOARD PANEL (1)
- I. BACK FOOTBOARD PANEL (1)
- J. LEFT FOOTBOARD PANEL (1)
- K. RIGHT FOOTBOARD PANEL (1)
- L. MIDDLE FOOTBOARD PANEL (1)
- M. LEFT DOOR (1)
- N. LEFT MIDDLE DOOR (1)
- O. RIGHT MIDDLE DOOR (1)
- P. RIGHT DOOR (1)
- Q. METAL BAR (1)

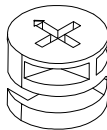


Hardware Identification

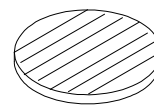
① KD BOLT - 32pcs
L=35mm



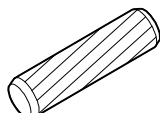
② KD CAM - 32pcs
Ø15*11mm



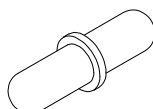
③ COVER CAP - 32pcs



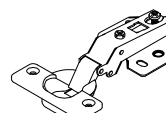
④ WOOD DOWEL - 28pcs
Ø8*30mm



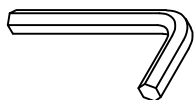
⑤ SHELF SUPPORT - 8pcs



⑥ HINGE - 4pcs



⑦ LOCK - 1pc



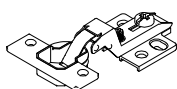
⑧ SCREW - 6pcs
Ø6*50mm



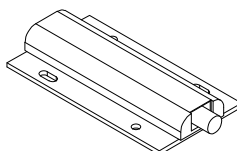
⑨ SCREW - 48pcs
Ø3.5*14mm



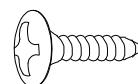
⑩ HINGE - 4pcs



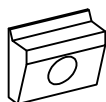
⑪ TIP-ON - 4pcs



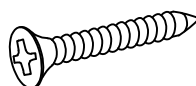
⑫ SCREW - 16pcs
Ø3.5*12mm



⑬ PLASTIC WEDGE - 20pcs



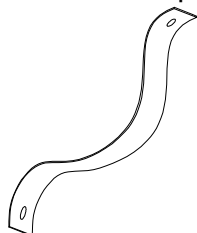
⑭ SCREW - 20pcs
Ø3*17mm



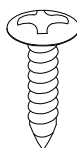
⑮ SCREW - 4pcs



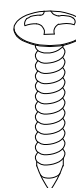
⑯ STRAPS - 2pcs



⑰ SCREW - 2pcs
Ø4*18mm



⑱ SCREW - 2pcs
Ø4*25mm

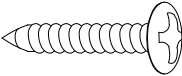


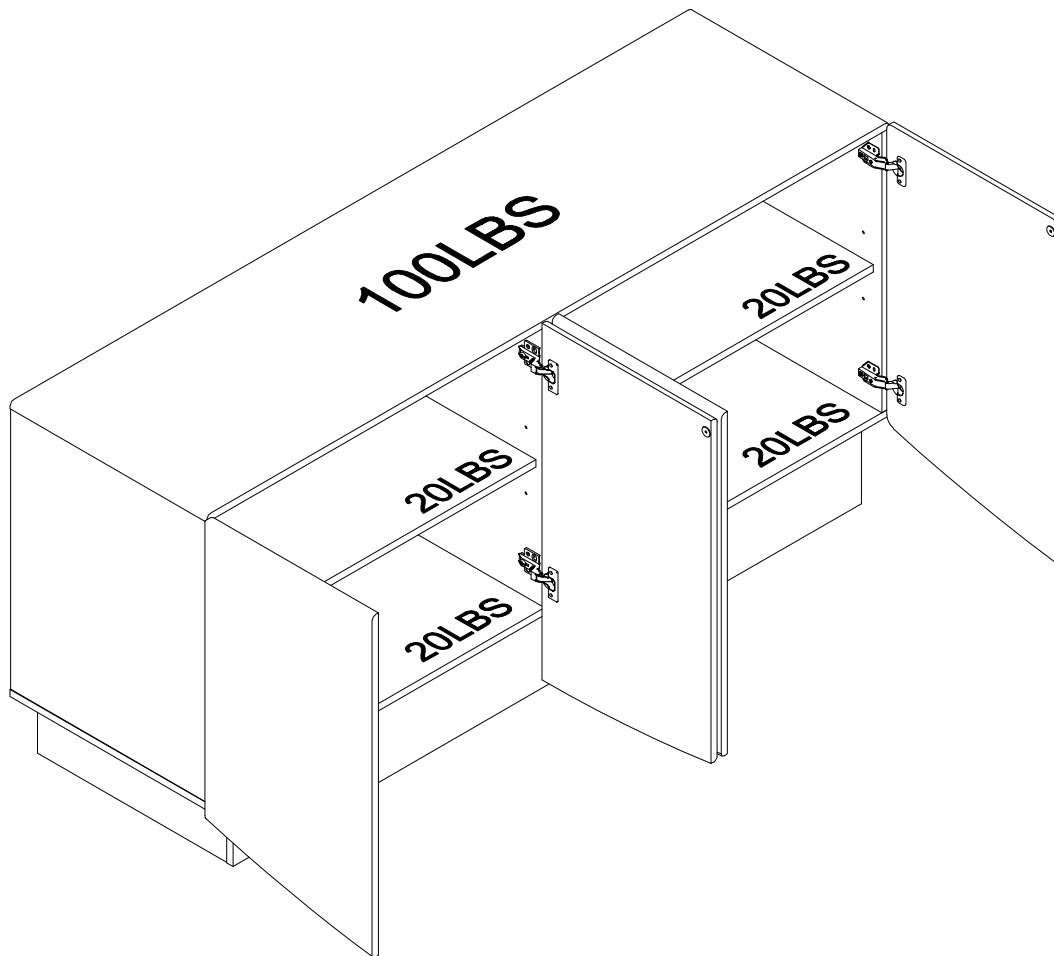
Hardware Identification

①9 PLASTIC - 2pcs



②0 SCREW - 6pcs
Ø4*25mm





Step 1:

* Insert Six KD BOLT (1) to the TOP PANEL (A).

* Assemble the TIP-ON(11) to the TOP PANEL (A) with the SCREW (12) .

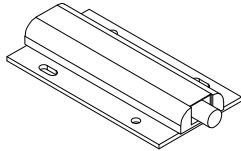
* Assemble the METAL BAR(Q) to the TOP PANEL (A) with the SCREW (20) .

①



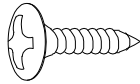
(6 PCS)

⑪



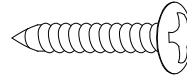
(4 PCS)

⑫

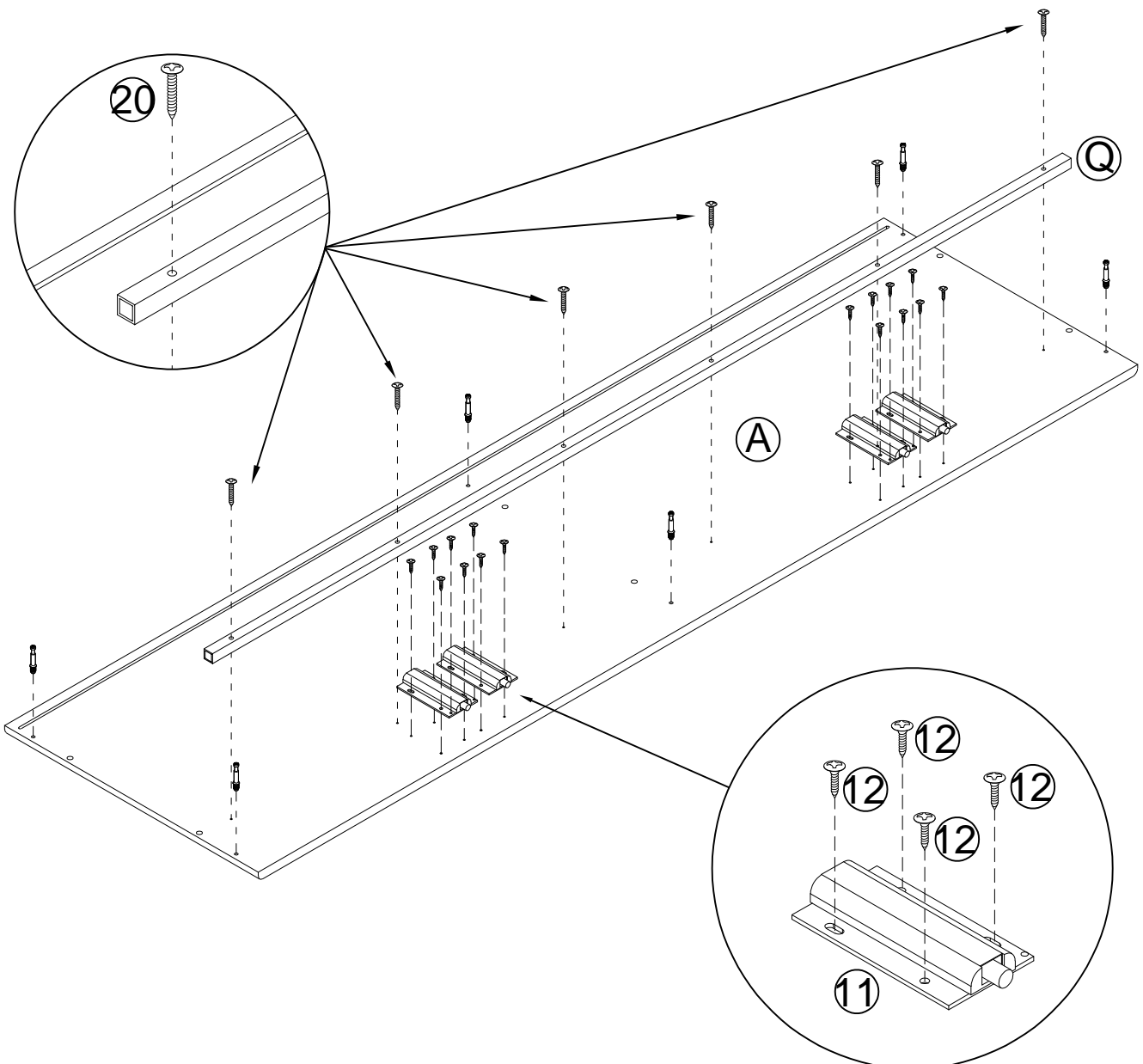


(16 PCS)

⑳

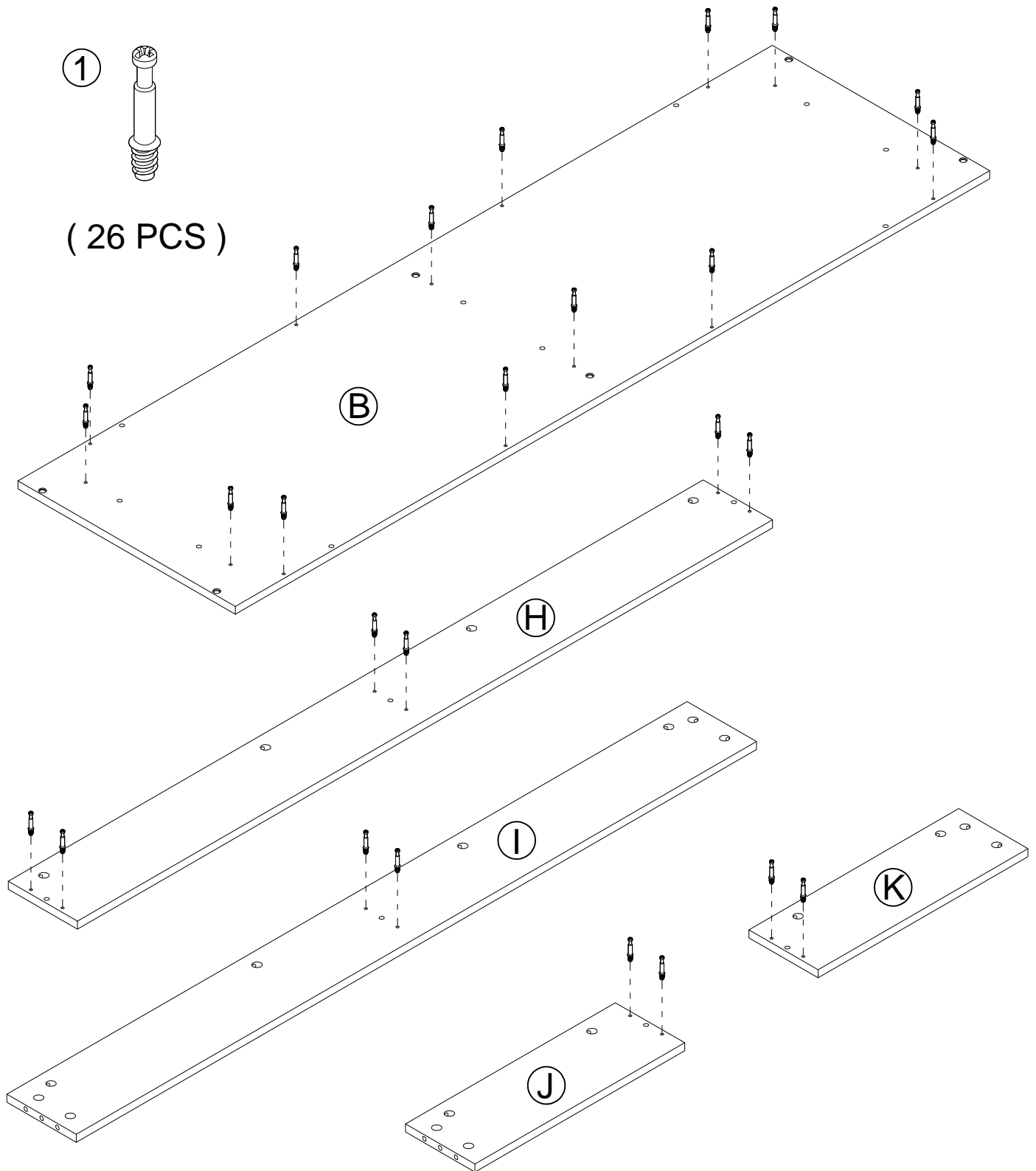


(6 PCS)



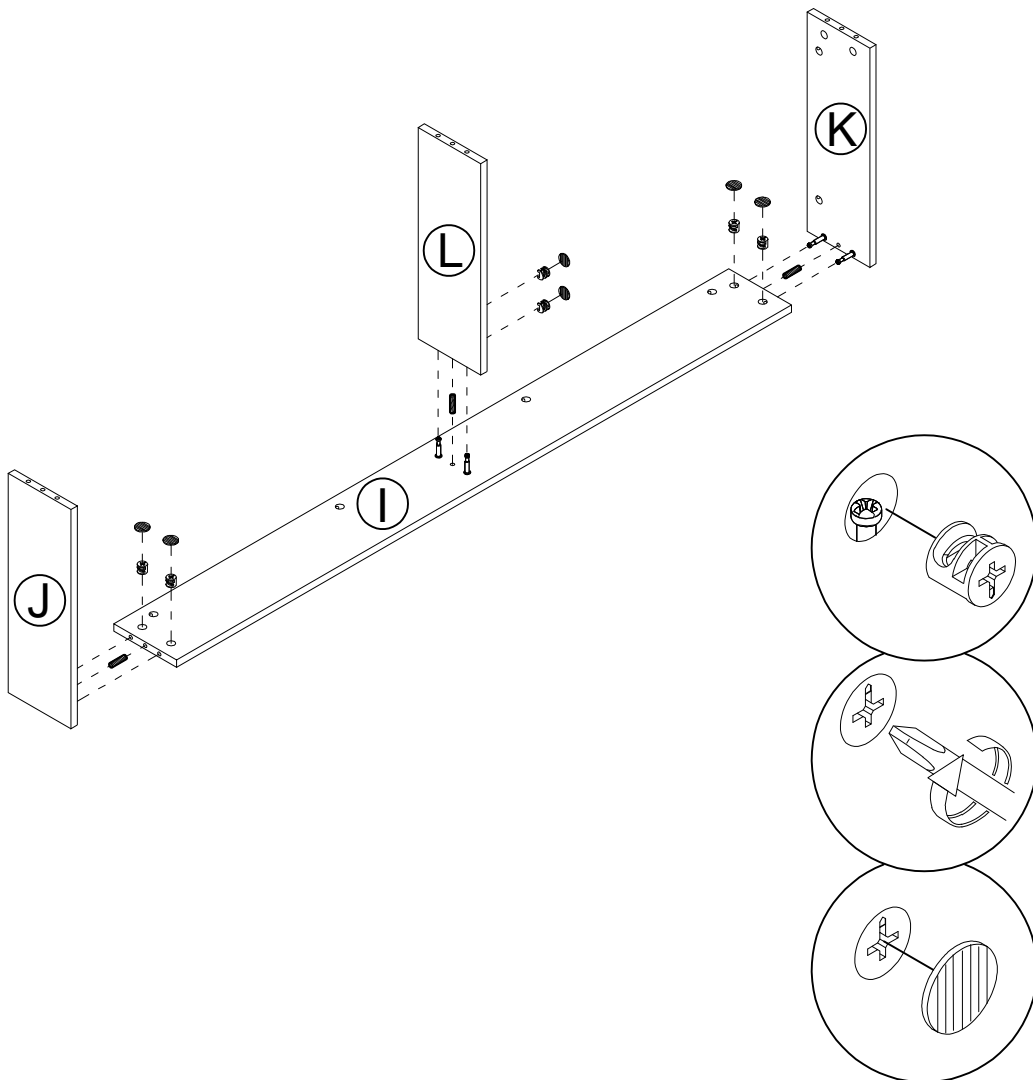
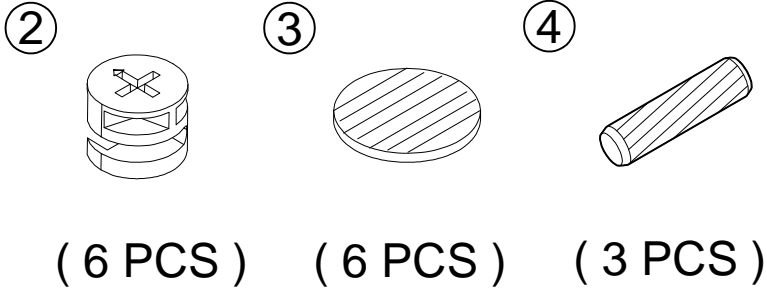
Step 2:

* Insert Twenty-Six KD BOLT (1) to the BOTTOM PANEL(B), FRONT FOOTBOARD PANEL (H), BACK FOOTBOARD PANEL (I), LEFT FOOTBOARD PANEL (J), RIGHT FOOTBOARD PANEL (K).



Step 4:

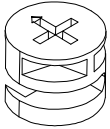
* Attach the LEFT FOOTBOARD PANEL (J), MIDDLE FOOTBOARD PANEL (L) and RIGHT FOOTBOARD PANEL (K) to the BACK FOOTBOARD PANEL (I) by the Six KD LARGE CAM (2) , Six COVER CAP (3) and Three WOOD DOWEL (4)



Step 5:

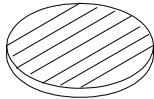
* Attach the LEFT FOOTBOARD PANEL (J), MIDDLE FOOTBOARD PANEL (L) and RIGHT FOOTBOARD PANEL (K) to the FRONT FOOTBOARD PANEL (H) by the Six KD LARGE CAM (2) , Six COVER CAP (3) and Three WOOD DOWEL (4) .

②



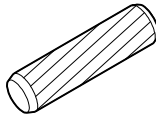
(6 PCS)

③

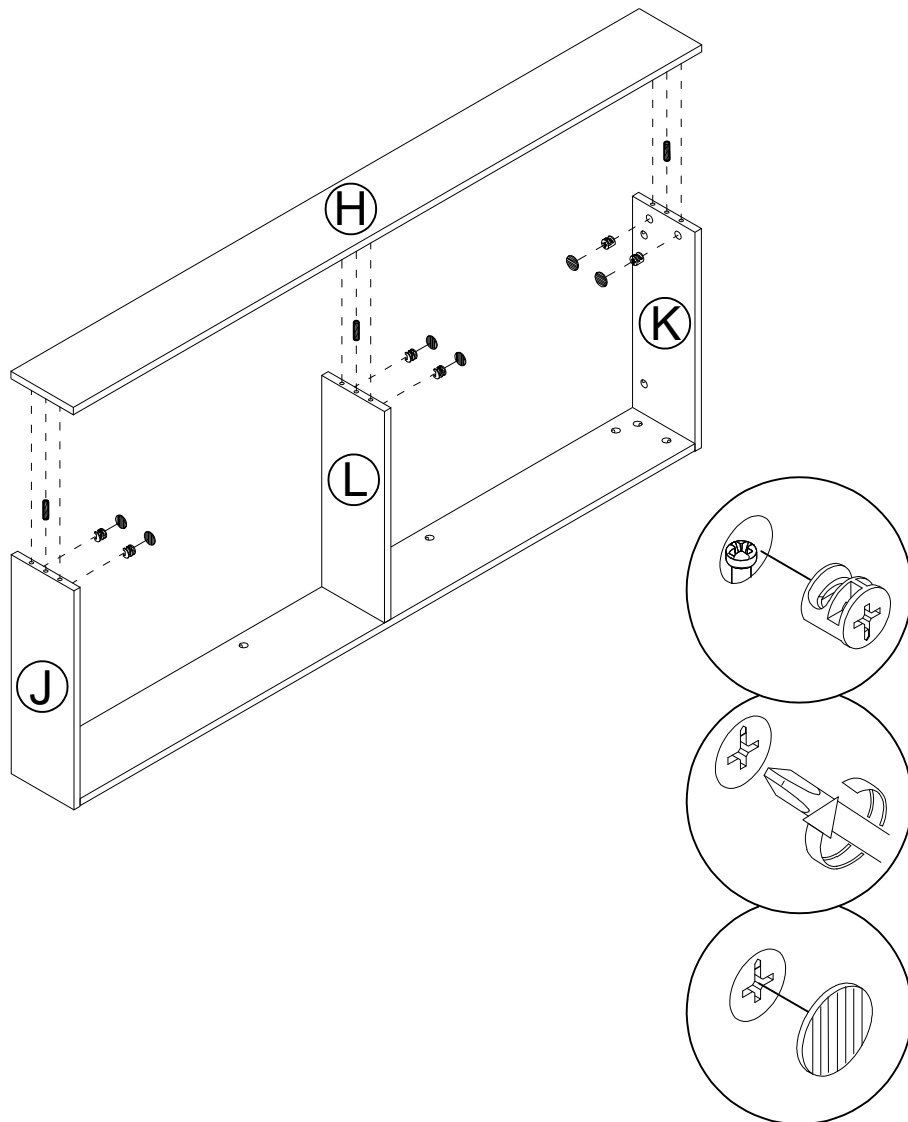


(6 PCS)

④

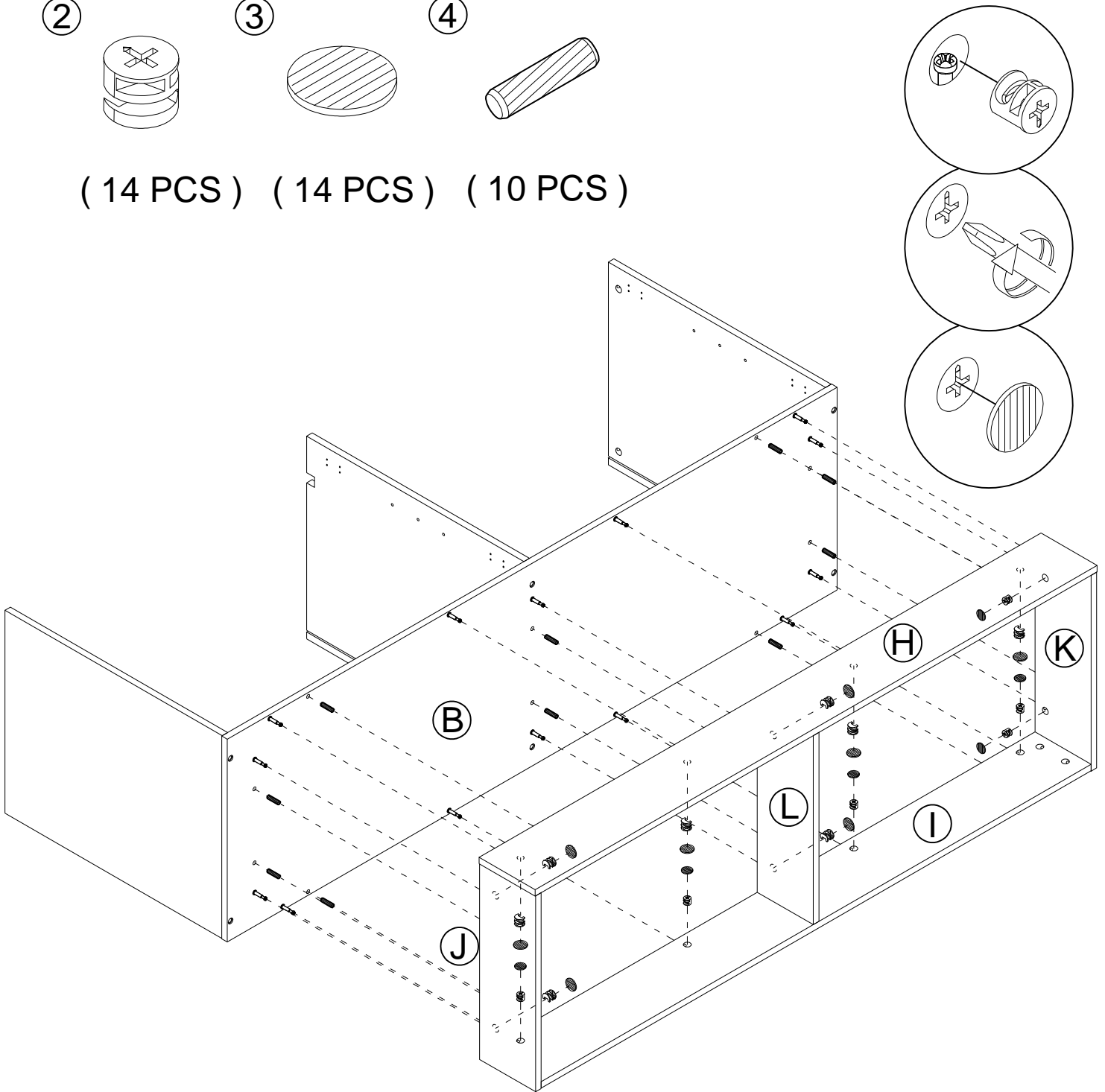
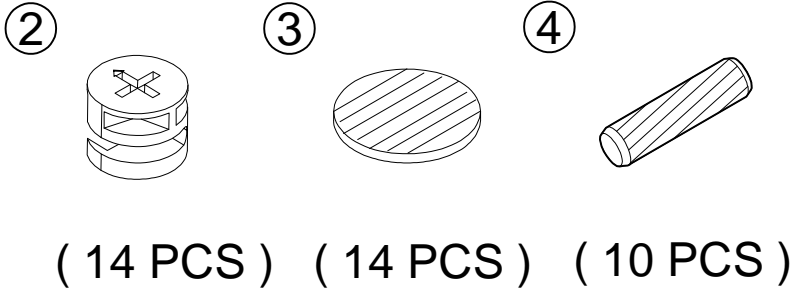


(3 PCS)



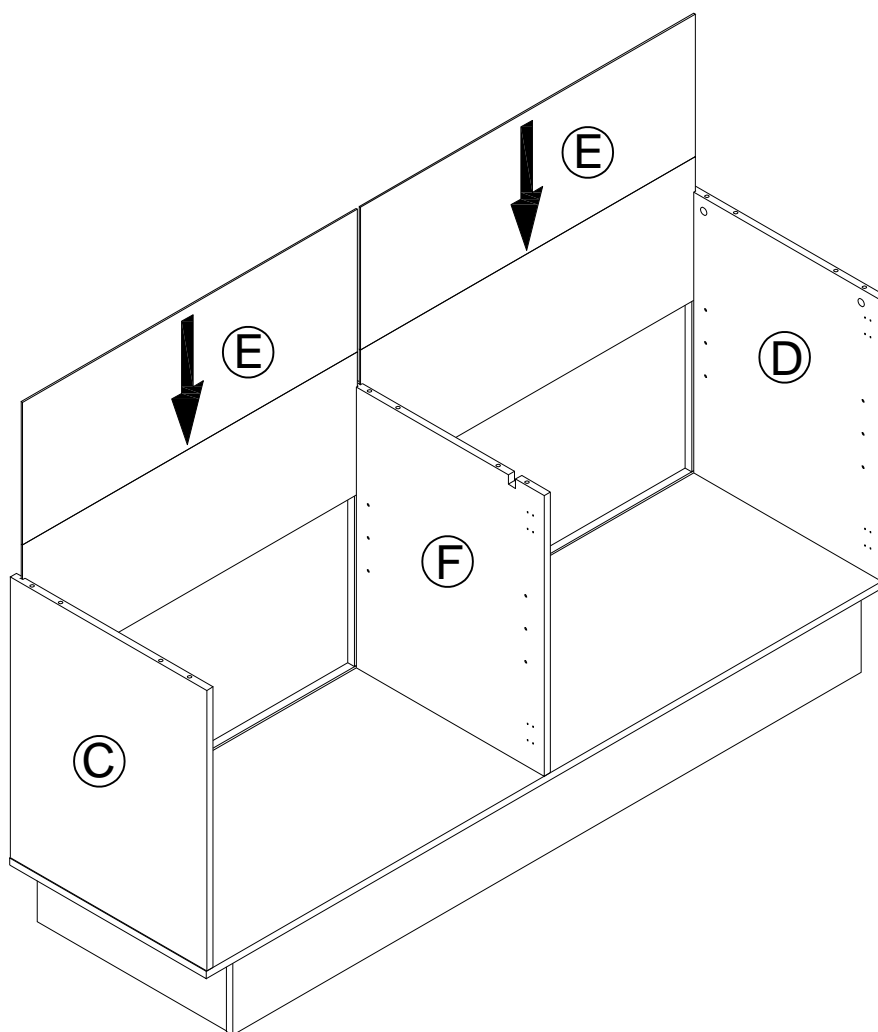
Step 6:

* Attach the LEFT FOOTBOARD PANEL (J), MIDDLE FOOTBOARD PANEL (L) and RIGHT FOOTBOARD PANEL (K), FRONT FOOTBOARD PANEL (H) and BACK FOOTBOARD PANEL (I) to the BOTTOM PANEL (B) by the Fourteen KD LARGE CAM (2) , Fourteen COVER CAP (3) and Ten WOOD DOWEL (4) .



Step 7:

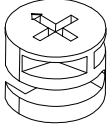
* Insert the Two BACK PANEL (E) to the stand.



Step 8:

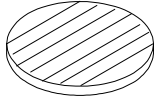
* Attach the TOP PANEL(A) to the LEFT PANEL(C), BETWEEN PANEL(F) and RIGHT PANEL(D) by the Six KD LARGE CAM (2) , Six COVER CAP (3) and Six WOOD DOWEL (4) .

②



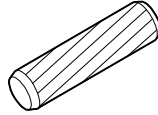
(6 PCS)

③

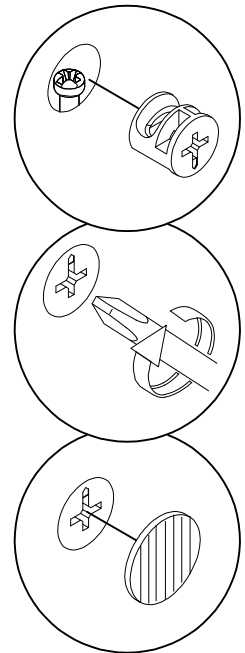
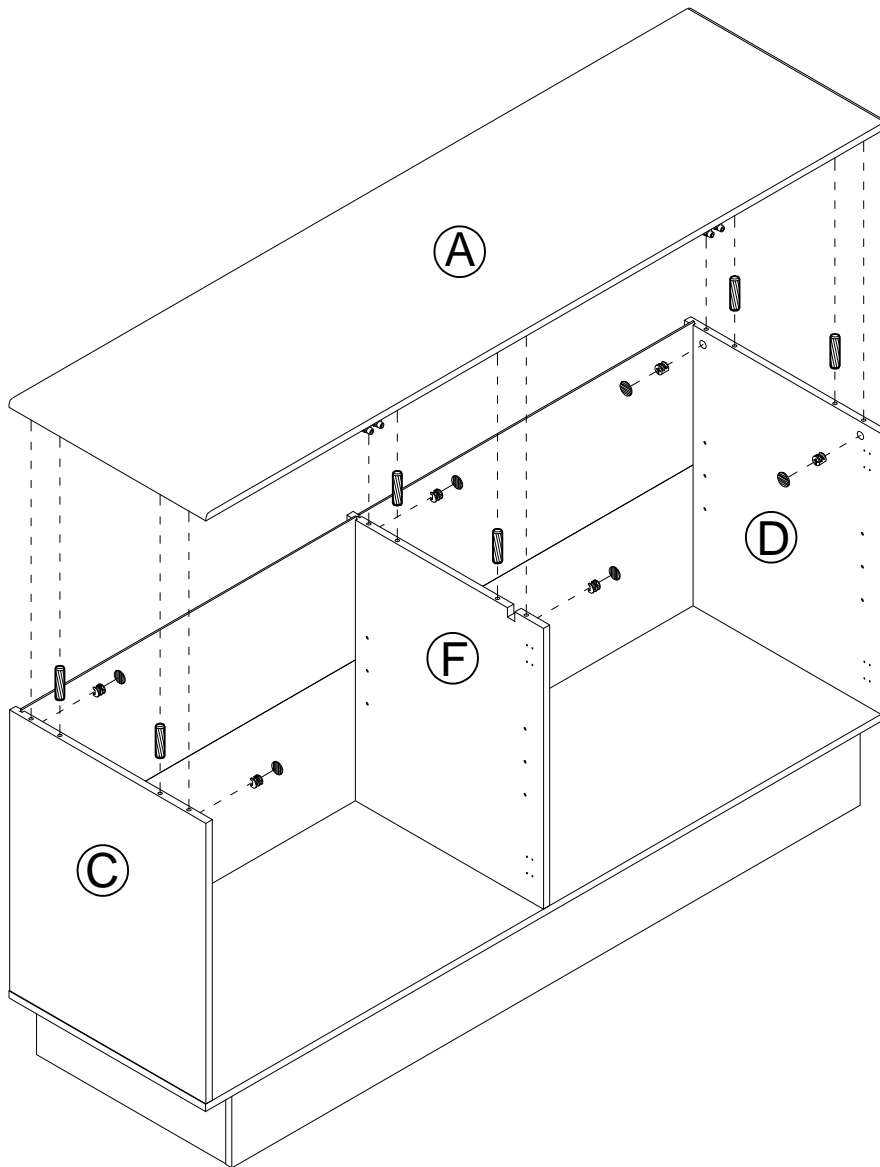


(6 PCS)

④



(6 PCS)



Step 9:

* Assemble the HINGE(6) to the LEFT DOOR (M) and RIGHT DOOR (P) with the SCREW (9) .

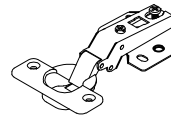
* Assemble the SCREW(15) to the LEFT DOOR (M) and RIGHT DOOR (P).

⑮



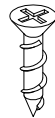
(2 PCS)

⑥

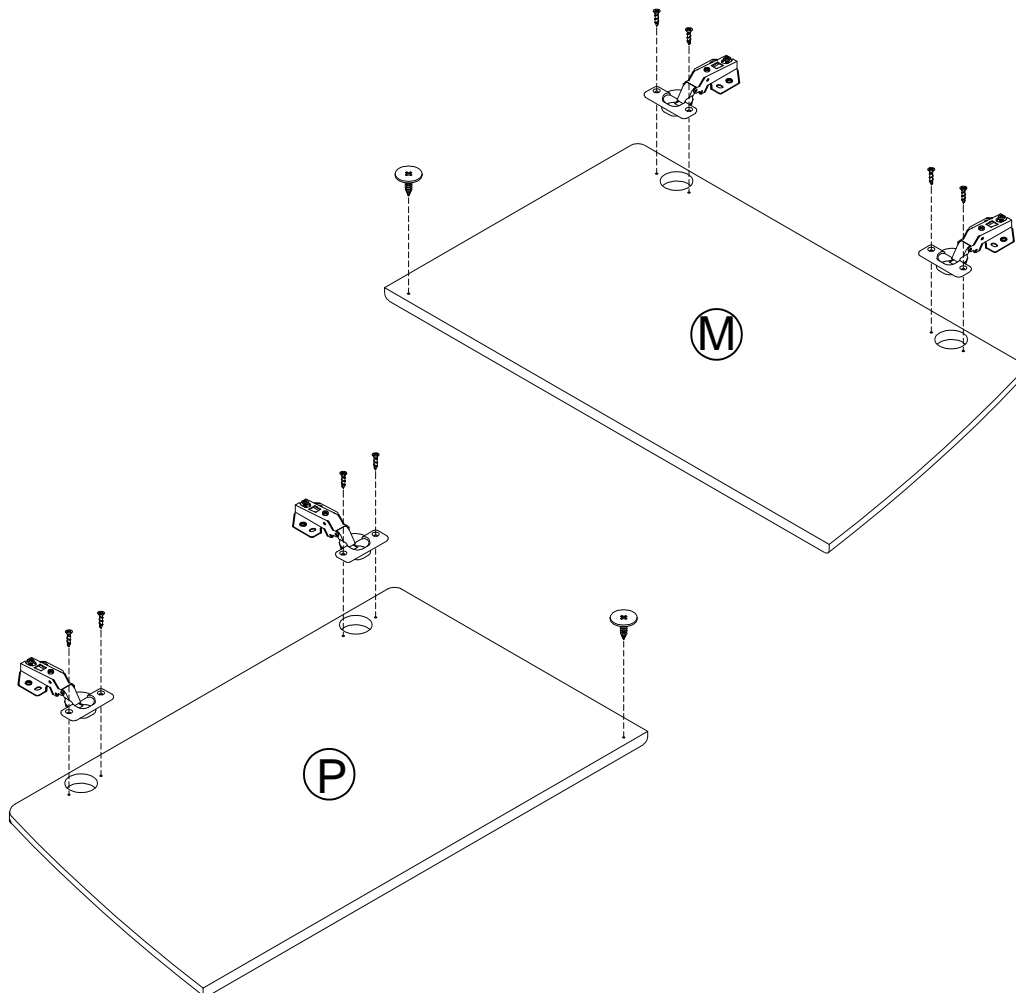


(4 PCS)

⑨



(8 PCS)



Step 10:

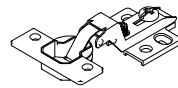
- * Assemble the HINGE(10) to the LEFT MIDDLE DOOR (N) and RIGHT MIDDLE DOOR (O) with the SCREW (9) .
- * Assemble the SCREW(15) to the LEFT MIDDLE DOOR (N) and RIGHT MIDDLE DOOR (O).

15



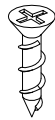
(2 PCS)

10

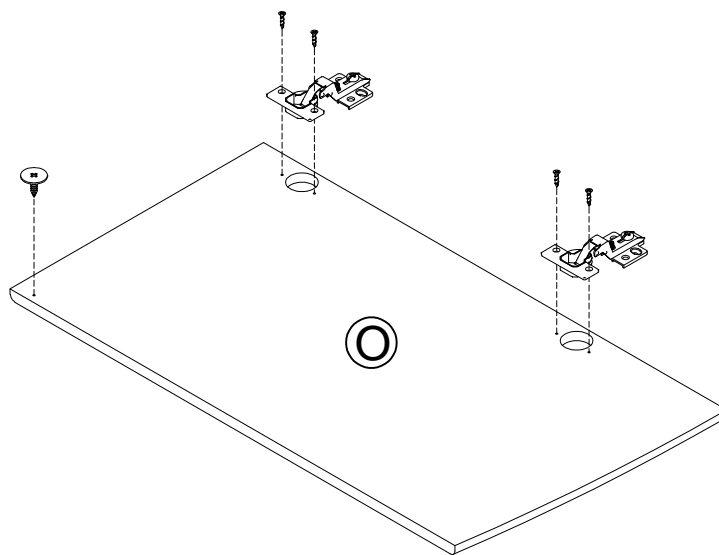
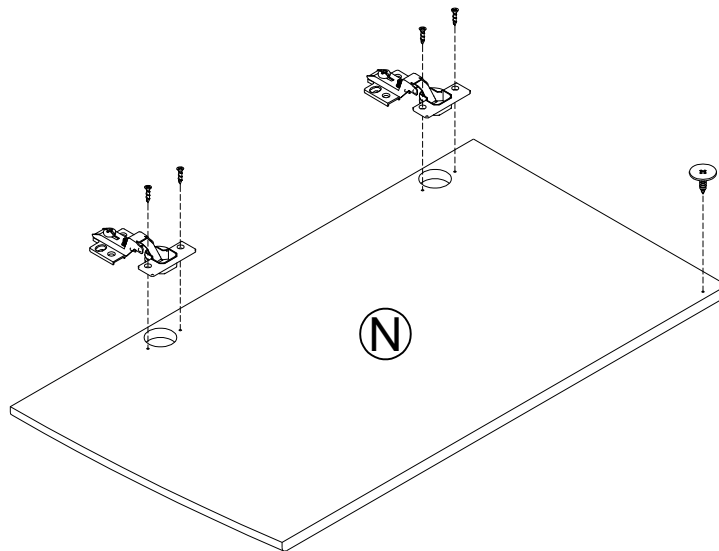


(4 PCS)

9

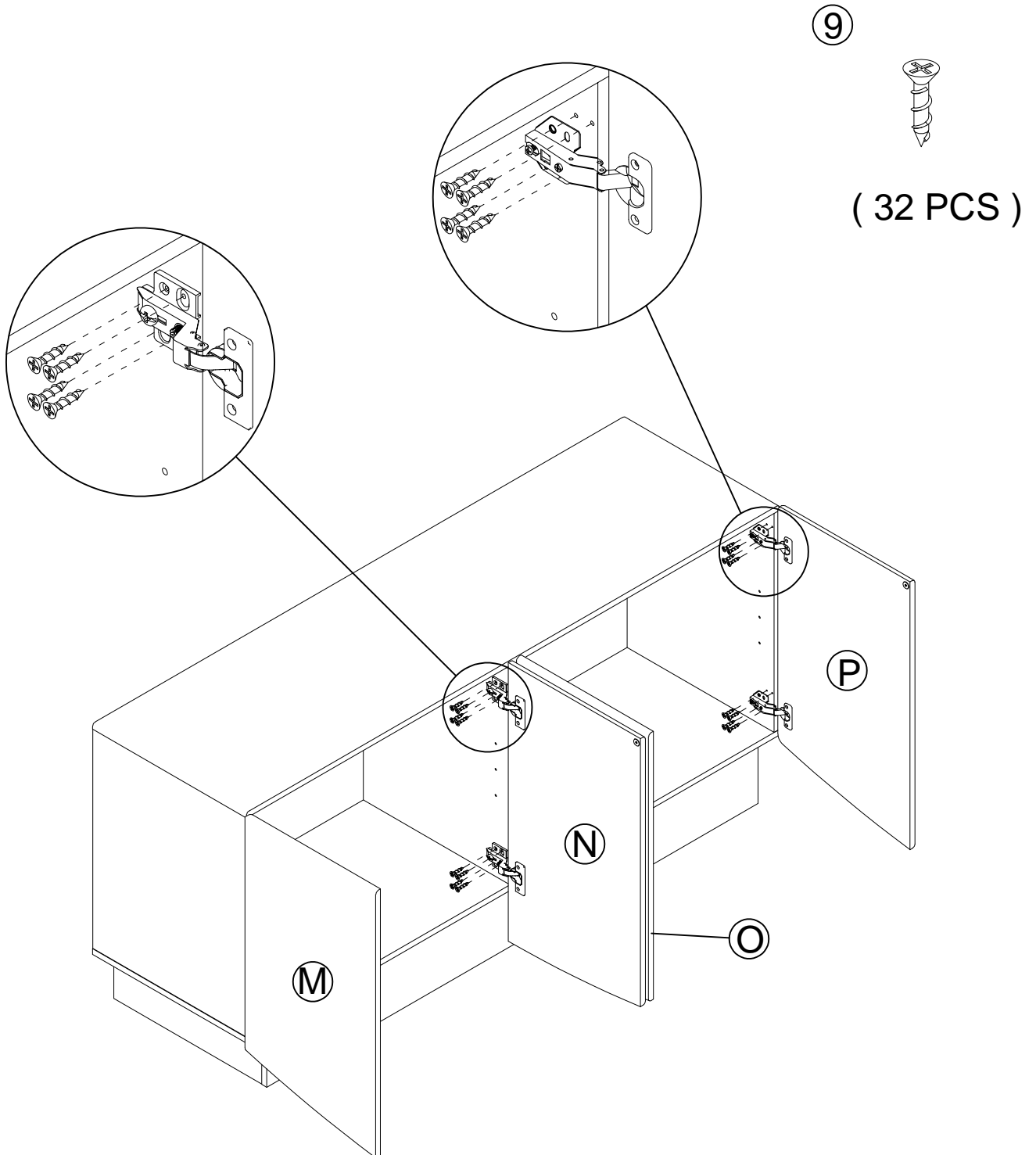


(8 PCS)



Step 11:

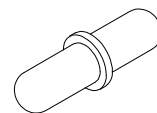
* Attach the LEFT DOOR (M), LEFT MIDDLE DOOR(N), RIGHT MIDDLE DOOR (O) and RIGHT DOOR(P) to the sideboard with the SCREW (9) .



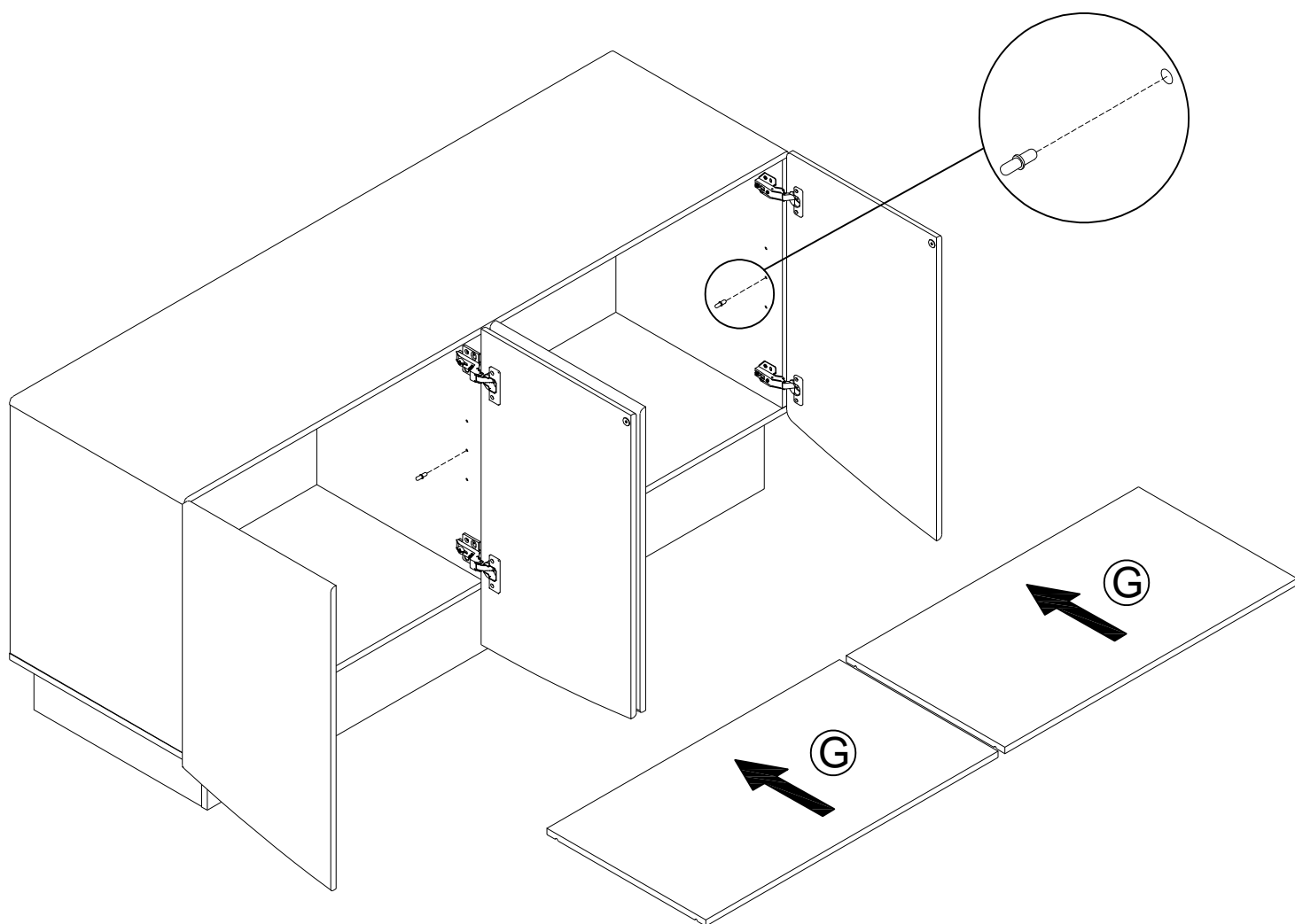
Step 12:

*Input Two SHELF PANEL(G) to the sideboard with Eight SHELF SUPPORT(5) .

⑤



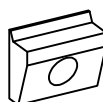
(8 PCS)



Step 13:

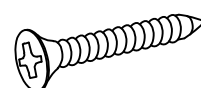
* Insert Twenty PLASTIC WEDGE(13) and Twenty SCREW(14) to the Two BACK PANEL (E).

13

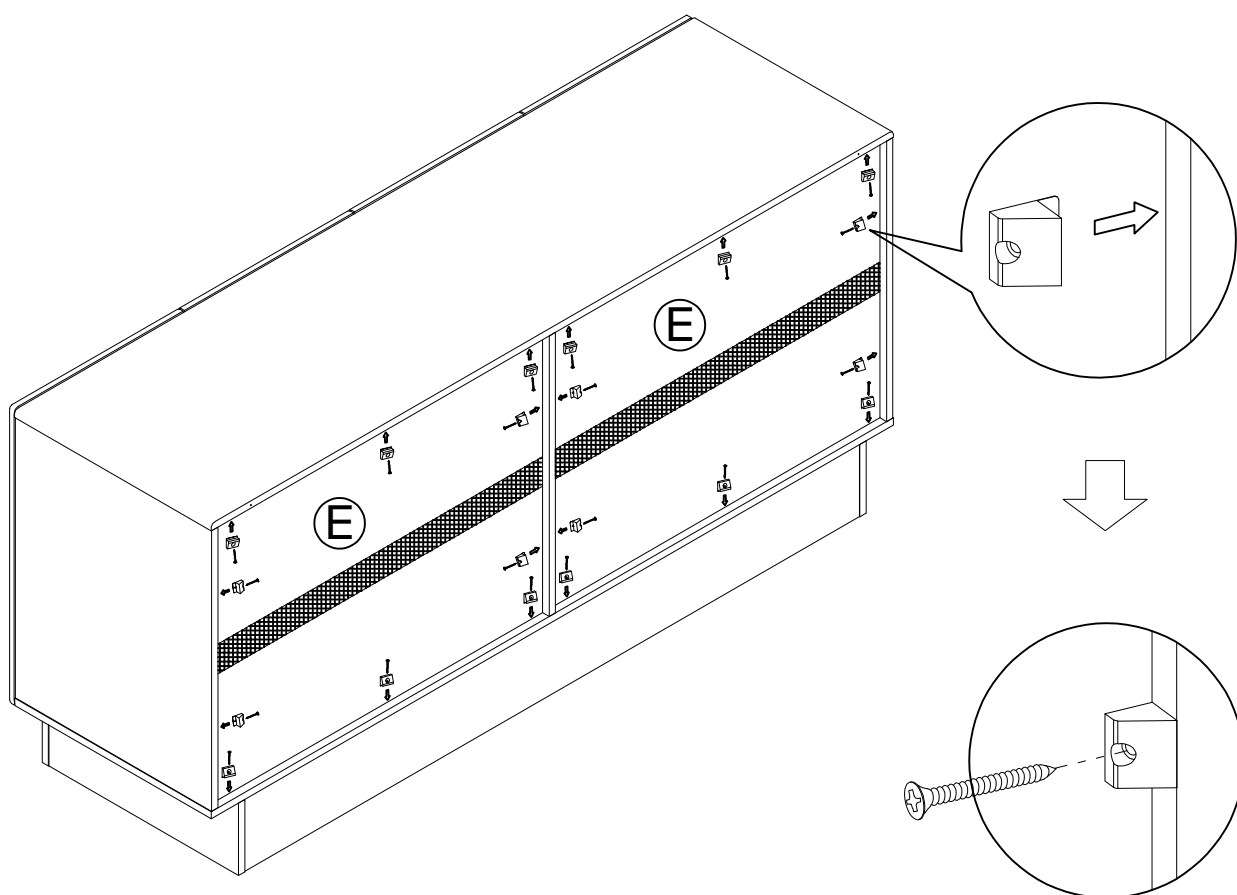


(20 PCS)

14



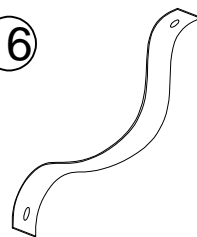
(20 PCS)



Step 14:

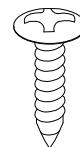
* Attach anti-tipping straps to the back of the stand.

16

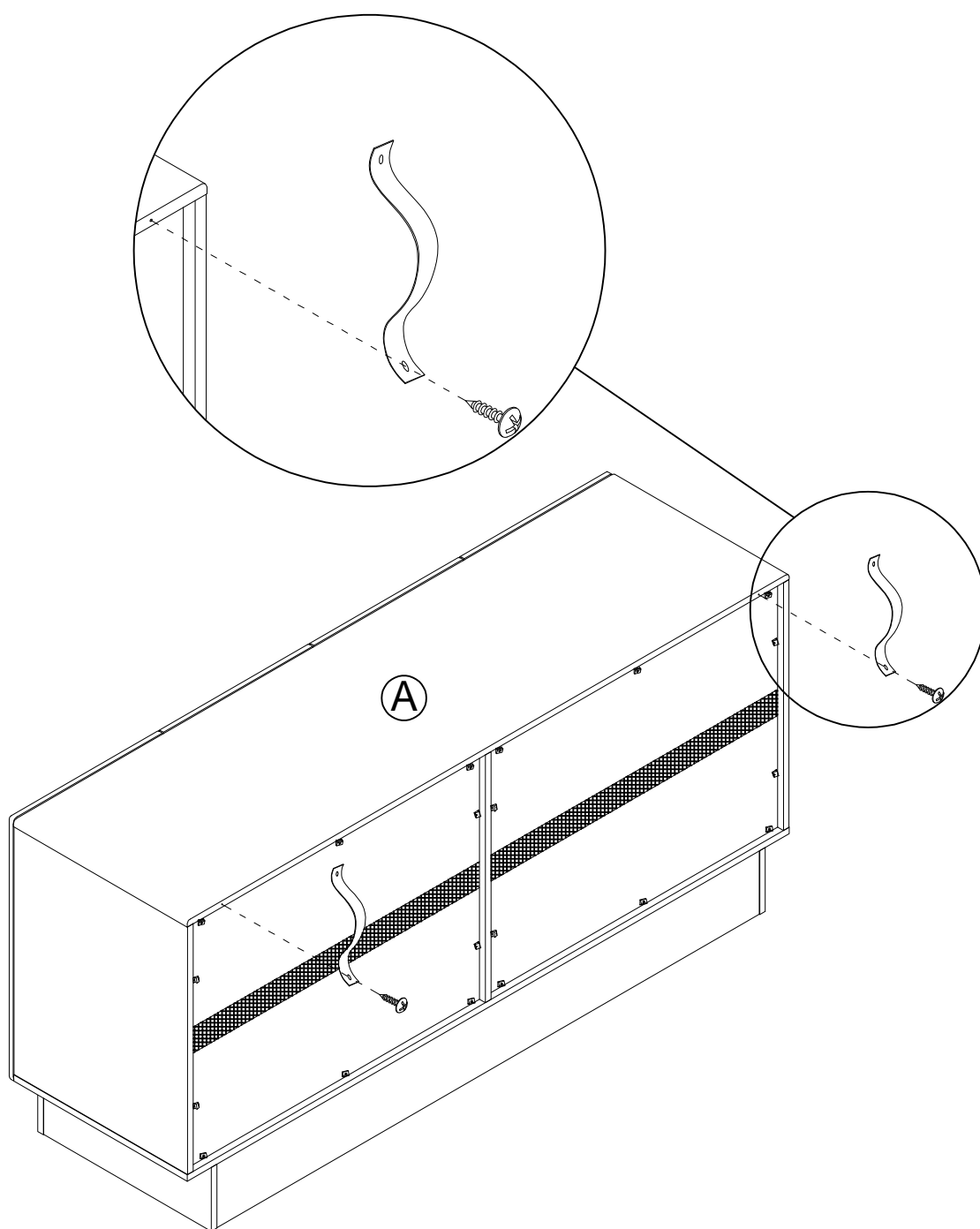


(2 PCS)

17



(2 PCS)



Step 15:

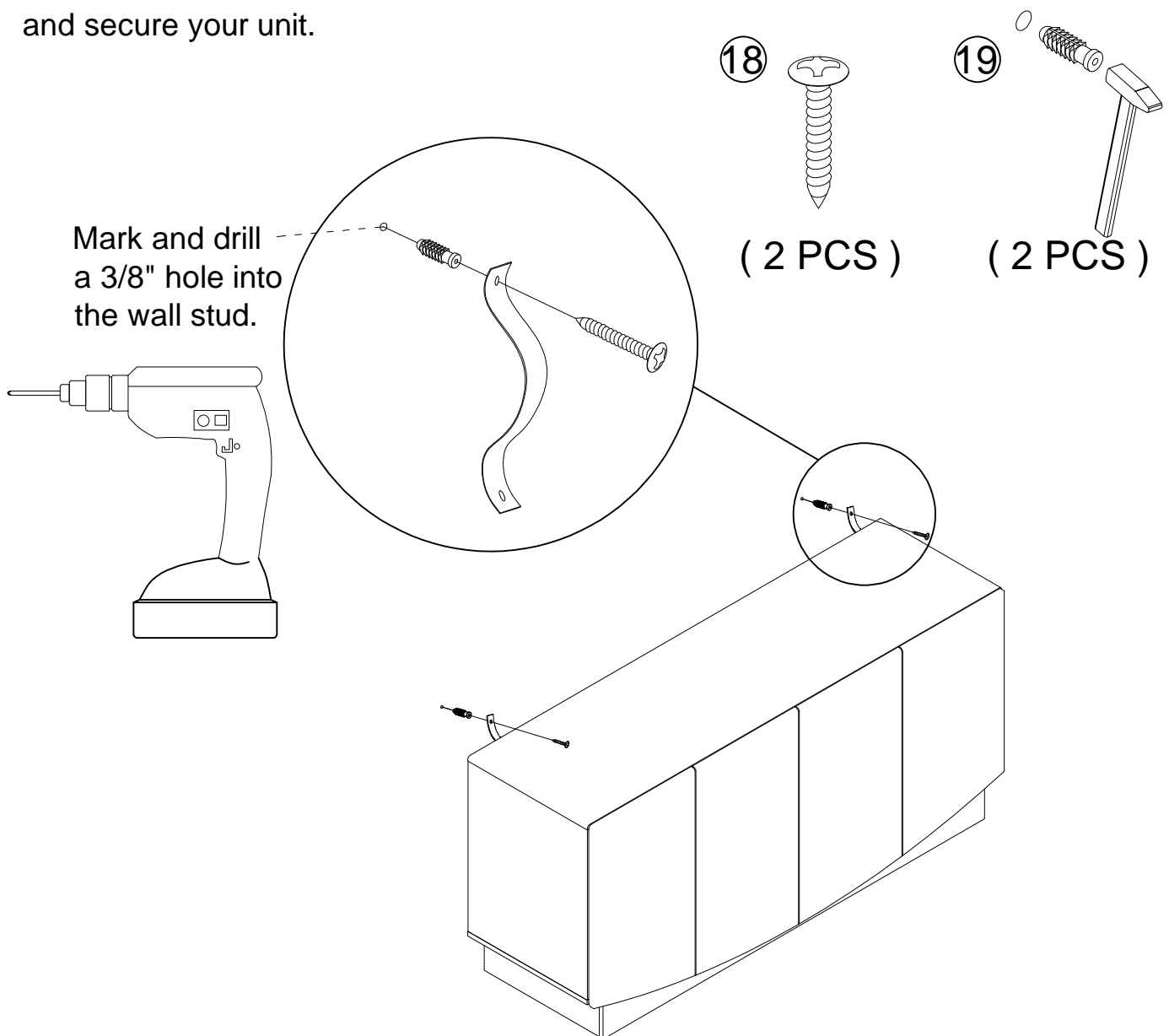
1st- With your pencil, strike a mark through the center of the hole in the SAFETY STRAP.

2nd- Drill a 3/8" hole on the mark.

3rd- FURNITURE TIPPING RESTRAINT KIT (19) into the hole until it is even with the surface of the wall.

4th- Turn the LONG SCREW through the hole in the SAFETY STRAP and into the WALL ANCHOR.

NOTE: You will need to turn the LONG SCREW multiple turns to completely tighten and secure your unit.





WARRANTY POLICY

All Manhattan Comfort furniture products are warranted, to the original purchaser at the time of purchase and for a period of 30 days thereafter.

Our warranty is limited to new products purchased in factory sealed cartons. This warranty is valid in the United States of America and Canada.

In order to provide you with timely assistance, please thoroughly inspect your furniture for missing or defective parts immediately after opening the carton.

Manhattan Comfort offers a 30-day parts replacement warranty on all items.

Our furniture products are not intended for outdoor use.

THE WARRANTY DOES NOT COVER:

- Defects/damages by improper assembly or disassembly.
- Defects/damages caused by shipping. Claims for damage during transit should be placed immediately to the transportation company.
- Defects/damages caused by inappropriate use of the furniture.



319 Ridge Rd. Dayton, NJ 08810

908-888-0818