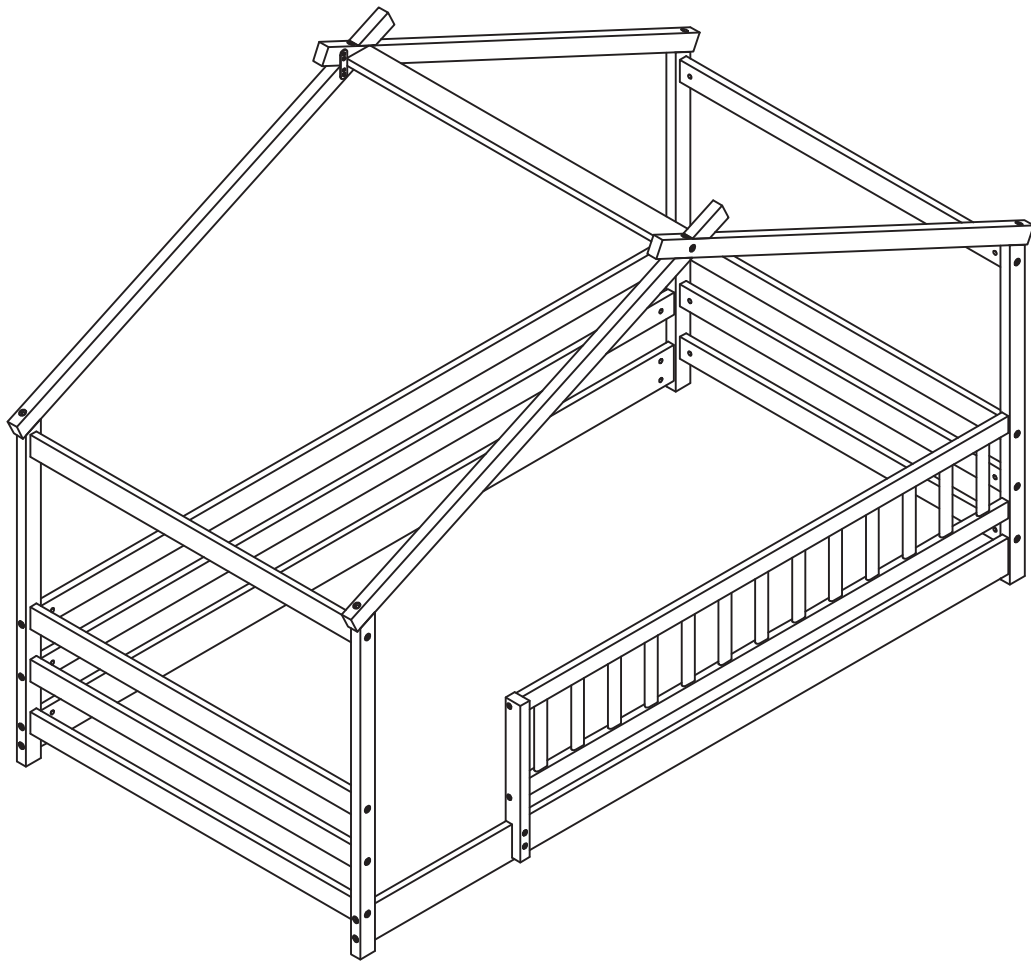
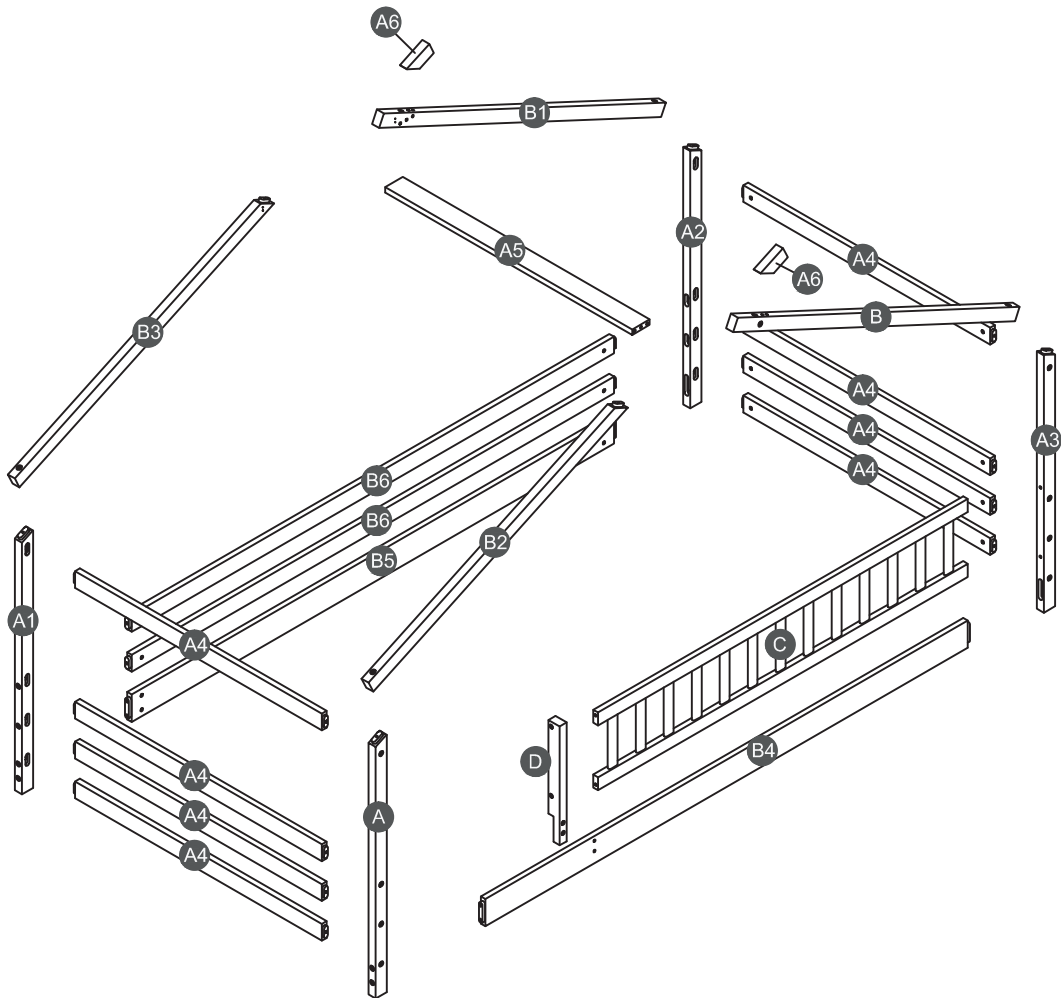


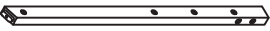
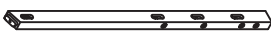
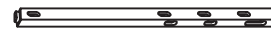


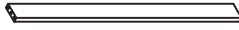


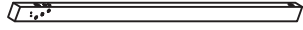
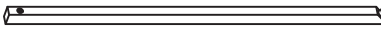



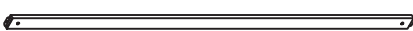


ASSEMBLY INSTRUCTIONS



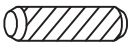
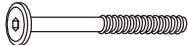
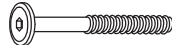
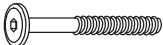





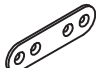
Exploded Drawing



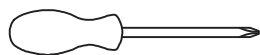
Part List

A  Leg (Left front) - 1pc	A1  Leg (Left back) - 1pc	A2  Leg (Right back) - 1pc
A3  Leg (Right front) - 1pc	A4  Horizontal bar HB/FB - 8pcs	A5  Upper horizontal bar - 1pc
A6  Block - 2pcs	B  Upper (Right front) - 1pc	B1  Upper (Right back) - 1pc
B2  Upper (Left front) - 1pc	B3  Upper (Left back) - 1pc	B4  Side rail (front) - 1pc
B5  Side rail (back) - 1pc	B6  Guard rail (back) - 2pcs	C  Guard rail (front) - 1pc
D  Support guard rail (Left) - 1pc		

Hardware List

1  Ø8*30mm Wood dowel (6pcs)	2  (Ø15)1/4"*100mm Hex-Head bolts (14pcs)	3  (Ø15)1/4"*80mm Hex-Head bolts (2pcs)
4  (Ø15)1/4"*70mm Hex-Head bolts (18pcs)	5  (Ø12)1/4"*35mm Hex-Head bolts (2pcs)	6  1/4"*15 (9.5mm) Horizontal-Hole bolts(34pcs)
7  (Ø12)1/4"*65mm Hex-Head bolts (8pcs)	8  (1/4")4.5*58mm Allen key (1pc)	9  Ø3.5*19mm Wood screws (8pcs)
10  75*20*2 mm Metal bracket (2pcs)		

ASSEMBLY TOOLS REQUIRED (NOT INCLUDED)





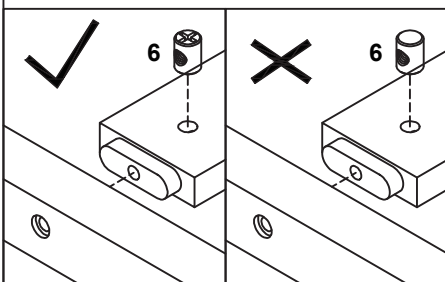
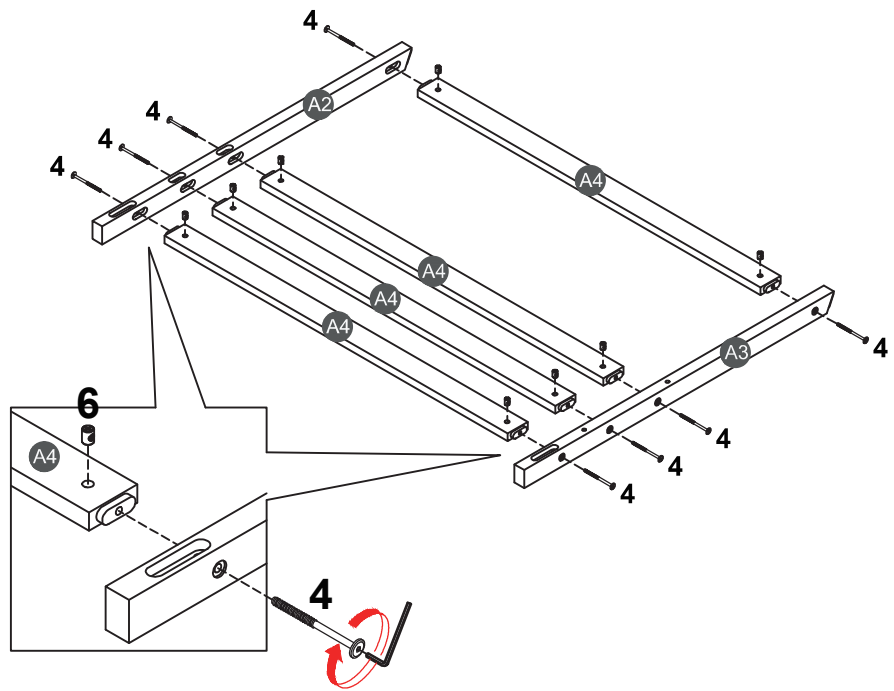
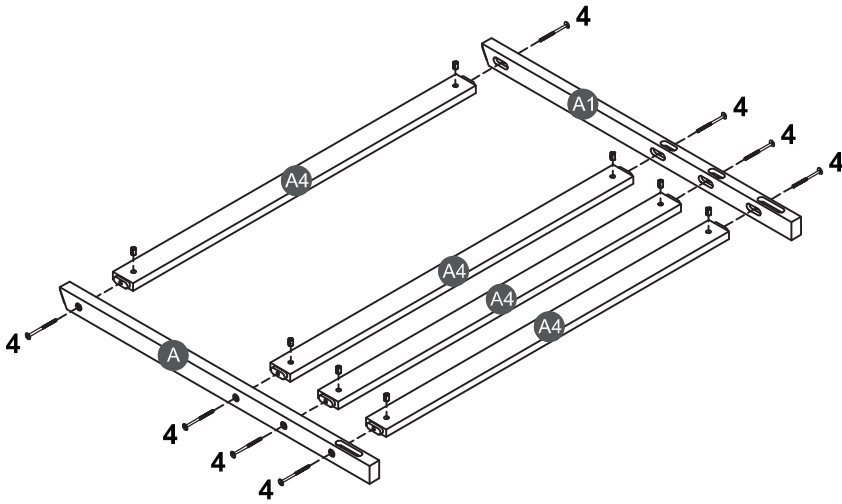
(Phillip head screwdriver)



PLEASE BE CAREFUL DO NOT DAMAGE THE HOLE POSITION WHEN YOU USE POWER TOOLS !



STEP 1:

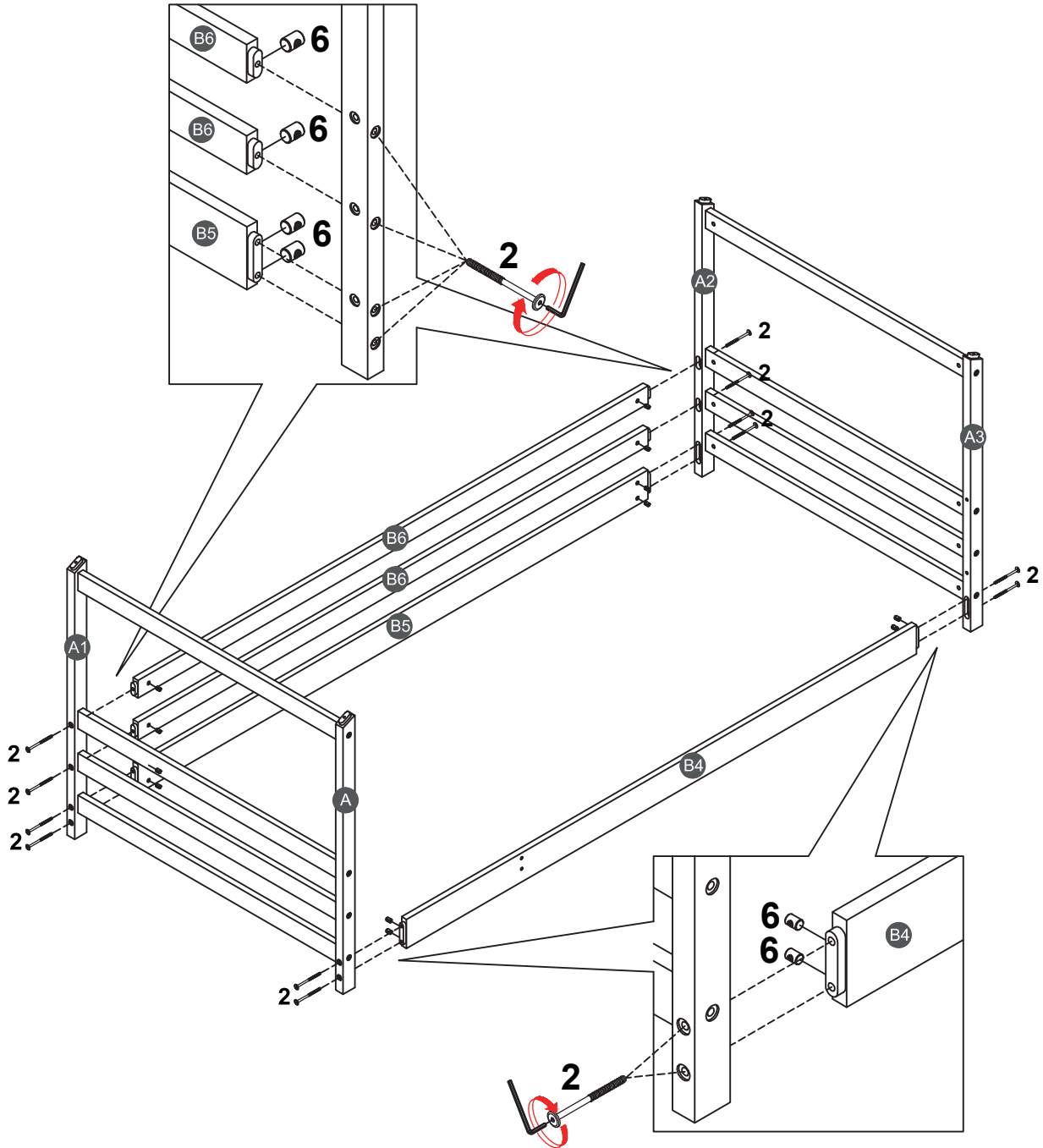
4		6	
16PCS		16PCS	







Note: Part 6 will face up with the "x" mark on it, otherwise it cannot be tightened

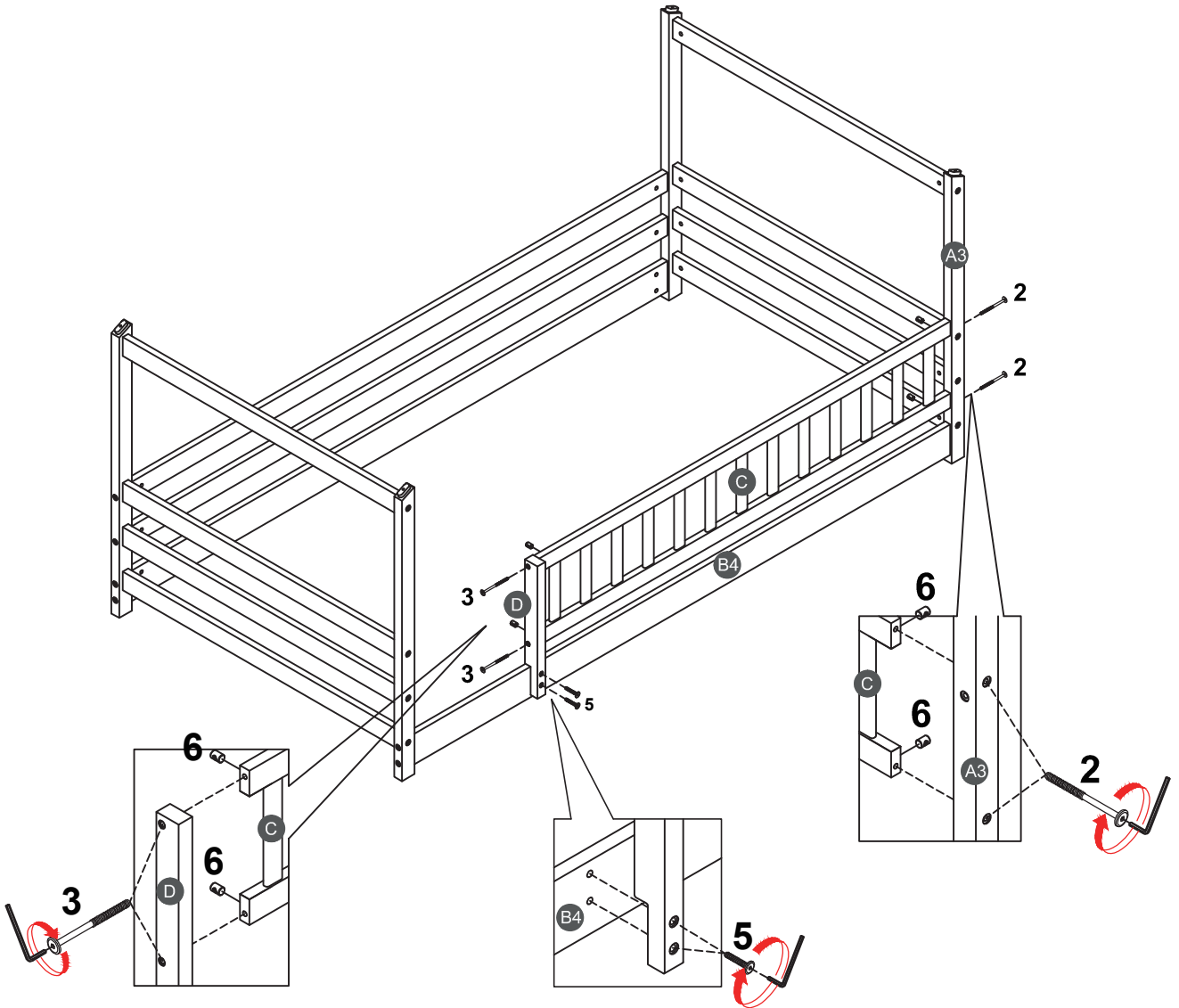
STEP 2:

2		6	
12PCS		12PCS	







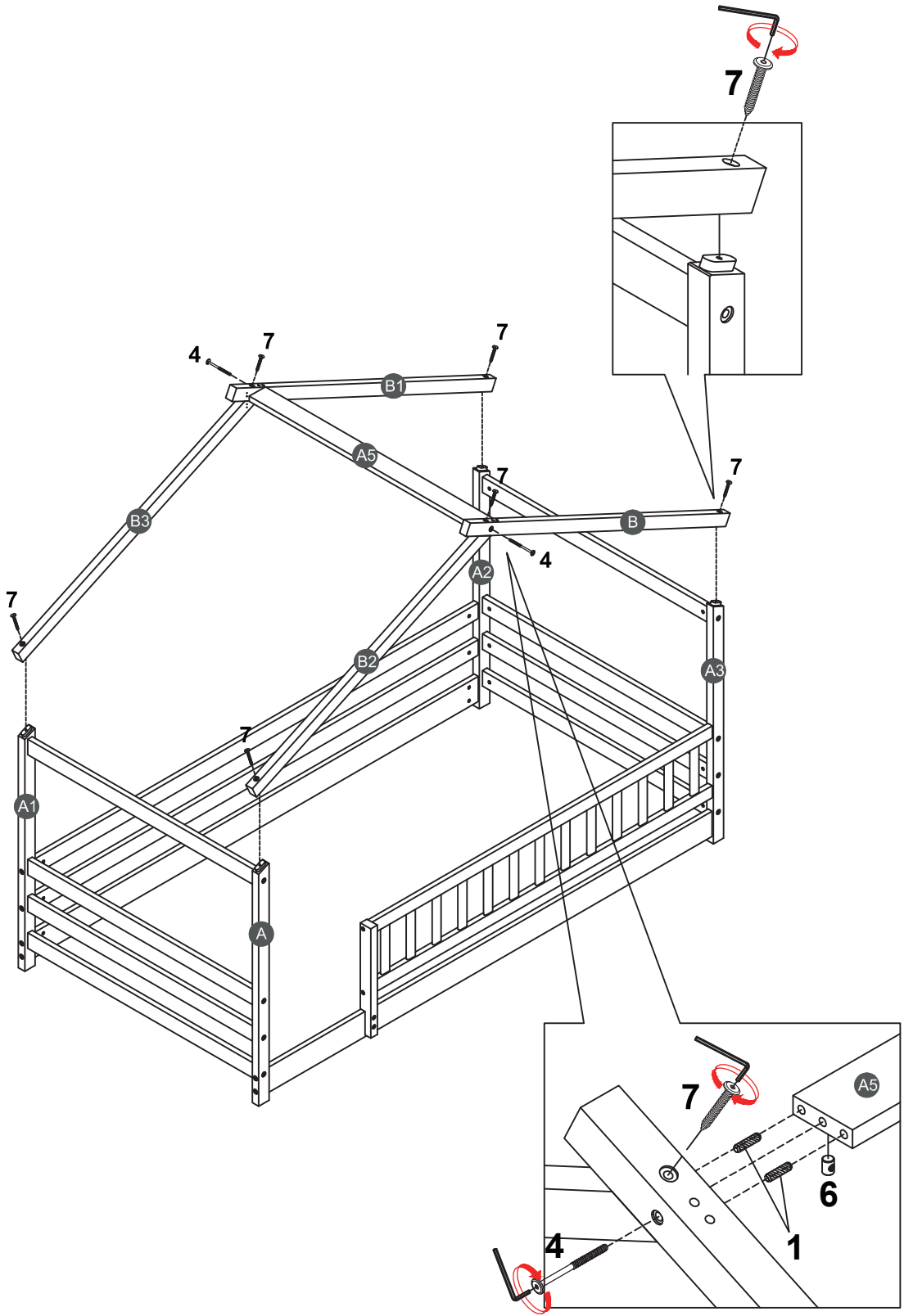
STEP 3:

2		3		5		6	
2PCS		2PCS		2PCS		4PCS	

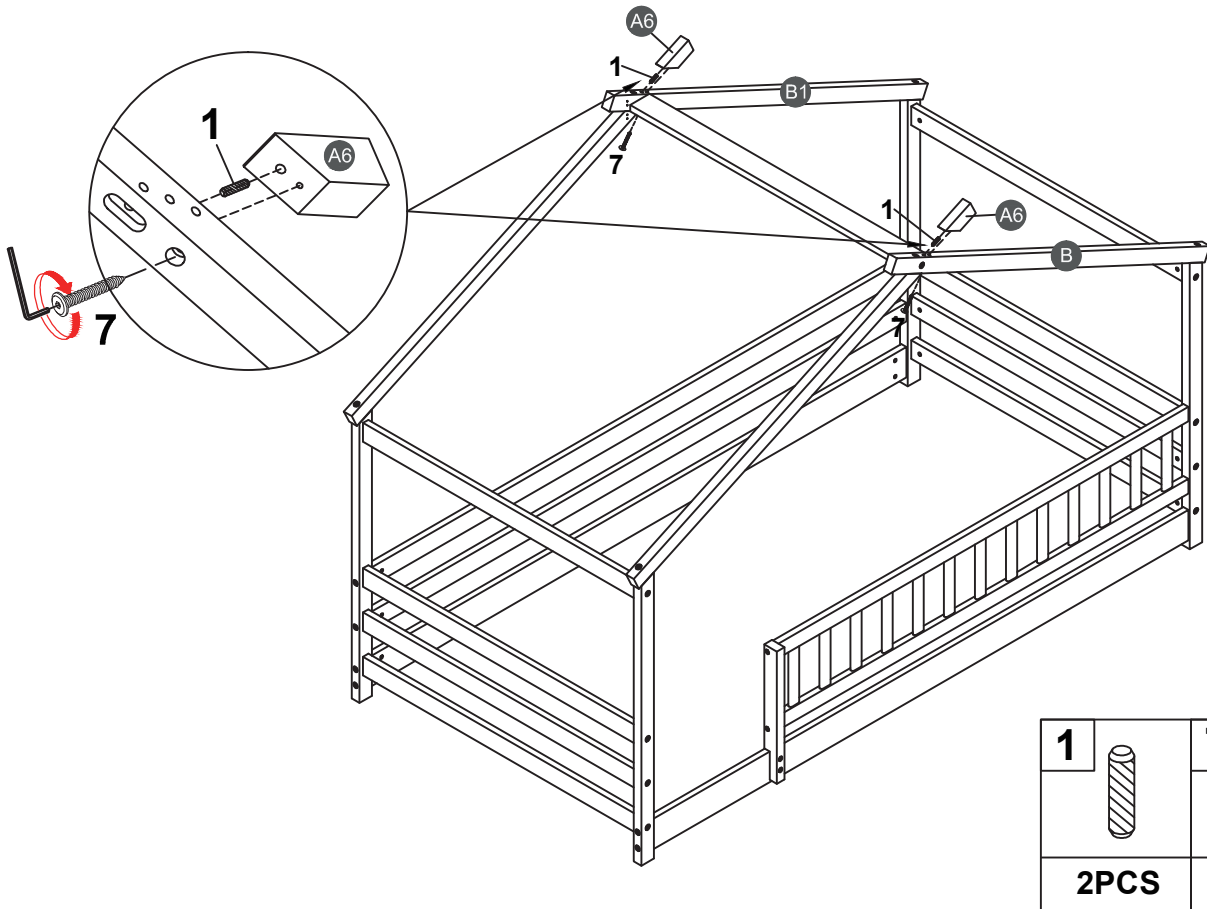


STEP 4:

1		4		7		6	
4PCS		2PCS		6PCS		2PCS	

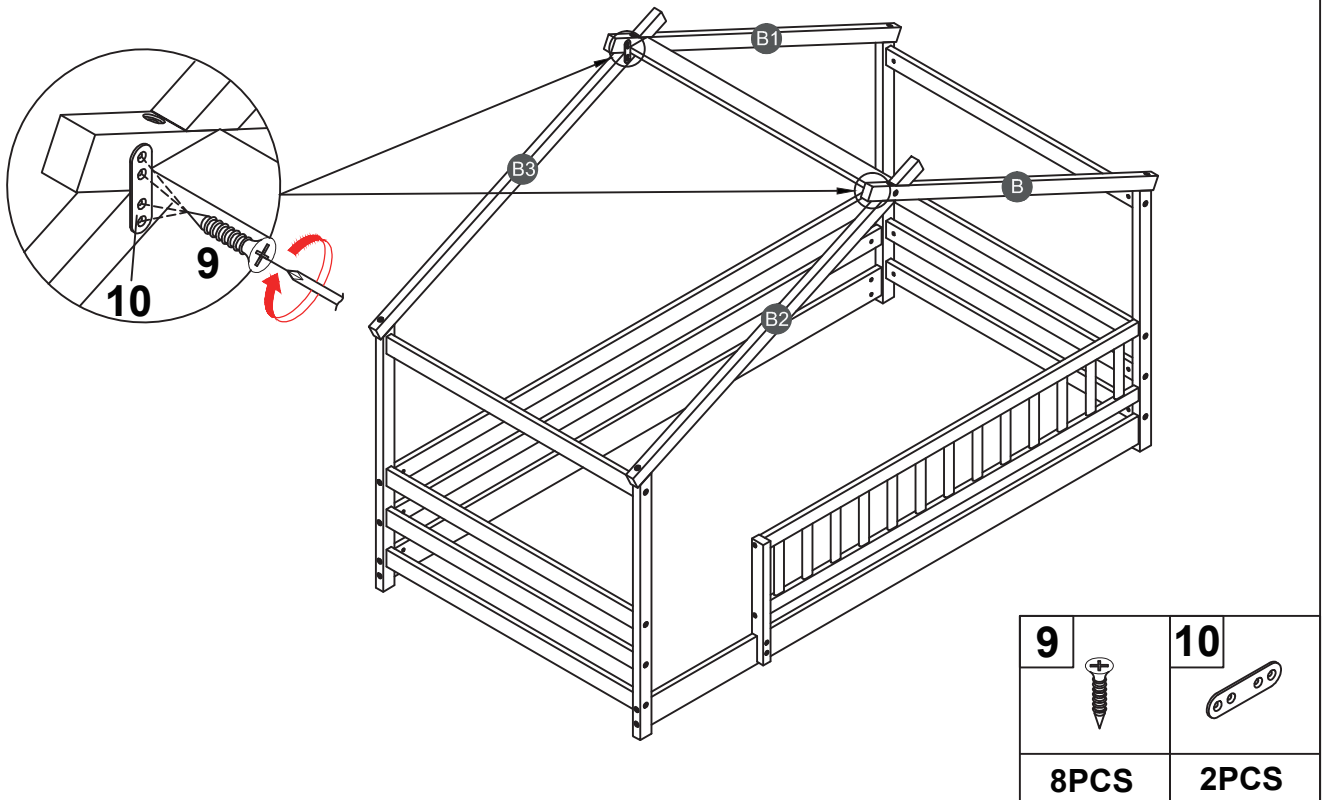


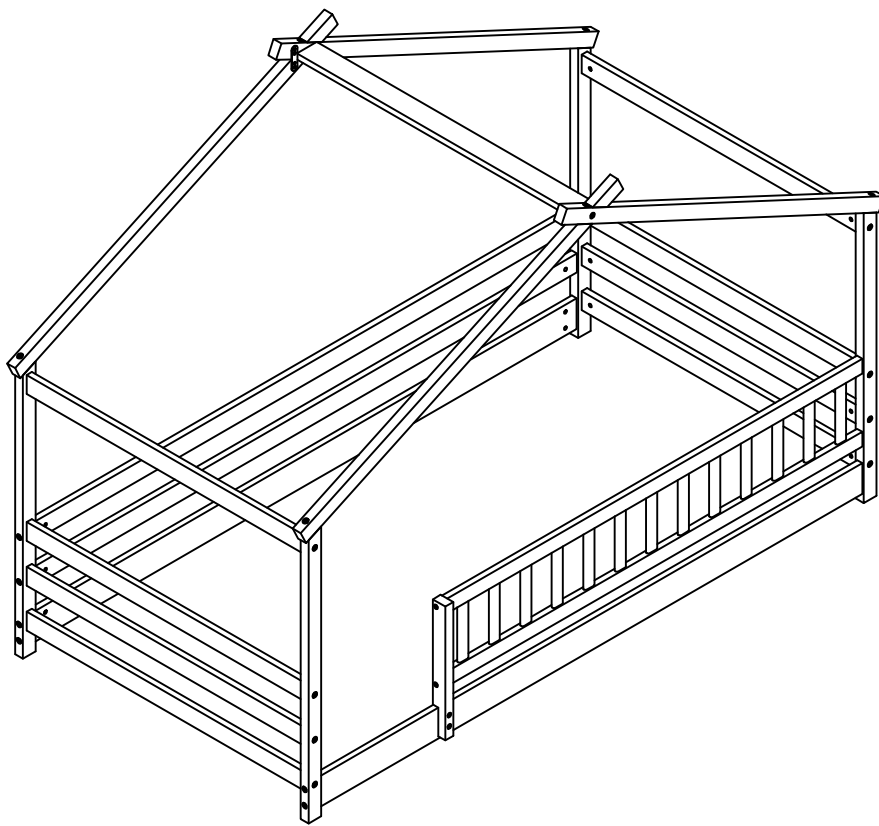
STEP 5:



STEP 6:

ÉTAPE





AFTER-SALE SERVICE

If you have any suggestions for our products or find that the products have quality problems, please contact us first, our after-sales team will reply you within 24 hours, and we will do our best to give you solutions until you are satisfied.

Guaranteed Customer Service

Your shopping experience is very important to us!
Feel unsatisfied? **Contact us!**
Have any questions? **Contact us!**

Wanna share your experience with our products?
Share your pictures with us.

Any suggestions? **Contact us!**
We gotcha back!