

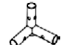



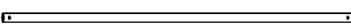





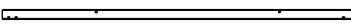
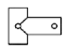
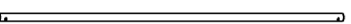

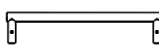

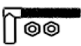




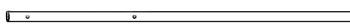





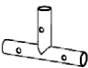
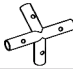
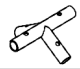

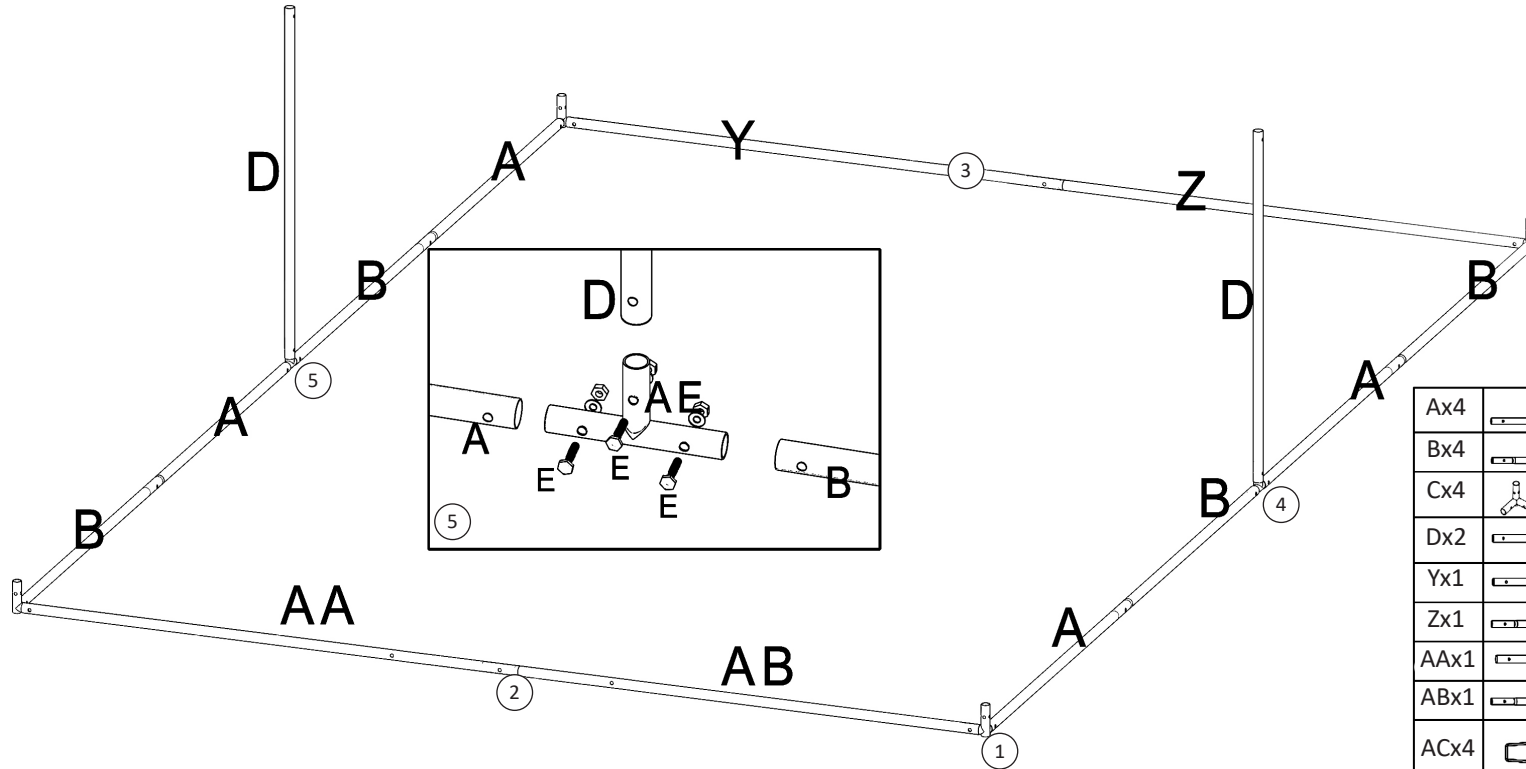
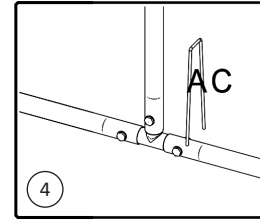
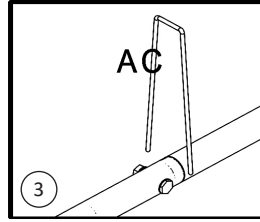
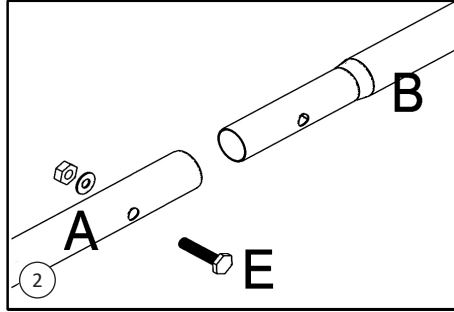
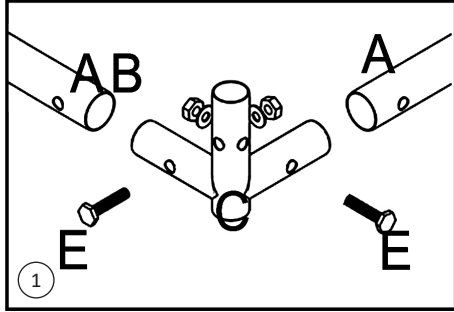
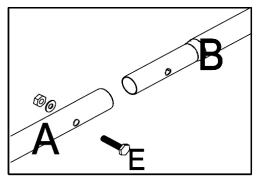
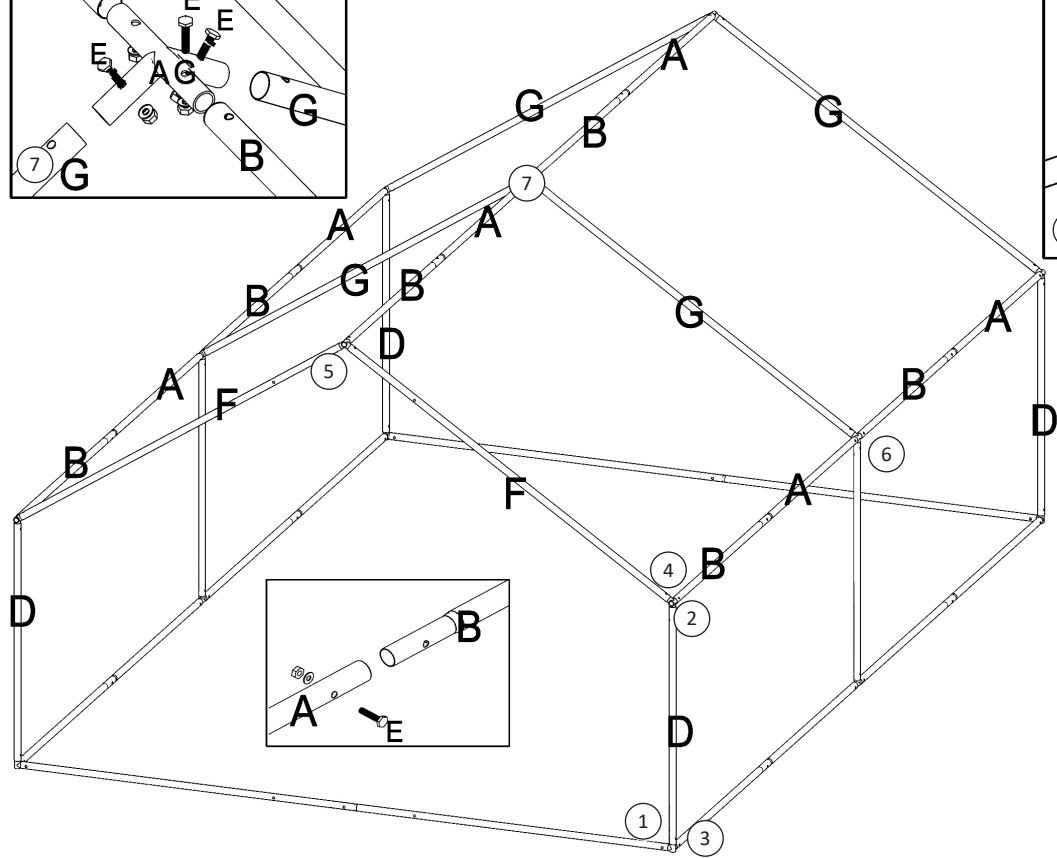
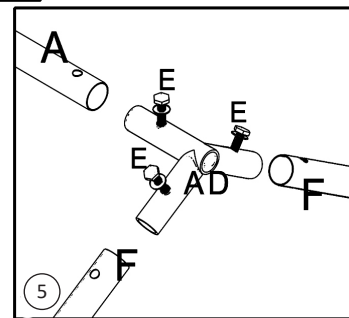
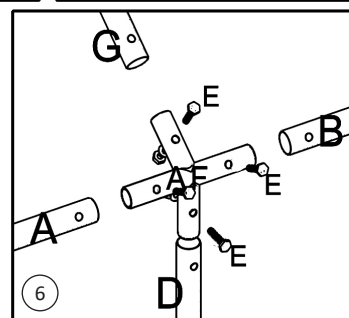
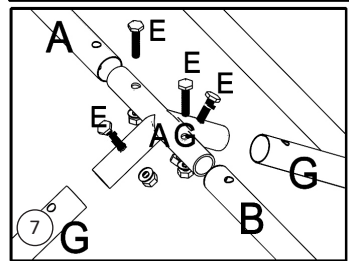
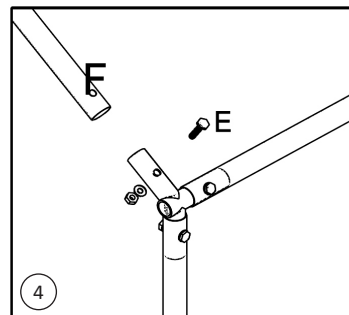
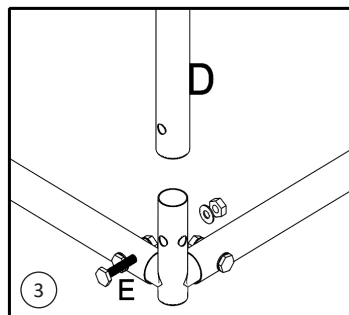
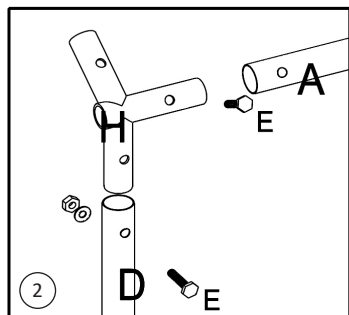
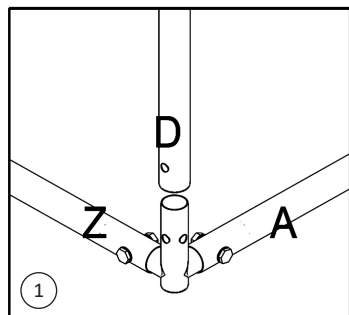


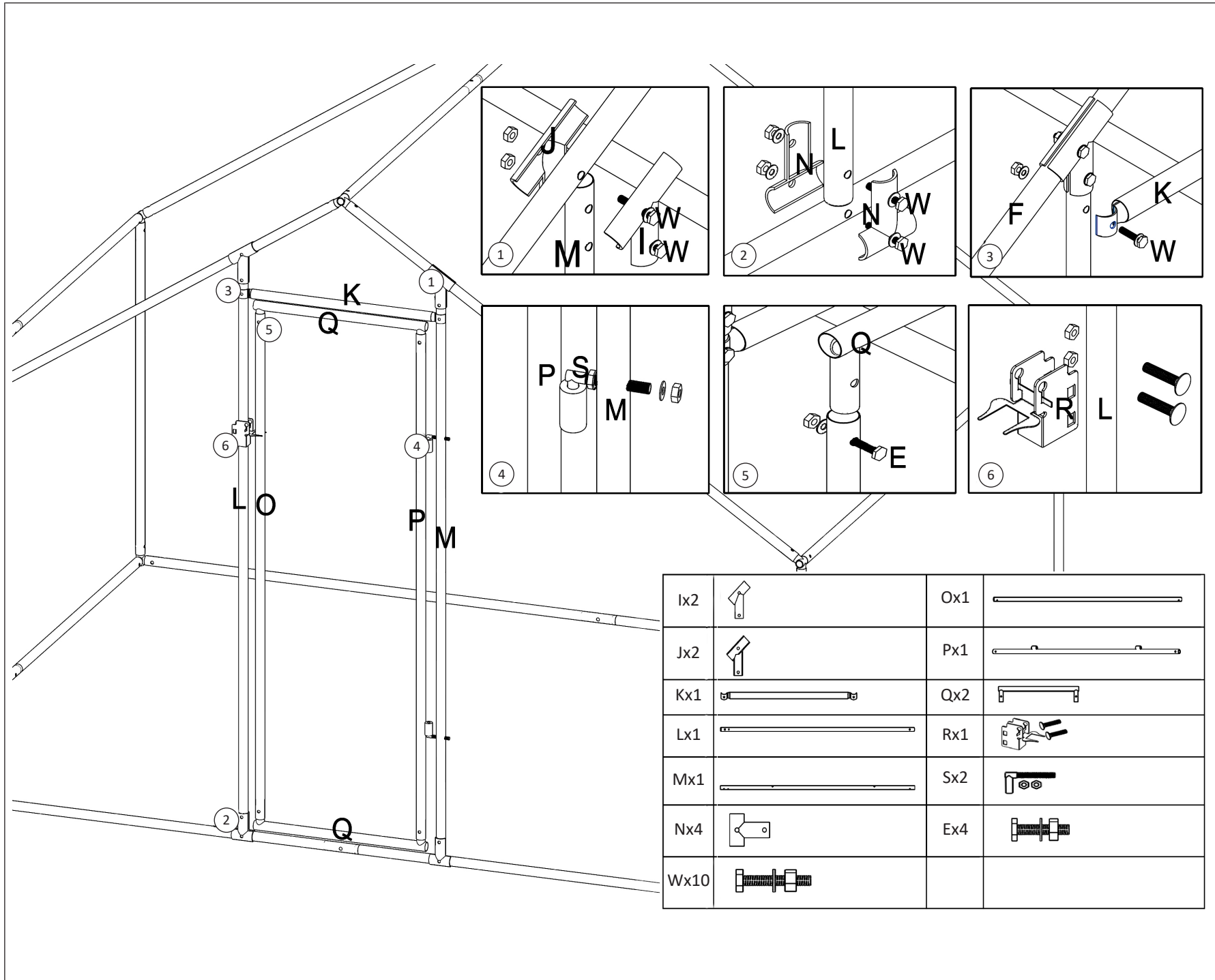
Ax10		$\frac{1025}{40.4}$	Bx10		$\frac{1025}{40.4}$
Cx4			Dx6		$\frac{950}{37.4}$
Ex64		M6x $\frac{30}{1.2}$	Fx2		$\frac{1600}{63.0}$
Gx4		$\frac{1600}{63.0}$	Hx4		
Ix2			Jx2		
Kx1			Lx1		$\frac{1644}{64.7}$
Mx1		$\frac{1644}{64.7}$	Nx4		
Ox1		$\frac{1460}{57.5}$	Px1		$\frac{1460}{57.5}$
Qx2			Rx1		
Sx2			Tx1		
Ux2			Vx1		
Wx10		M6x $\frac{40}{1.6}$	Yx1		$\frac{1371}{54.0}$
Zx1		$\frac{1371}{54.0}$	AAx1		$\frac{1371}{54.0}$
ABx1		$\frac{1371}{54.0}$	ACx4		
ADx2			AEx2		
AFx2			AGx1		
T1x1					



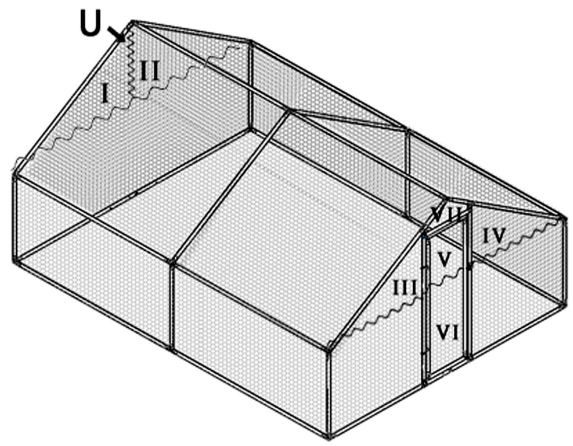
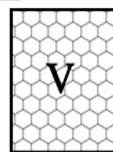
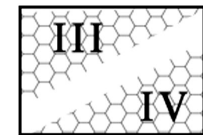
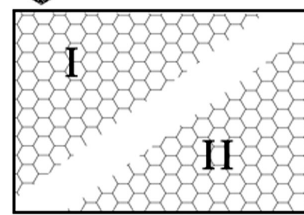
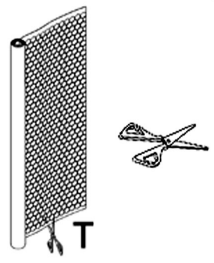
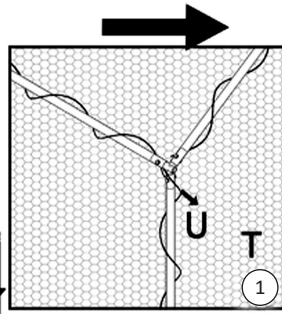
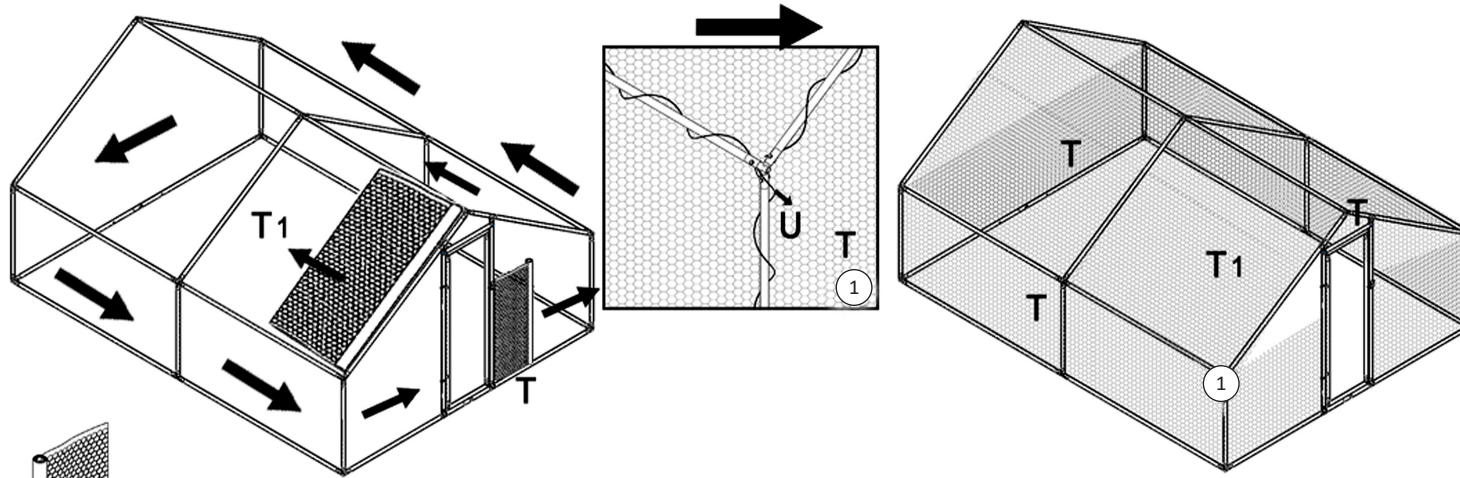
Ax4	
Bx4	
Cx4	
Dx2	
Yx1	
Zx1	
AAx1	
ABx1	
ACx4	
AEx2	
Ex20	

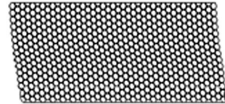
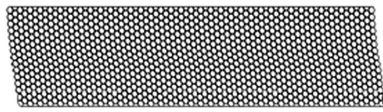



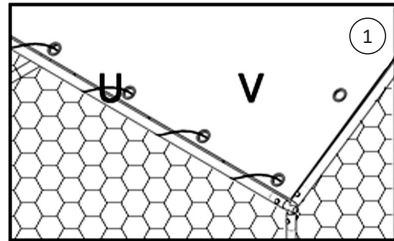
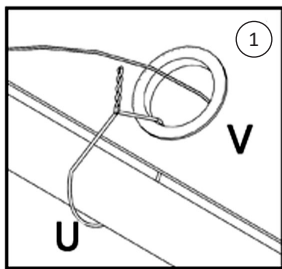
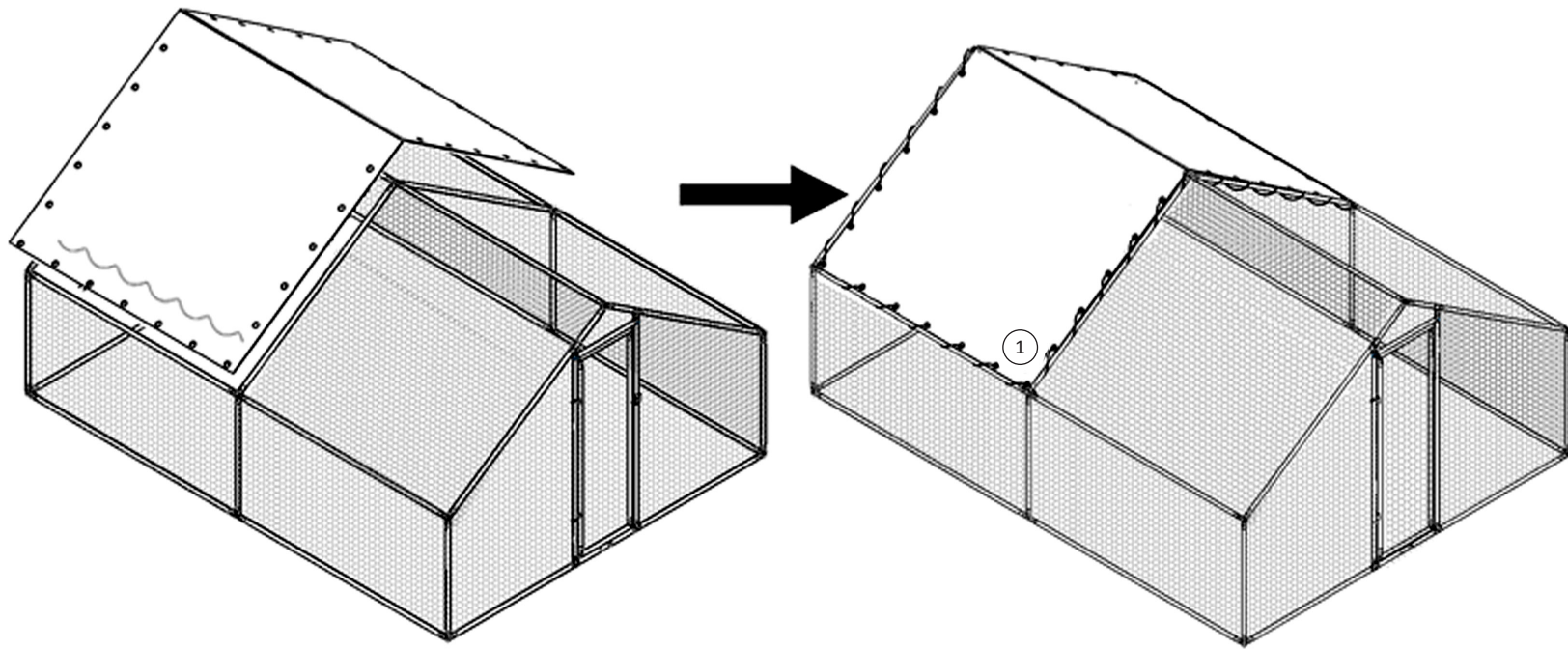
Ax6	
Bx6	
Dx4	
Fx2	
Gx4	
Hx4	
ADx2	
AFx2	
AGx1	
Ex40	



Ix2		Ox1	
Jx2		Px1	
Kx1		Qx2	
Lx1		Rx1	
Mx1		Sx2	
Nx4		Ex4	
Wx10			



Tx1	
T1x1	
Ux1	



Vx1	
Ux1	