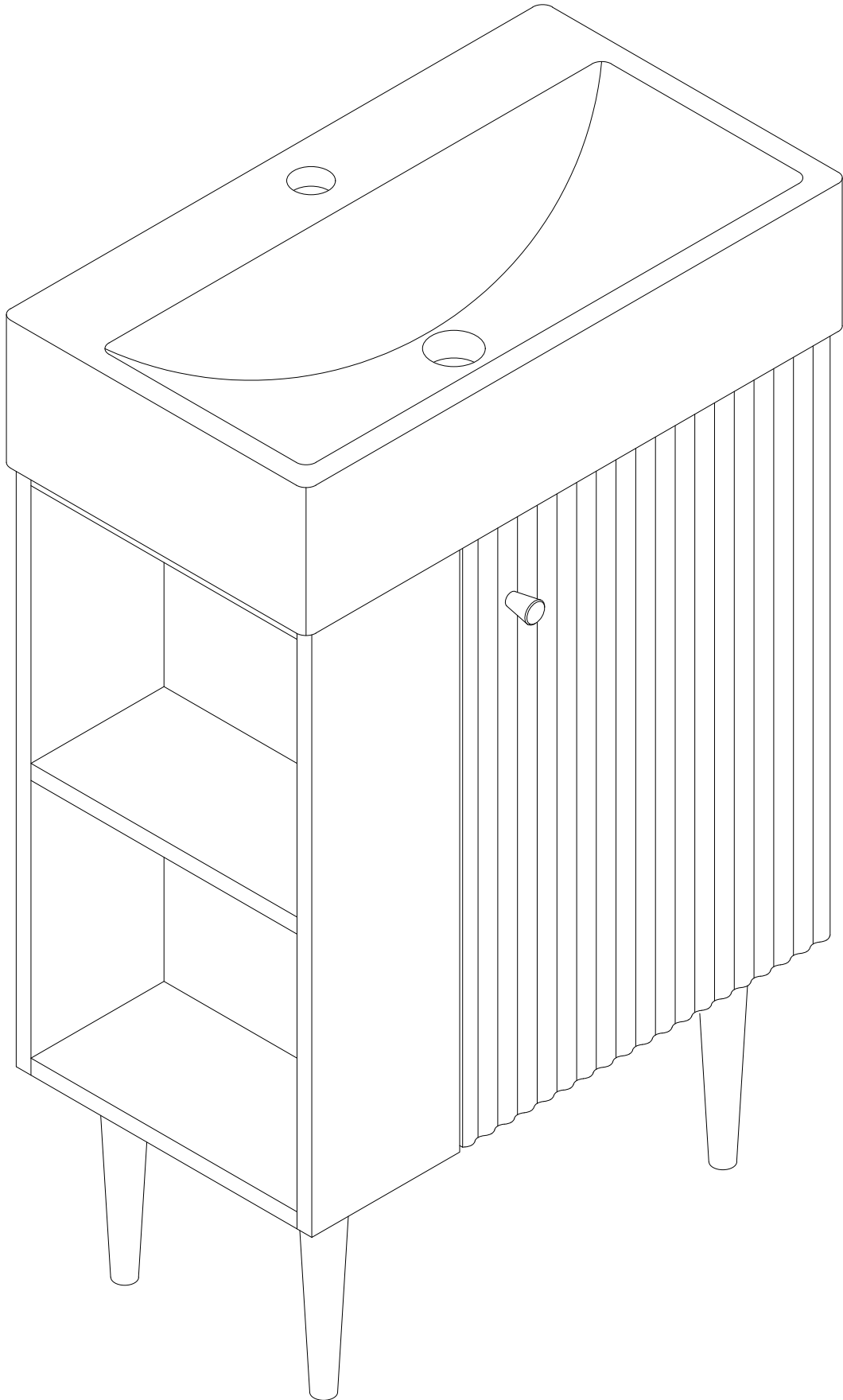
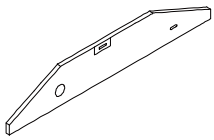


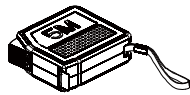
Instruction



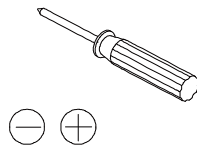
1



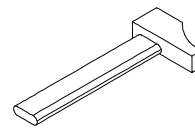
Spirit level



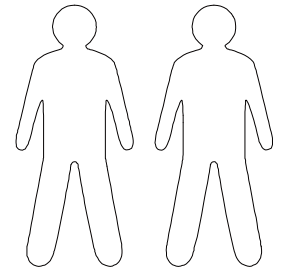
Tape measure



Screwdriver



Hammer



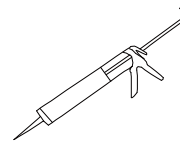
Drill



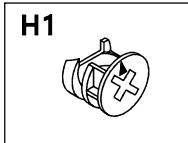
Drill bit
(Ø8)



Pencil

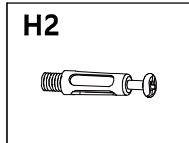


Silicone



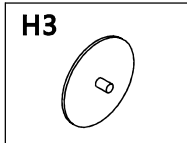
H1

23x



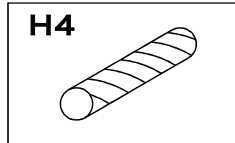
H2

23x



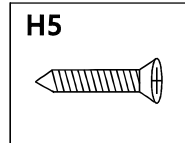
H3

23x



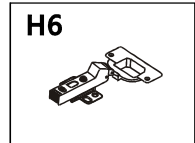
H4

8xØ8x30



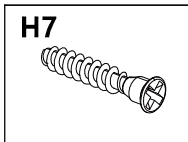
H5

48xM4x16



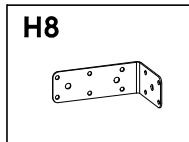
H6

2x



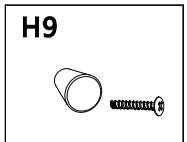
H7

2x



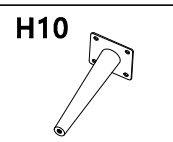
H8

2x



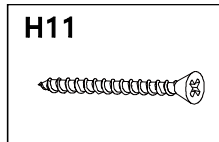
H9

1x



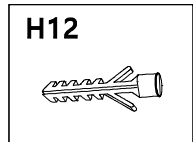
H10

4x



H11

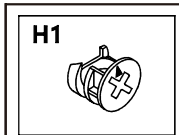
4xM4x70



H12

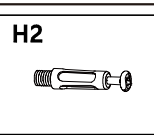
4xØ8x40

Stand-by Spareparts



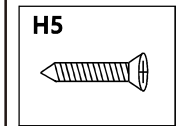
H1

2x



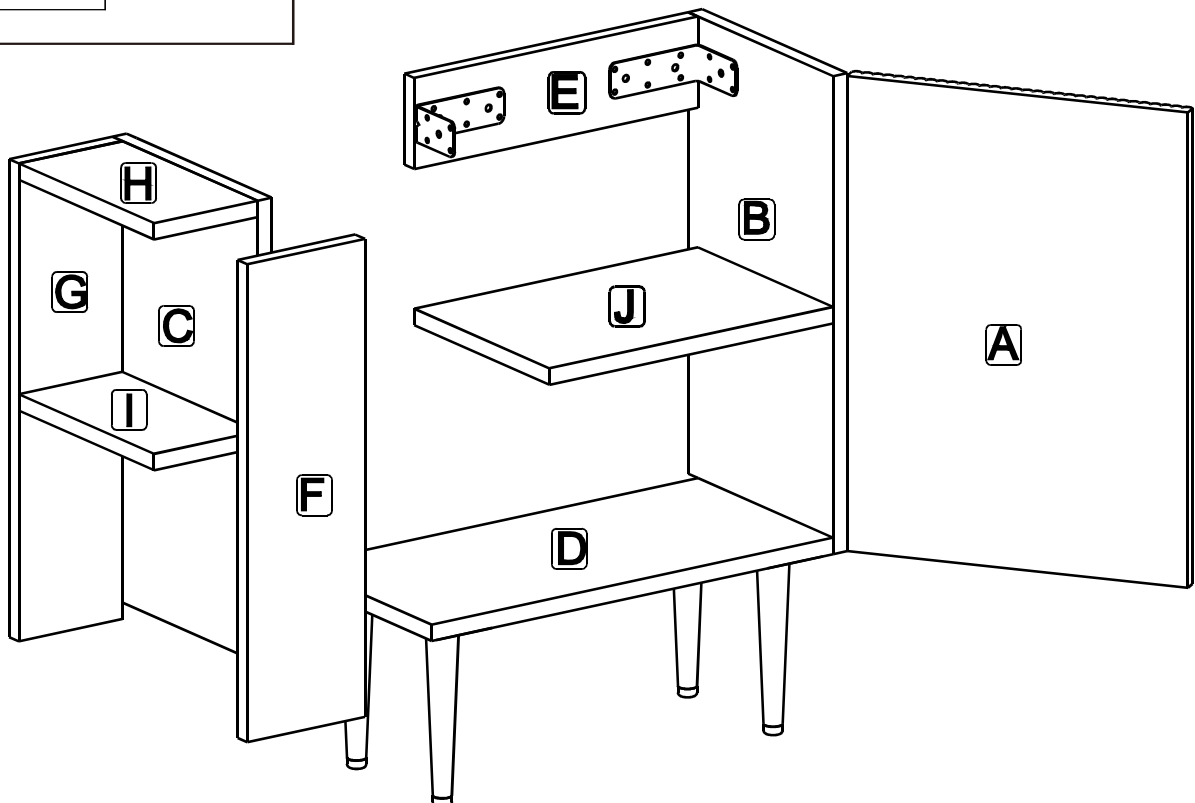
H2

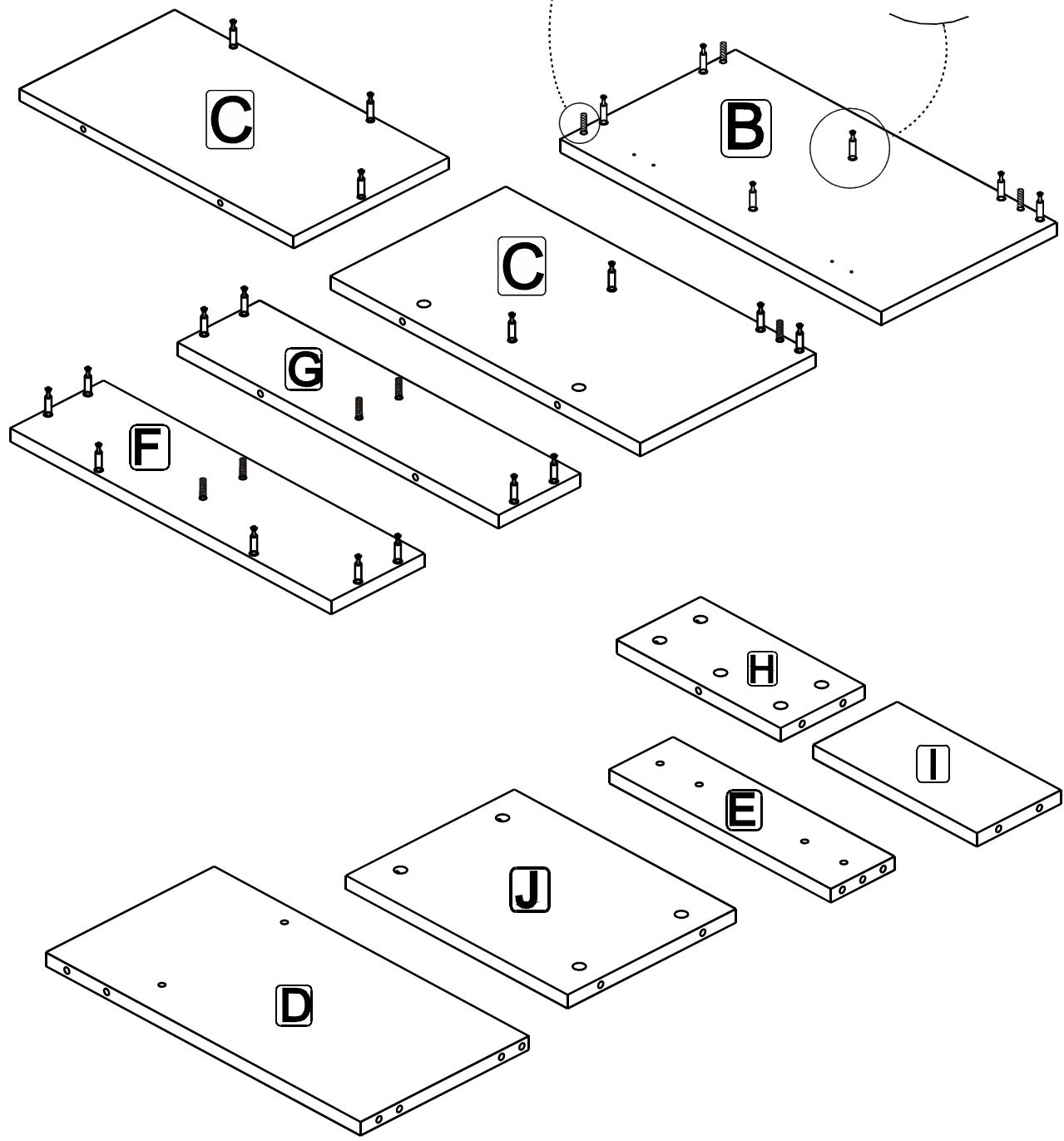
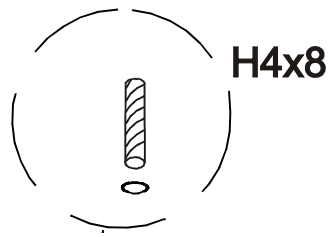
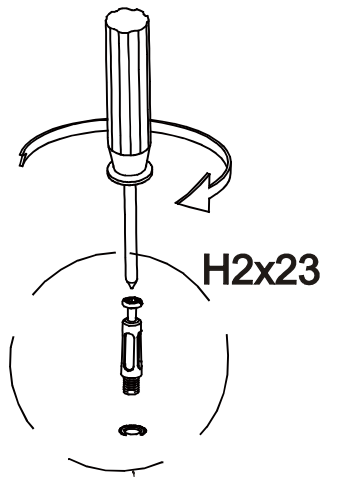
2x

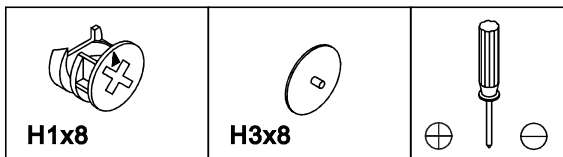
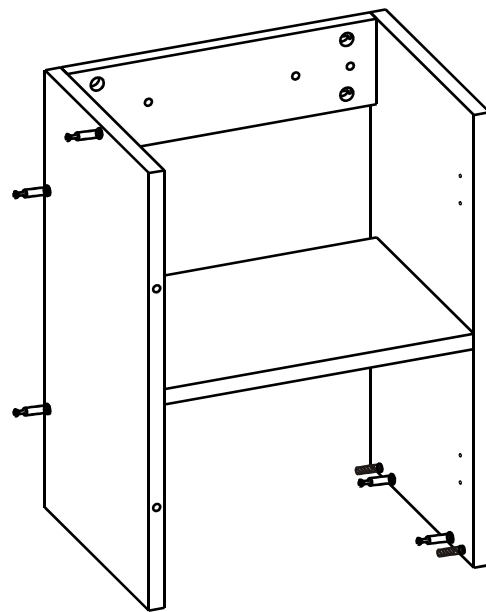
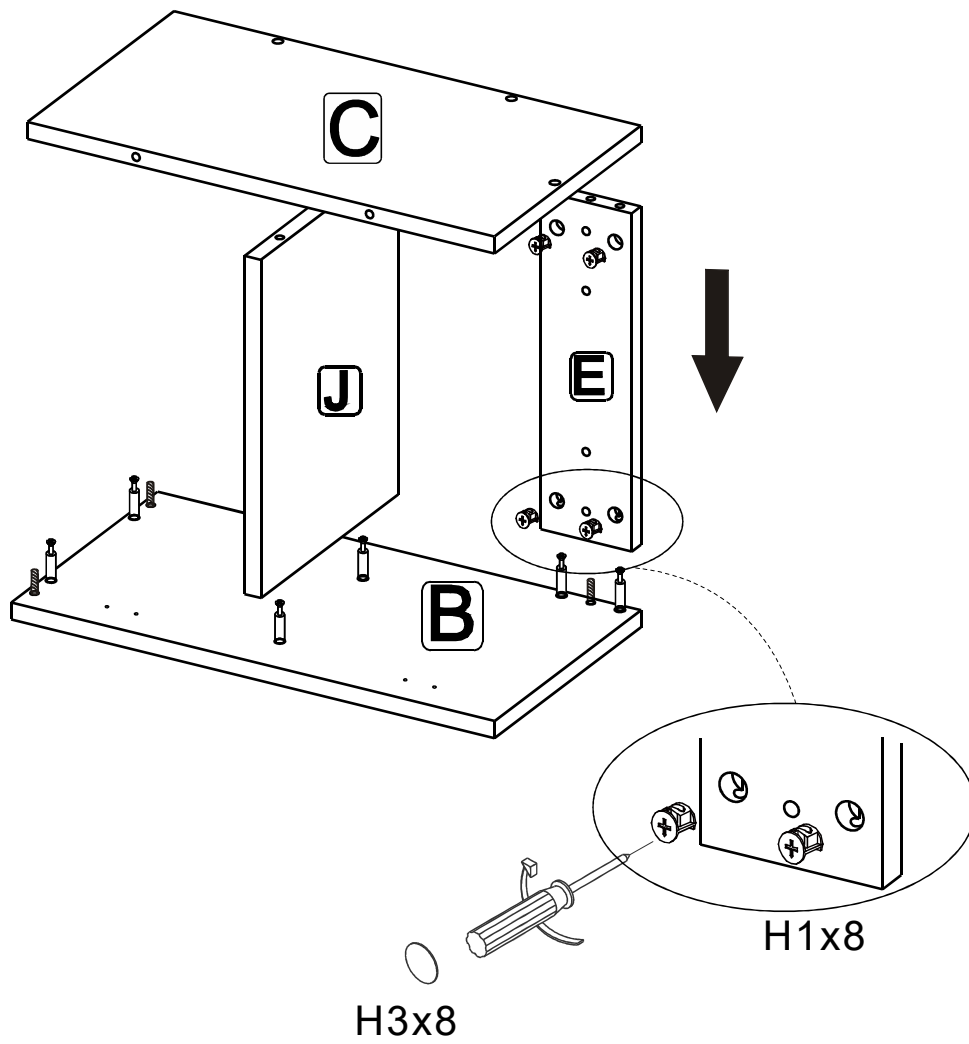


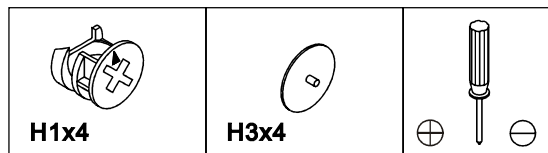
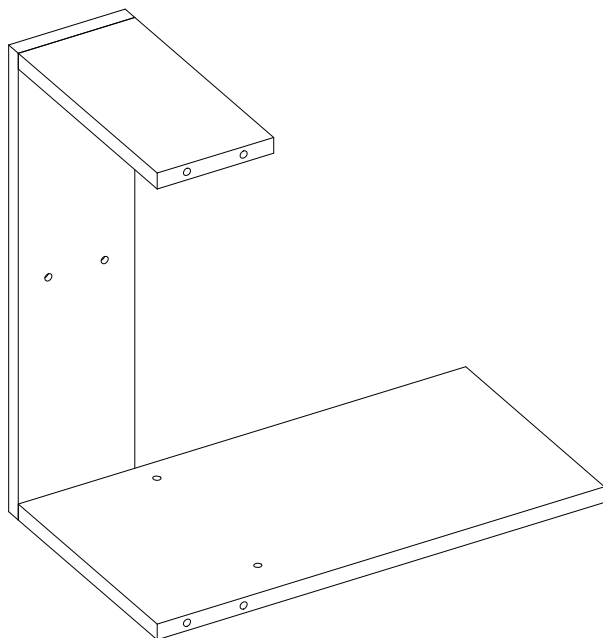
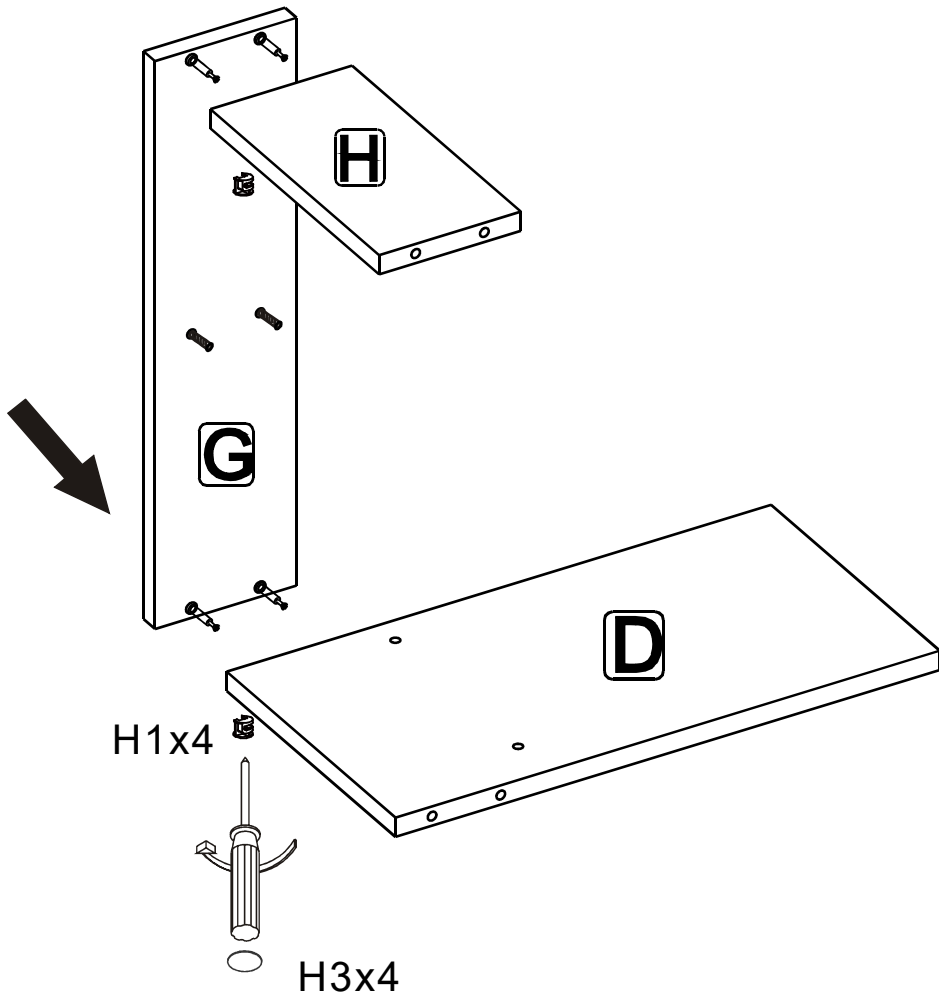
H5

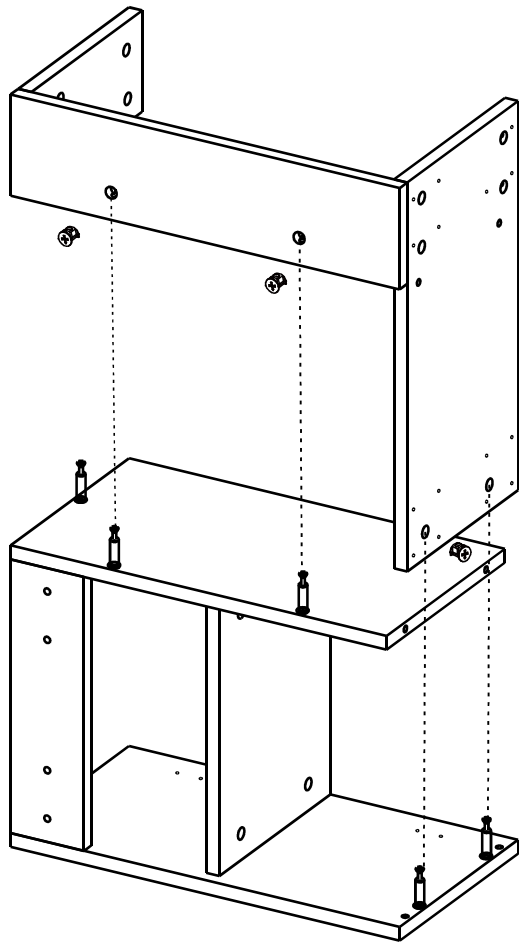
2x



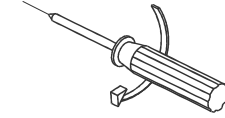




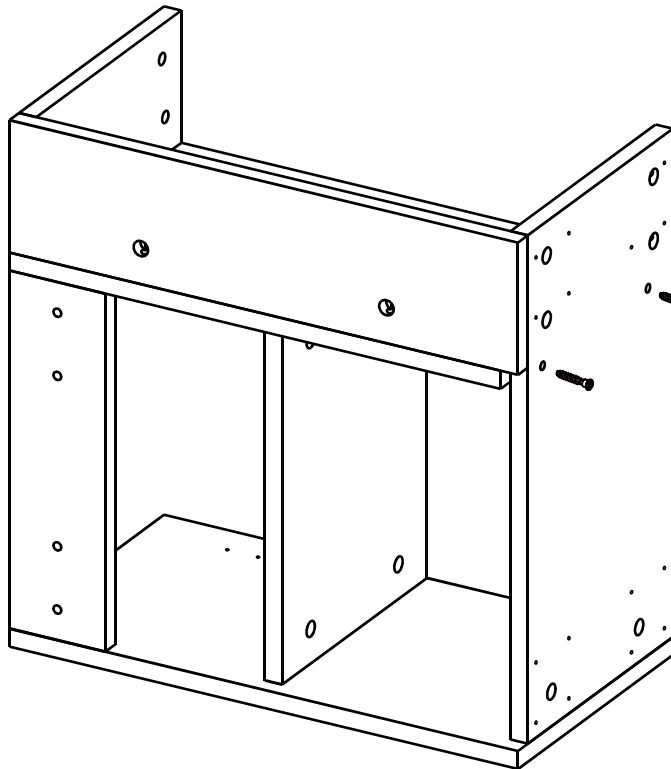




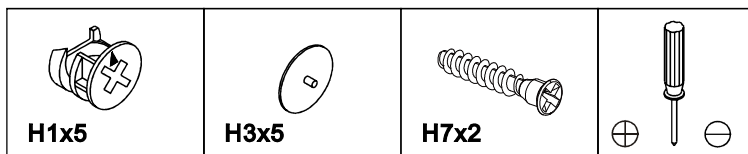
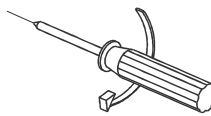
H1x5

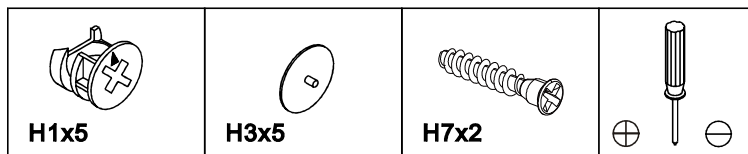
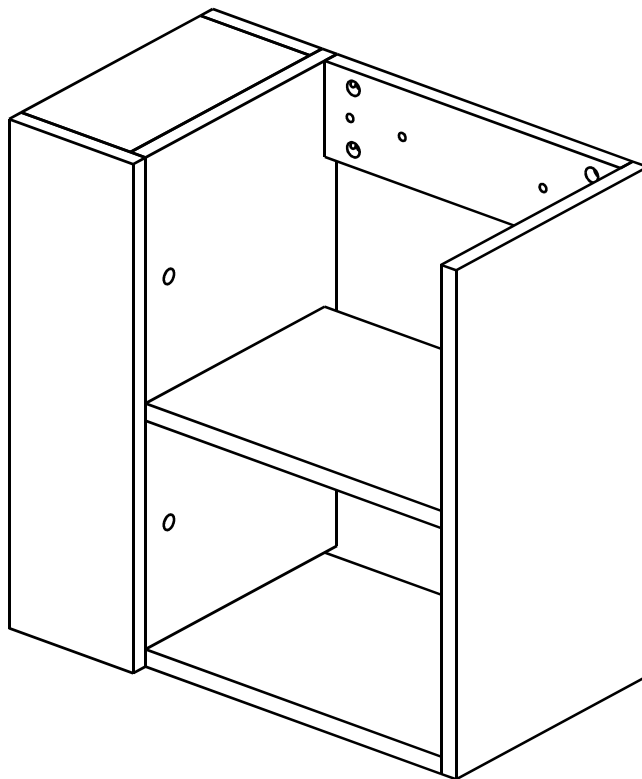
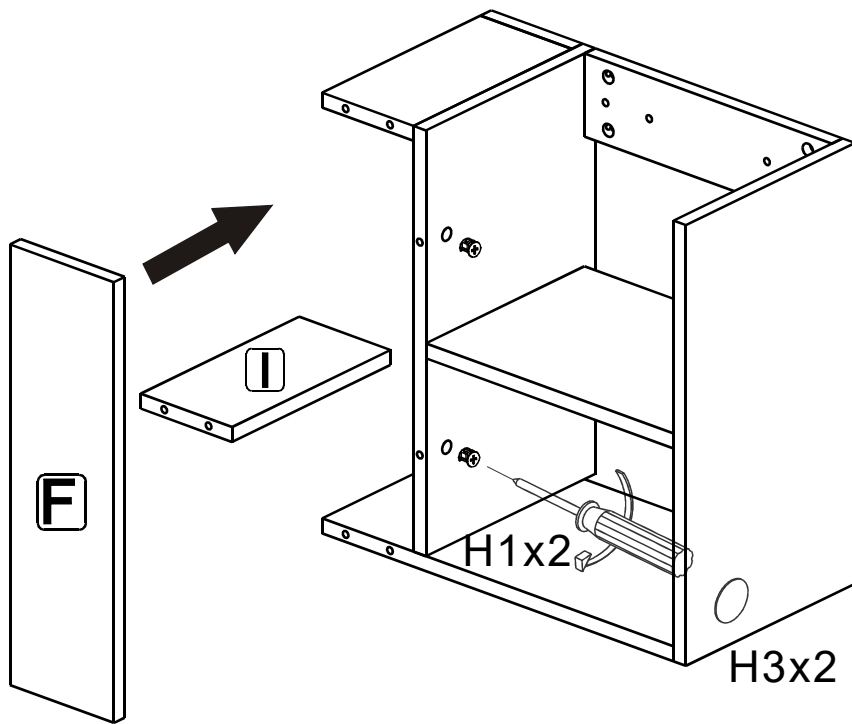


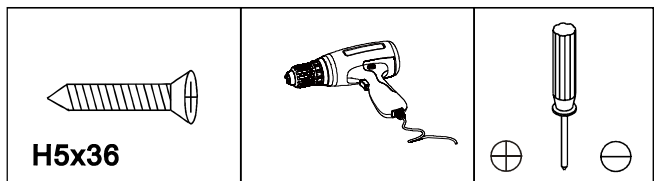
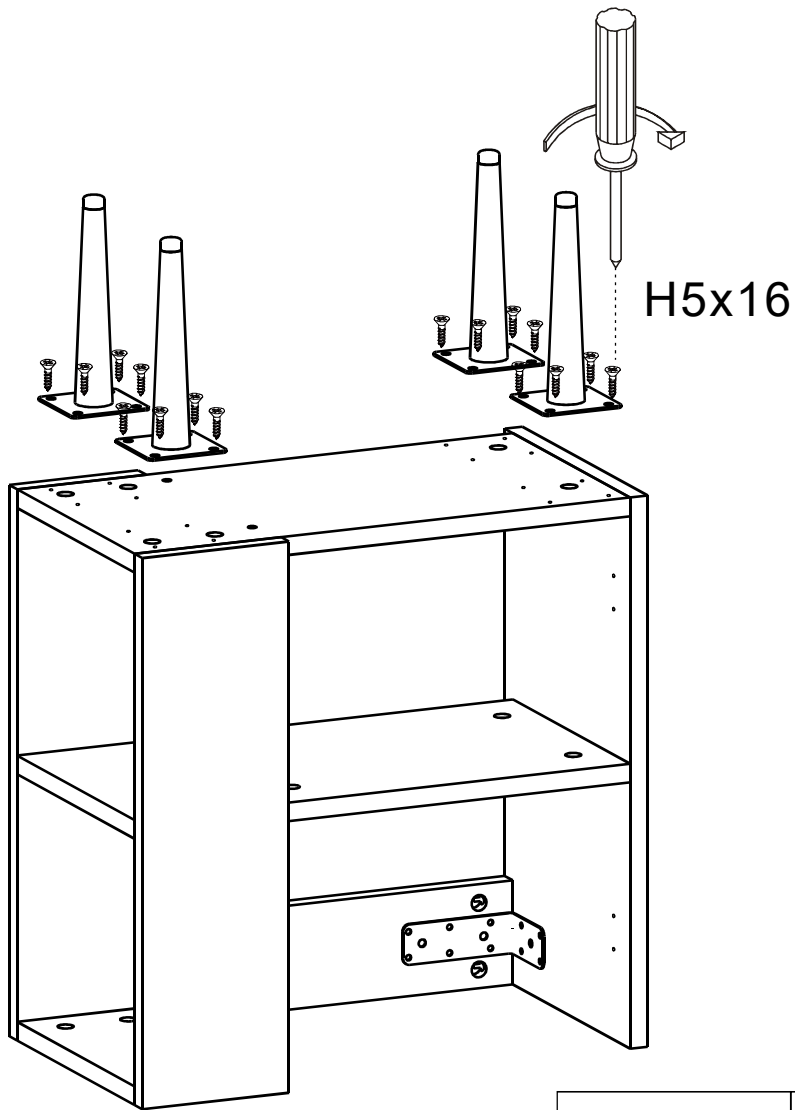
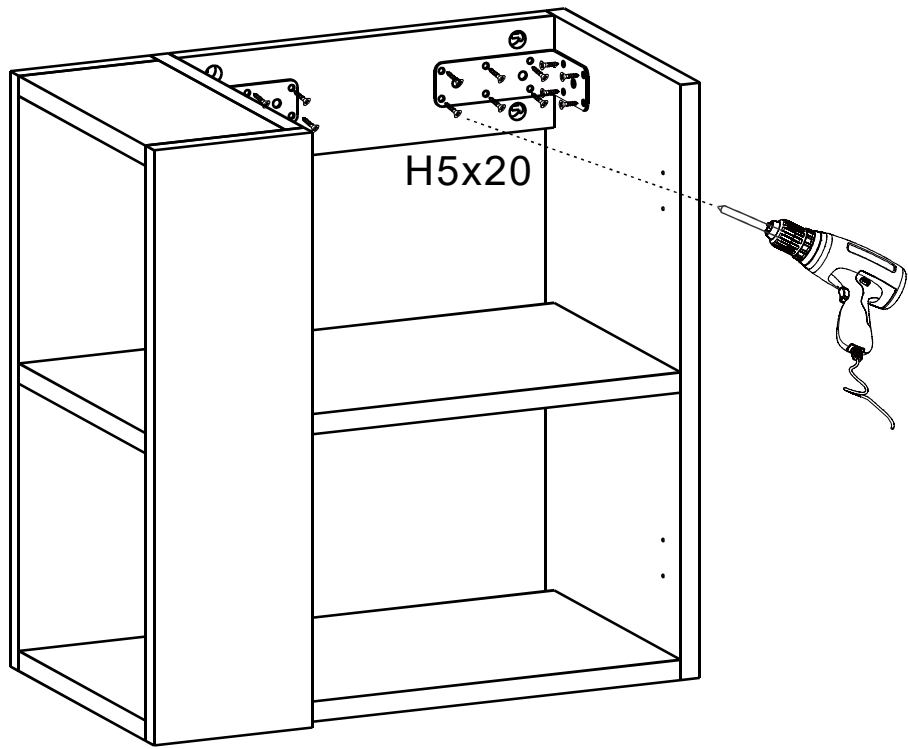
H3x5

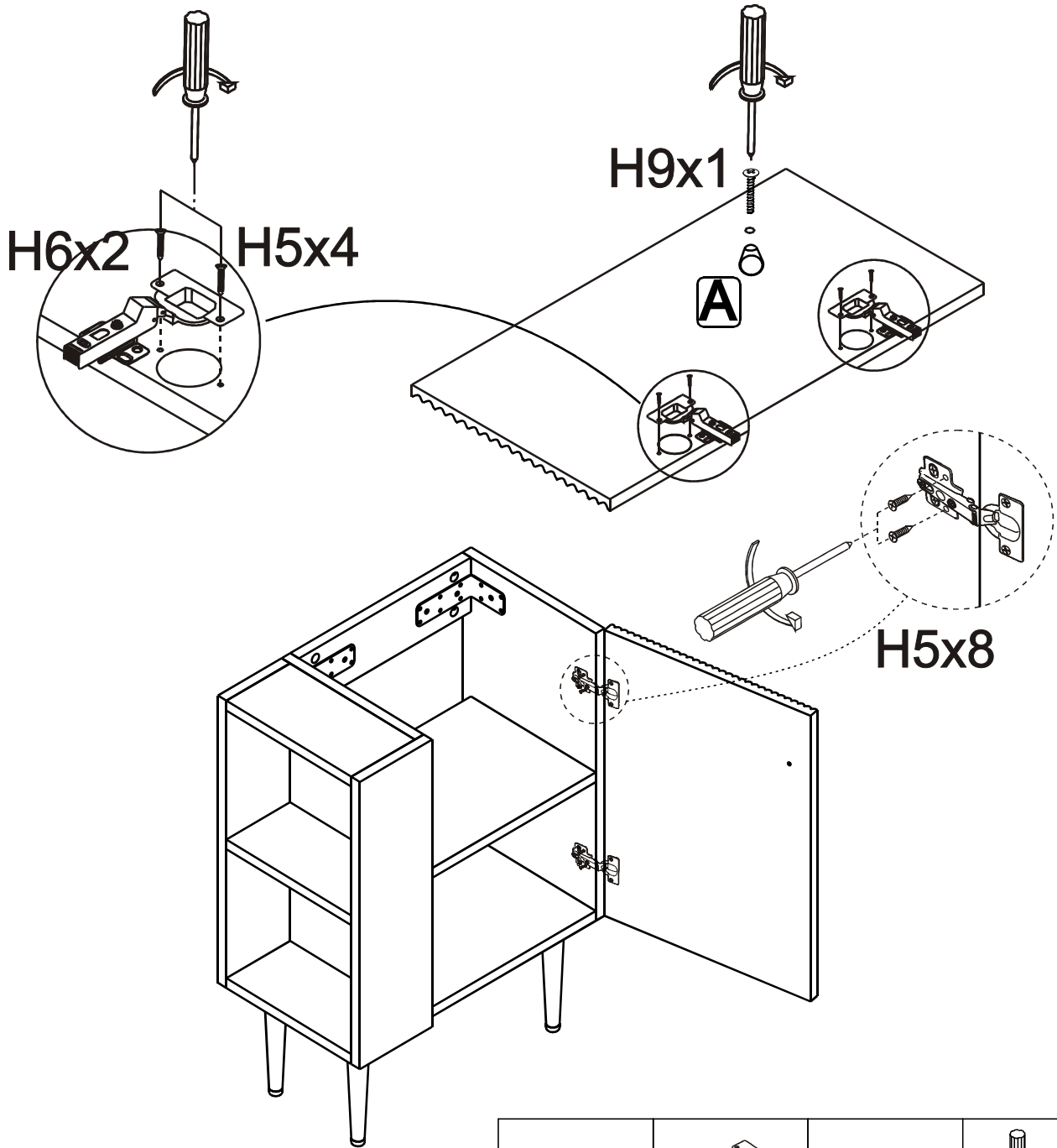








H7x2



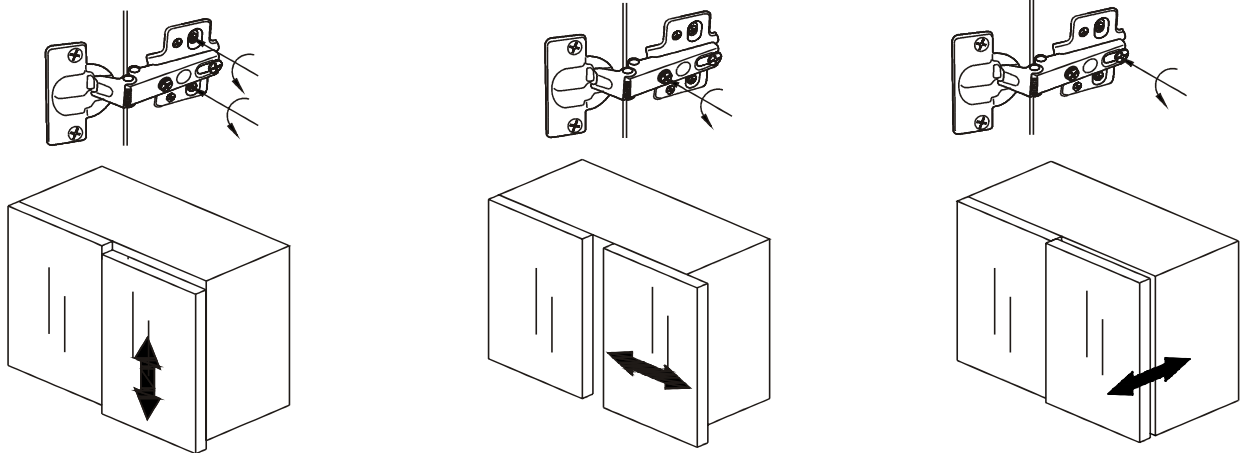


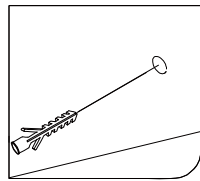
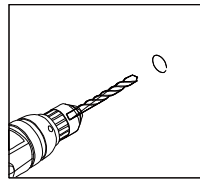
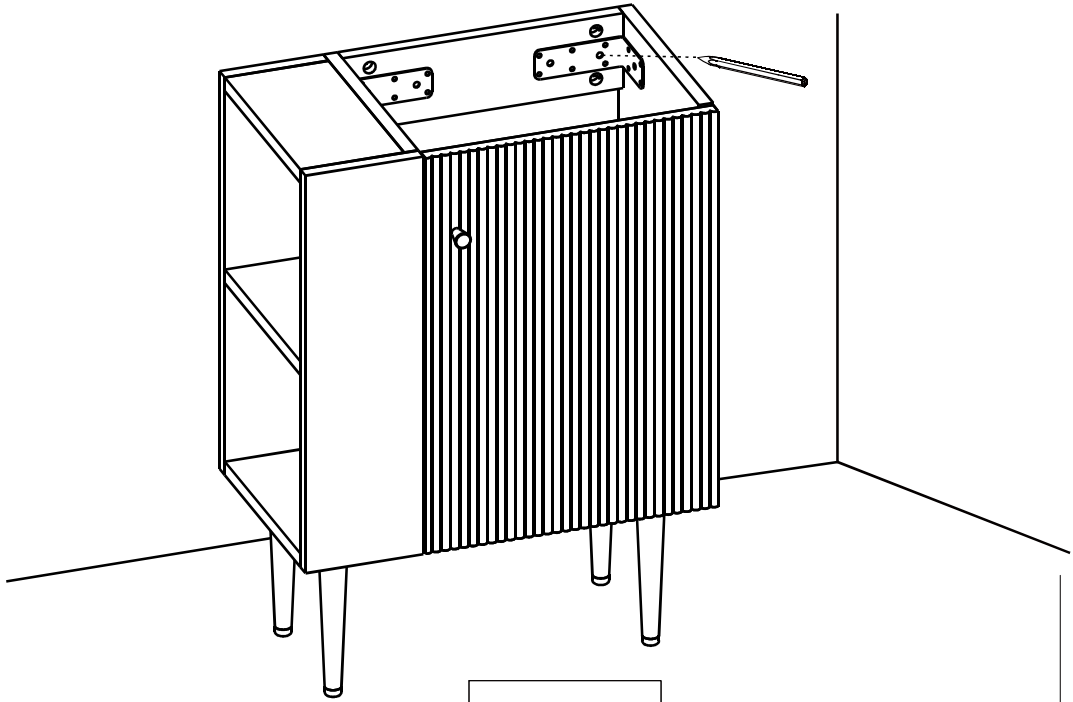




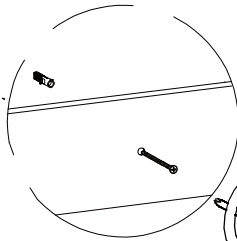
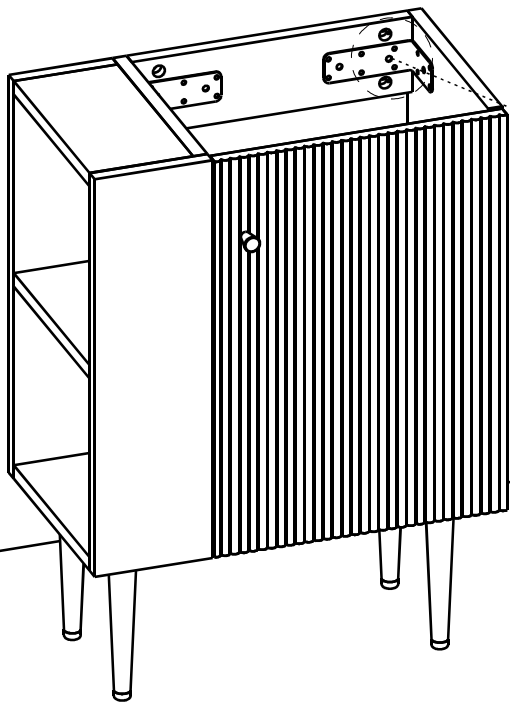
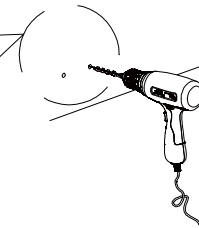
 H5x12	 H6x2	 H9x1	  
---	---	--	---

REGLAGES DES PORTES

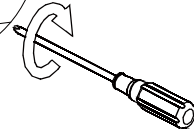





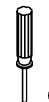


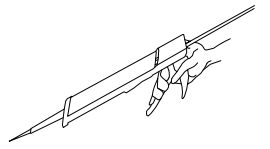
H12x4



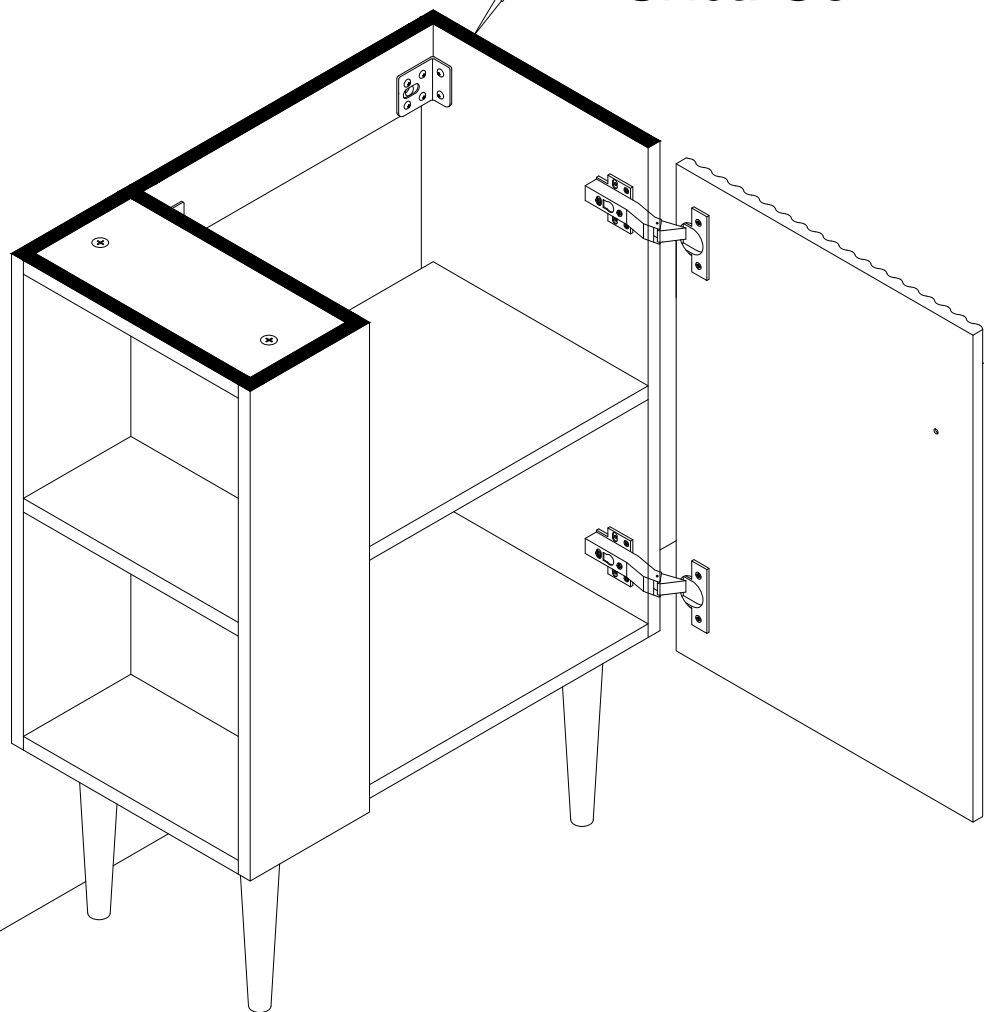
H11x4

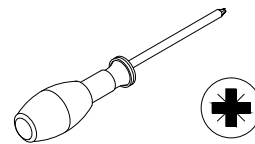


 H11x4	 H12x4		 ⊕ ⊖
---	--	---	--



Silica Gel





Wall

