
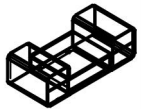
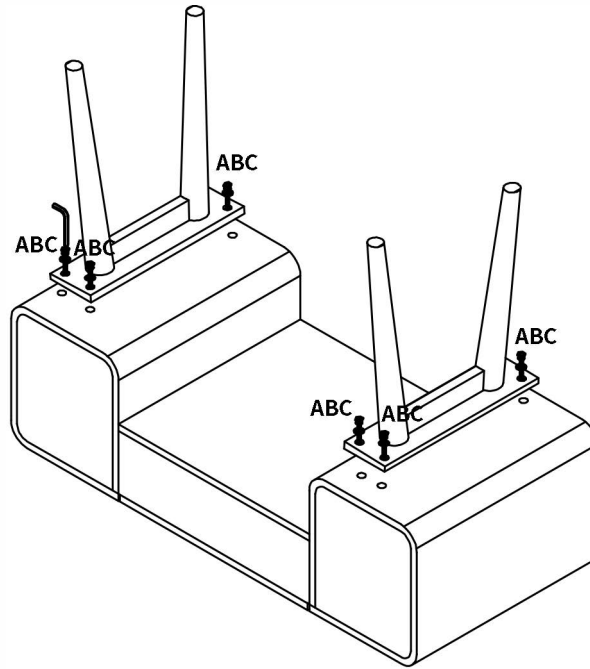





DESSINGTABLEINSTALLATIONDIAGRAM

| NO. | Parts | Quantity |
|-----|---|----------|
| ① |  | 2 |
| ② |  | 1 |

STEP 1



STEP 2

| NO. | Parts | Quantity |
|-----|--|----------|
| A |  | Φ8x25=8 |
| B |  | Φ8=8 |
| C |  | Φ8=8 |

