

*ASSEMBLY INSTRUCTIONS*  
*COASTER FINE FURNITURE*



*Fine Furniture for every stage of life*

**205330Q(B1-B3)**  
***Queen Storage Bed***

# ITEM: 205330Q(B1-B3)



## ASSEMBLY INSTRUCTIONS

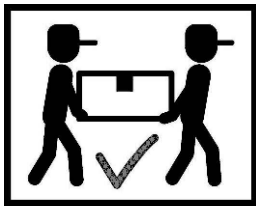
### ASSEMBLY TIPS:

1. Remove hardware from box and sort by size.
2. Please check to see that all hardware and parts are present prior to start of assembly.
3. Please follow attached instructions in the same sequence as numbered to assure fast & easy assembly.



### WARNING!

1. Don't attempt to repair or modify parts that are broken or defective. Please contact the store immediately.
2. This product is for home use only and not intended for commercial establishments.



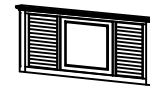
ASSEMBLY TIME

30 MINUTES

## PARTS IDENTIFICATION

### B1 (BOX 1)

- A HEADBOARD PANEL
- B LEFT HEADBOARD LEG
- C RIGHT HEADBOARD LEG
- D HEADBOARD BOTTOM RAIL



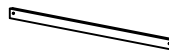
1PC



1PC



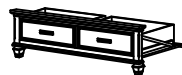
1PC



1PC

### B2 (BOX 2)

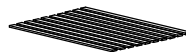
- E STORAGE FOOTBOARD
- F DRAWER SUPPORT LEG WITH LEVELER
- G ROLL SLAT (10PCS)



1PC



2PCS



1SET

### B3 (BOX 3)

- H LEFT BED RAIL
- I RIGHT BED RAIL
- J CENTER RAIL
- K CENTER RAIL SUPPORT WITH LEVELER
- L CONCEAL PANEL



1PC



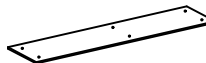
1PC



1PC

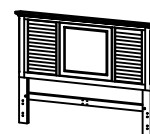


2PCS



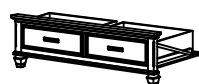
4PCS

- HB 205330Q (B1)  
FROM BOX 1  
HEADBOARD COMPLETE



1PC

- FB 205330Q (B2)  
FROM BOX 2  
STORAGE FOOTBOARD  
COMPLETE



1PC

# ITEM: 205330Q(B1-B3)



## ASSEMBLY INSTRUCTIONS

### ASSEMBLY TIPS:

1. Remove hardware from box and sort by size.
2. Please check to see that all hardware and parts are present prior to start of assembly.
3. Please follow attached instructions in the same sequence as numbered to assure fast & easy assembly.



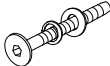











### WARNING!

1. Don't attempt to repair or modify parts that are broken or defective. Please contact the store immediately.
2. This product is for home use only and not intended for commercial establishments.

## HARDWARE IDENTIFICATION

### Z-B3 (BOX 3) - HARDWARE PACK IS LOCATED IN 205330Q(B3)

1	<b>ALLEN WRENCH</b> (M4 x 110mm - BLK)		1PC
2	<b>SHORT BOLT</b> (M6 x 50mm - BLK)		16PCS
3	<b>LONG BOLT</b> (M6 x 70mm - BLK)		4PCS
4	<b>WOOD DOWEL</b> (M8 x 30mm)		4PCS
5	<b>SHORT PAN HEAD SCREW</b> (M4 x 12mm - BLK)		24PCS
6	<b>LONG PAN HEAD SCREW</b> (M4 x 16mm - RBW)		6PCS
7	<b>SHORT FLAT HEAD SCREW</b> (M4 x 20mm - BLK)		8PCS
8	<b>LONG FLAT HEAD SCREW</b> (#8 x 1 1/8" - BLK)		20PCS
9	<b>L BRACKET</b> (BKT-4HC-01(2.0mm) - RBW)		2PCS
10	<b>HEX NUT</b> (M6 - RBW)		2PCS
11	<b>U BRACKET</b> (26 x 63 x 70mm - RBW)		2PCS
12	<b>WRENCH</b> (2 x 24.5 x 85 - RBW)		1PC

### NOTE:

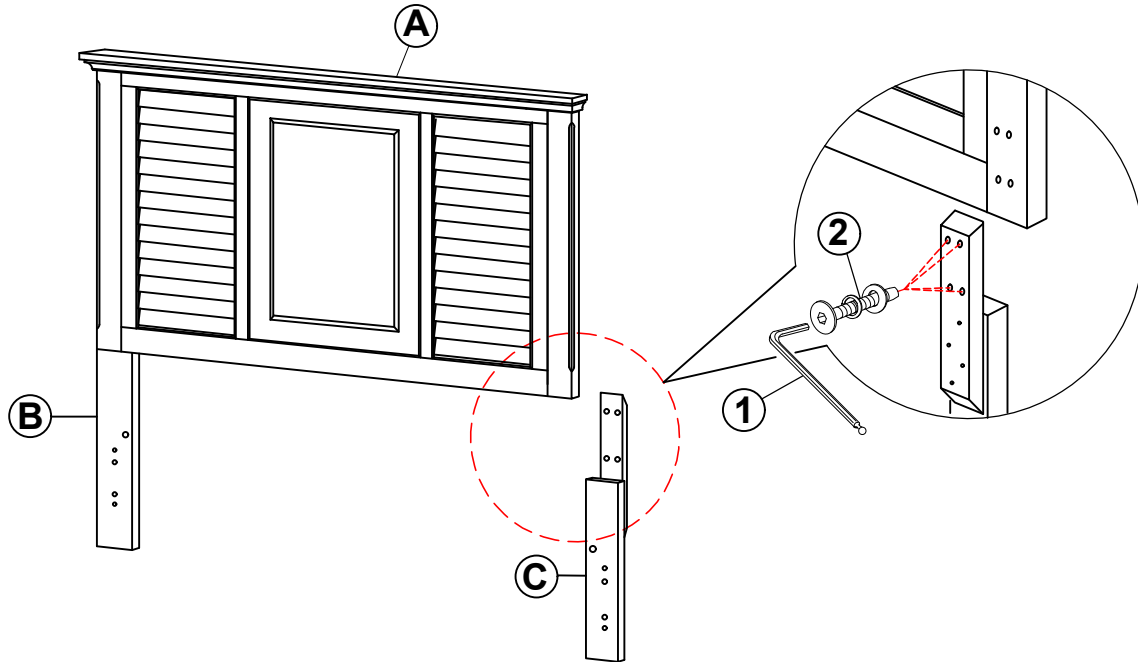
Phillips head screw driver is required in the assembly process; however, manufacturer does not provide this item.

ITEM: **205330Q(B1-B3)**

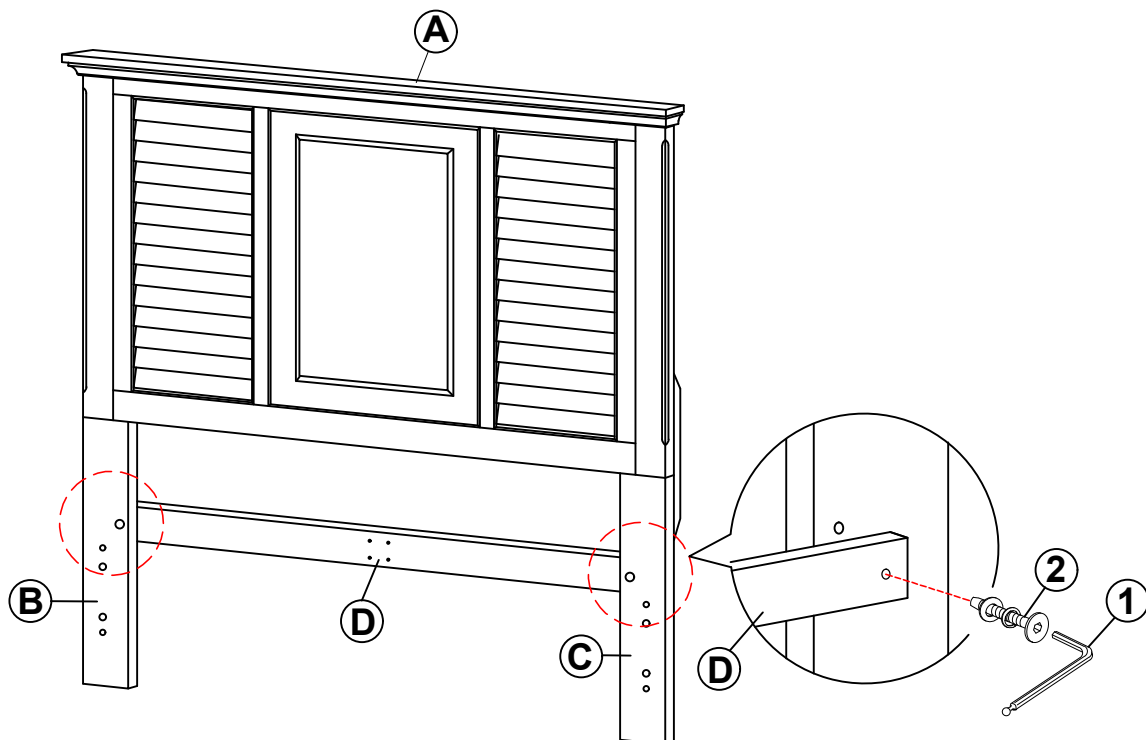


**ASSEMBLY INSTRUCTIONS**

**STEP 1**



**STEP 2**

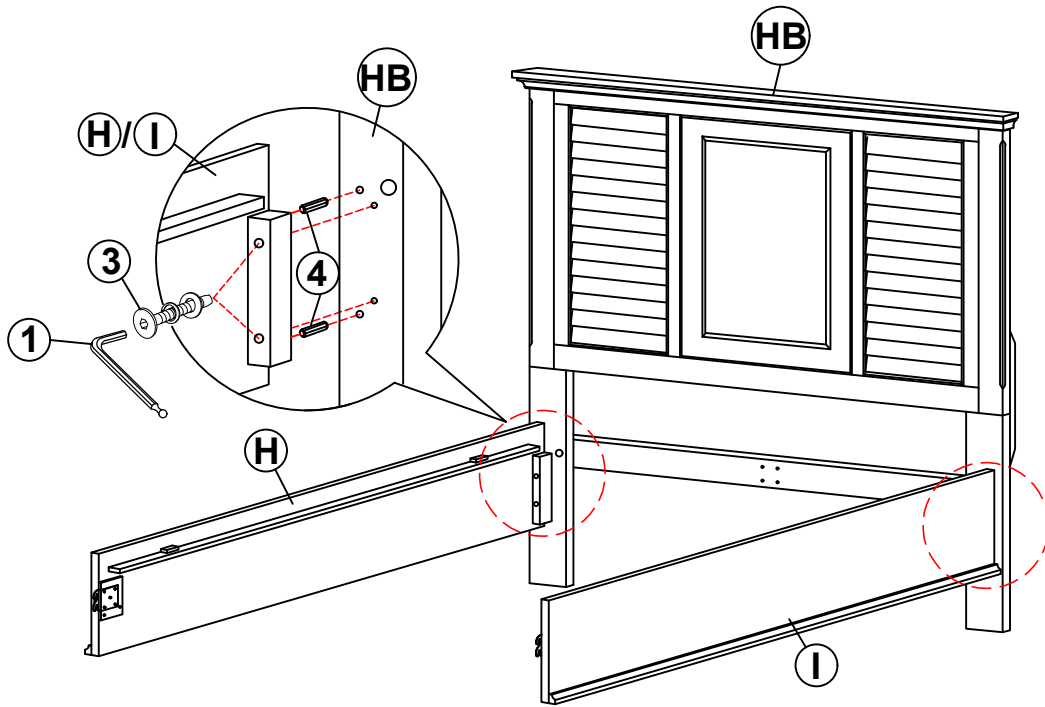


ITEM: **205330Q(B1-B3)**

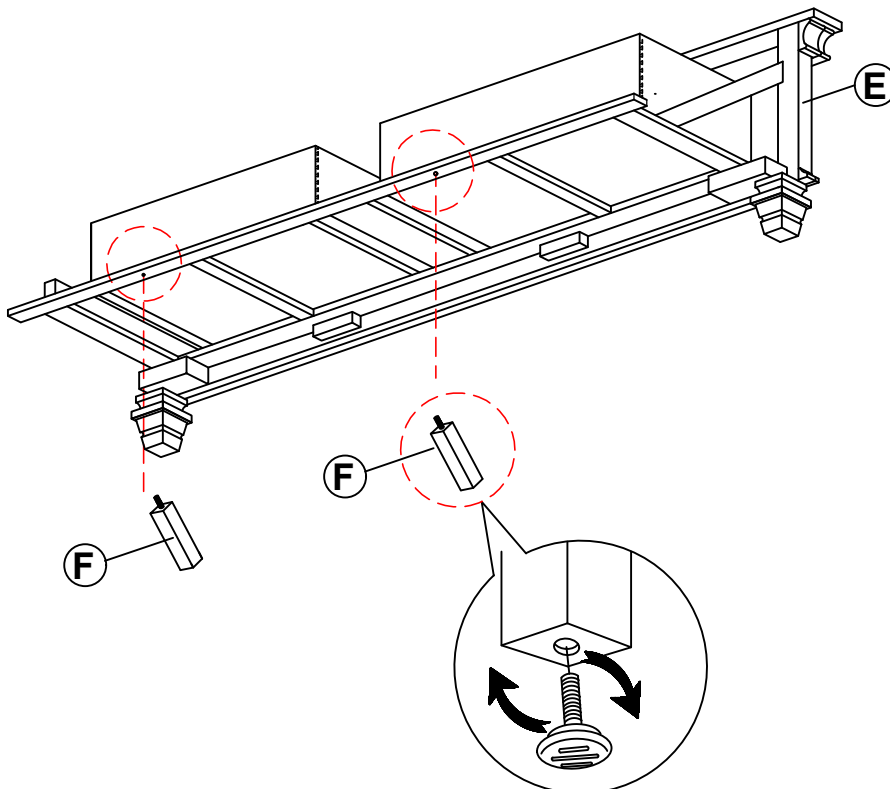


**ASSEMBLY INSTRUCTIONS**

**STEP 3**



**STEP 4**



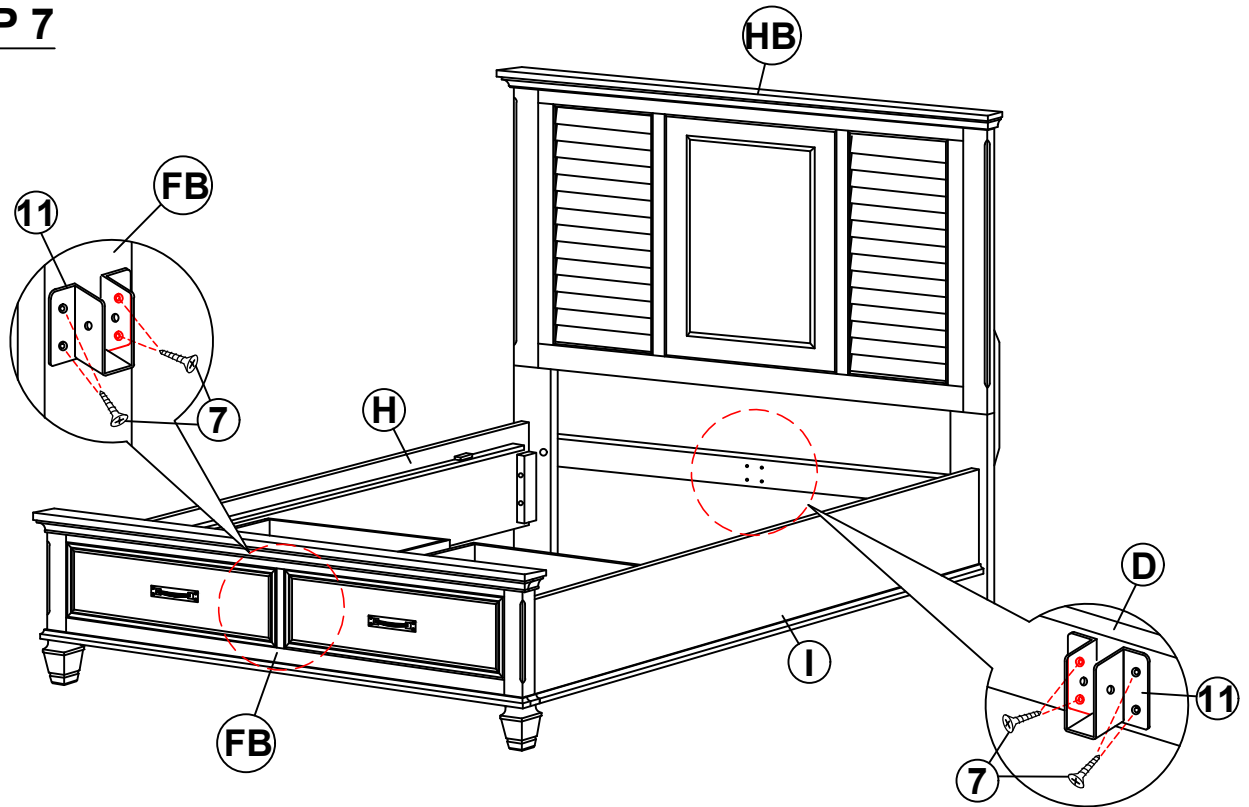


ITEM: **205330Q(B1-B3)**

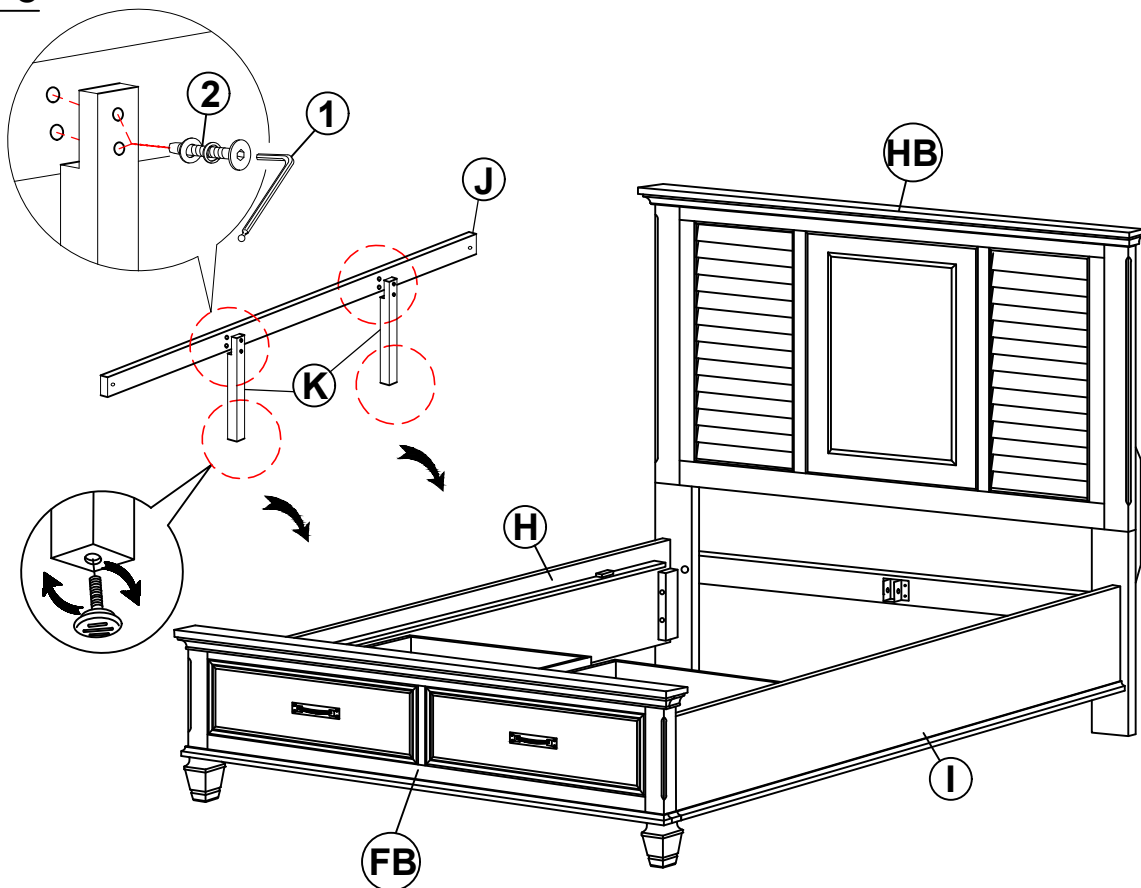


**ASSEMBLY INSTRUCTIONS**

**STEP 7**



**STEP 8**

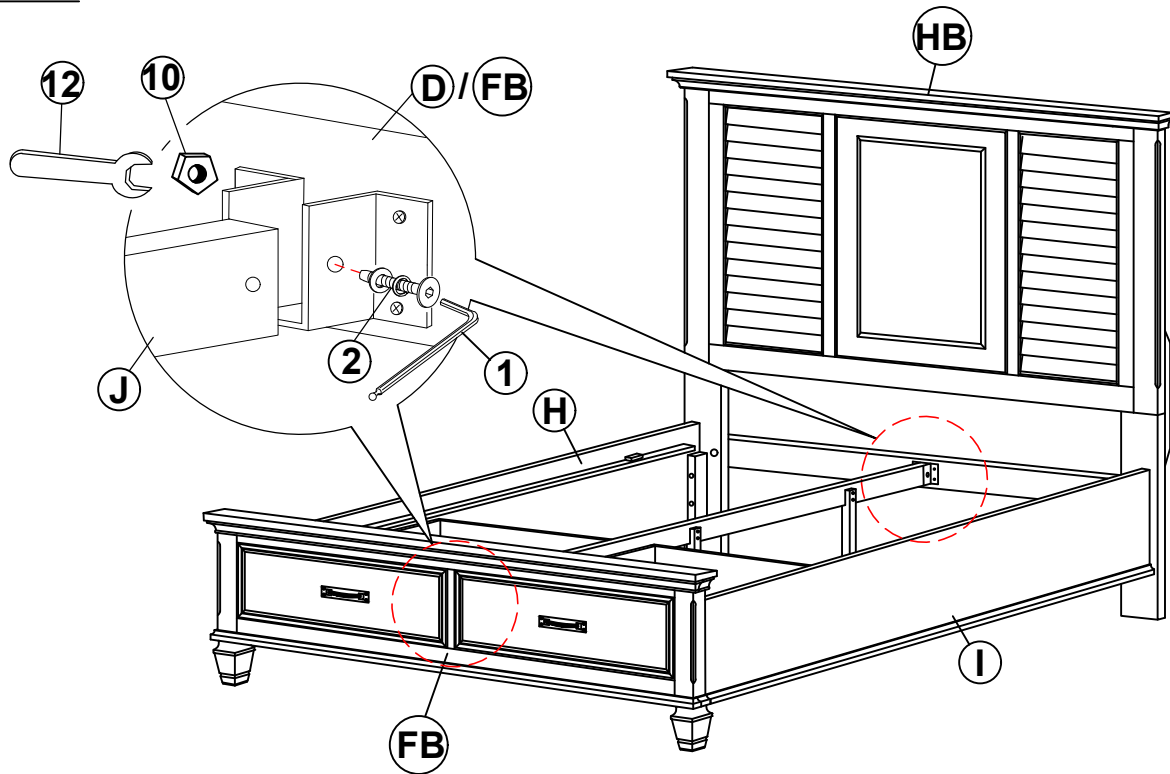


ITEM: **205330Q(B1-B3)**

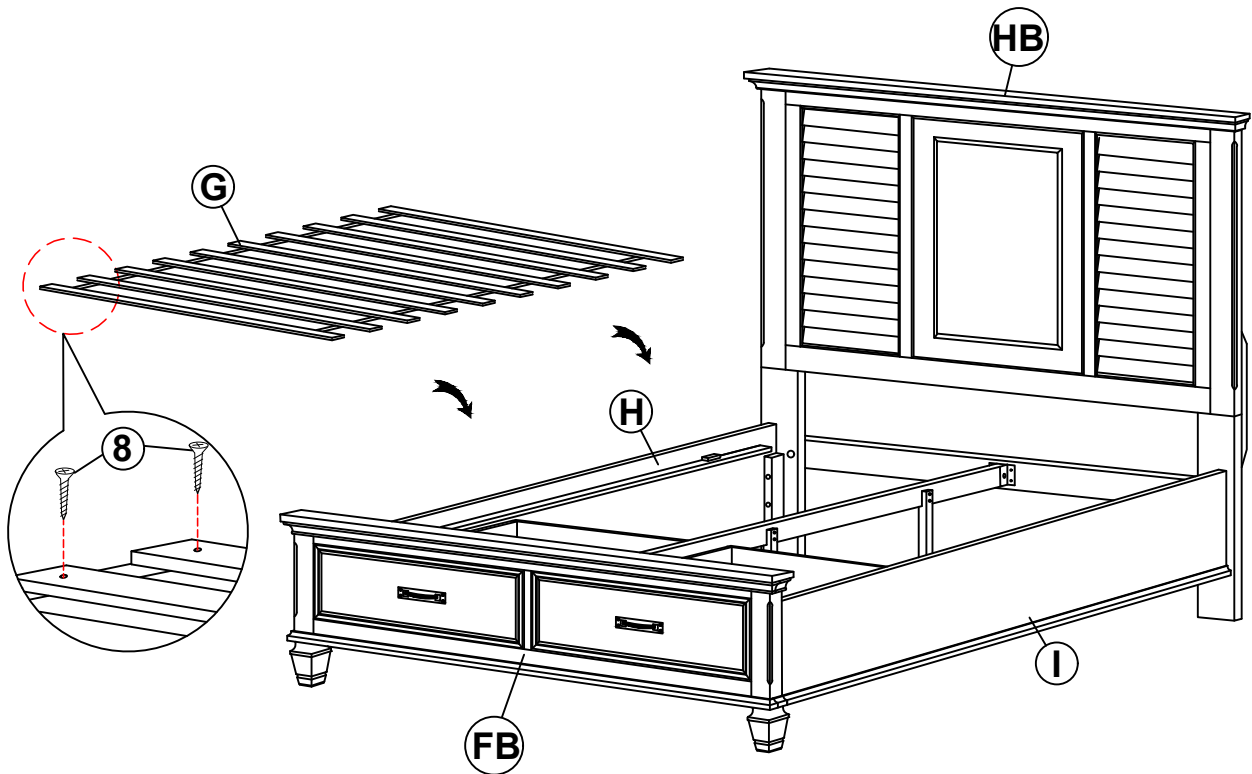


**ASSEMBLY INSTRUCTIONS**

**STEP 9**



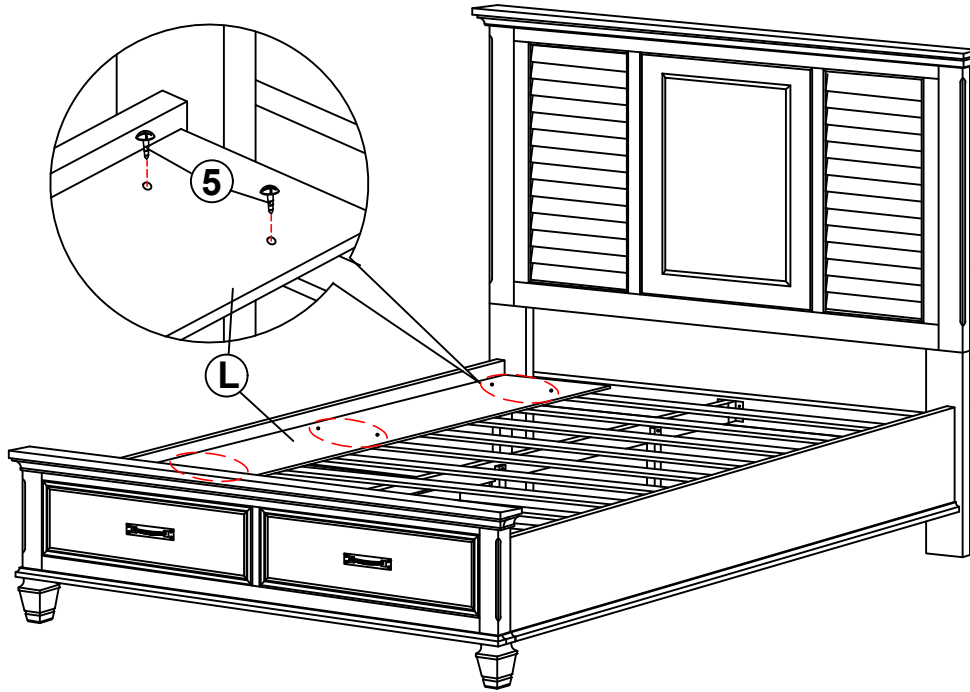
**STEP 10**



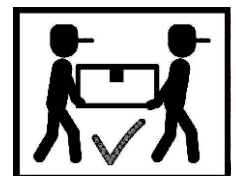
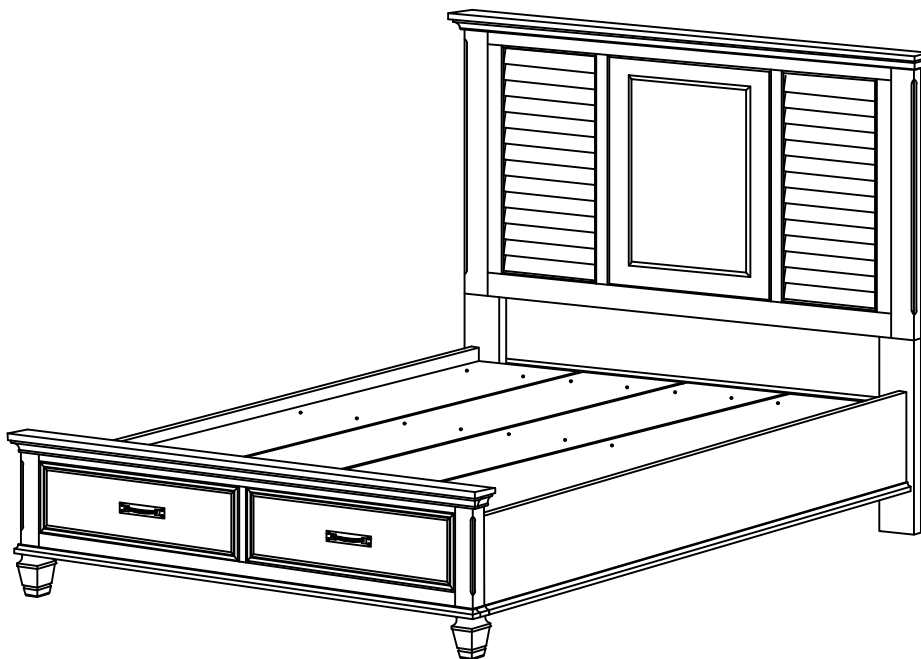
ITEM: **205330Q(B1-B3)**



**ASSEMBLY INSTRUCTIONS**  
**STEP 11**



**STEP 12**  
**COMPLETE**

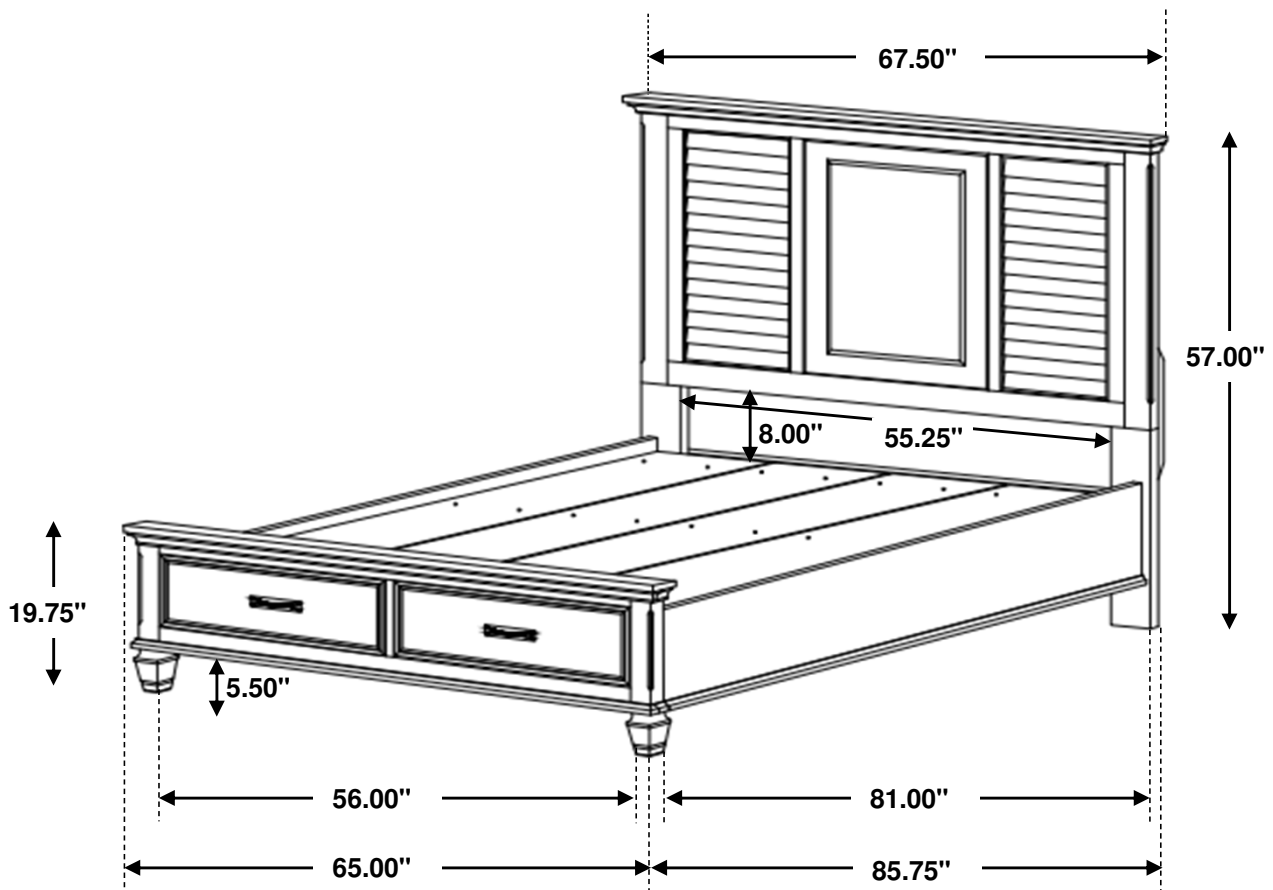


ITEM: **205330Q(B1-B3)**



Inner Size : 61.00"W X 81.00"D

Inner Size of Drawer : 5.75"W X 18.75"D X 24.00"H X 0.50"T



Note : Dimension tolerance  $\pm 5\%$