



ROCKING CHAIR

SAFETY & WARNINGS

Warning

- Do not put HOT items directly on furniture surface.
- Do not clean furniture with HARSH cleansers or polish.
- Do not place furniture under DIRECT sunlight.
- Do not place furniture near heating or cooling vents.
- Do not write on furniture without a padded barrier to protect the surface.
- For indoor use only. Do not place furniture outside.
- For residential use only. Not for commercial use.
- Stains may be removed with mild soap solution and damp cloth.
- Dust and pick up spills using a clean, non-colored, lint-free cloth.

Safety Information

- Identify all the parts and hardware.
- Do not discard of the packaging until you have checked that you have all of the parts and hardware required.
- Hardware package may have spare parts.
- Attention! This item contains small parts which can be swallowed by children and pets.
- Keep children and pets away during assembly.
- To avoid danger of suffocation, always keep plastic bags away from children and pets.
- We recommend that you assemble this unit on a carpeted floor to avoid scratches.
- We do not recommend the use of power tools for assembly as this could damage the unit. Only use manual tools.

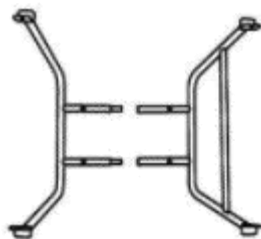
COMPONENT



A: Seat Back (x1)



B: Seat Cushion (x1)



C: Front Support (x1)
Rear Support (x1)



D: Left Leg (x1)
Right Leg (x1)



E: Washer (x2)



F: Long Screw (x2)
M8*55mm



G: Short Screw (x8)
M6*30mm

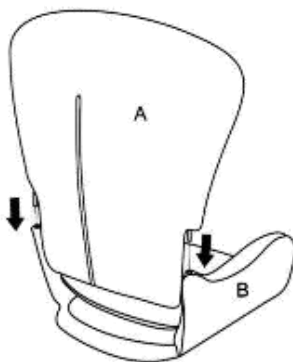


H: Allen Key (x1)

INSTALLATION

Step 1

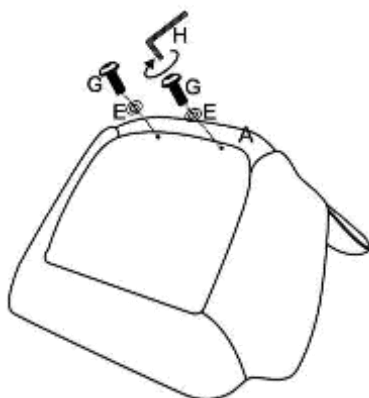
Attach the seat back (A) to the seat cushion (B) by pushing down as shown.



Step 2

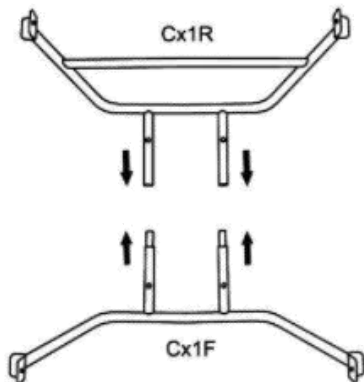
Put the chair upside down on a clean floor. Fasten the seat back (A) and the seat cushion (B) with washers (E) and short screws (G) using the Allen key (H).

Tips: Don't tighten the screws 100% before all screws are in right position.



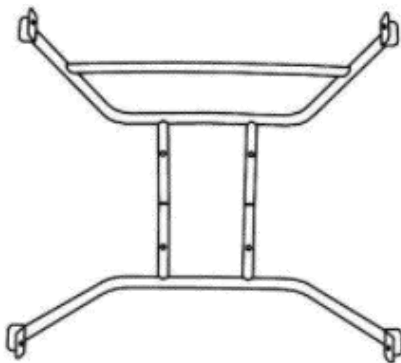
Step 3

Tighten the front support and rear support (C) as shown.



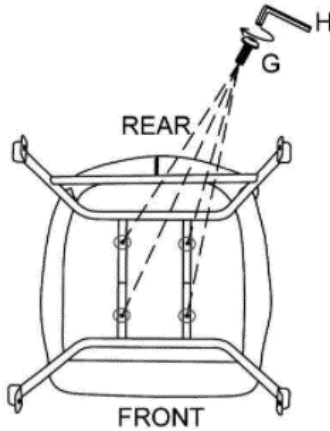
Step 4

The front support and rear support (C) are tightened as shown.



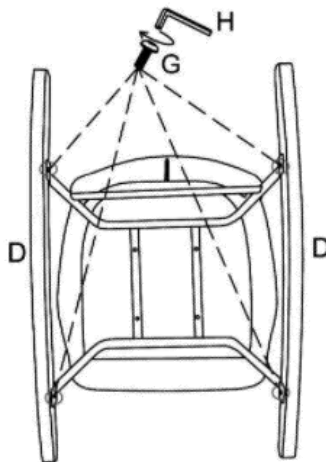
Step 5

Place the chair upside down on a non-abrasive surface. Attach the assembled part of step 4 to the chair with short screws (G) using the Allen key (H).



Step 6

Attach left leg and right leg (D) to the front support and rear support (C) with short screws (G) using the Allen key (H).



Step 7

Put the rocking chair on its upright position and the assembly is finished.



CLEANING & CARE

- Wipe regularly with clean water and a damp, clean, soft white cloth.
- General cleaning can be done as needed with a mild detergent and water solution.
- Always rinse with clean water and dry. For heavy soiling, dampen a soft white cloth or soft bristle brush. Use care as scrubbing can damage the surface.
- More difficult stains can be treated, but this should be occasional, not daily cleaning.
- ANY cleaning solution used must be removed with clean water and a clean white cloth. Cleaning residue left on the material can cause it to dry out and crack, or affect the color.
- DO NOT use any cleaners with corrosive ingredients (lye, acids or ammonia).