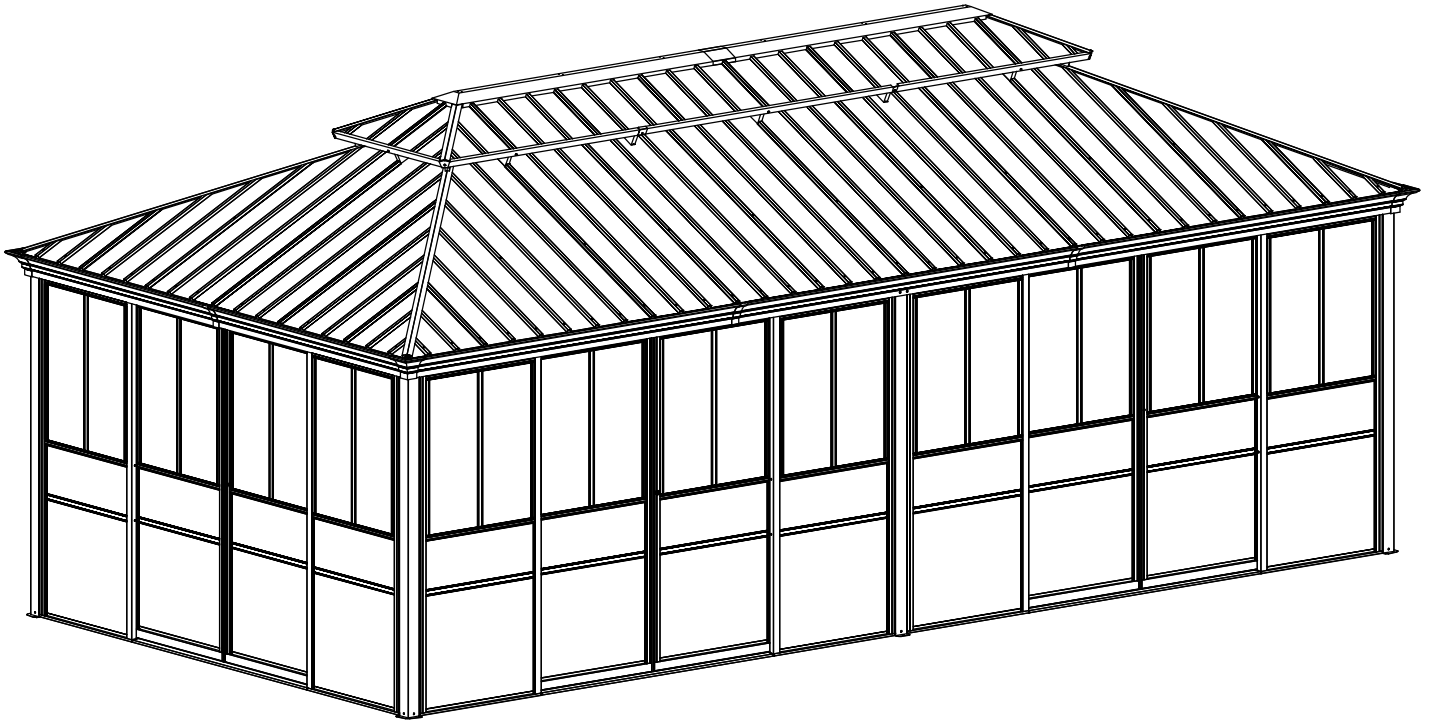


# 12 x 24FT

WQOT227TN-1



Note: The sunroom needs to be installed in cooperation with five people.

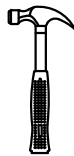
Assembly of this product requires the following tools, these tools are not included, please bring your own, if you have questions, please contact us.



Pistol Drill



Tape Measure



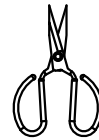
Hammer



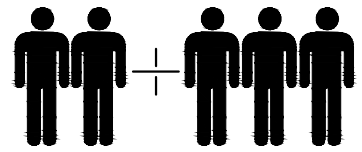
Screwdriver



Ladder



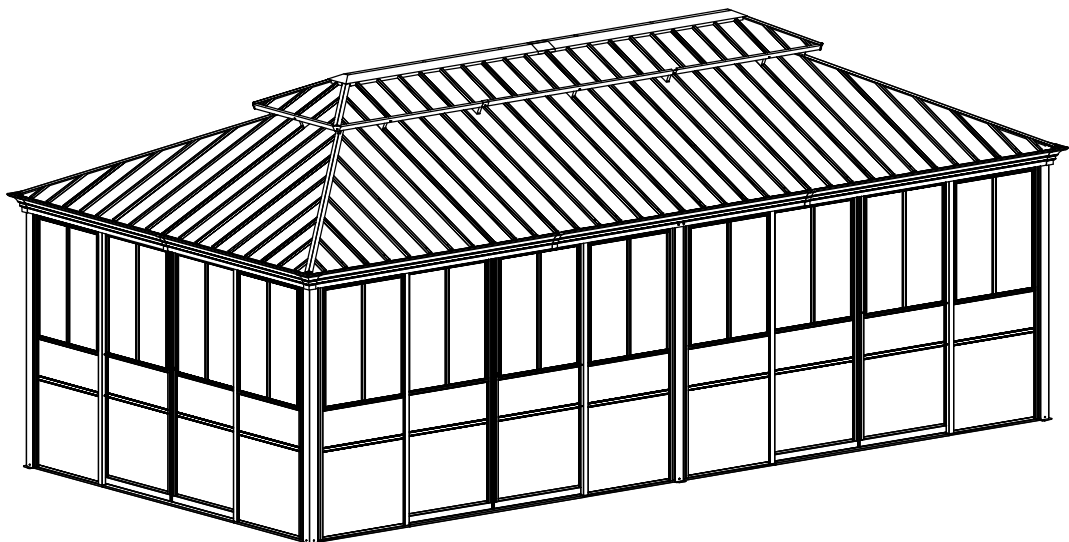
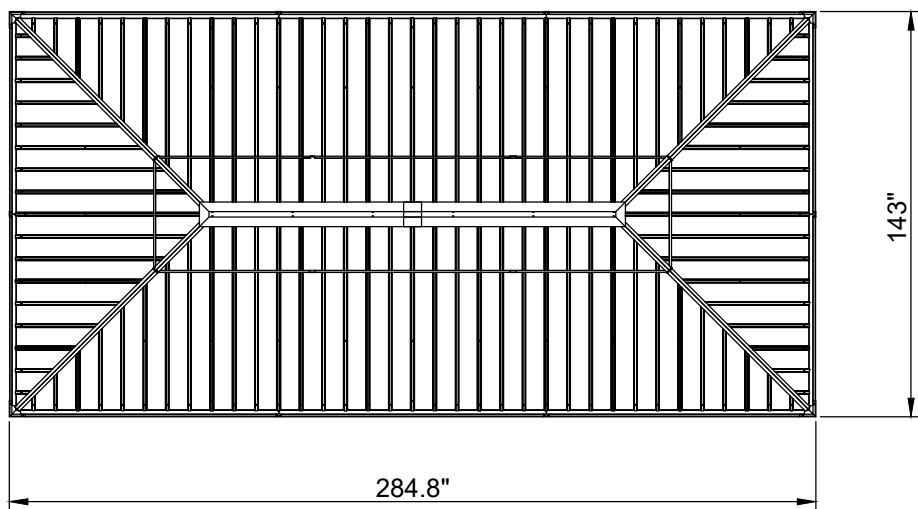
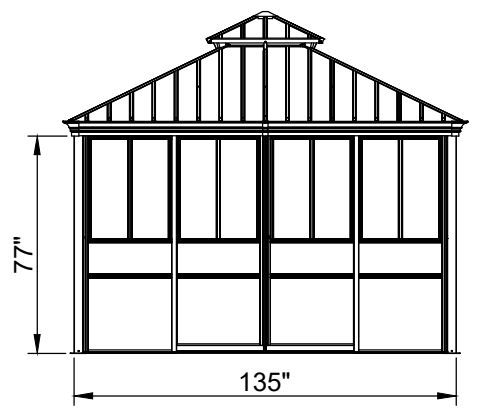
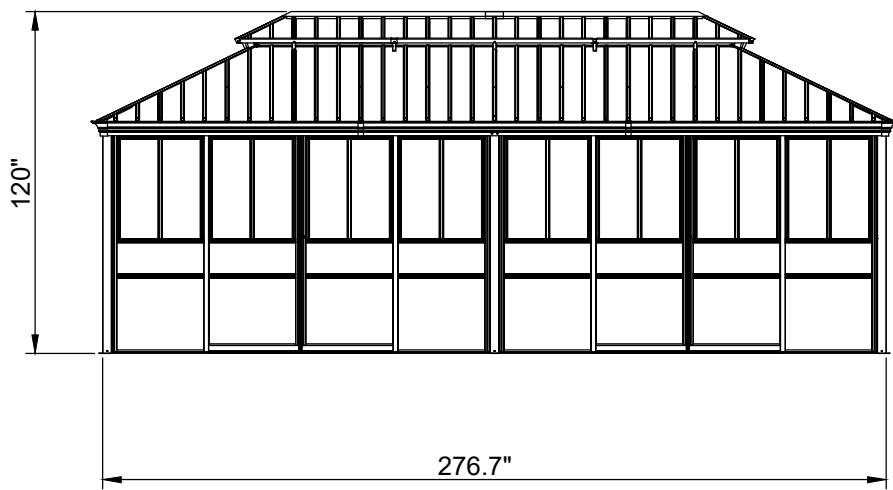
Scissor



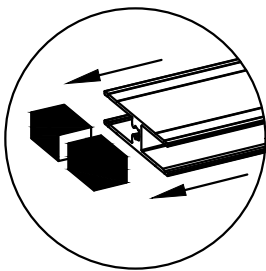
5 people

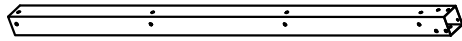
## ATTENTION:

1. Please check the manual carefully and make sure you have received all the parts.
2. If any parts are missing, please let us know the letter marked on the part.
3. If any parts are damaged, please send us clear photos. We will review them and provide the best solution as soon as possible.
4. If you have any problems, please feel free to contact us. Our professional customer service and after-sales team are always ready to help you.
5. You can reach us via email at **customer01service@hotmail.com**.

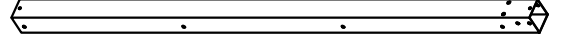


Box 1		V5b	2	M5G	16
Part #	Qty	V9a	2		
AB1	2	V9b	2		
AB2	2	M1A	6	Box 5	
E	4	M2A	6	Part #	Qty
D1	2	M4J	2	AB7	2
D2	2	M8J	4	E5	1
D3	2			I12	2
D4	2	Box 3		F5	5
D11	2	Part #	Qty	G12	2
D12	2	JE3	10	M10G	32
D17	2	JE4	2	M1E	4
D18	2	E5	3		
G1	2	M5B	6	Box 6	
G7	2	M6B	6	Part #	Qty
M4N	2	M8M	8	AB8	2
M8N	4	AJ1	4	G8	2
K	4	AJ2	2	F1	8
K1	6	P	6	F4	8
Y	128	JZ2	4	M1F	2
12x24		JZ3	2	M8H	4
AB AB BA BA AF AF AGAG	1	Z	64		
ACACACAC AF AF AGAG		Z1	8		
CACACACA AF AGAGAG		Z2	8		
ADADDA DA AF AGAGAG		MQ2	48	Box 7	
AE AE AE AE AF AGAGAG		Part #	Qty	Part #	Qty
EA EA EA EA AF AGAGAG		4-1	24	M1B	6
Box 2				M1D	6
Part #	Qty			M2D	6
JA1	4	Box 4		M1C	6
JA2	2	Part #	Qty	M2C	6
V1	2	AB12	2	M1E	32
3	I7				
	I8				
	V5a				
		M1F	4		
		M1E	8		

Box 8		(M8H)	4	(24)	1
Part #	Qty	(M4L)	16	1.2.3.4.5.6.7.8.9	1
(I1)	2	(M9L)	24	10.11.12.13.14.15	
(L9)	2	(M4M)	4	16.17.18.19.20.21	
(L8b)	1	(M4P)	4	22 .25.26	
(M9)	2	(M9P)	8	Box 12	
(M2B)	6	(1R-1)	16	Part #	Qty
(M1G)	24	(MS1)	16	(R3)	2
(M4K)	4	(MS20)	32	(R4)	2
(N)	8	Box 10		(R5)	2
(N1)	4	Part #	Qty	(R6)	2
(W)	4	(1R-1)	32	(R8)	2
(W1)	12	(1R-2)	16	(R9)	2
(JZ1)	10	(1R-6)	32	(R10)	2
(MD1)	96	(MS2)	8	Box 13	
(MD2)	192	(MS3)	4	Part #	Qty
(MD3)	48	(MS4)	4	(R3)	2
(MD4)	24	(MS21)	16	(R4)	2
(MD5)	24	(MS22)	8	(R5)	2
(3-1)	24	(MS23)	8	(R6)	2
(U1)	6	(M1S)	8	(R8)	2
(U2)	6	(M6S)	16	(R9)	2
(U3)	6	Box 11		(R10)	2
(U4)	6	Part #	Qty	<p>Take out the plastic (packing material) blocks at both ends of the profiles numbered M1E, M1G, M5G, M10G, M4H,M8H,M4L and M9L.</p> 	
(M9K)	8	(S1)	4		
(M9L)	8	(S2)	4		
(23)	128	(S3)	12		
Box 9		(R1)	4		
Part #	Qty	(R2)	4		
(M1E)	4	(5-1)	3		
(M4H)	4				
4					



JA1 4x



JA2 2x



AB1 2x



AB2 2x



AB7 2x



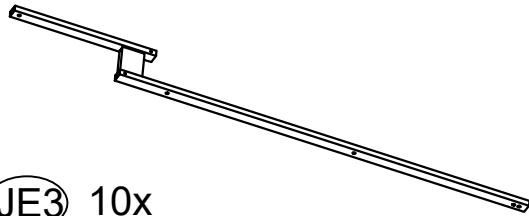
AB8 2x



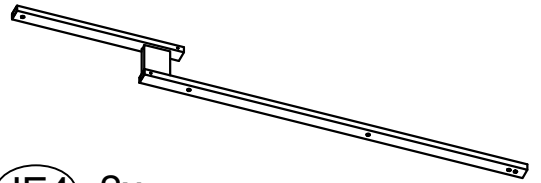
AB12 2x



E 4x



JE3 10x



JE4 2x



D1 2x



D2 2x



D3 2x



D4 2x



D11 2x



D12 2x



D17 2x



D18 2x



(E5) 4x



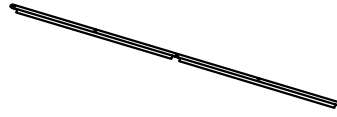
(I1) 2x



(I7) 2x



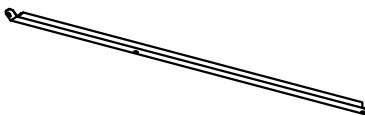
(I8) 2x



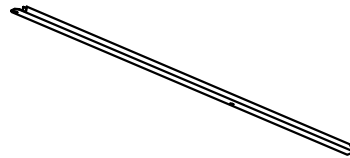
(I12) 2x



(G1) 2x



(G7) 2x



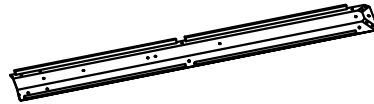
(G8) 2x



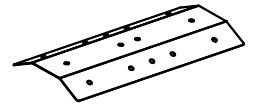
(F5) 5x



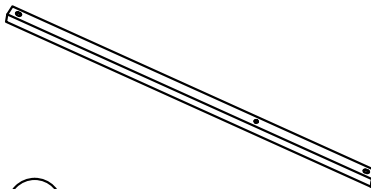
(F1) 8x



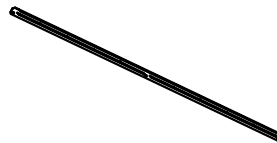
(L9) 2x



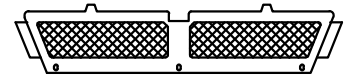
(L8b) 1x



(F4) 8x



(G12) 2x



(V1) 2x



(V5a) 2x



(V5b) 2x



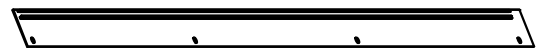
(V9a) 2x



(V9b) 2x



(M9) 2x



(M1A) 6x

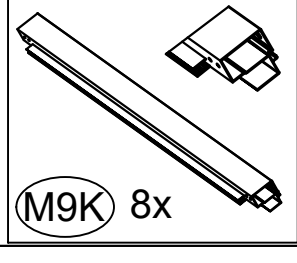
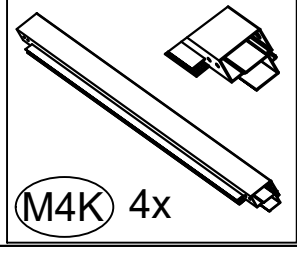
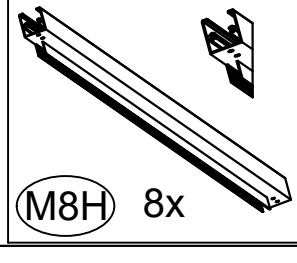
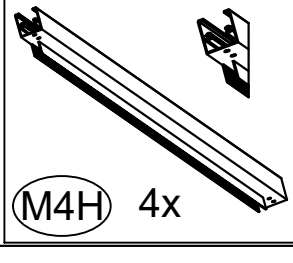
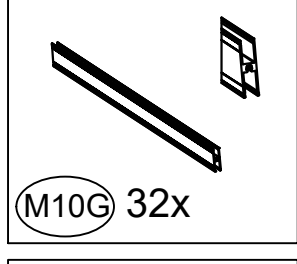
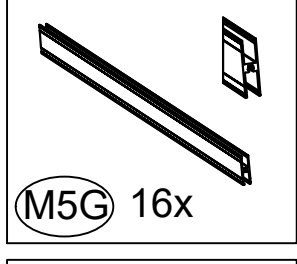
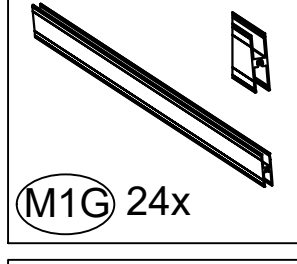
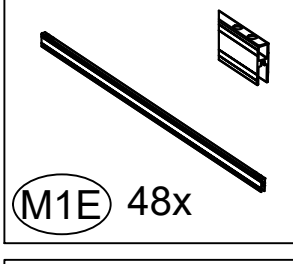
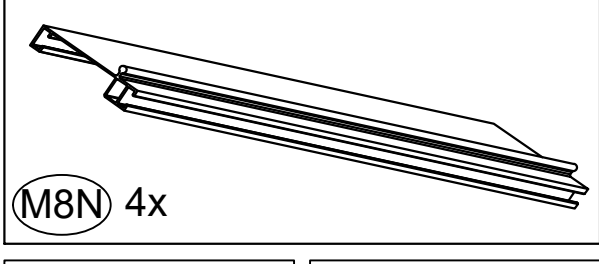
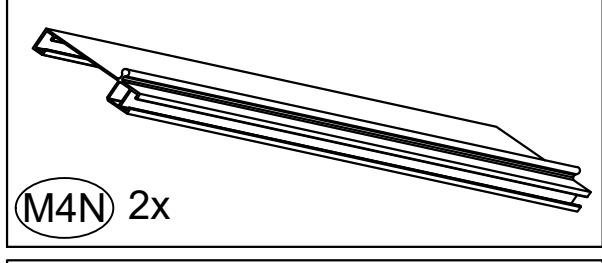
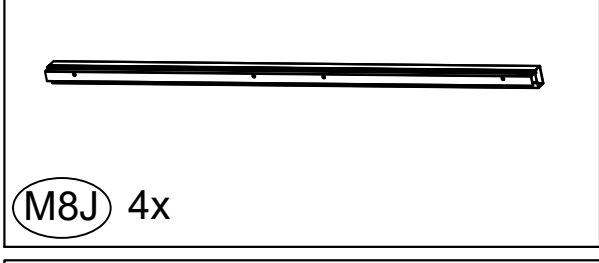
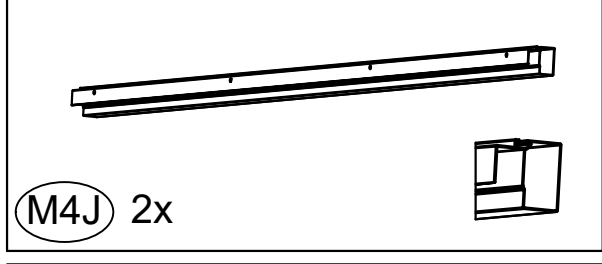
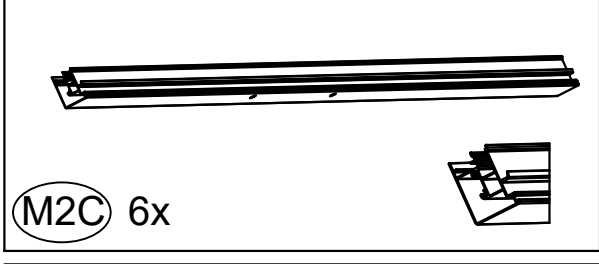
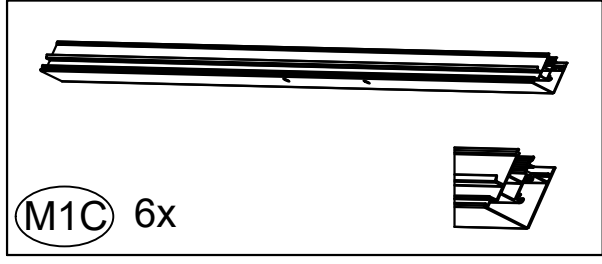
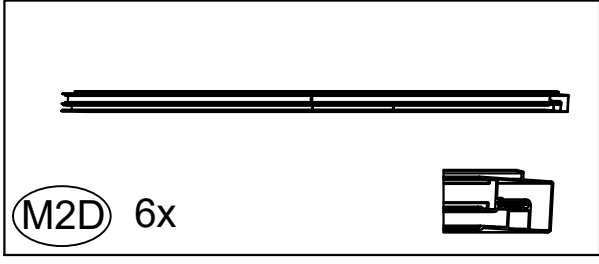
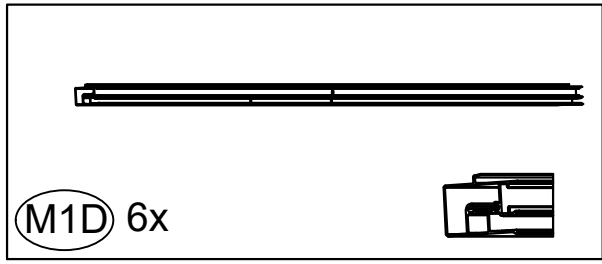
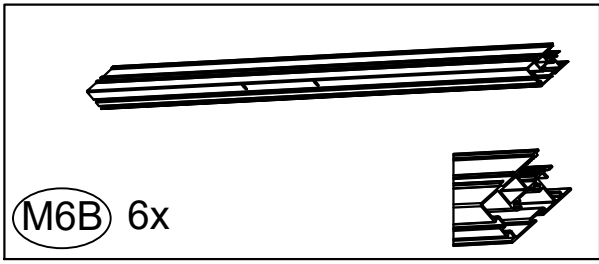
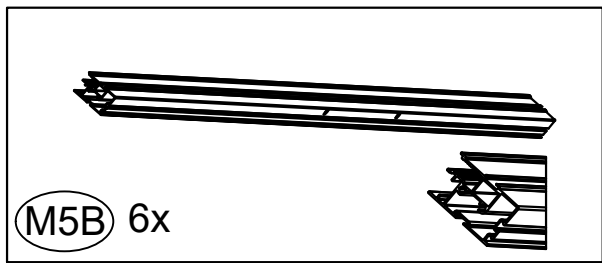
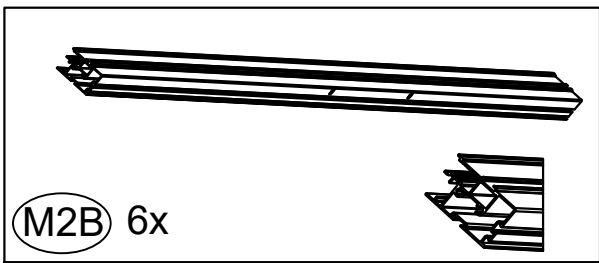



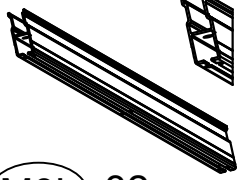


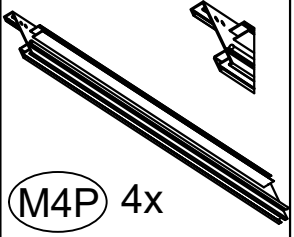
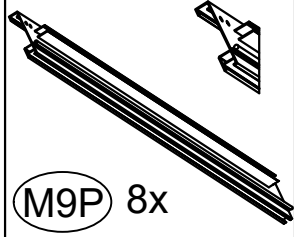


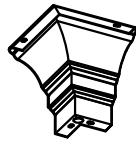

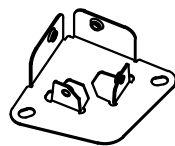
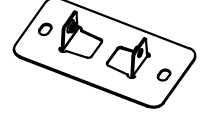

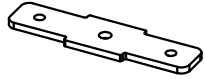
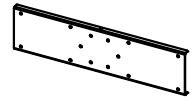

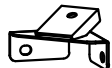
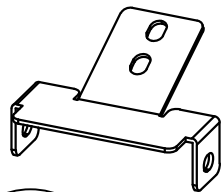
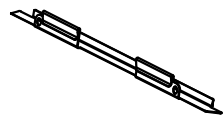
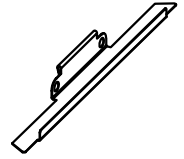
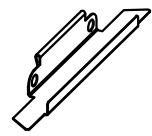
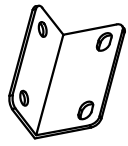


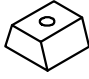
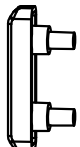
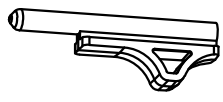
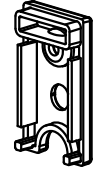
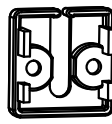
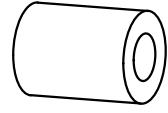
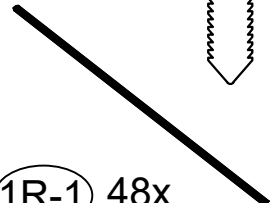
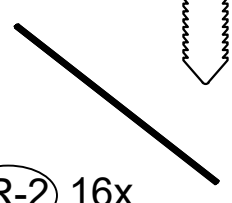
(M2A) 6x

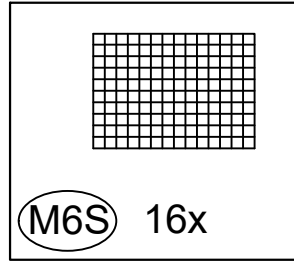
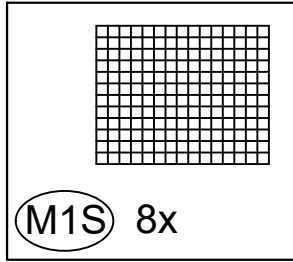
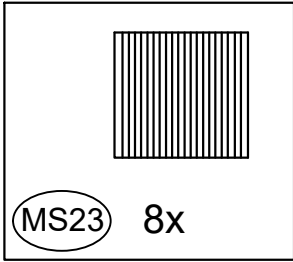
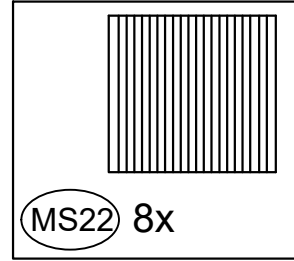
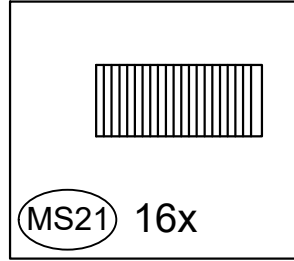
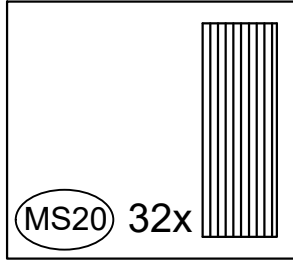
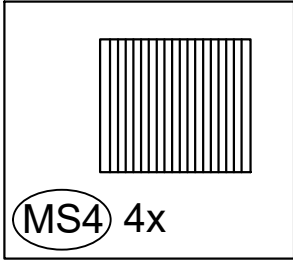
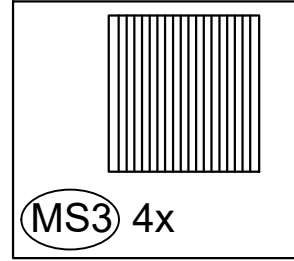
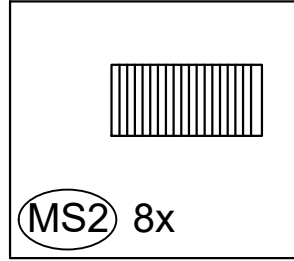
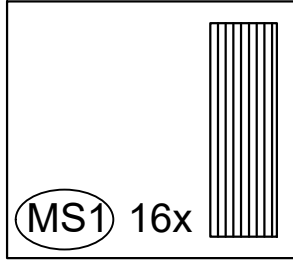
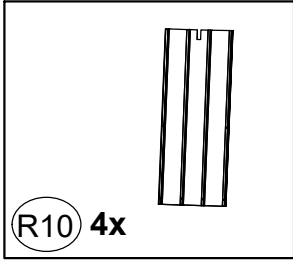
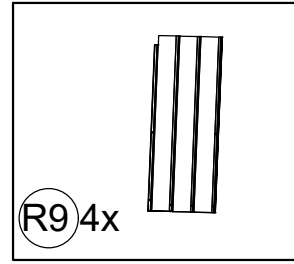
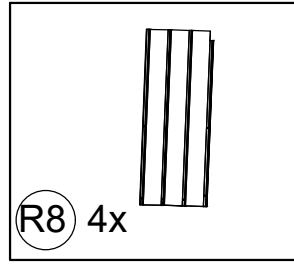
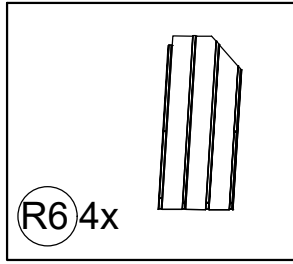
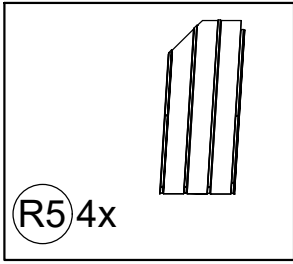
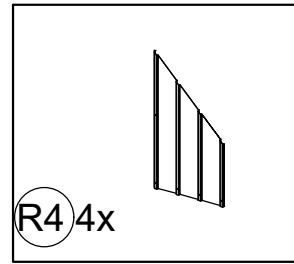
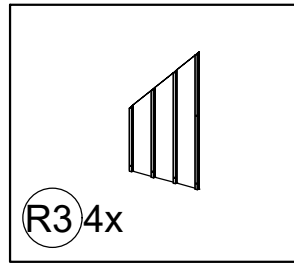
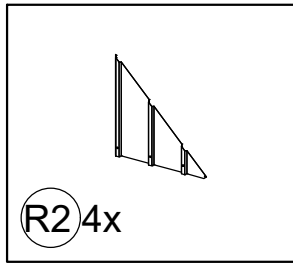
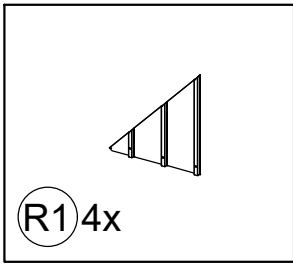
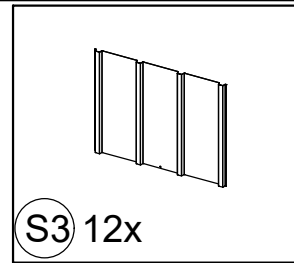
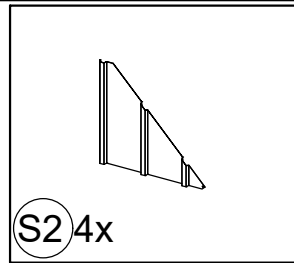
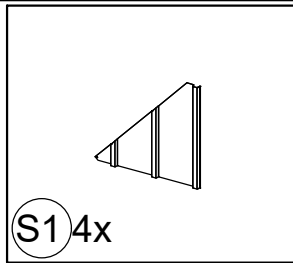
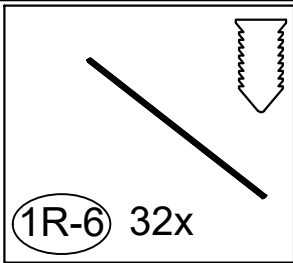


(M1B) 6x

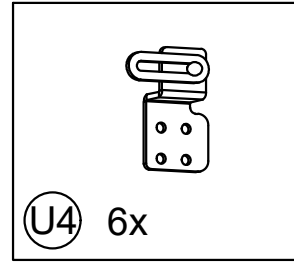
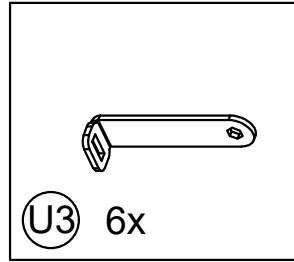
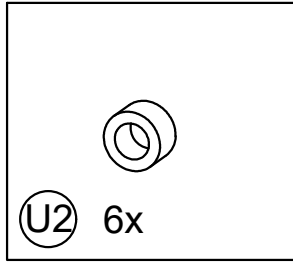
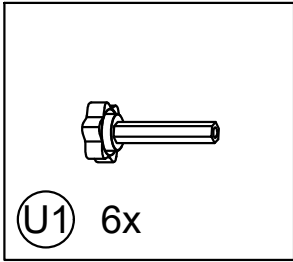




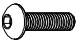





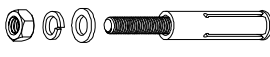
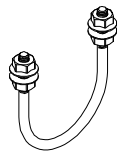
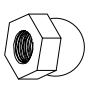
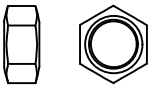
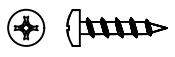
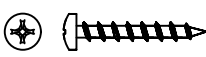
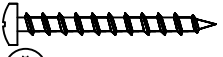
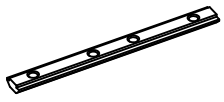


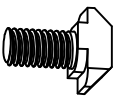
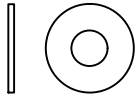


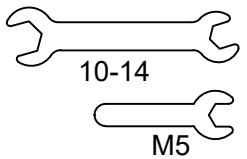
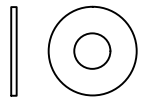
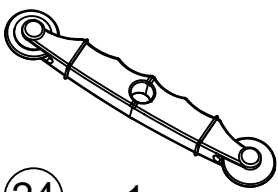
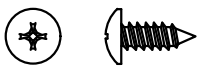
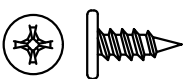


 (M4L) 16x	 (M9L) 32x	 (M4M) 4x	 (M8M) 8x
 (M4P) 4x	 (M9P) 8x	 (N) 8x	 (N1) 4x
 (K) 4x	 (K1) 6x	 (AJ1) 4x	 (AJ2) 2x
 (W) 4x	 (W1) 12x	 (P) 6x	 (JZ1) 10x
 (JZ2) 4x	 (JZ3) 2x	 (Z) 64x	 (Z1) 8x
 (Z2) 8x	 (MQ2) 48x	 (4-1) 24x	 (5-1) 3x
 (Y) 128x	 (MD1) 96x	 (MD3) 48x	 (MD4) 24x
 (MD5) 24x	 6.2*11*15 (3-1) 24x	 (1R-1) 48x	 (1R-2) 16x



12x24							
AB	AB	BA	BA	AF	AF	AG	AG
AC	AC	AC	AC	AF	AF	AG	AG
CA	CA	CA	CA	AF	AF	AG	AG
AD	AD	DA	DA	AF	AF	AG	AG
AE	AE	AE	AE	AF	AF	AG	AG
EA	EA	EA	EA	AF	AF	AG	AG



 <b>MD2</b> 192x	 M6x15 <b>1</b> 496x	 M6x25 <b>2</b> 112x	 ST 4.8x12 <b>3</b> 52x
 <b>4</b> 5x	 M6x50 <b>5</b> 16x	 <b>6</b> 12x	 M6x10 <b>7</b> 26x
 <b>8</b> 12x	 <b>9</b> 2x	 M6 <b>10</b> 138x	 M6 <b>11</b> 24x
 M4x20 <b>12</b> 240x	 M4x35 <b>13</b> 168x	 M4x50 <b>14</b> 96x	 <b>15</b> 36x
 M5x6 <b>16</b> 144x	 M5 <b>17</b> 72x	 M5x12 <b>18</b> 72x	 M6 <b>19</b> 128x
 4mm <b>20</b> 2x	 2.5mm <b>21</b> 2x	 10-14 M5 <b>22</b> 1x	 Rubber Gasket <b>23</b> 128x
 <b>24</b> 1x	 M5x15 <b>25</b> 24x	 M4x12 <b>26</b> 6x	

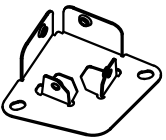
<1>



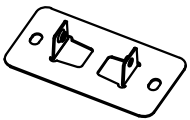
JA1 4x



JA2 2x



AJ1 4x



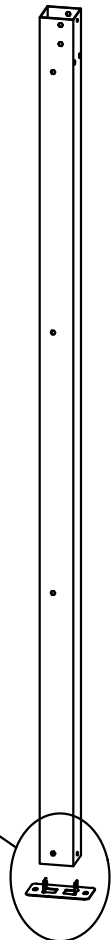
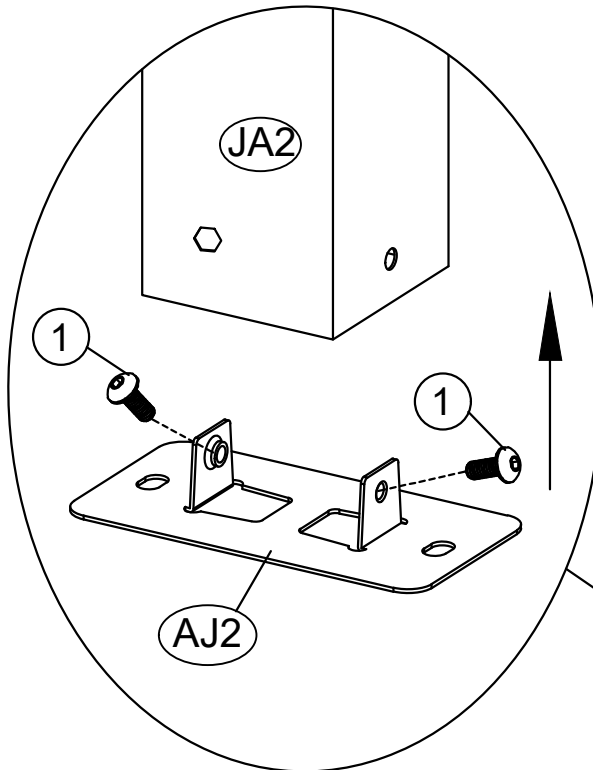
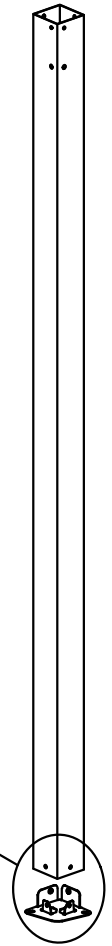
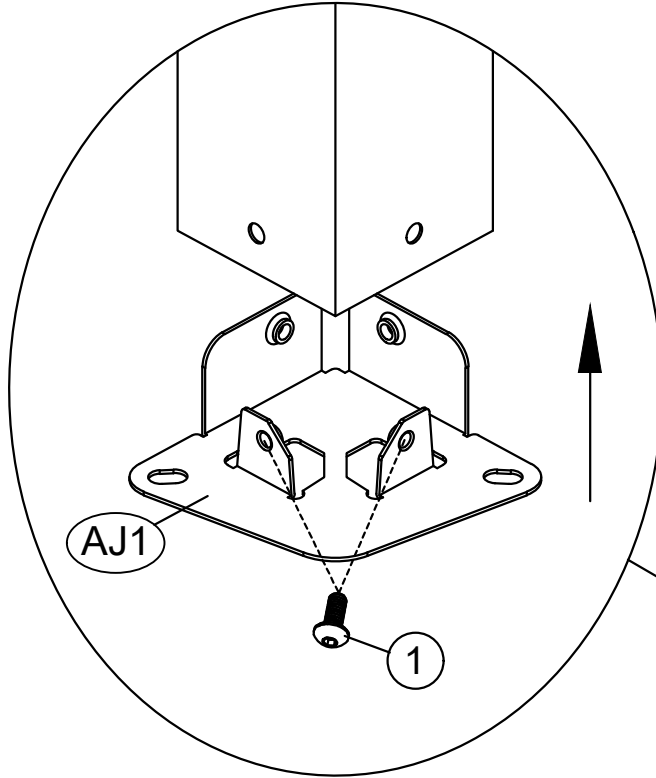
AJ2 2x

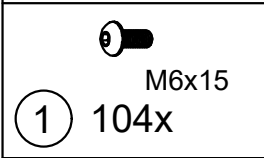
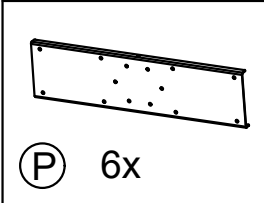
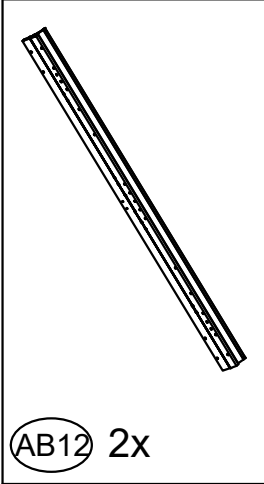
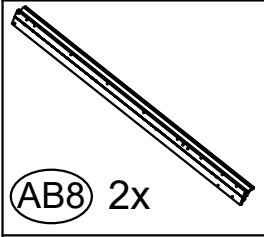
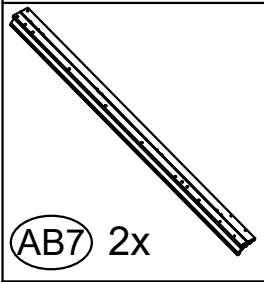
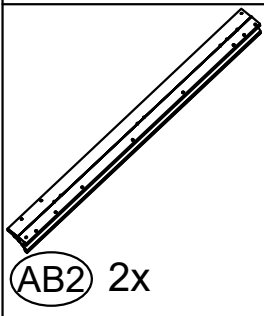
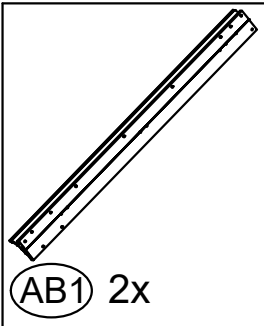


M6x15

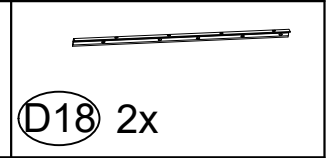
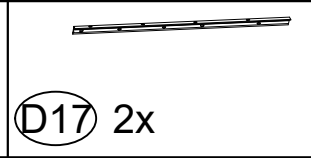
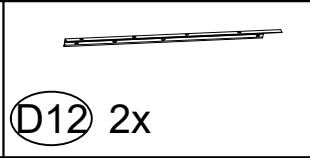
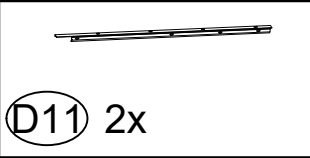
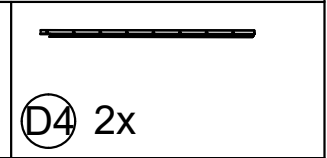
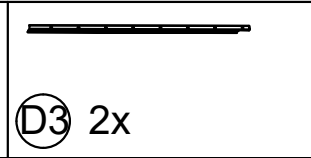
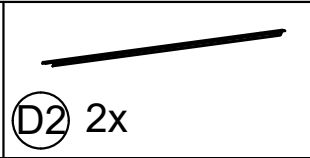
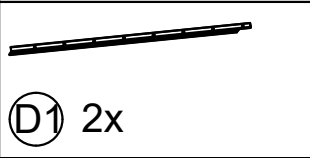
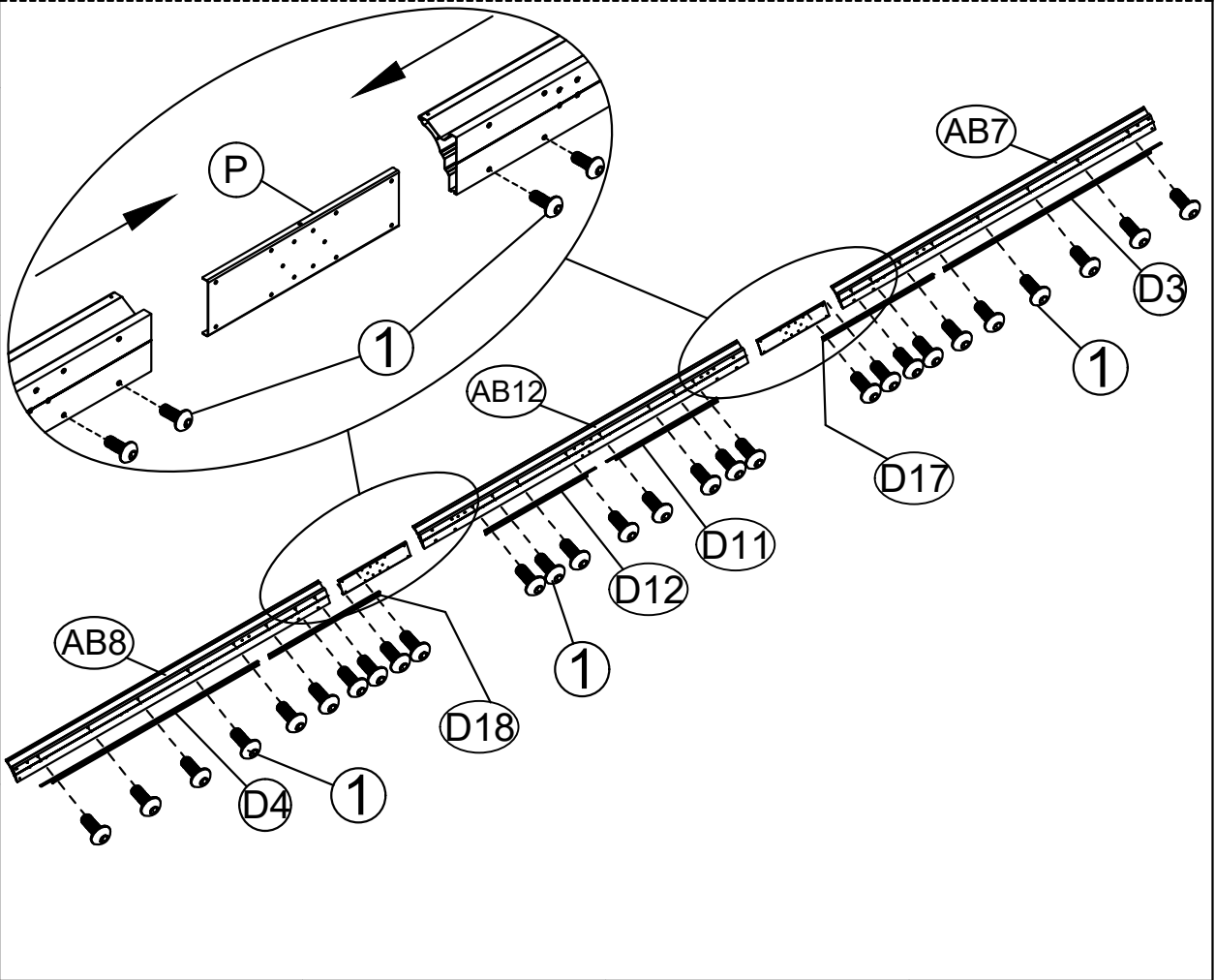
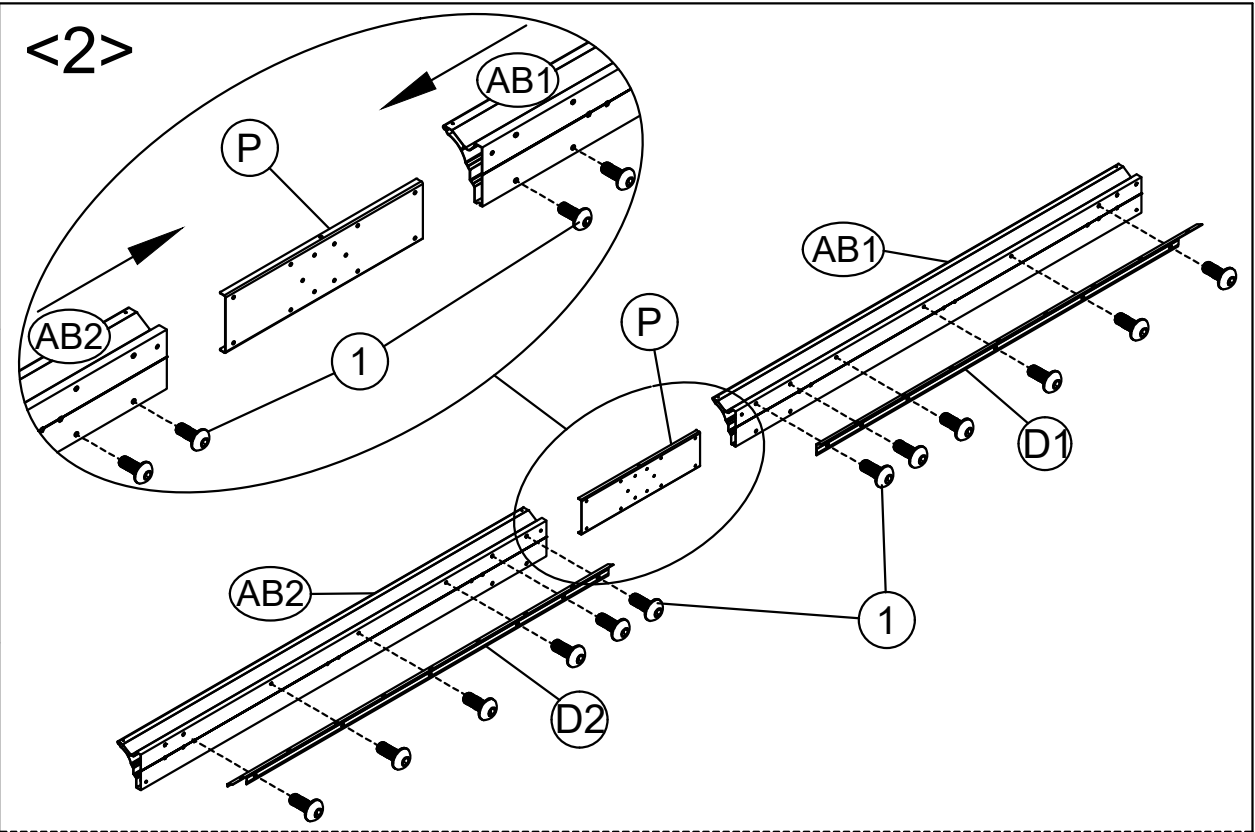
1 12x

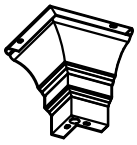
11





12

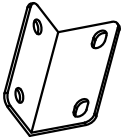




(K) 4x



(K1) 6x



(MQ2) 12x



M6x15

(1) 52x

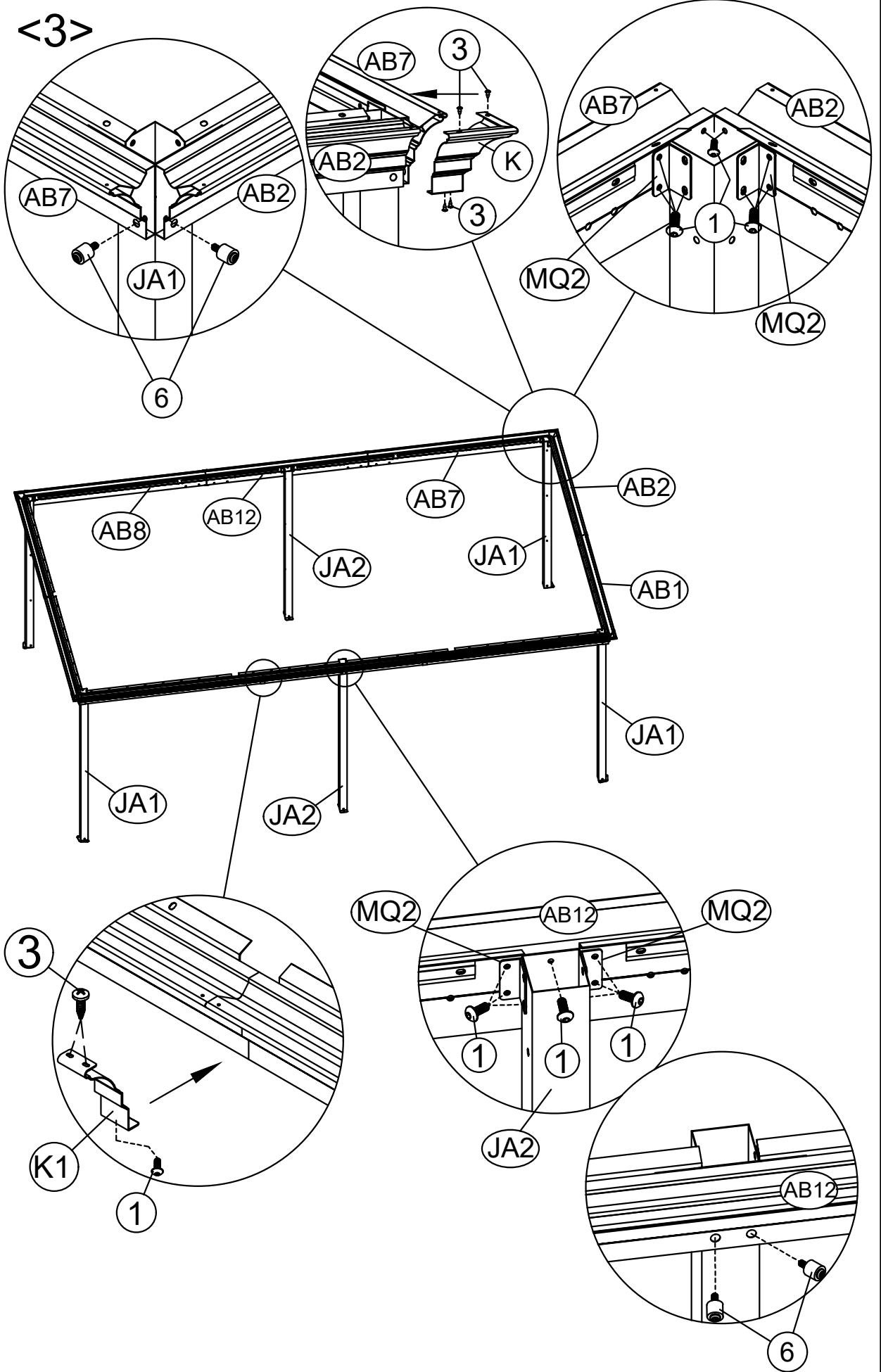


(6) 12x

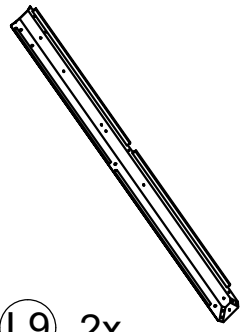


(3) 28x

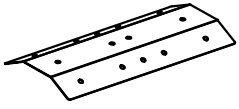
<3>



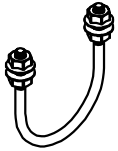
<4>



L9 2x



L8b 1x



9 2x



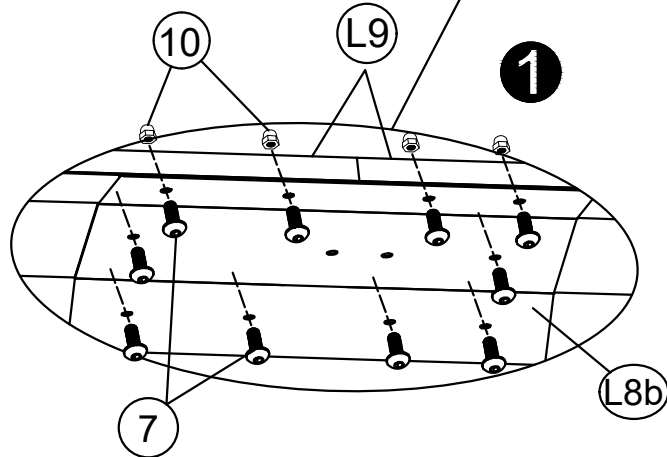
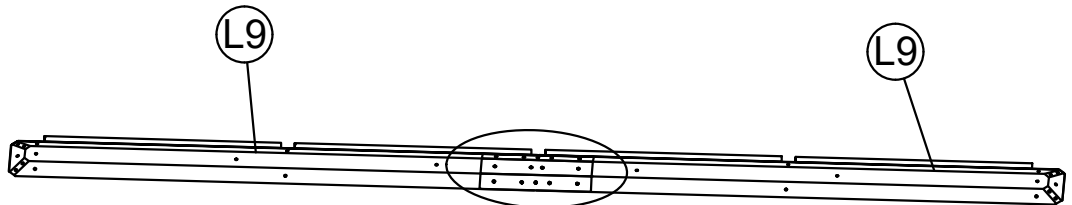
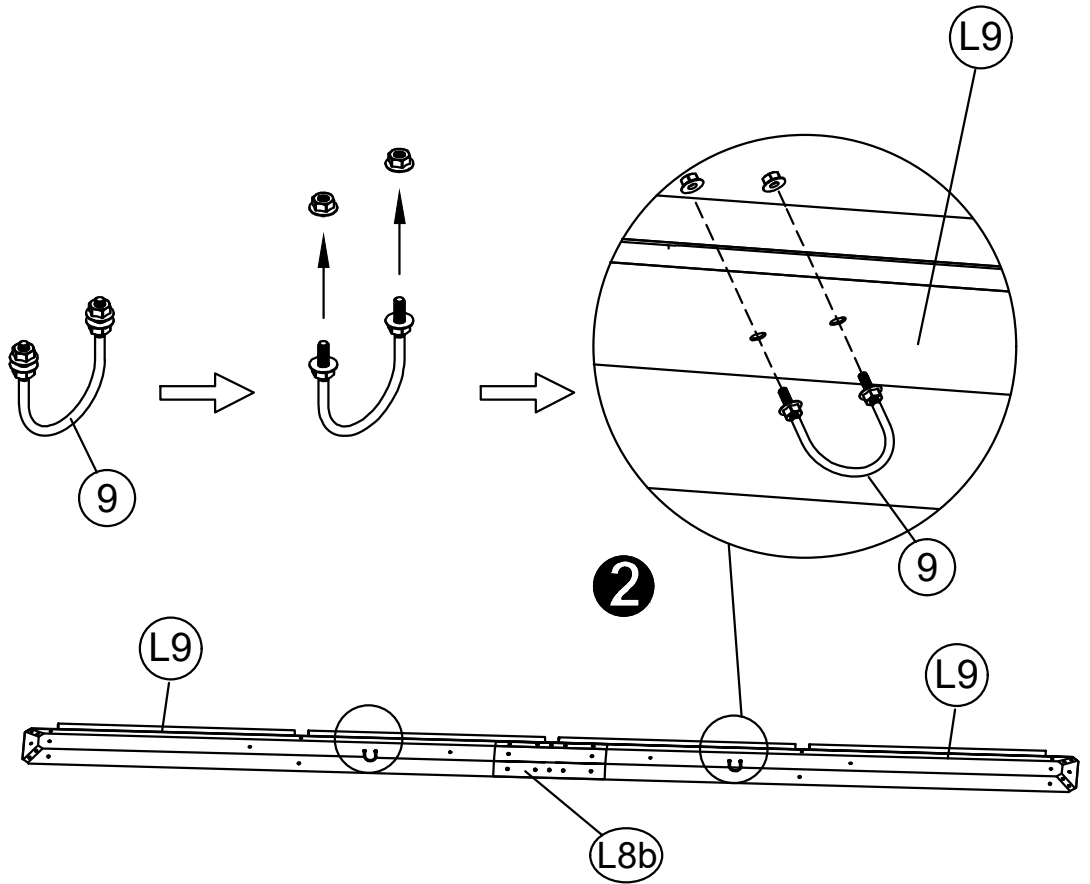
M6x10

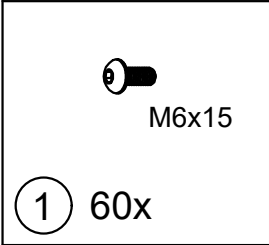
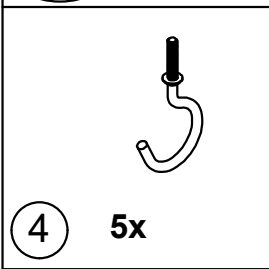
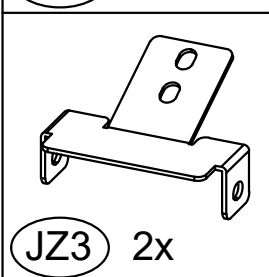
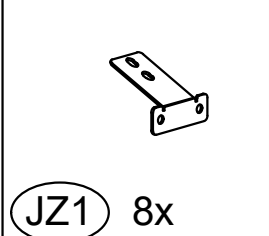
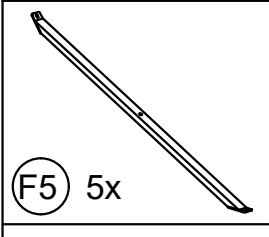
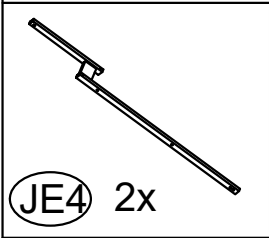
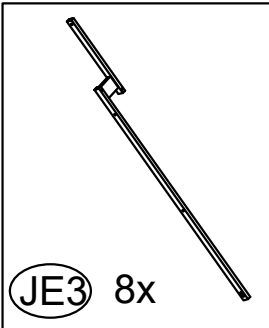
7 10x



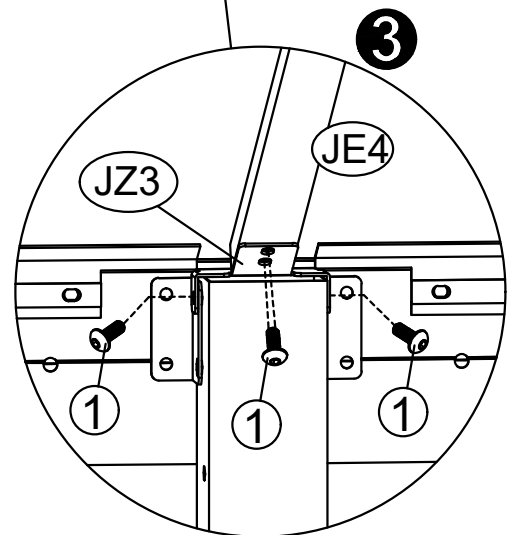
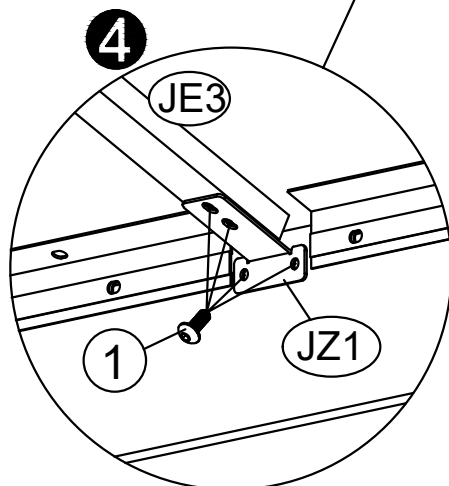
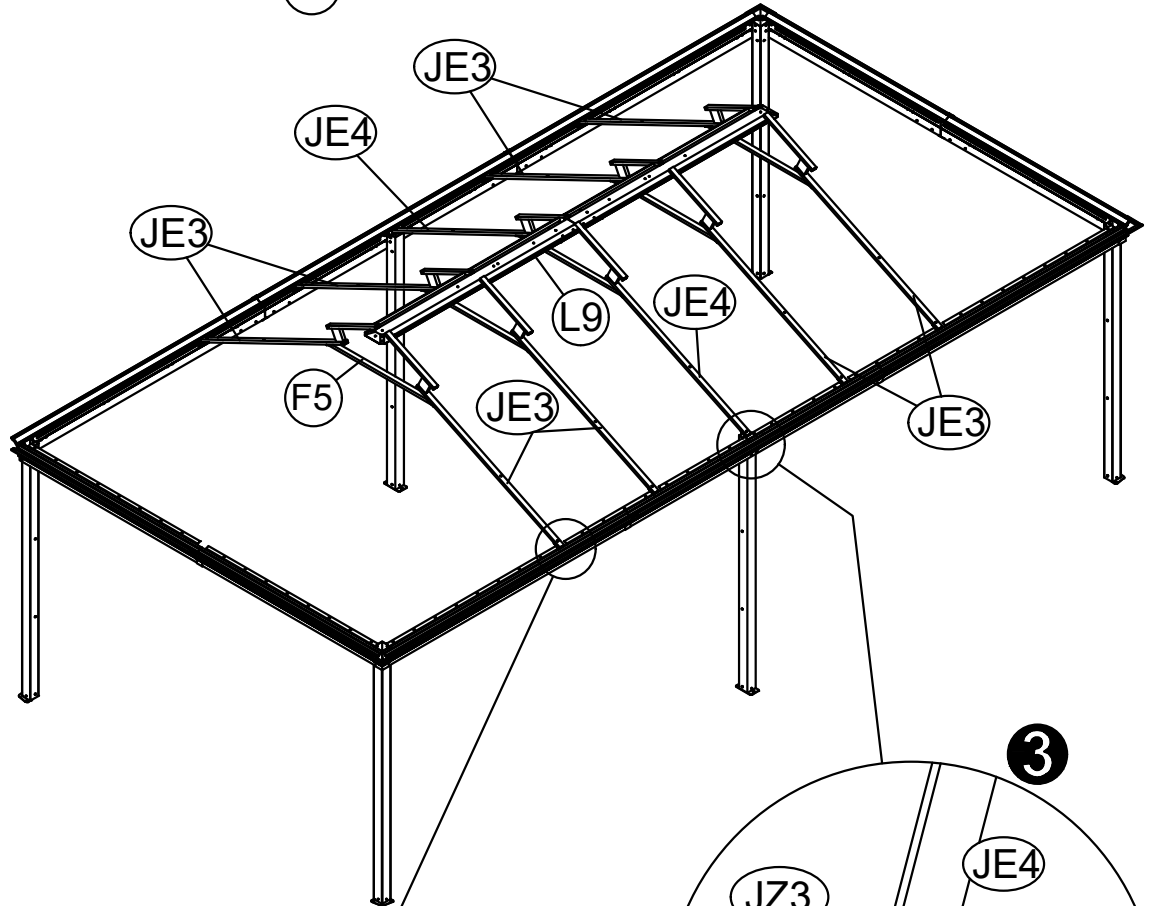
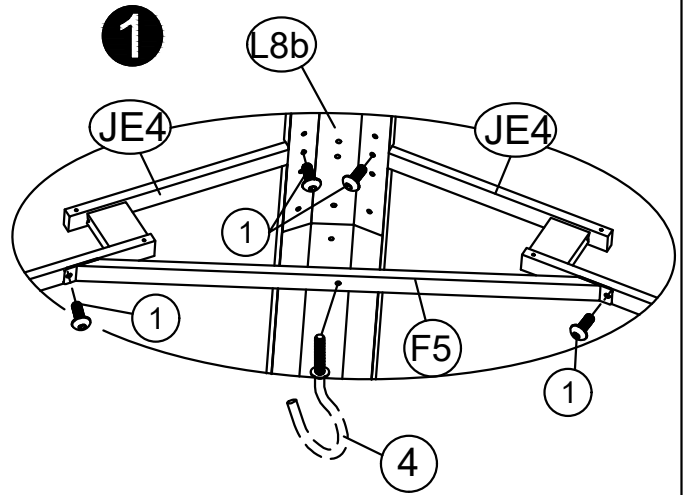
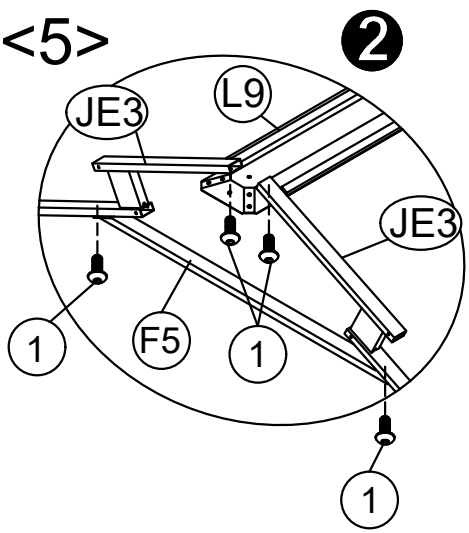
M6

10 10x





<5>



Note:  
1. Have one person stand on the ladder to lift and hold "L10", while others fasten the screws of "JE3"&"JE4".  
2. Do not release "L10" until all the "JE3"&"JE4" screws are fully installed.

<6>

JE3 2x

E 4x

E5 4x

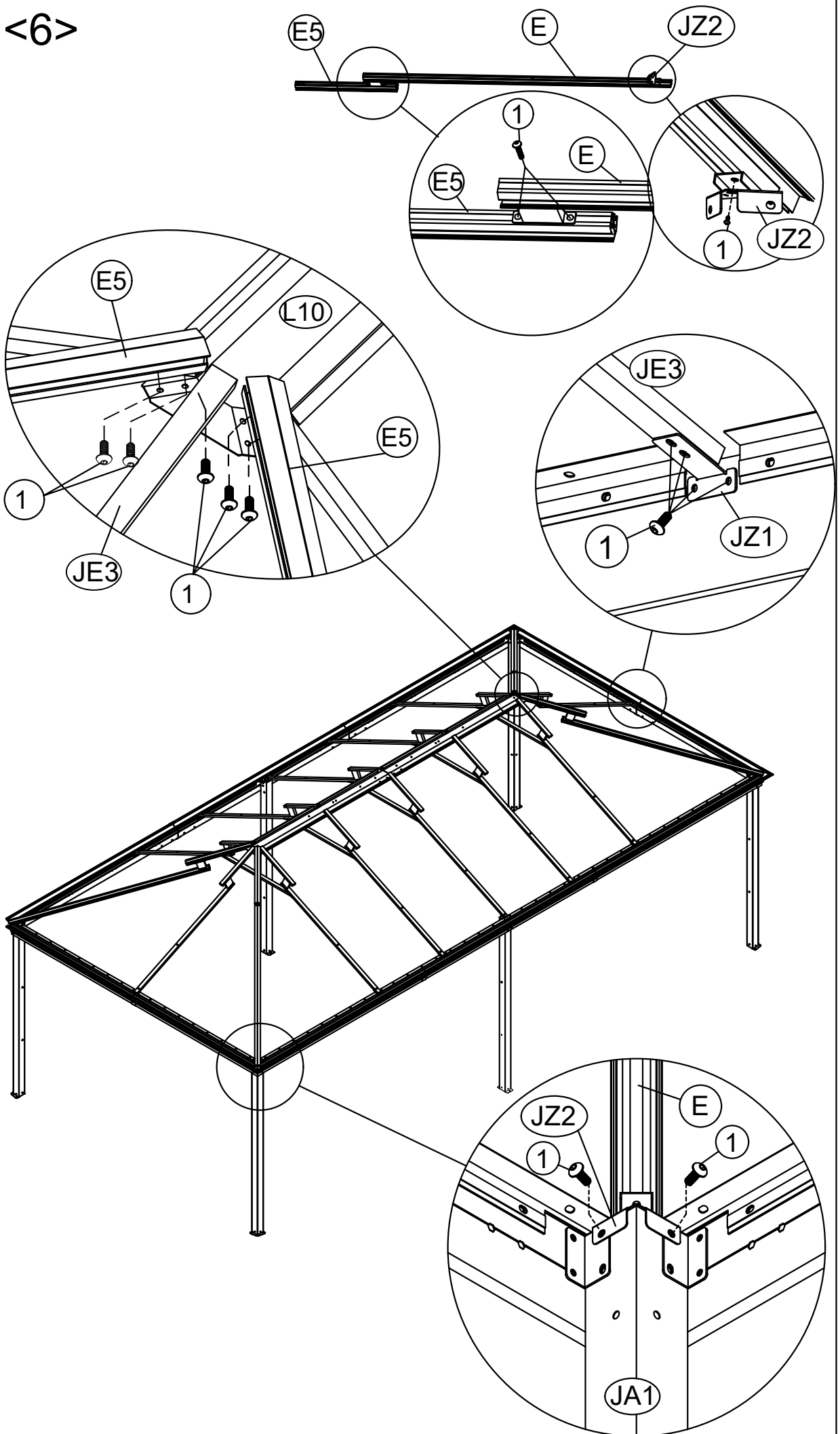
JZ2 4x

JZ1 2x

M6x15

1 38x

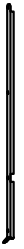
16



<7>



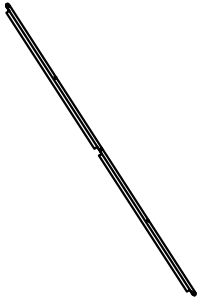
(I1) 2x



(I7) 2x



(I8) 2x



(I12) 2x

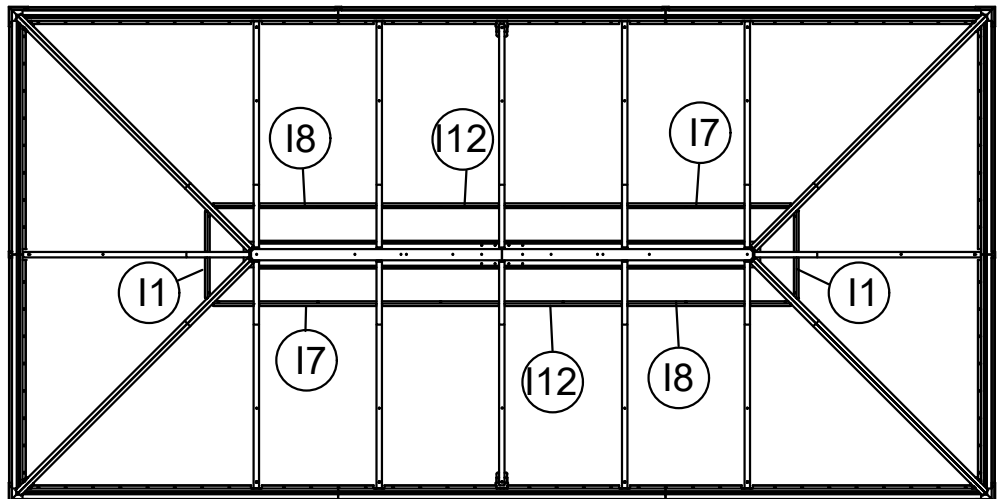
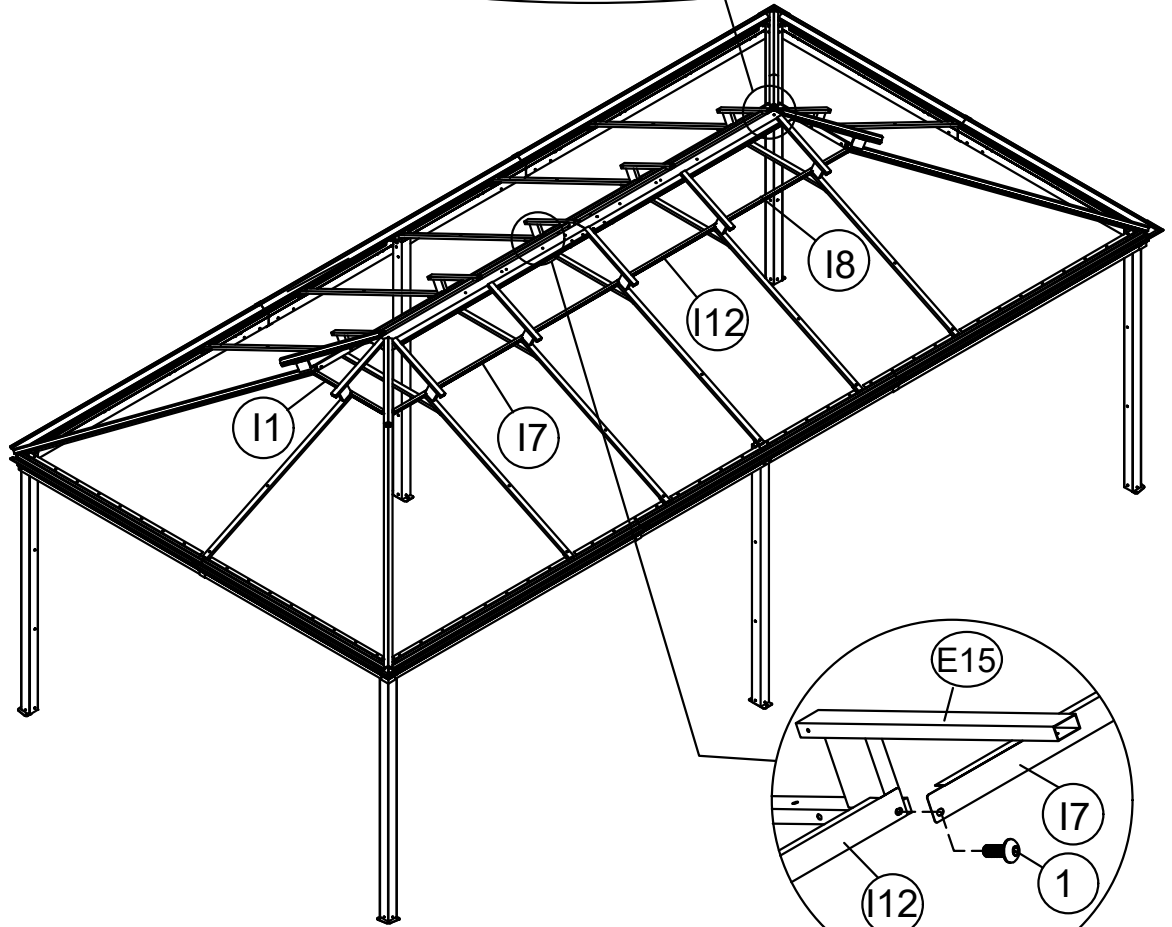
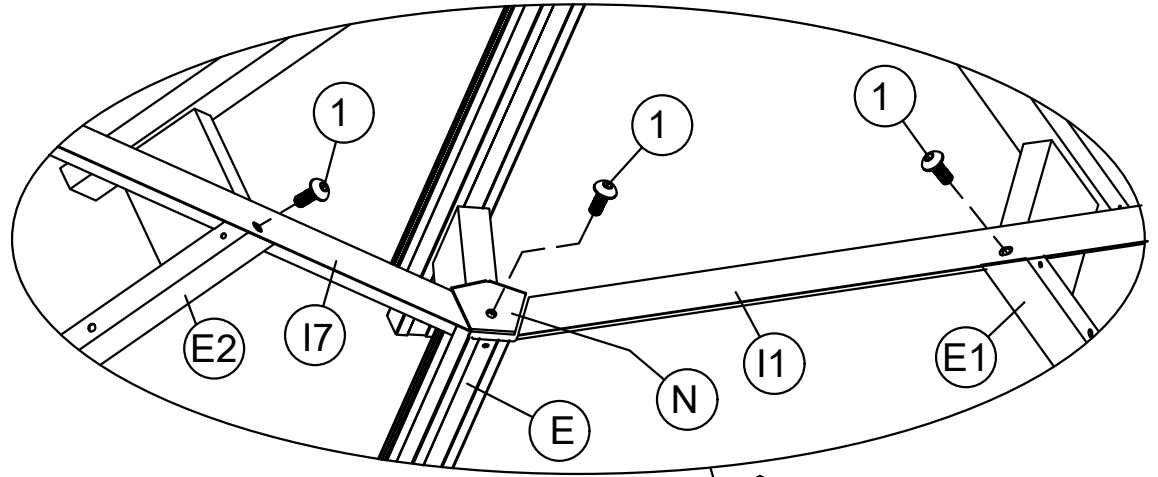


(N) 4x

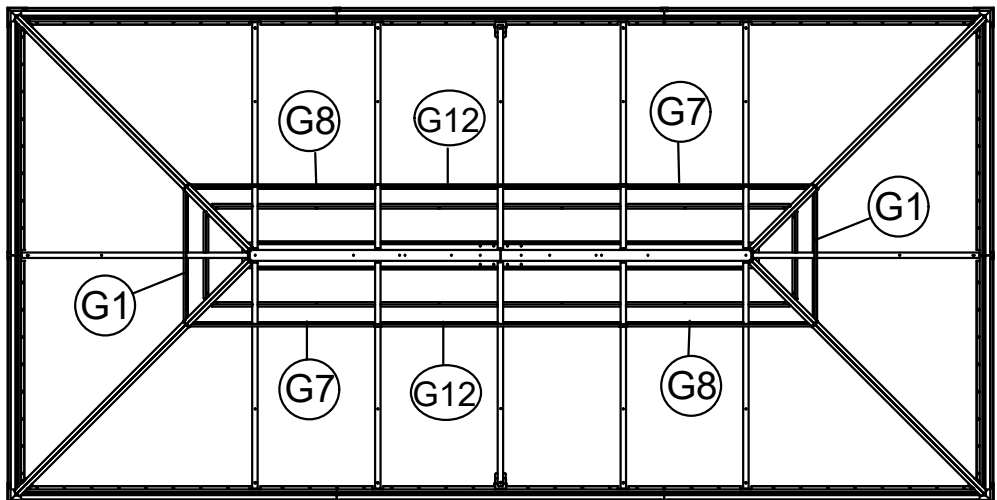
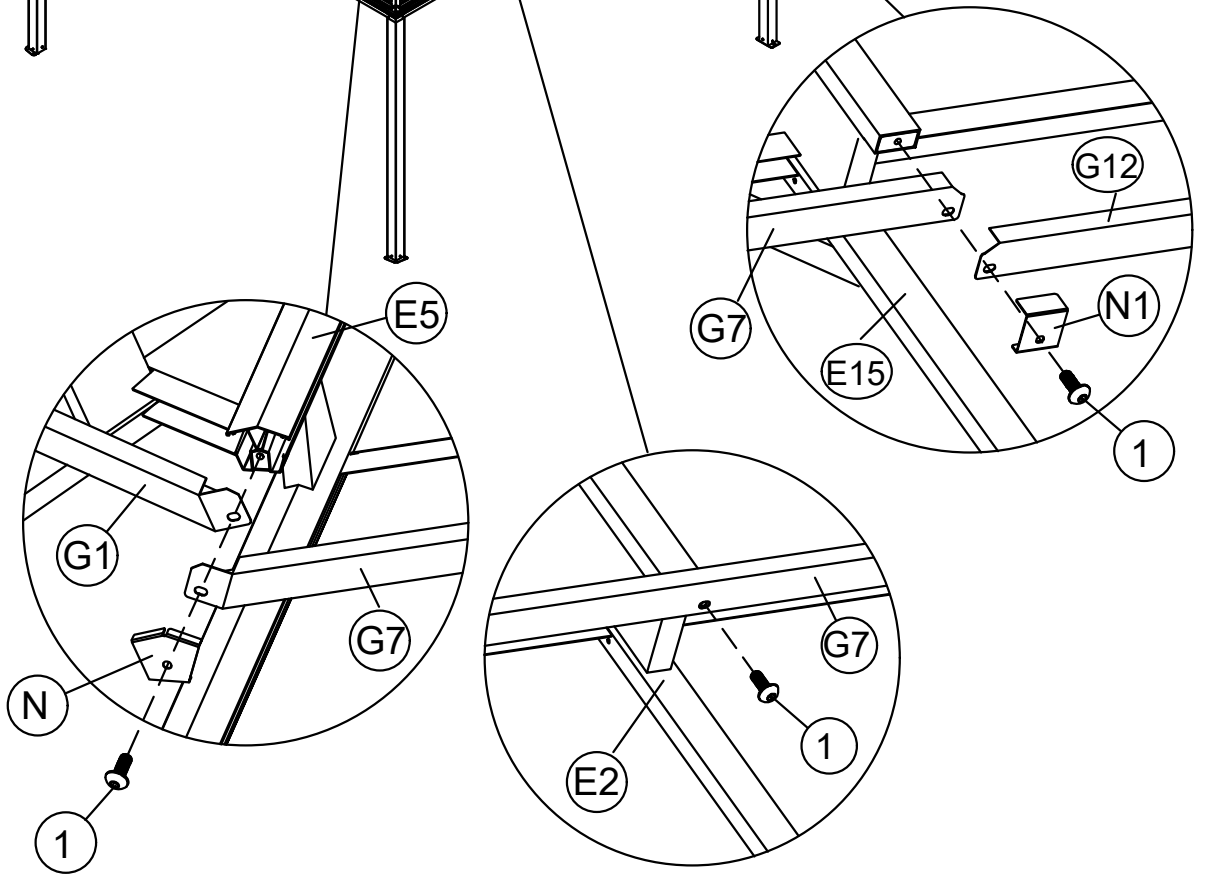
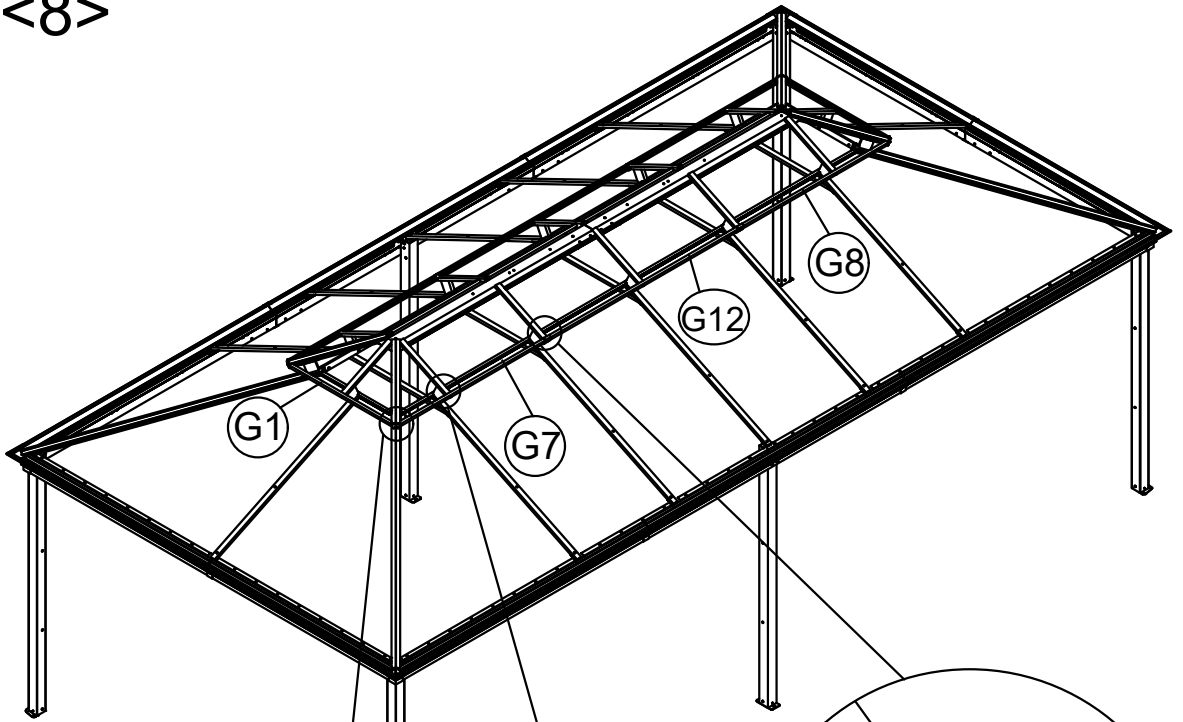


M6x15

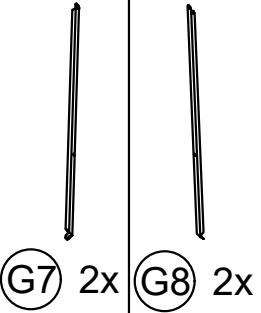
(1) 16x



<8>



G1 2x



G7 2x G8 2x



G12 2x



N 4x



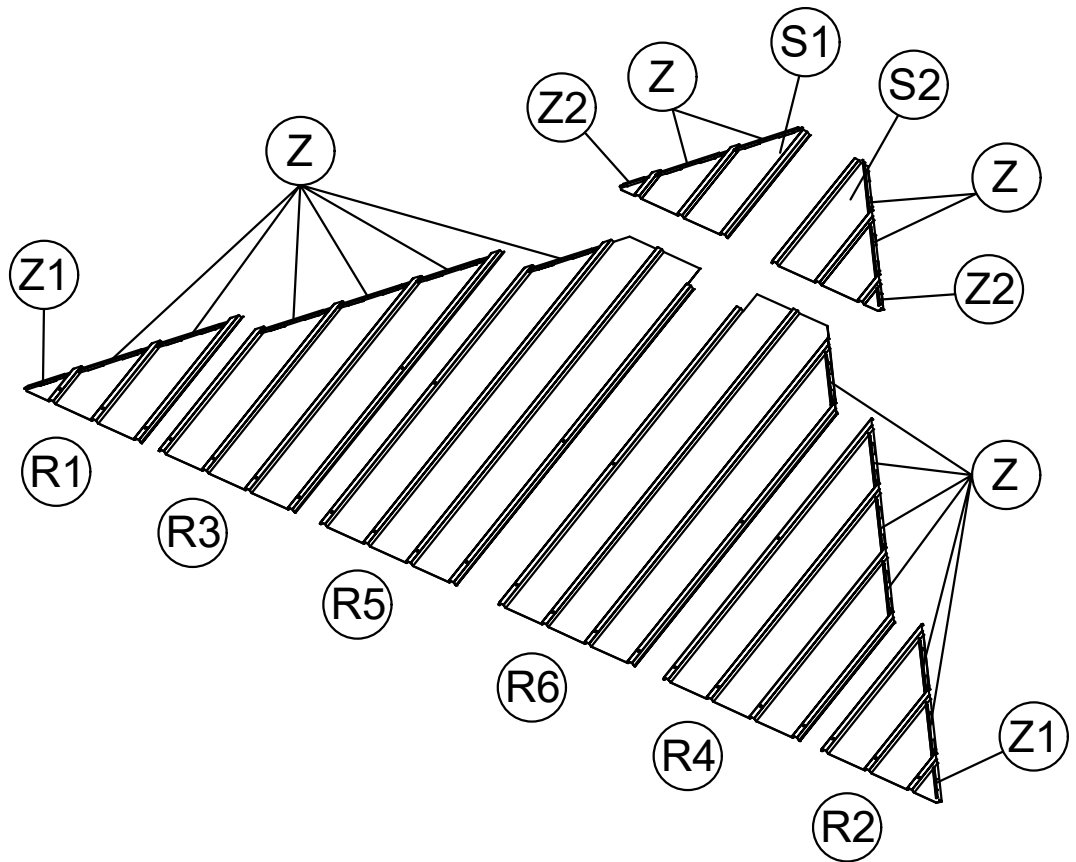
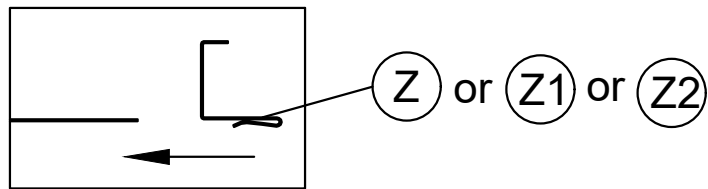
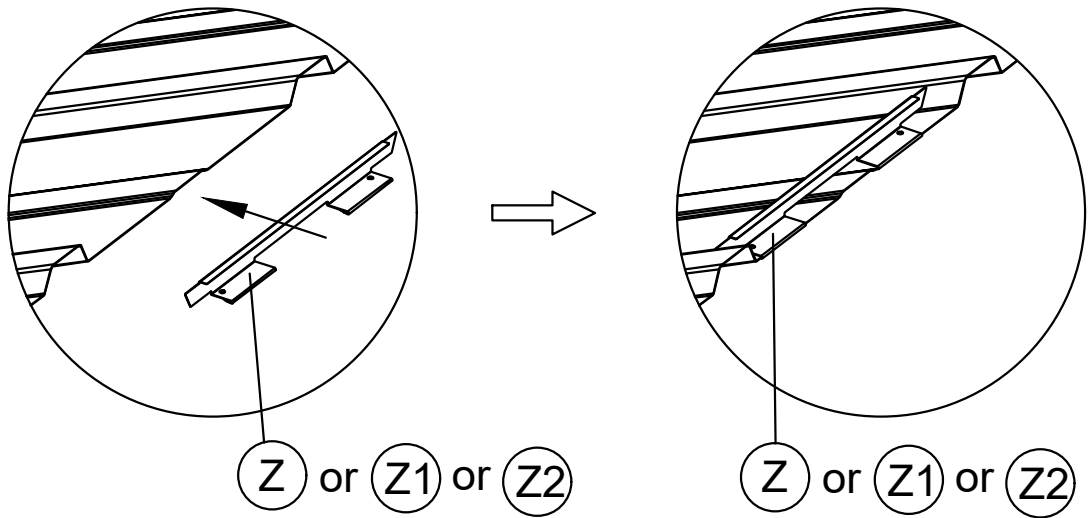
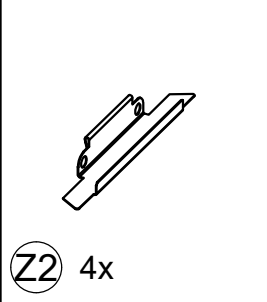
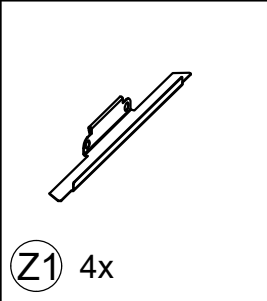
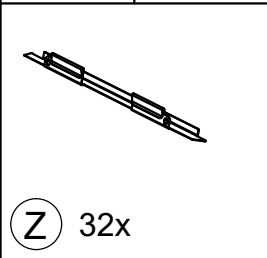
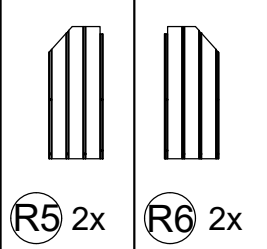
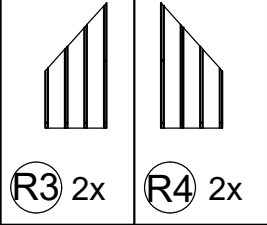
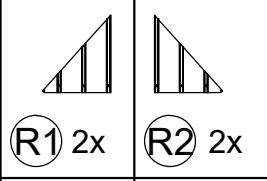
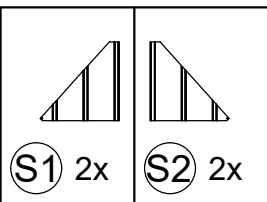
N1 4x



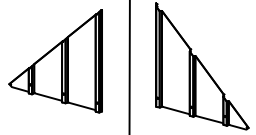
M6x15

1 16x

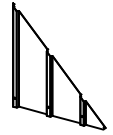
<9>



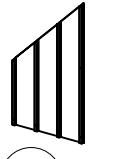
<10>



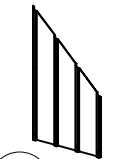
R1 2x



R2 2x



R3 2x



R4 2x



R5 2x



R6 2x



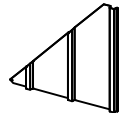
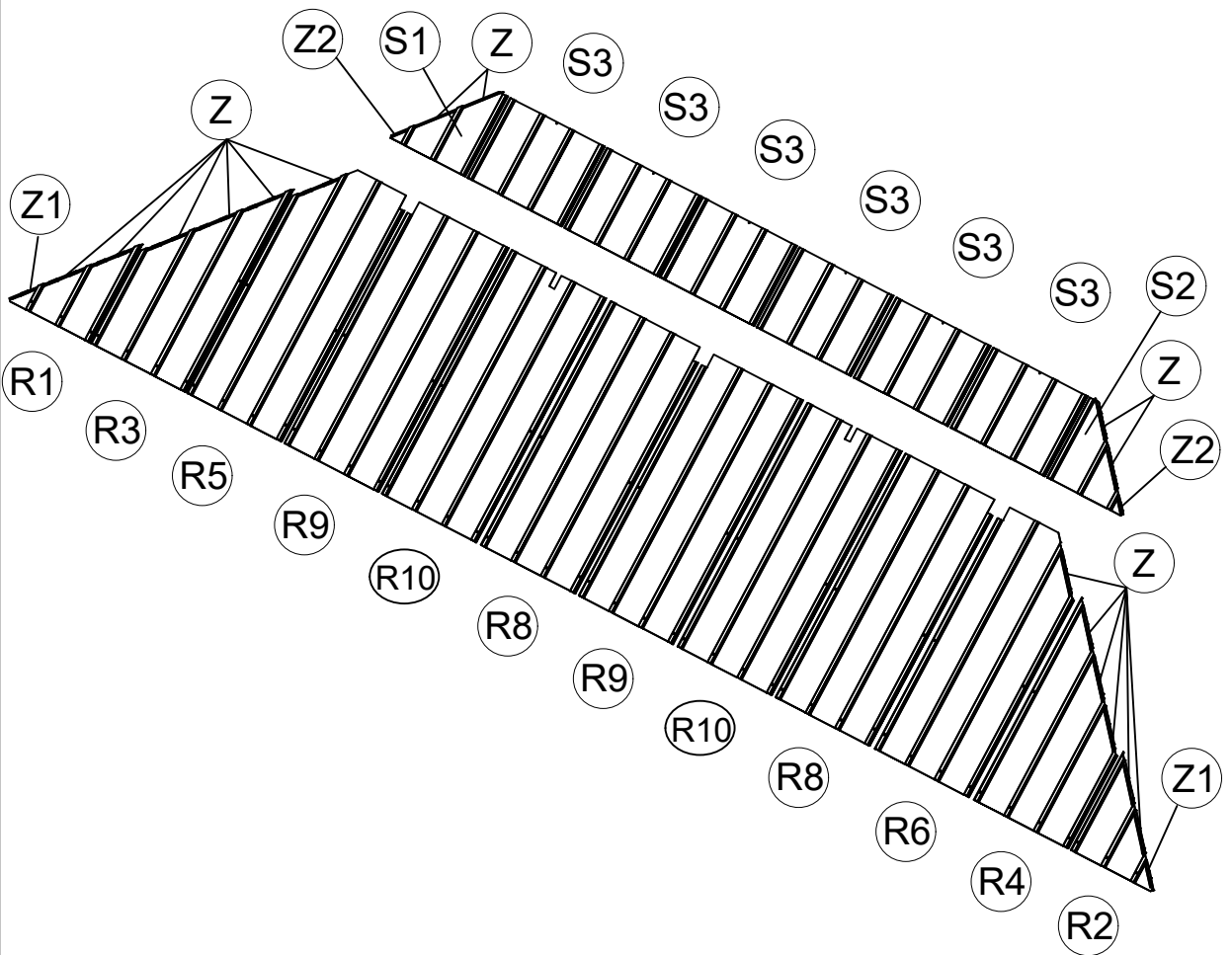
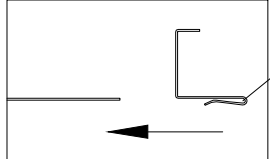
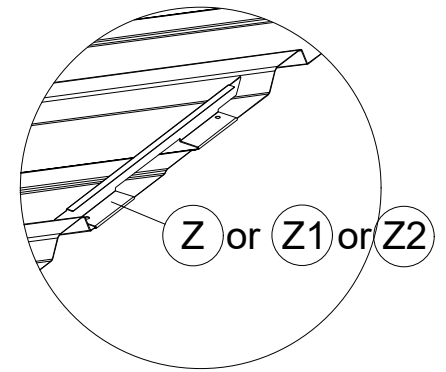
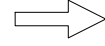
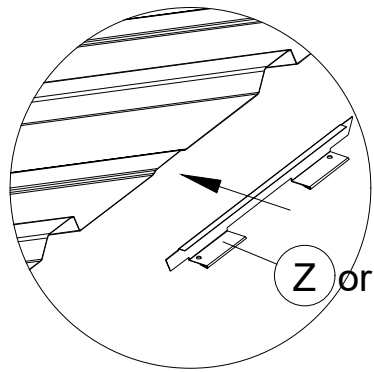
R8 4x



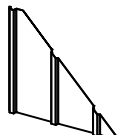
R9 4x



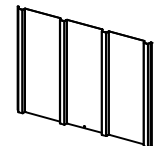
R10 4x



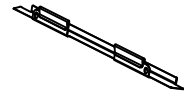
S1 2x



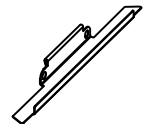
S2 2x



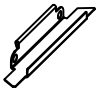
S3 12x



Z 32x

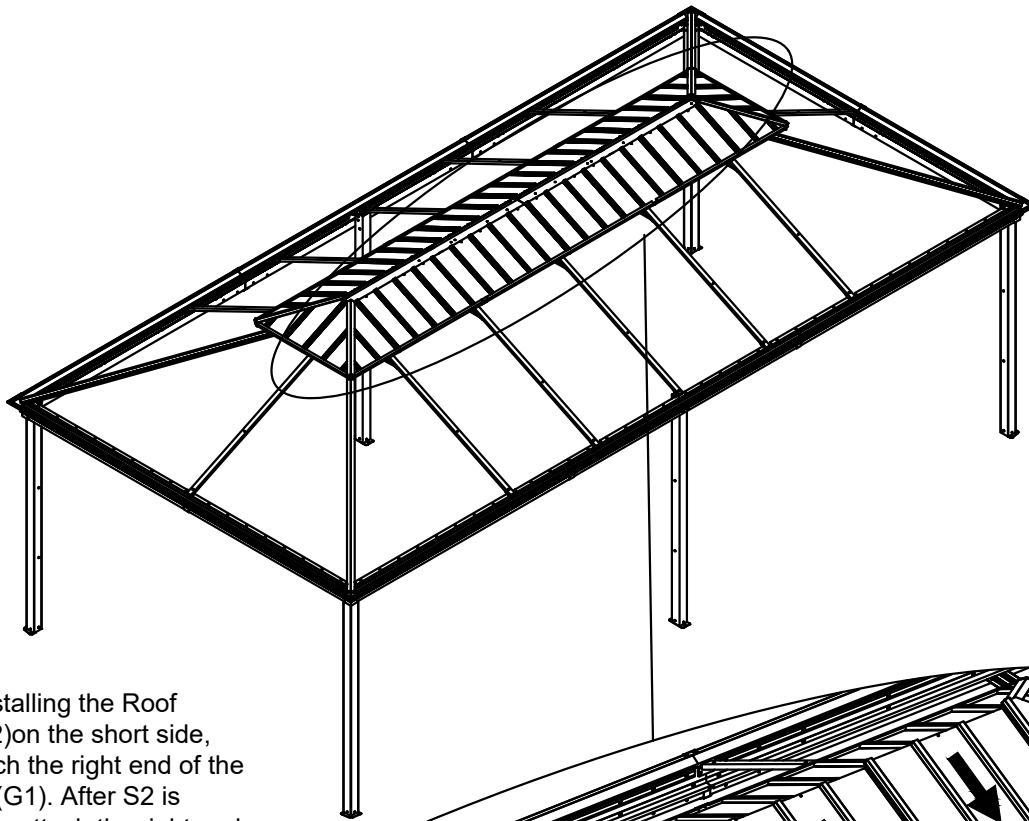


Z1 4x

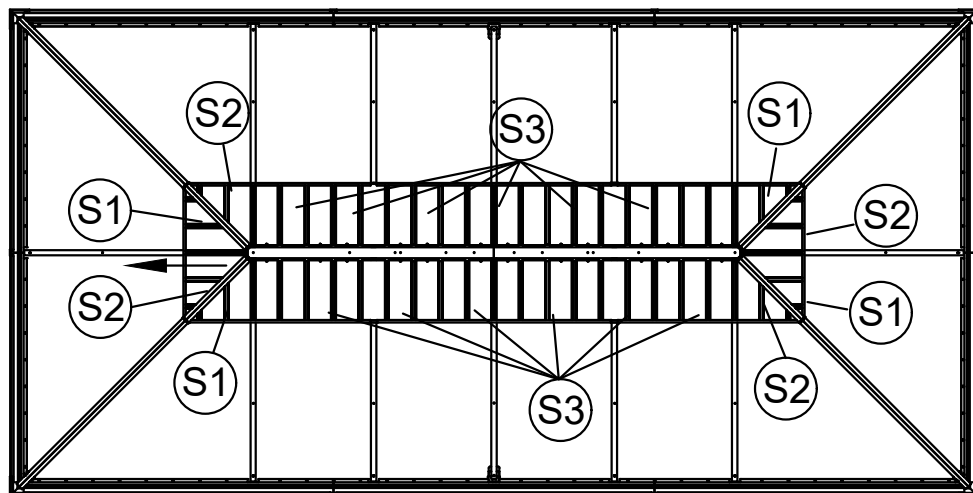
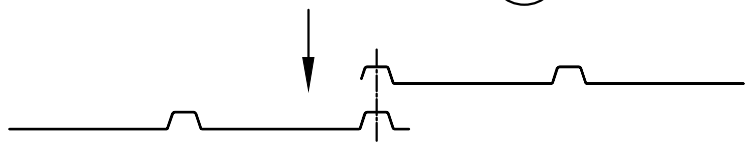
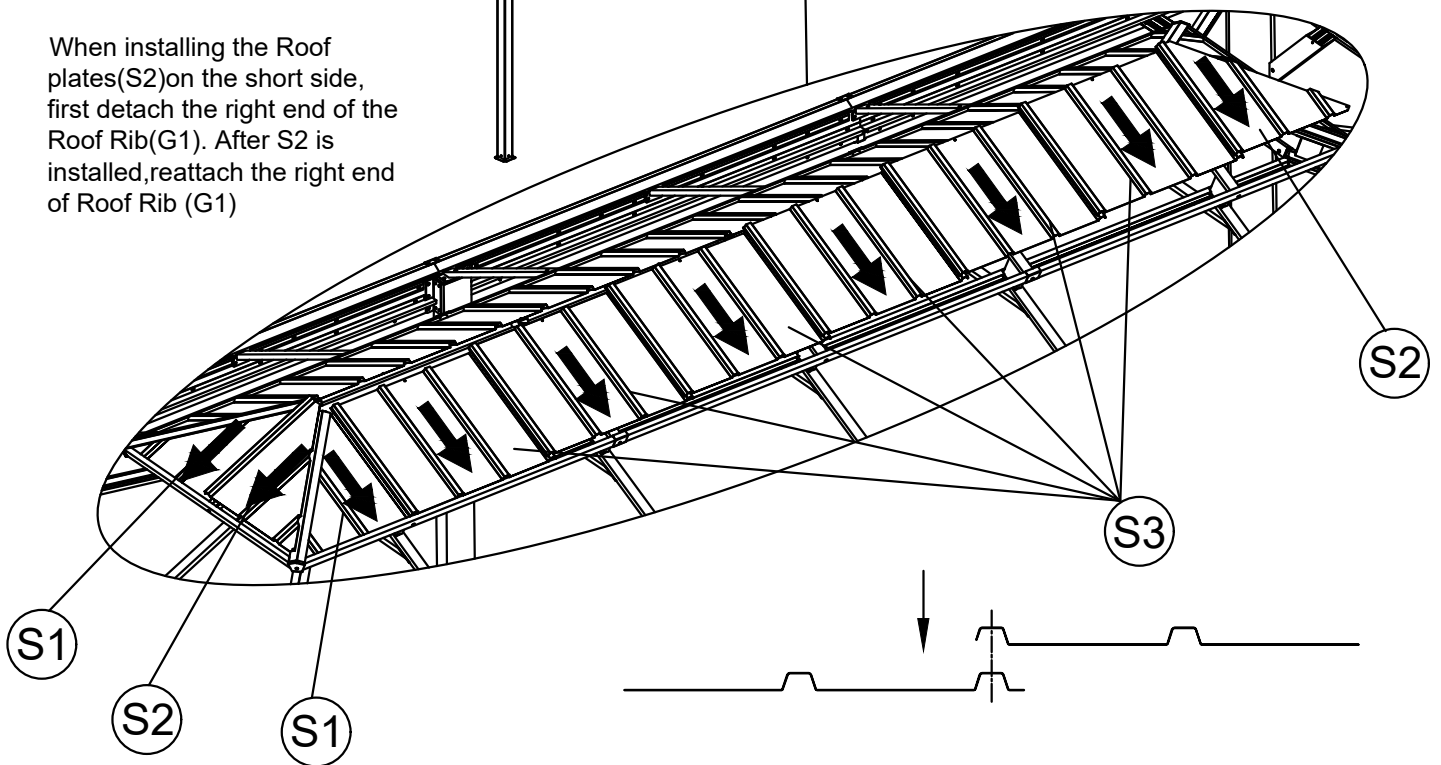


Z2 4x

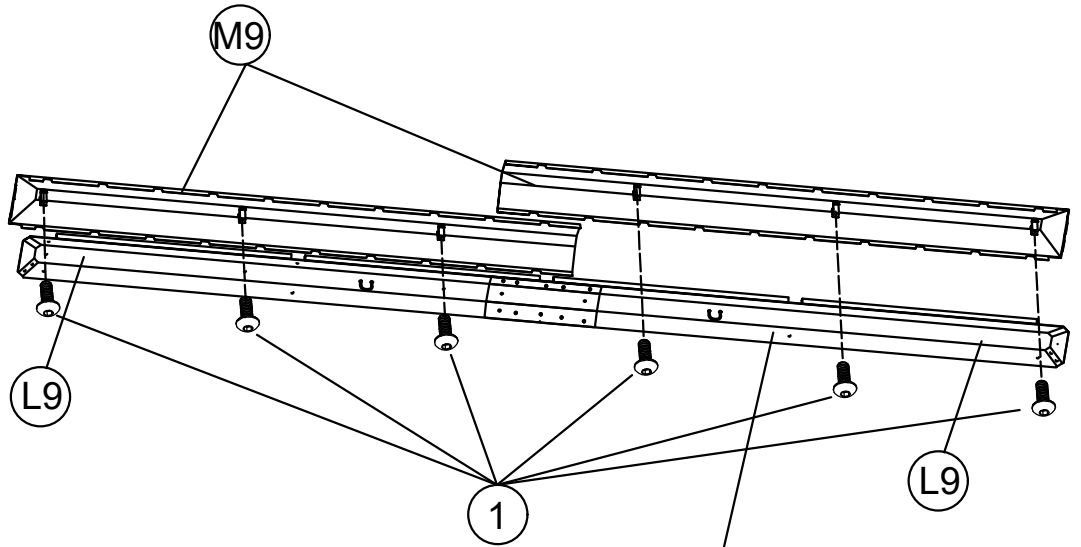
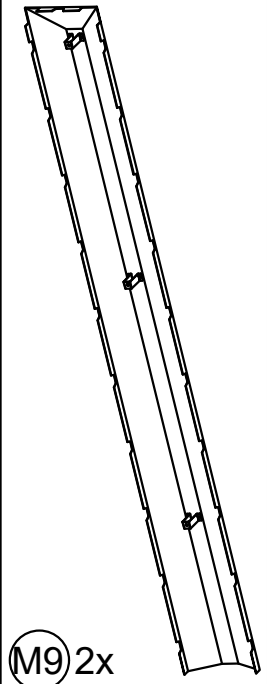
20



When installing the Roof plates(S2)on the short side, first detach the right end of the Roof Rib(G1). After S2 is installed,reattach the right end of Roof Rib (G1)

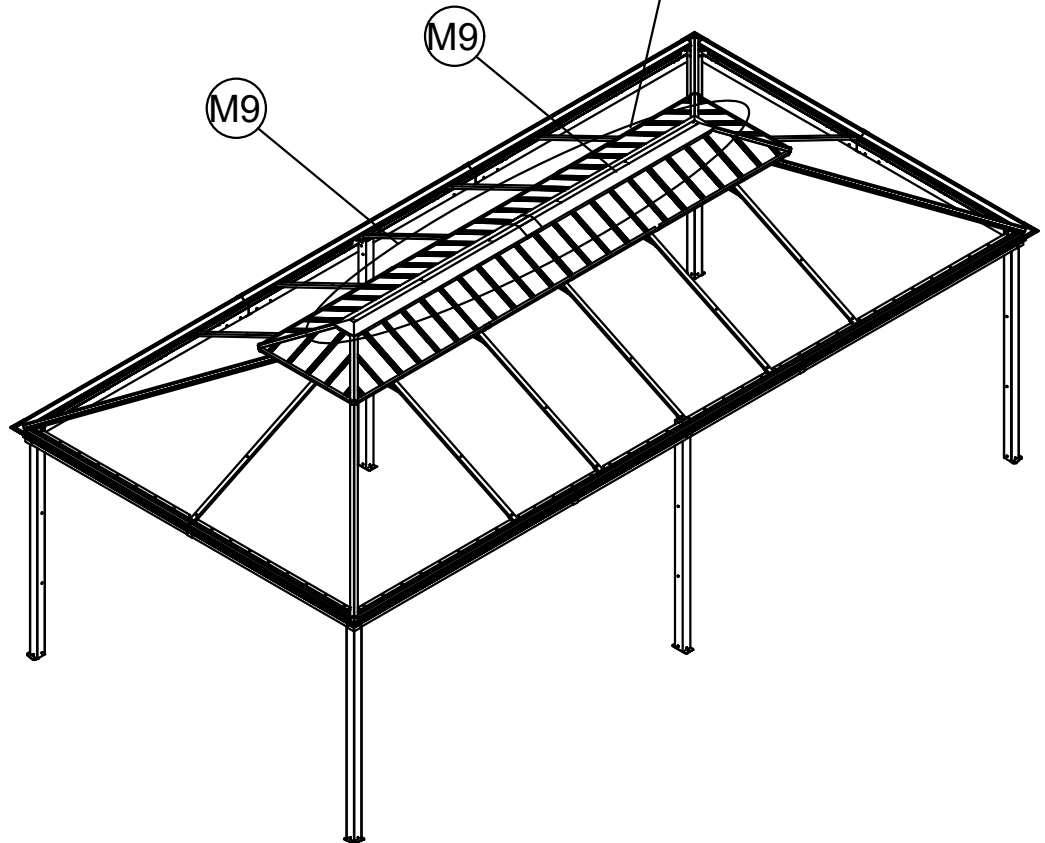


<12>

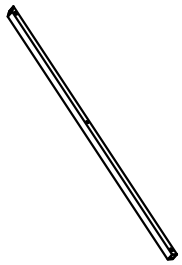


M6x15

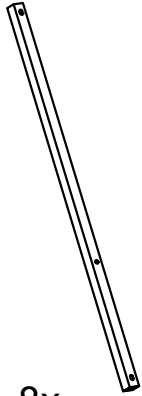
1 6x



<13>



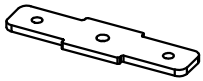
(F1) 8x



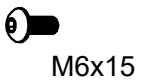
(F4) 8x



(W) 4x

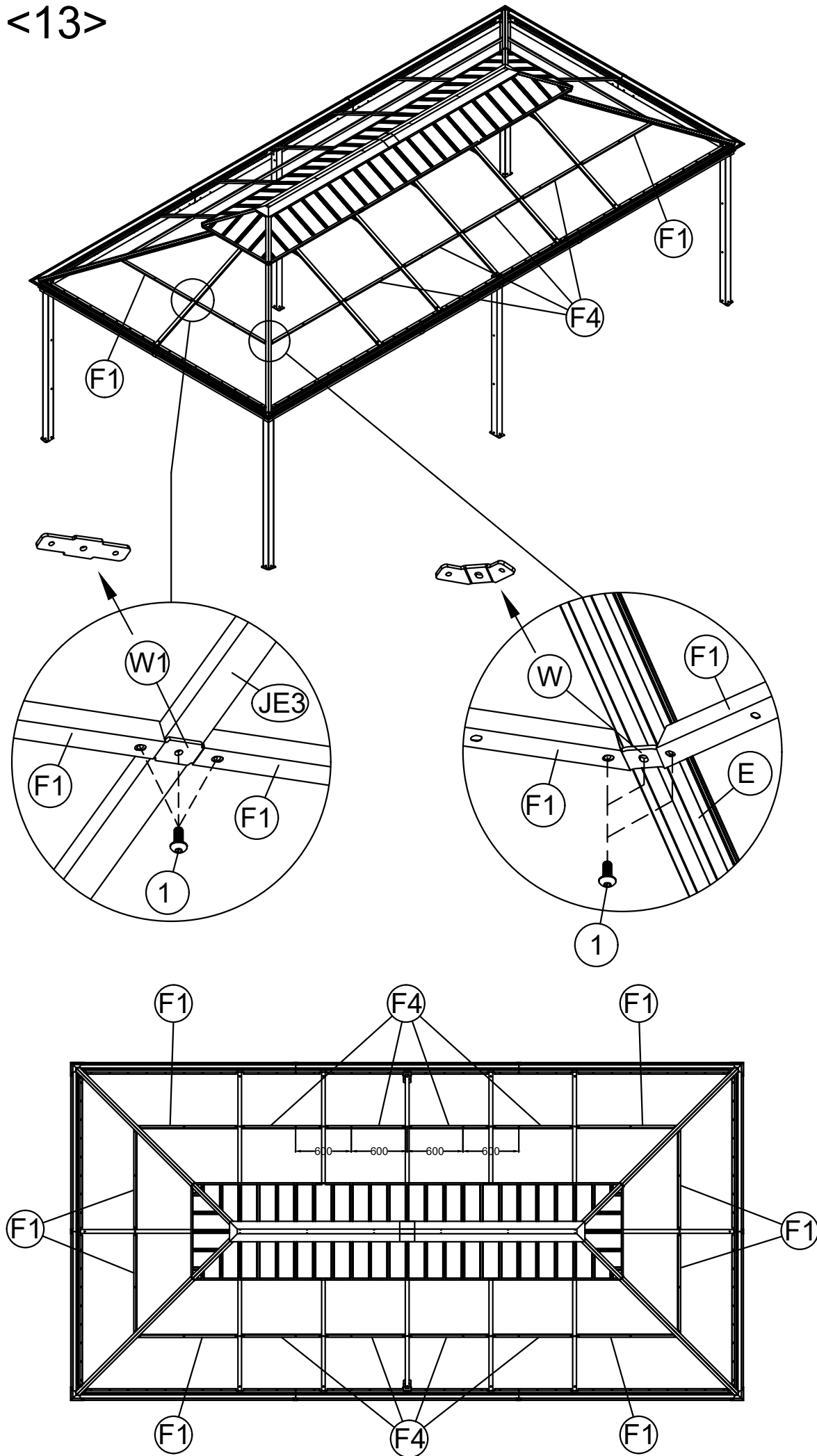


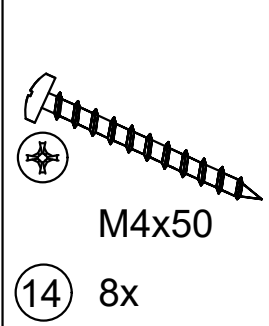
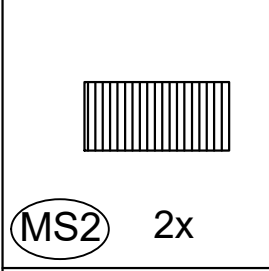
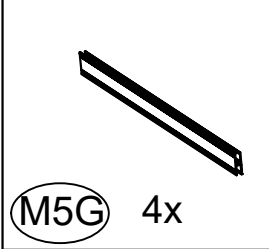
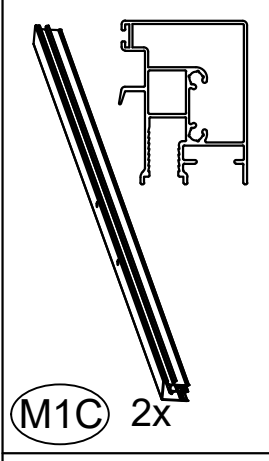
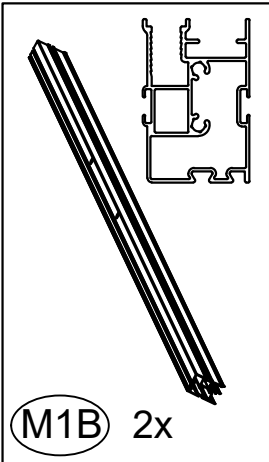
(W1) 12x



M6x15

(1) 48x

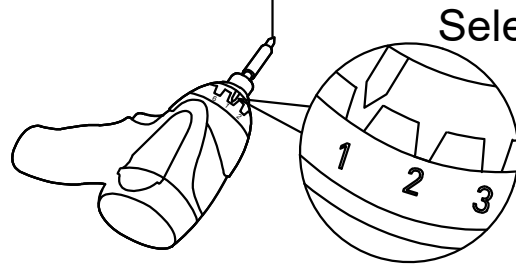
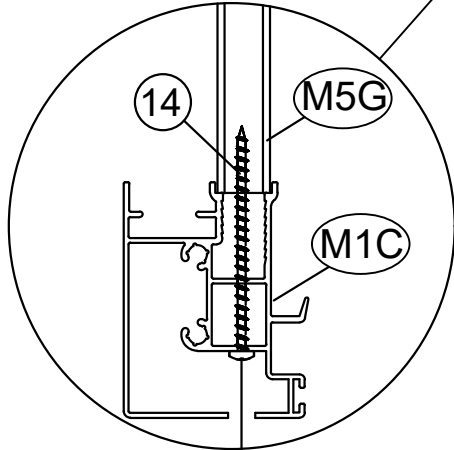
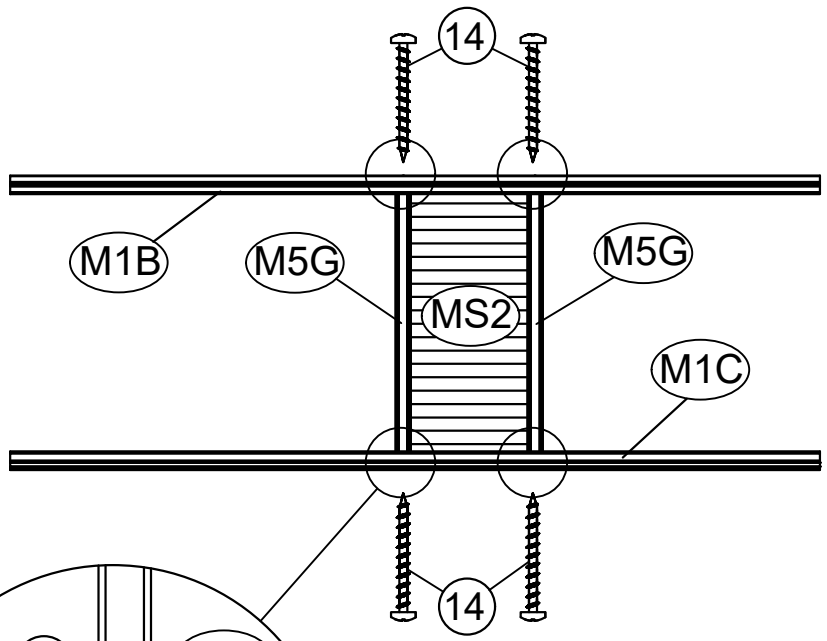




<14>

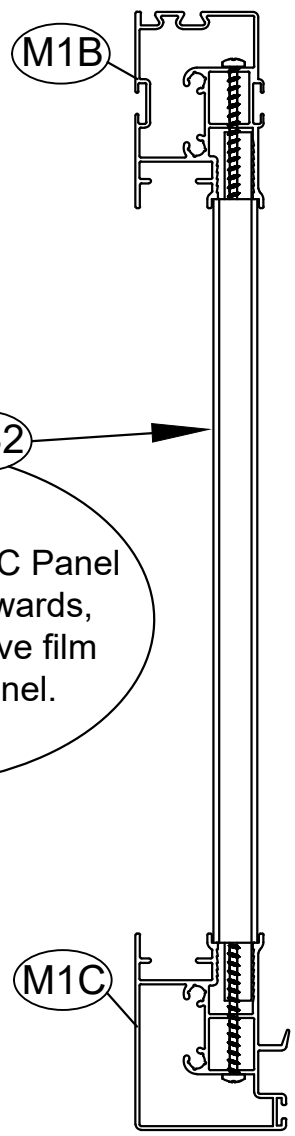
For component AB, repeat two times.

AB 2x

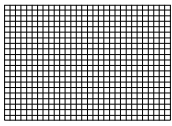


Select the low gear.

MS2  
With the side of the PC Panel with text facing outwards, remove the protective film and install the panel.



The door frame installation template is shown on pages 24 to 30. All subsequent door frames should follow this template.

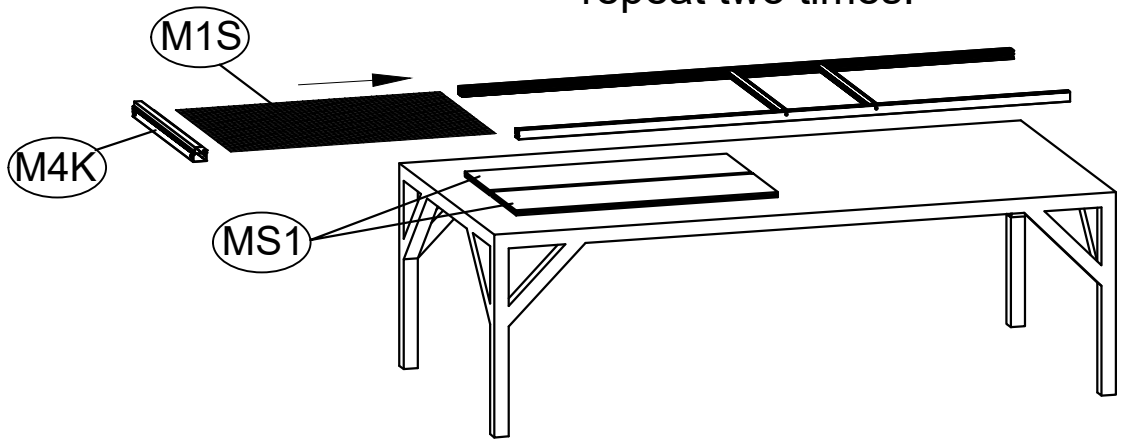


<15>

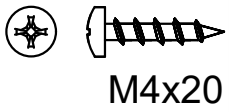
For component AB, repeat two times.

(AB) 2x

(M1S) 2x

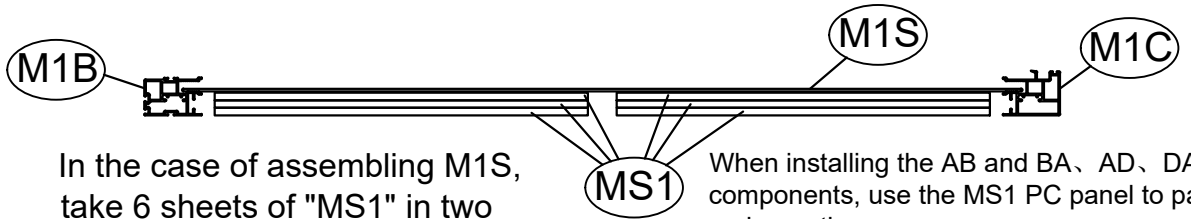


(M4K) 2x



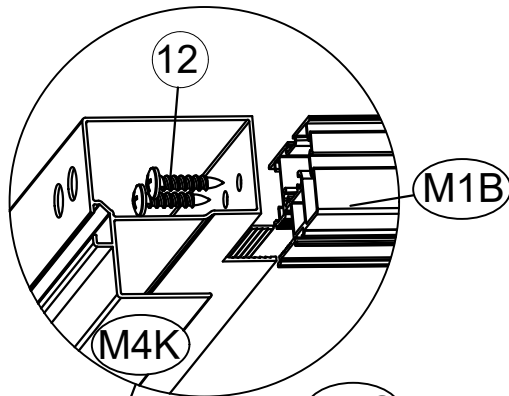
M4x20

(12) 8x

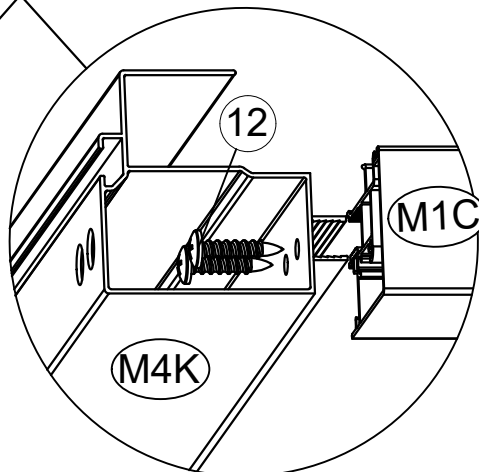
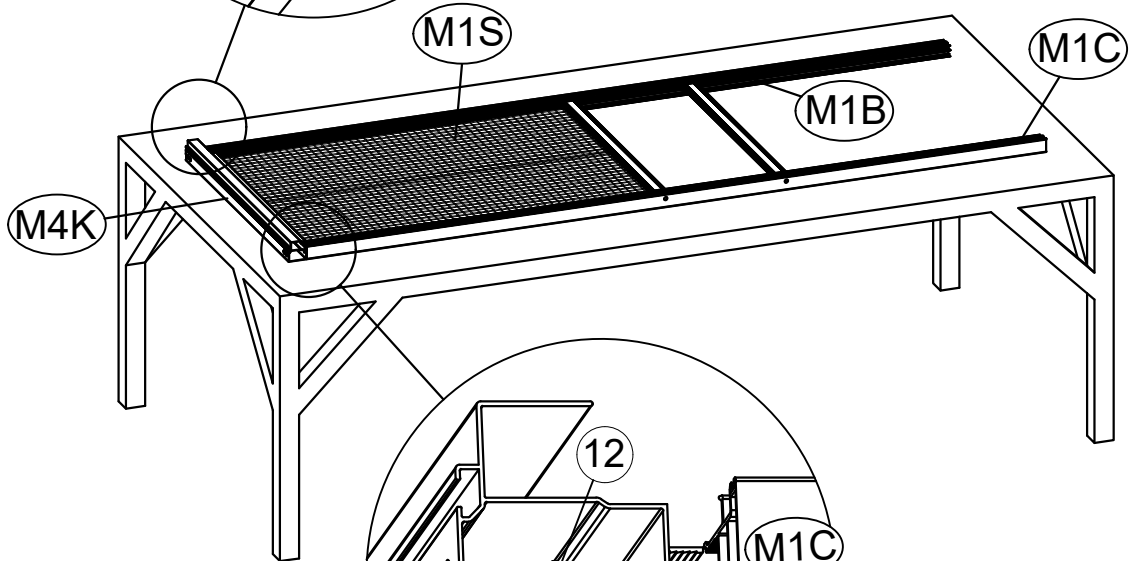


In the case of assembling M1S, take 6 sheets of "MS1" in two piles and stack the bottom, lift the "M1S".

When installing the AB and BA, AD, DA components, use the MS1 PC panel to pad underneath.  
When installing the AC and CA, AE, EA components, use the MS16 PC panel to pad underneath.



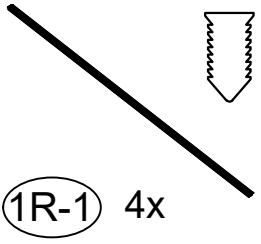
Please pay attention to the details.



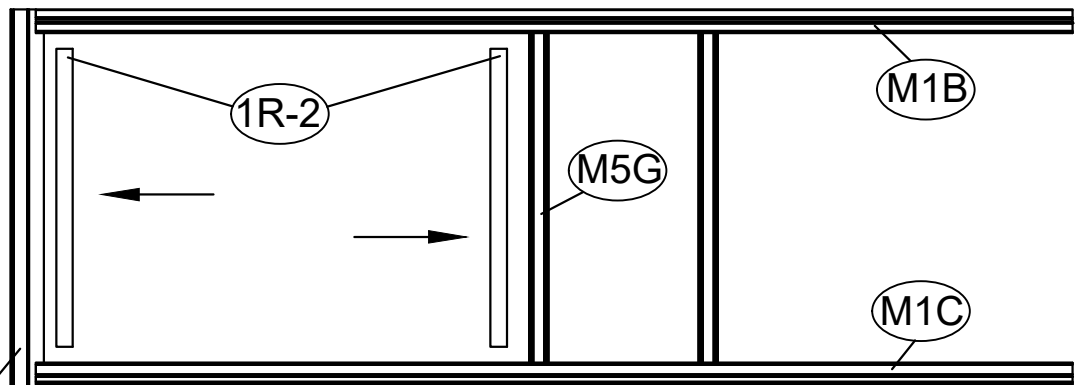
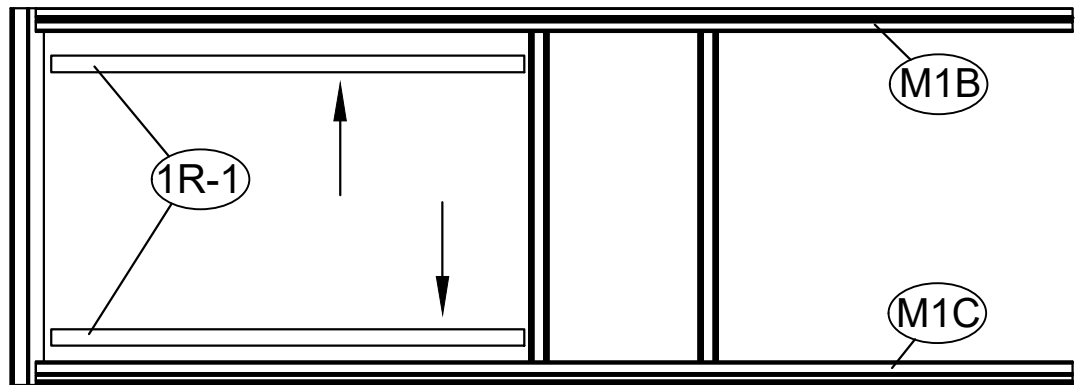
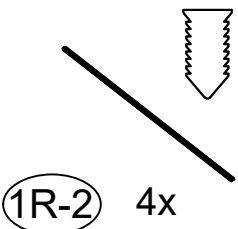
<16>

For component AB,  
repeat two times.

AB 2x



Before installing the parts (1R-1 and 1R-2), move the mesh by hand to ensure makes enough space around the mesh.

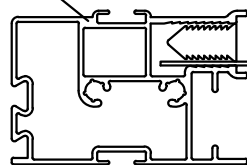


M4K

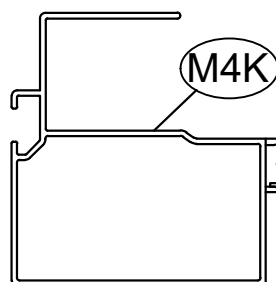
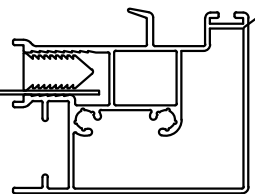
M1B

1R-1

M1C



M1S

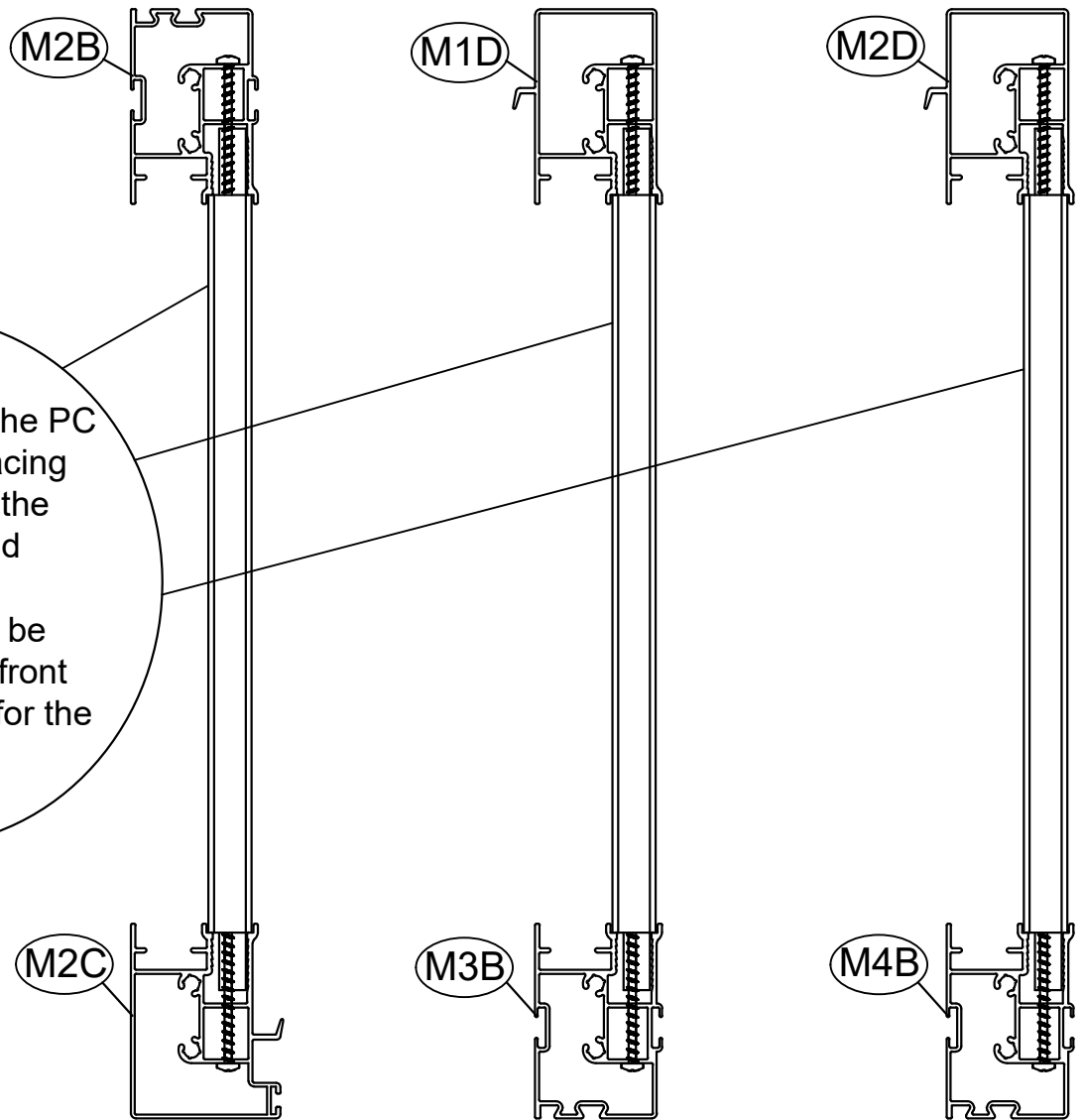


1R-2

M5G

M1S

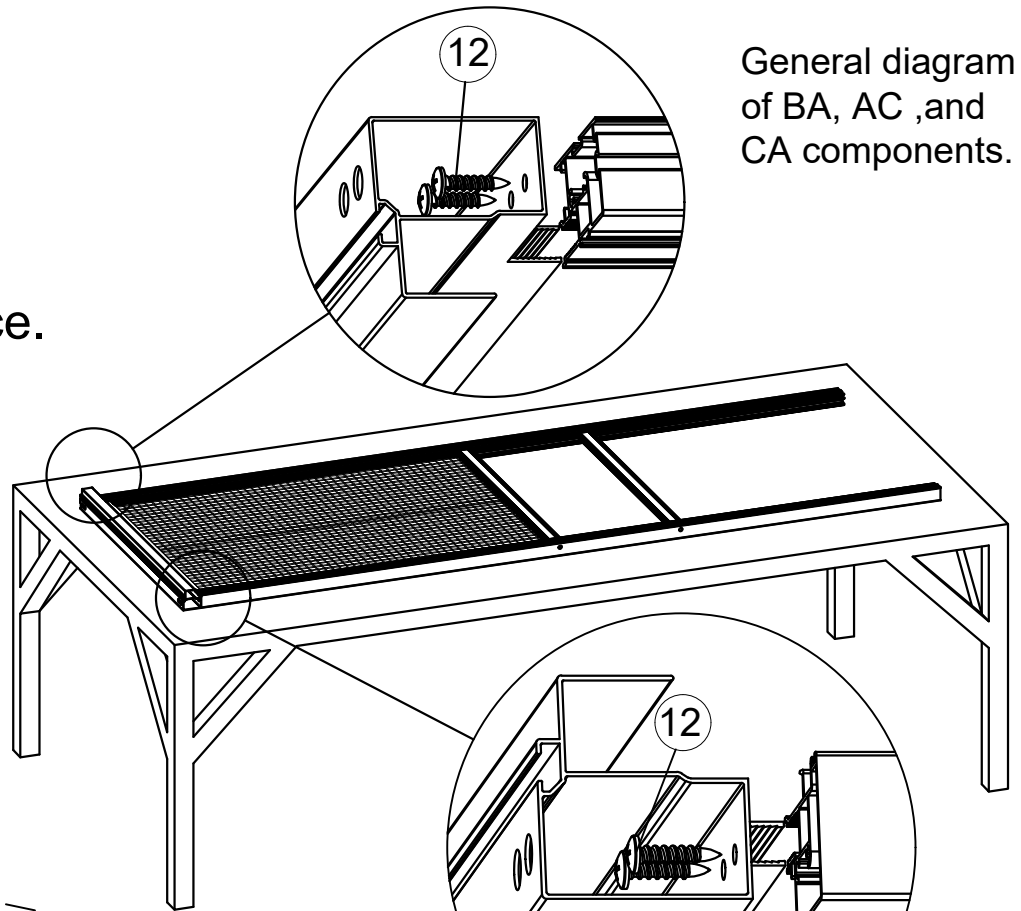
This diagram is for subsequent reference



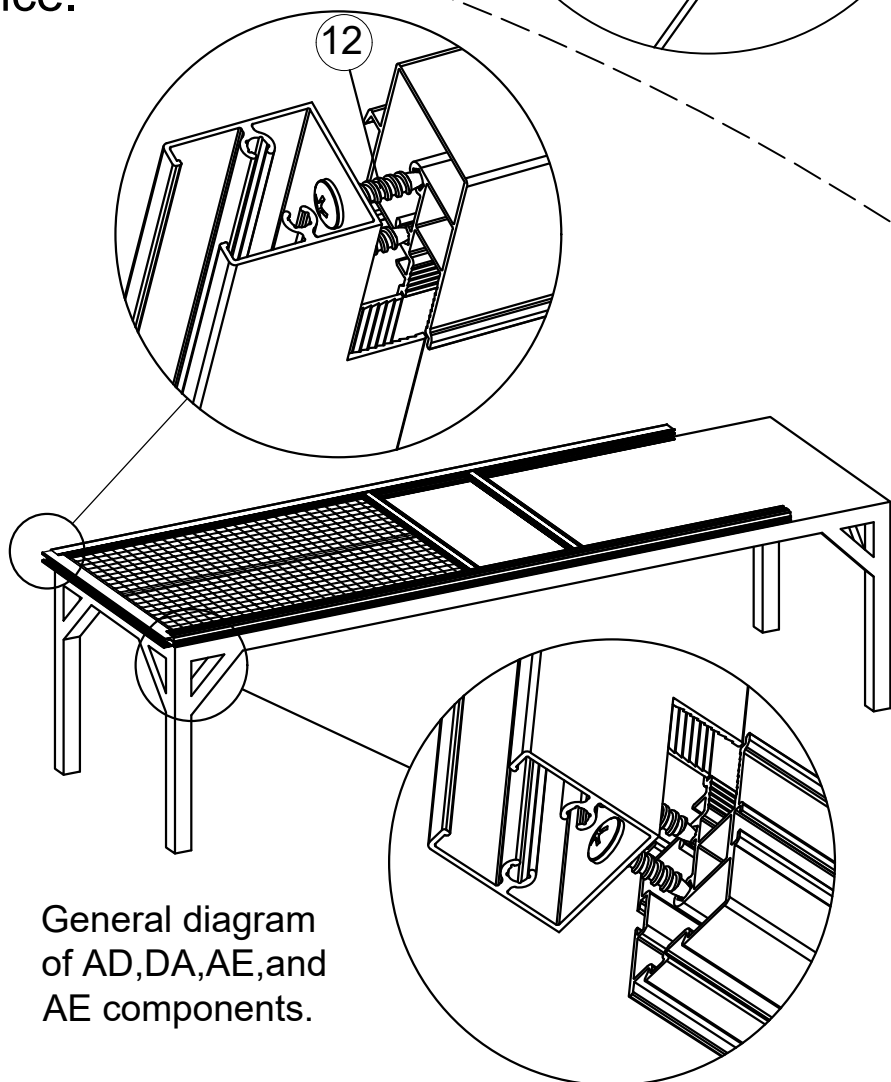
With the side of the PC Panel with text facing outward, tear off the protective film and install it. After installation, be sure to keep the front side unchanged for the next step.

<18>

This diagram is for subsequent reference.



This diagram is for subsequent reference.

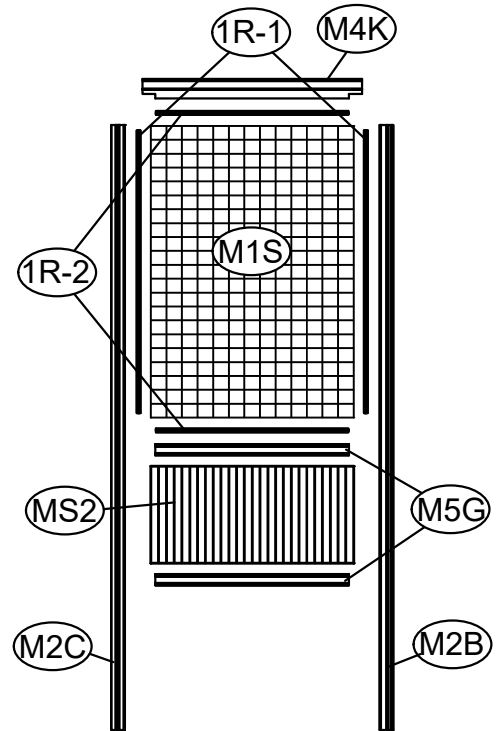


<19>

Install door frame BA, AC, CA, AD, DA, and AE, and EA according to the installation on pages 23 to 29.

- (M4K) 2x
- (1R-1) 4x
- (1R-2) 4x
- (M5G) 4x
- (M1S) 2x
- (MS2) 2x
- (M2B) 2x
- (M2C) 2x
- (14) 8x
- (12) 8x

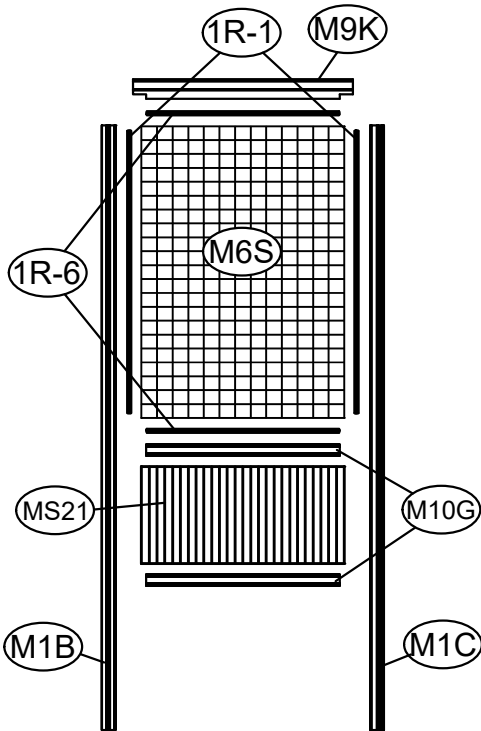
For component BA, repeat two times. (BA) 2x



- (M9K) 4x
- (1R-1) 8x
- (1R-6) 8x
- (M10G) 8x
- (M6S) 4x
- (MS21) 4x
- (M1B) 4x
- (M1C) 4x
- (14) 16x
- (12) 16x

For component AC, repeat four times.

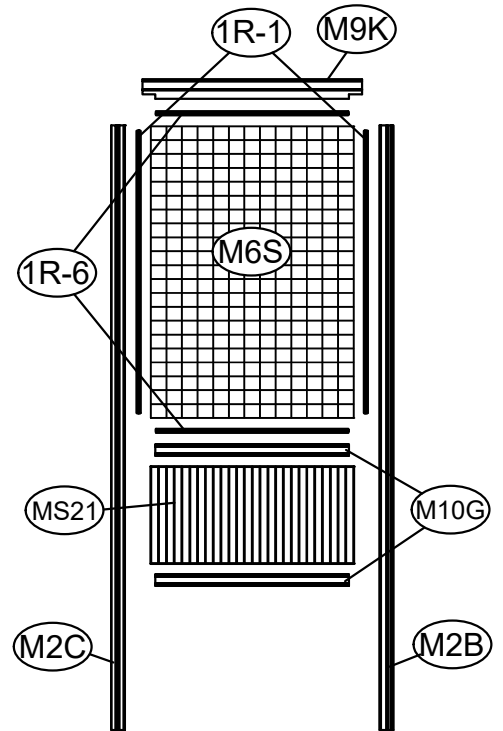
(AC) 4x



- (M9K) 4x
- (1R-1) 8x
- (1R-6) 8x
- (M10G) 8x
- (M6S) 4x
- (MS21) 4x
- (M2B) 4x
- (M2C) 4x
- (14) 16x
- (12) 16x

For component CA, repeat four times.

(CA) 4x



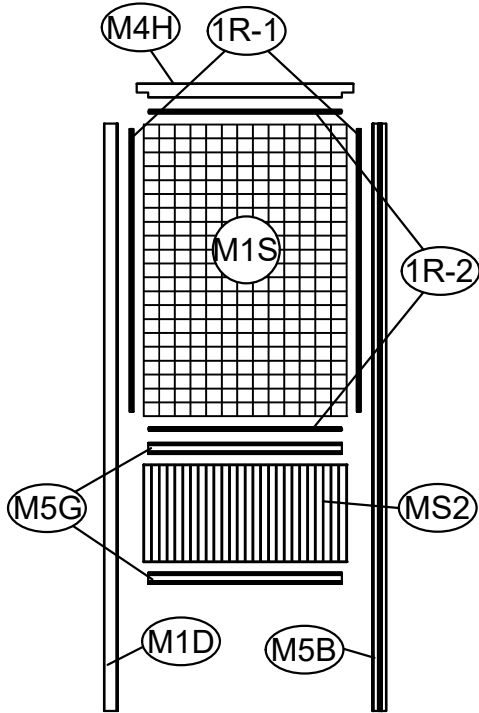
Component AB is symmetric to BA, and AC is symmetric to CA.

- (M4H) 2x
- (1R-1) 4x
- (1R-2) 4x
- (M5G) 4x
- (M1S) 2x
- (MS2) 2x
- (M5B) 2x
- (M1D) 2x
- (14) 8x
- (12) 8x

<20>

(AD) 2x

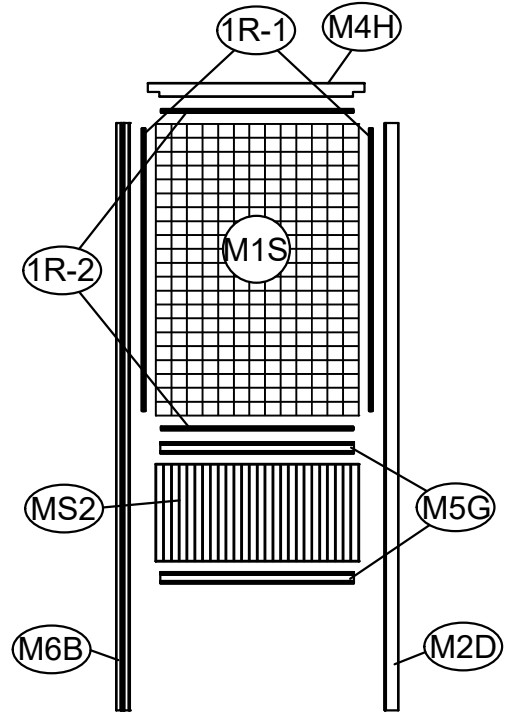
For component AD,  
repeat two times.



- (M4H) 2x
- (1R-1) 4x
- (1R-2) 4x
- (M5G) 4x
- (M1S) 2x
- (MS2) 2x
- (M6B) 2x
- (M2D) 2x
- (14) 8x
- (12) 8x

For component DA,  
repeat two times.

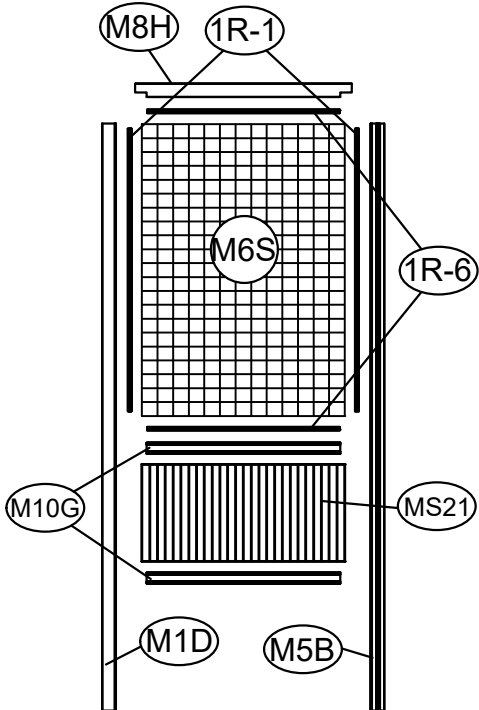
(DA) 2x



- (M8H) 4x
- (1R-1) 8x
- (1R-6) 8x
- (M10G) 8x
- (M6S) 4x
- (MS21) 4x
- (M5B) 4x
- (M1D) 4x
- (14) 16x
- (12) 16x

For component AE,  
repeat four times.

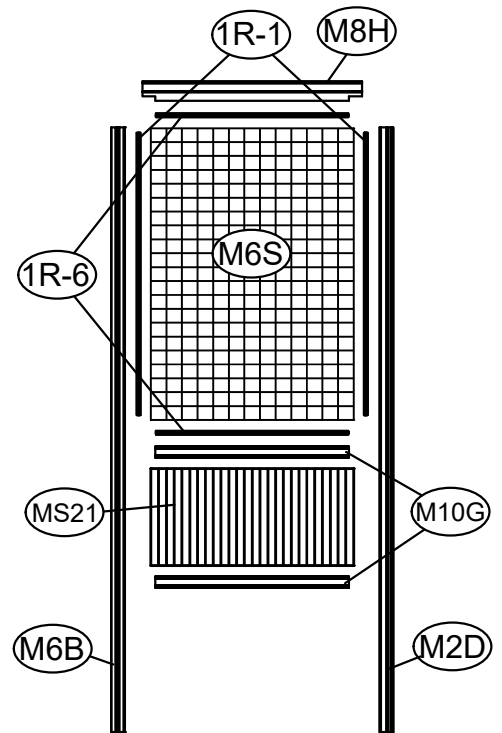
(AE) 4x



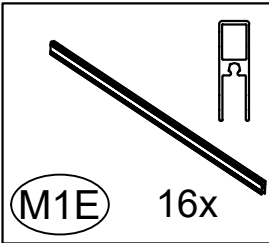
- (M8H) 4x
- (1R-1) 8x
- (1R-6) 8x
- (M10G) 8x
- (M6S) 4x
- (MS21) 4x
- (M6B) 4x
- (M2D) 4x
- (14) 16x
- (12) 16x

For component EA,  
repeat four times.

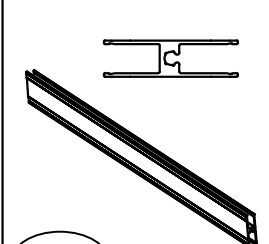
(EA) 4x



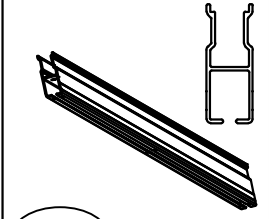
Component AD is symmetric  
to DA, and AE is symmetric  
to EA.



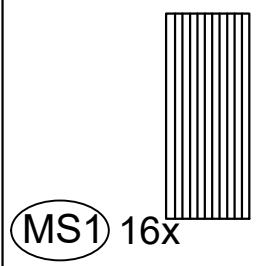
M1E 16x



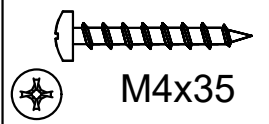
M1G 8x



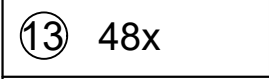
M4L 16x



MS1 16x



M4x35

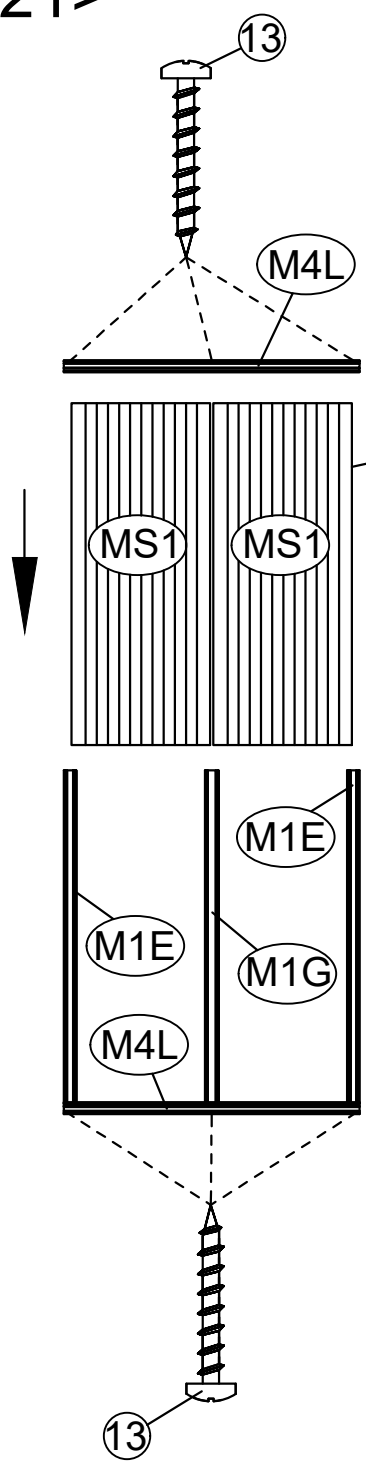


13 48x

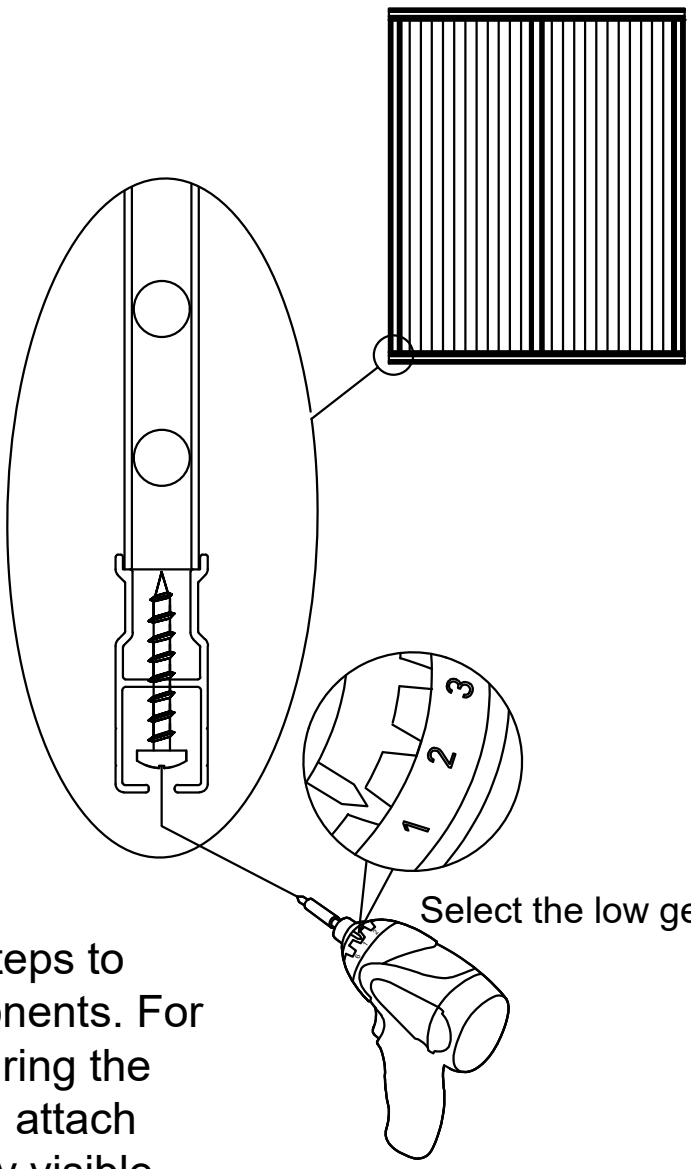
<21>

For component AF, repeat eight times.

AF 8x

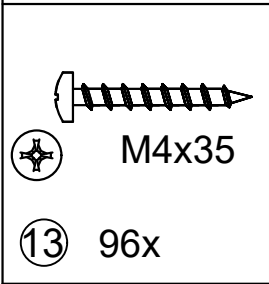
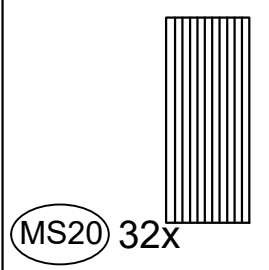
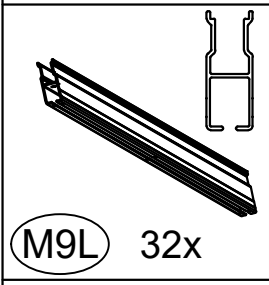
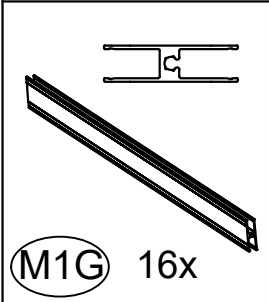
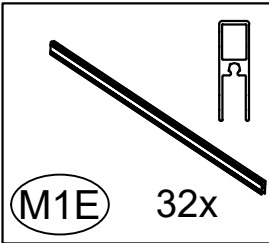


With the side of the PC panel with the text facing outward, tear off the protective film and install it. After installation, be sure to keep the front side unchanged for the next step.



Select the low gear.

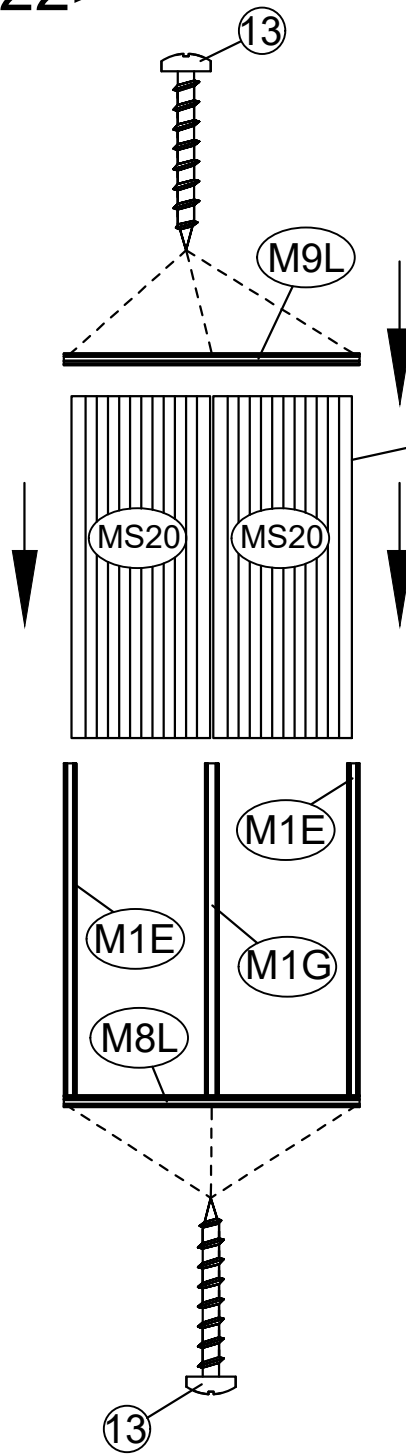
Repeat the previous steps to assemble 8 AF components. For easier identification during the subsequent assembly, attach an "AF" label to a clearly visible position on the front side.



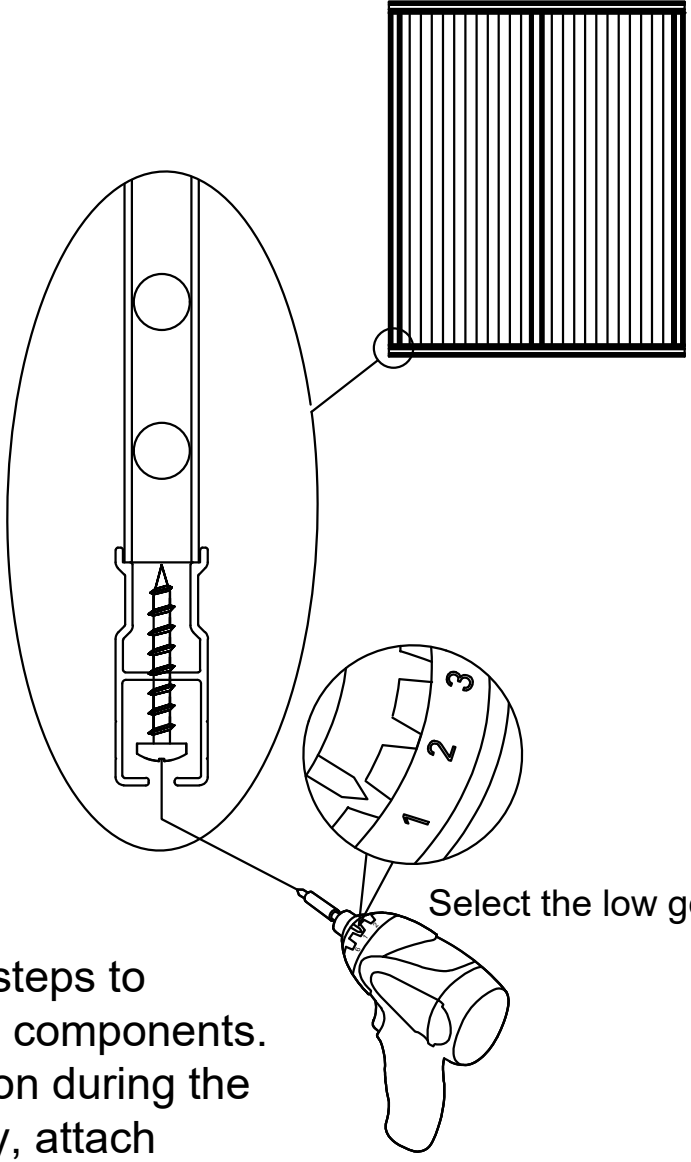
<22>

For component AG, repeat sixteen times.

AG 16x

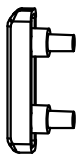


With the side of the PC panel with the text facing outward, tear off the protective film and install it. After installation, be sure to keep the front side unchanged for the next step.



Select the low gear.

Repeat the previous steps to assemble sixteen AG components. For easier identification during the subsequent assembly, attach an "AG" label to a clearly visible position on the front side.

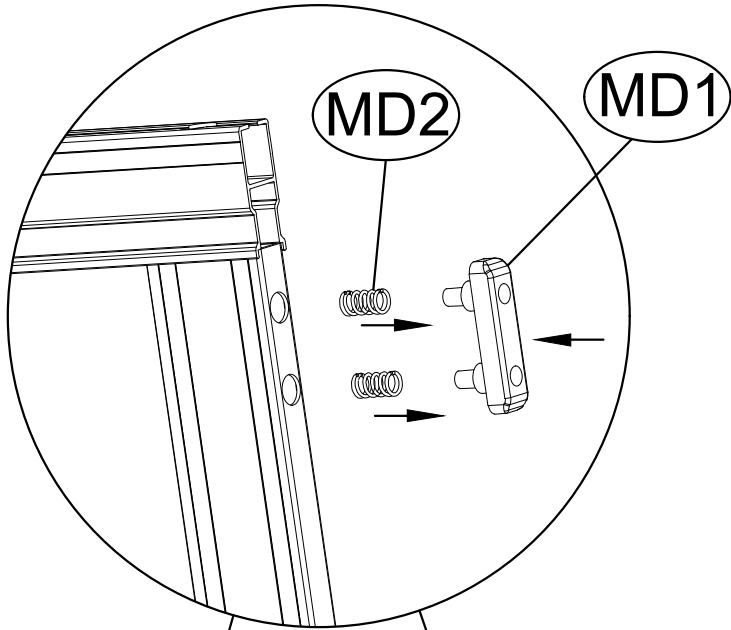


<23>

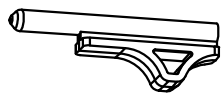
AF 8x

AG 16x

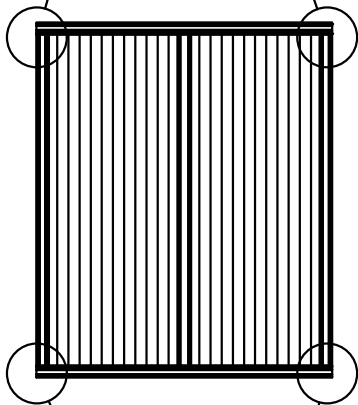
MD1 96x



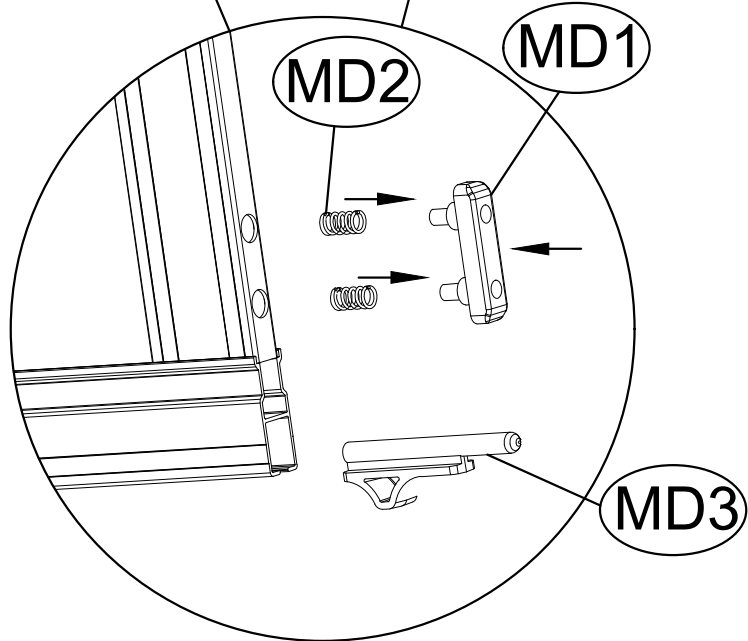
MD2 192x



MD3 48x

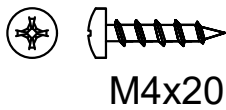
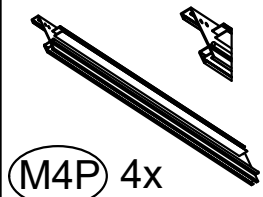
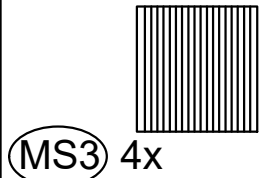
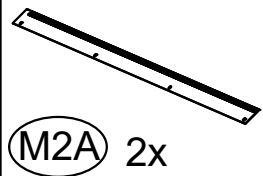
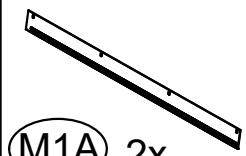


It is recommended that this step be assembled alongwith the next step.

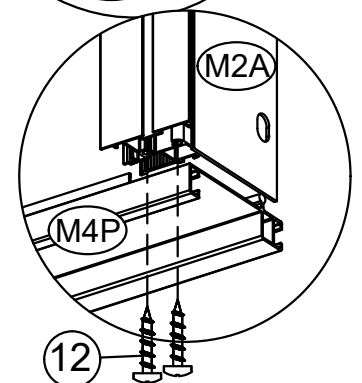
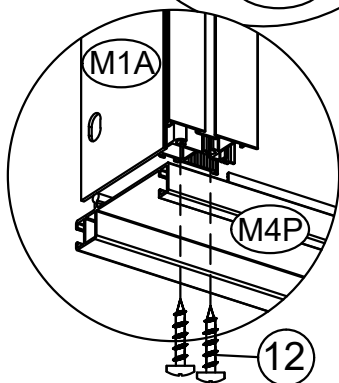
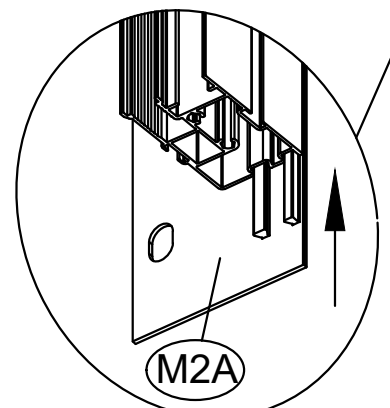
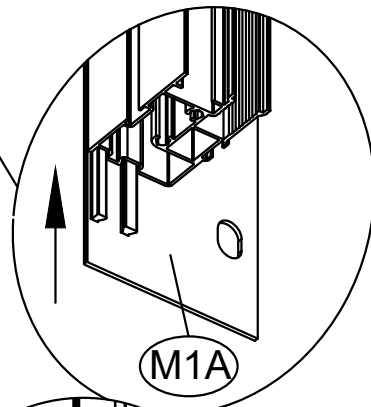
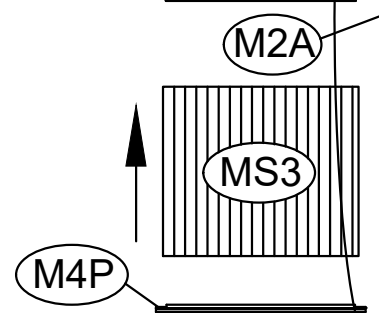
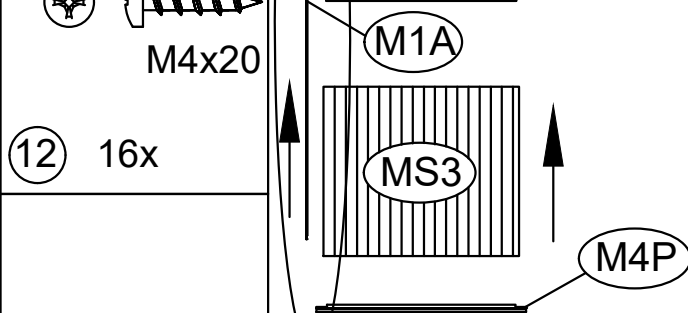
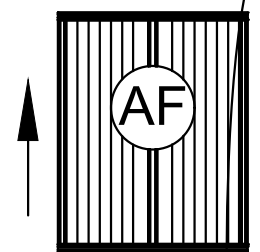
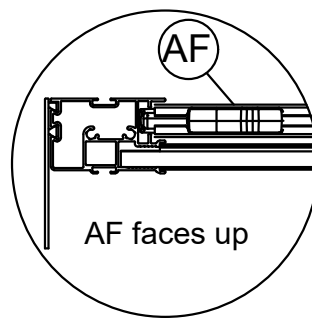
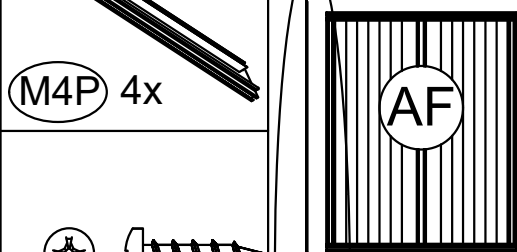
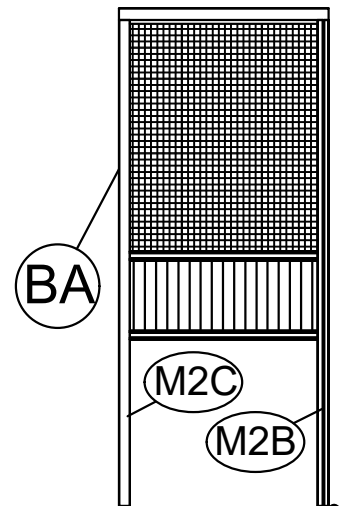
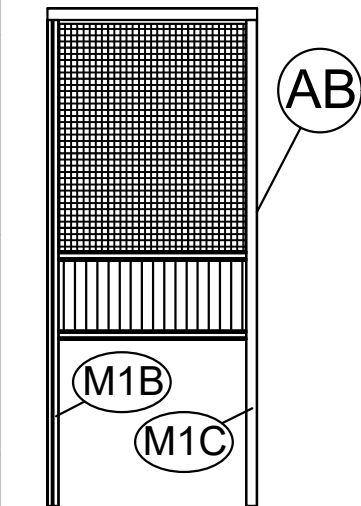


<24>

(AB) 2x (BA) 2X



(12) 16x

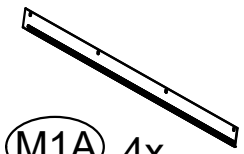


34

(12)

<25>

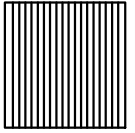
AC 4x CA 4x



M1A 4x



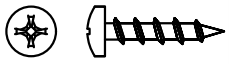
M2A 4x



MS22 8x

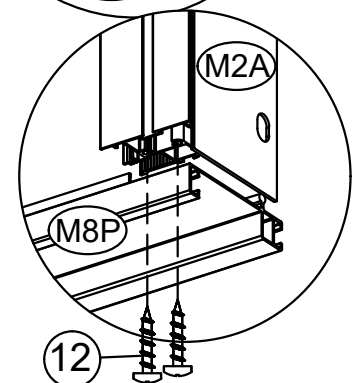
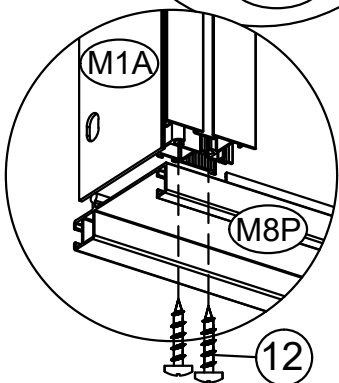
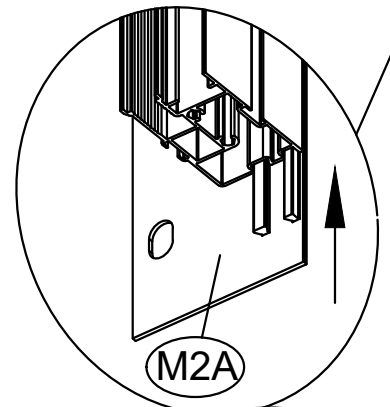
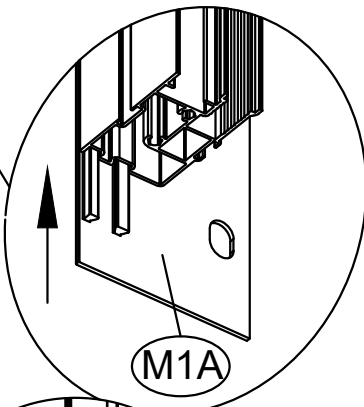
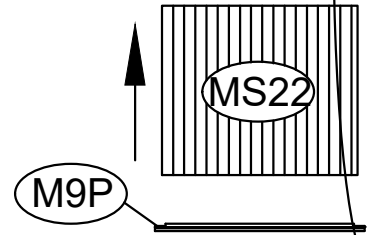
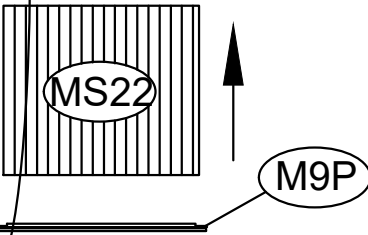
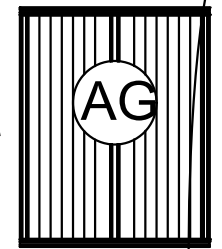
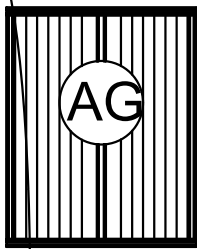
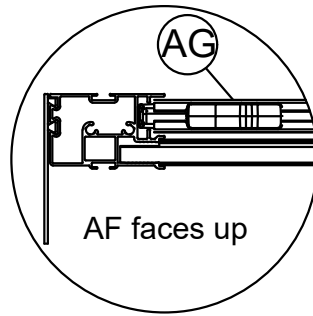
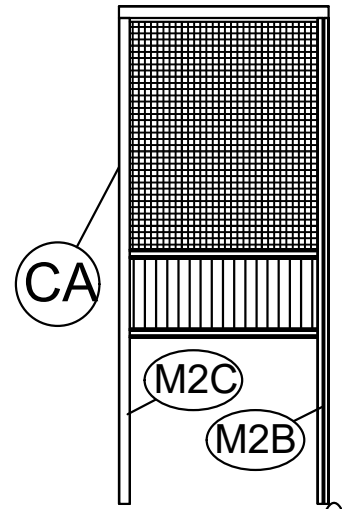
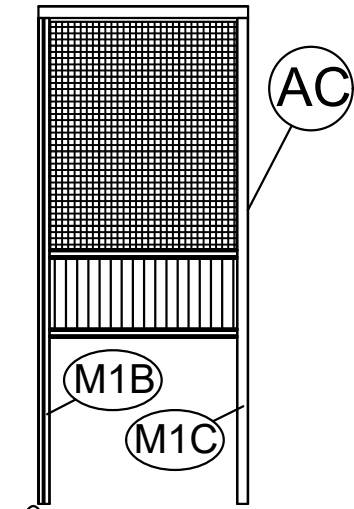


M9P 8x

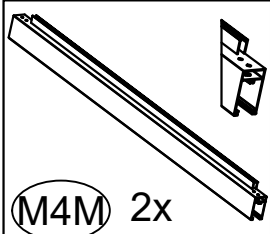


M4x20

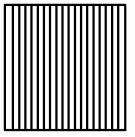
12 32x



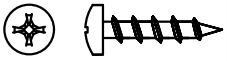
35



M4M 2x



MS4 2x

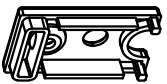


M4x20

12 16x



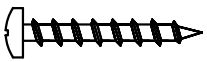
MD5 4x



MD4 4x



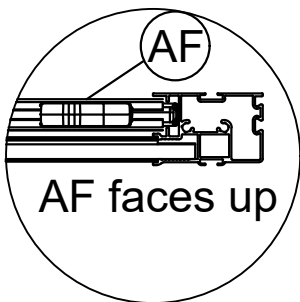
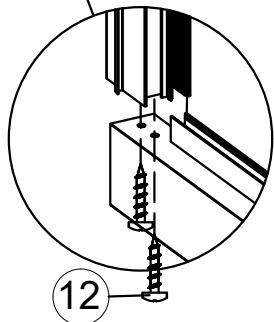
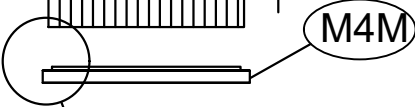
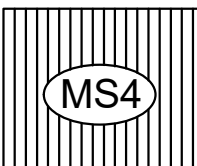
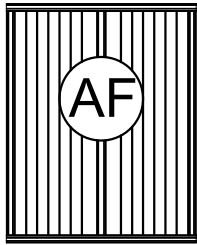
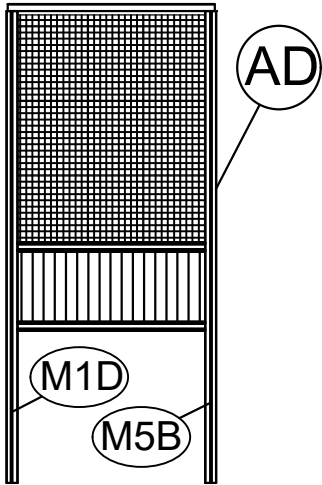
4-1 4x



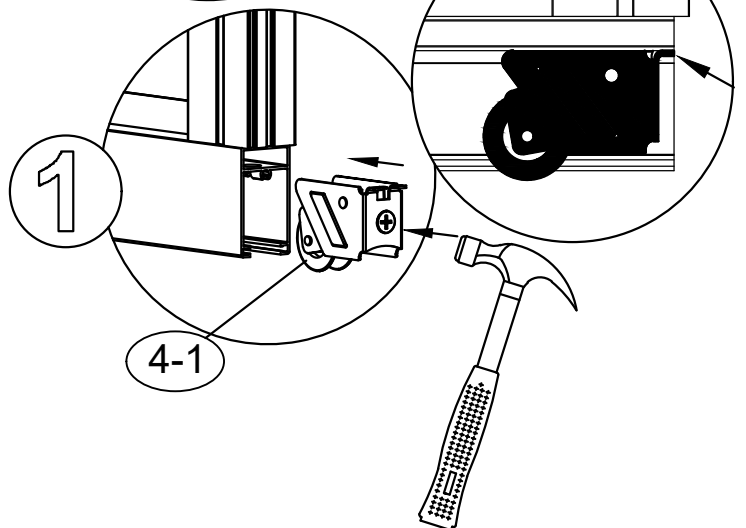
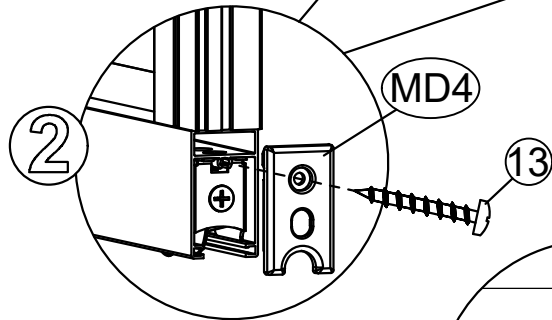
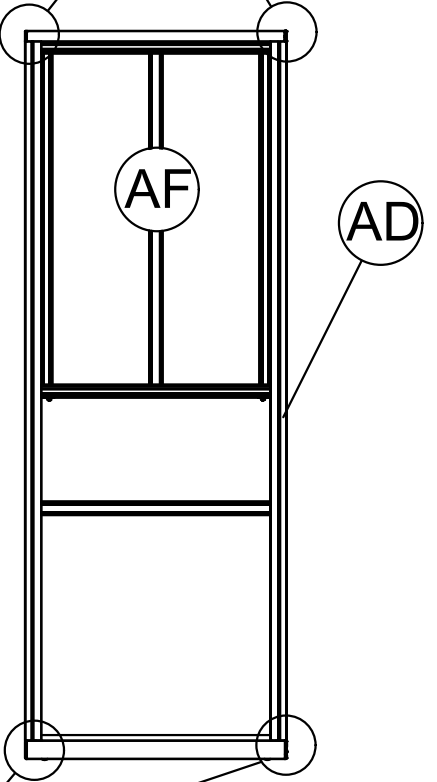
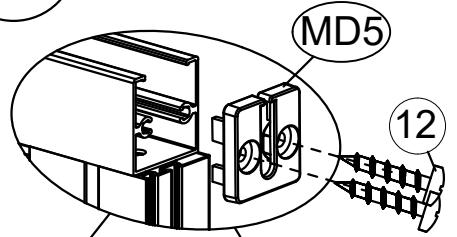
M4x35

13 4x

<26>



AD 2X



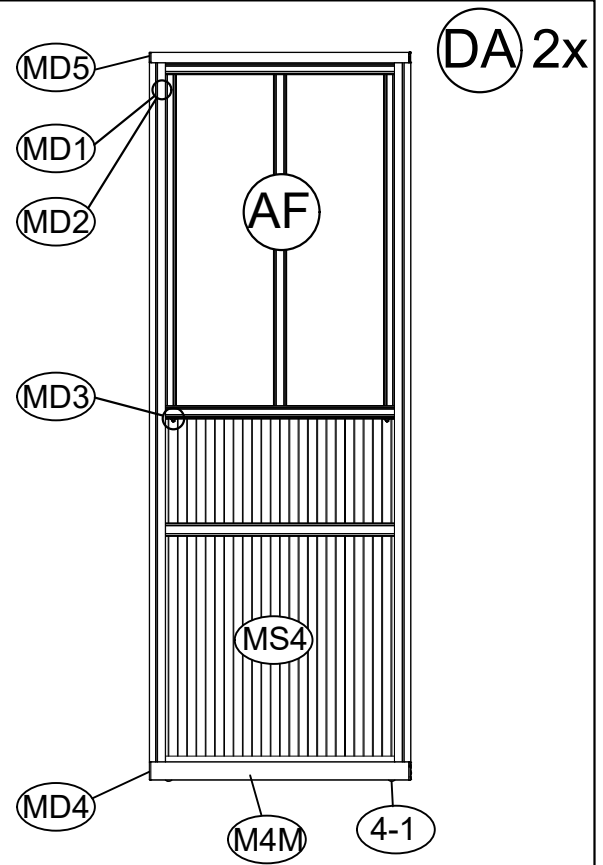
36

Tap gently so that the pulley is flush with the profile.

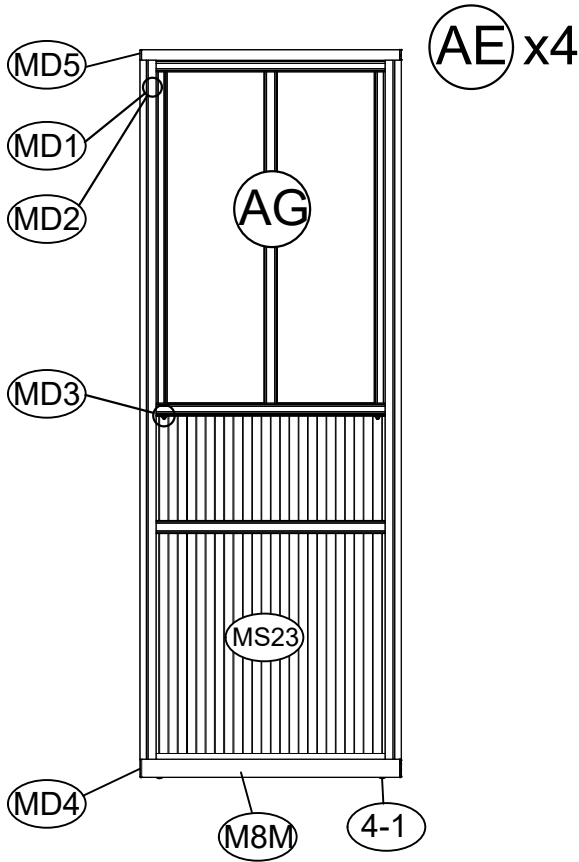
<27>

Install door frame DA, AE, and EA according to the installation on pages 34 to 35.

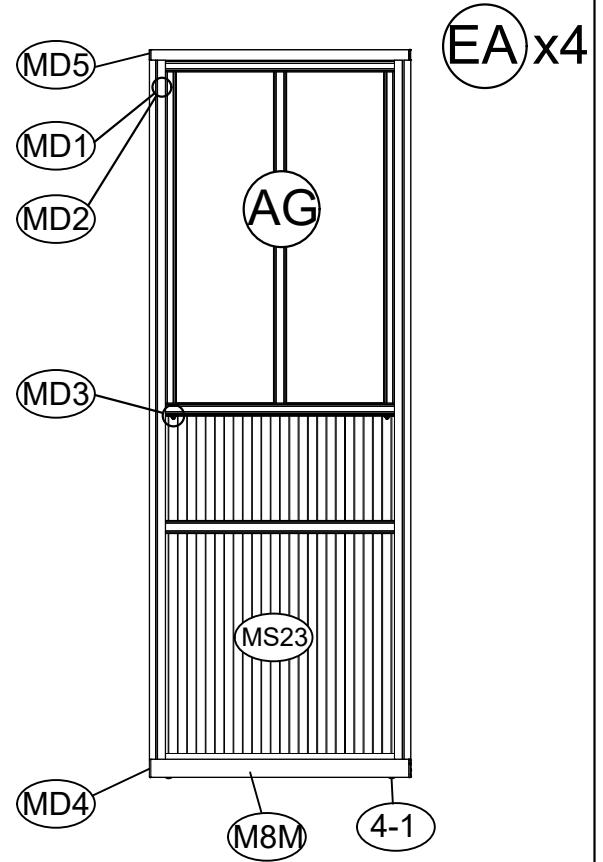
- (M4M) 2x
- (MS4) 2x
- (MD4) 4x
- (MD5) 4x
- (4-1) 4x
- (12) 16x
- (13) 4x



- (M8M) 4x
- (MS23) 4x
- (MD4) 8x
- (MD5) 8x
- (4-1) 8x
- (12) 32x
- (13) 8x



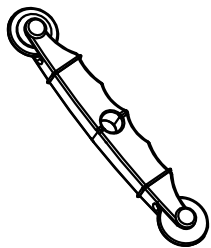
- (M8M) 4x
- (MS23) 4x
- (MD4) 8x
- (MD5) 8x
- (4-1) 8x
- (12) 32x
- (13) 8x



Component AD is symmetric to DA, AE is symmetric to EA.



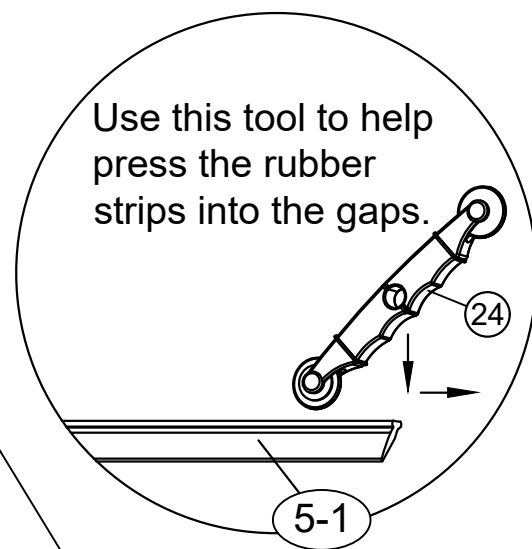
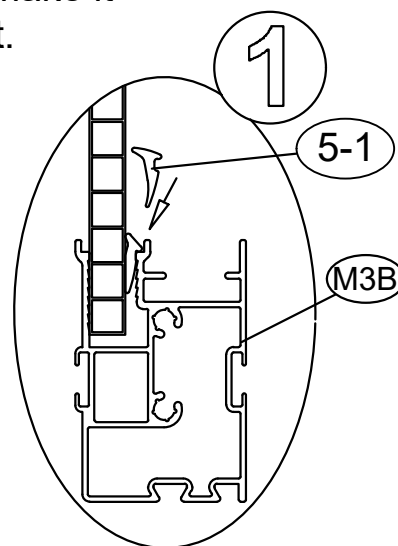
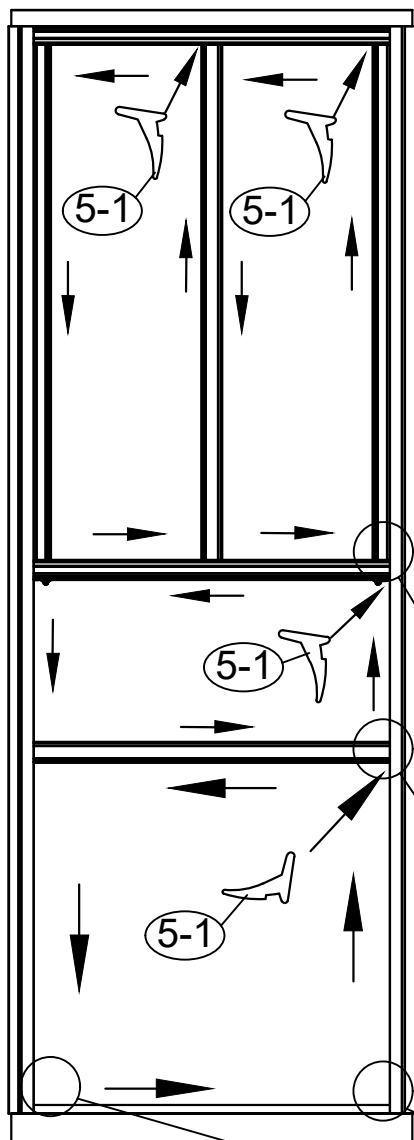
5-1 2x



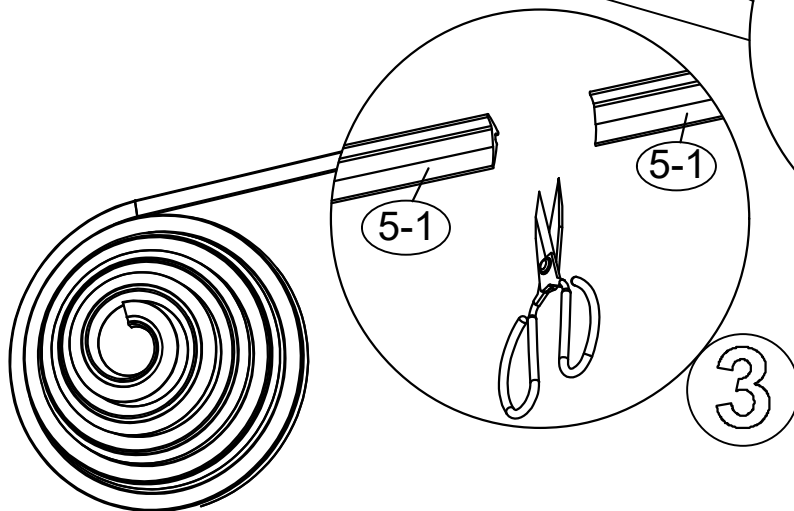
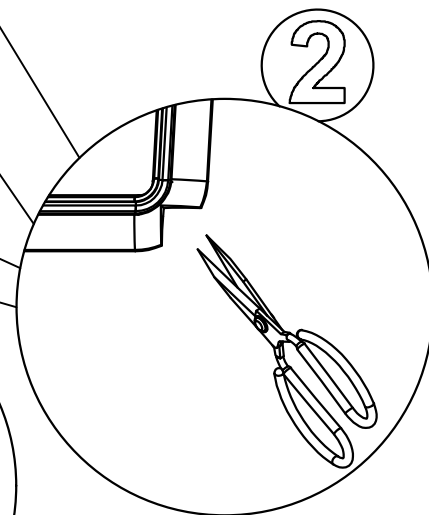
24 1x

<28>

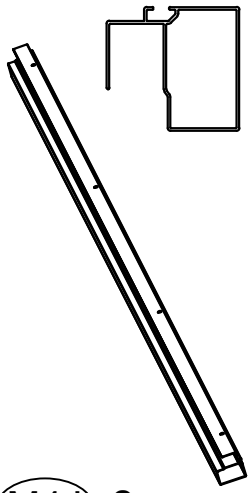
Before installation, wet the rubber strips "5-1" with water to make it easier to stick into the slot.



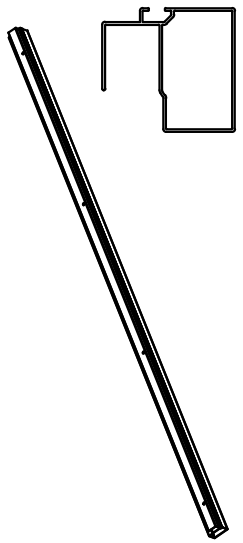
Use this tool to help press the rubber strips into the gaps.



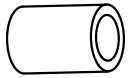
<29>



M4J 2x

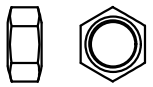


M8J 4x



6.2\*11\*15

3-1 24x



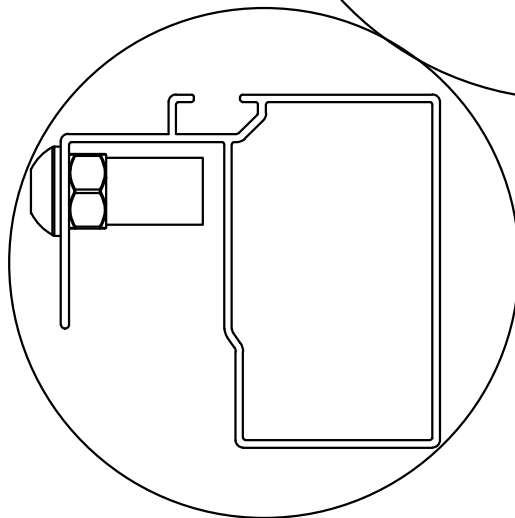
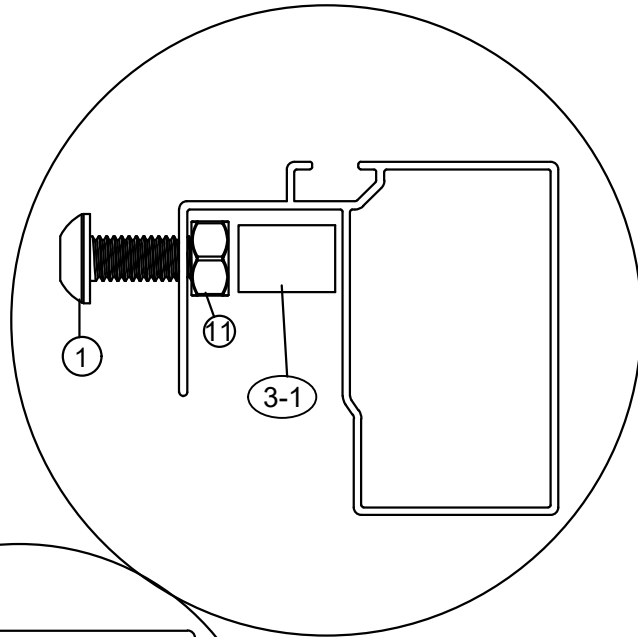
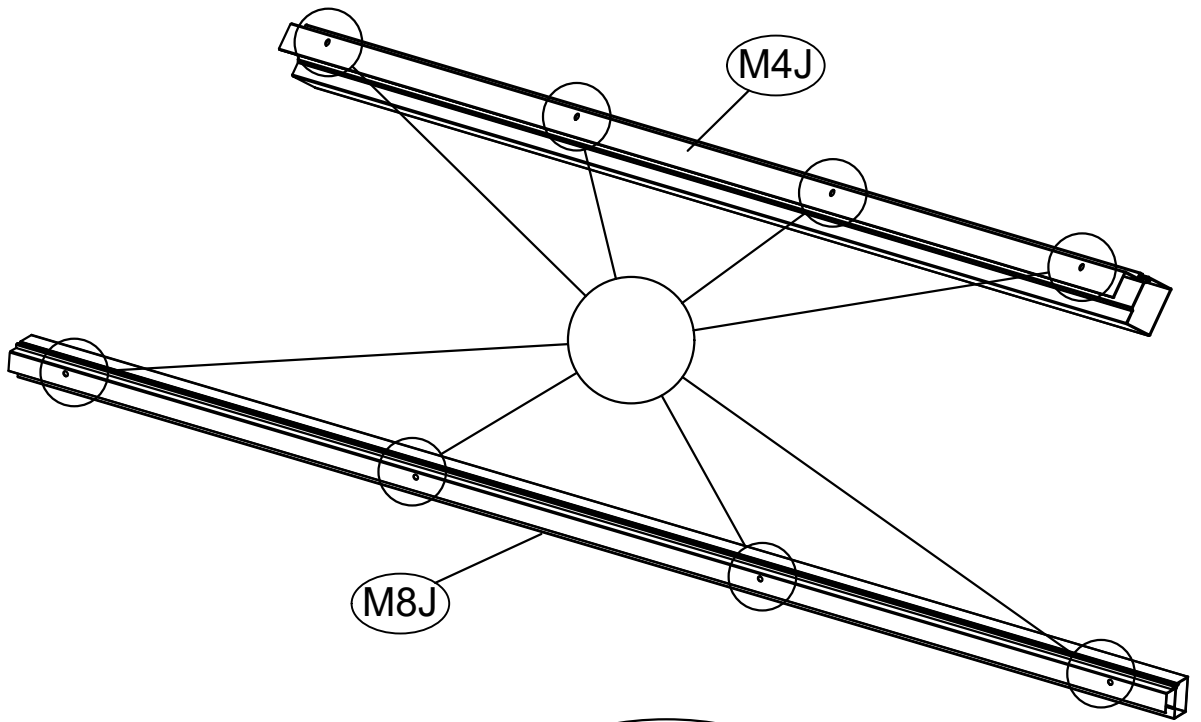
M6

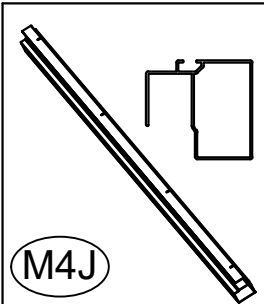
11 24x



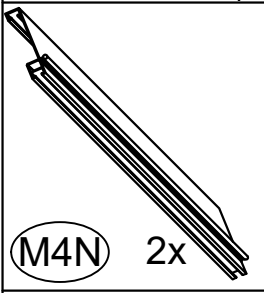
M6x15

1 24x

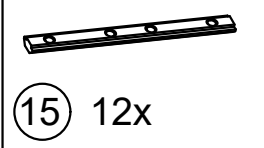




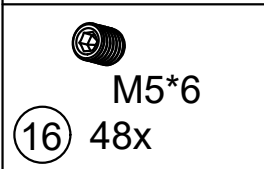
M4J



M4N 2x



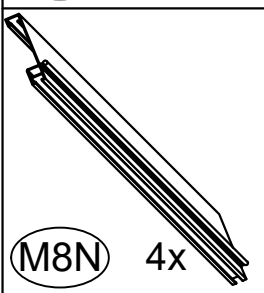
15 12x



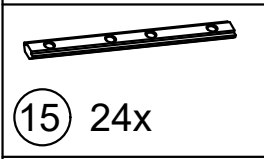
M5\*6  
16 48x



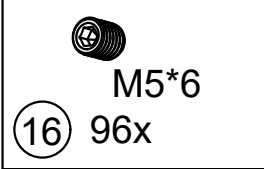
M8J



M8N 4x



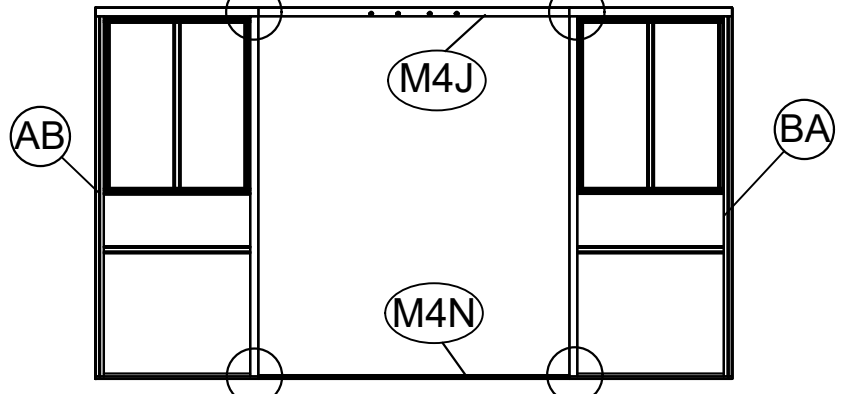
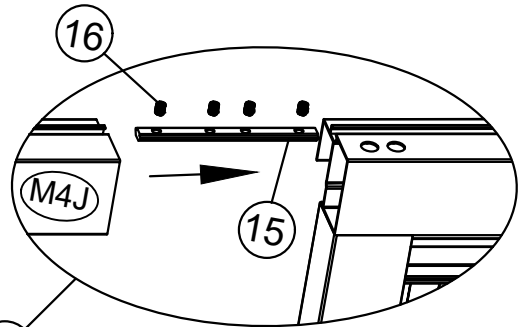
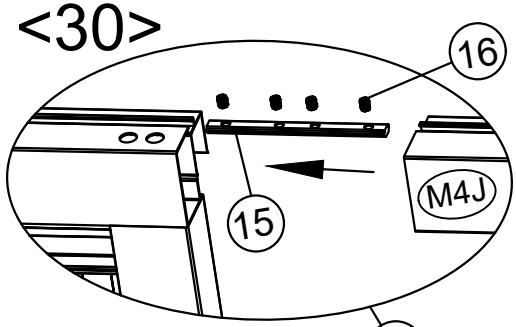
15 24x



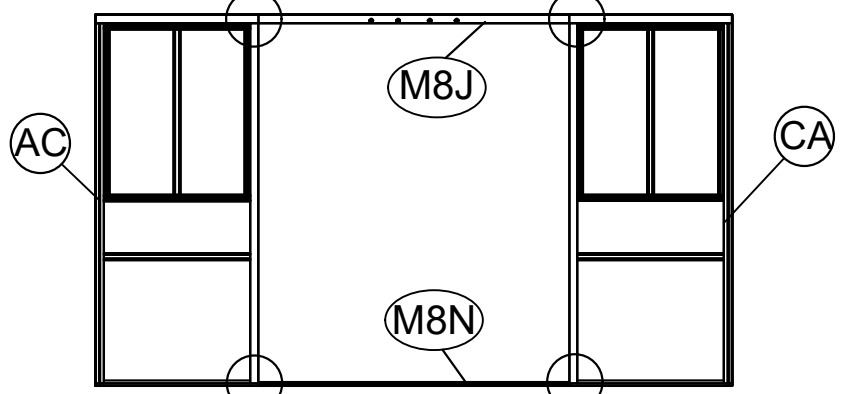
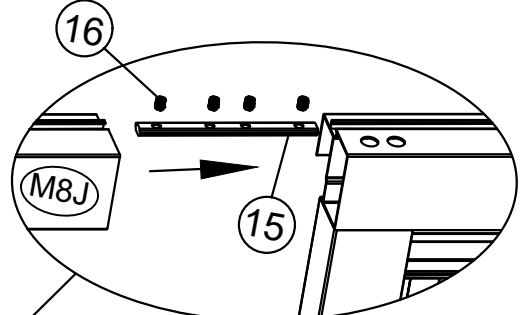
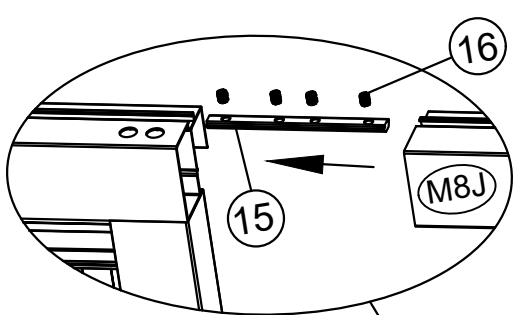
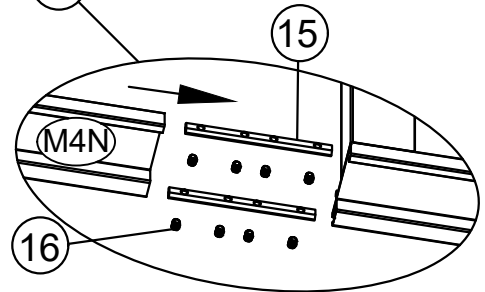
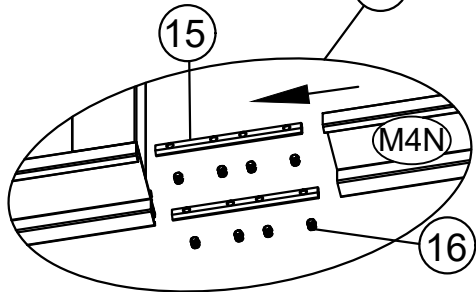
M5\*6  
16 96x

40

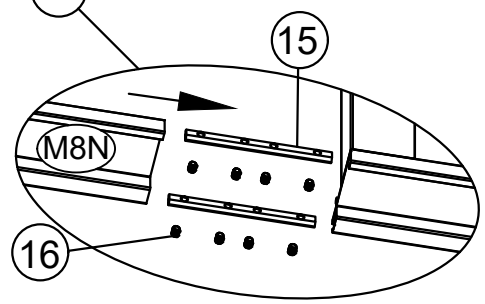
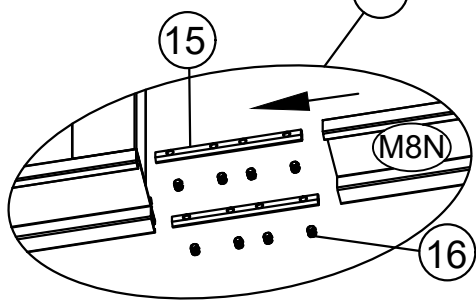
<30>



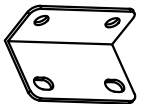
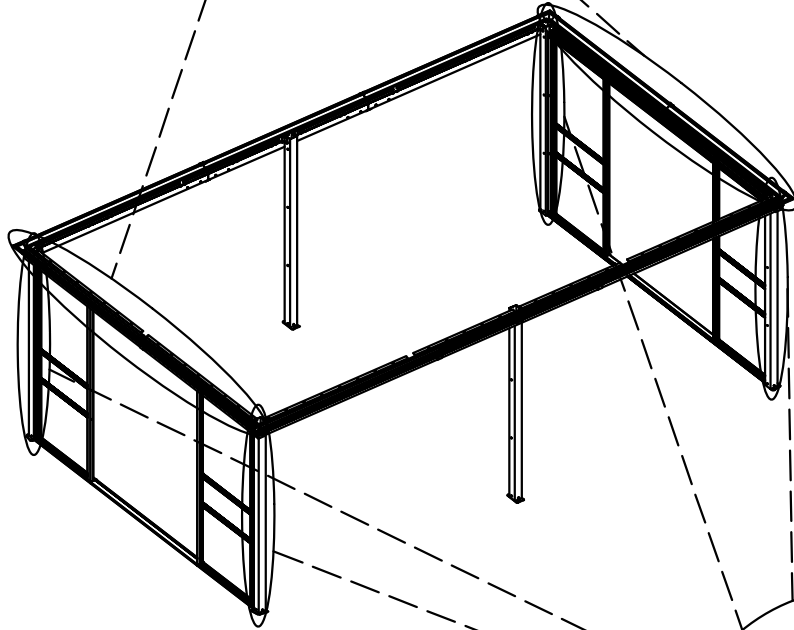
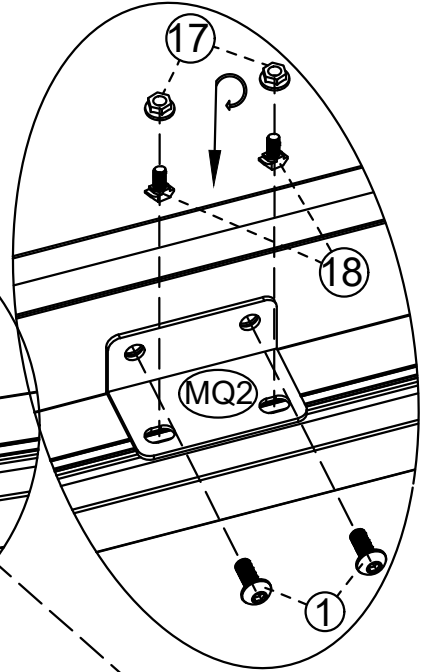
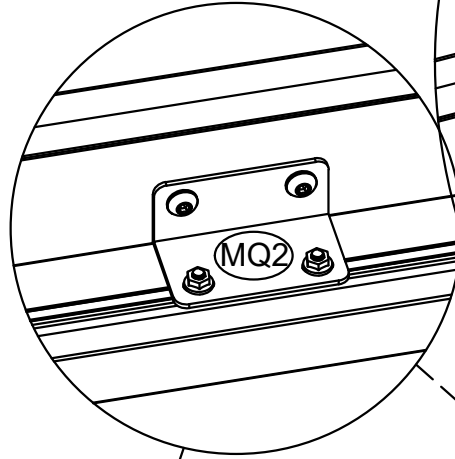
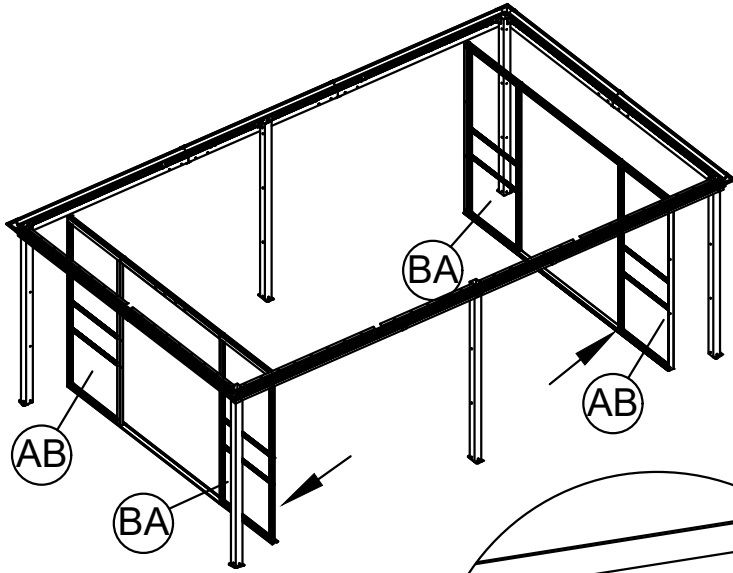
x2



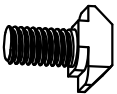
x4



<31>



MQ2 12x



M5x12

18 24x



M5

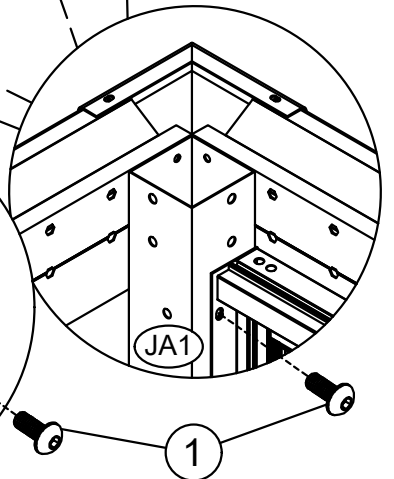
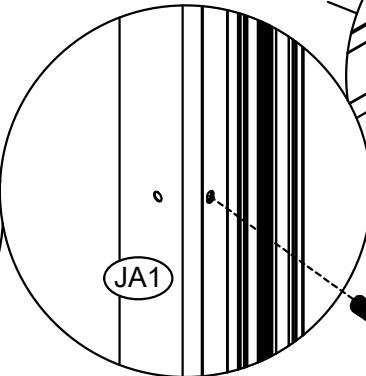
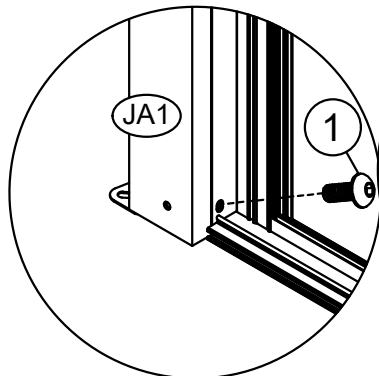
17 24x

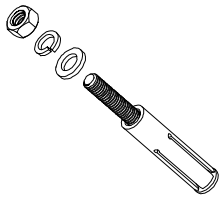
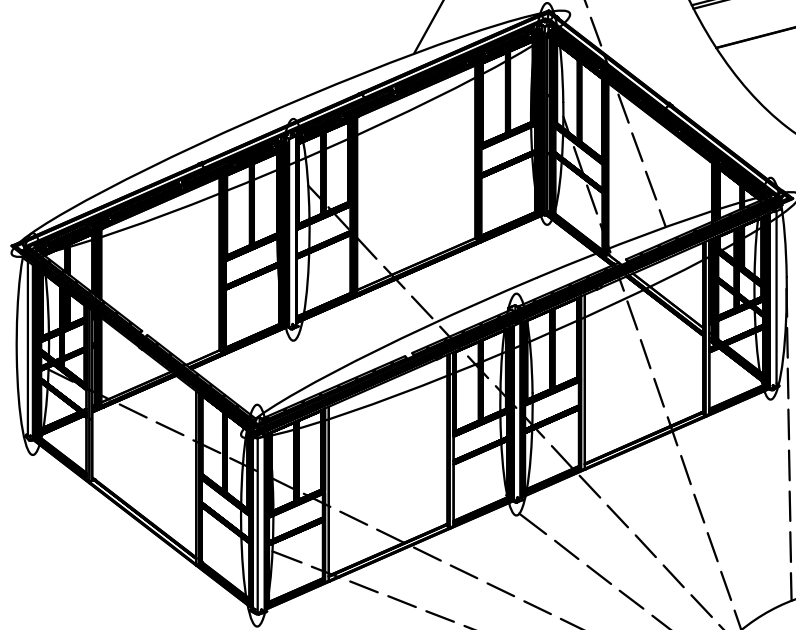
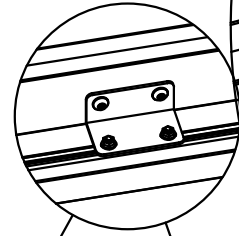
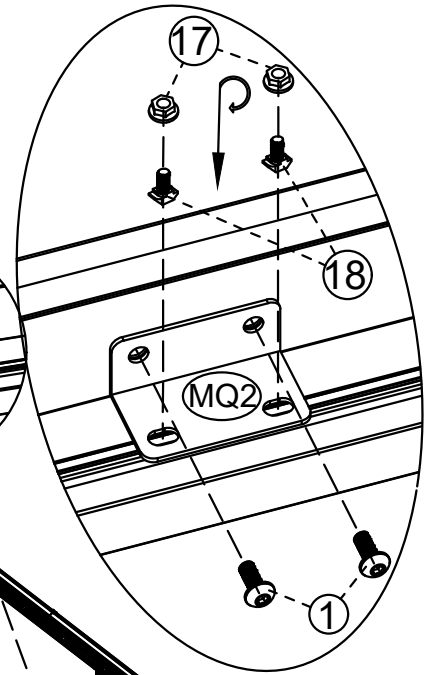
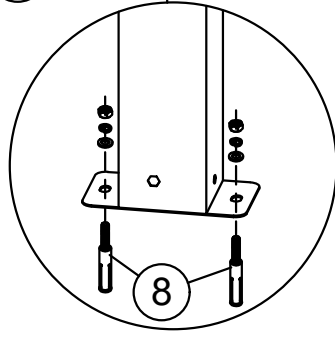
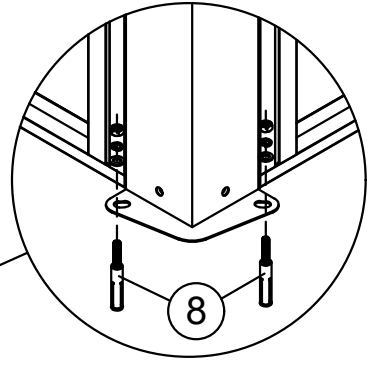
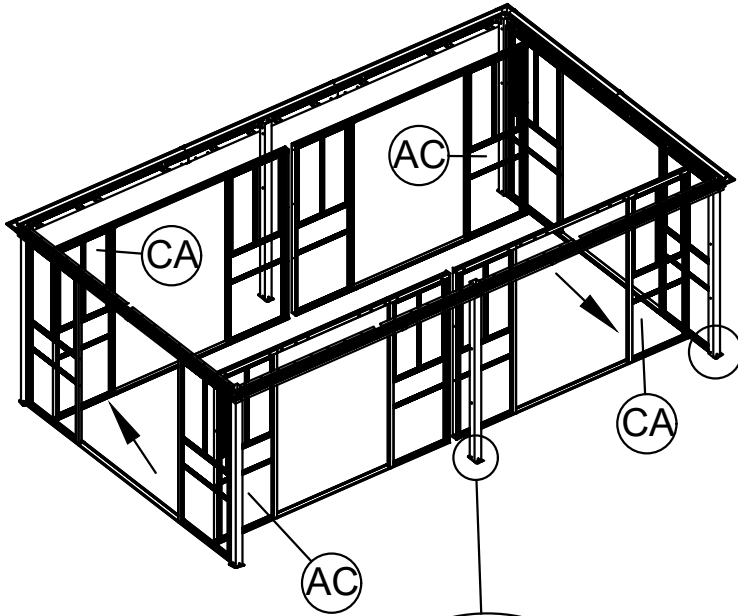


M6x15

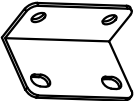
1 40x

41

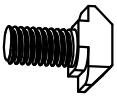




8 12x



MQ2 24x



M5x12

18 48x



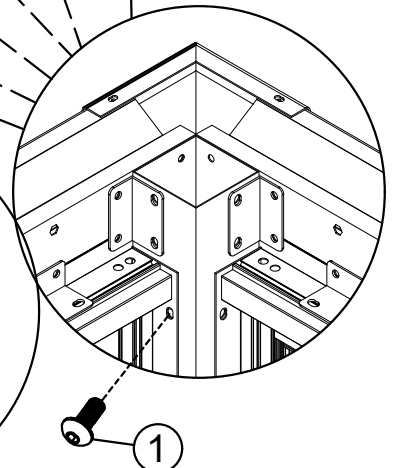
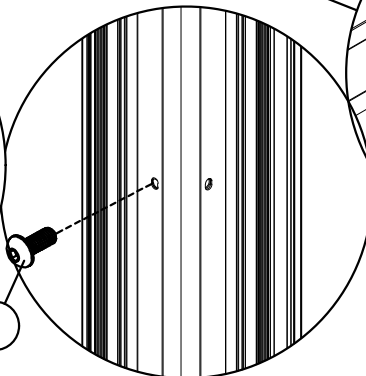
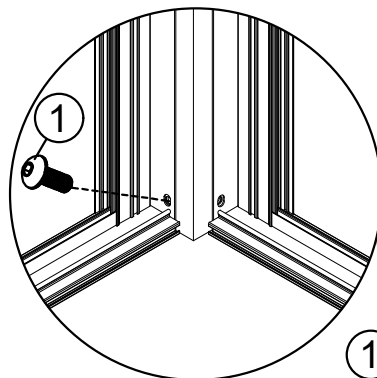
M5

17 48x

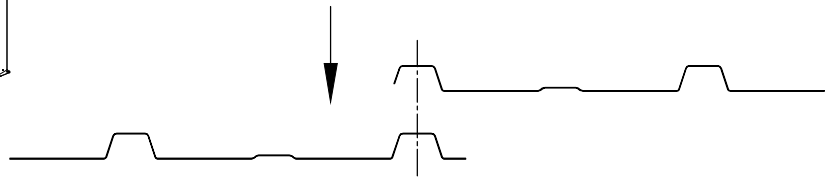
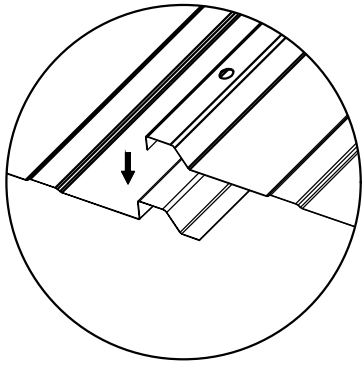
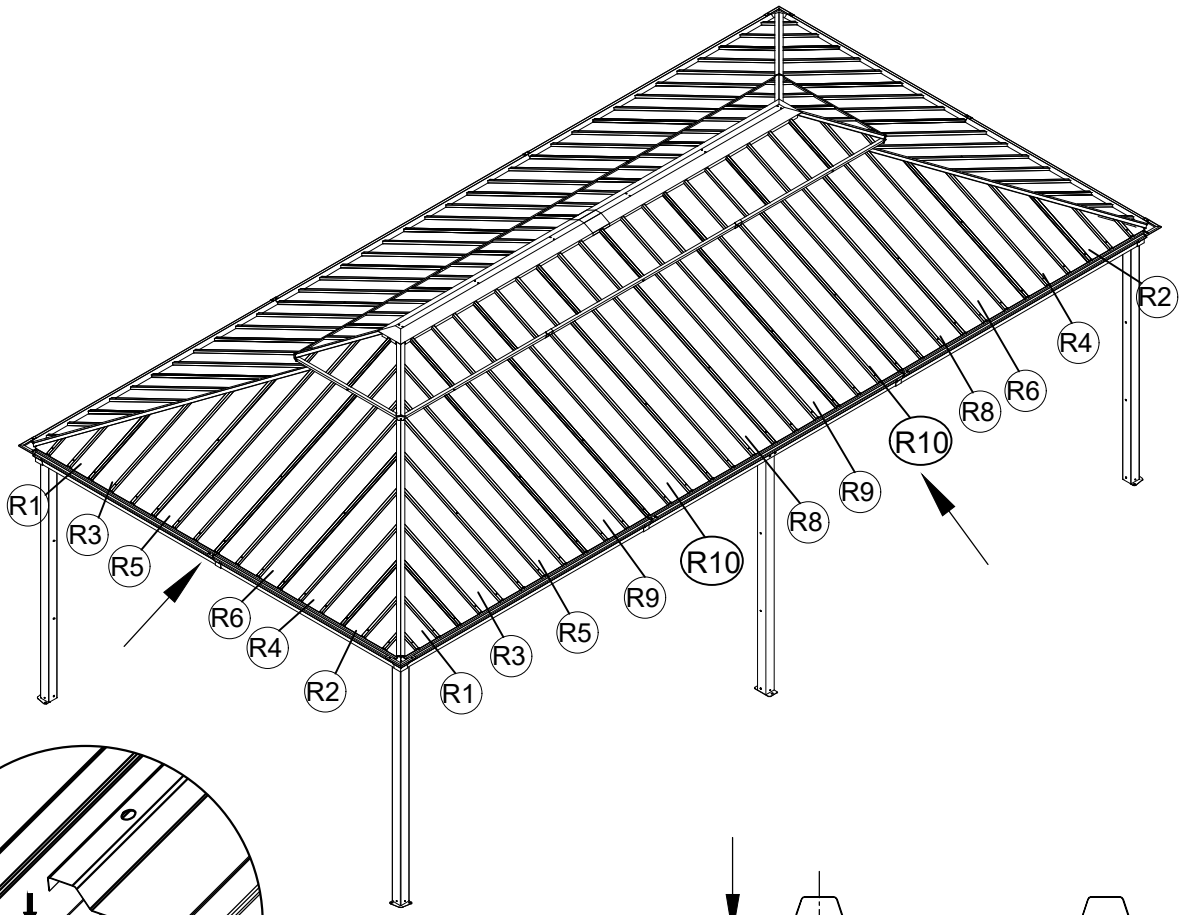


M6x15

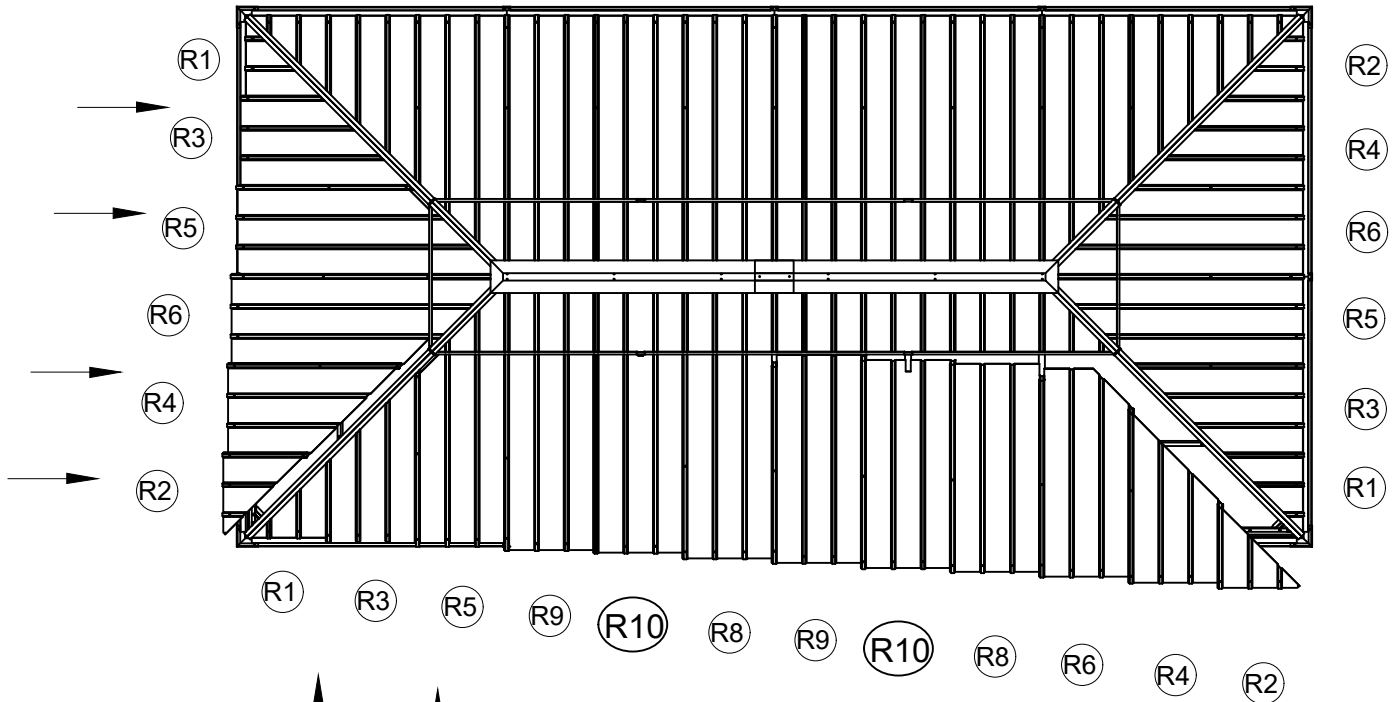
1 80x



<33>

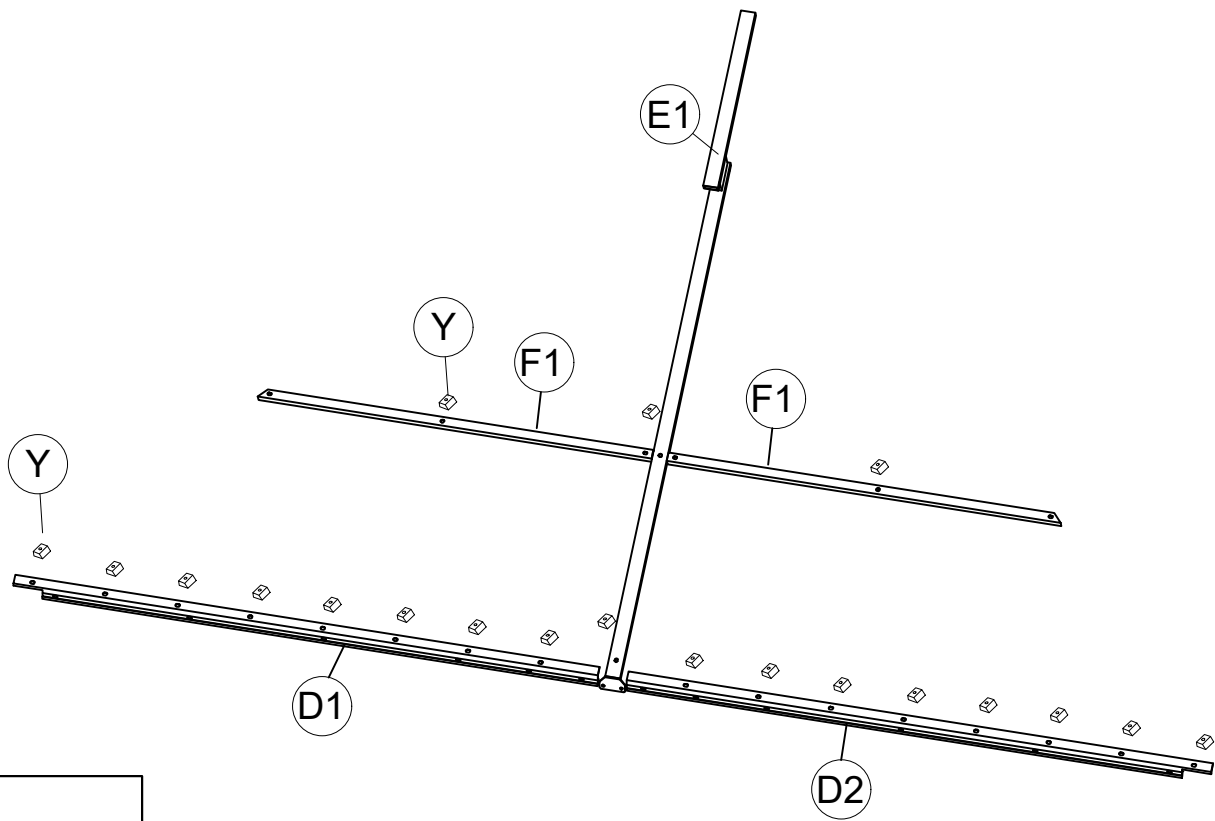
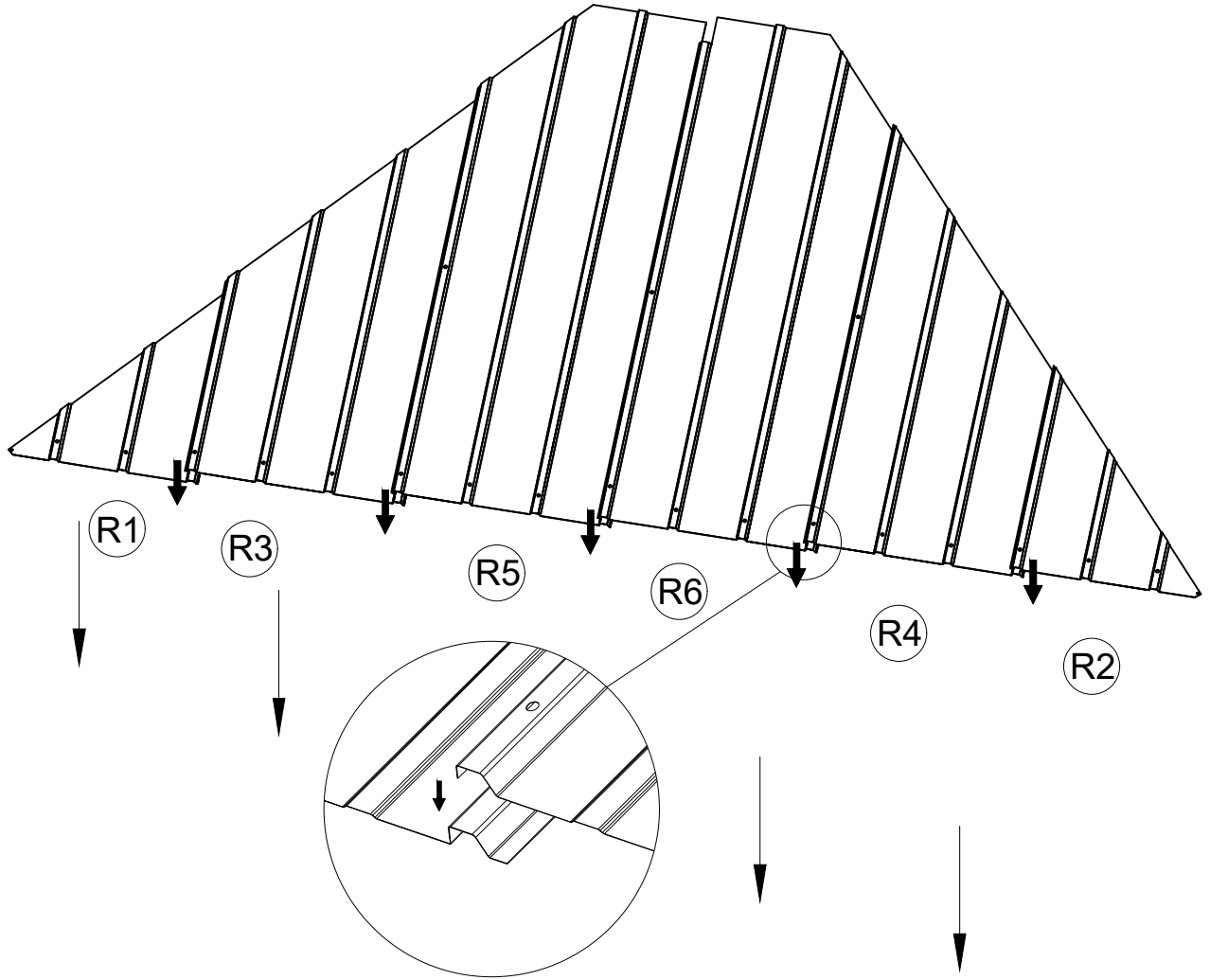


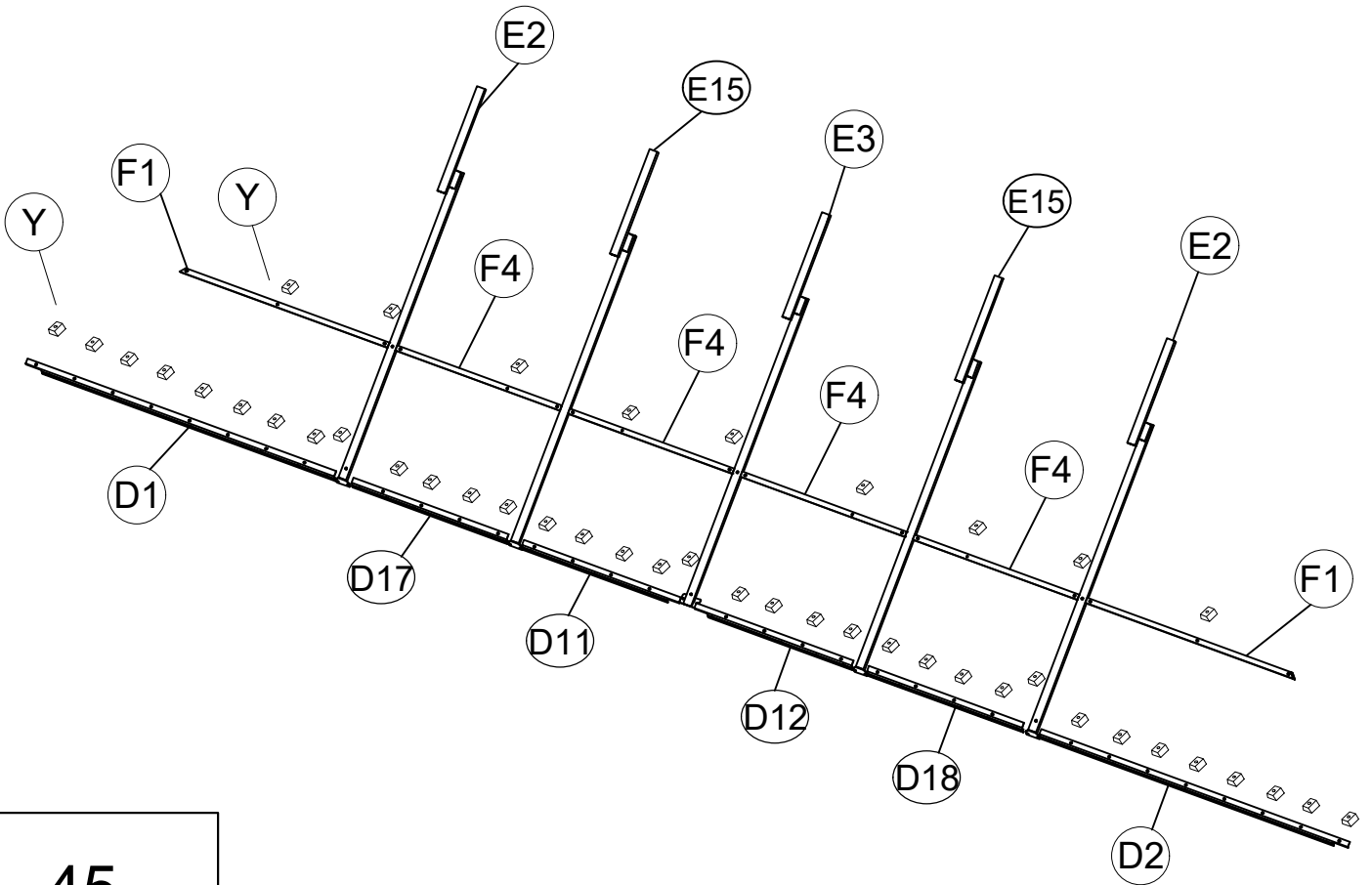
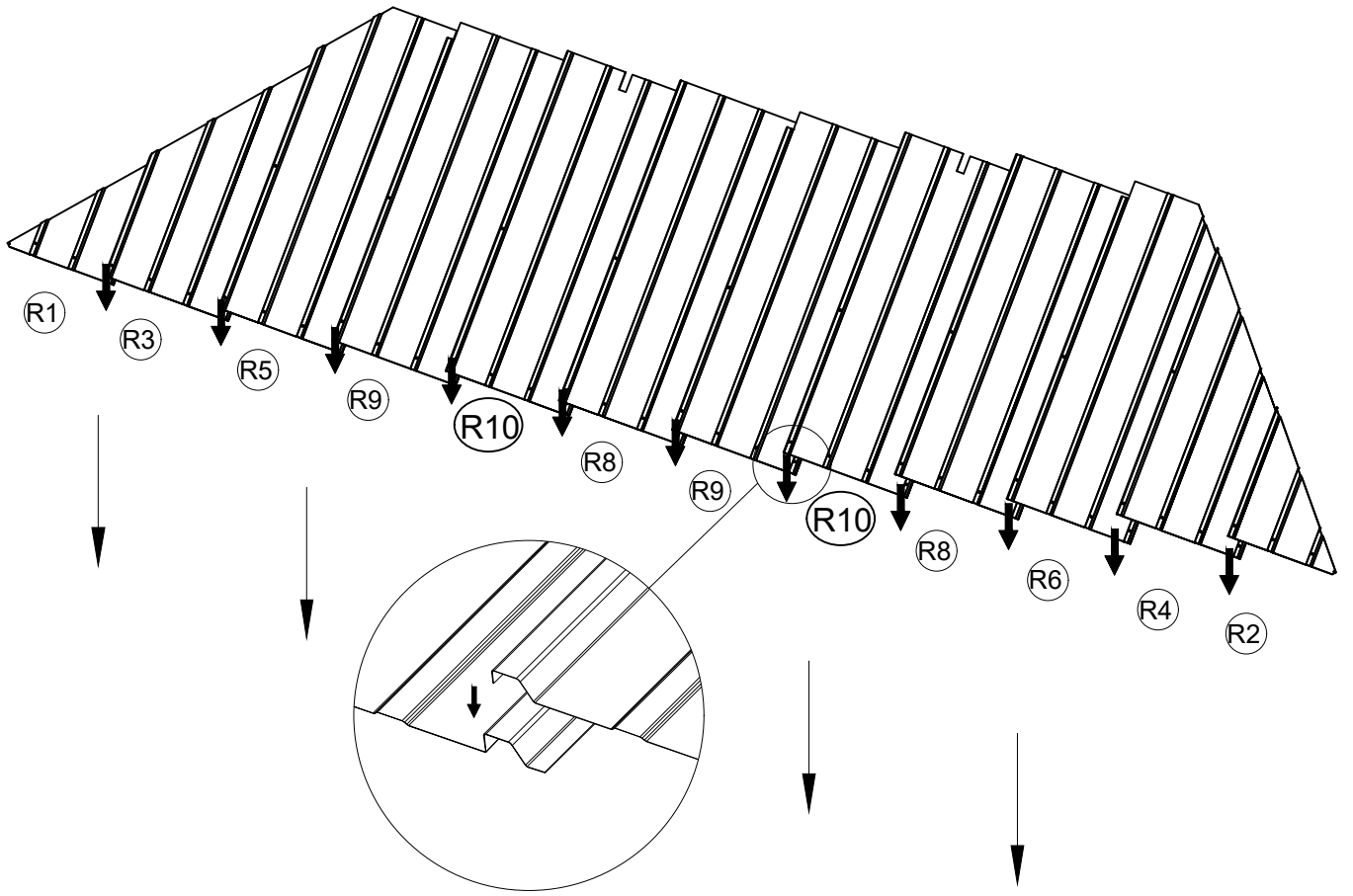
R2 R4 R6 R8 R10 R9 R8 R10 R9 R5 R3 R1



43

<34>





<36>



M6x25

2 112x



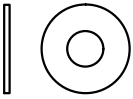
M6x50

5 12x



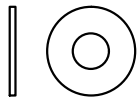
M6

10 112x



M6

19 128x

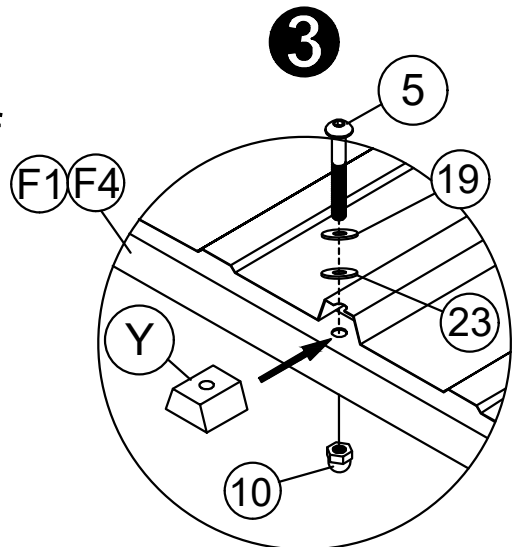
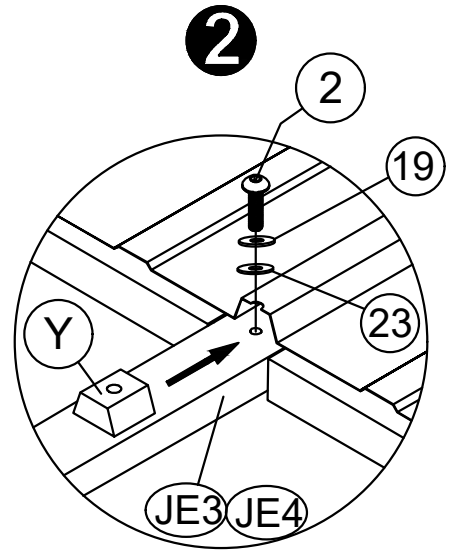
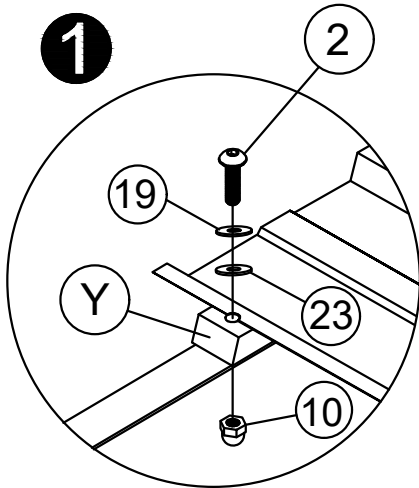
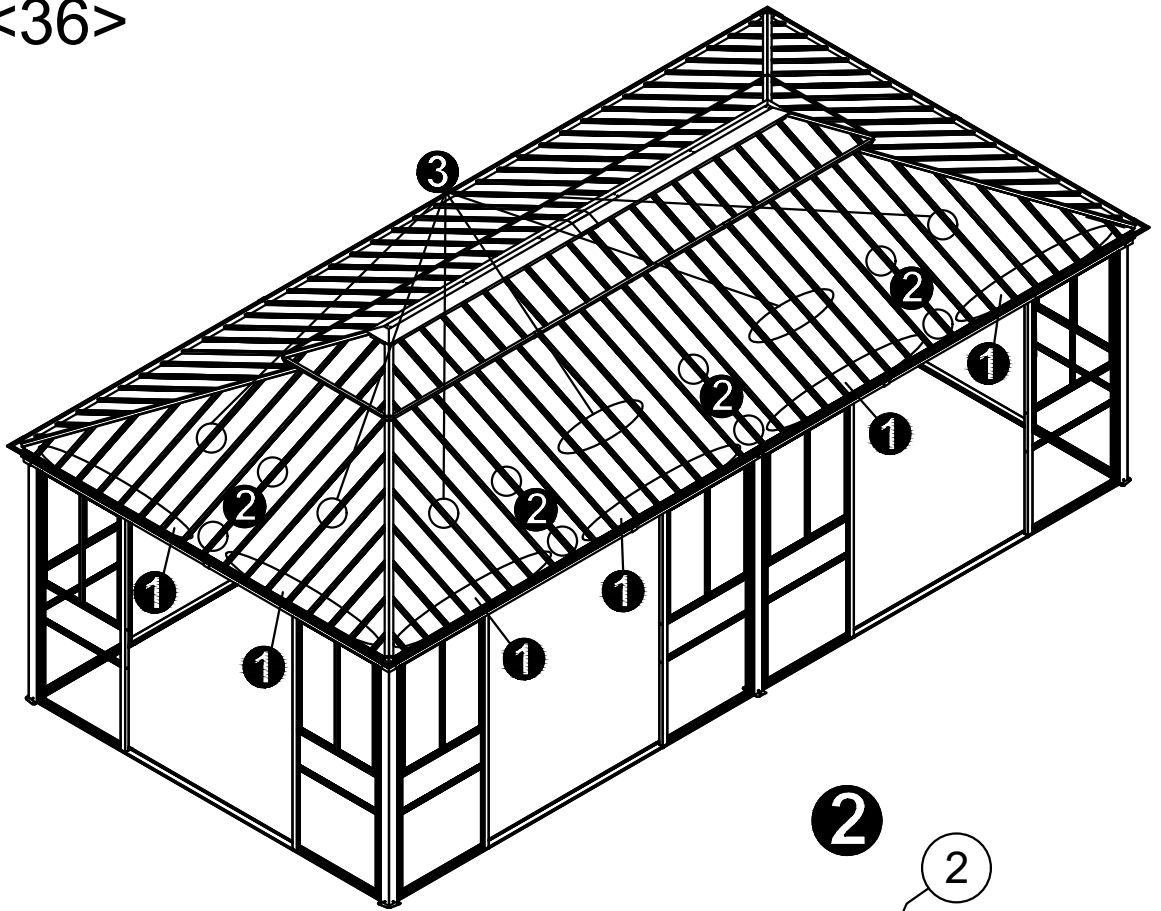


Rubber Gasket

23 128x



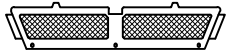
Y 128x



Note:

When installing the top roof plates, if they are slightly uneven, press the screws from the top of the plates until the bottom of the screw thread is exposed by 3-4mm, then secure with the nuts.

<37>



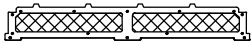
V1 2x



V5a 2x



V5b 2x



V9a 2x



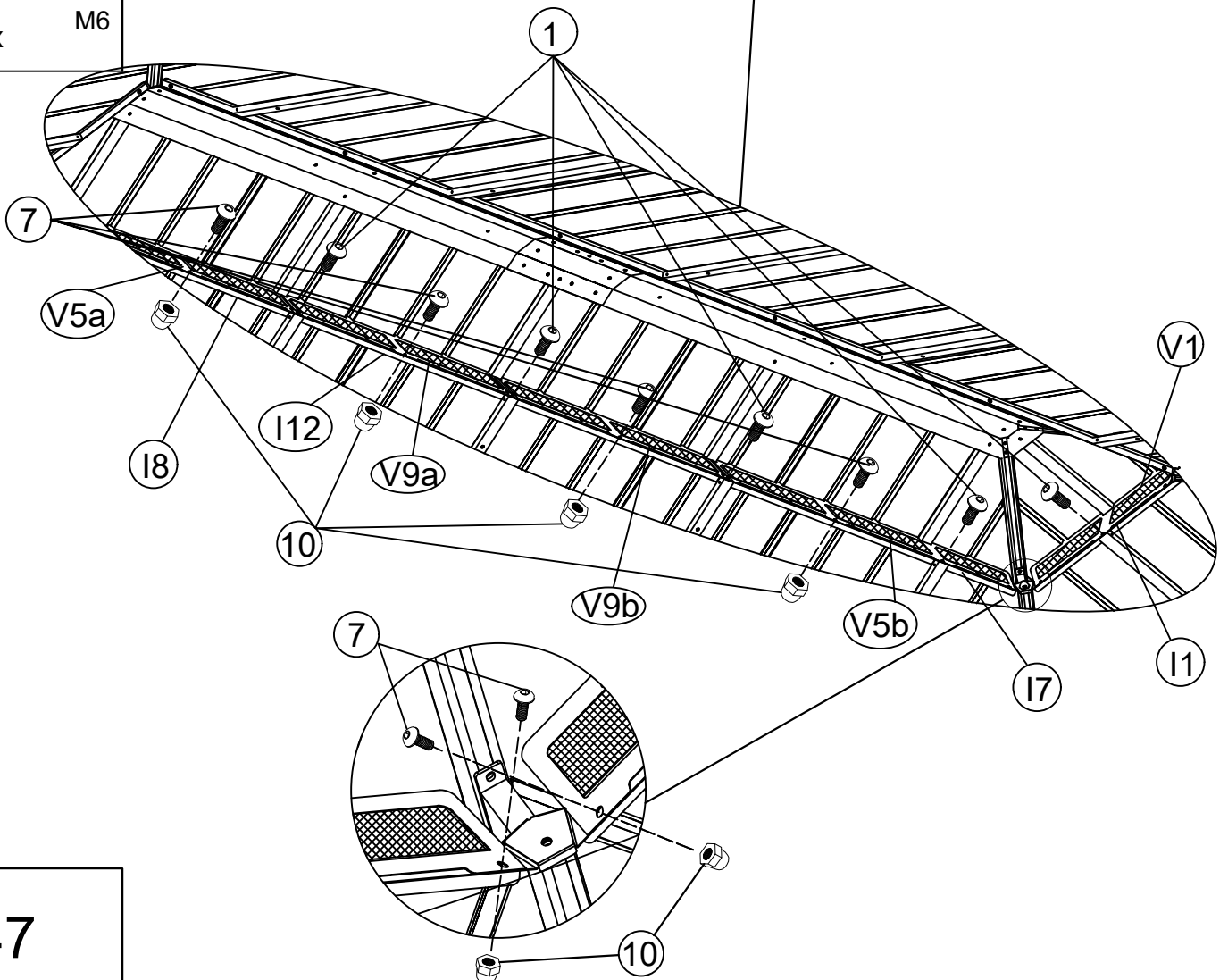
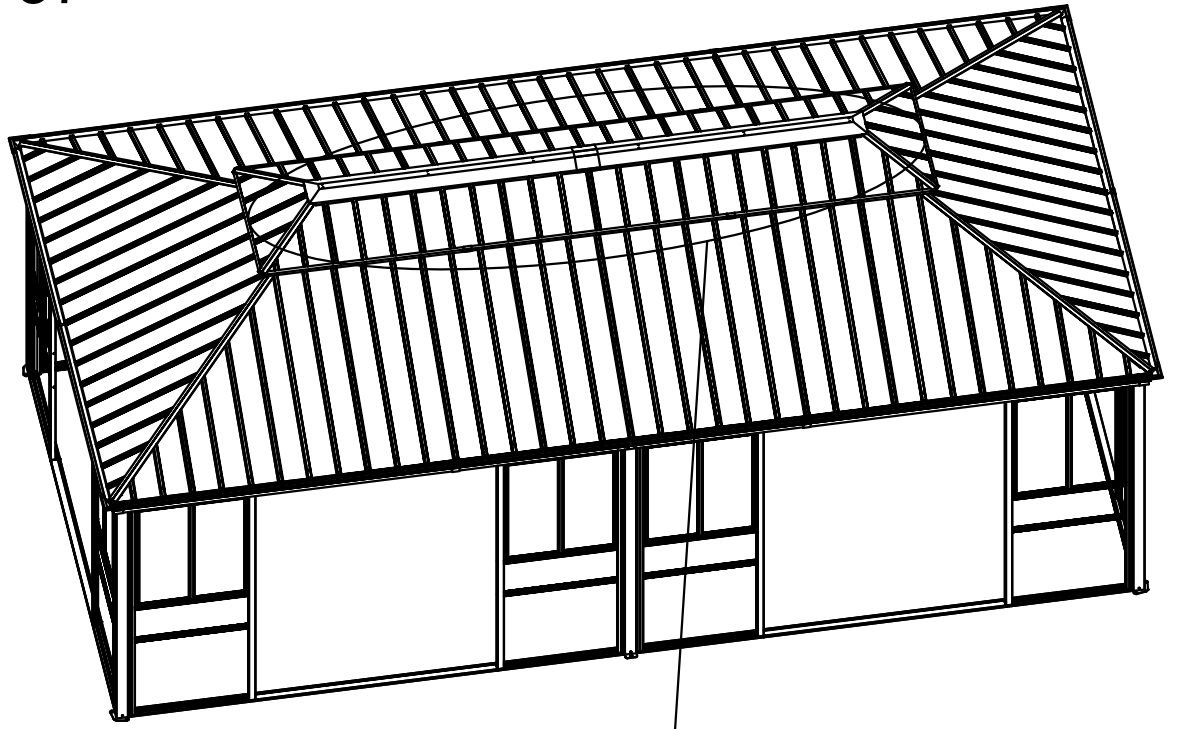
V9b 2x



7 16x M6x10



10 16x M6



<38>

DA 2x

EA 4x

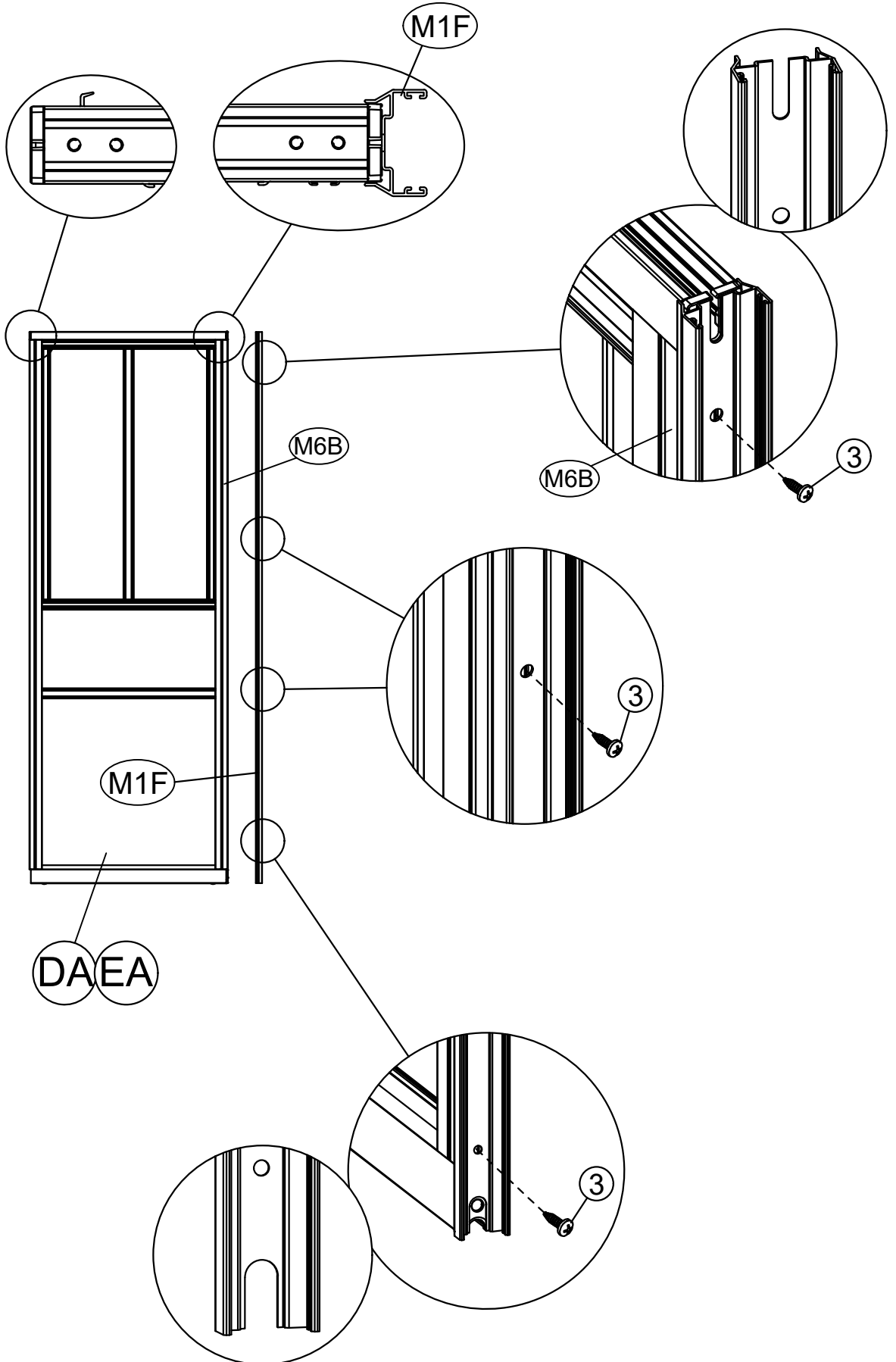
Pay attention to the left and right orientation when installing the door

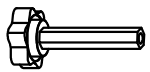
M1F 6x



ST 4.8x12

3 24x





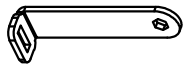
<39>

DA 2x EA 4x

U1 6x



U2 6x

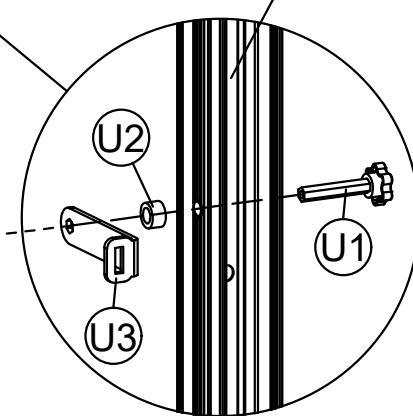
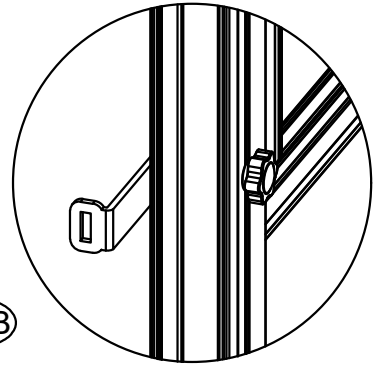
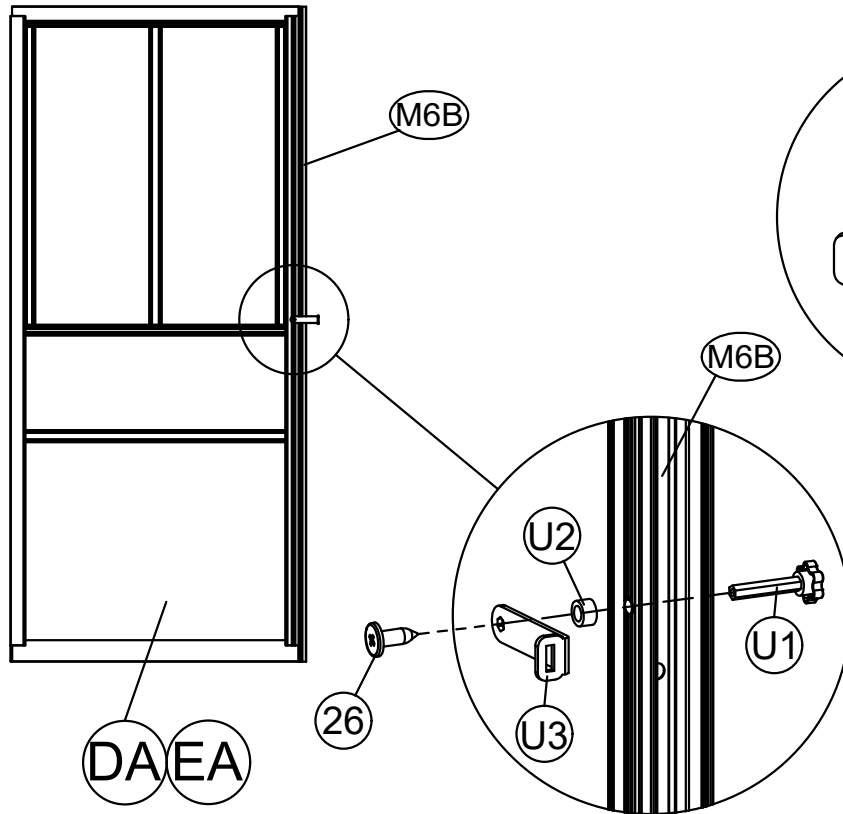


U3 6x

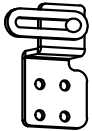


M4x12

26 6x



DA EA



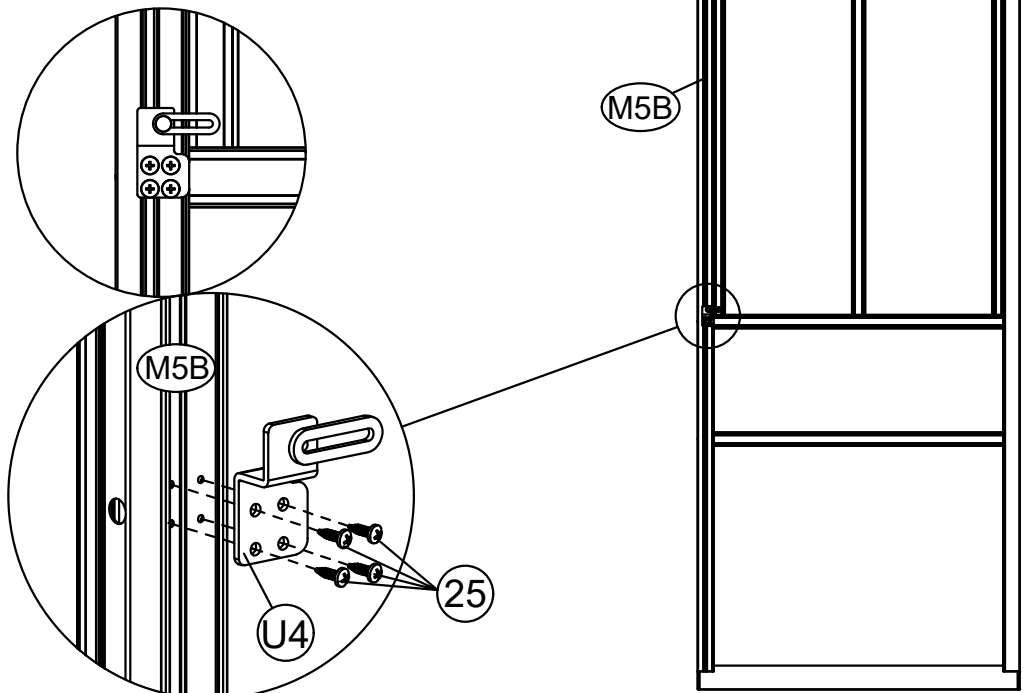
U4 6x

AD 2x AE 4x



M5x15

25 24x



M5B

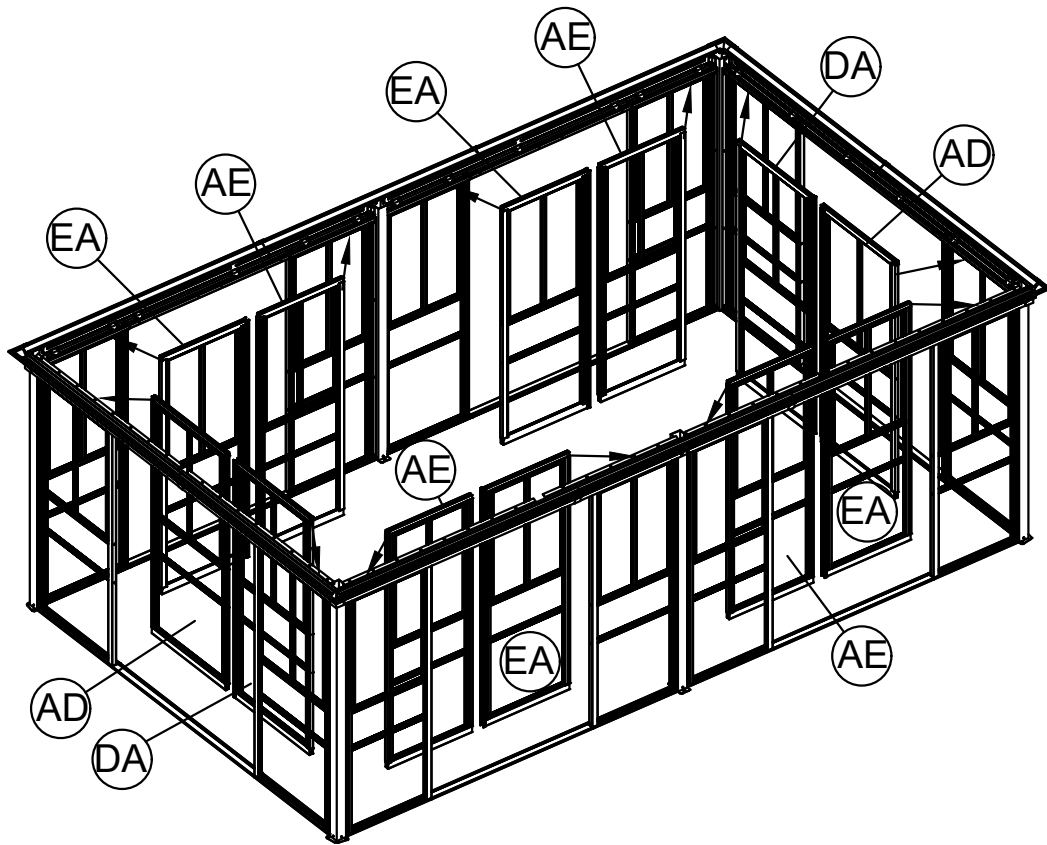
M5B

U4

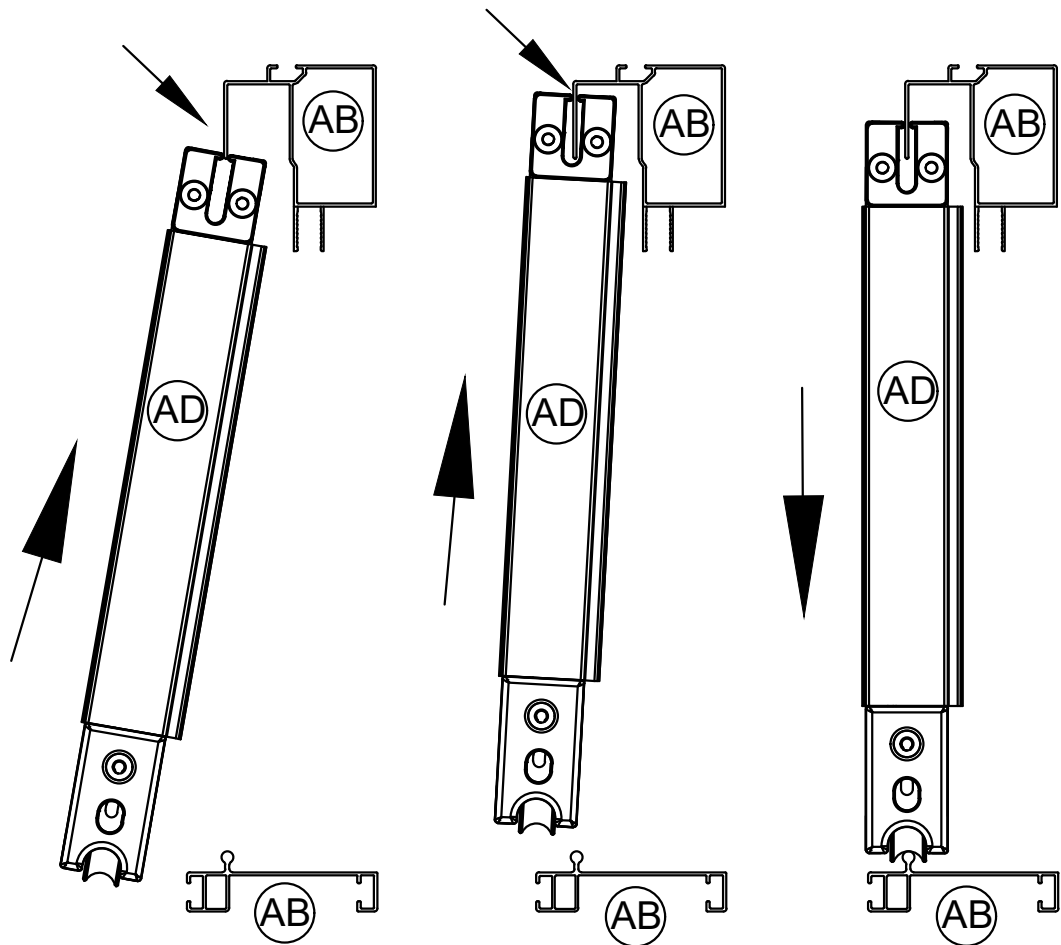
25

M5B

<40>

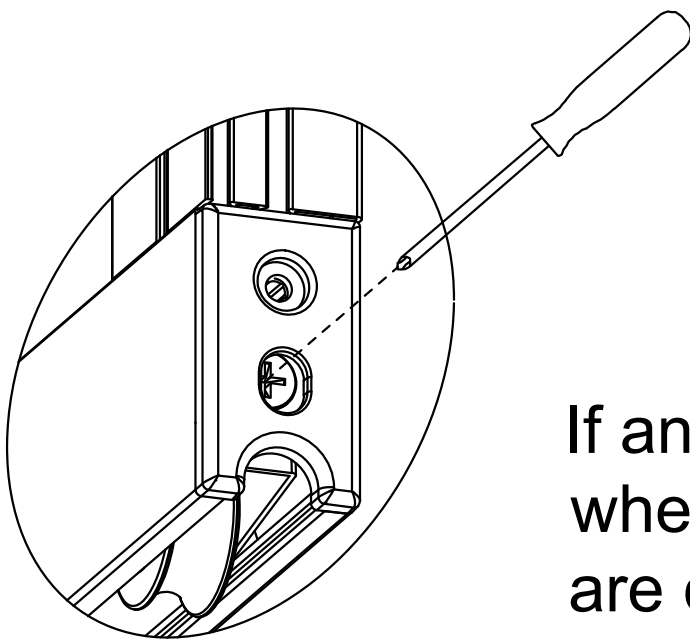
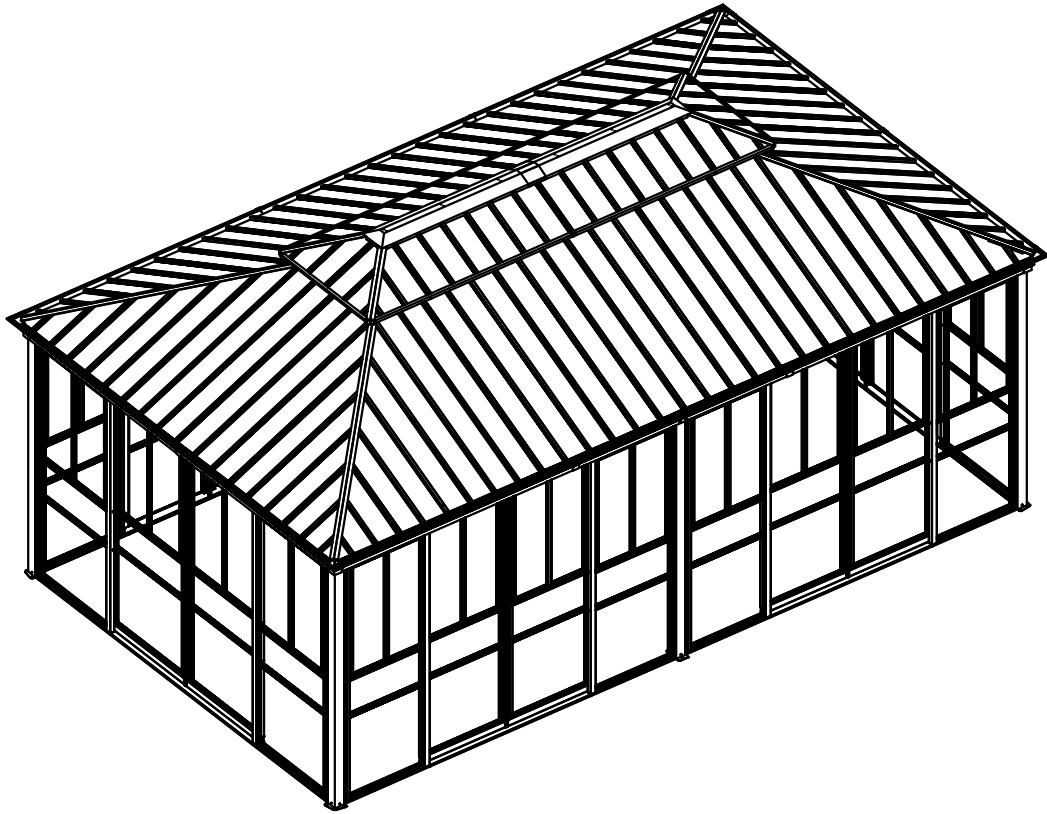


Carefully align the door and gently insert it from the inside into the upper slot.



Repeat the previous steps for other components.

<41>



If an obvious gap appears when the two sliding doors are closed, adjust the pulley height using the screw on the pulley.

<42>

