

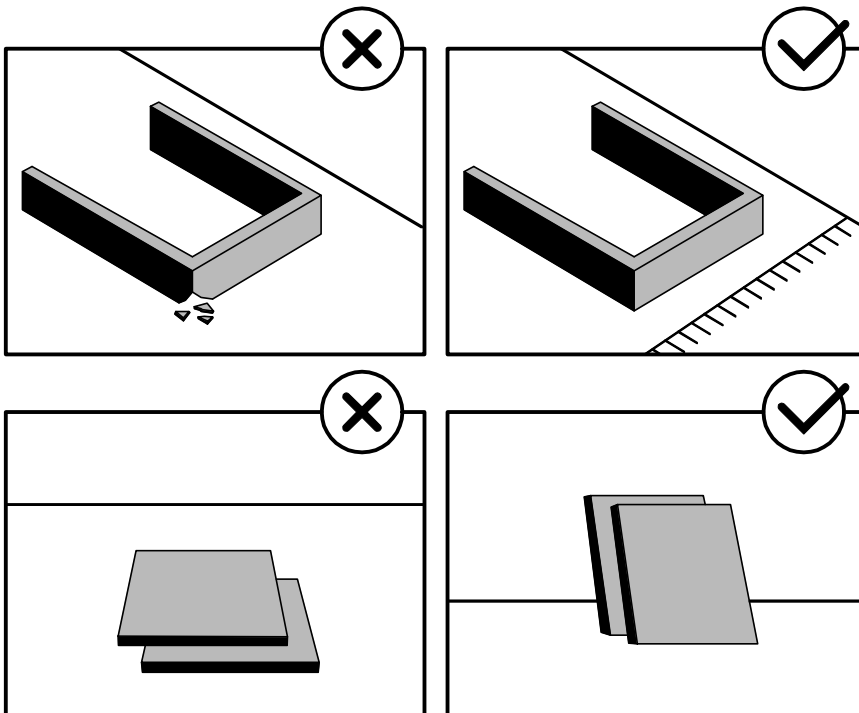
STOP!

Before beginning the assembly process, ensure all boxes and parts have been delivered.

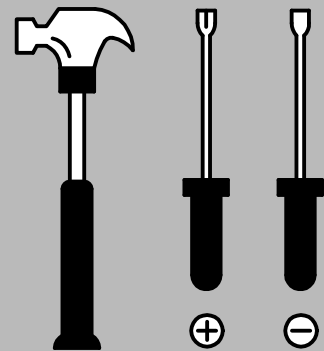
ATTENTION: BEFORE START ASSEMBLING TAKE A PICTURE OF THE LABELS ON THE PACKAGES, THIS WILL BE REQUIRED IN CASE THE PRODUCT HAS ANY ASSISTANCE DEMAND.

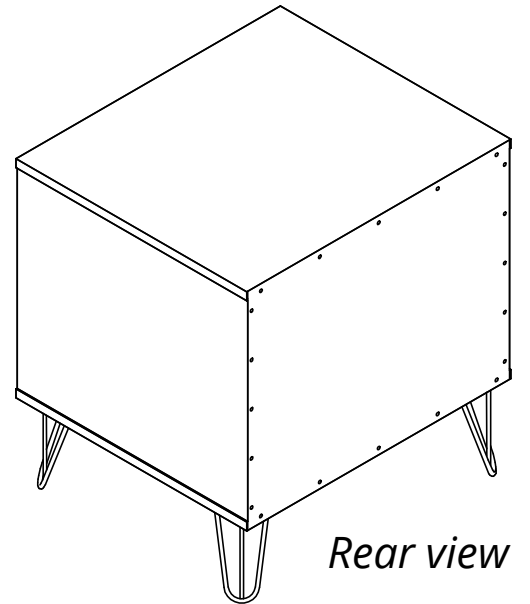
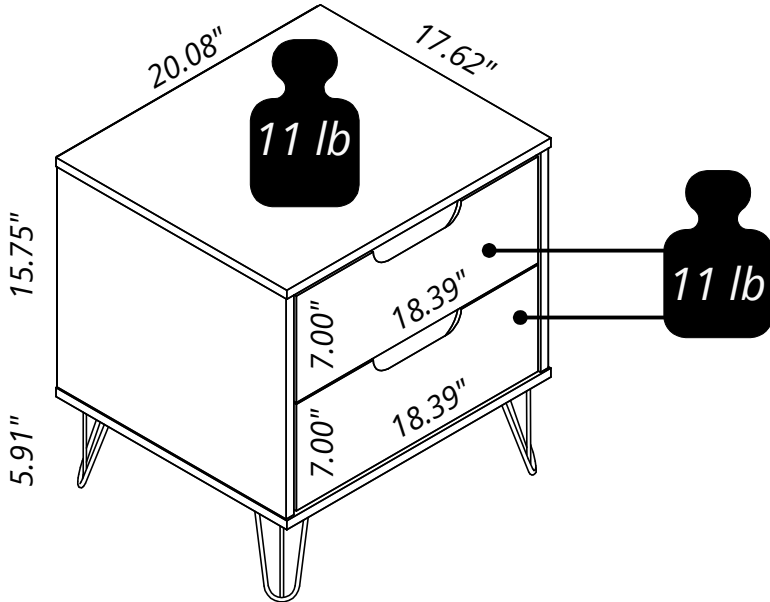
FOR BEST RESULTS:

- Do not throw away packaging materials until assembly is complete.
- Assemble item on a soft surface, such as cardboard or carpet, to protect finish.
- Proper assembly requires two people.

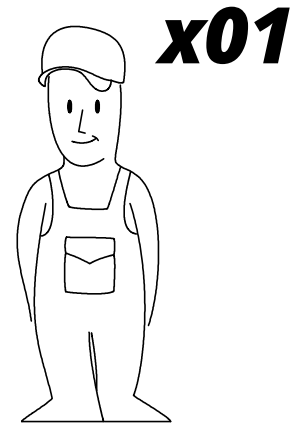
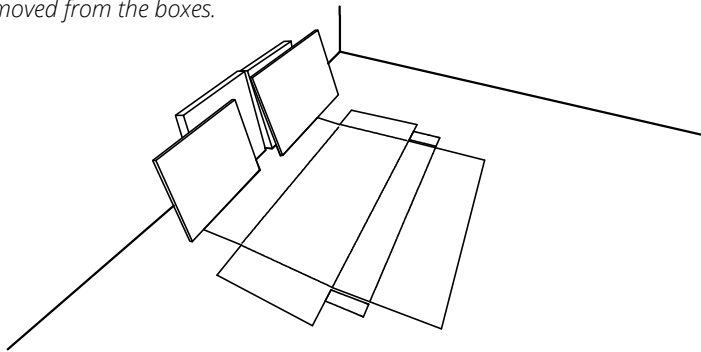


TOOLS REQUIRED

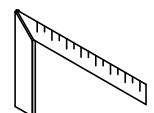
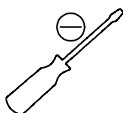




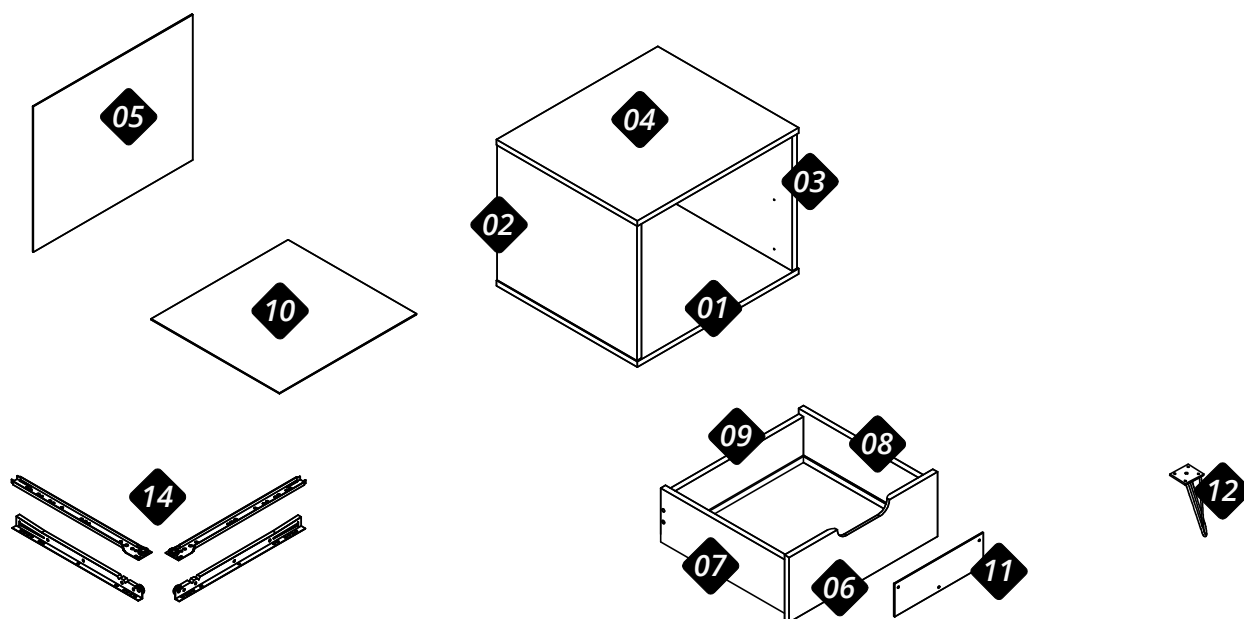
Prepare the room before starting the assembly, leaving it completely clean and the area in good condition to start the work.
Use the cardboard of the packaging to separate and support the parts removed from the boxes.



Recommended tools (not included)



Parts



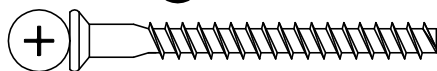
N°	Description	Qty.
01	Base	01
02	Left side panel	01
03	Right side panel	01
04	Top panel	01
05	Back panel	01
06	Front of the drawer	02
07	Left side panel of the drawer	02
08	Right side panel of the drawer	02
09	Rear panel of the drawer	02
10	Base of the drawer	02
11	Decorative apply	02
12	Feet	04
14	Slides	02

Hardware

A 16x



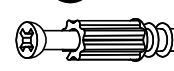
B 12x



C 08x



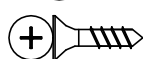
D 12x



E 12x



F 26x



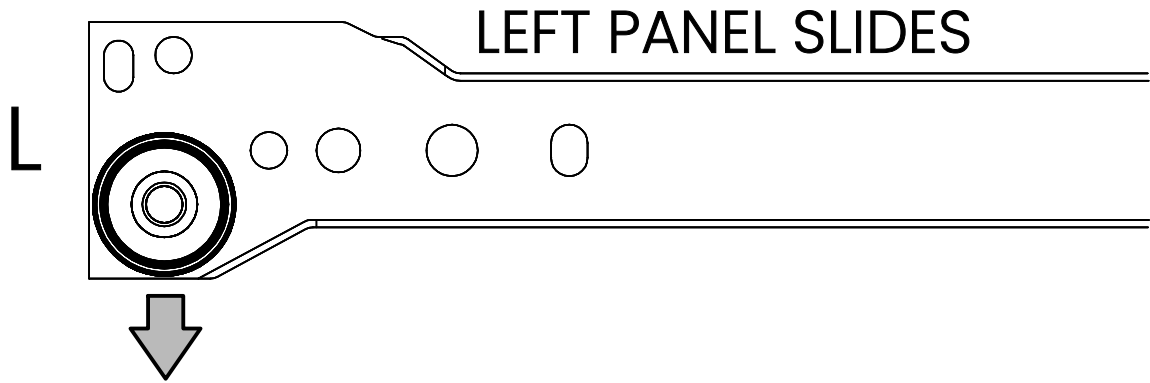
G 20x



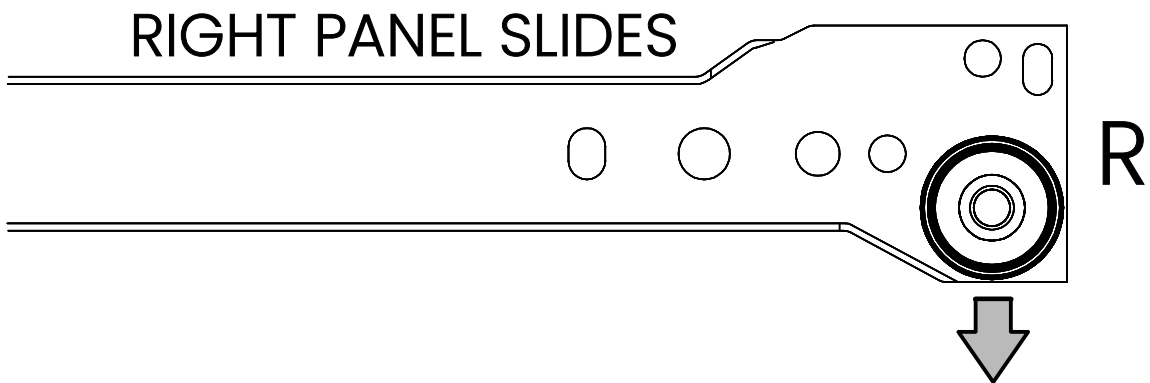
H 12x



HOW TO IDENTIFY THE SLIDES?

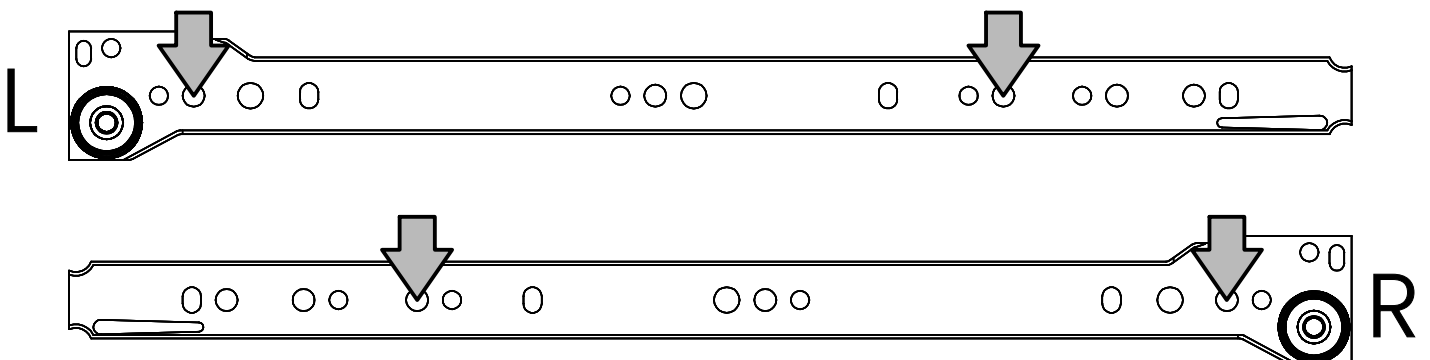


*plastic wheel always pointed to the ground.



*plastic wheel always pointed to the ground.

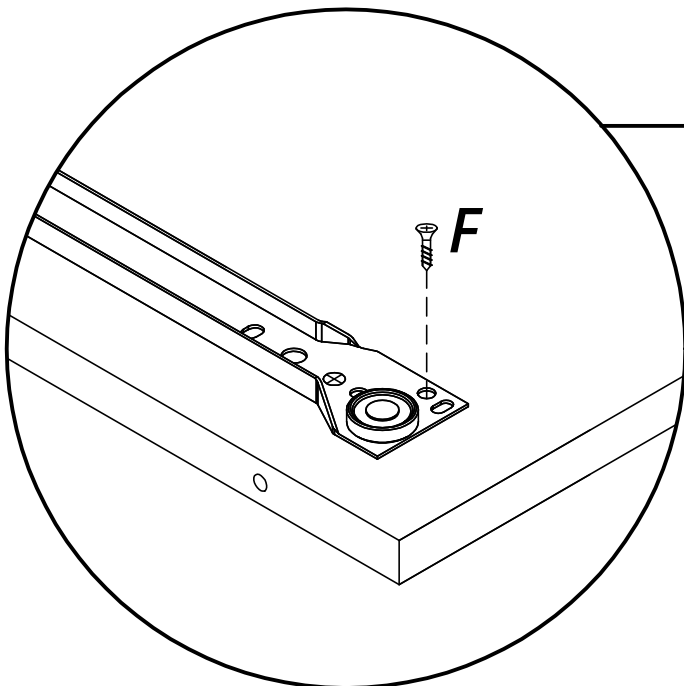
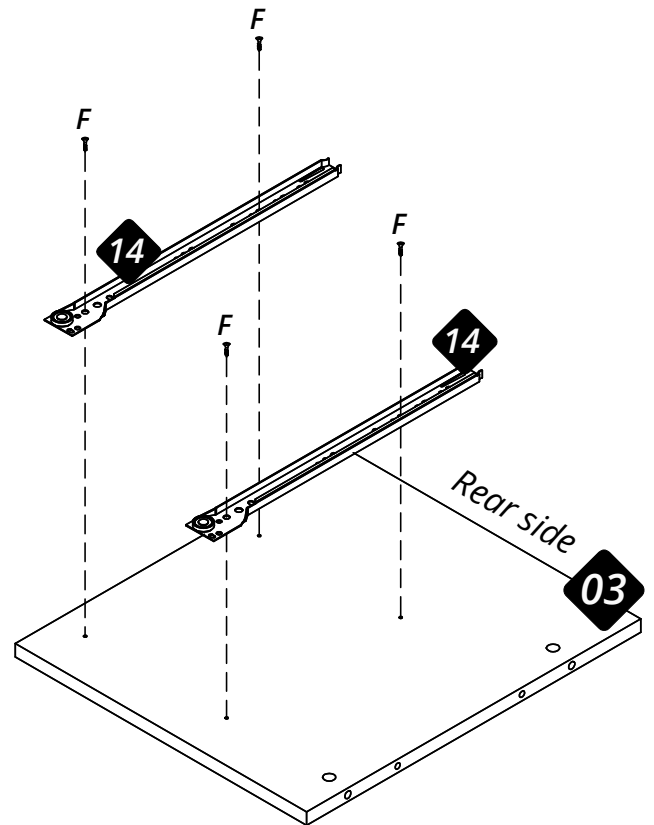
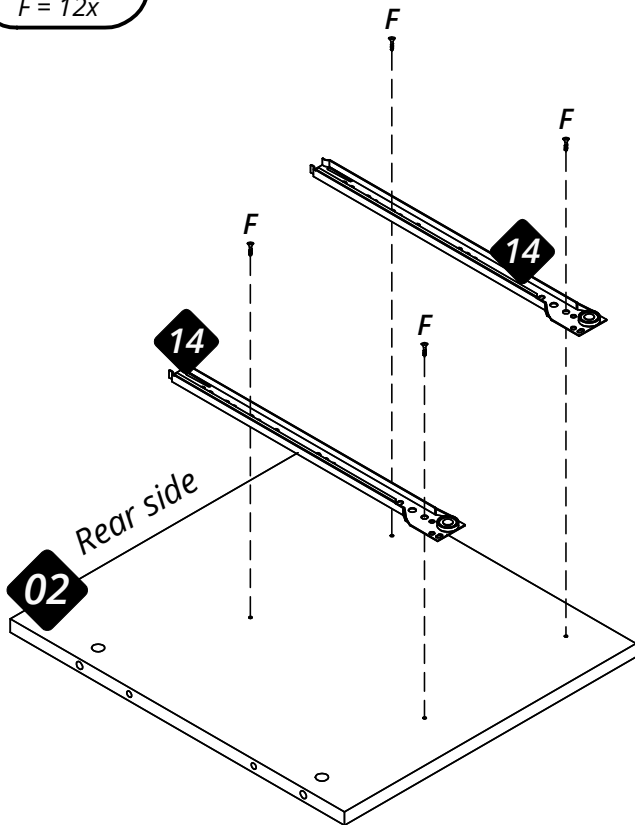
WICH HOLES TO ATTACH THE SCREWS?



Step 01



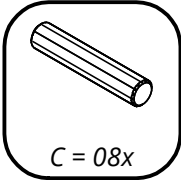
F = 12x

**ATTENTION!**

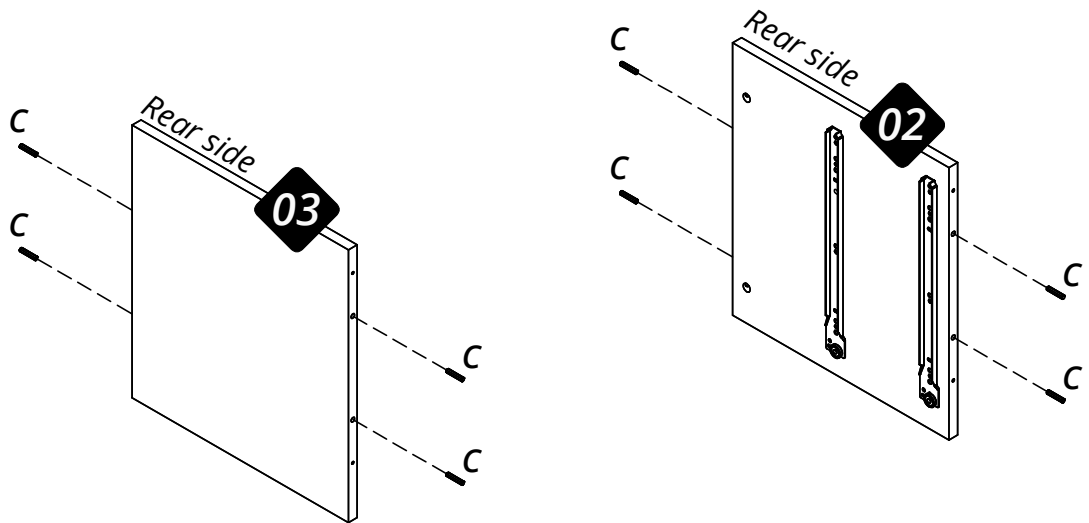
It is mandatory to apply the screw (F), observe there is no hole at this position.

Attention, all the assemblage must be done on the cardboard box or the Styrofoam boards to avoid damage to the parts.

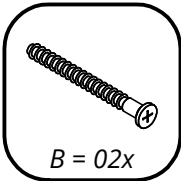
Step 02



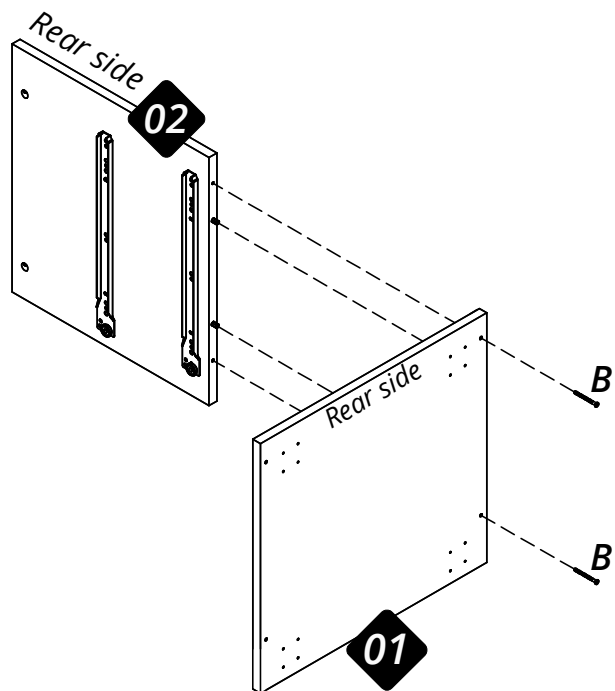
Insert the hardware (C) into the parts 02 and 03.



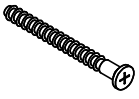
Step 03



Connect the part 02 onto the part 01 with the hardware (B).

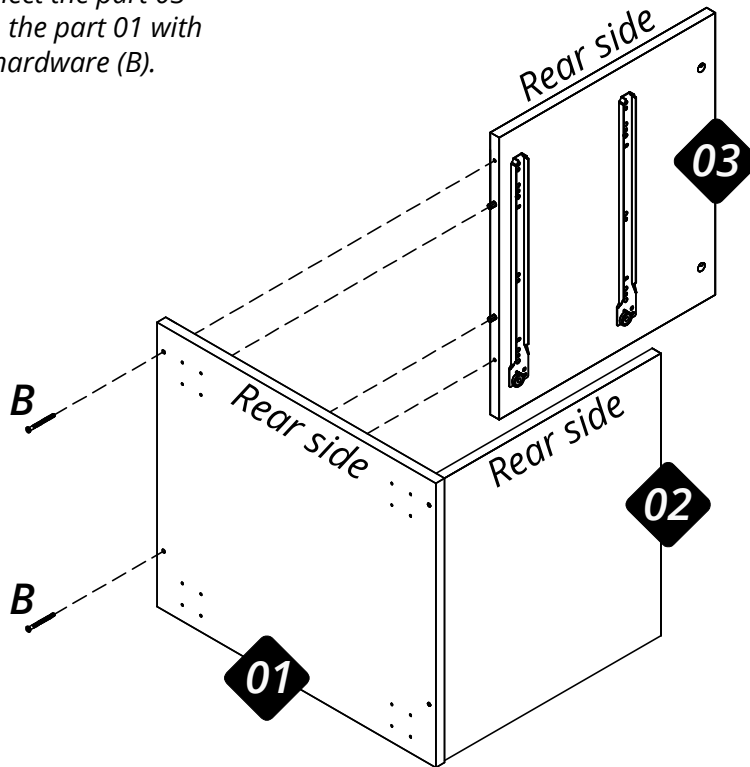


Step 04



B = 02x

Connect the part 03 onto the part 01 with the hardware (B).

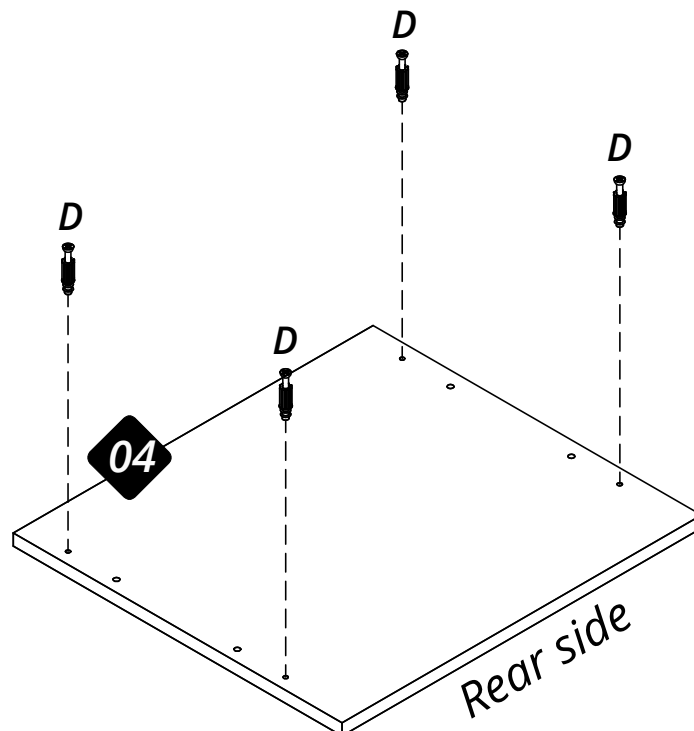
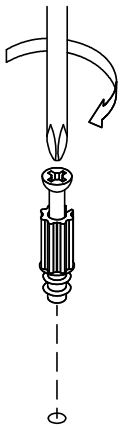


Step 05

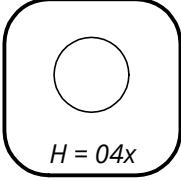


D = 04x

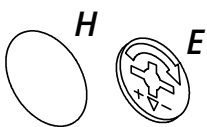
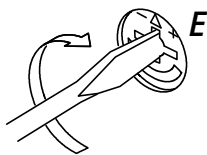
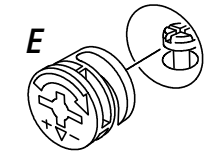
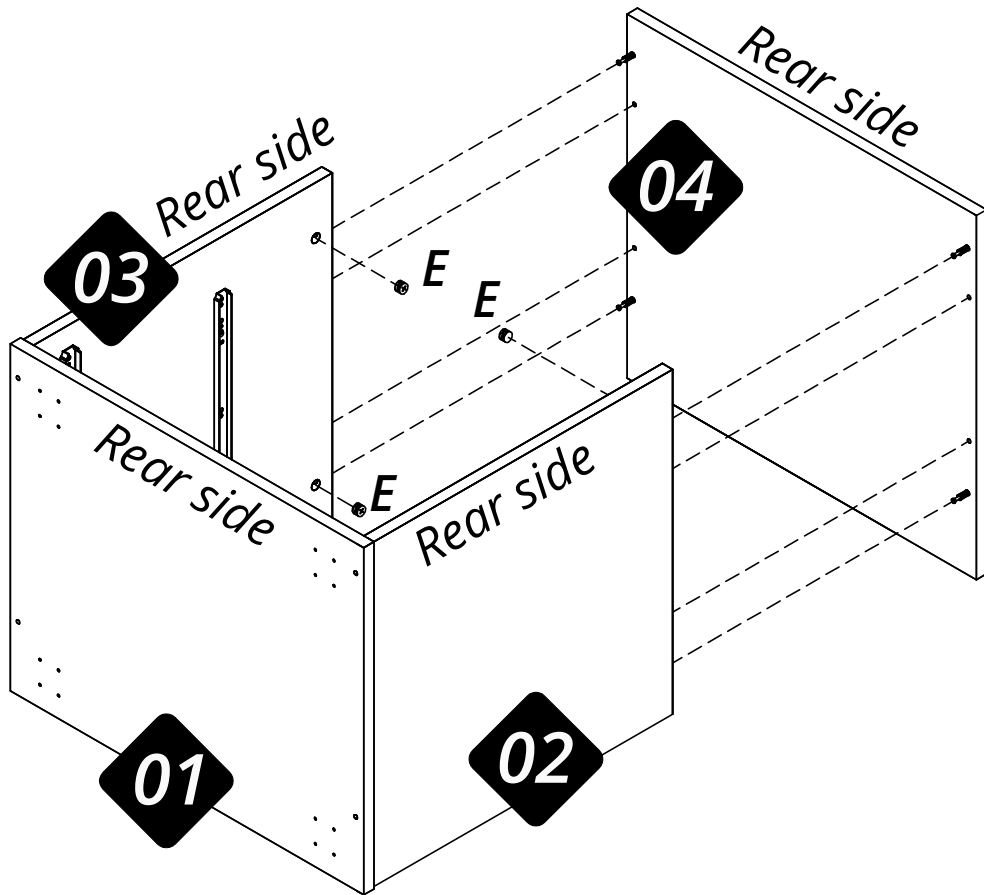
Apply the hardware (D) into the part 04.



Step 06



Connect the part 04 onto the parts 02 and 03 with the hardware E.

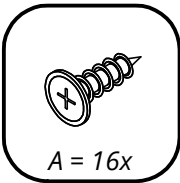
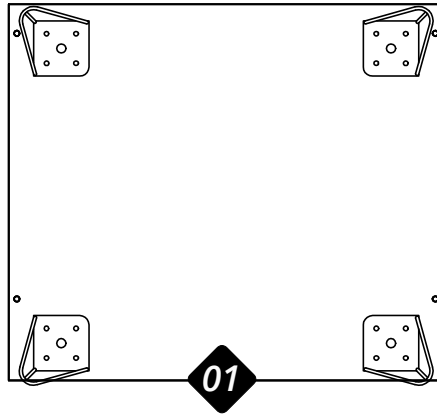


Apply the hardware (H) onto the hardware (E).

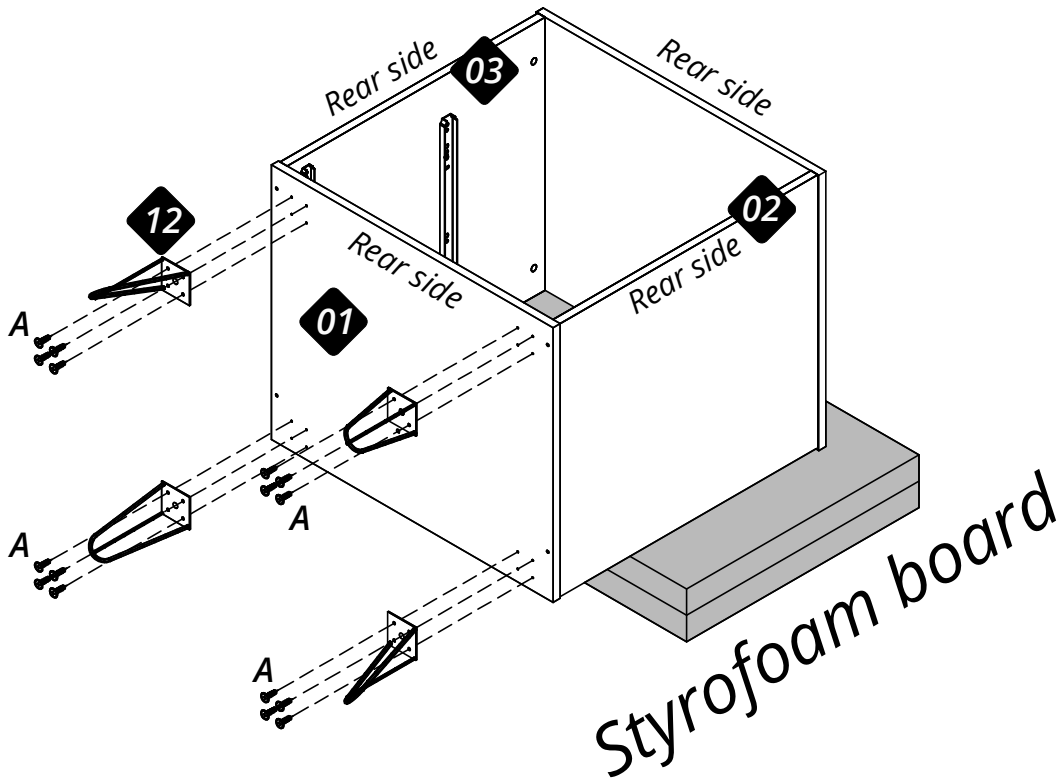
Step 07

Pay attention to the correct position of the feet.

Rear side

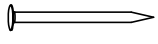


Use some pieces of Styrofoam boards (package part) to avoid contact of the feet (part 12) with the floor. Connect the parts 12 onto the part 01 with the hardware (A).



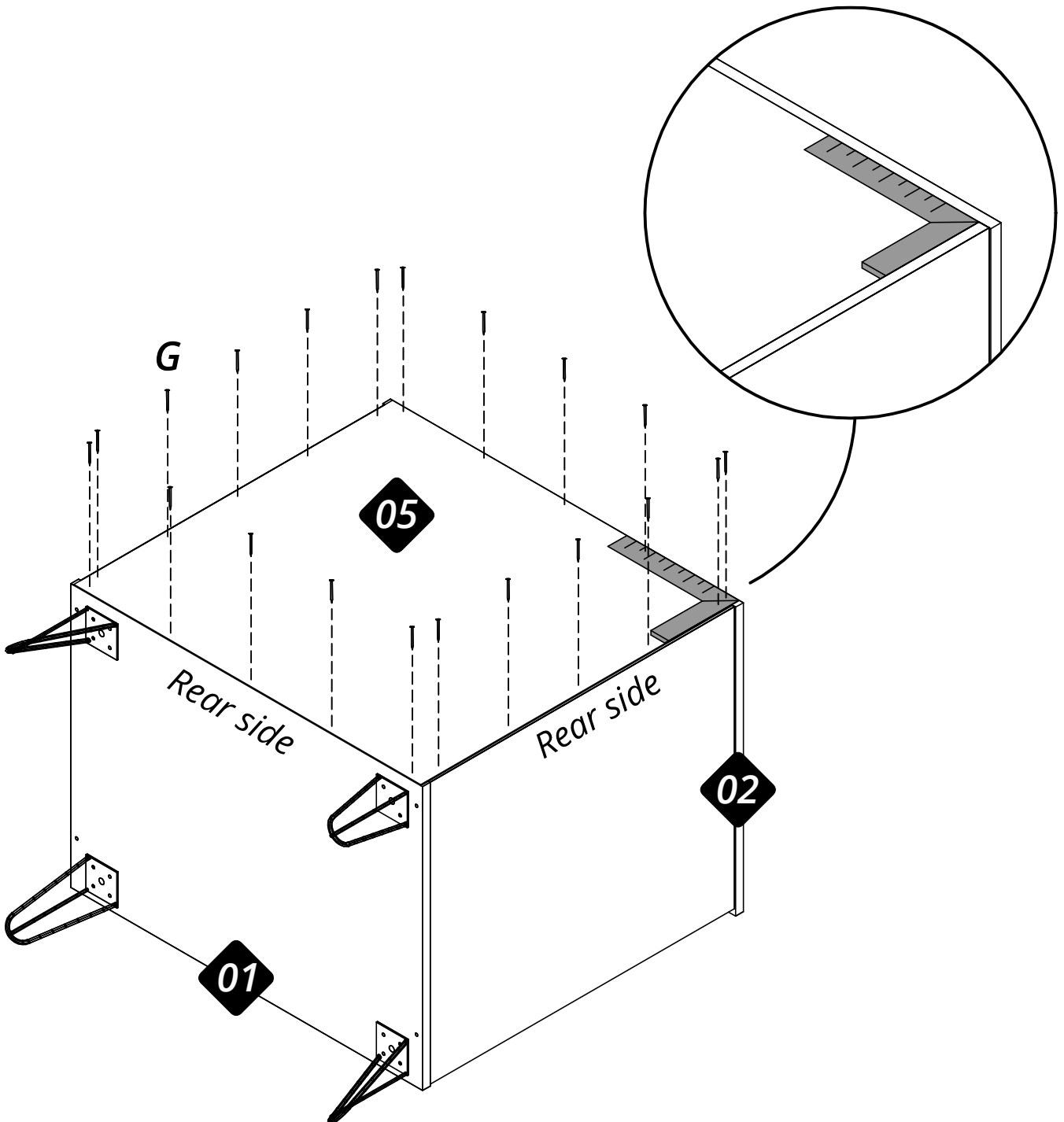
Step 08

Attention, the part 05 must be connected on the rear side!



G = 20x

Use a try square to align the dresser before start nailing the part 05 with the hardware (G).



Step 09



D = 08x

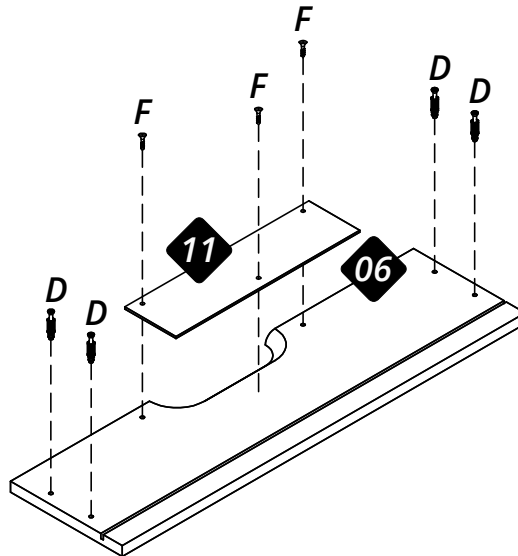
Apply the hardware (D) into the part 06.



F = 06x

Before applying the part 11, observe if your product has the option of matching colors with the front of the drawer (part 06).

Connect the part 11 onto the part 06 with the hardware (F).



Step 10

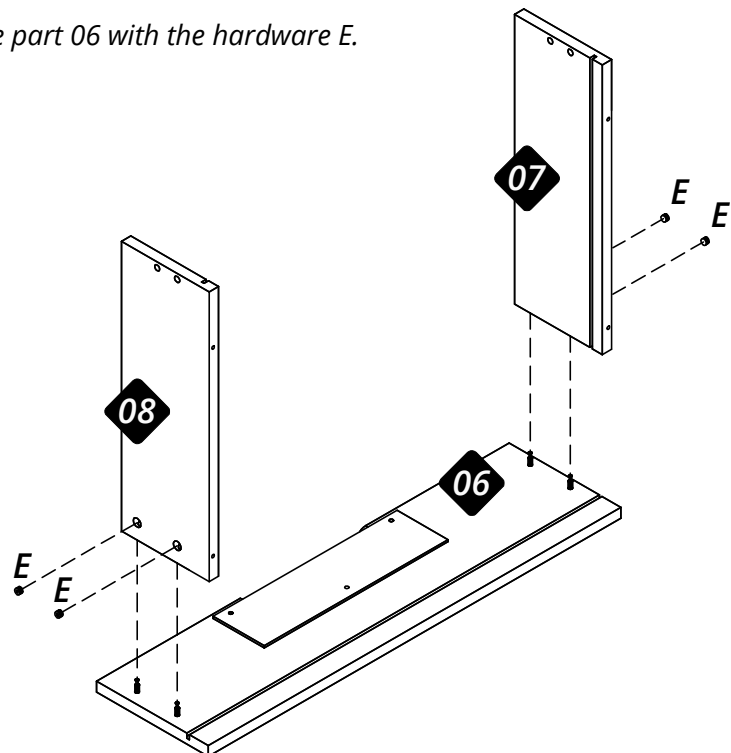
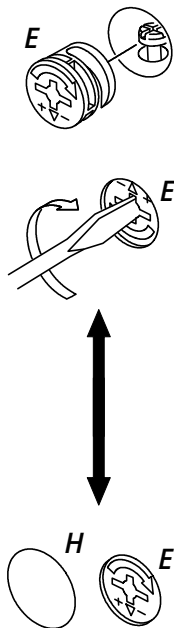


E = 08x

Connect the parts 07, 08 onto the part 06 with the hardware E.



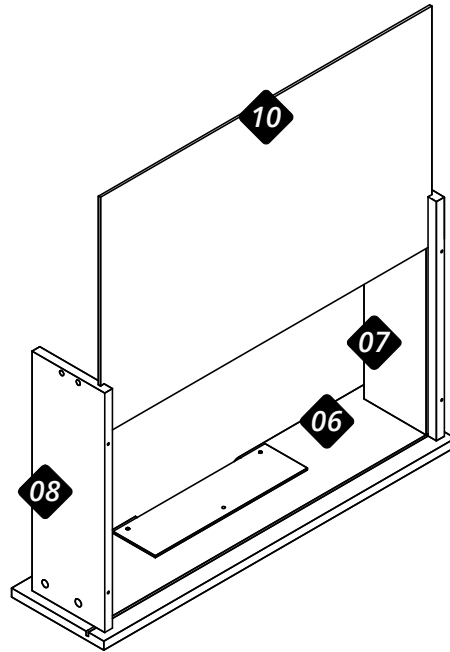
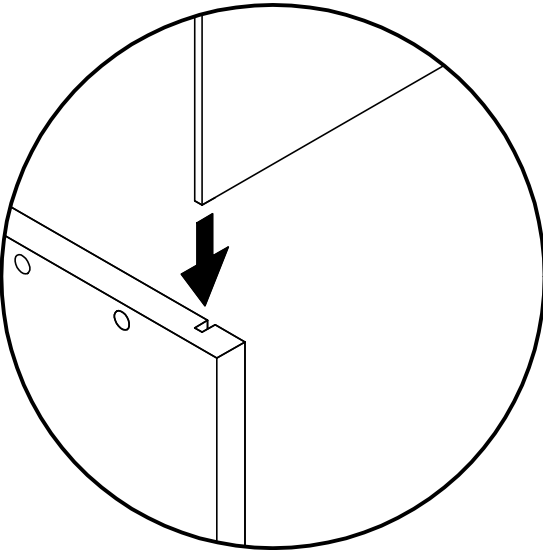
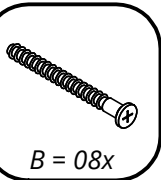
H = 08x



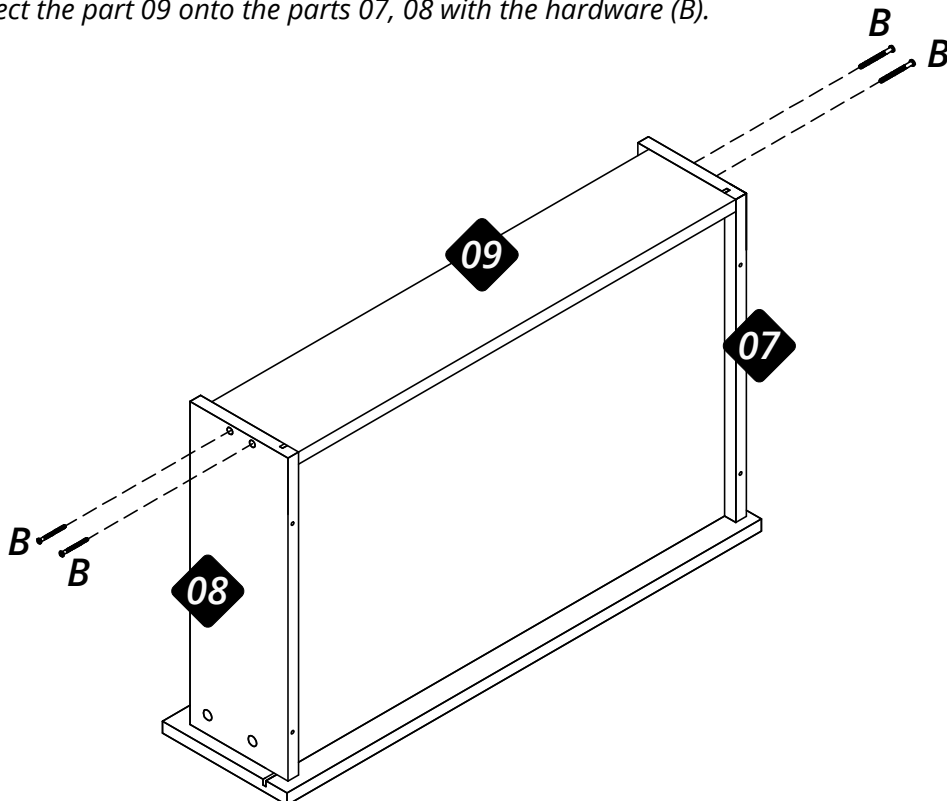
Apply the hardware (H) onto the hardware (E).

Step 11

Apply the part 10 in the groove of the parts 07, 08 until the groove of the part 06.

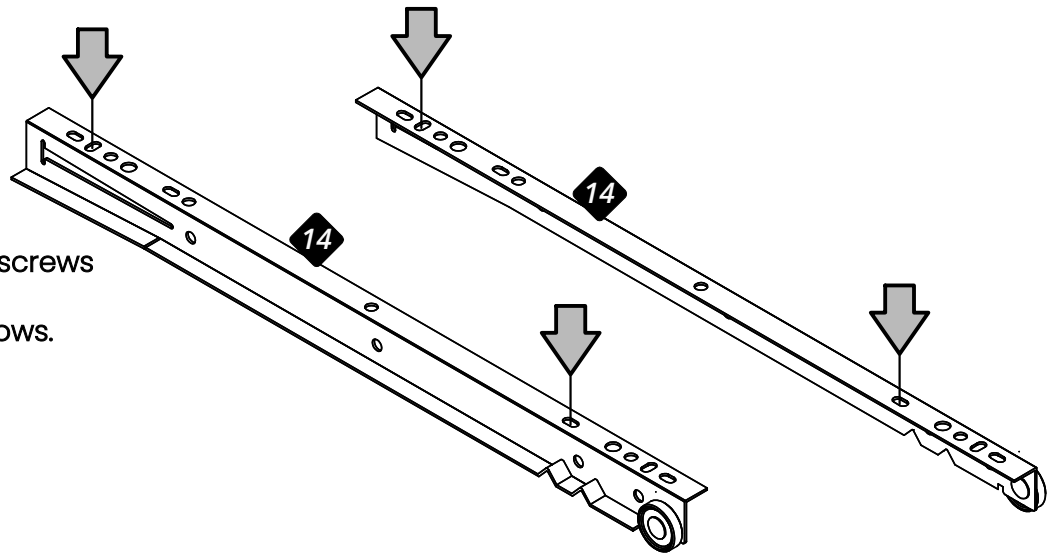
**Step 12**

Connect the part 09 onto the parts 07, 08 with the hardware (B).

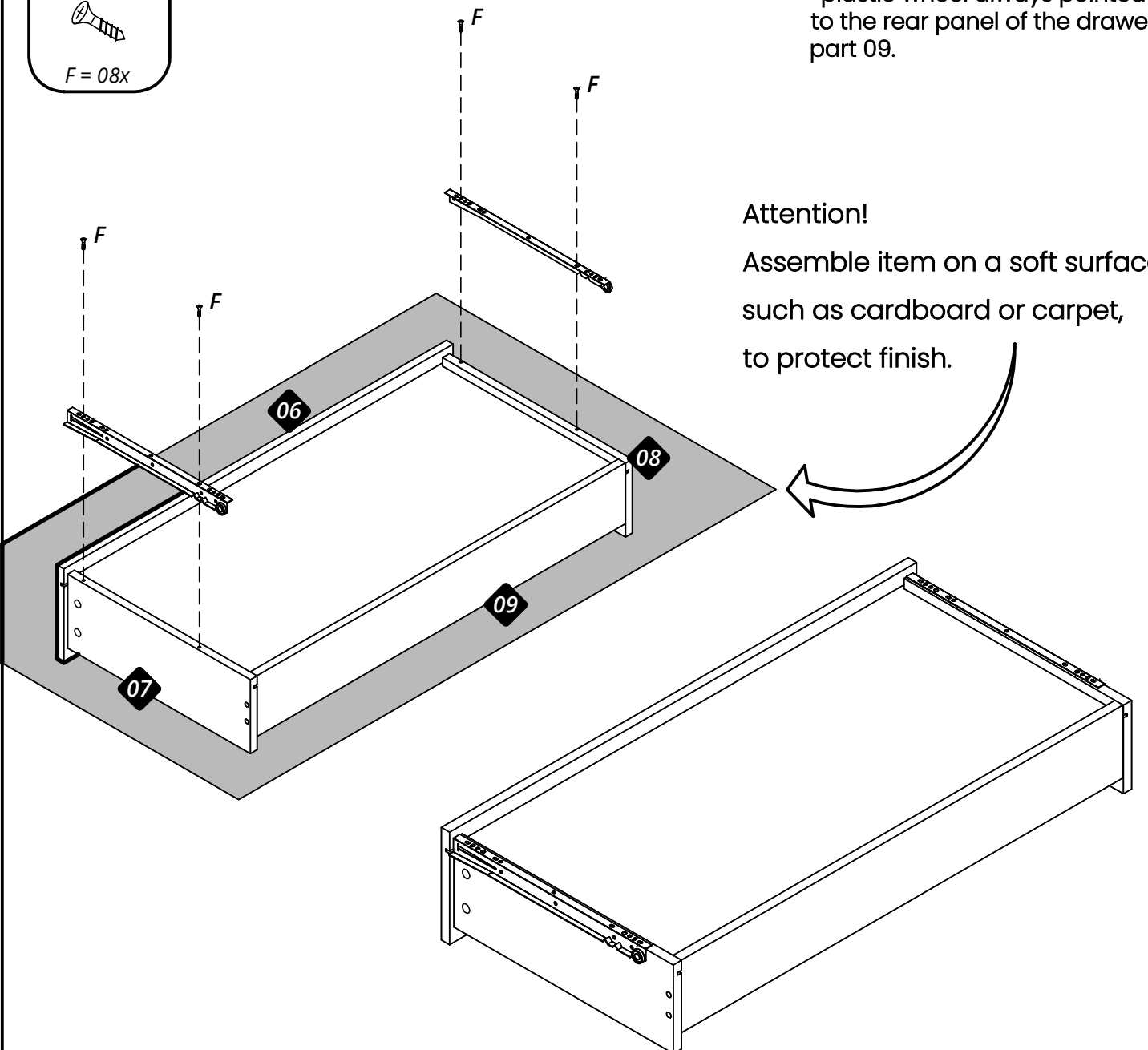
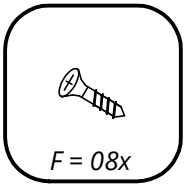


Step 13

You must apply the screws on the holes indicated by the arrows.



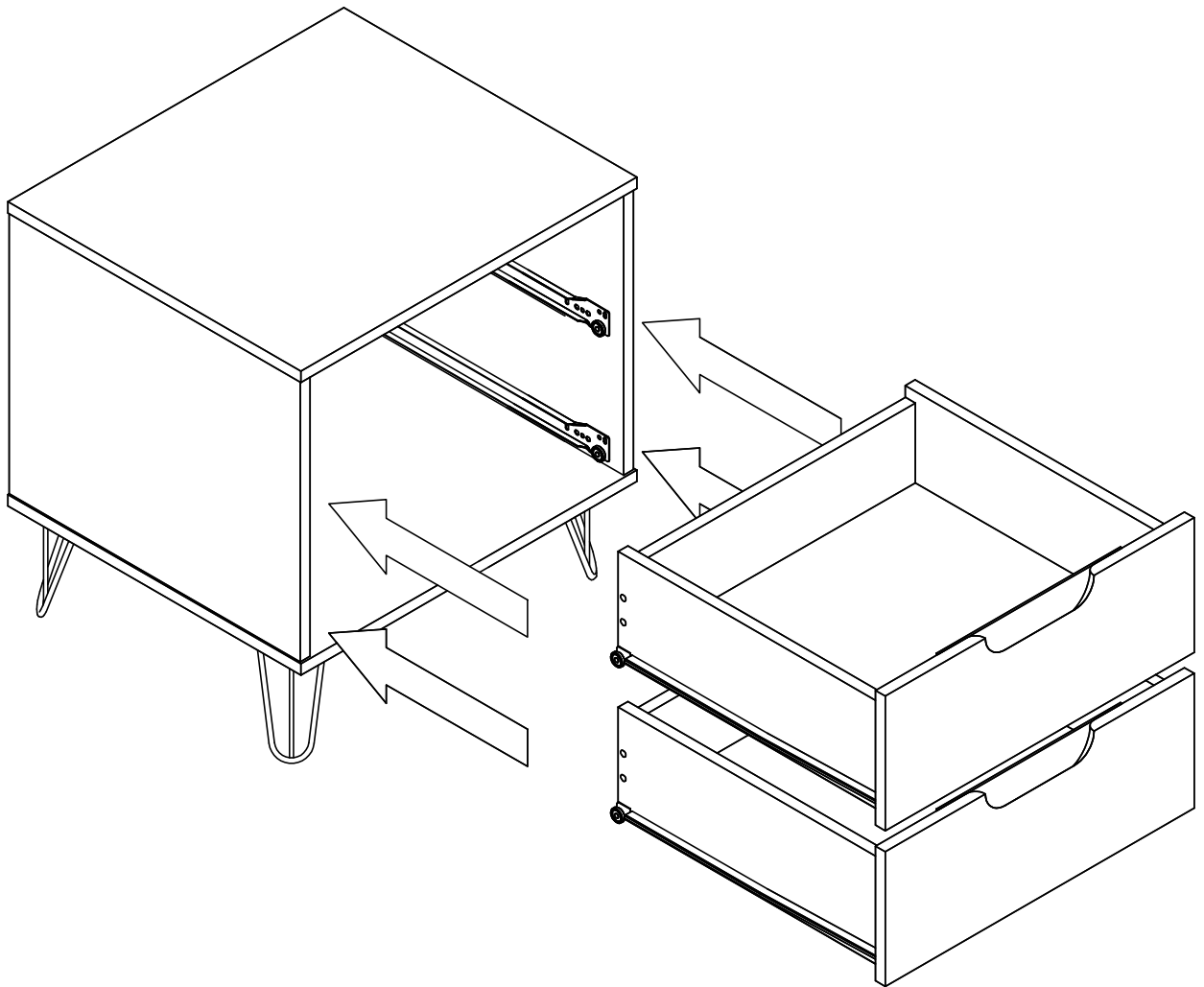
*plastic wheel always pointed to the rear panel of the drawer part 09.



Attention!
Assemble item on a soft surface, such as cardboard or carpet, to protect finish.

Step 14

Install the drawer fitting into the slides fixed on the parts 02,03.



WARRANTY POLICY

All products are warranted, to the original purchaser at the time of purchase and for a period of 30 days thereafter.

Our warranty is limited to new products purchased in factory sealed cartons. This warranty is valid in the us.

In order to provide you with timely assistance, please thoroughly inspect your furniture for missing or defective parts immediately after opening the carton.

Manhattan Comfort offers a 30-day parts replacement warranty on all items.

Our furniture products are no intended for outdoor use.

THE WARRANTY DOES NOT COVER:

- Defects/damages by improper assembly or disassembly.*
- Defects/damages caused by shipping. Claims for damage during transit should be placed immediately to the transportation company.*
- Defects/damages caused by inappropriate use of the furniture.*