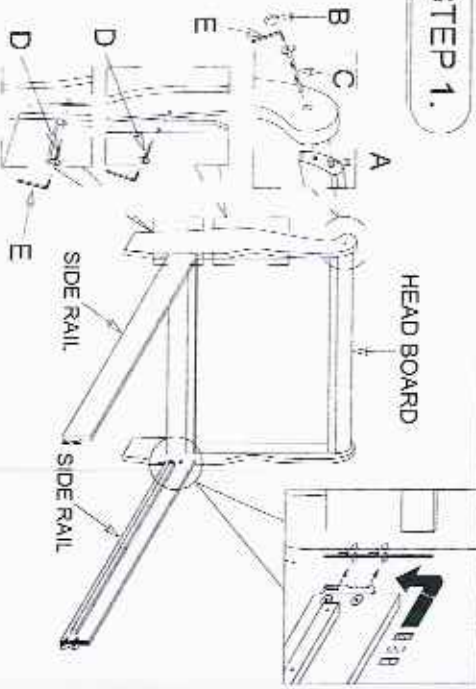


ASSEMBLY INSTRUCTION

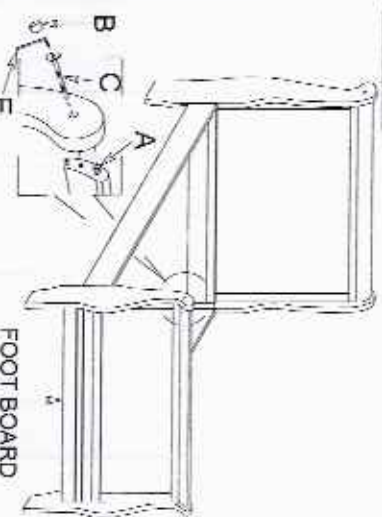
MODEL : LOUIS PHILIPS (TWIN BED 39"X75")

Before you begin, please read Assembly Instruction carefully and recognized the part and hardware. Then follow them step by step.

STEP 1.



STEP 2.



TIPS : REPEAT STEP 1 TO JOINT FOOT BOARD.

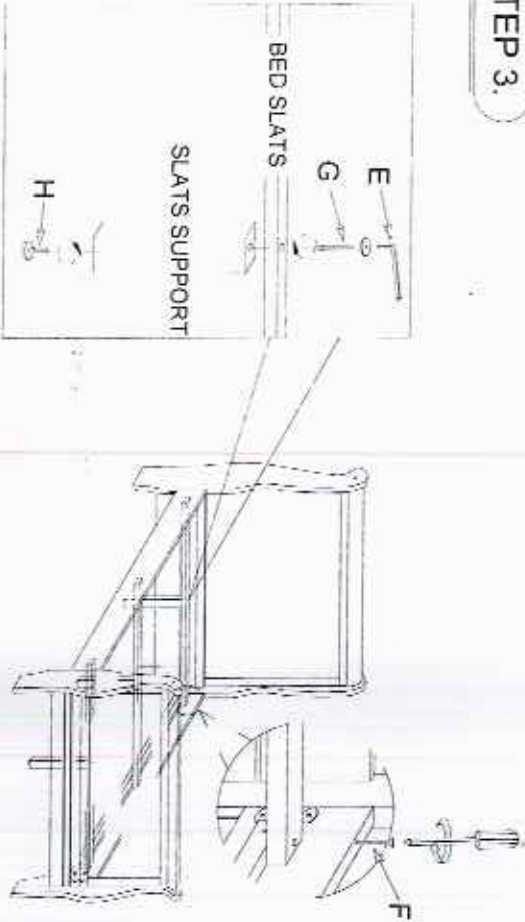
HARDWARE PART 1

NO	HARDWARE DESCRIPTION	QTY
A.	Wood Dowel M ² x 50mm	4PCS
B.	Wood Bolton M ¹ 5 x 9mm	4PCS
C.	JCBC Bolt M6 x 50mm	4PCS
D.	JCBC Bolt M6 x 35mm	8PCS
E.	Allen Key	1PC

HARDWARE PART 2

NO	HARDWARE DESCRIPTION	QTY
F.	On board Screw M4 x 30mm	6PCS
G.	JCBC Bolt M6 x 35mm	3PCS
H.	Adjuster Screw M6 x 24mm Screw Driver Nut Provice II	3PCS

STEP 3.



* TOTAL SLAT : 3PCS (WITH JCBC HOLE) + 3PCS (SLATS SUPPORT)

COMPLETE SET

