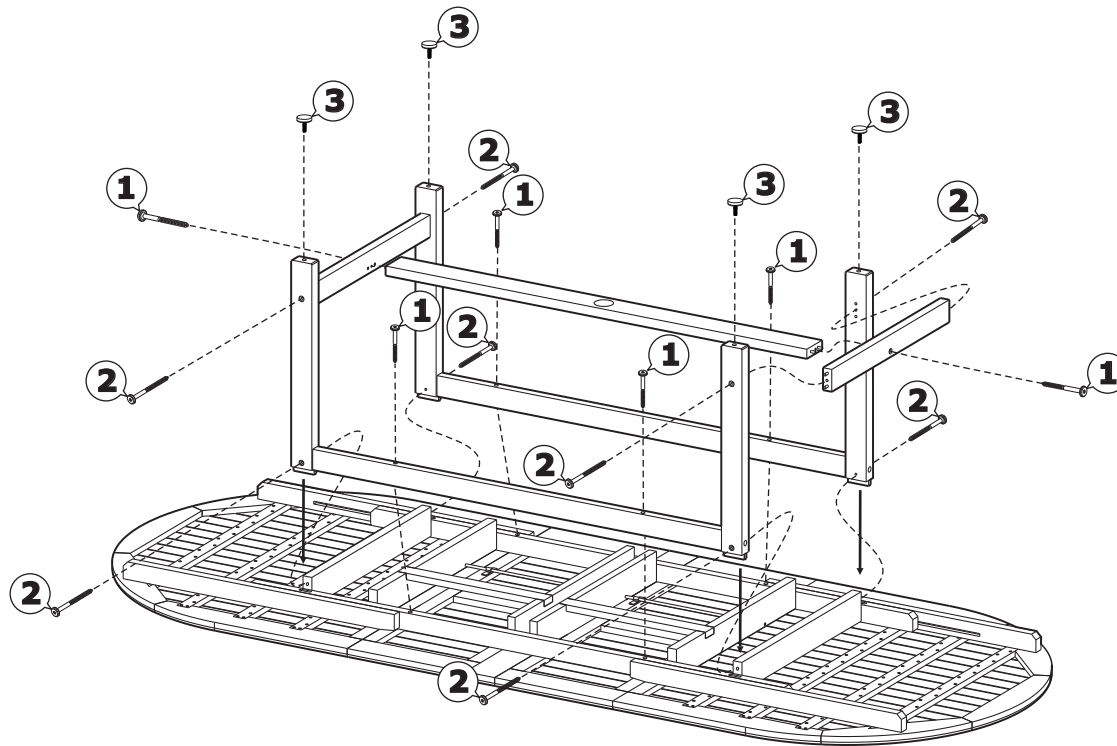


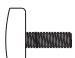
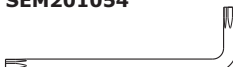



Assembly Instruction



- 1**  F-screw 6x70-T30, GS x 6 PCS
SEM201428
- 2**  F-screw 6x80-T30, GS x 8 PCS
SEM201429
- 3**  Table foot black, P x 4 PCS
SEM201054
- 4**  Torx key T30, GS x 1 PCS
SEM201430
- 5**  Sc brasscenter for ph,
ø50mm, SB x 1 PCS
SEM600001

DIAN DELUXE DOUBLE EXT. OVAL DINING TABLE 87"-118"x47", 29"H, W/PH, TEA