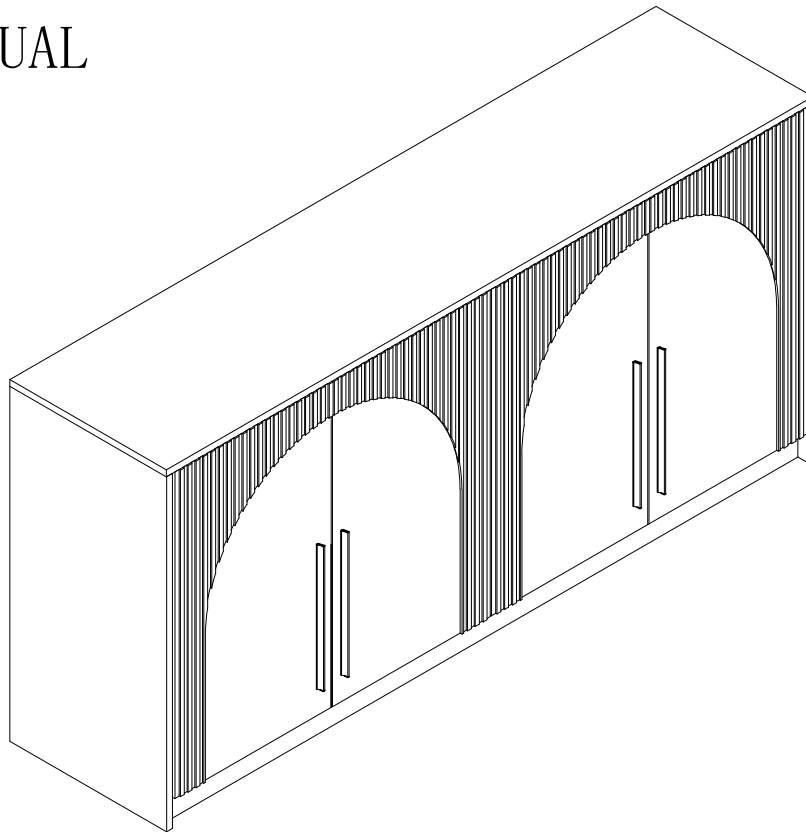
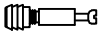






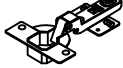




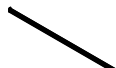




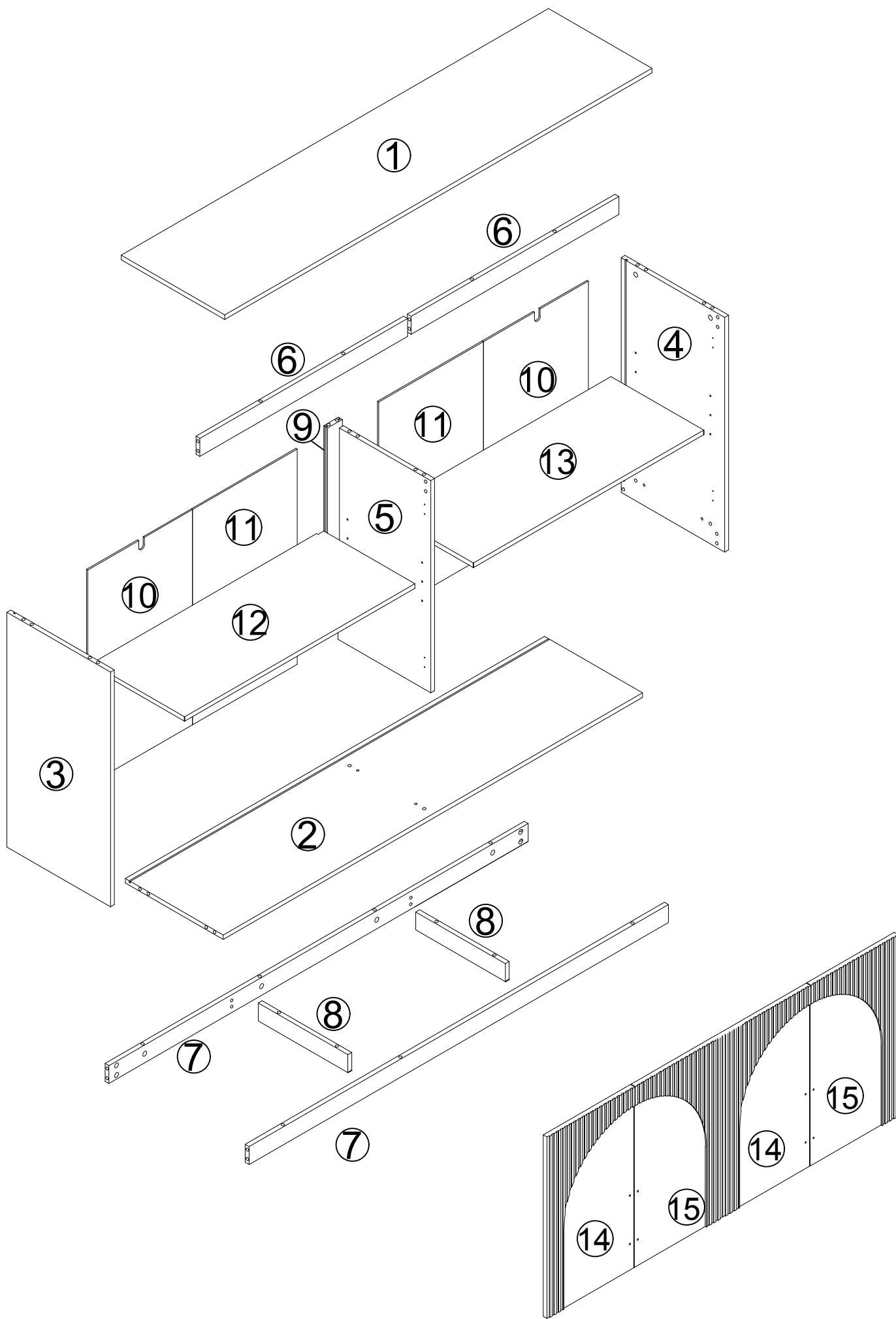
USER MANUAL

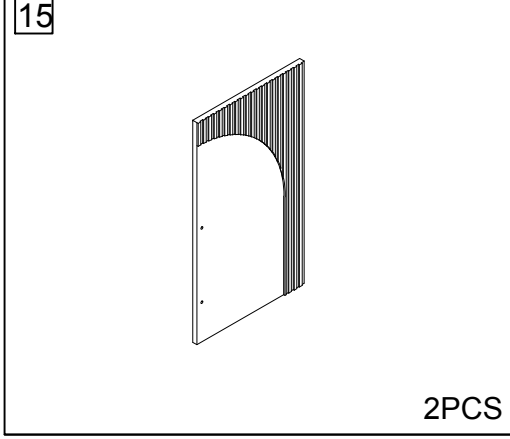
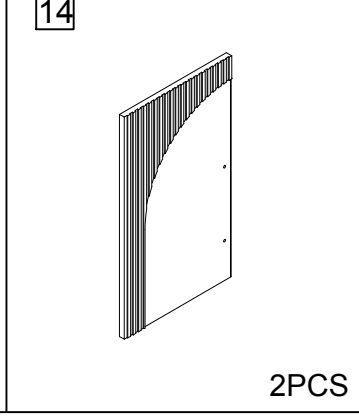
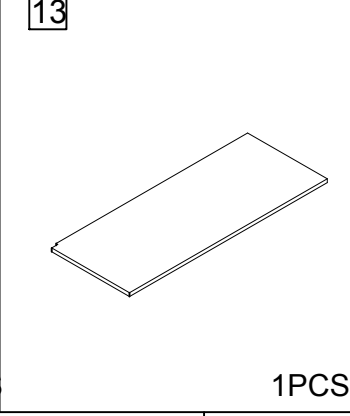
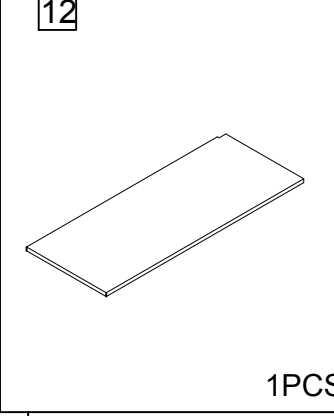
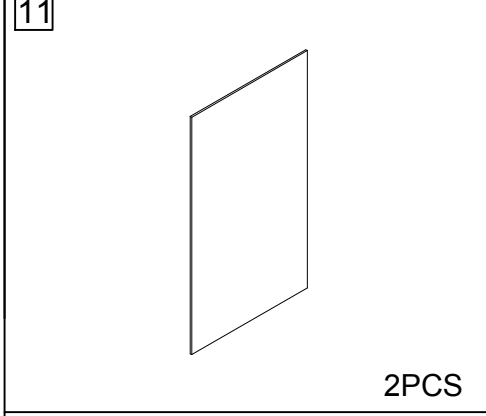
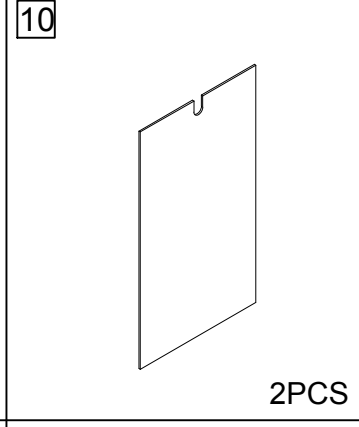
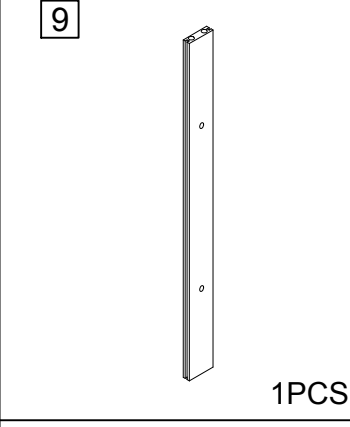
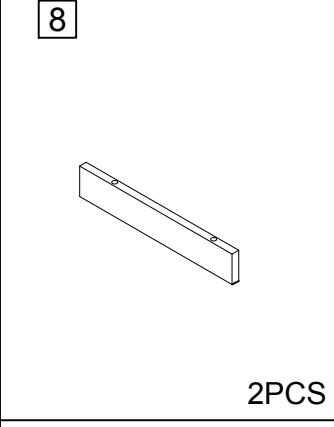
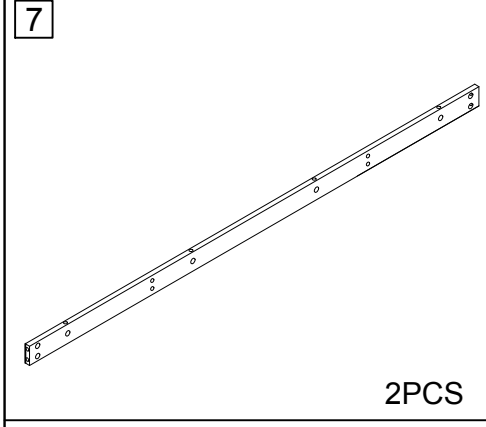
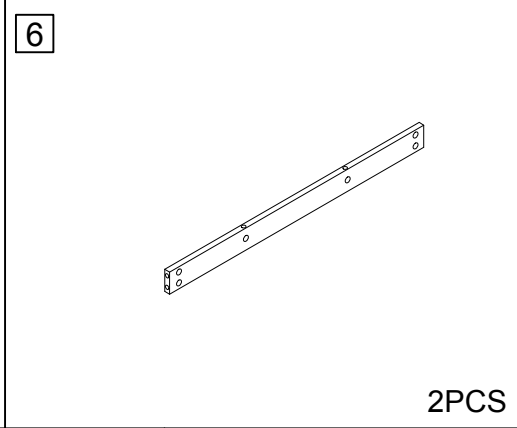
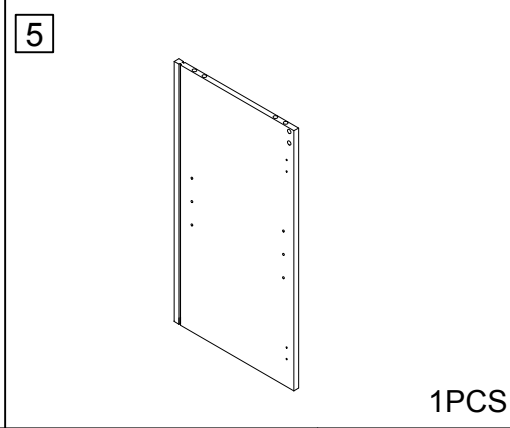
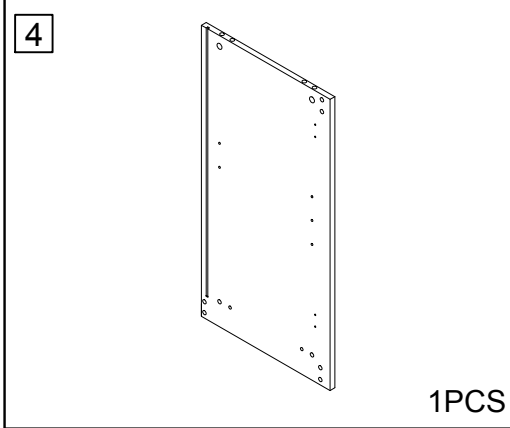
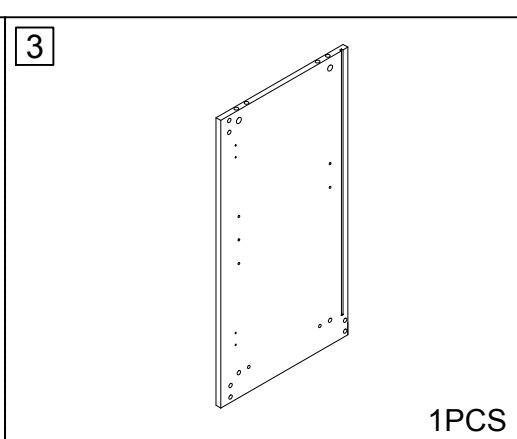
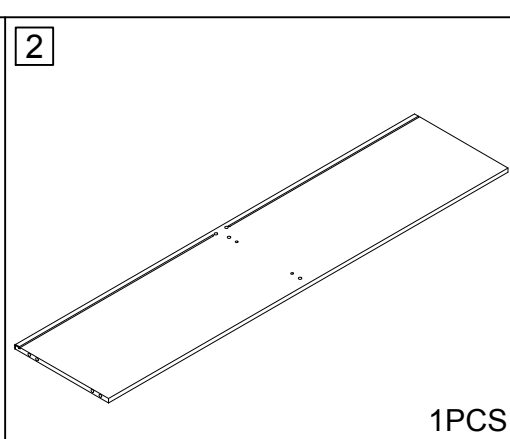
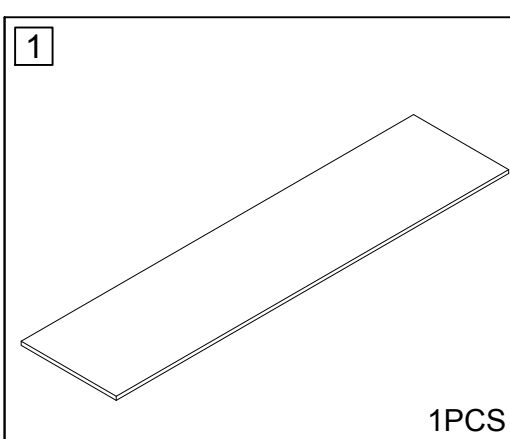


Thank you for choosing our products! To ensure a smooth and safe installation, please carefully read this manual and follow the instructions. For the video installation instructions, please refer to the product page.

- Before installation, please check the product list to make sure you have received all parts.
- During the installation, please operate carefully to avoid injury. Pay special attention to safety when carrying heavy objects or operating sharp tools.
- Please follow the steps in order. Do not skip any steps.
- If you encounter any problems during the installation process, please stop the operation immediately and contact our customer service team for help.
- Periodically check to ensure that all connectors (bolts, screws, etc.) are tight.

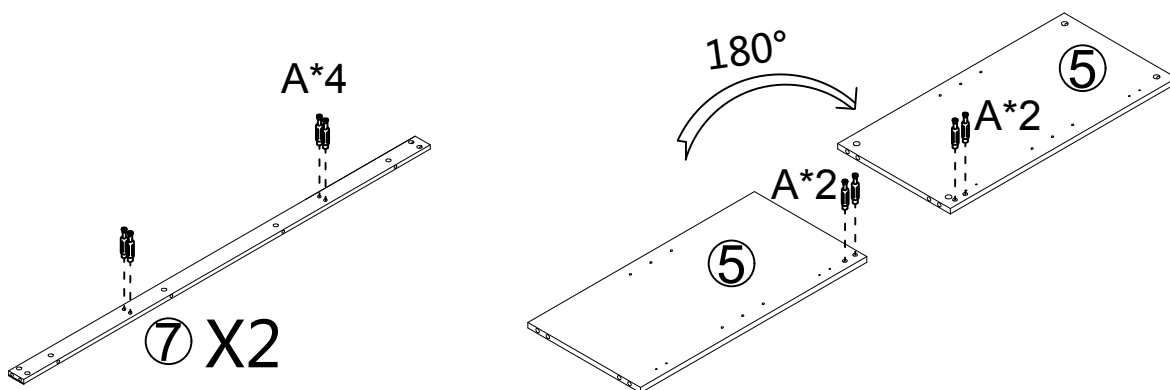
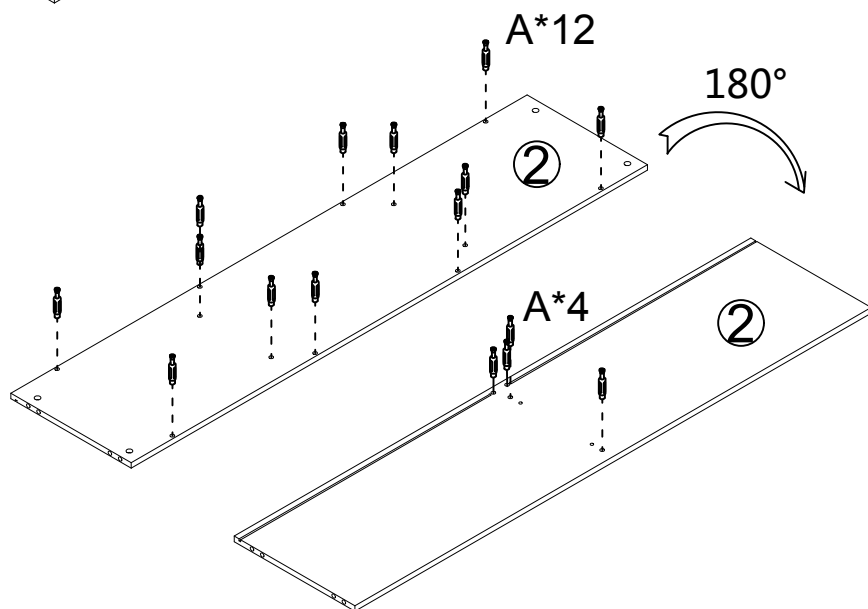
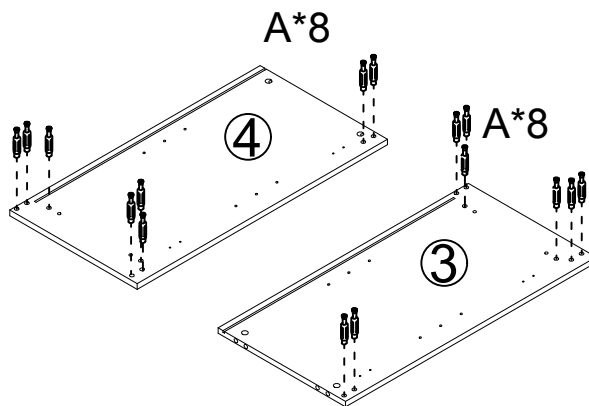
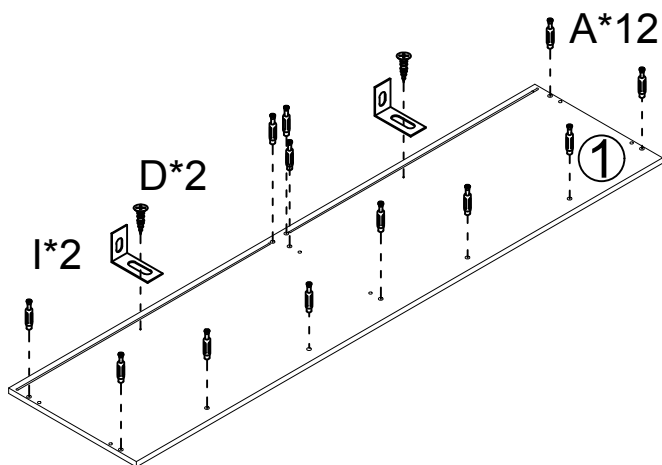
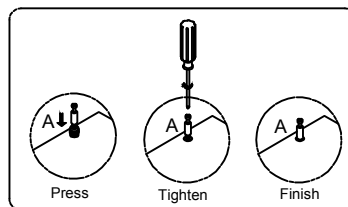
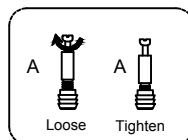
A x56+3  Ø6*35mm	B x56+3  Ø15*11.5mm	C x12+1  Ø8*30mm	D x66+3  M3.5*14mm	E x2  Ø6*38mm	F x4  300mm	G x4 
H x4 	I x2 	J x2 	K x16 	L x8 	M x2  708mm	N x8+1 
O x8+1  4*16mm						





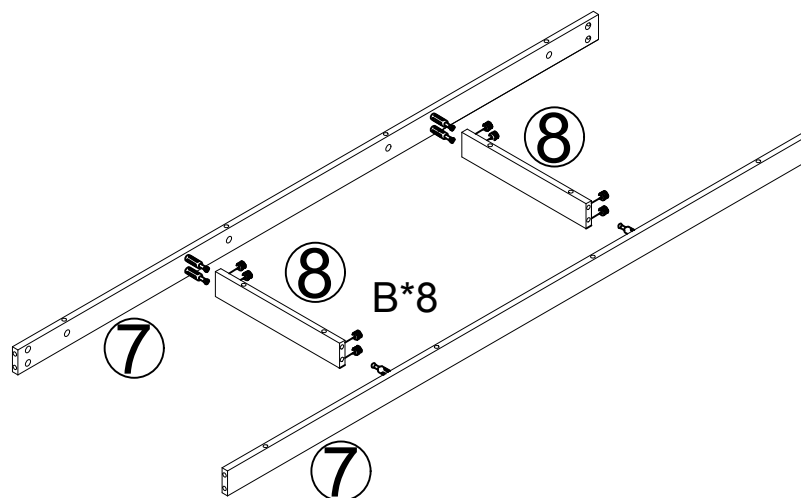
STEP 1


Make sure the screws are loose before pressing



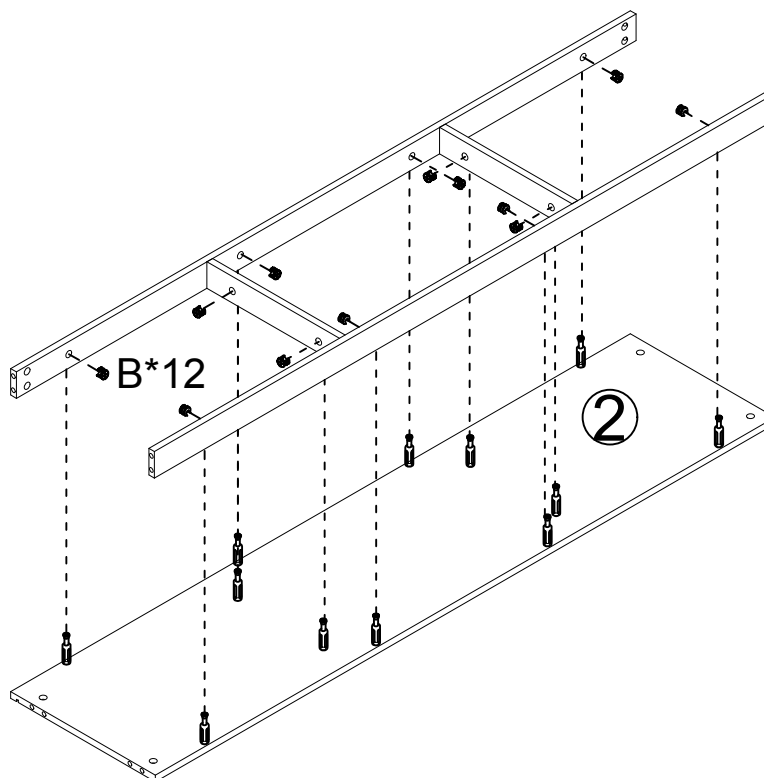
A	56PCS	D	2PCS	I	2PCS
Ø6*35mm		M3.5*14mm			


STEP 2



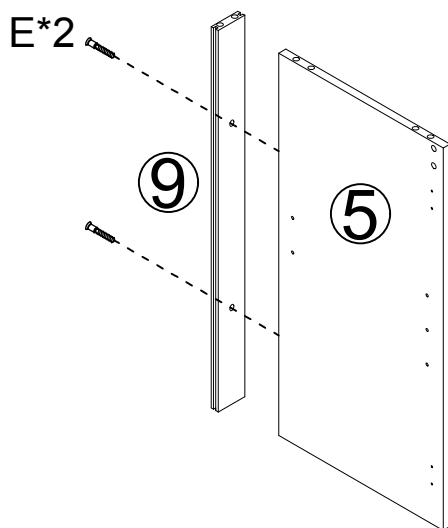
B	8PCS
	
Ø 15*11.5mm	


STEP 3



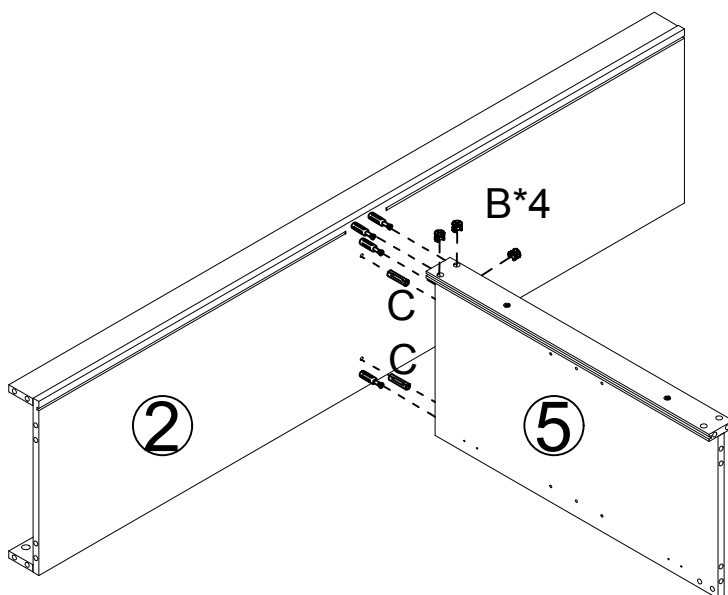
B	12PCS
	
Ø 15*11.5mm	



STEP 4



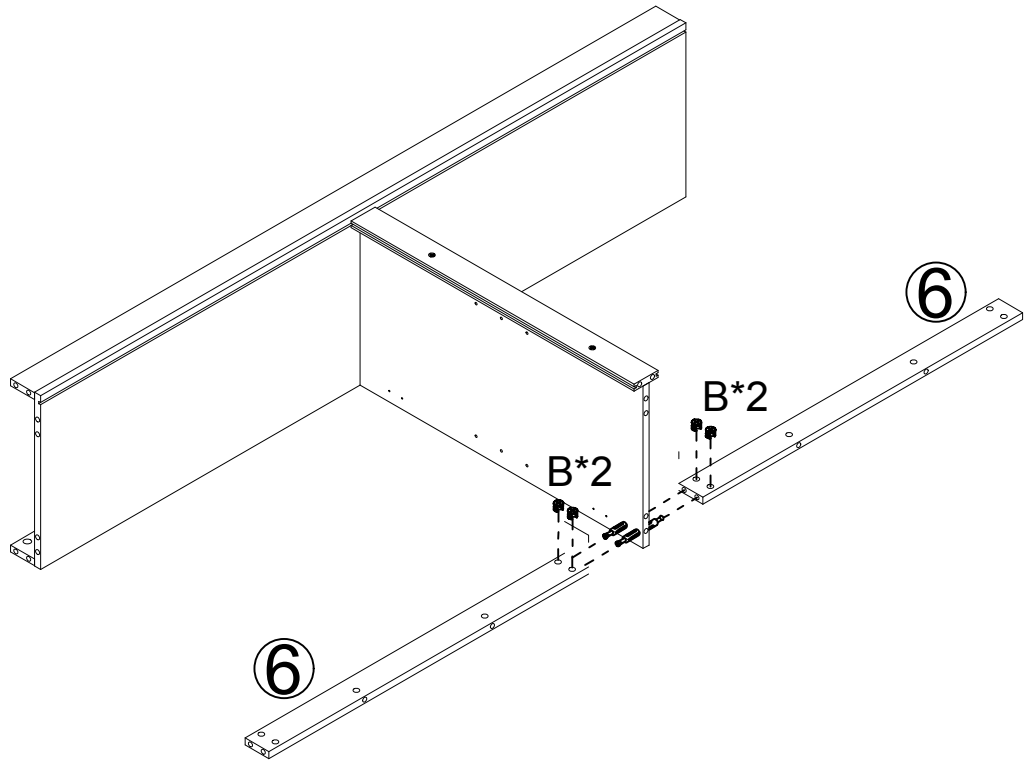
E	2PCS
	
Ø6*38mm	


STEP 5



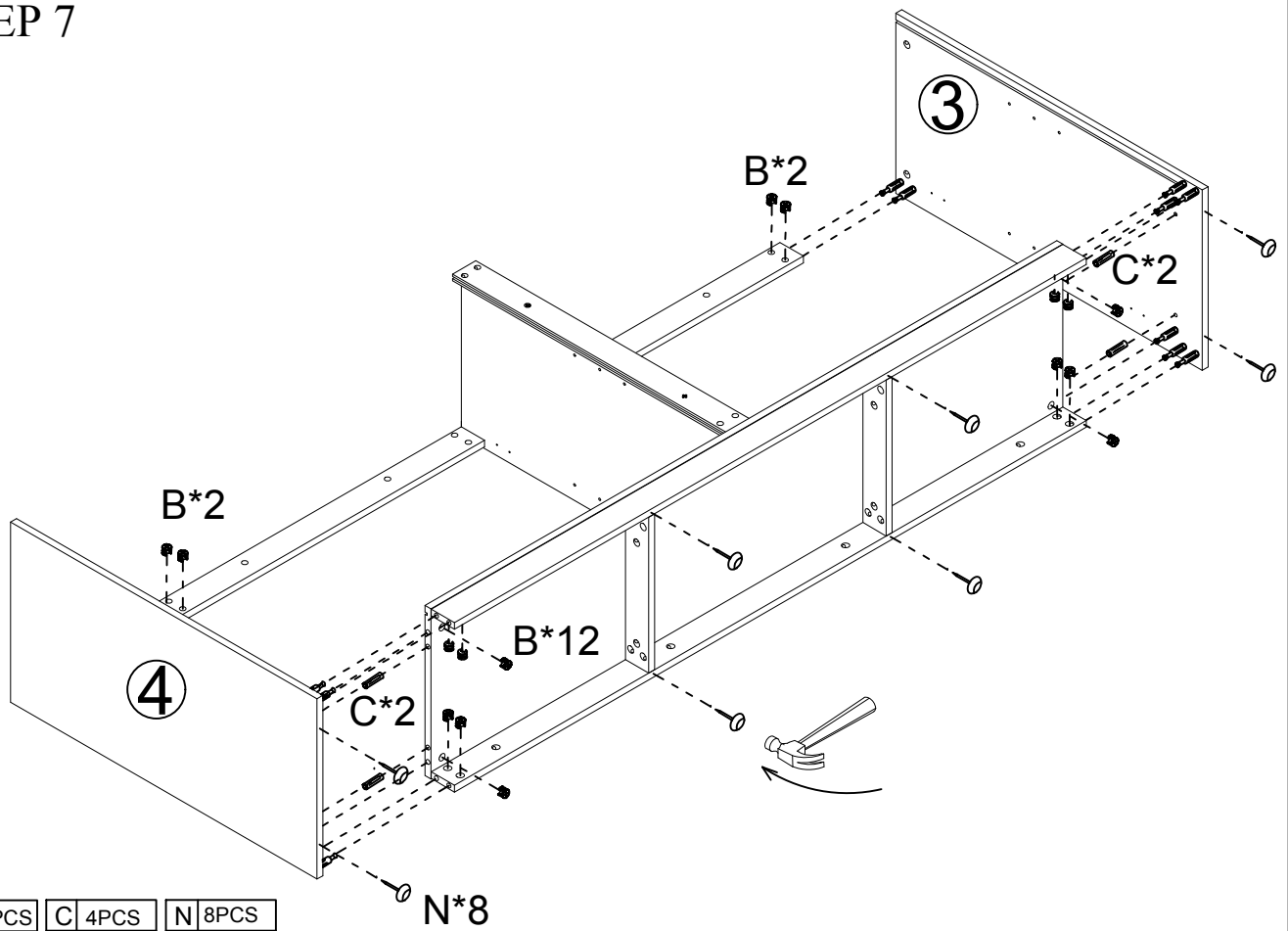
B	4PCS	C	2PCS
			
Ø 15*11.5mm		Ø8*30mm	




STEP 6



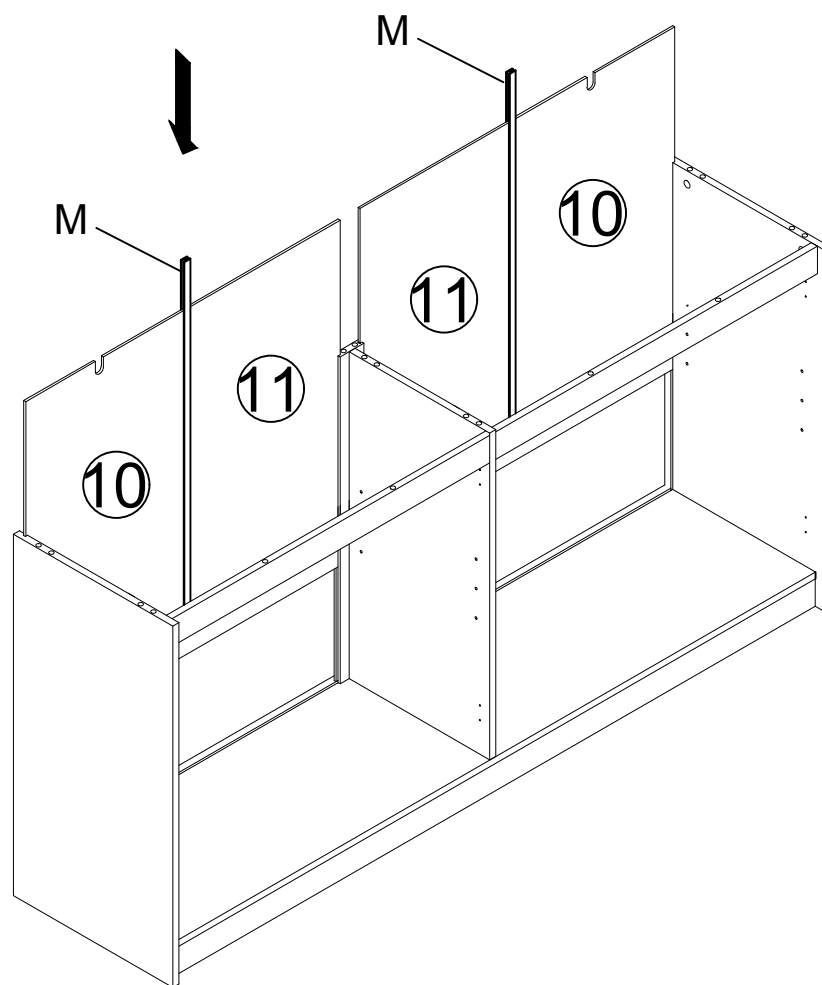
B	4PCS
	
Ø 15*11.5mm	

STEP 7



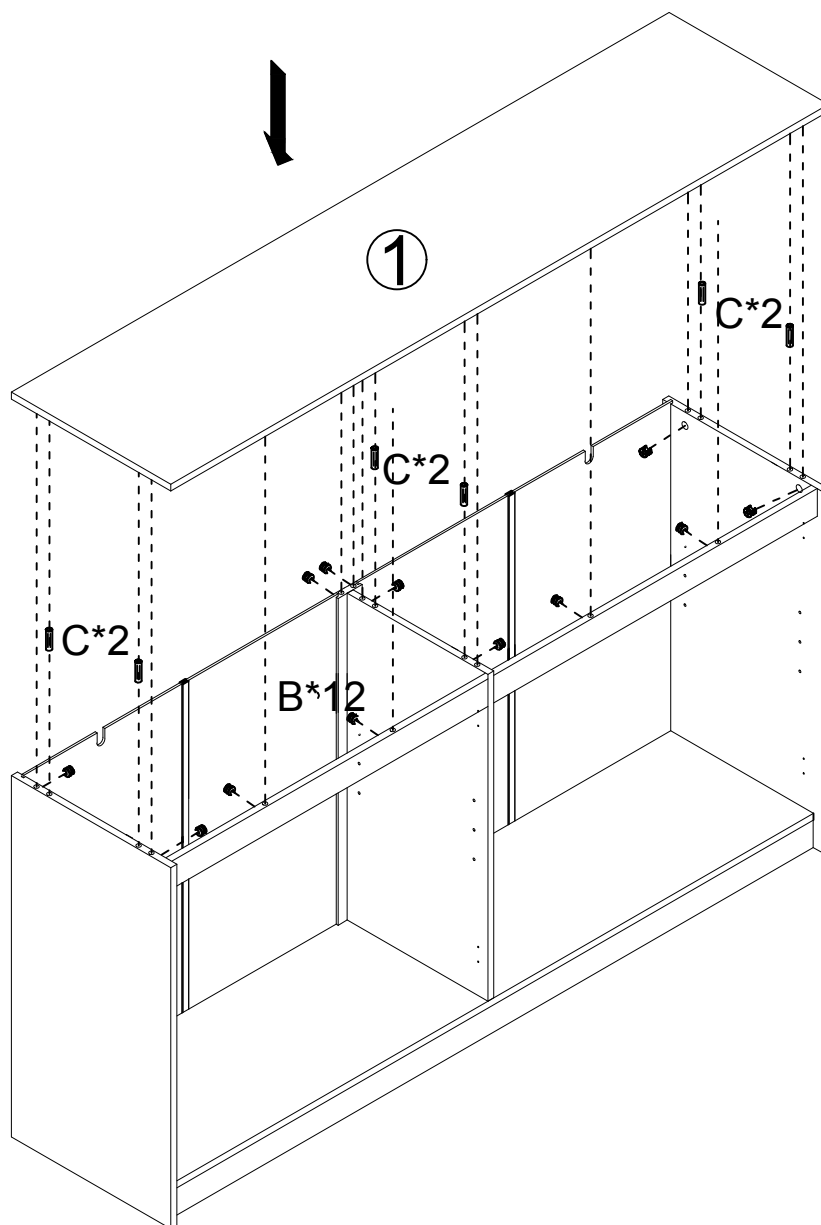
B	16PCS	C	4PCS	N	8PCS
					
Ø 15*11.5mm		Ø8*30mm			



STEP 8



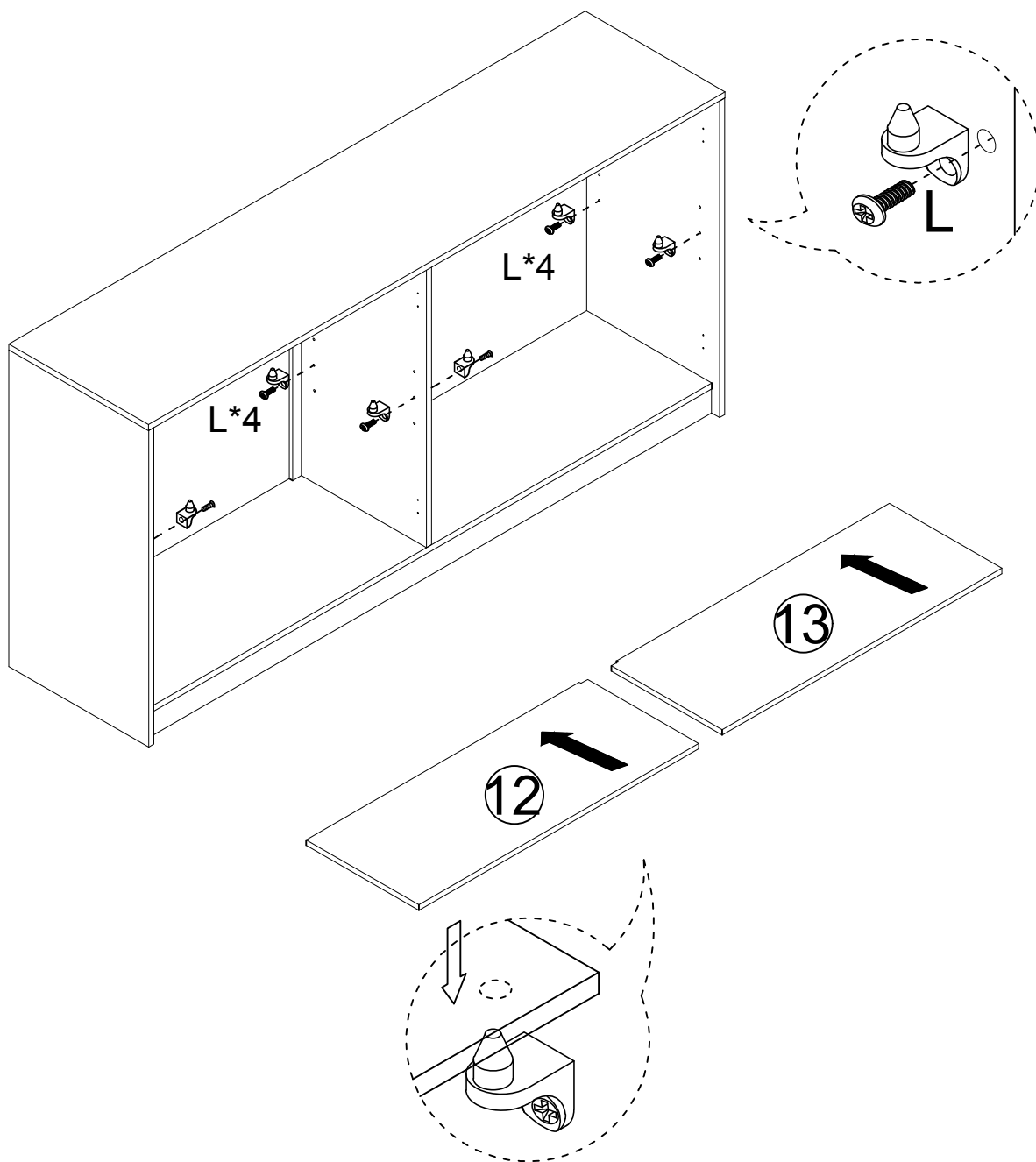
M	2PCS


STEP 9



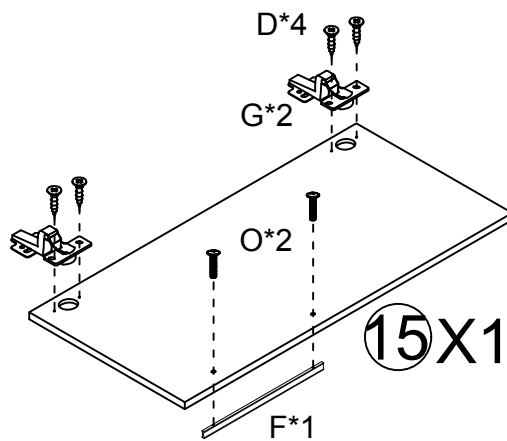
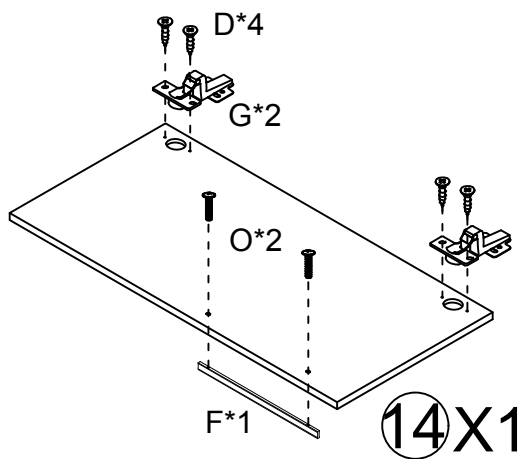
B	12PCS	C	6PCS
			
Ø 15*11.5mm		Ø8*30mm	

STEP 10



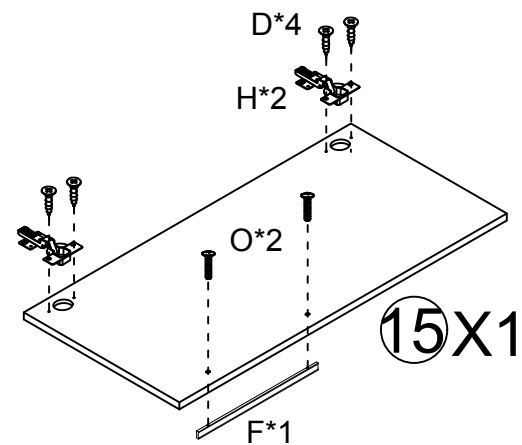
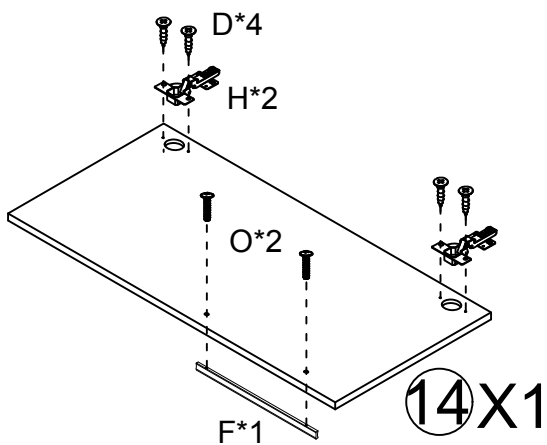
L	8PCS
	

STEP 11



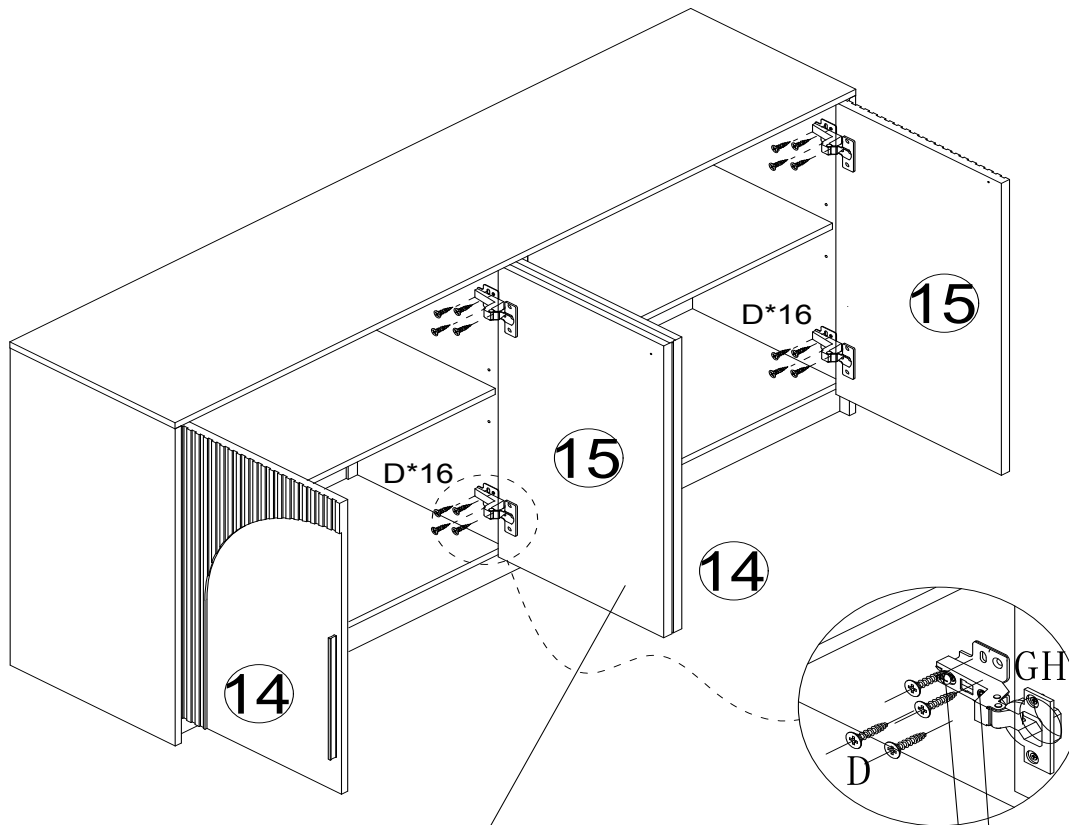
G 4PCS	D 8PCS	F 2PCS	O 4PCS
	M3.5*14mm		

STEP 12




H 4PCS	D 8PCS	F 2PCS	O 4PCS
	M3.5*14mm		

STEP 13



The two screws on the front and back can adjust the gap of the door panel.

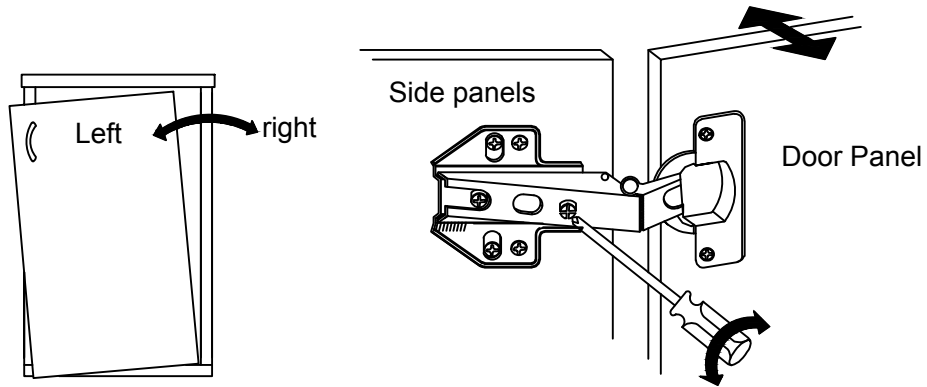
Please note that for the door panel numbered 14 and 15, the hinge "H" should be installed.

D	32PCS
	
M3.5*14mm	

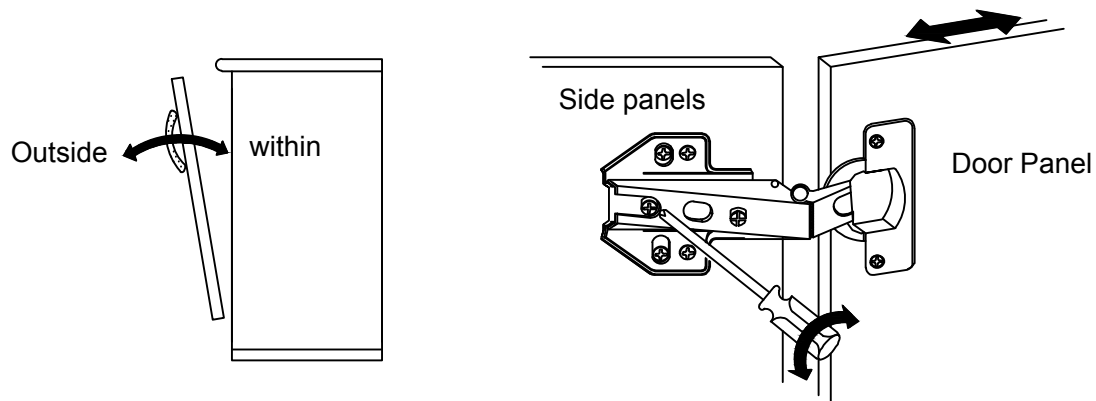
STEP 14

Door hinge adjustment method

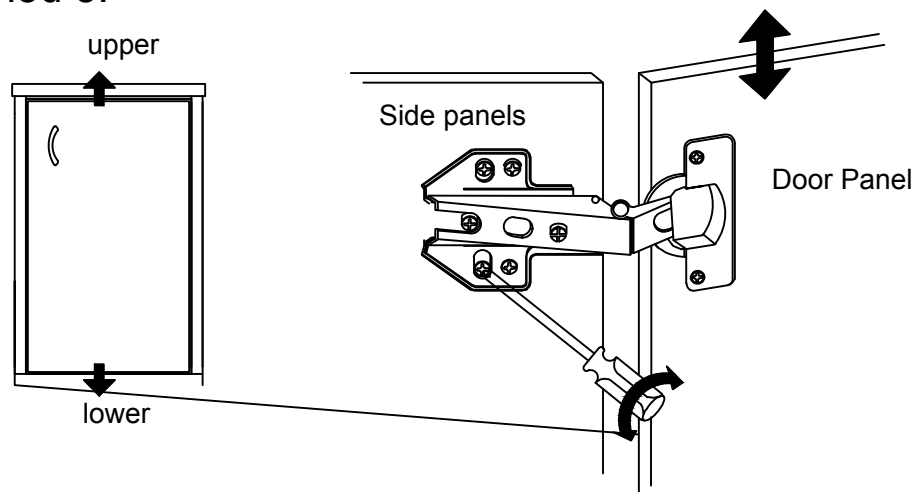
Method 1:



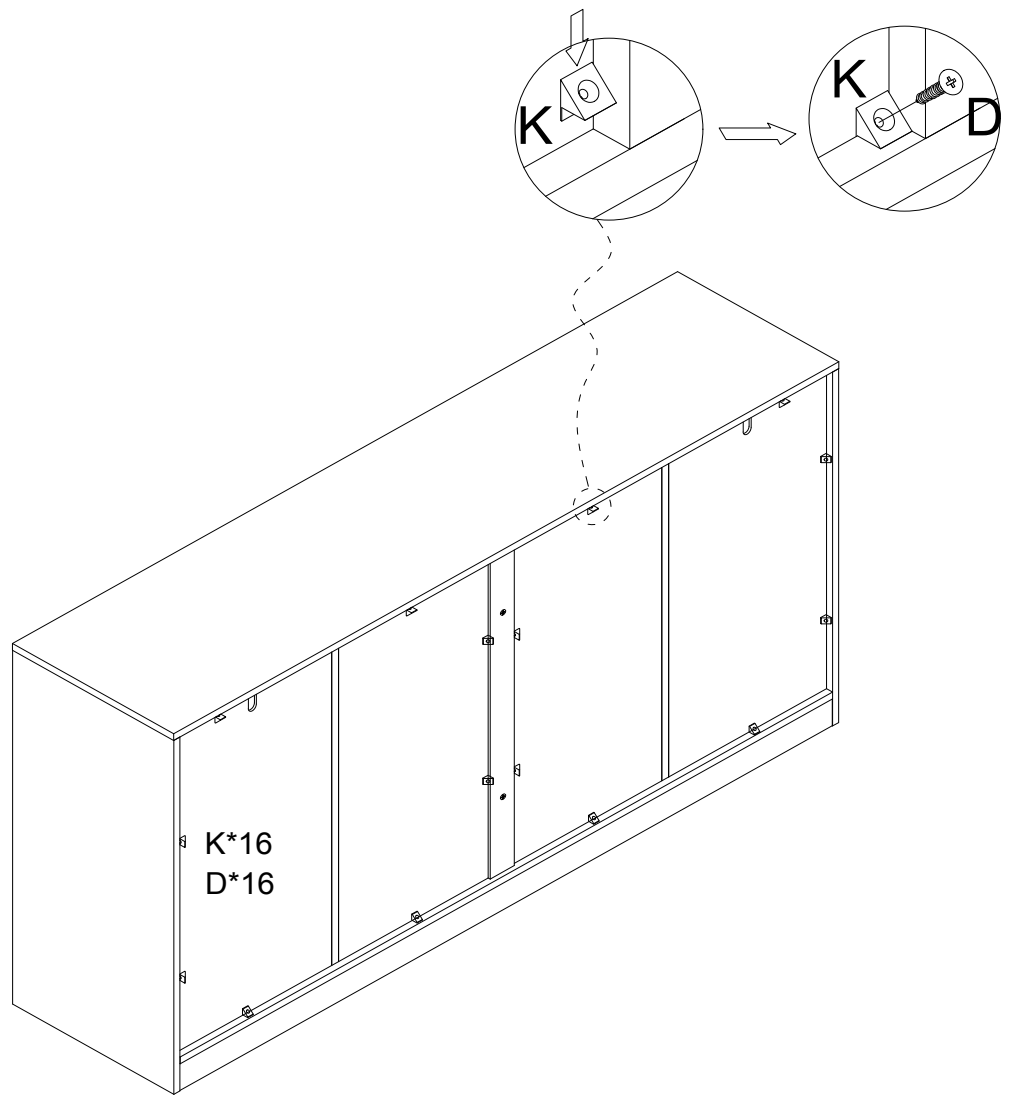
Method 2:





Method 3:



STEP 15



K*16
D*16

D 16PCS	K 16PCS
	
M3.5*14mm	

STEP 16

