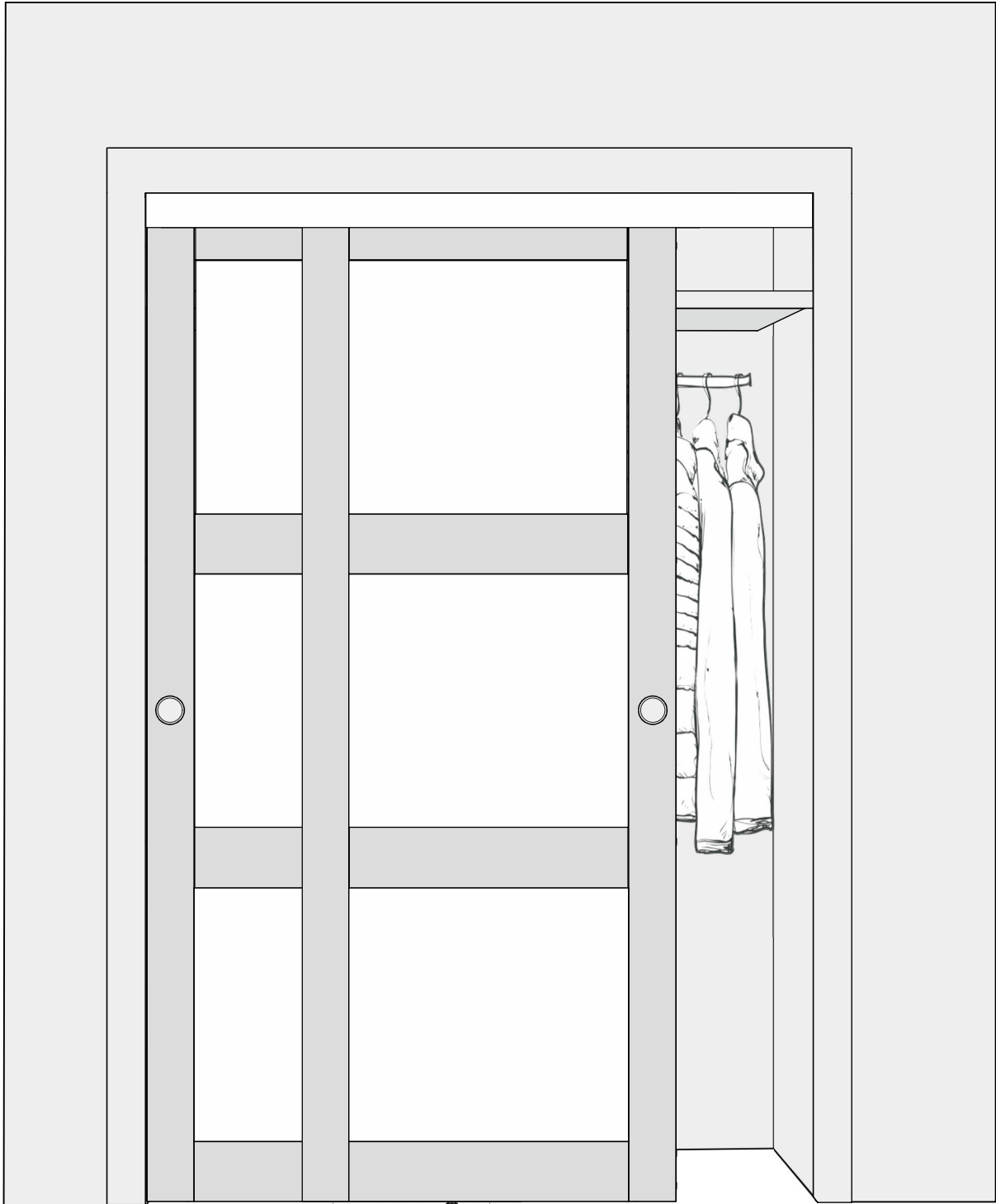


Installation manual

3CD-W72B+3CD-W72B-HD



INSTRUCTIONS

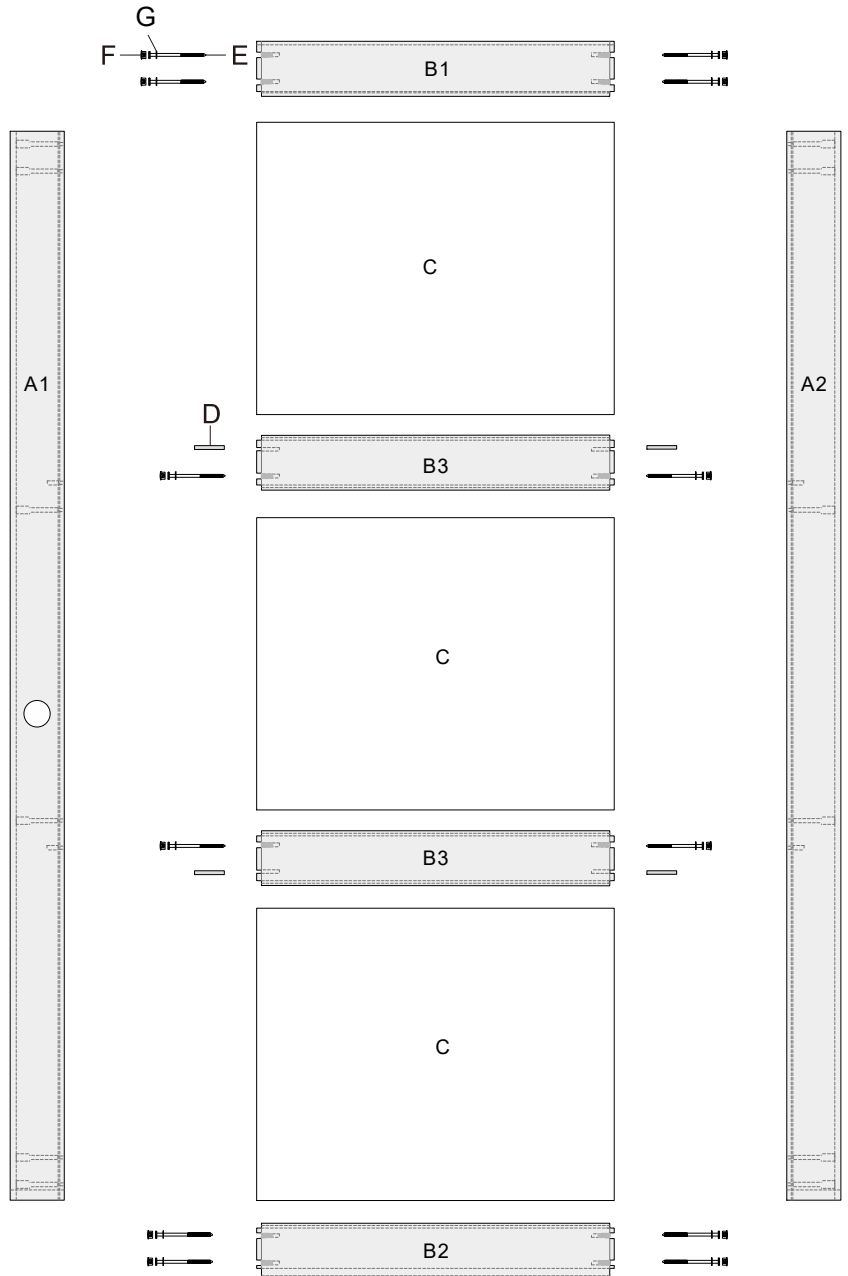
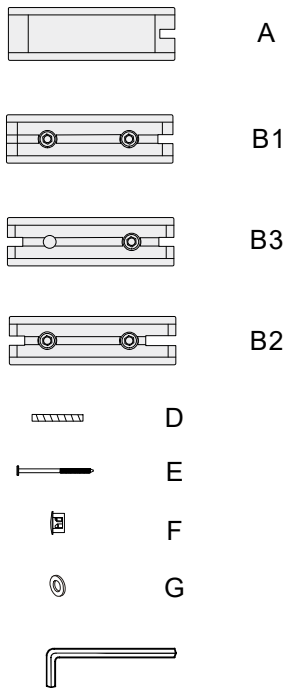
GLASS BARN DOOR Installation Instruction

Left

Package List

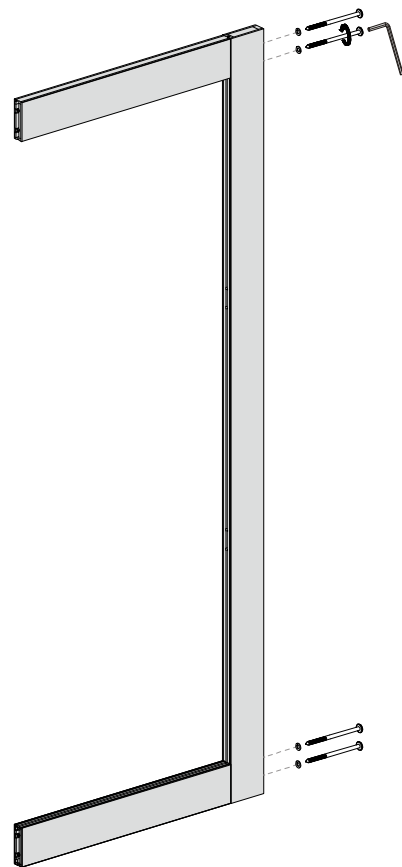
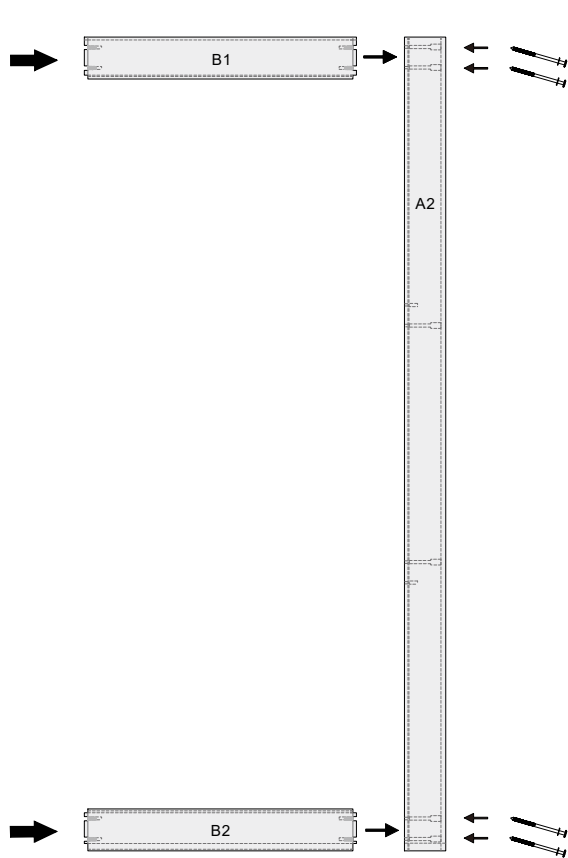
A1A2	Side Stile	*2
B1	Top Rail	*1
B2	Bottom Rail	*1
B3	Middle Rail	*2
C	Tempered Glass Panel	*3
D	Wood Plug	*4
E	Carriage Bolt	*12
F	Plastic Cap	*12
G	Washer	*12
	Spanner	*1

Stile and Slat End Views



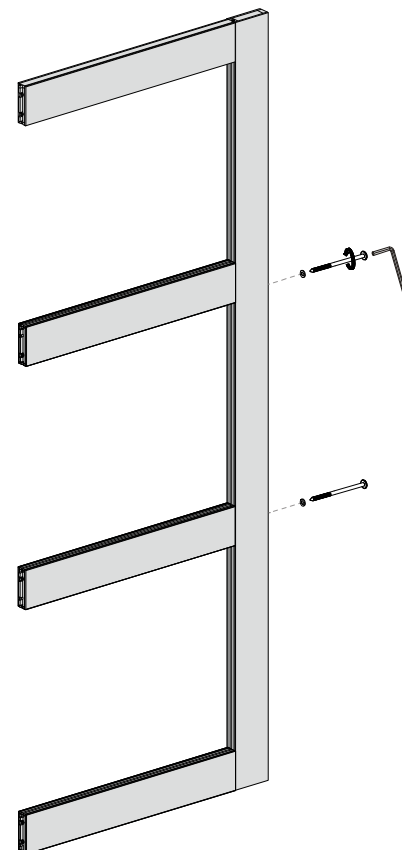
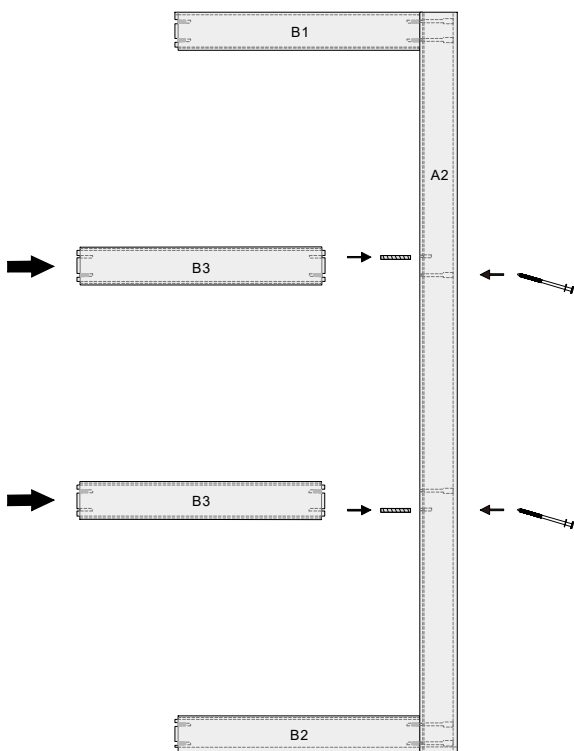
Step 1.

Attach **B1 Top Rail** to one **Side Stile A2** using two carriage bolts .
Then attach **B2 Bottom Rail** using two carriage bolts.



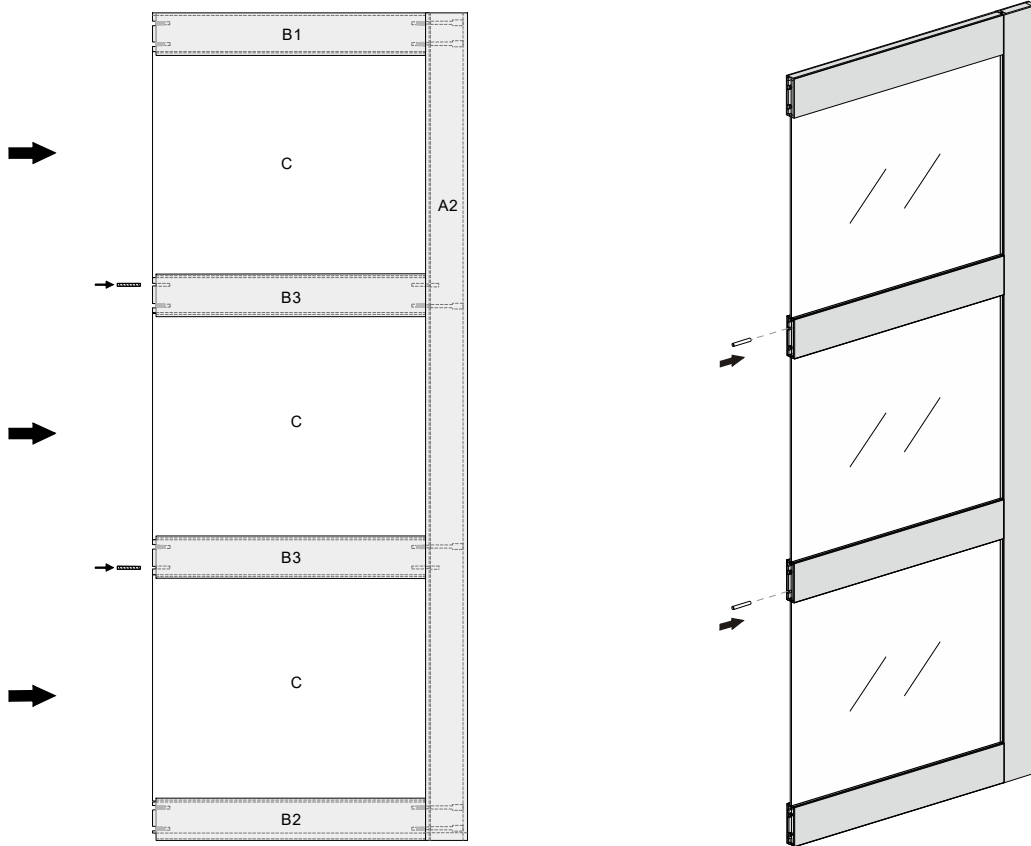
Step 2.

Connect each **Rail B3** to **Side Stile A2** using one **wood plug** and one **carriage bolt**.
Make sure each **Rail** of **B1,B2** and **B3** tightly connected with **A2**.



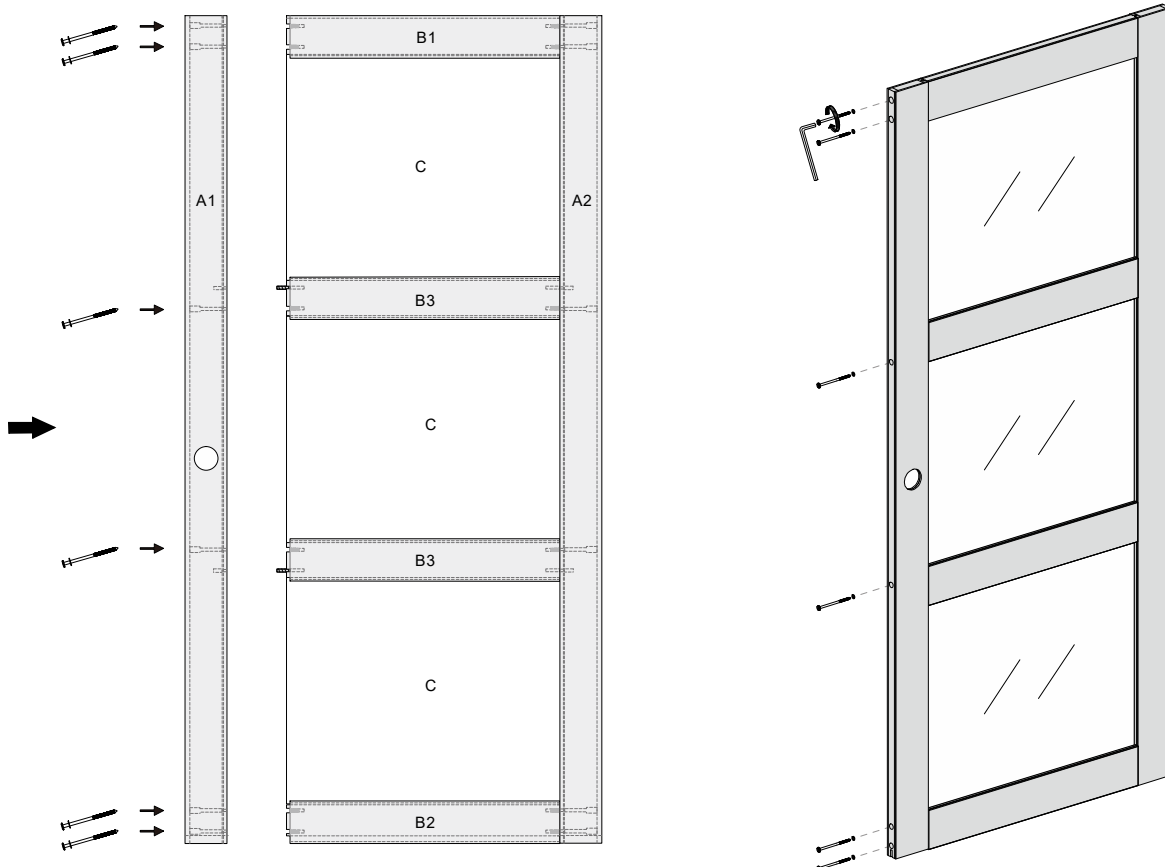
Step 3.

Gently slide three **C tempered glass panels** into **Side Stile A2** groove.
Then insert 1 wood plug into each left side of **Rail B3**.



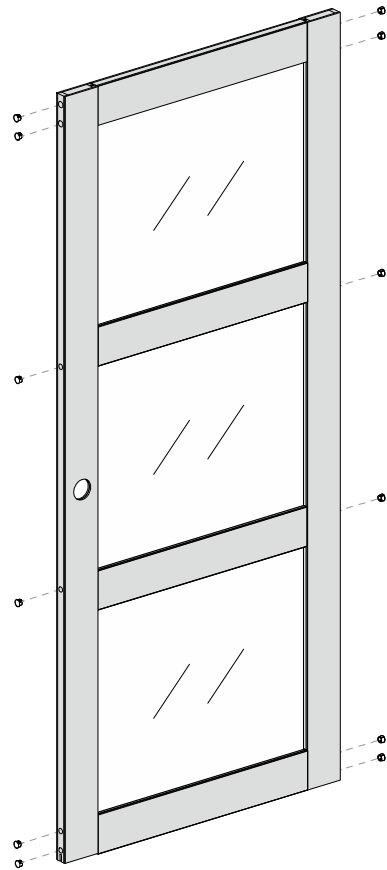
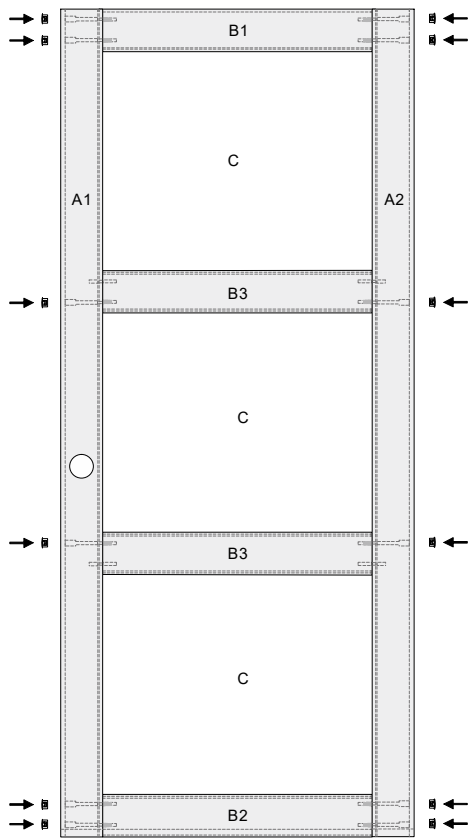
Step 4.

Align **Side Stile A1** holes with wood plugs and make sure all the tempered glass align with stile's groove.
Fasten Side **Stile A1** with **Rail B1,B2 and B3** using carriage bolts.



Step 5.

Make sure all bolts are tightened, place **F Plastic Caps** on top of the bolts and flush with Side Stile surface.

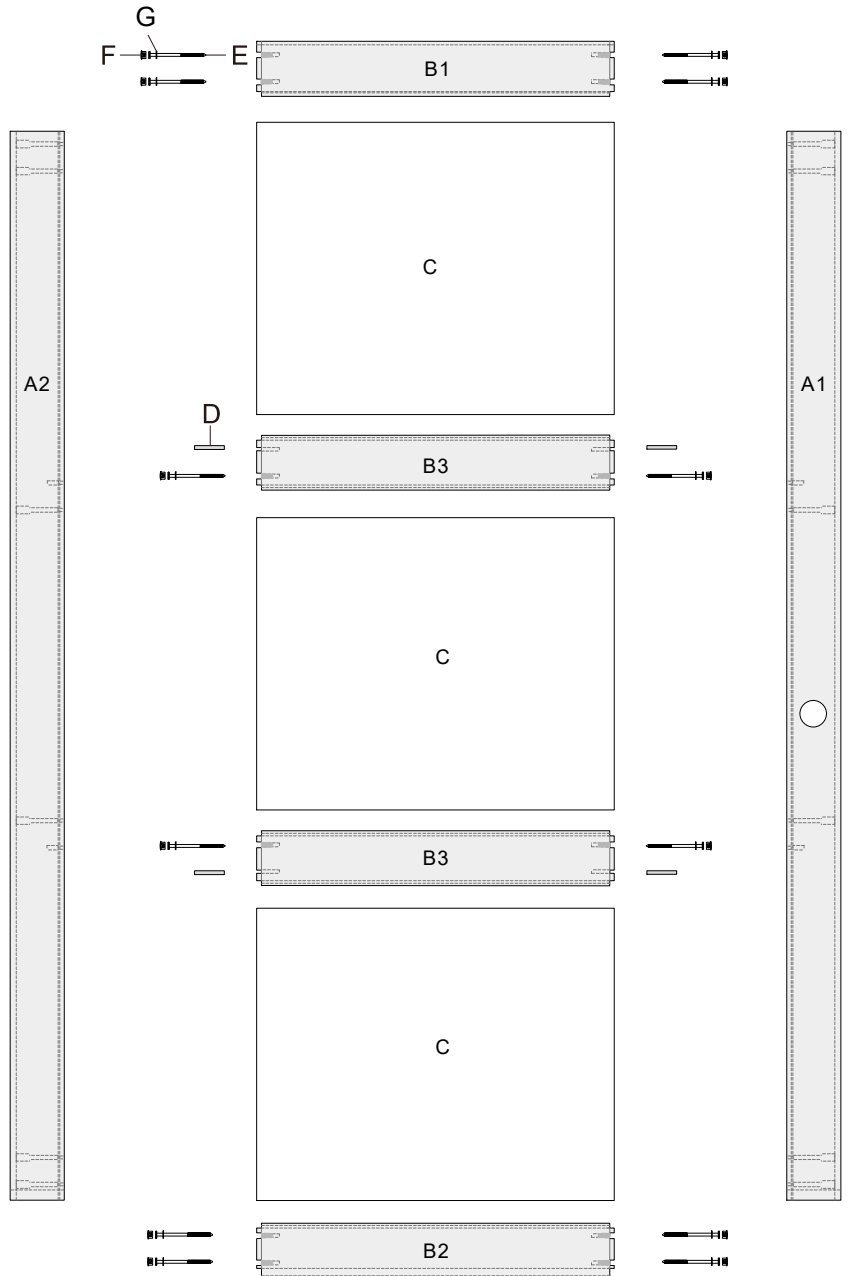
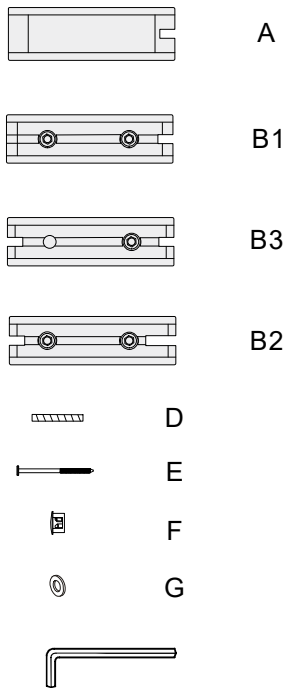


Right

Package List

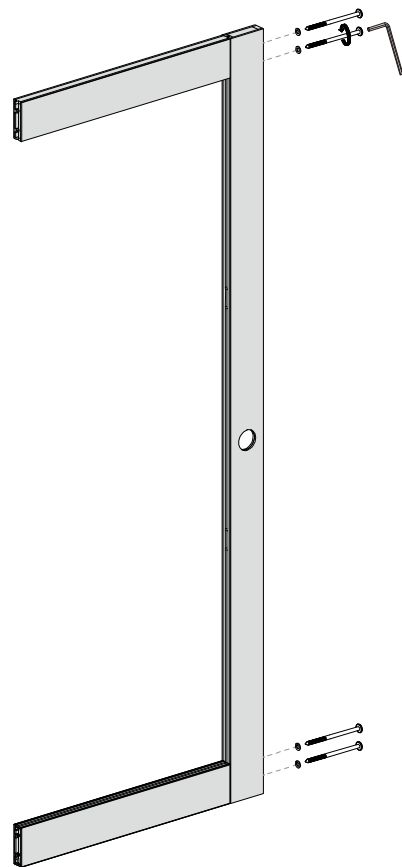
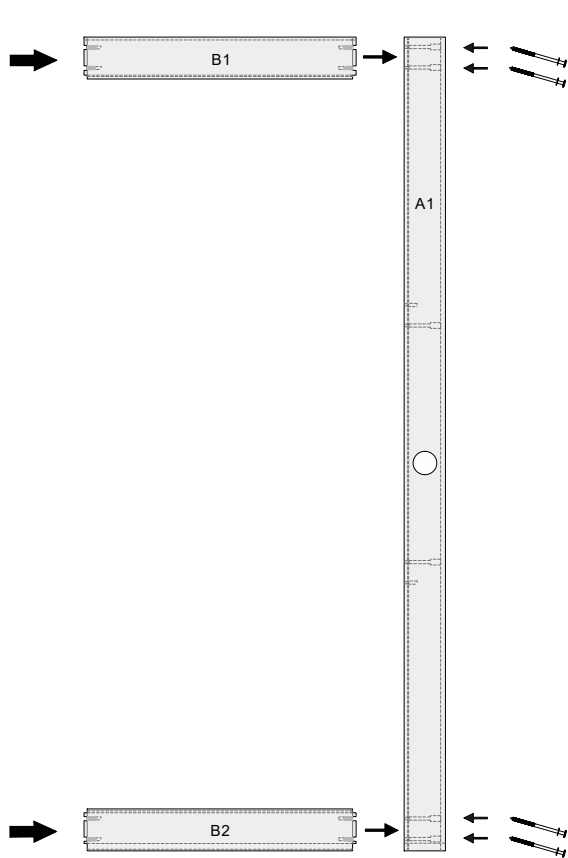
A1A2	Side Stile	*2
B1	Top Rail	*1
B2	Bottom Rail	*1
B3	Middle Rail	*2
C	Tempered Glass Panel	*3
D	Wood Plug	*4
E	Carriage Bolt	*12
F	Plastic Cap	*12
G	Washer	*12
	Spanner	*1

Stile and Slat End Views



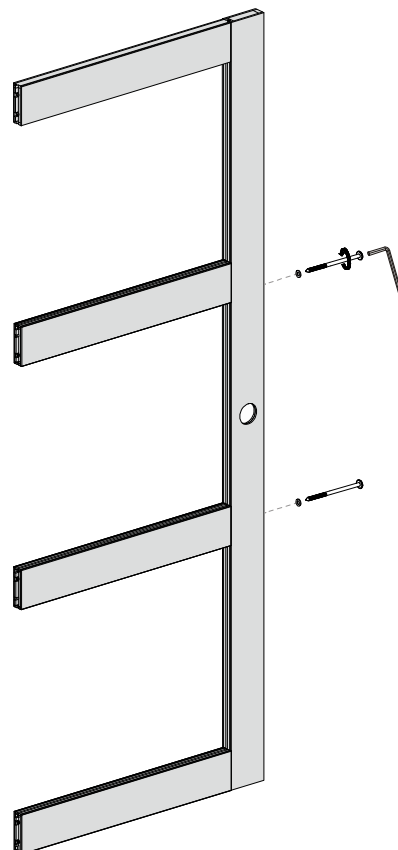
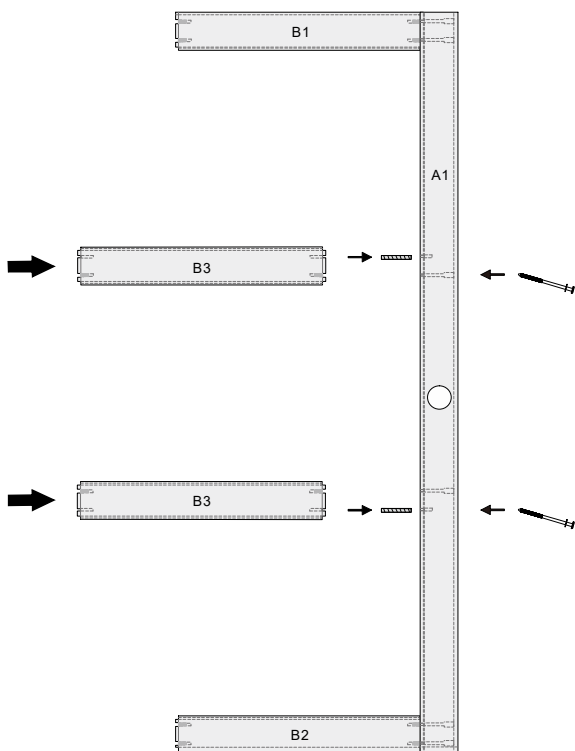
Step 1.

Attach **B1 Top Rail** to one **Side Stile A1** using two carriage bolts .
Then attach **B2 Bottom Rail** using two carriage bolts.



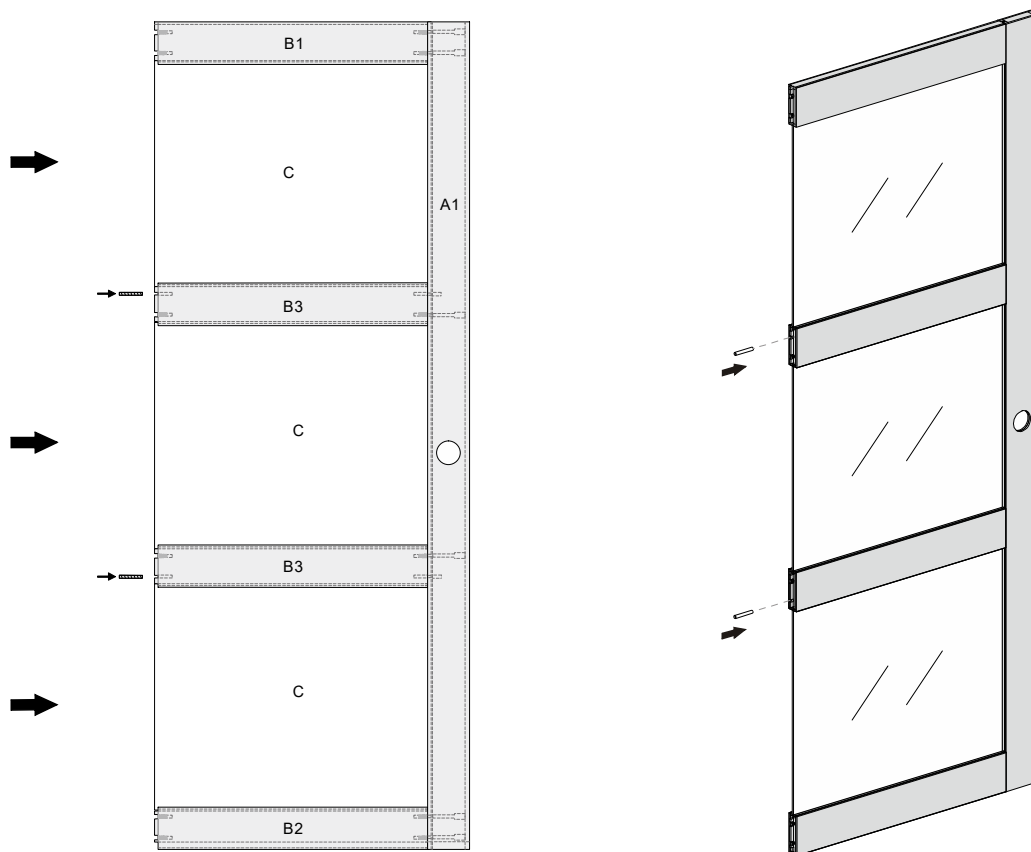
Step 2.

Connect each **Rail B3** to **Side Stile A1** using one **wood plug** and one **carriage bolt**.
Make sure each **Rail of B1,B2 and B3** tightly connected with **A1**.



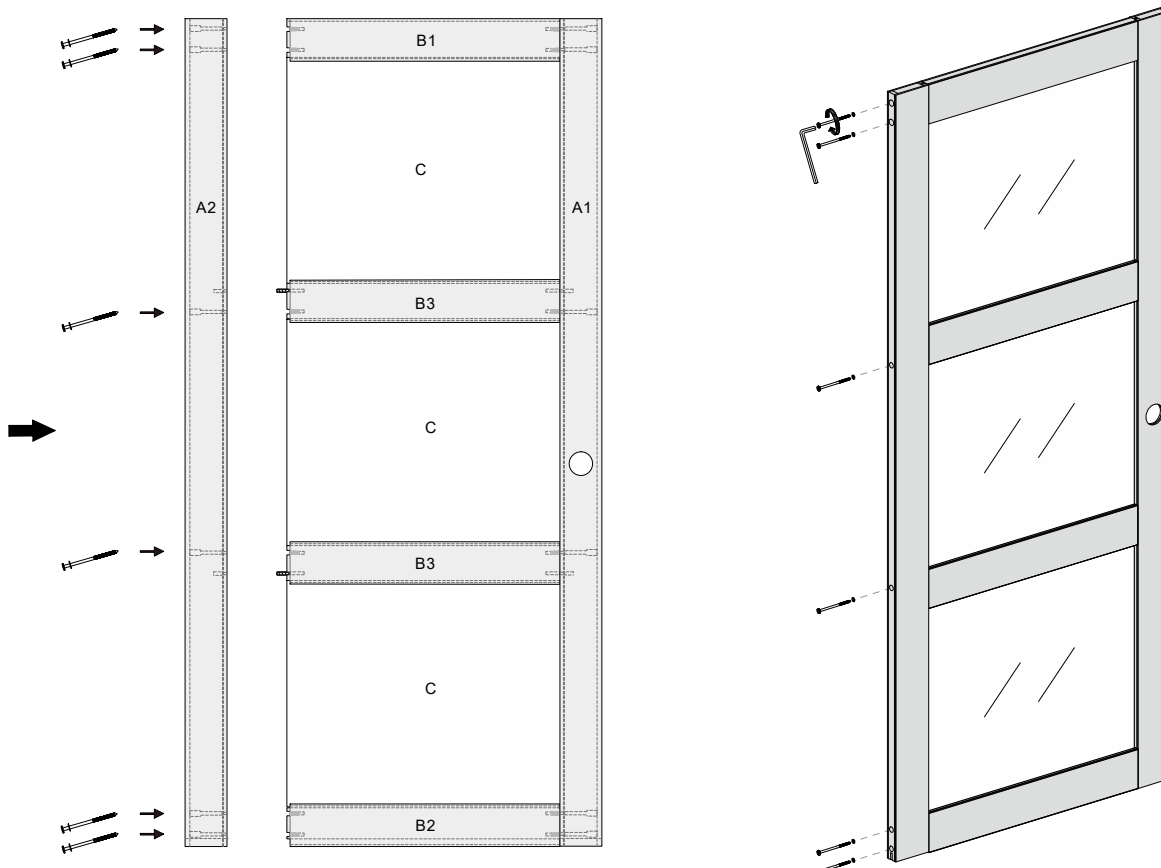
Step 3.

Gently slide three **C tempered glass panels** into **Side Stile A1** groove.
Then insert 1 wood plug into each left side of **Rail B3**.



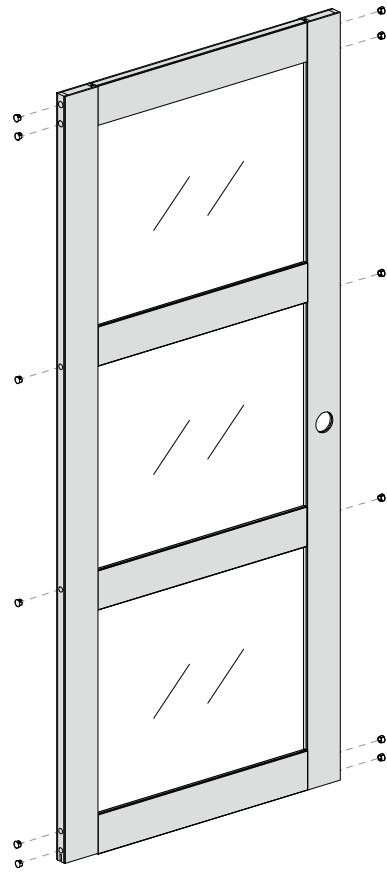
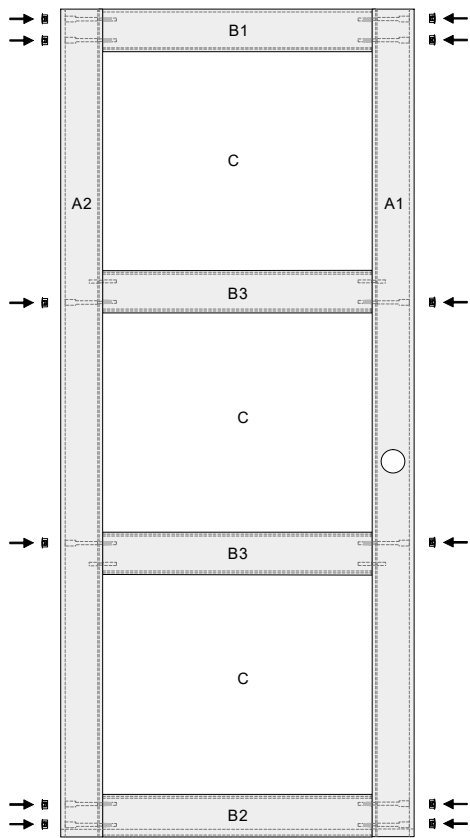
Step 4.

Align **Side Stile A2** holes with wood plugs and make sure all the tempered glass align with stile's groove.
Fasten Side **Stile A2** with **Rail B1, B2 and B3** using carriage bolts.

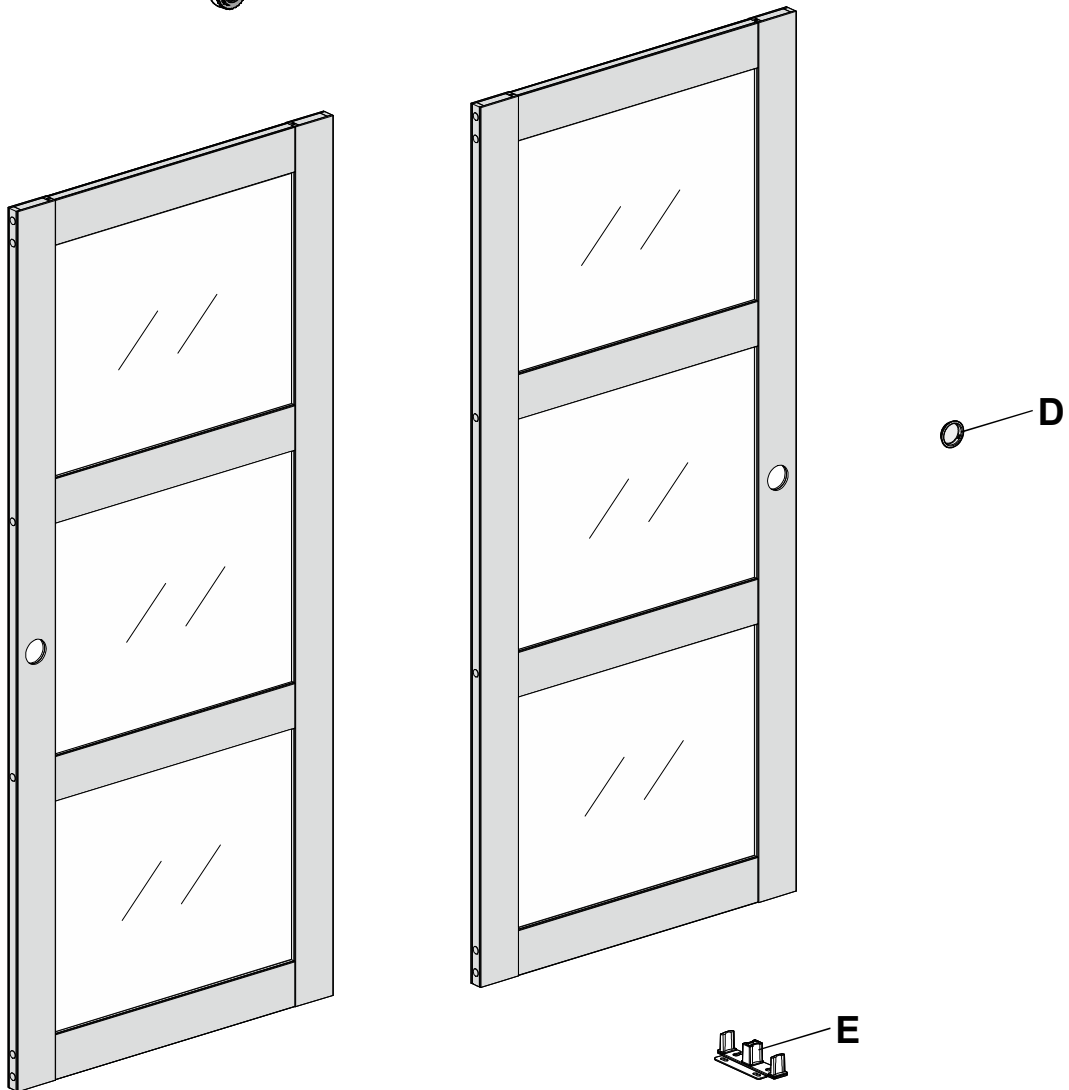
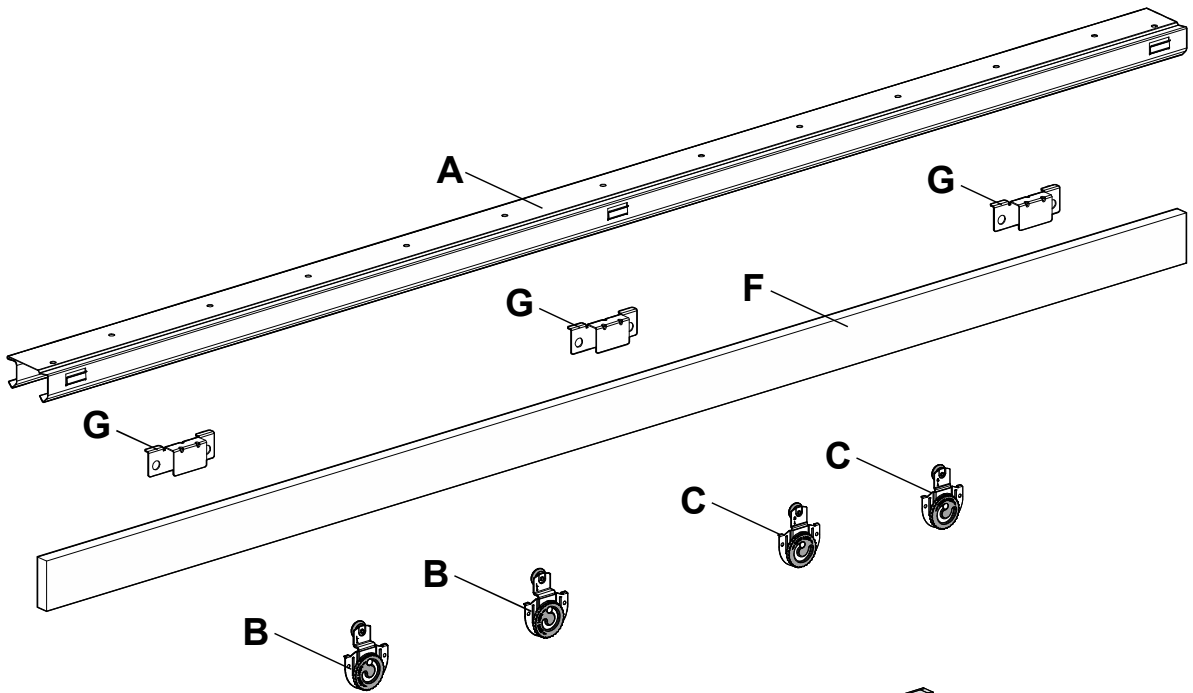


Step 5.

Make sure all bolts are tightened, place **F Plastic Caps** on top of the bolts and flush with Side Stile surface.

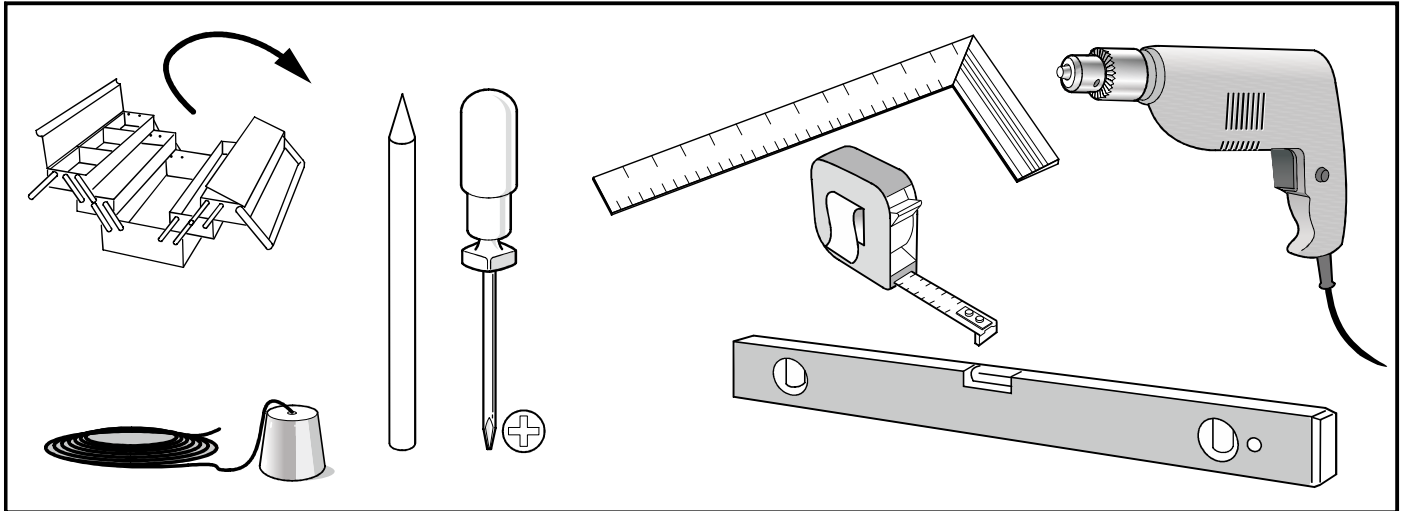


Components list



PRE-INSTALLATION

TOOLS REQUIRED



HARDWARE INCLUDED

A

ST4.2x32 (x1)

Track Length	Screw Quantity
48"	(x9)
60"	(x11)
72"	(x13)
96"	(x16)

B

ST4.2x16(x4) (x2)

C

ST4.2x16(x4) (x2)

D

(x2) (x4)

E

(x1) ST4.2x19(x2)

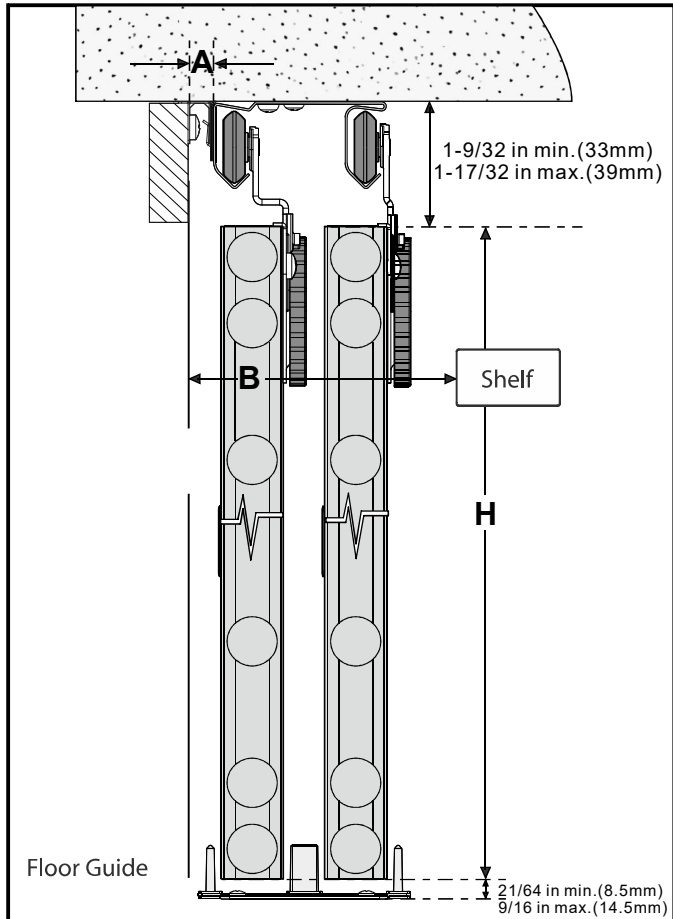
F

(x1)

G

(x3) (x6)

To provide feedback on a particular part, please mark it by circling in the instruction manual and kindly send us a photo.

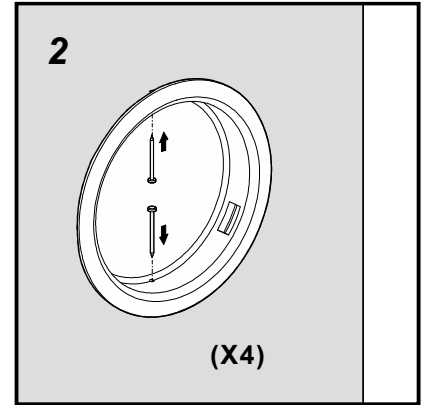
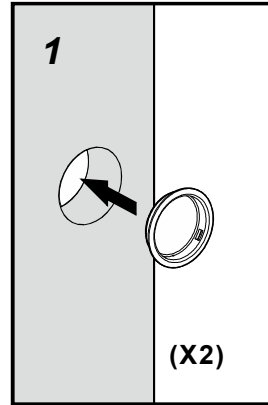


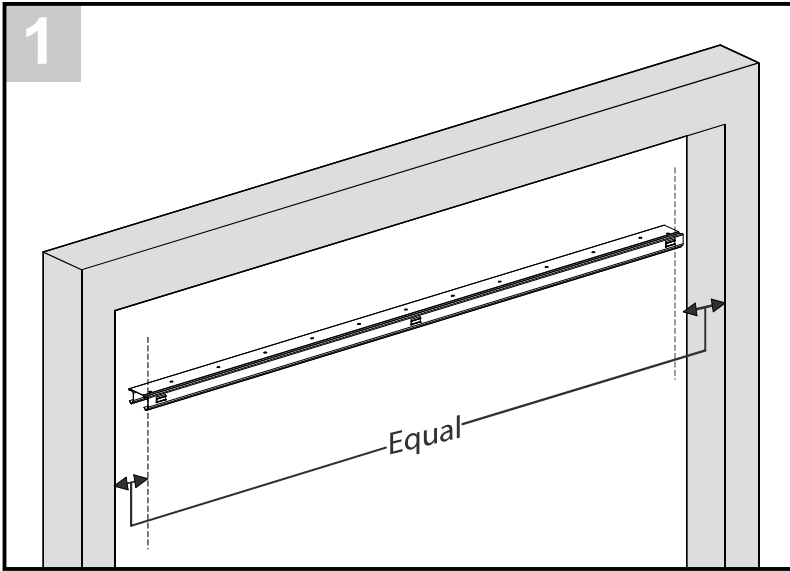
Door Thickness	7/8 in
Dimension A	9/32 in 7mm
Dimension B	3-1/32 in 7,7 cm

TRACK LOCATION

Depending on door thickness, the track should be installed a certain distance from the header (Dimension A). Door thickness is 7/8 in, install track 7/32 in from header. Based on where the track is installed, the doors will protrude back into the closet at certain distance. This distance is labeled as Dimension B, it is a result of where the track is installed or Dimension A.

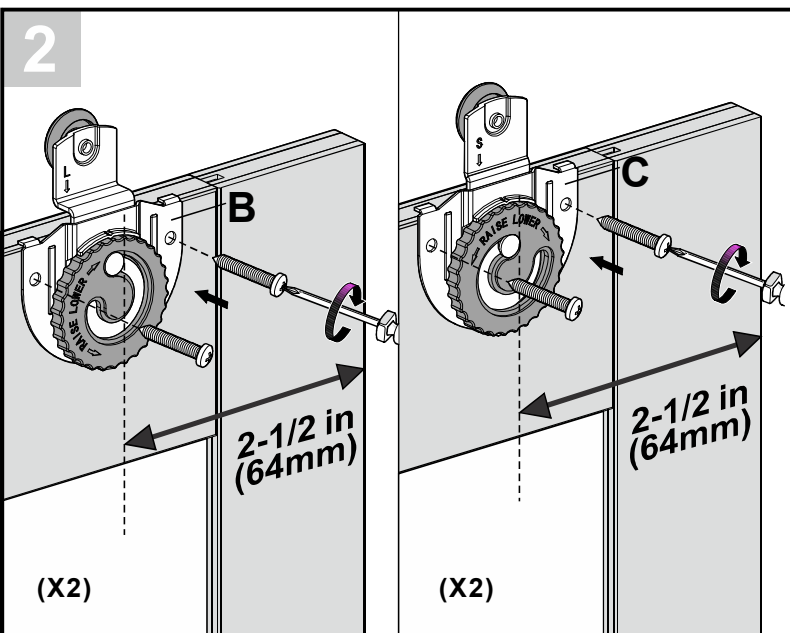
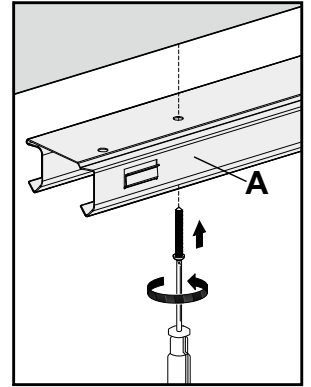
INSTALLATION OF DOOR PULLS





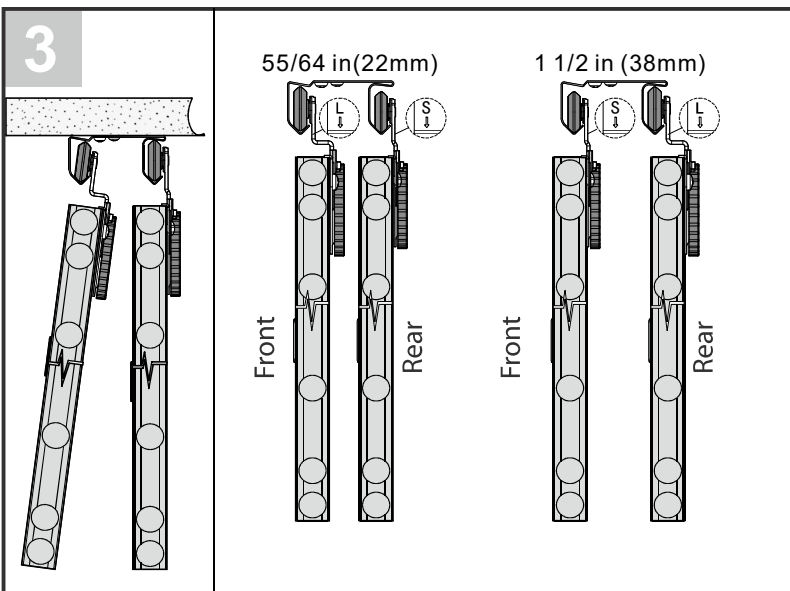
INSTALL TRACK

Place track on door header, centered between both door jambs. Make sure track openings are facing inside of closet. With track as template, mark location of screw holes. Drill $3/32$ in pilot holes to approximate screw length. Using supplied #8 x $1-1/4$ in screws, securely attach track to header.



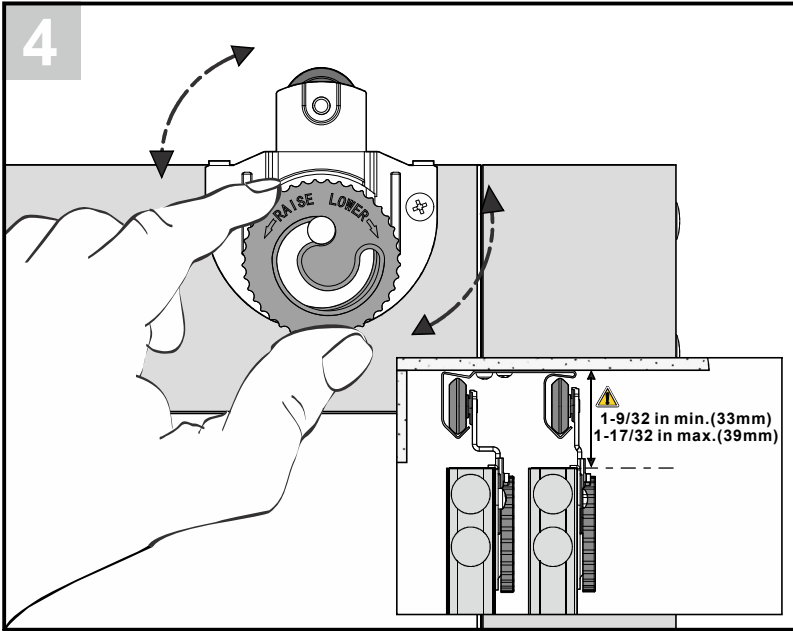
ATTACH DOOR HANGERS

Fasten hangers to top/back of door panel, using supplied #8 x $5/8$ in screws. Dial Adjust Hangers must be $2-1/2$ in from edge of door. Using hanger as template, mark screw hole locations. Drill a $3/32$ in pilot hole to approximate screw length. Securely attach hangers with supplied screws.



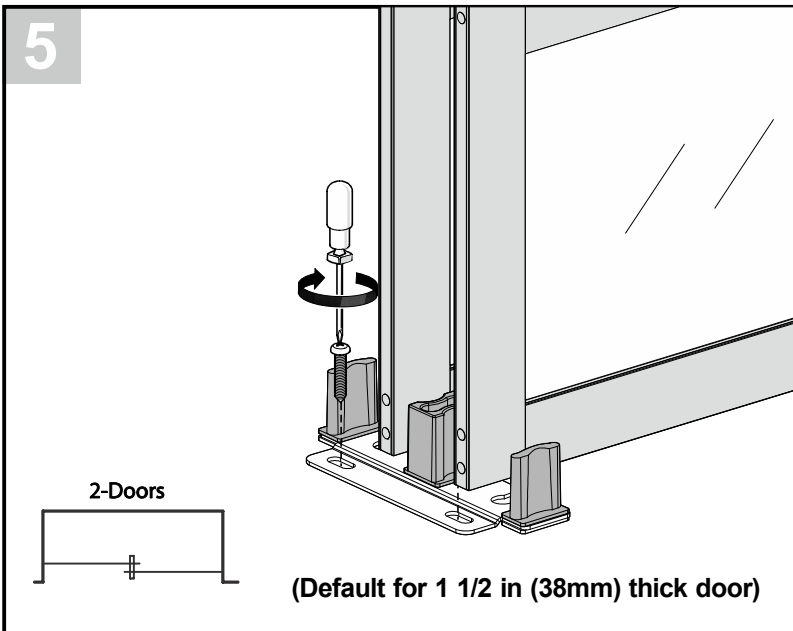
INSTALL DOORS

Hang doors on track. Start with inside (or rear) door first. Door must be positioned at an angle of approximately 15 degrees to engage track. Doors with a width of $55/64$ in require the installation of panel with L hanger first. Doors with a width of $1\ 1/2$ in require the installation of panel with the S hanger first.



DOOR ADJUSTMENT/DIAL ADJUST

Align doors with frame by lifting one side of door, removing weight from hanger. Turn dial until doors are vertically aligned with frame. Release door so that it returns to original position.



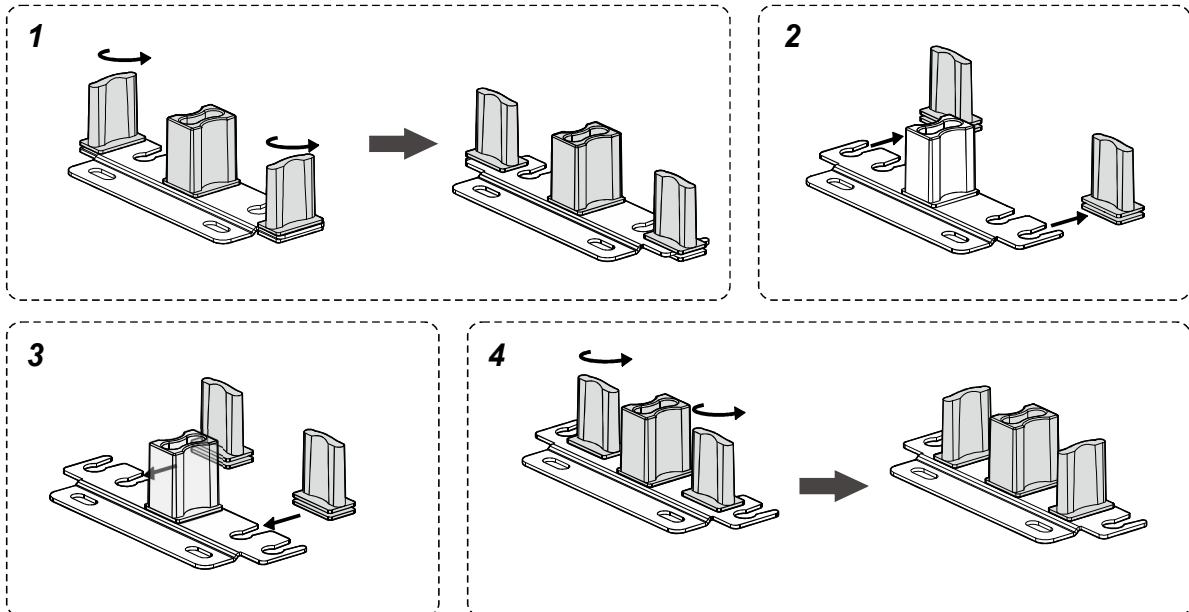
INSTALL DOOR GUIDE

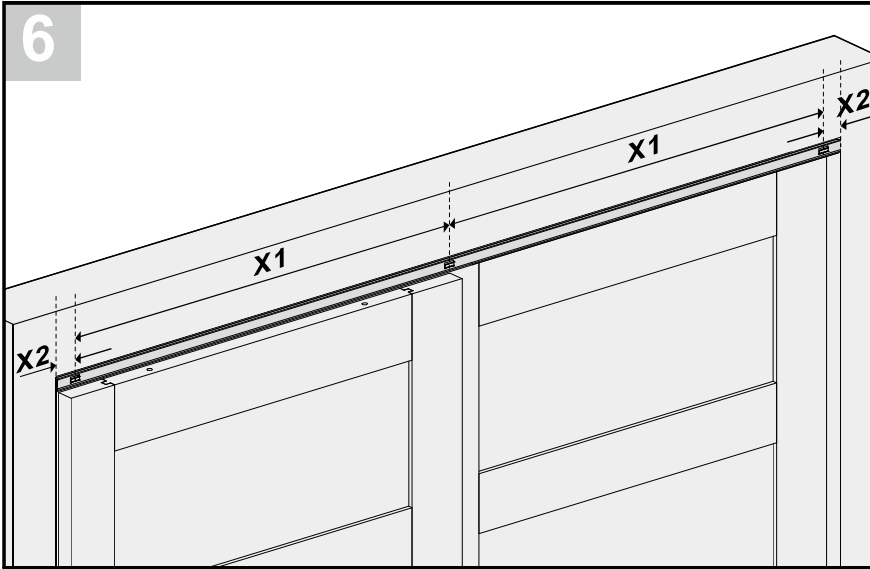
Insert nylon post section into metal plate of door guide, according to thickness of door. Position the guide beneath overlap of doors, as shown. Using supplied #8 x 5/8 in screws, securely fasten guide to floor.

NOTE:

To elevate guide, use a carpet riser as needed.

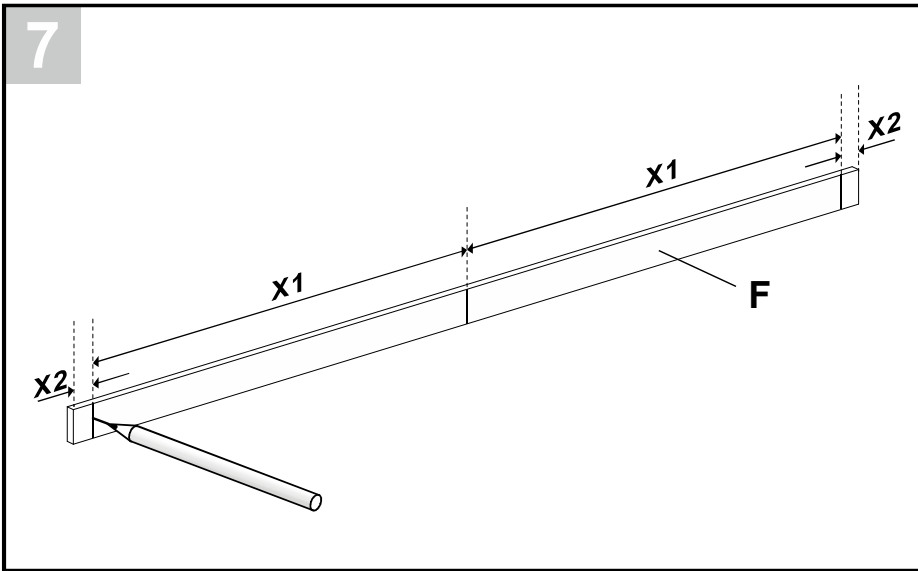
⚠ Floor guide installation instruction for 55/64 in(22mm) thick wood door :





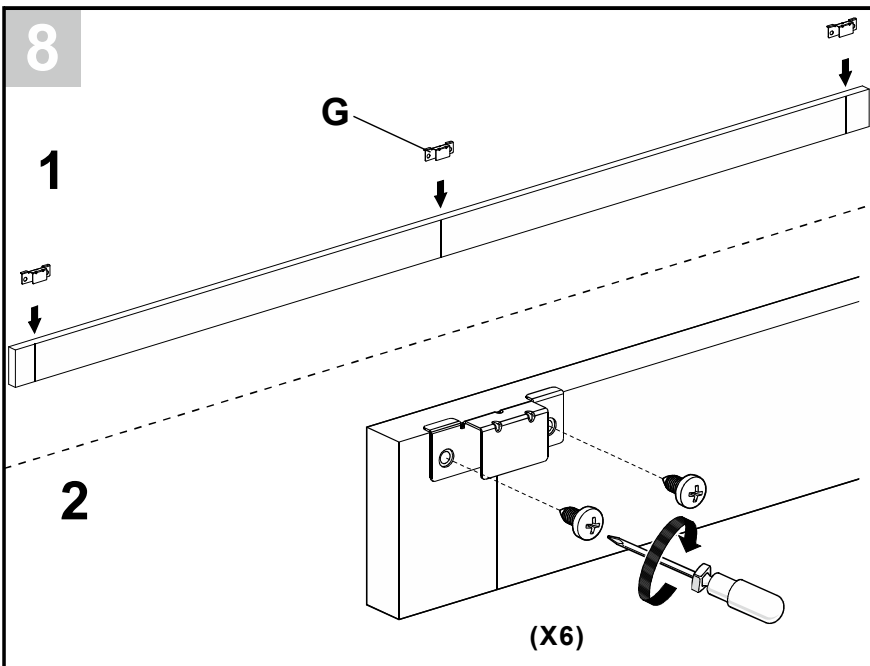
INSTALL FASCIA

Measure distance X1 between side clasp and center clasp on the track.
 Measure distance X2 from track edge and side clasp.



INSTALL FASCIA

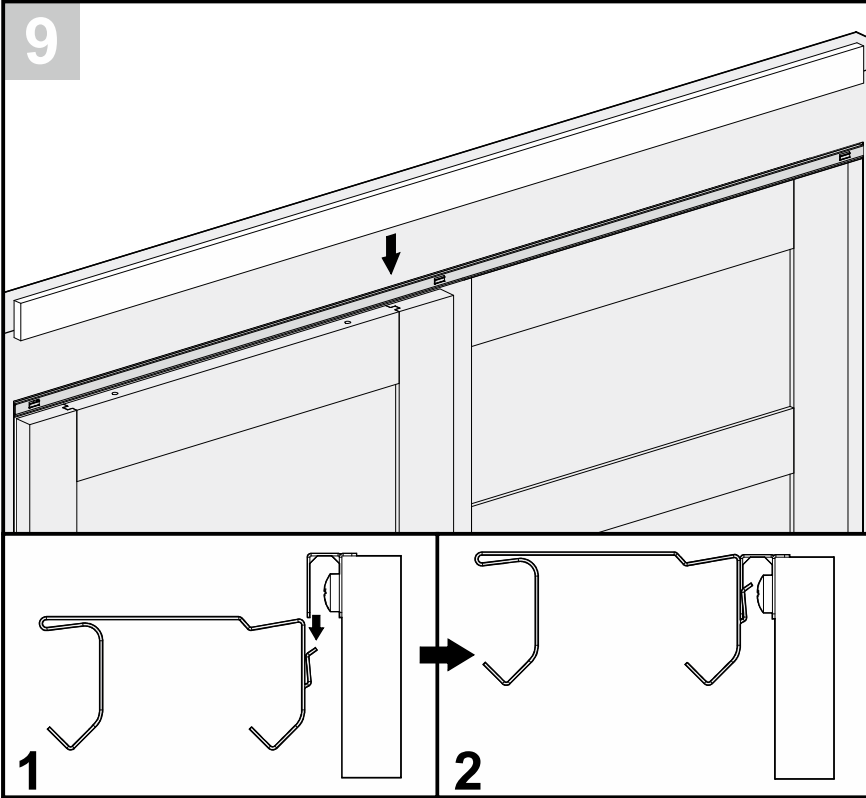
Mark locations on the fascia with pencil using measured figure.



INSTALL FASCIA

Attach clasp connector to fascia use screws and at the center of the mark.

9



INSTALL FASCIA

Attach fascia to the track by connecting fascia clasp connectors and track clasps.