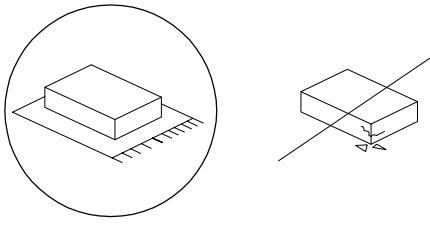
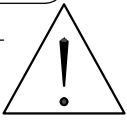

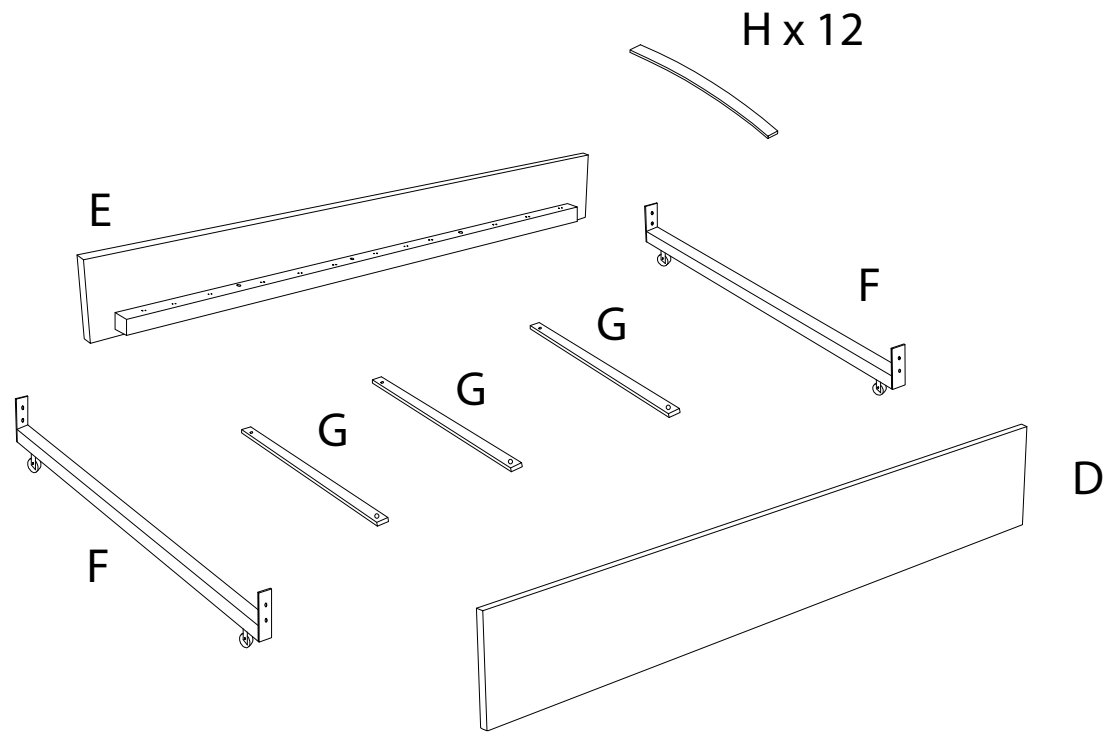
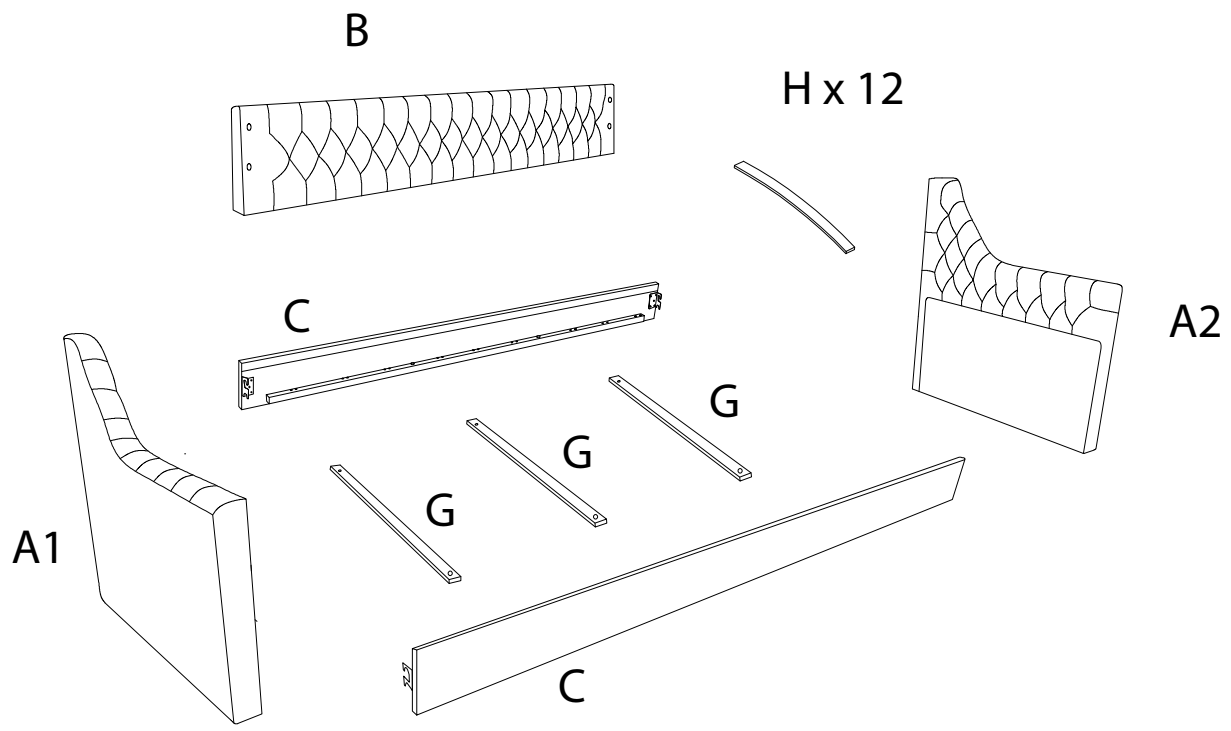
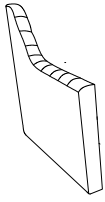

		40'
		
		2

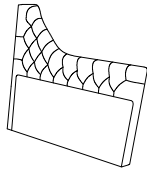


A1



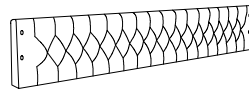
x 1

A2



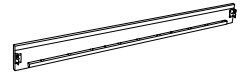
x 1

B



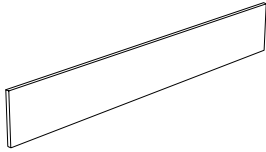
x 1

C



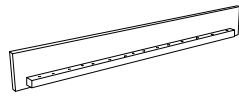
x 2

D



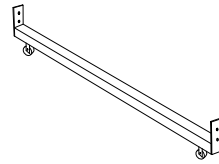
x 1

E



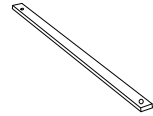
x 1

F



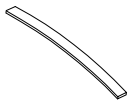
x 2

G



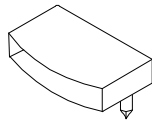
x 6

H



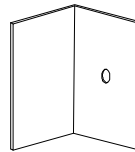
x 24

I



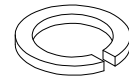
x 48

J



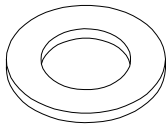
x 2

K



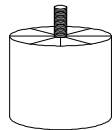
x 32

L



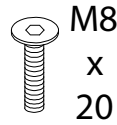
x 32

M



x 4

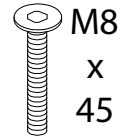
N



M8
x
20

x 18

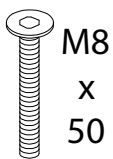
O



M8
x
45

x 12

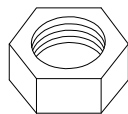
P



M8
x
50

x 4

Q



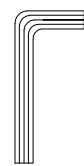
x 12

R



x 1

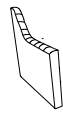
S



x 1

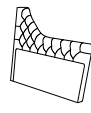
1

A1



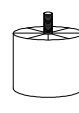
x 1

A2

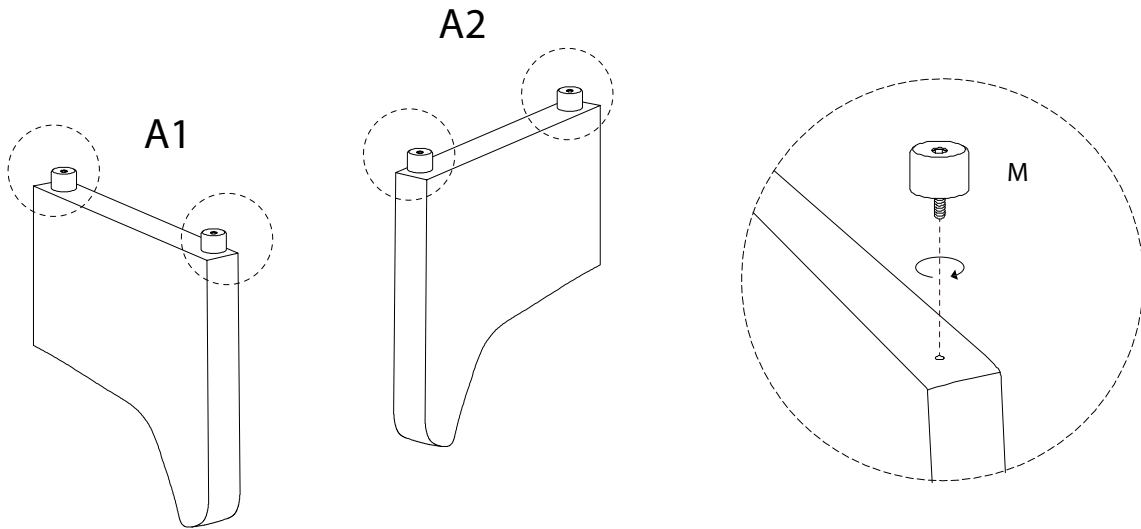


x 1

M



x 4



2

C



x 2

K



x 8

L



x 8

N



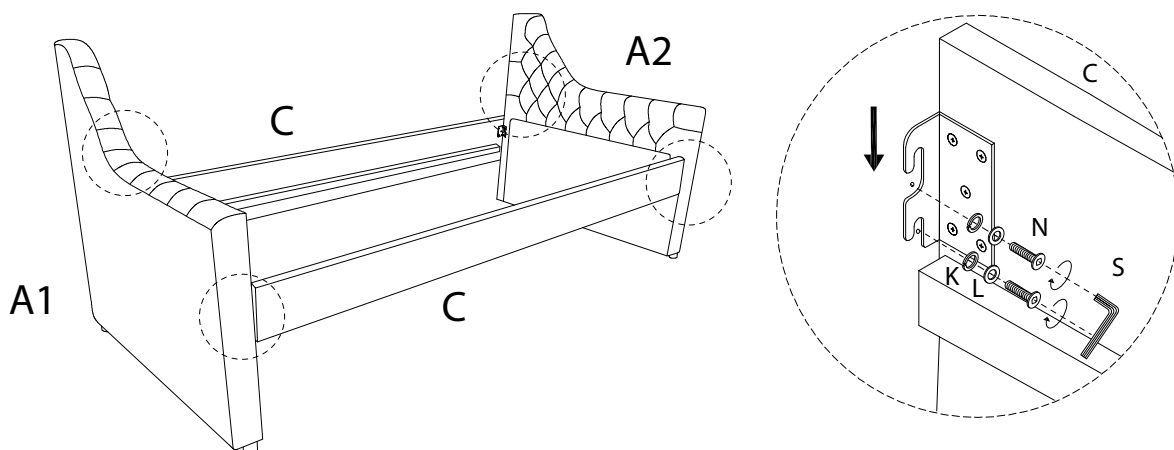
M8
x 20

x 8


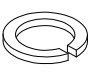
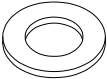
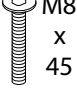
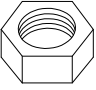


S

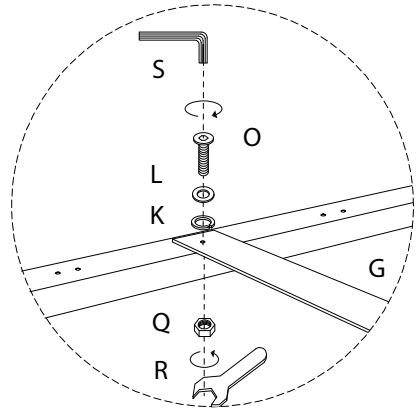
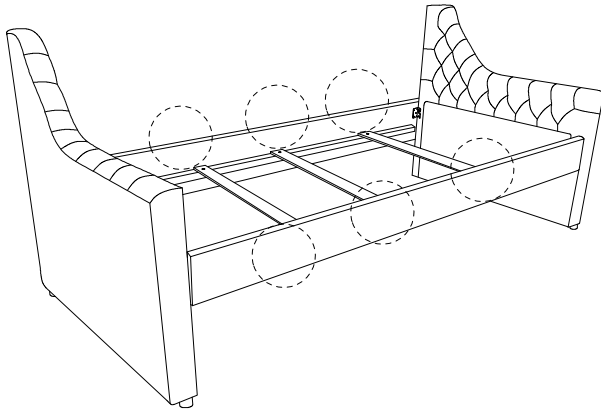


x 1


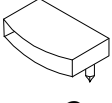


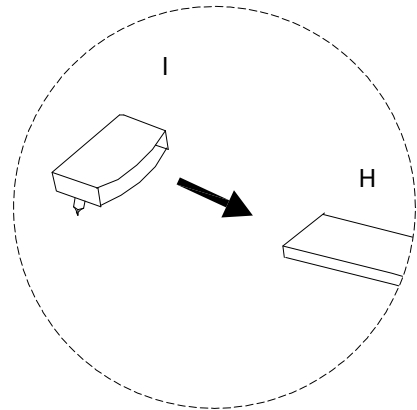
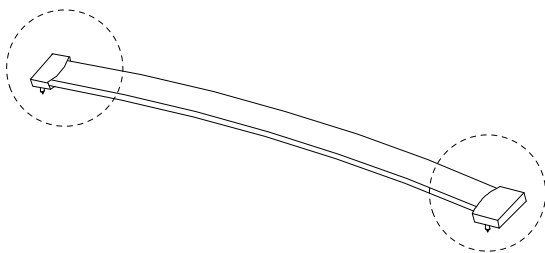
3

G  x3	K  x6	L  x6	O  x6	Q  x6	R  x1	S  x1
---	---	---	---	---	---	---

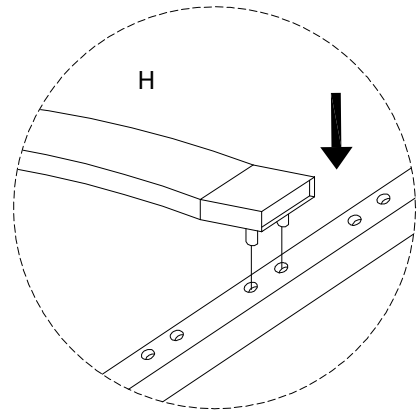
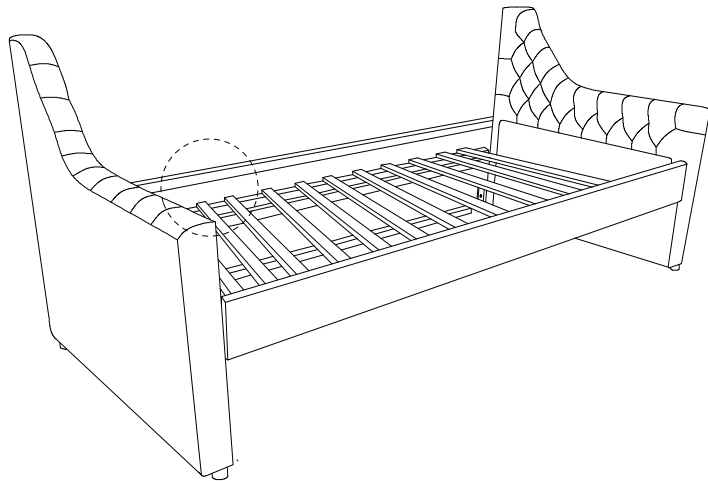


4 x 24

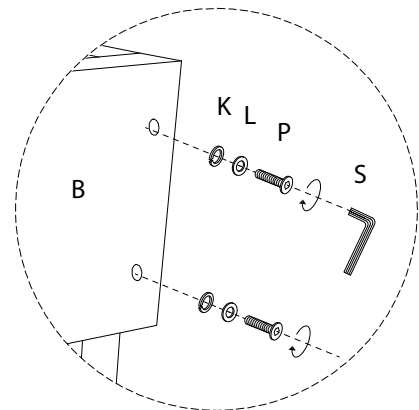
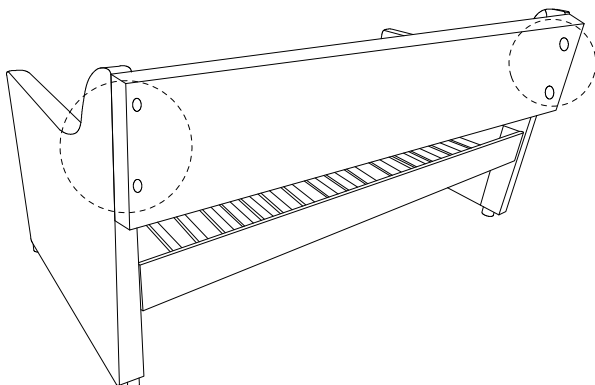
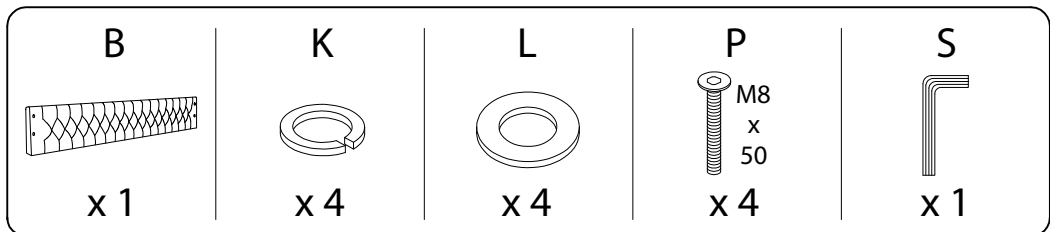
H  x1	I  x2
---	---





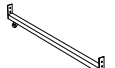
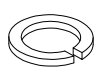


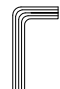
5 x 12

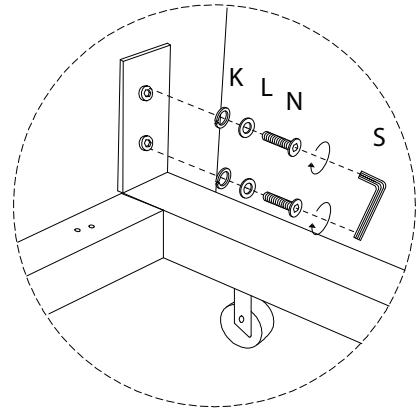
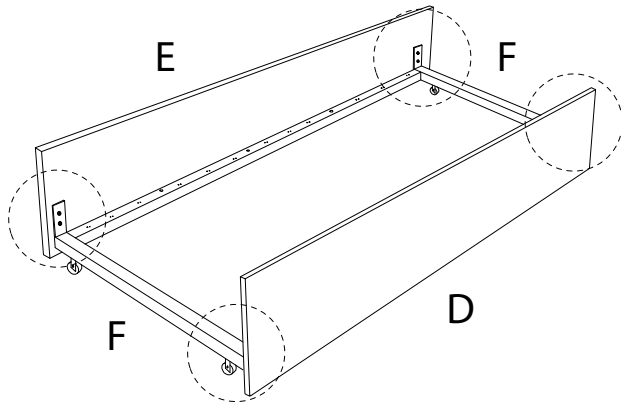


6


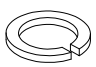




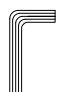


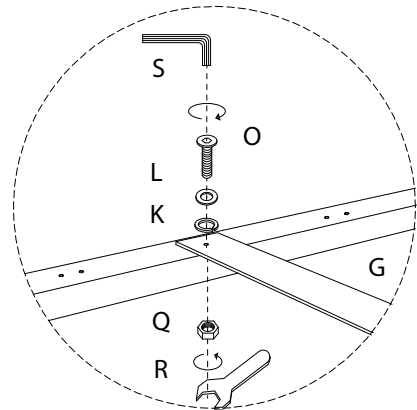
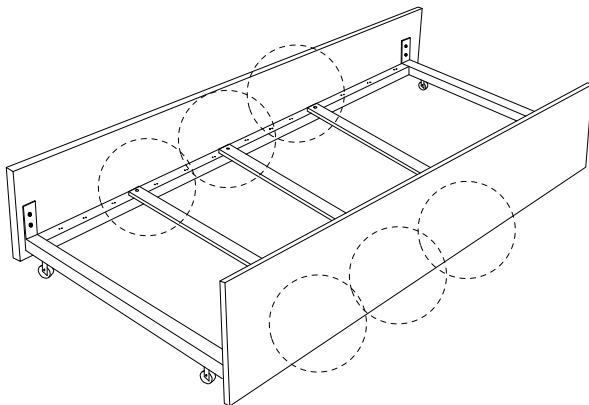
7

D	E	F	K	L	N	S
						
x1	x1	x2	x8	x8	x8	x1

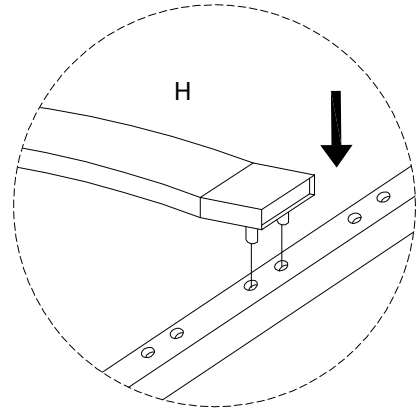
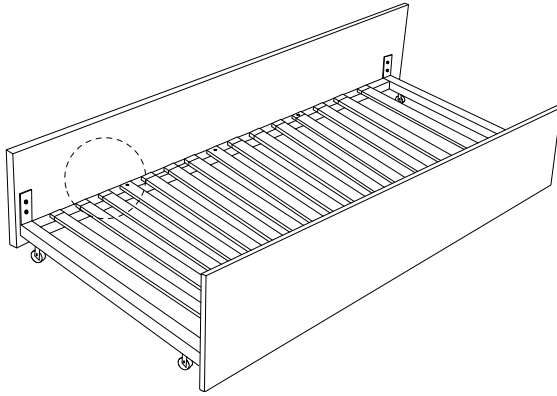


8

G	K	L	O	Q	R	S
						
x3	x6	x6	x6	x6	x1	x1



9 x 12



10

J



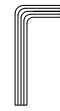
x 2

N

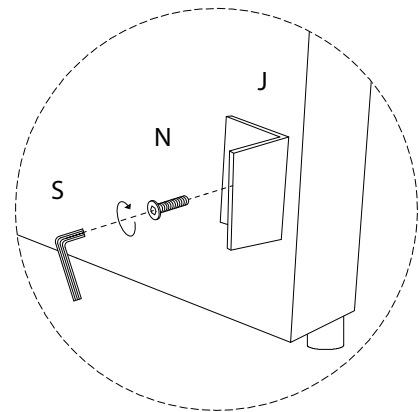
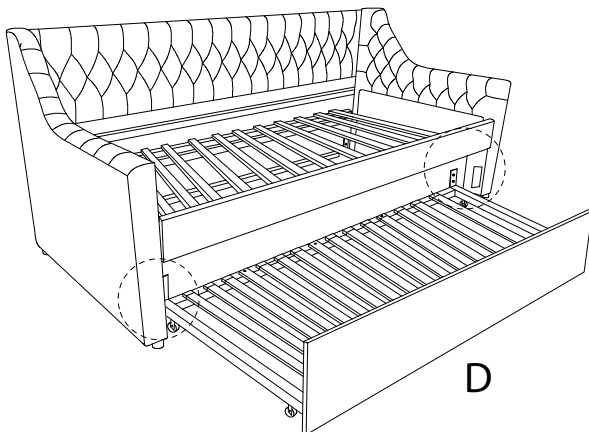


x 2

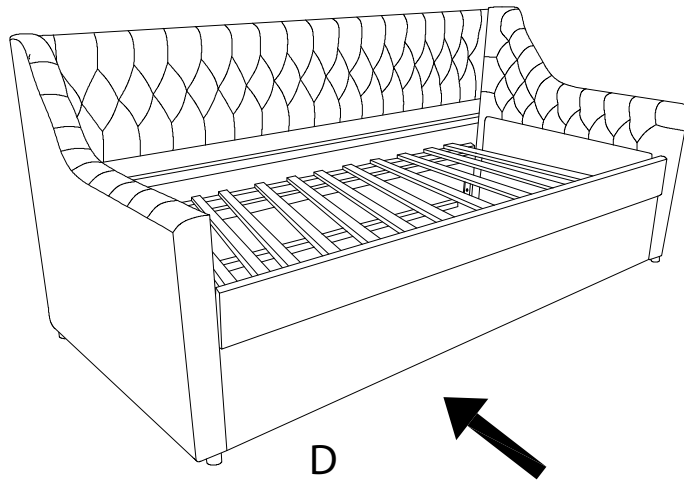
S



x 1



11



12

