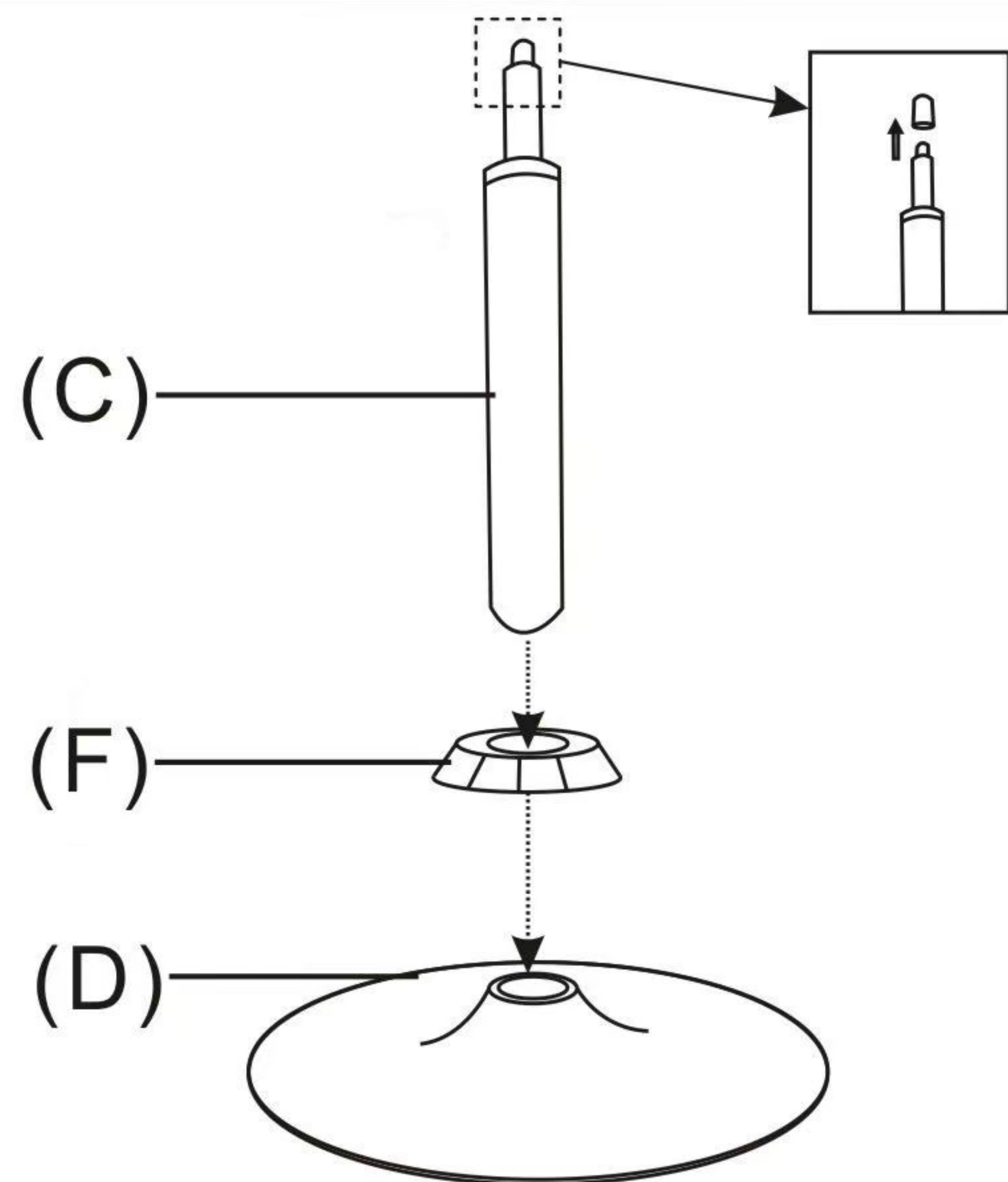


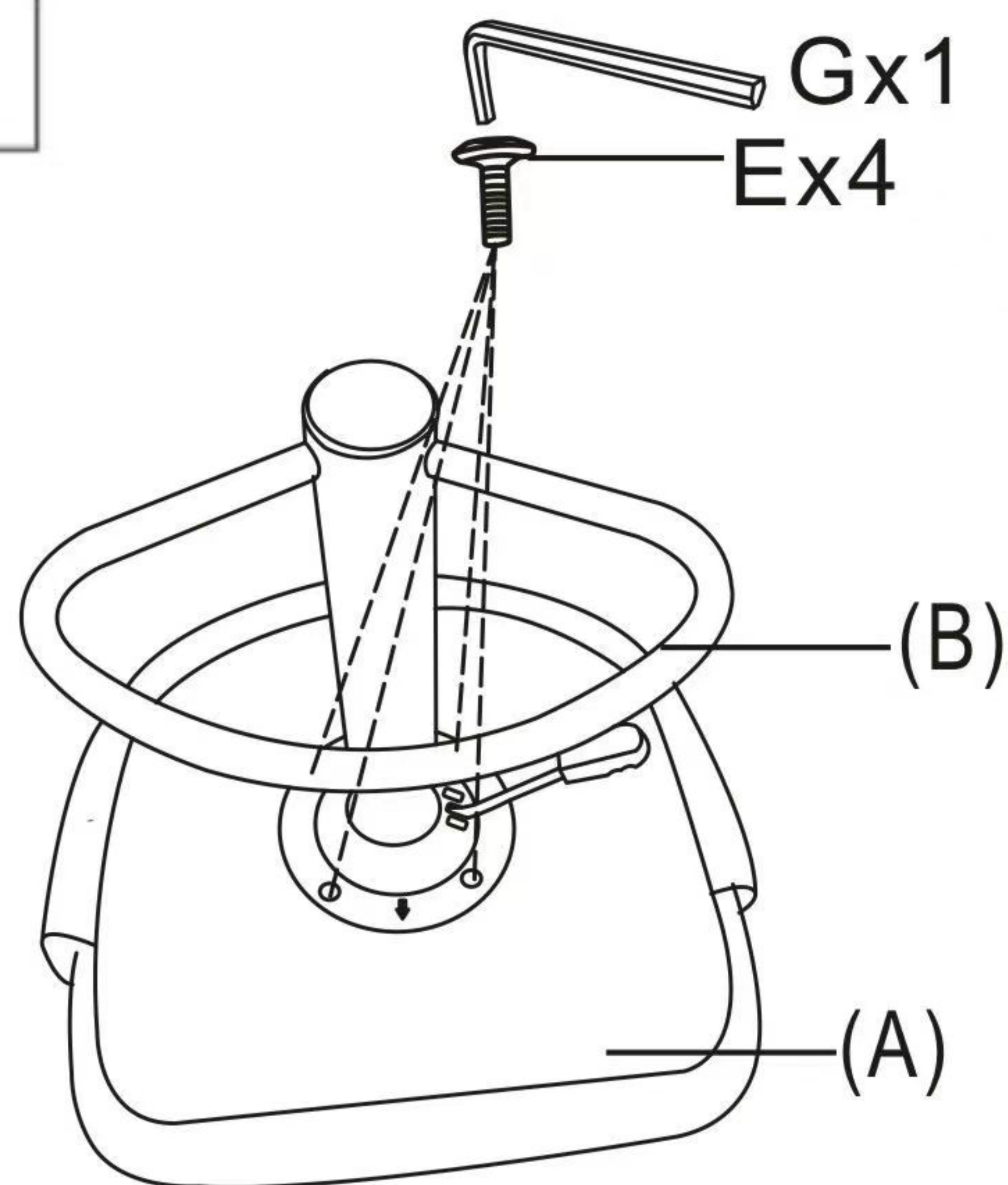
ASSEMBLY INSTRUCTION

ASSEMBLY PROGRAM

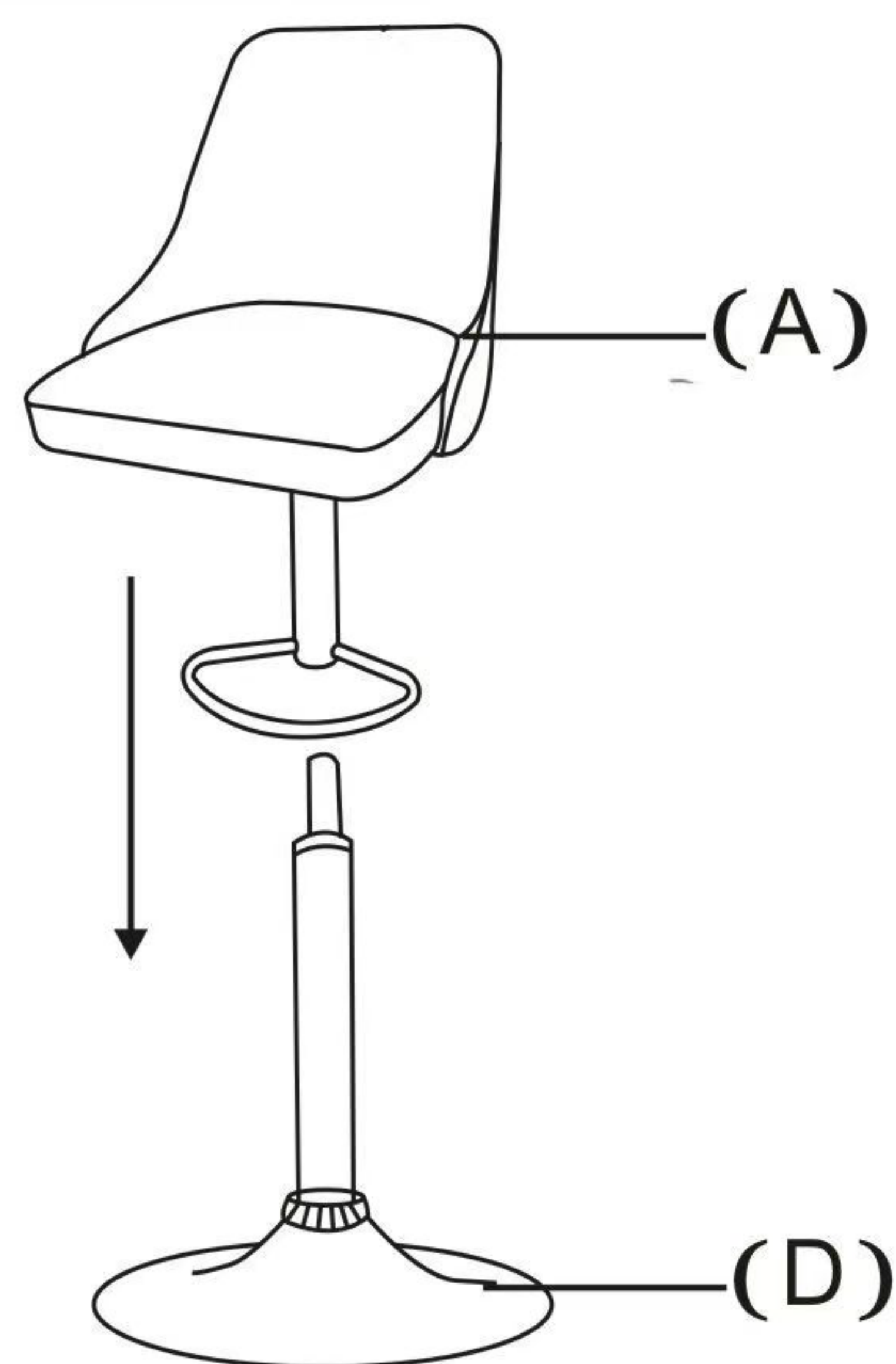
1



2



3



4



▽ PARTSxQTY

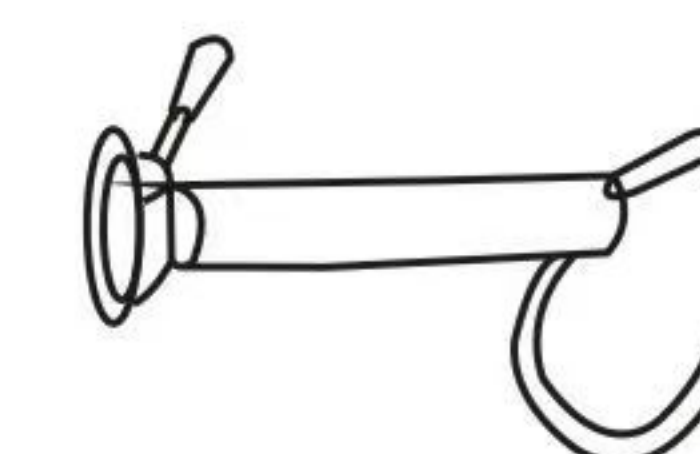
Ax1



Ex4



Bx1



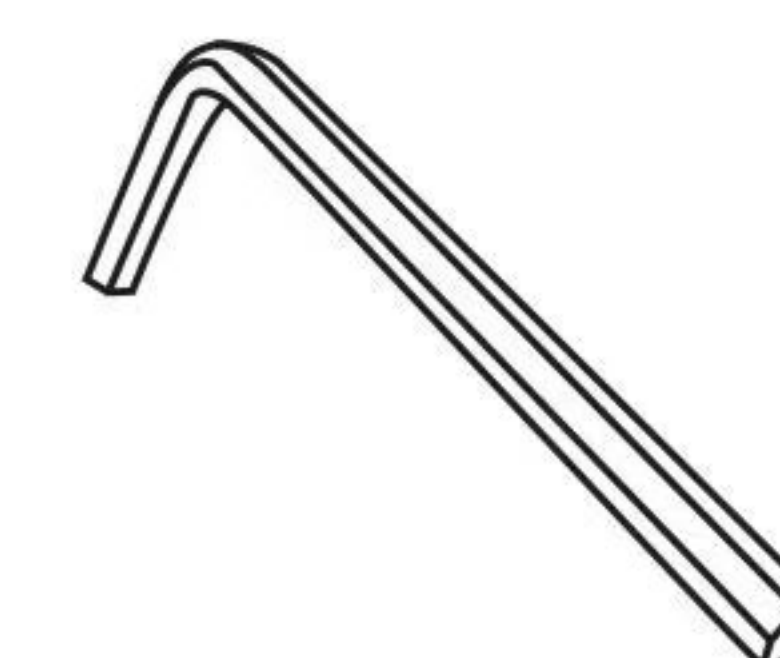
Fx1



Cx1



Gx1



Dx1

