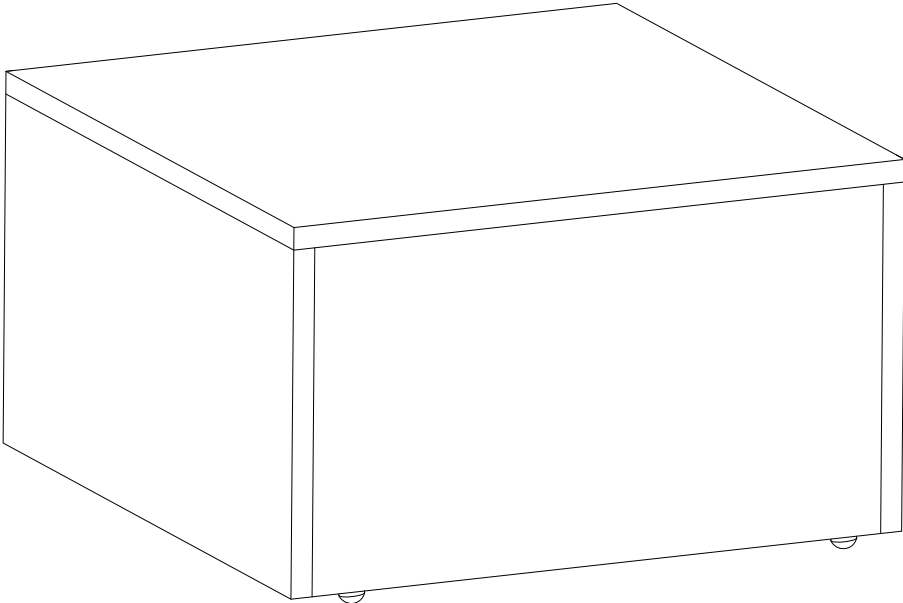


Outdoor Wicker Table

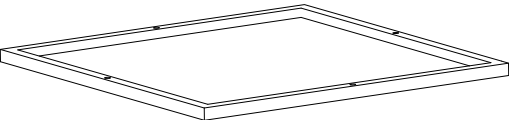
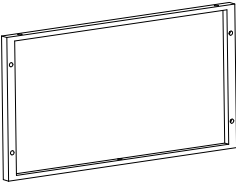
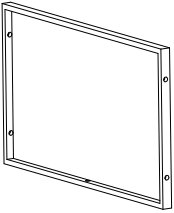


Congratulations!

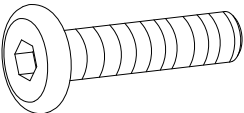
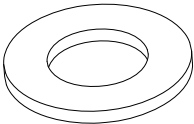
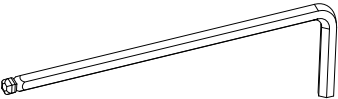
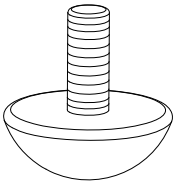
We strived to provide fine furniture products, built with quality materials and hand finished details. Please carefully follow the assembly instructions to ensure your furniture is assembled correctly to provide long lasting enjoyment.

Care: Use a soft, clean cloth that will not scratch the surface when cleaning. The use of solvents is not necessary. Should you choose to use solvents, test in an inconspicuous area first to avoid damaging the finish. TO clean, simply use a soft, clean cloth lightly dampened with water.

PART LIST

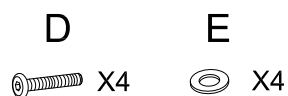
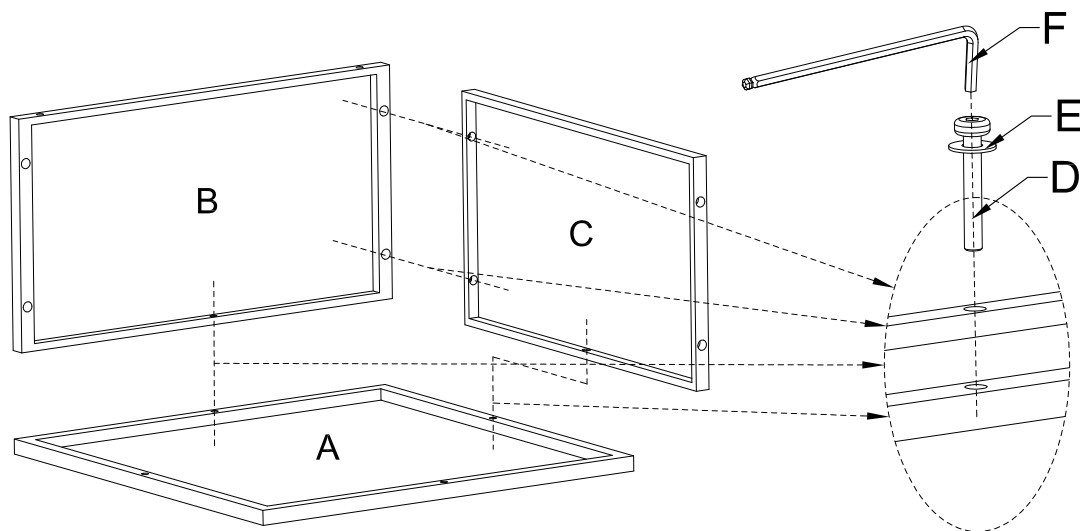
 <p>Wicker Top</p>		 <p>Side Panel</p>	
A	1pc	B	2pcs
 <p>End Panel</p>			
C	2pcs		

HARDWARE LIST

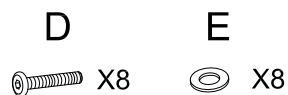
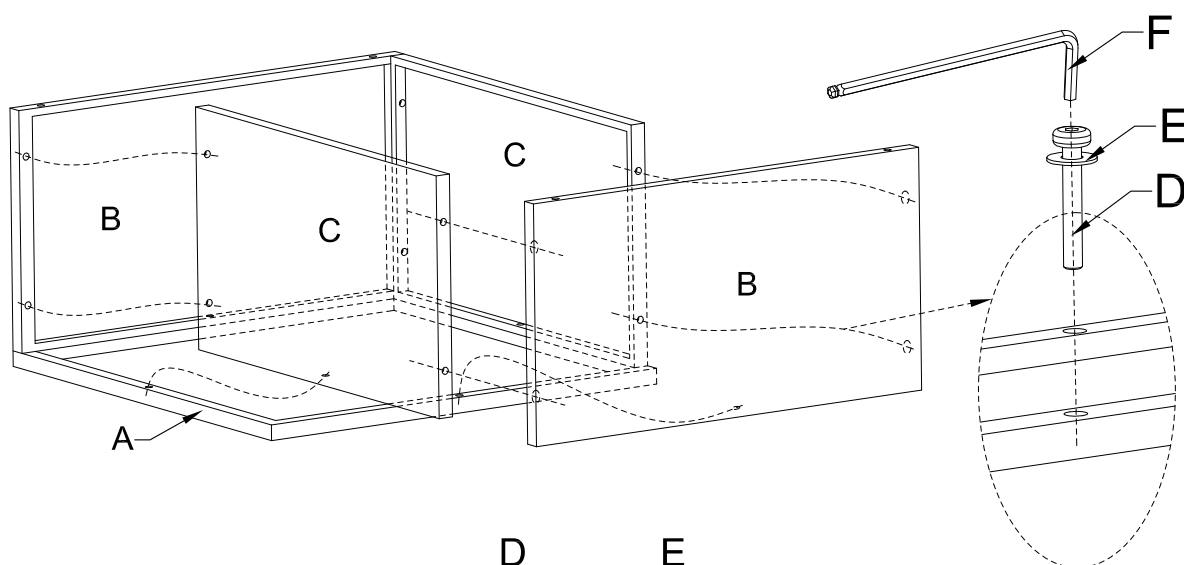
 <p>Bolt(M6mm*30mm)</p>		 <p>Washer(M6mm)</p>	
D	12pcs	E	12pcs
 <p>Allen Key(M6mm)</p>		 <p>Adjustable Leveler</p>	
F	1pc	G	4pcs

Step 1. Lay wicker Top (A) on a flat surface with underside facing up. Attach 1PC of Side Panel(B) to Top (A), 1PC of End Panel (C) to Side Panel (B) & Top (A) using Bolts(D), Washers(E) and Allen Key (F).

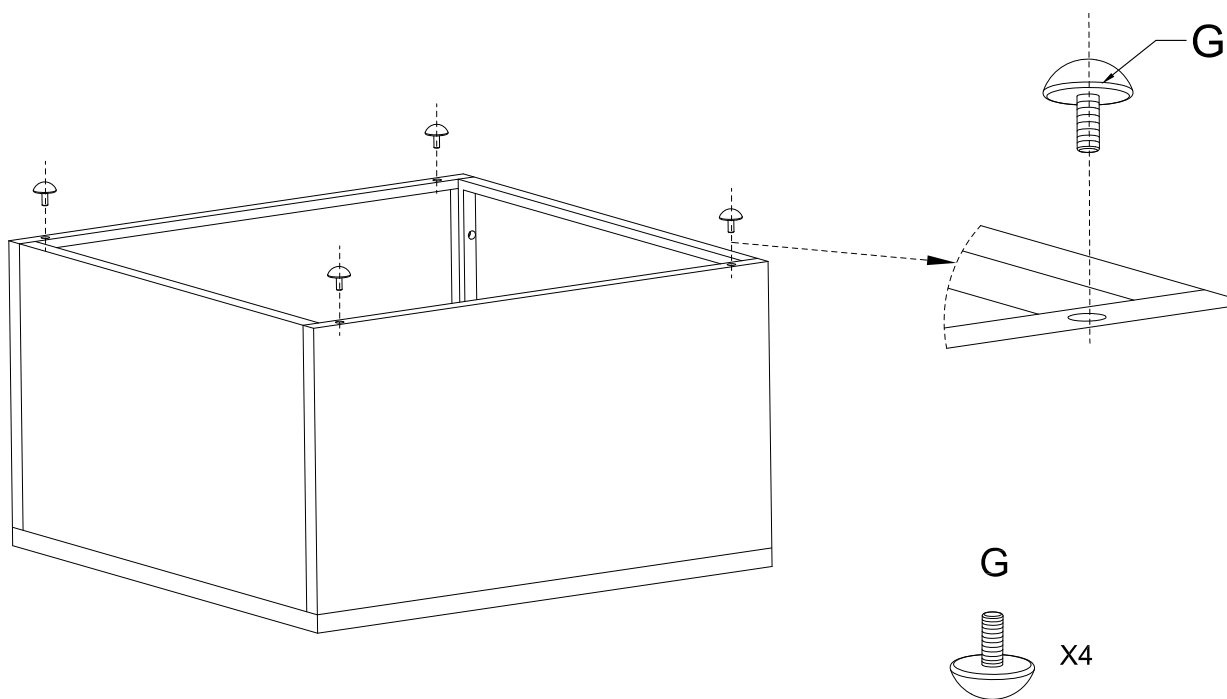
NOTE: Do not fully tighten bolt until all bolts are in place.



Step 2. Repeat Step 1 to attach 1 pc of Side Panel(B) to Top (A), 1pc of End Panel (C) to Side Panel (B) & Top (A)



Step 3. Screw the Adjustable Levelers (G) into the pre-drilled holes, to the desired position, on the bottom of the table.



Step 4. Turn the table upright.

