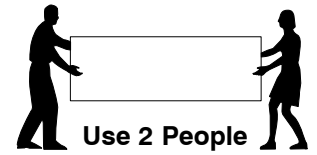
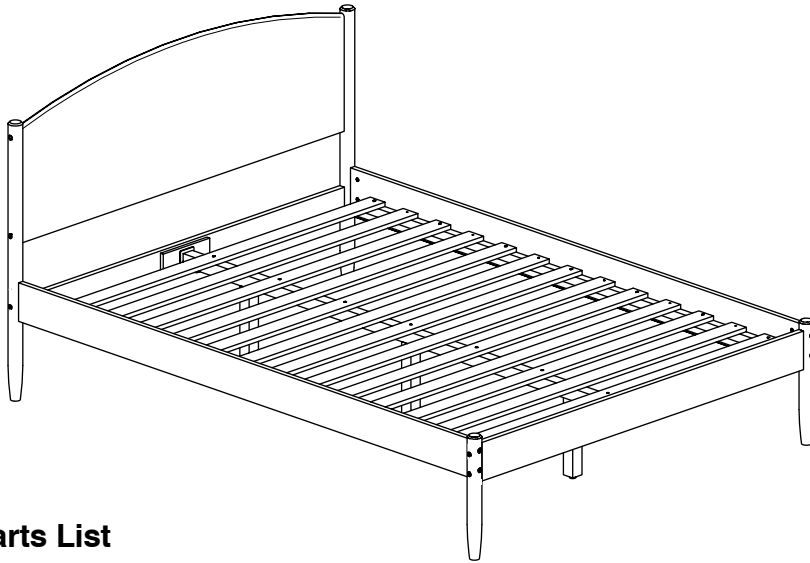


# Full Bed

## Assembly Instructions

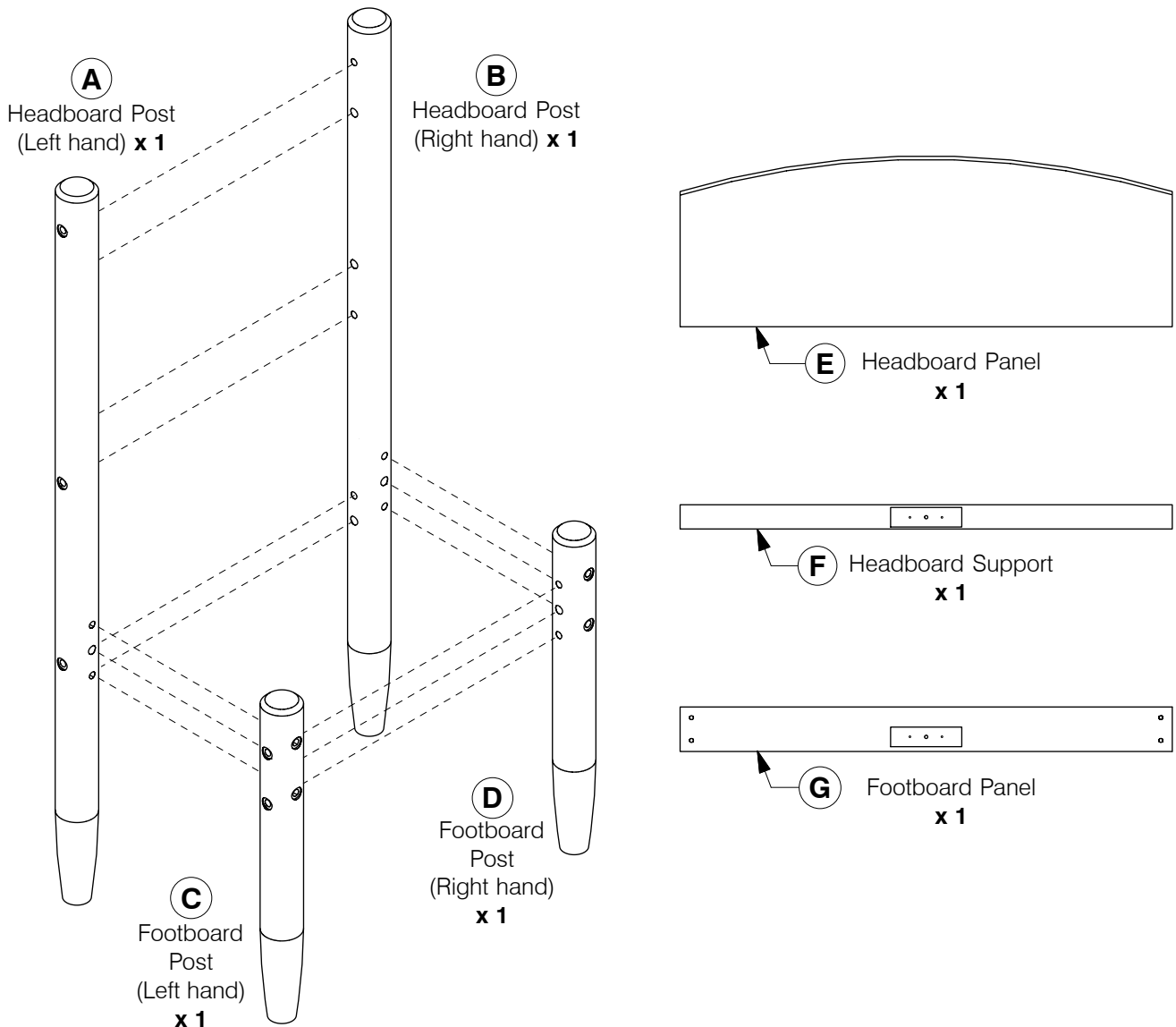
### 1 Assembled View



**Note:** Do not assemble using power tools. This can cause the bolts to be overtightened

### 2 Parts List

Parts in Box A:

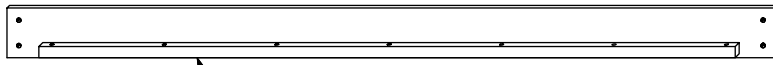


# Full Bed

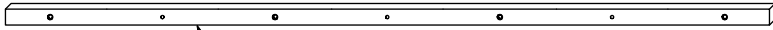
## Assembly Instructions

### 2 Parts List

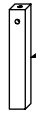
Parts in Box B:



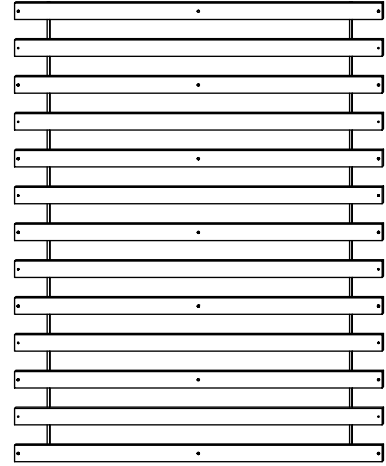
**H** Side Rail x 2



**J** Long Support x 1



**K** Support Leg x 3



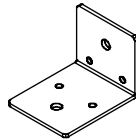
**L**

Set of Bed Slats x 1

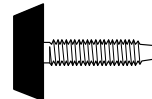
### 3 Hardware List



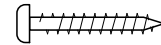
**1** M4 Allen Key x 1



**2** Center Rail Bracket x 2



**3** Adjustable Foot x 3



**4** Wood Screw (M4 x 32mm) x 12



**5** Wood Dowel (10 x 40mm) x 12



**6** Barrel Nut x 21



**7** M6 x 15mm JCB x 4



**8** M6 x 40mm JCB x 18

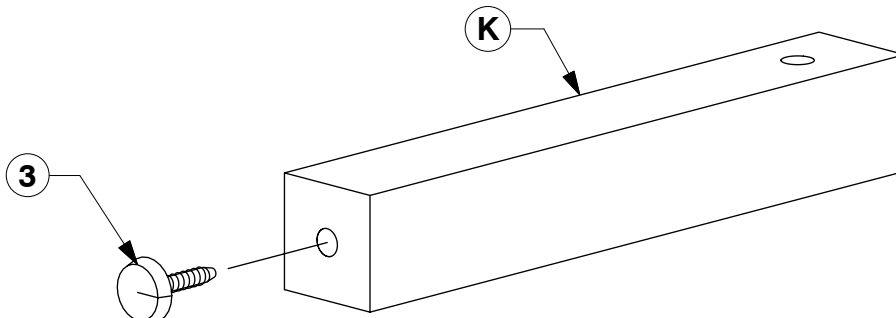


**9** M6 x 90mm JCB x 18



**10** M6 x 100mm JCB x 3

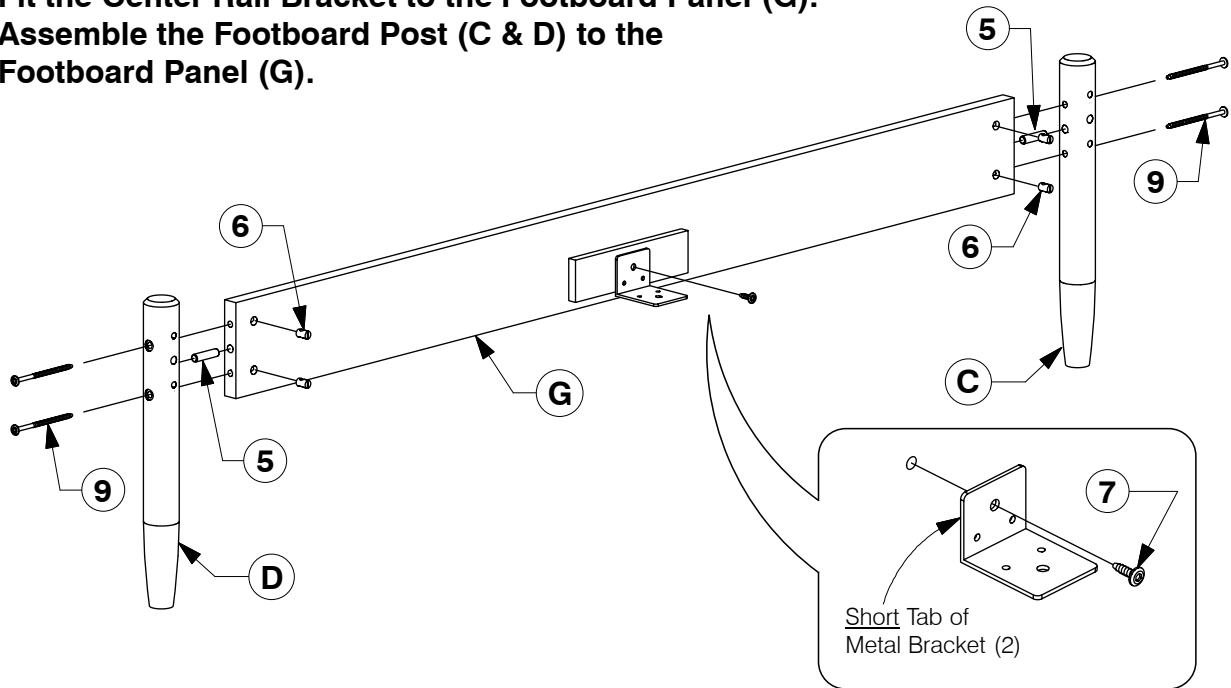
### 4 Fix the Adjustable foot to the bottom of the Support Leg (K).



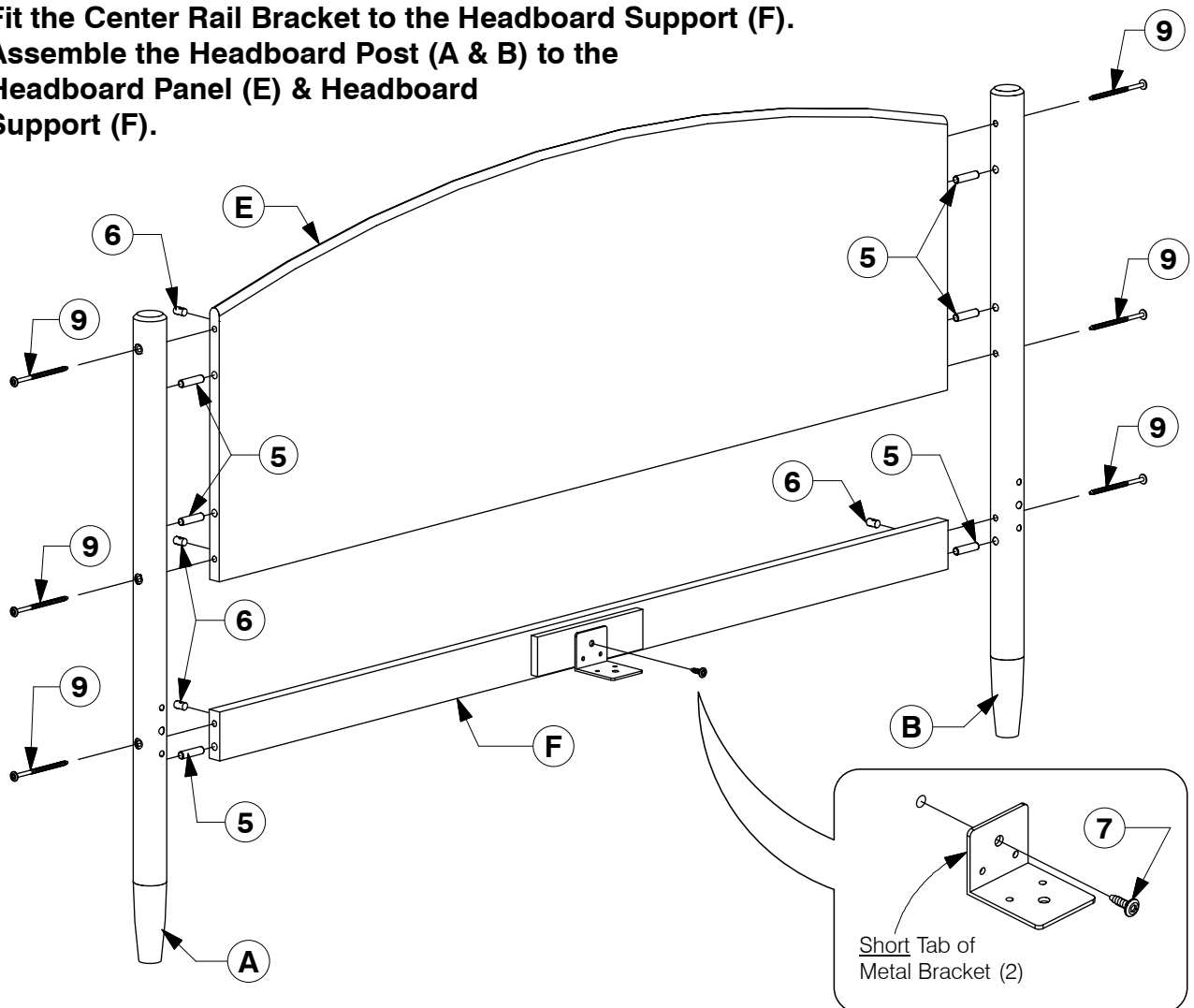
# Full Bed

## Assembly Instructions

- 5** Fit the Center Rail Bracket to the Footboard Panel (G).  
Assemble the Footboard Post (C & D) to the  
Footboard Panel (G).



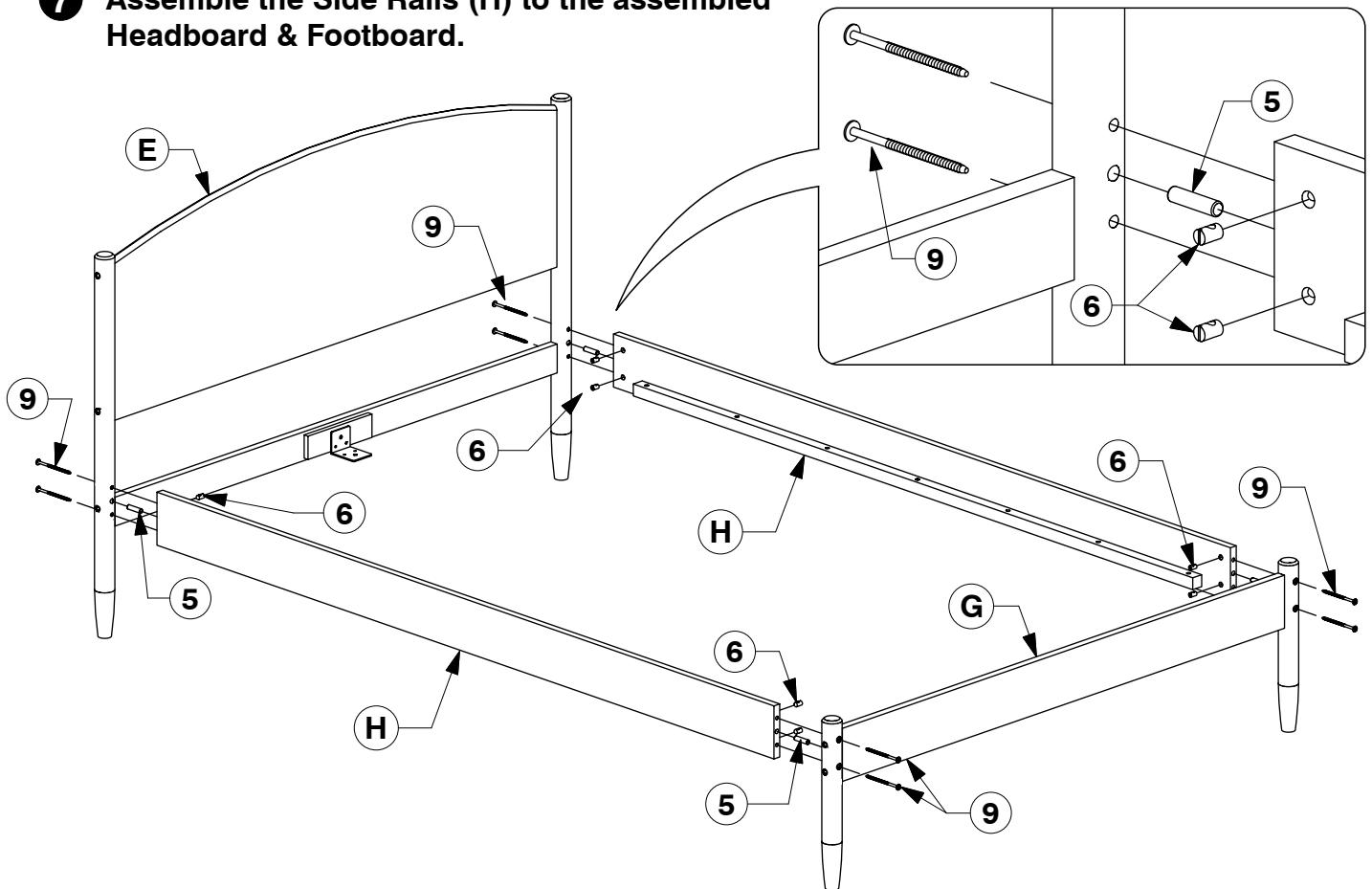
- 6** Fit the Center Rail Bracket to the Headboard Support (F).  
Assemble the Headboard Post (A & B) to the  
Headboard Panel (E) & Headboard  
Support (F).



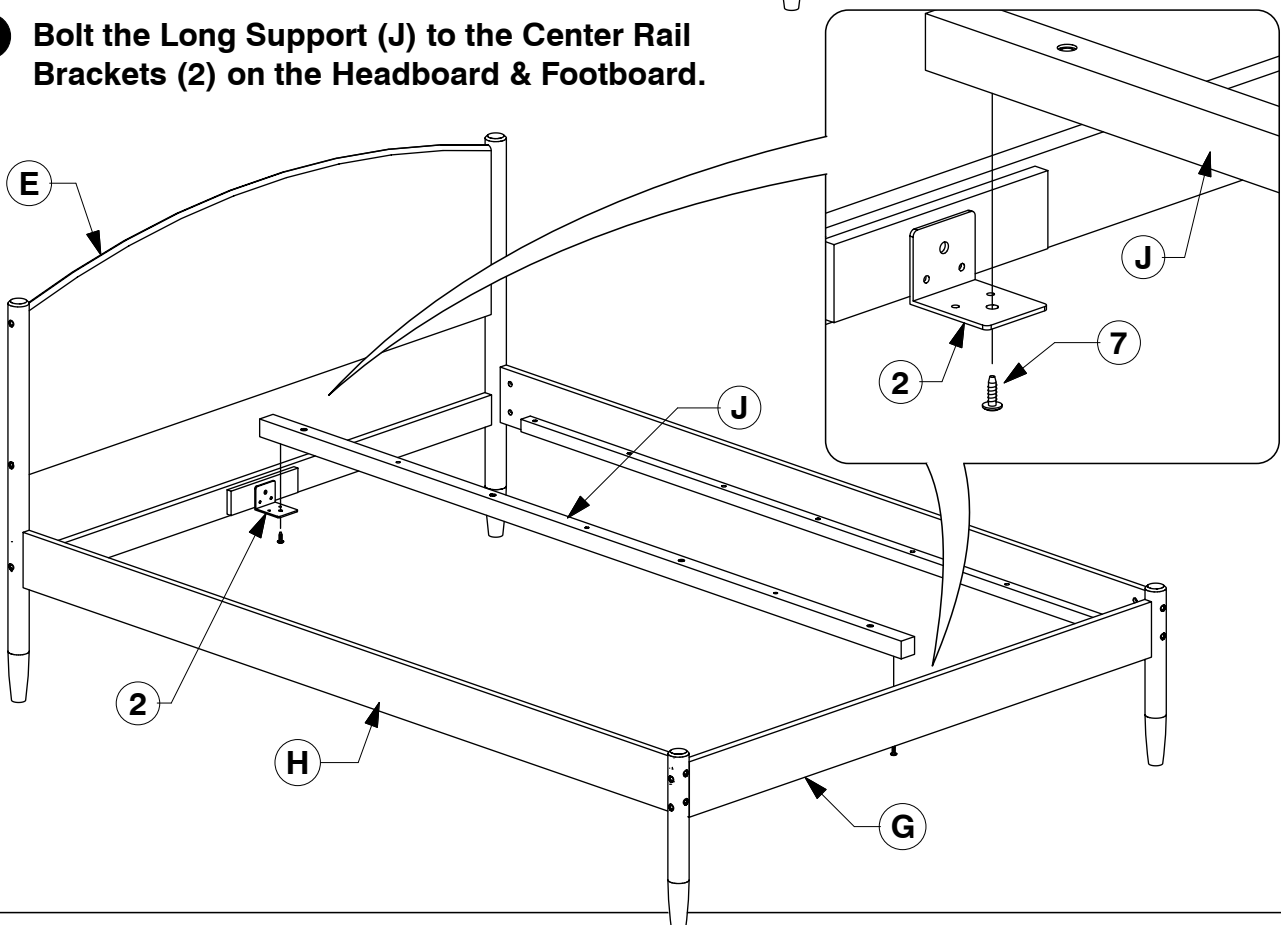
# Full Bed

## Assembly Instructions

- 7 Assemble the Side Rails (H) to the assembled Headboard & Footboard.**



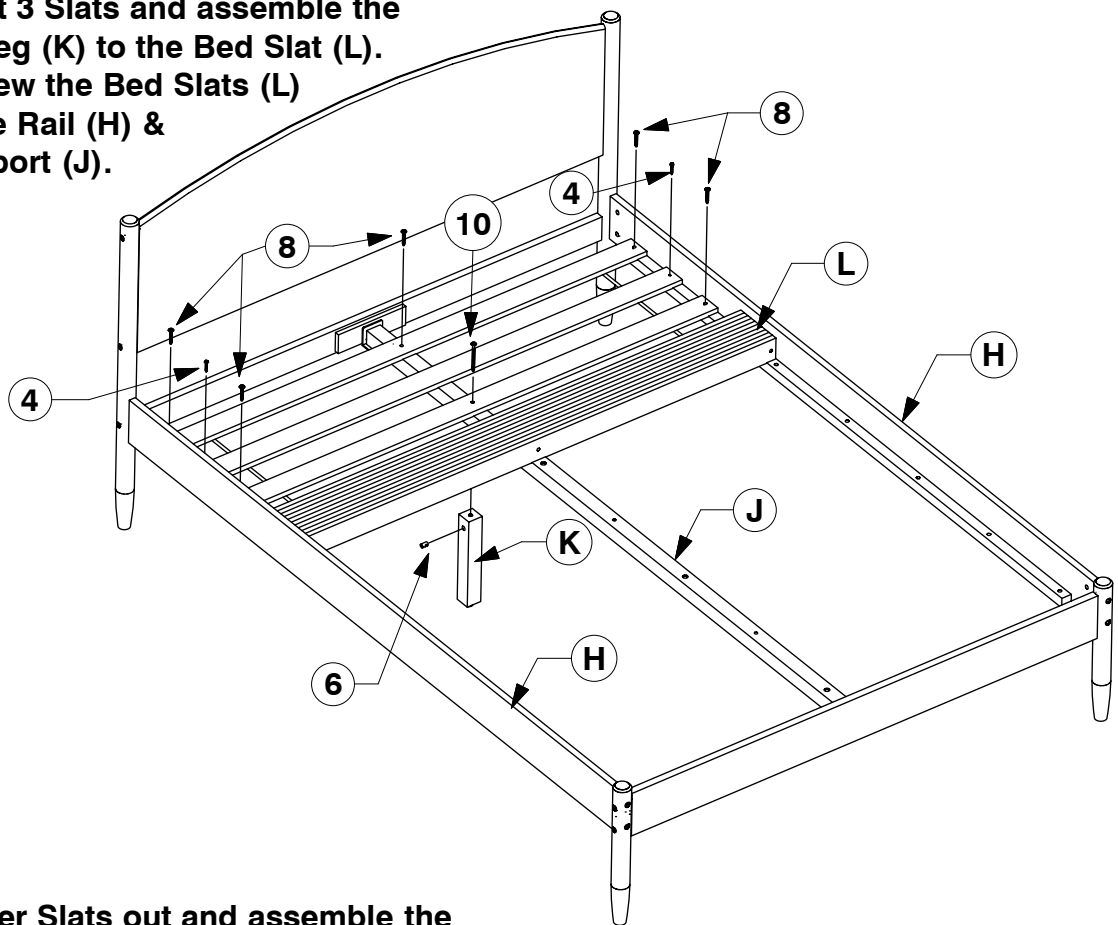
- 8 Bolt the Long Support (J) to the Center Rail Brackets (2) on the Headboard & Footboard.**



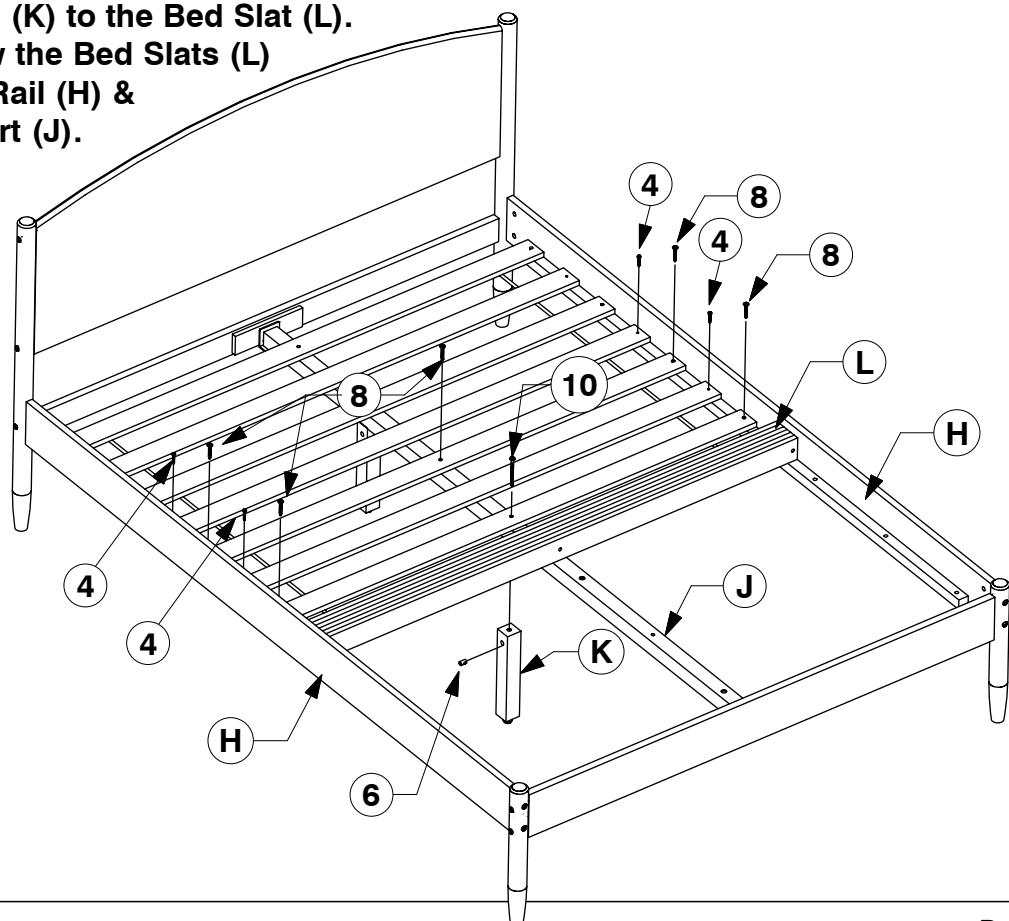
# Full Bed

## Assembly Instructions

- 9** Fit the first 3 Slats and assemble the Support Leg (K) to the Bed Slat (L). Bolt & screw the Bed Slats (L) to the Side Rail (H) & Long Support (J).



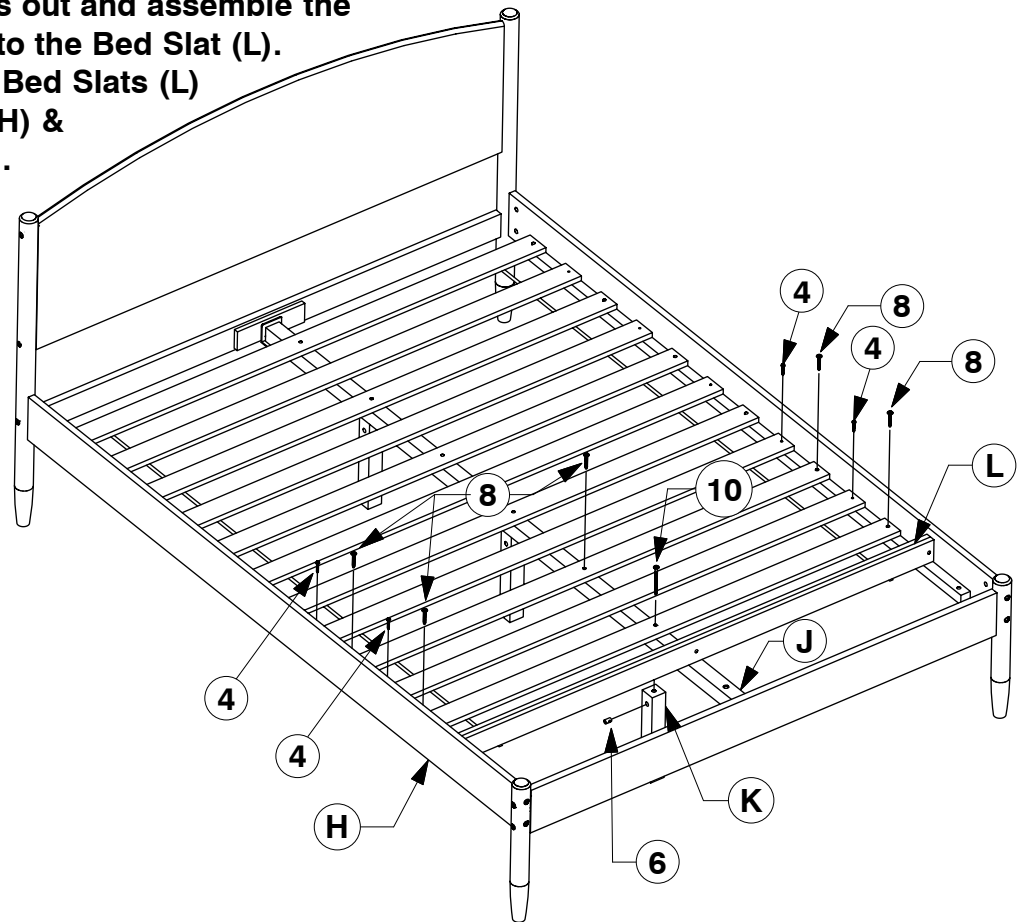
- 10** Fit the other Slats out and assemble the Support Leg (K) to the Bed Slat (L). Bolt & screw the Bed Slats (L) to the Side Rail (H) & Long Support (J).



# Full Bed

## Assembly Instructions

- 11** Fit the other Slats out and assemble the Support Leg (K) to the Bed Slat (L). Bolt & screw the Bed Slats (L) to the Side Rail (H) & Long Support (J).



- 12** Bolt & screw the remaining Bed Slats (L) to the Side Rail (H).

