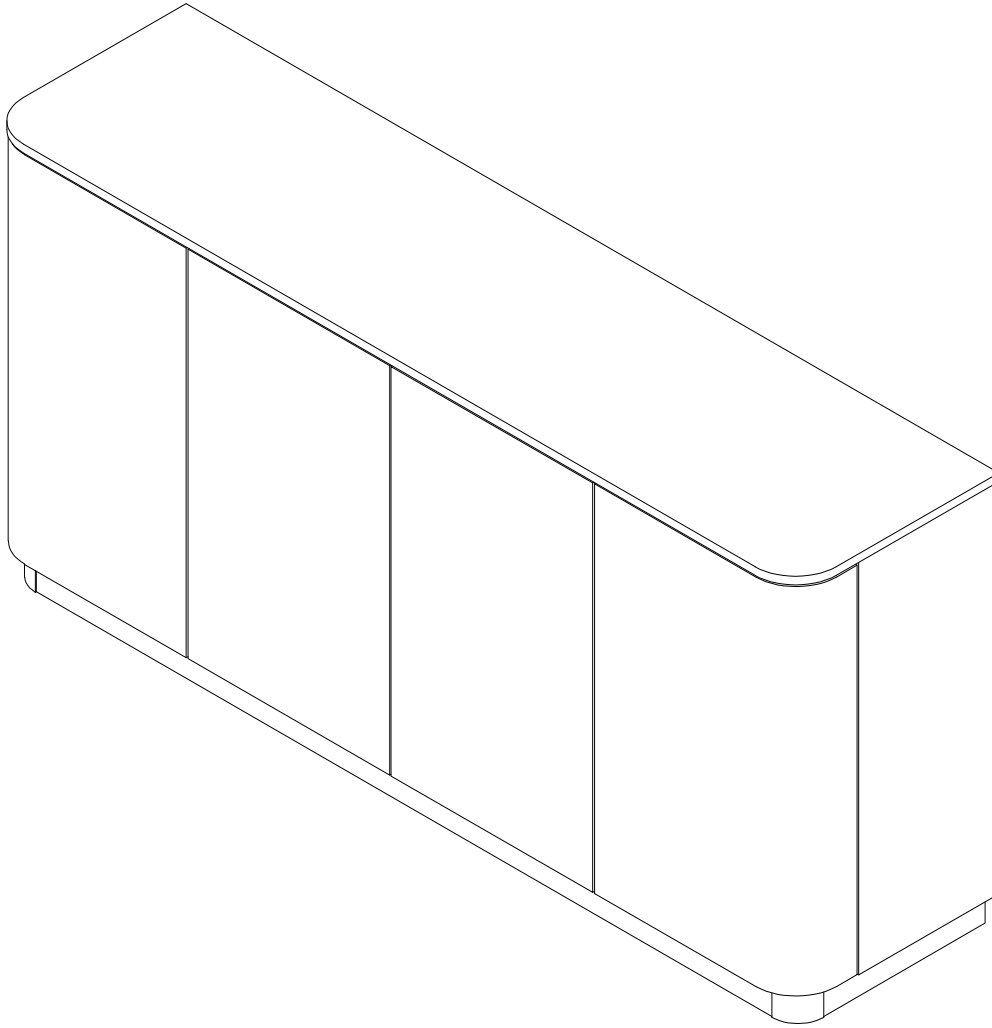


4 DOOR SIDEBOARD



Dimensions	No. people	Assembly Time
Width: 160.00cm Depth: 40.00cm Height: 78.50cm		2.0 Hours (approx.)



Important - Please read these instructions fully before starting assembly

Safety and Care Advice

Important - Please read these instructions fully before starting assembly

- Check you have all the components and tools listed on next pages.
- Remove all fittings from the plastic bags and separate them into groups.
- Keep children and animals away from the work area, small parts could choke if swallowed.
- Make sure you have enough space to lay out the parts before starting.
- Do not stand or put weight on the product, this could cause damage.
- Assemble the item as close to its final position (in the same room) as possible.
- Assemble on a soft, level surface to avoid damaging the unit or your floor.
- We do not recommend the use of power drill/drivers for inserting screws, as this could damage the unit. Only use hand screwdrivers.
- Dispose of all packaging carefully and responsibly.
- Warning : Do not over tighten the handle screw that way break the mirror.



Care and Maintenance

- Please clean using cloth with glass cleaner, do not use bleach or abrasive cleaners.
- From time to time check that there are no loose screws on this unit.
- This product should not be discarded with household waste. Take to your local authority waste disposal centre.

•Assemble all parts and bolts loosely during assembly,only once the product is complete should you fully tighten the bolts

•Regularly check and ensure That all bolts and fittings are tightened properly.

WARNING

In order to help prevent overturning- please follow these instructions

To help prevent product toppling over please follow the below steps:-

Use the anti tip stap or wall fixing method provided (if applicable)

Do not allow children to climb or hang on the furniture

Do not open more than one drawer at a time

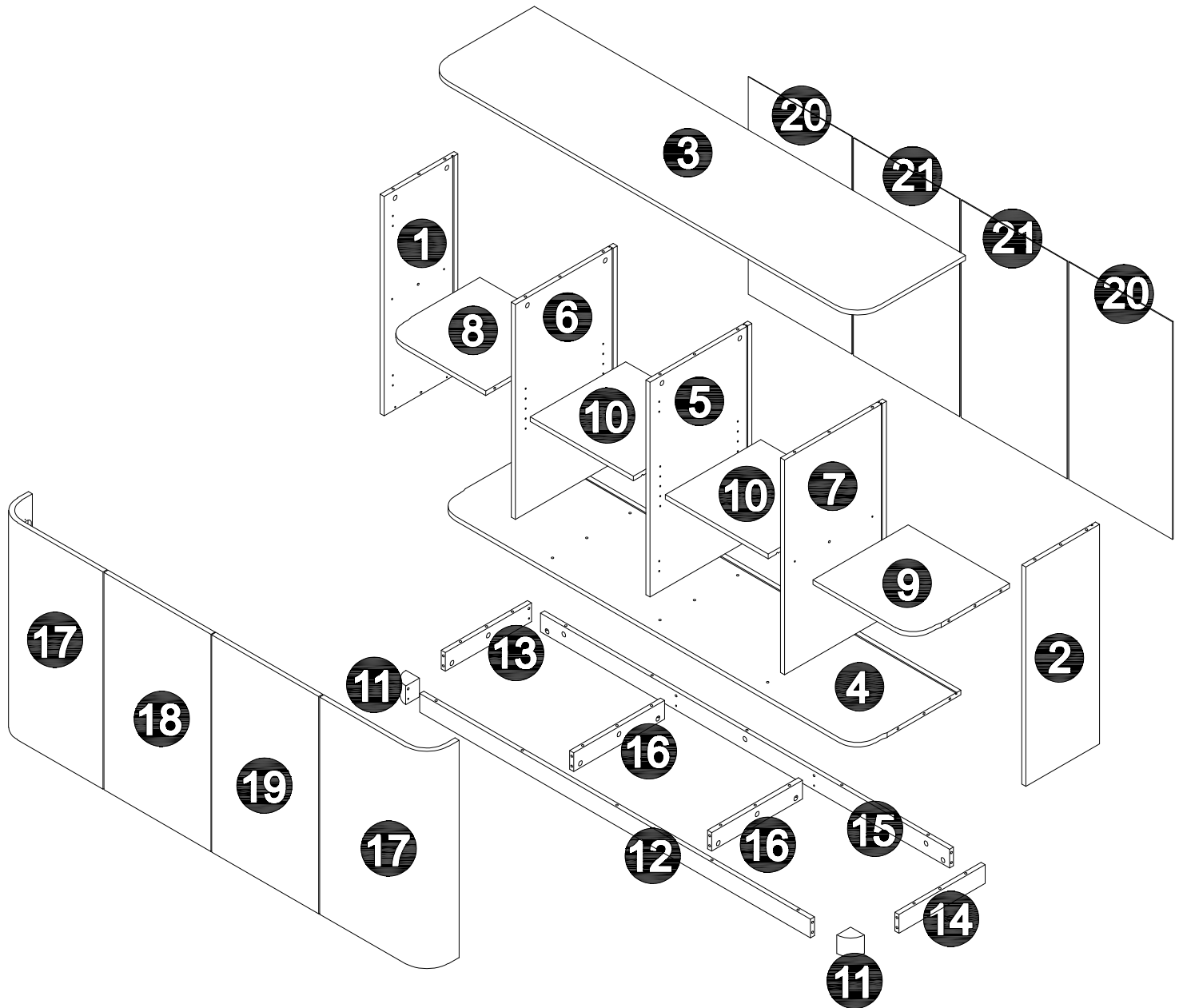
Do not place heavy items in the top drawers

Do not place heavy items on top of the furniture, unless the furniture has been designed for this purpose

please note that only the anti tip strap is provided.

You will need to provide wall plugs and screws applicable for your wall type

Exploded View



Components - Panels

Please check that you have all the components listed below before constructing your items.



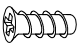
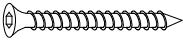
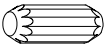
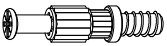
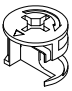
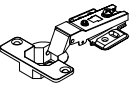
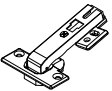
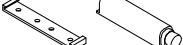
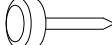

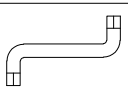
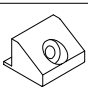
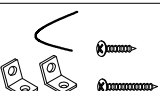
Part No	Description	Qty
1	Side Panel (Left)	1
2	Side Panel (Right)	1
3	Top Panel	1
4	Bottom Panel	1
5	Divider Panel	1
6	Divider Panel (Left)	1
7	Divider Panel (Right)	1
8	Shelf Panel (Left)	1
9	Shelf Panel (Right)	1
10	Adjustable Shelf Panel	2
11	Wooden Leg	2
12	Bottom Rail Panel (Front)	1
13	Bottom Rail Panel (Left)	1
14	Bottom Rail Panel (Right)	1
15	Bottom Rail Panel (Back)	1
16	Bottom Support Rail Panel	2
17	Door Panel (Left/Right)	2
18	Door Panel	1
19	Door Panel	1
20	Back Panel	2
21	Back Panel	2

Components - Fixings

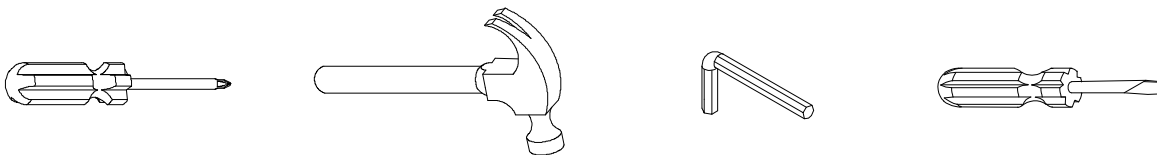
Please check that you have all the components listed below before constructing your items.

Note: The quantities below are the correct amount to complete the assembly. In some cases more fittings may be supplied than are required.

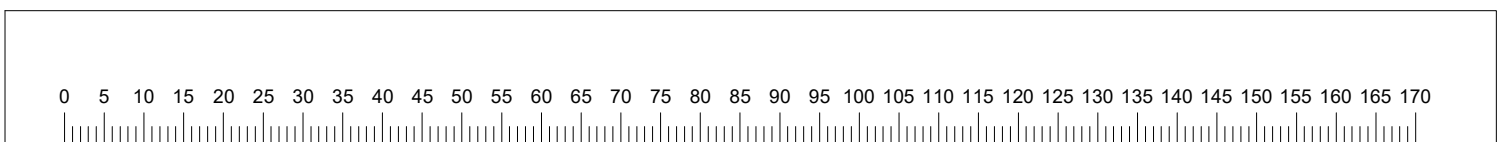
***Hardware packed separately according to the code.**

(A)	CSK M3.5 X 12MM	(B)	CSK M3.5 X 15MM	(C)	EURO SCREW M6 X 13MM	(D)	JCBC(W) M6 X 40MM
							
	8 unit		32 unit		16 unit		6 unit
(E)	WOOD DOWEL Ø8 X 25MM	(F)	BOLT DOWEL 20 X 5MM	(G)	CAM 15/15	(H)	SOFT CLOSE HINGES 2/8" SLIDE
							
	36 unit		42 unit		42 unit		4 sets
(J)	SOFT CLOSE HINGES (35M) 90 DEGREE	(K)	2011 PUSH OPEN FOR DOOR	(L)	PLASTIC LEG STUD	(M)	METAL ADJUSTABLE SHELF STUD
							
	4 sets		4 sets		8 unit		8 unit
(N)	ALLEN KEY M4	(P)	BACKPLY STOPPER	(Q)	TIPPING RESTRAINT KIT		
							
	1 unit		16 unit		2 Sets		

Tools Required



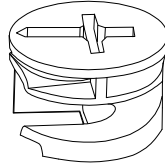
Ruler - Use this to measure your screws (mm)



Using Camlocks

SPECIAL TIPS FOR FITTING CAM-LOCKS AND CAM-BOLTS

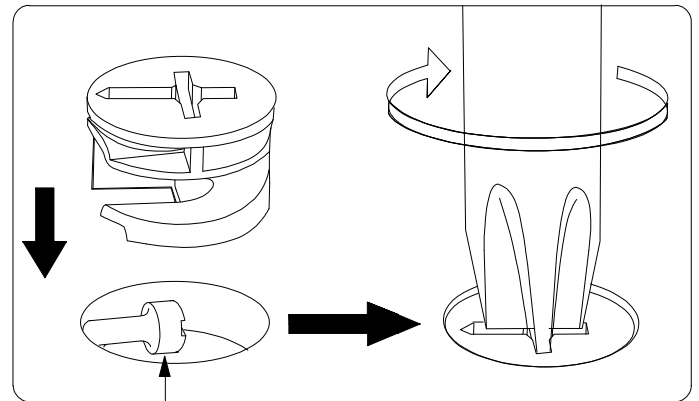
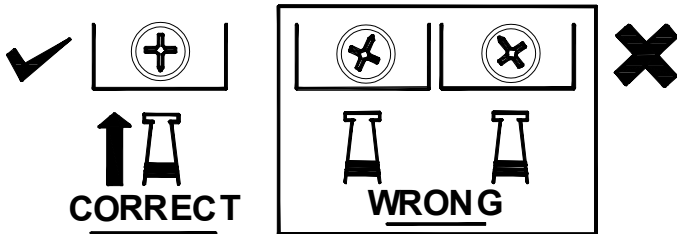
CAM-LOCK



Align with long point of cross

WHEN FITTING CAMS

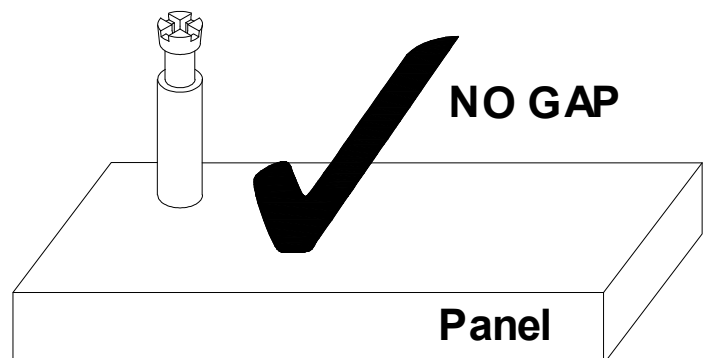
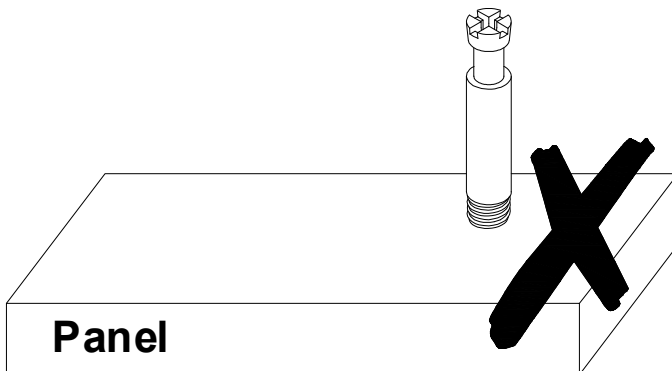
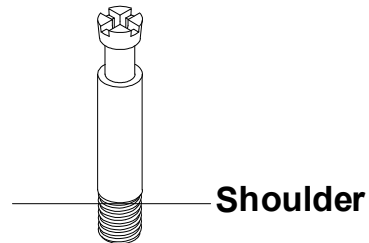
ENSURE STARTING POSITION IS CORRECT
BEFORE YOU INSERT CONNECTING CAM-BOLTS
TURN CLOCKWISE UNTIL SECURE



Lock head needs to be in centre



CAM-BOLT

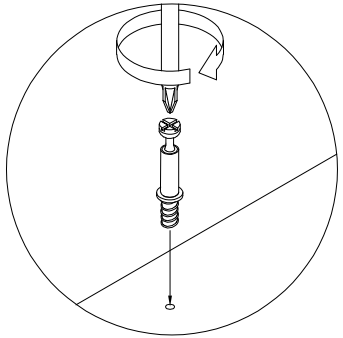
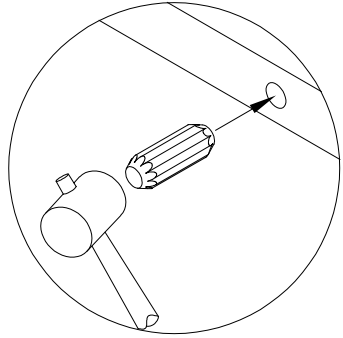
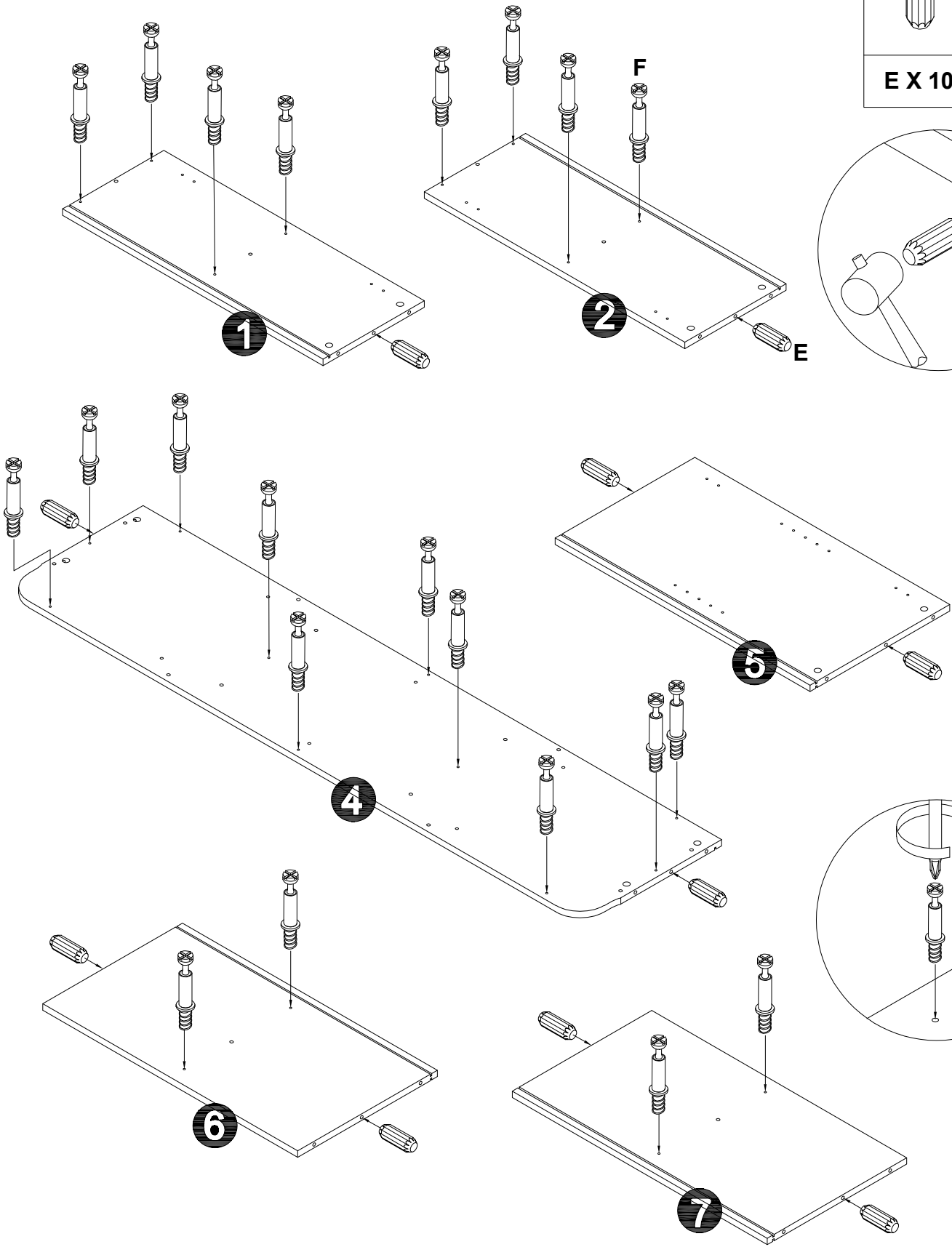
Tighten until shoulder is flush with panel. Do not overtighten or undertighten (see example below)



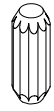
Assembly Instructions

Step 1

	
E X 10	F X 22



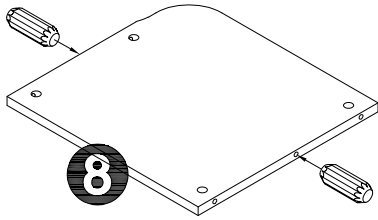
Step 2



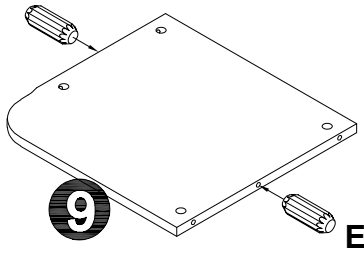
EX 26



FX 10

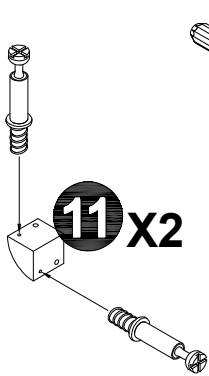
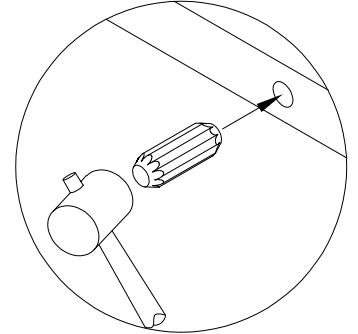


8

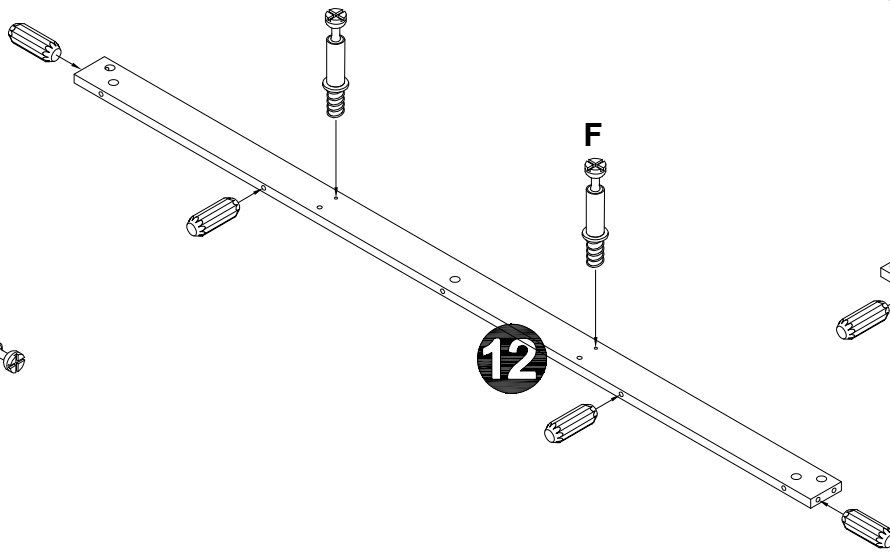


9

E

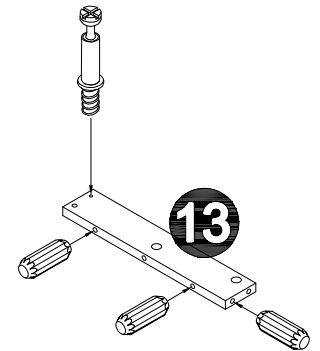


11 x2

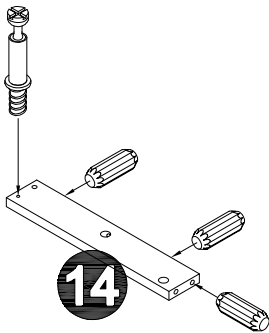


12

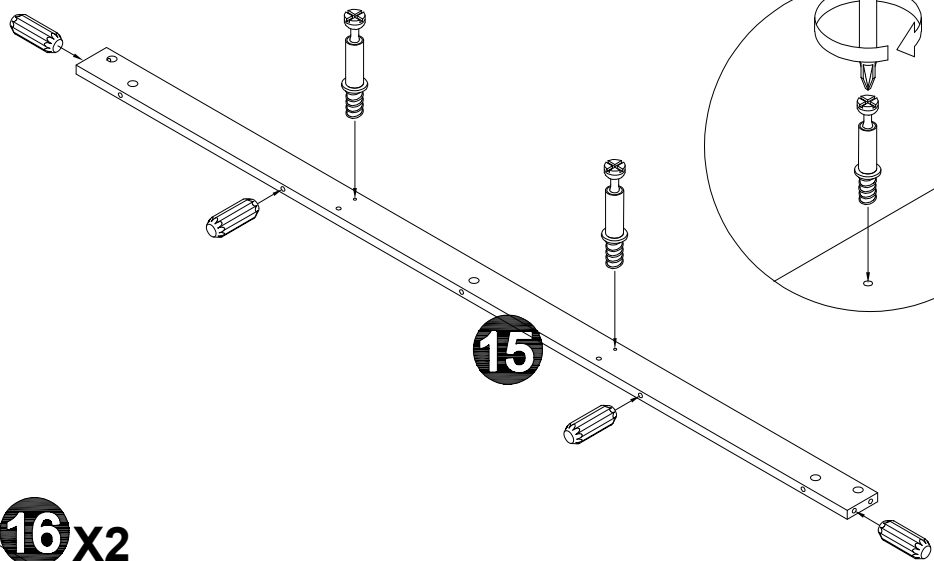
F



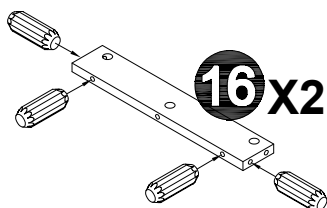
13



14

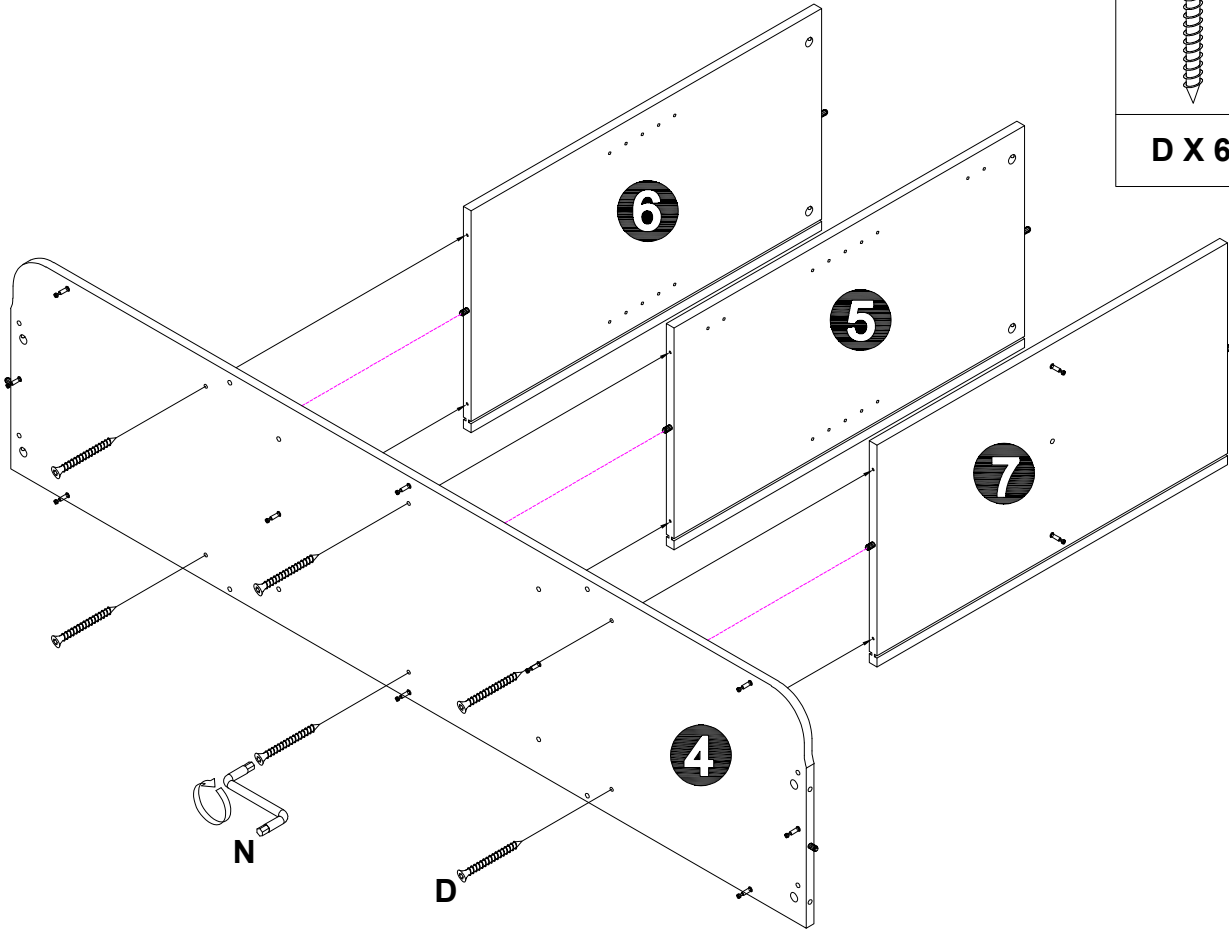


15



16 x2

Step 3

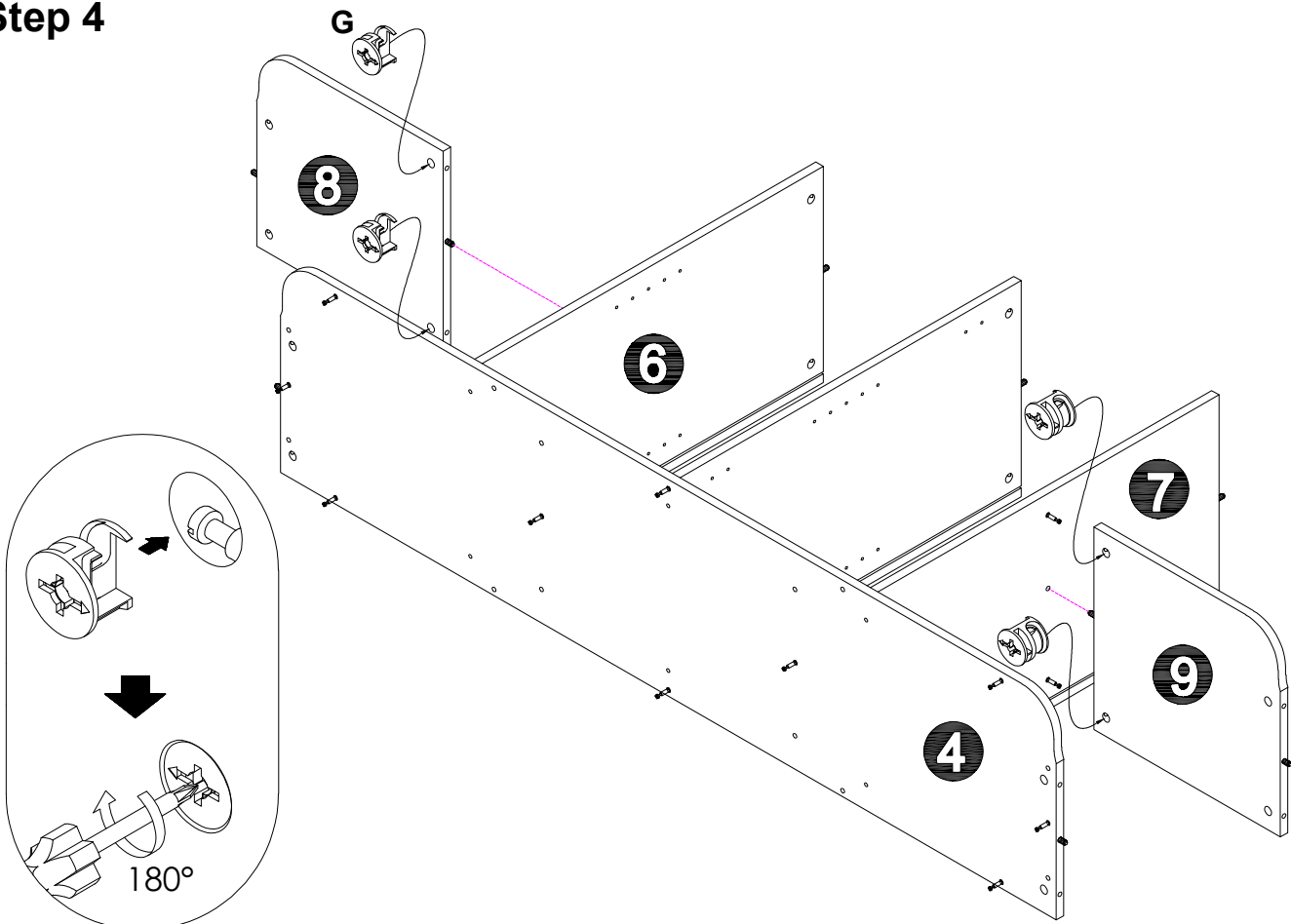


D X 6



N

Step 4



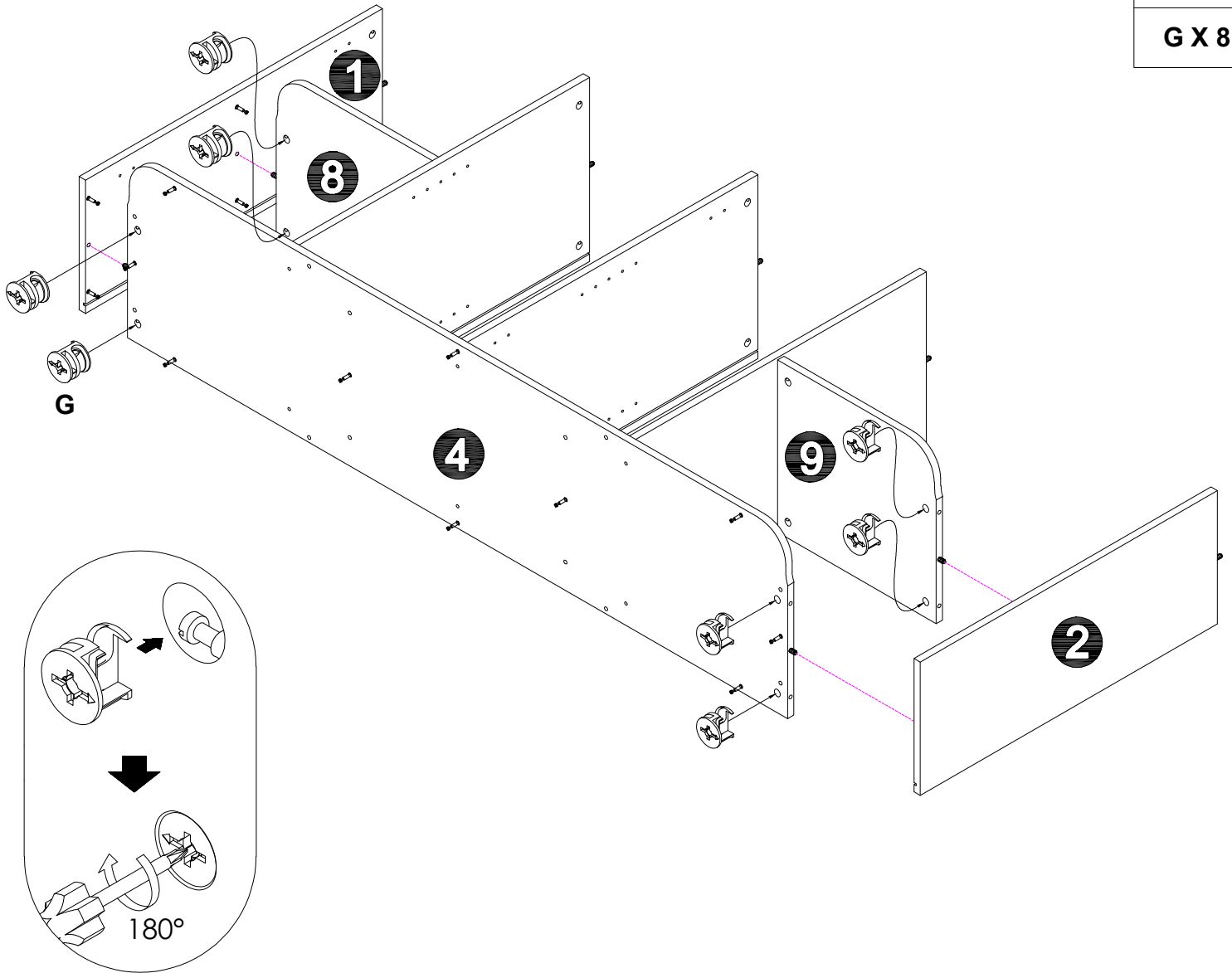
G X 4

180°

Step 5



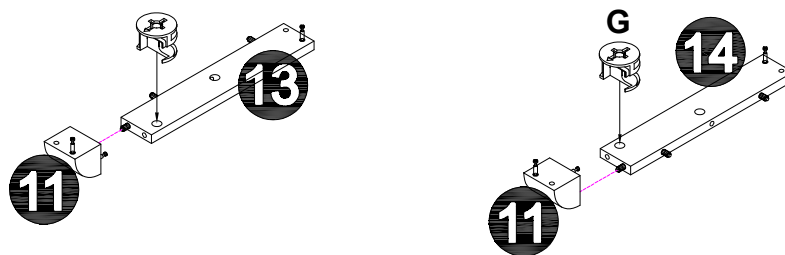
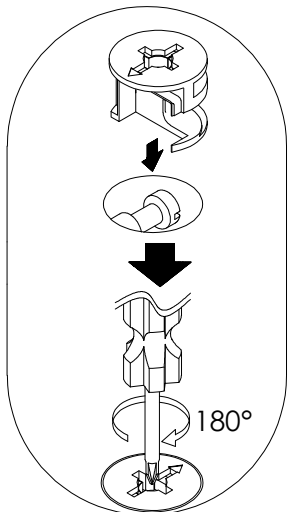
G X 8



Step 6



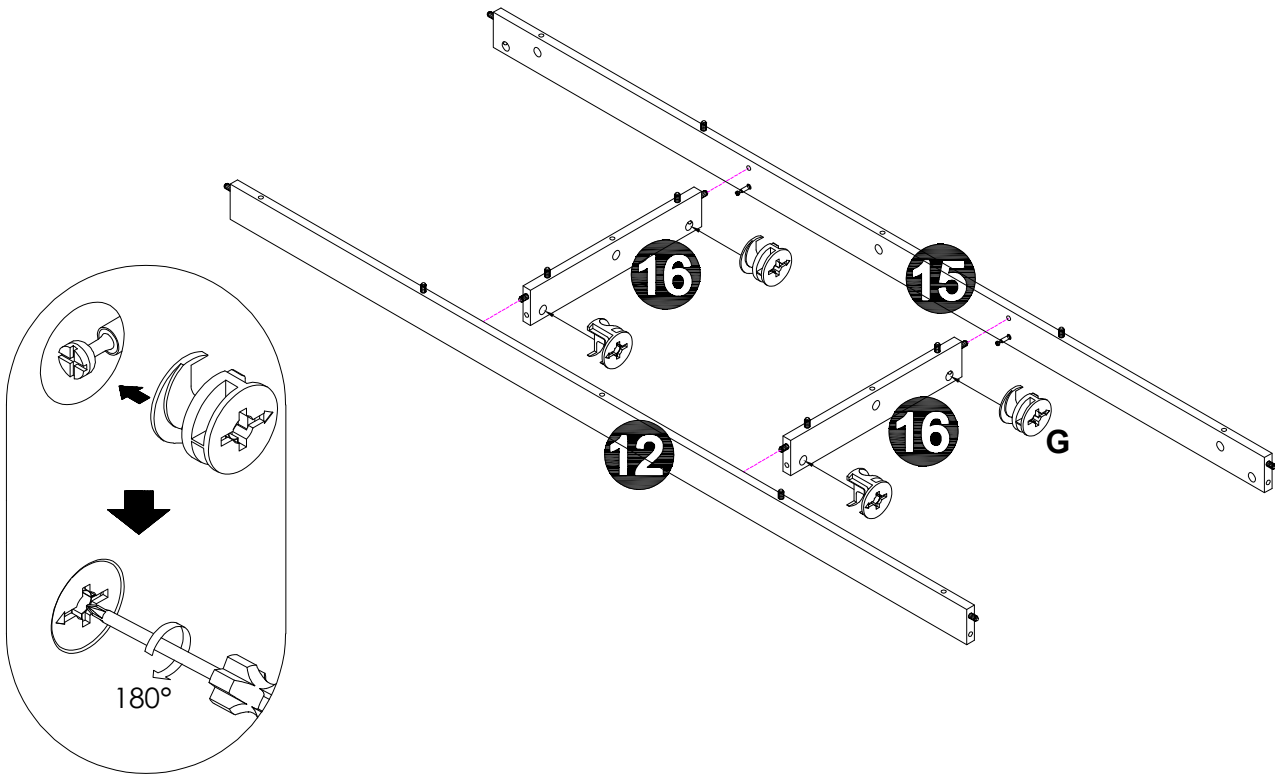
G X 2



Step 7



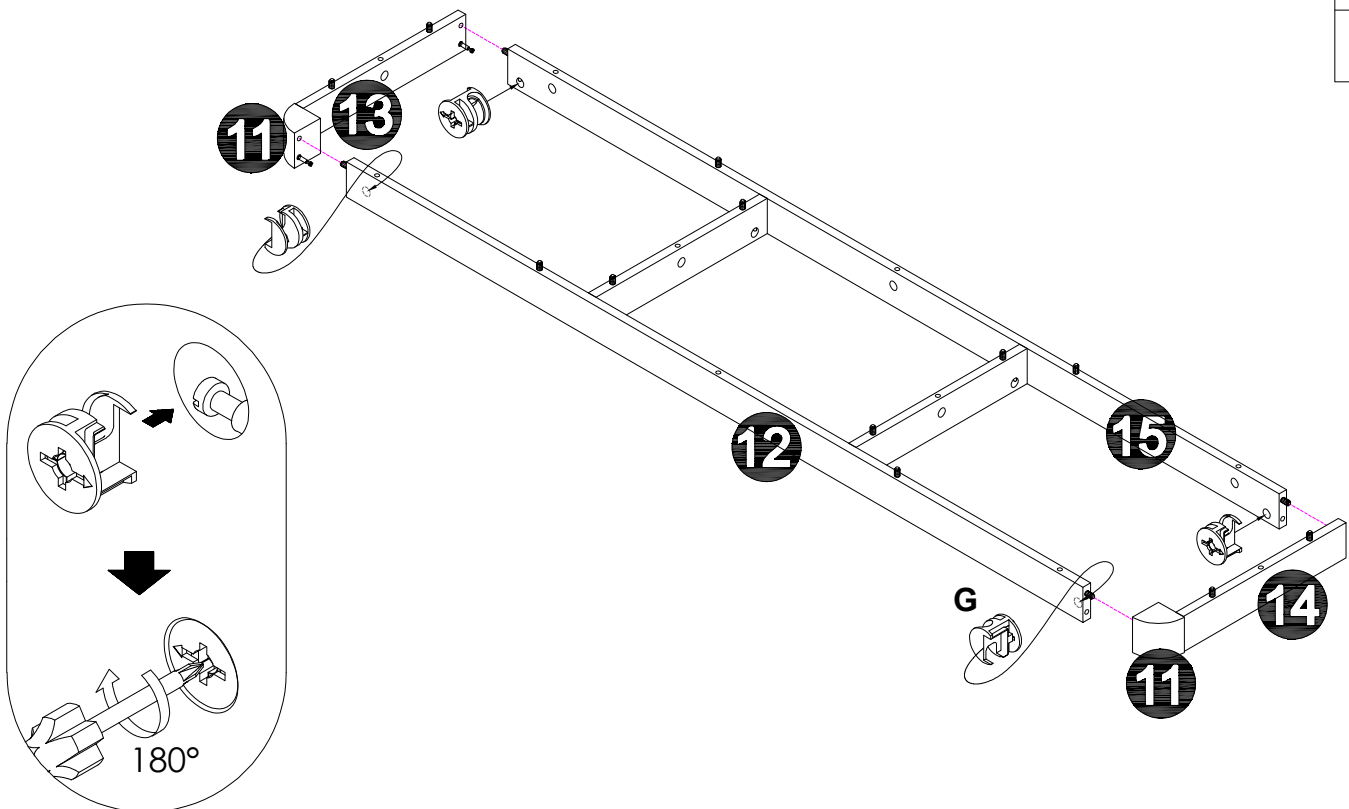
G X 4



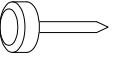
Step 8



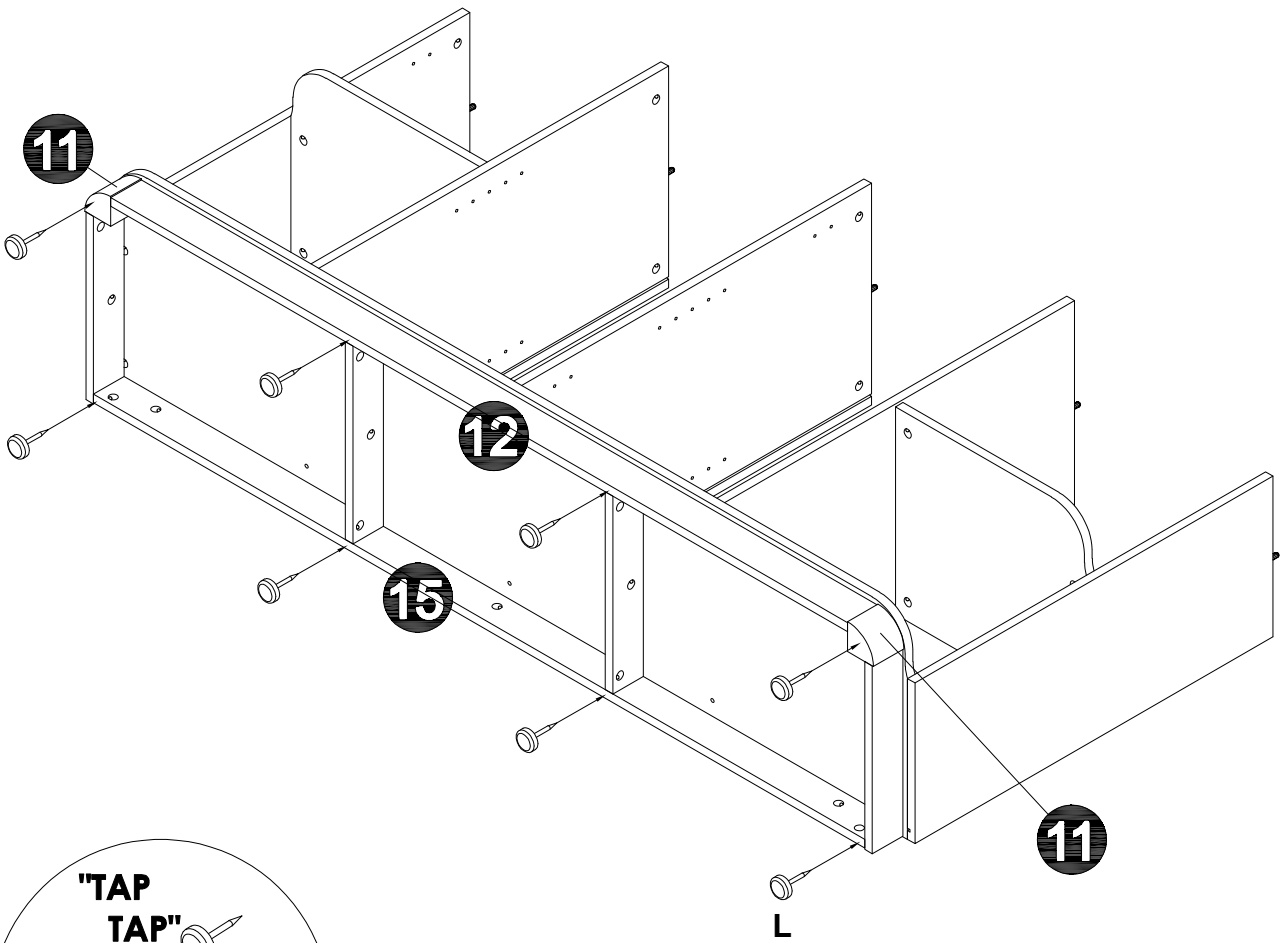
G X 4



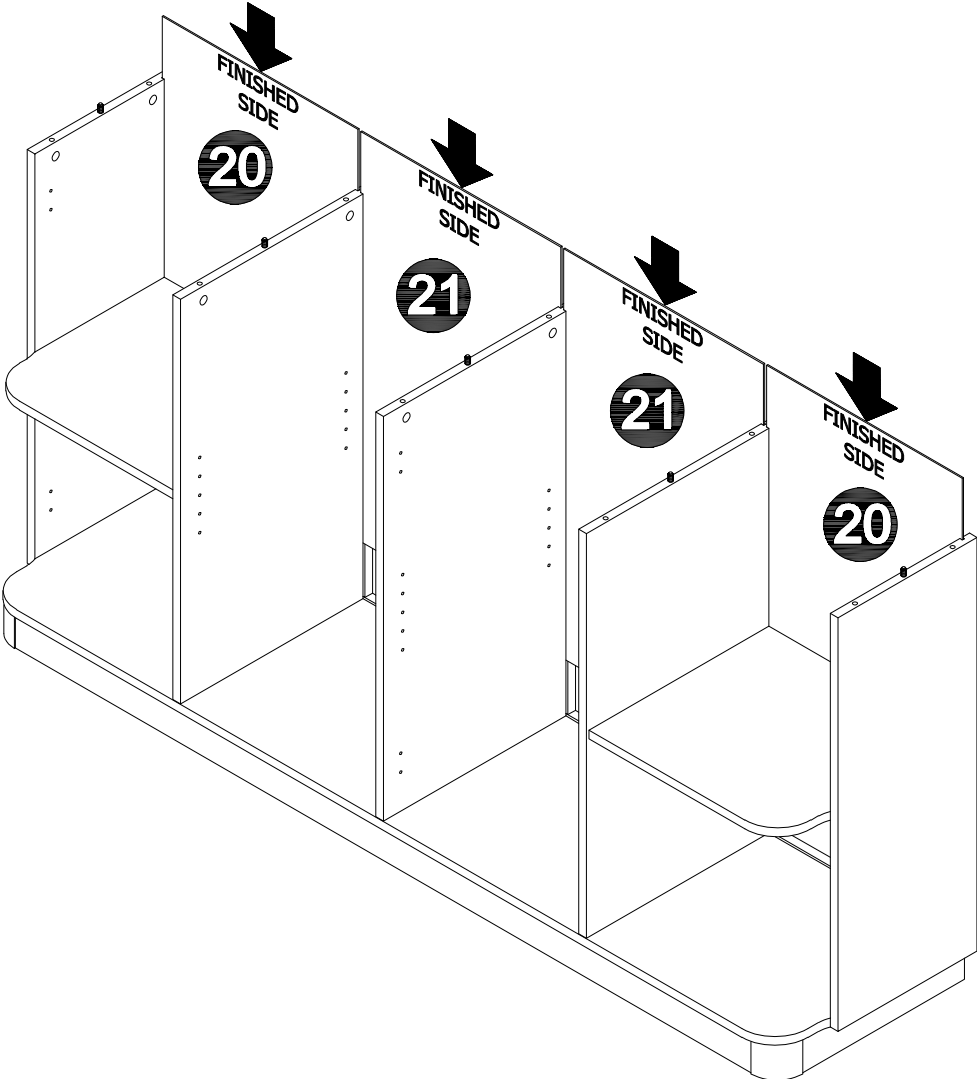
Step 10





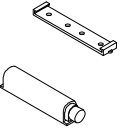
L X 8

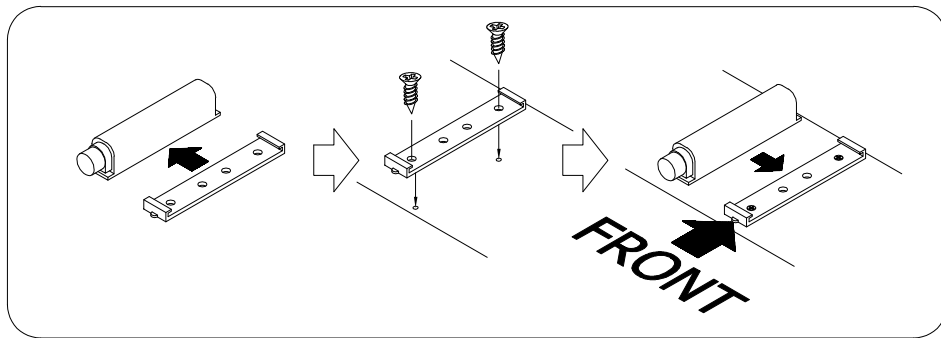
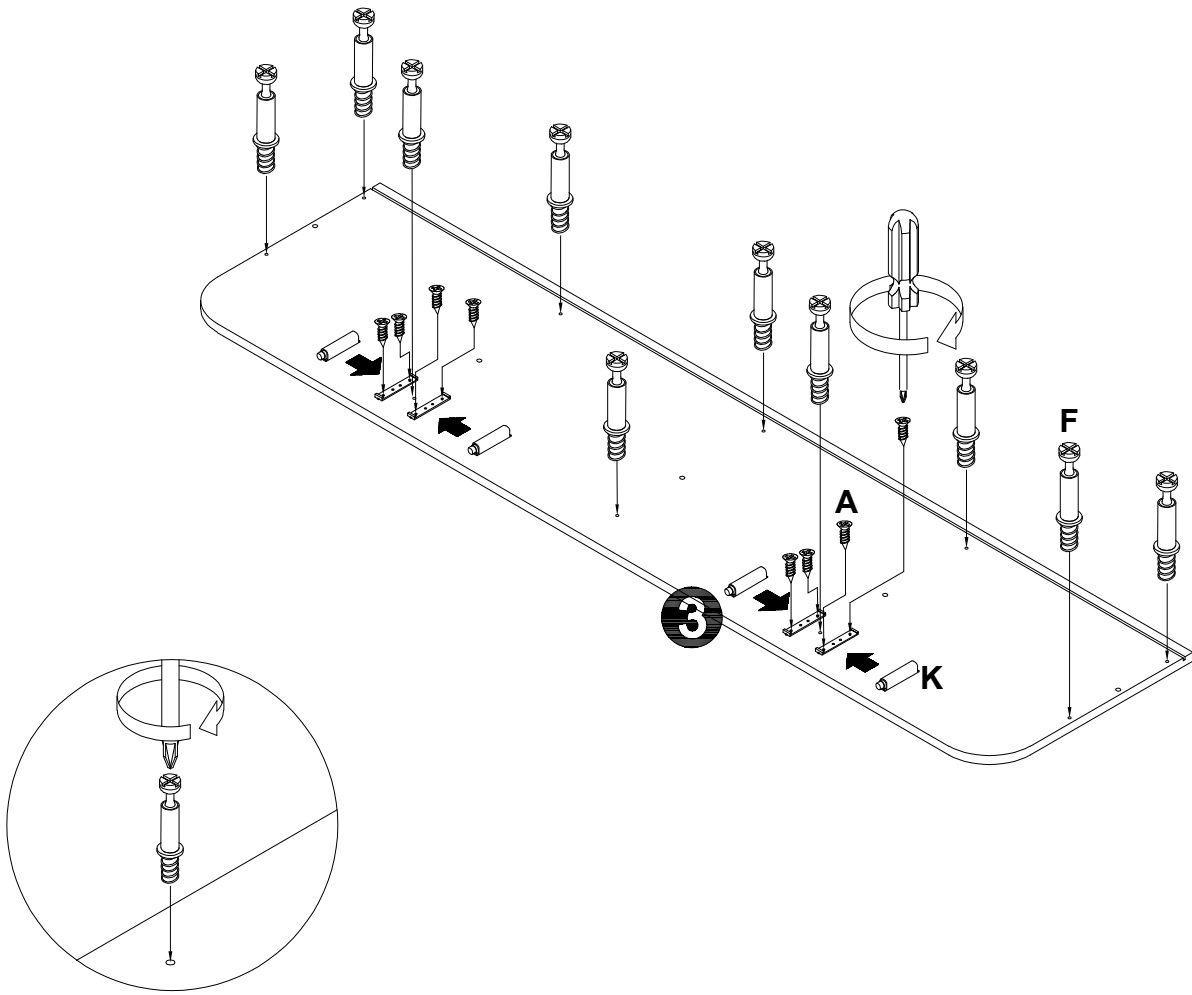


Step 11



Step 12

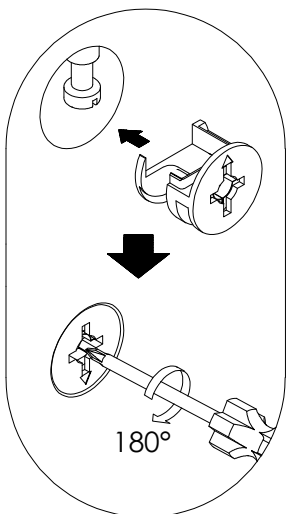
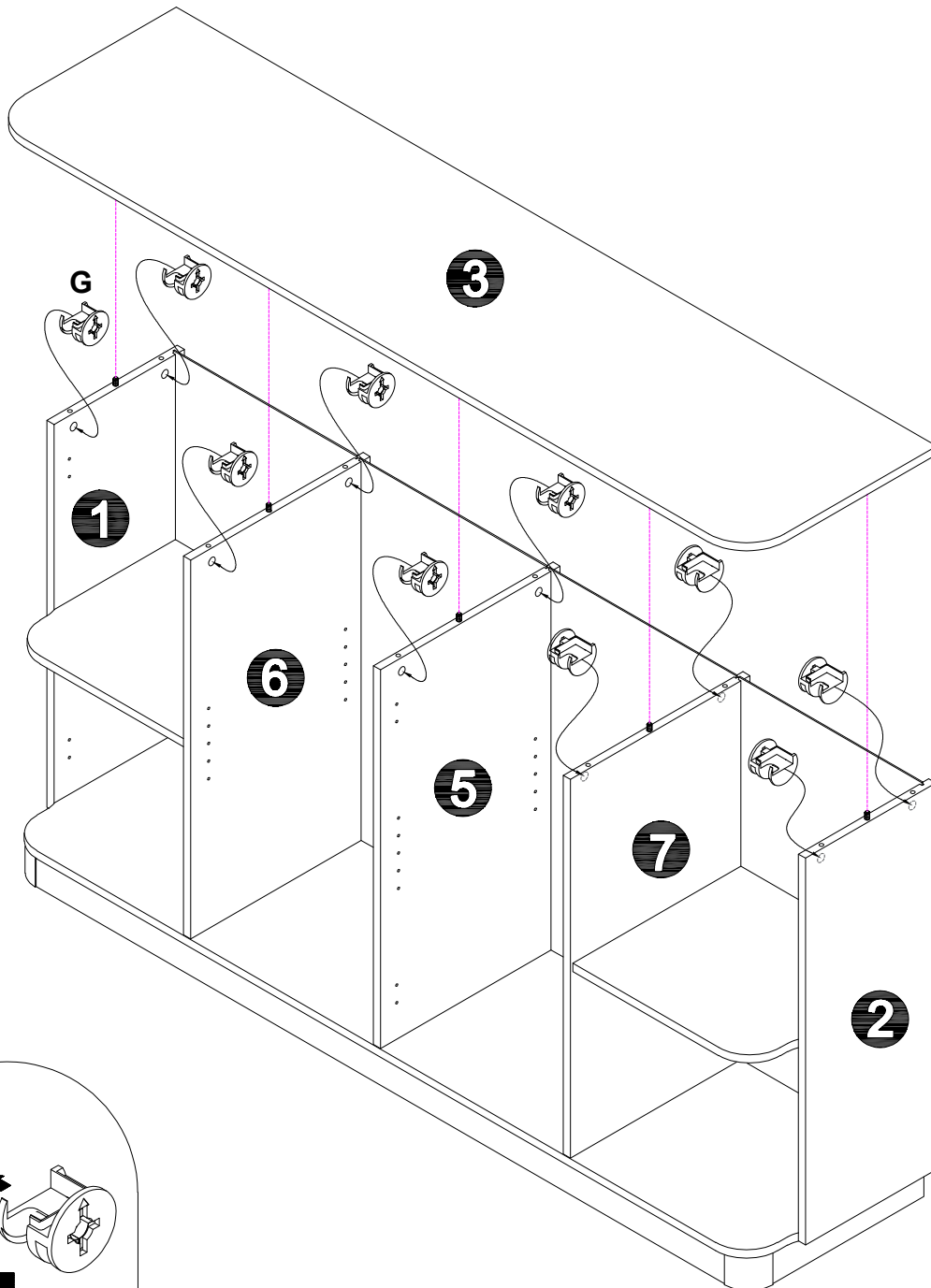
		
A X 8	F X 10	K X 4SETS



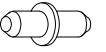
Step 13



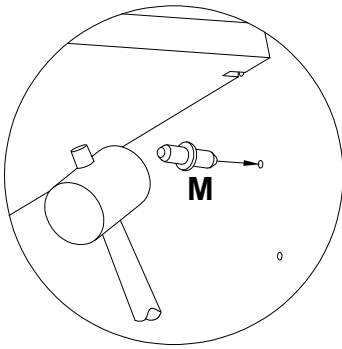
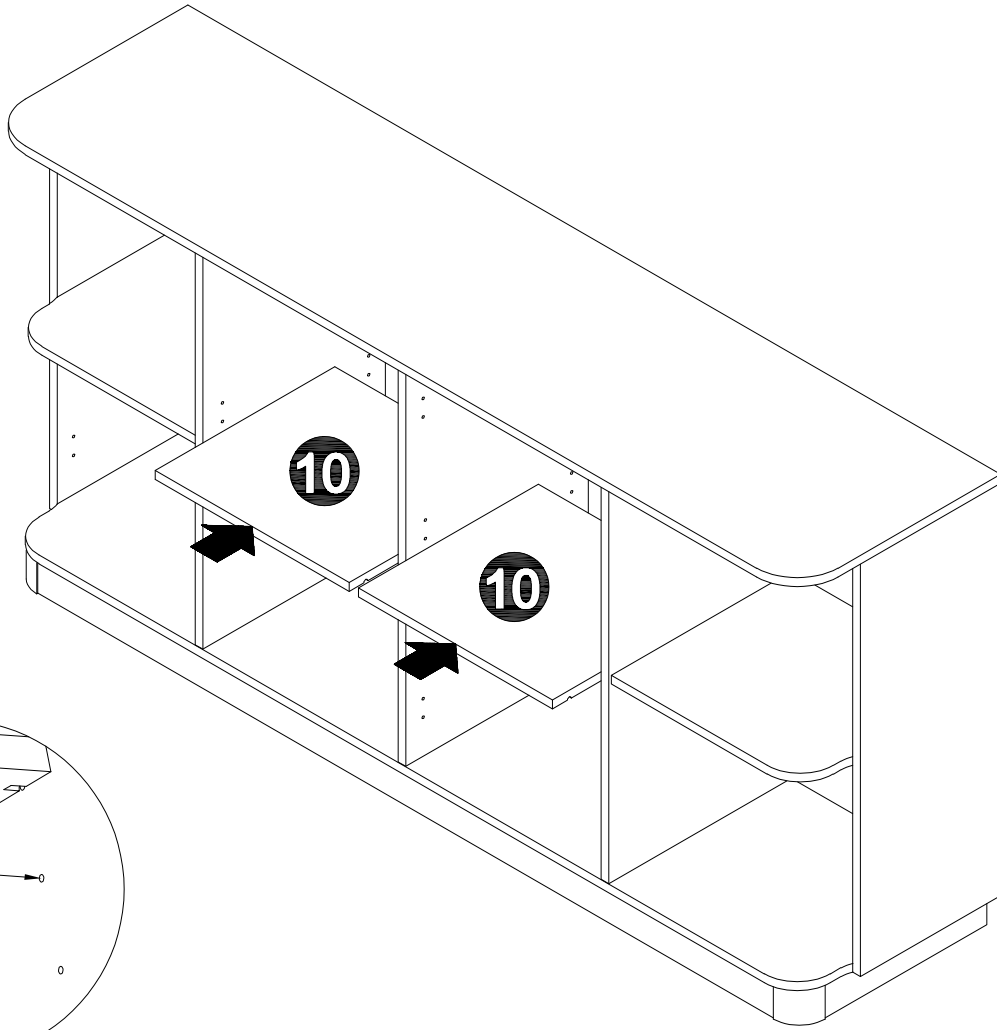
G X 10



Step 14



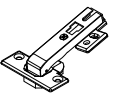
M X 8



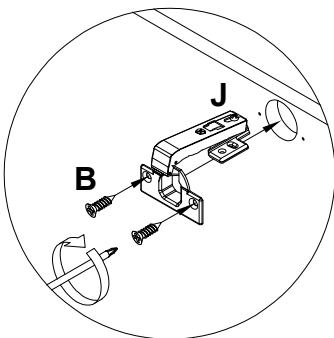
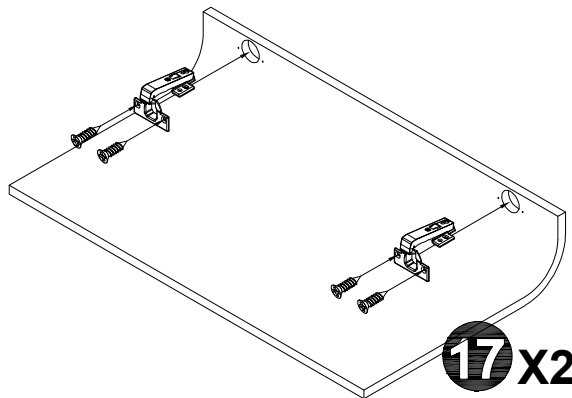
Step 15



B X 8



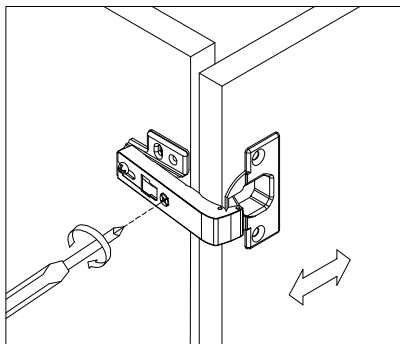
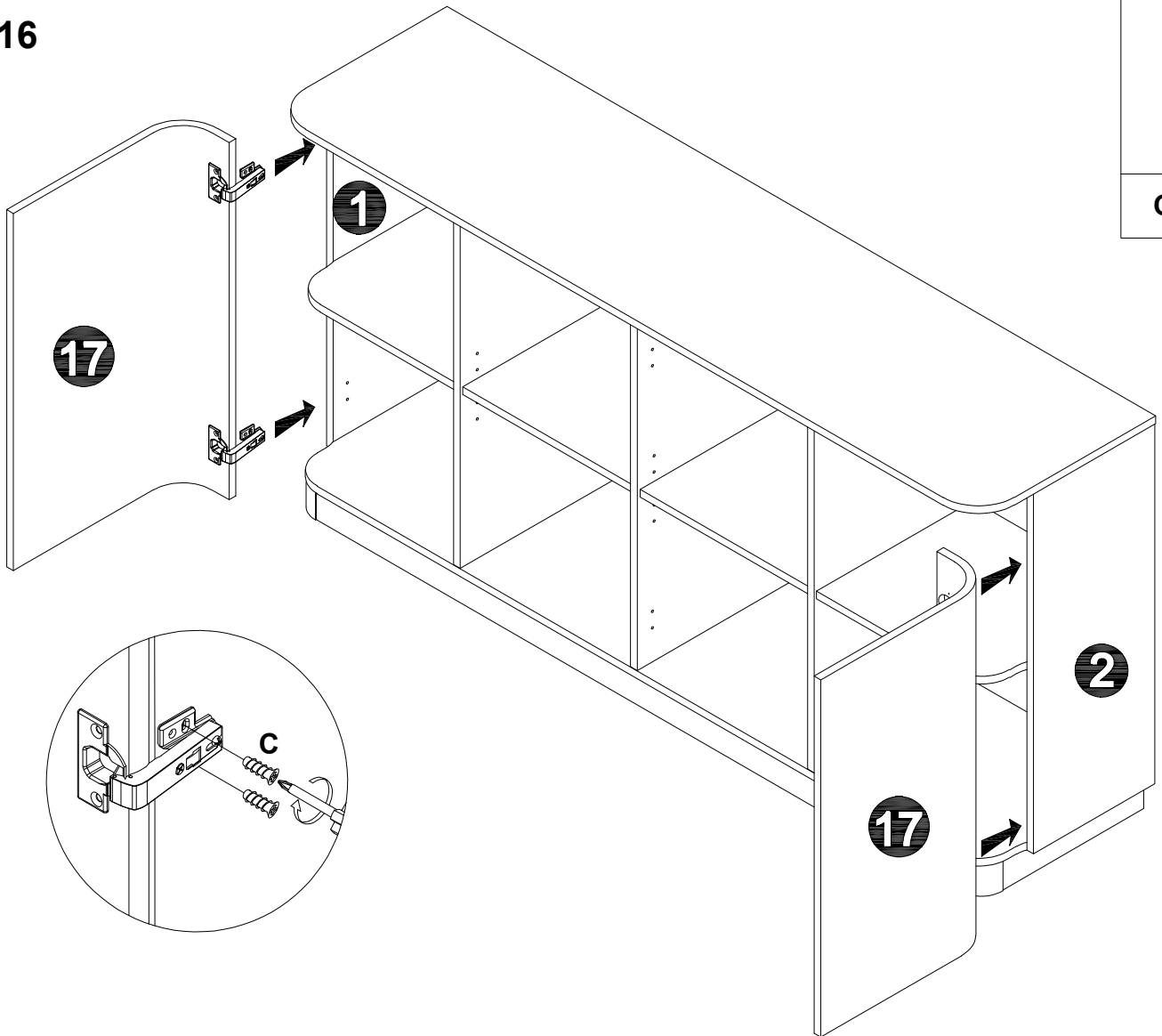
J X 4



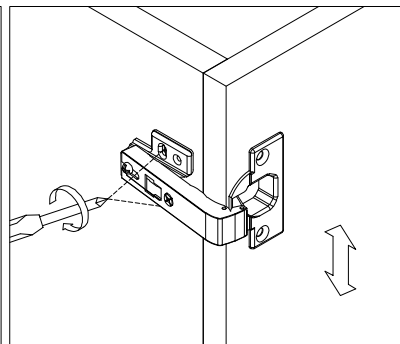
Step 16



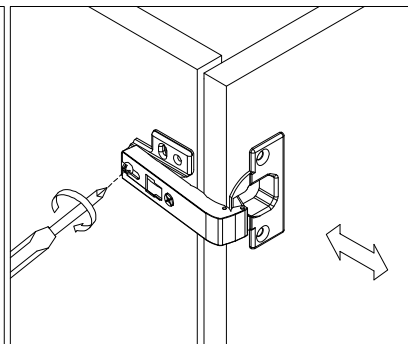
C X 8



A. Lateral adjustment by screw adjusting

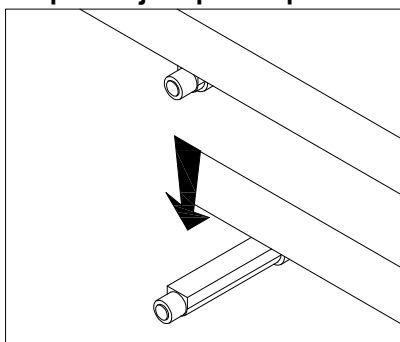


B. Vertical adjustment via slot in the mounting plate

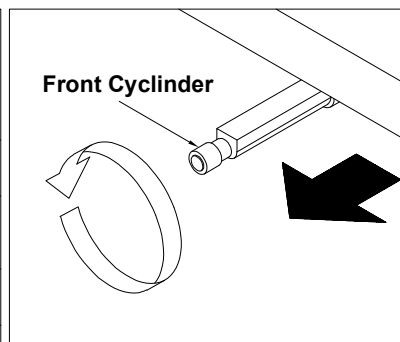


C. Front-to-Back by the slacking the hinge arm mounting screw

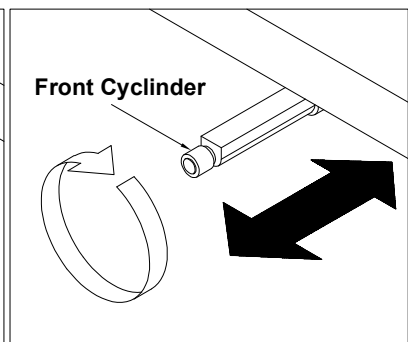
Step to adjust push-open mechanism



A. Push out the push-open mechanism at the panel.



B. Turn front cylinder counterclockwise to increase, or clockwise to decrease the door step.

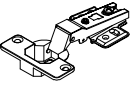


C. If the door step is uneven, adjust the front cylinder in or out until the step is even for all door.

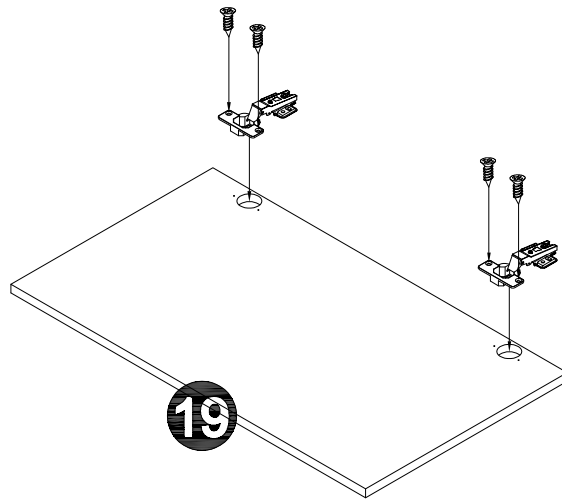
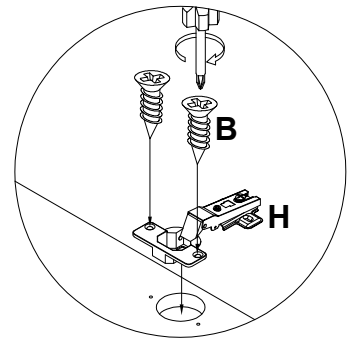
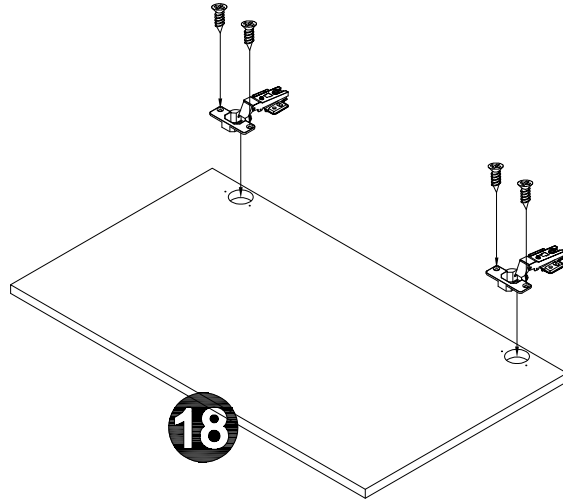
Step 17



B X 8



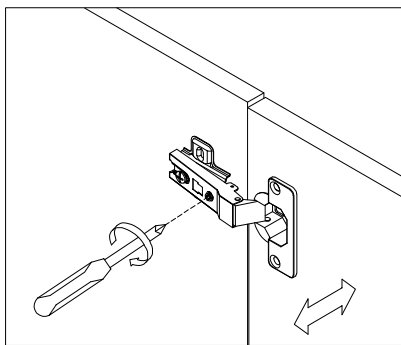
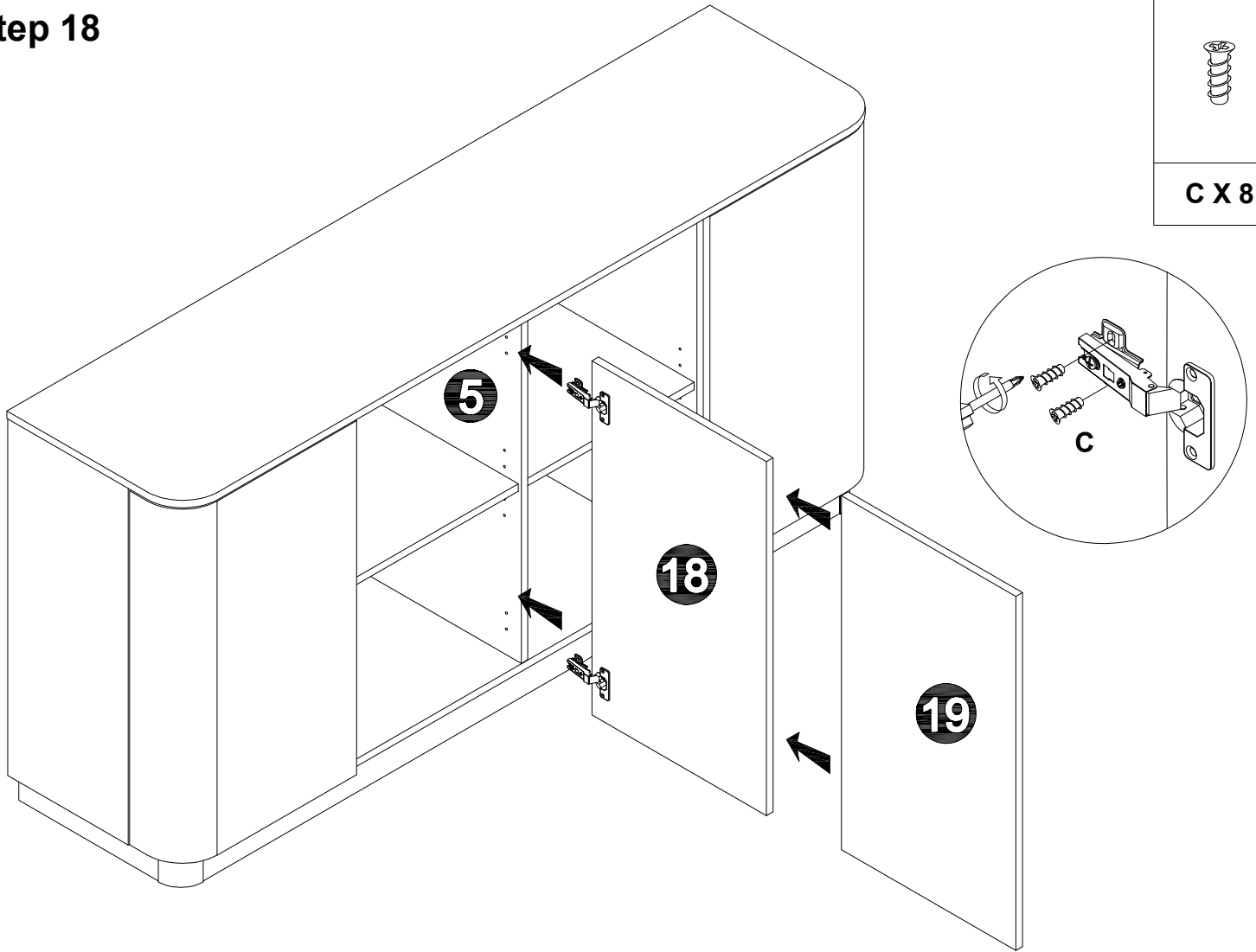
H X 4



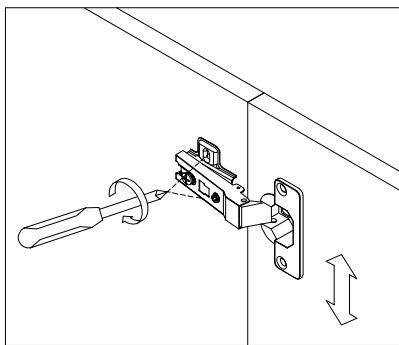
Step 18



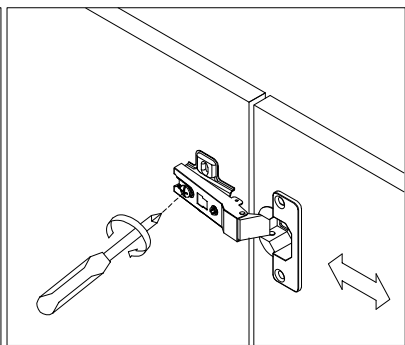
C X 8



A. Lateral adjustment by screw adjusting

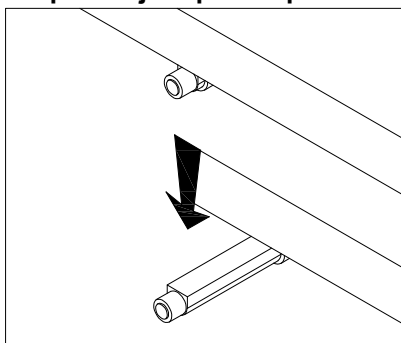


B. Vertical adjustment via slot in the mounting plate

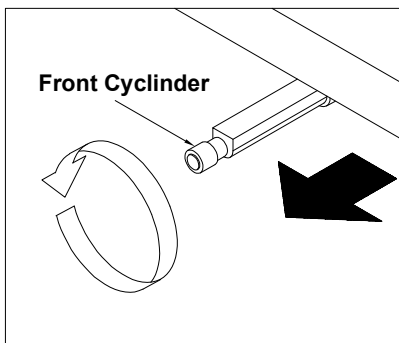


C. Front-to-Back by the slacking the hinge arm mounting screw

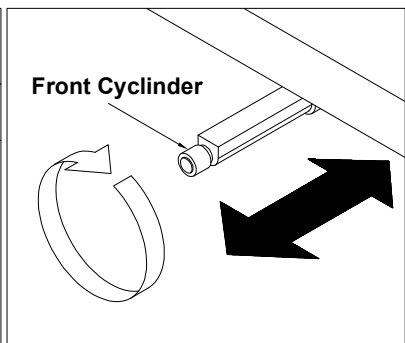
Step to adjust push-open mechanism



A. Push out the push-open mechanism at the panel.



B. Turn front cylinder counterclockwise to increase, or clockwise to decrease the door step.



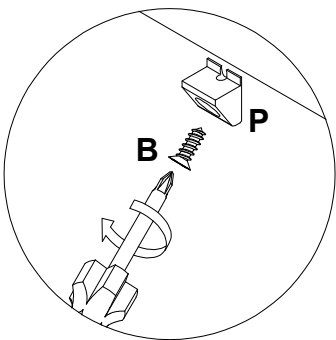
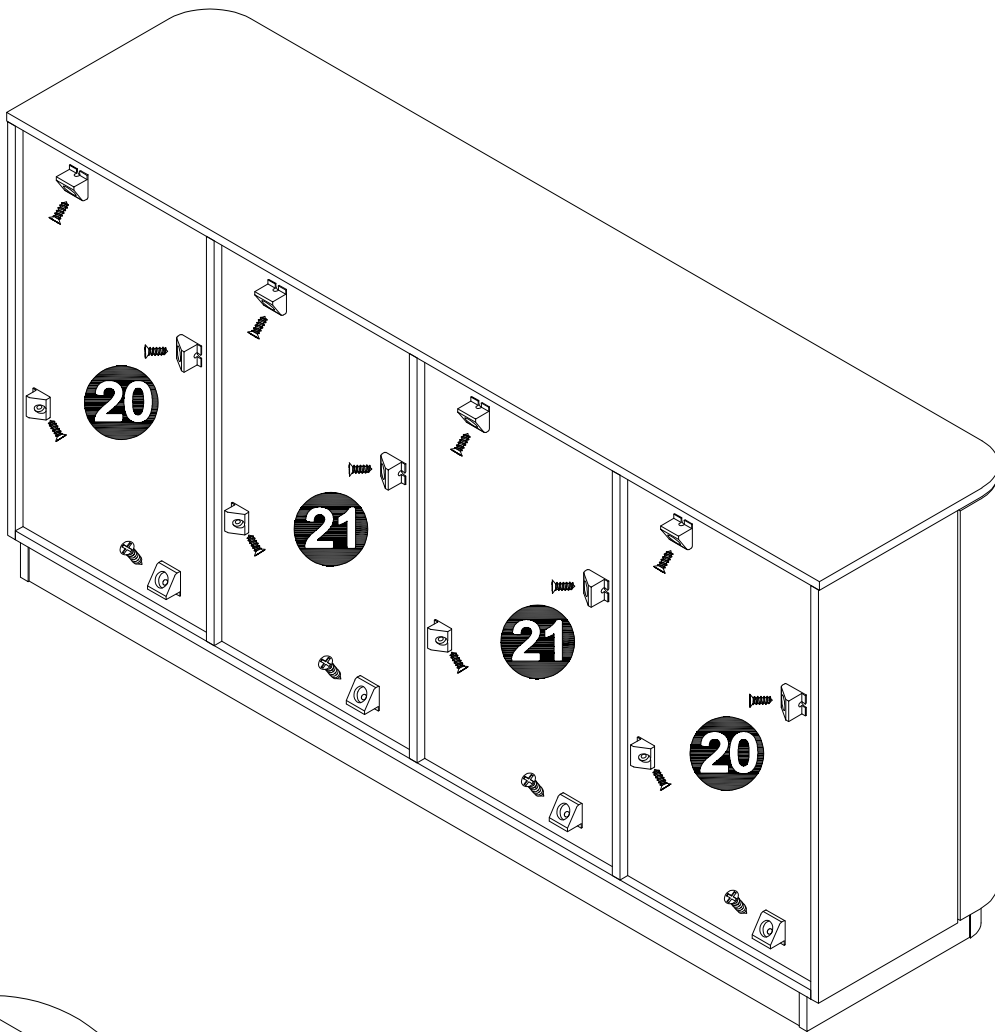
C. If the door step is uneven, adjust the front cylinder in or out until the step is even for all door.

Step 19



B X 16

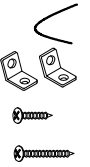
P X 16



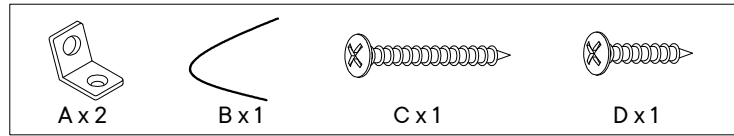
Step 20

TIPPING RESTRAINTS KIT INSTALLATION GUIDANCE

This tipping restraint is not an earthquake restraint. If you wish to add the extra security of earthquake restraints, they must be purchased and installed separately.



Q X 2



WALL

