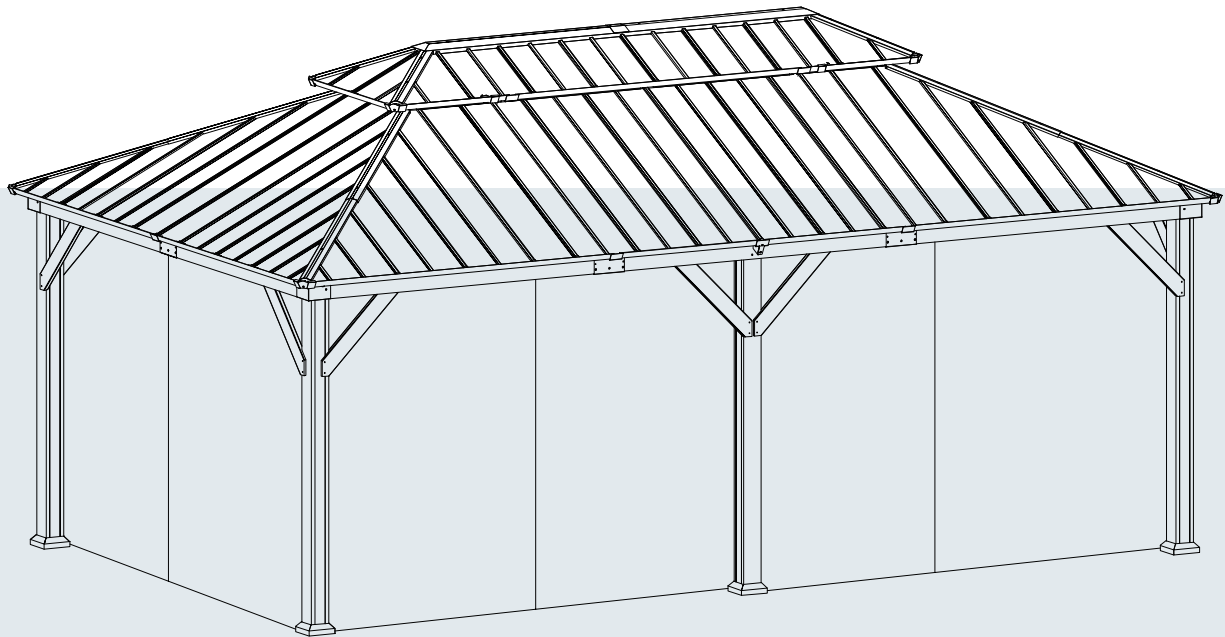


# GAZEBO

**Assembly Instruction - Please keep properly for future reference.**

If you find any missing boxes, damaged parts, or accessory shortages, please contact the customer service team of your purchasing channel immediately. We will resolve the issue as quickly as possible.



Arrive in 6 separate boxes and may not be part of the same shipment.  
Please install the product after receiving all the packages.

## CONTACT US

12X20FT

- **Email: [service@grandtunnel.com](mailto:service@grandtunnel.com)**

In order to receive assistance more quickly, please provide

## THE FOLLOWING INFORMATION:

- Order number
- Purchase platform
- Purchase date
- Detailed description of the issue along with photos (if applicable)

EN

**Important** – Please read these instructions carefully before starting the installation.

# BEFORE YOU START

---

## Owner's Manual

Prior to installation, it is important that you contact your local government authority to determine if building approval is required. Study and understand this owner's manual.

Important information and helpful tips will make your construction easier and more enjoyable.

## Assembly instructions

In structions are supplied in this manual and contain all appropriate information for your building model. Review all instructions before you begin. During assembly, follow the step sequence carefully for correct results .Please be aware: **requires four people and take 7-10 hours for installation.**

## Parts

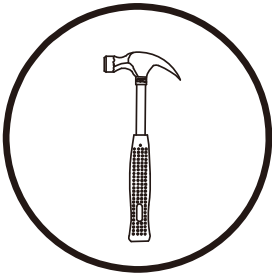
Check to be sure that you have all the necessary parts for the building.

Separate contents of the carton by the part number while reviewing parts list.

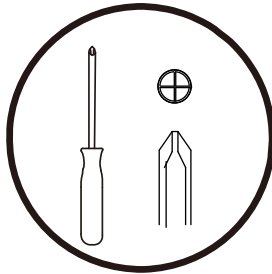
Familiarize yourself with the hardware and fasteners for easier use during construction. These are packaged within the carton. Note that extra fasteners have been supplied for your convenience.

# TOOLS MY REQUIRED

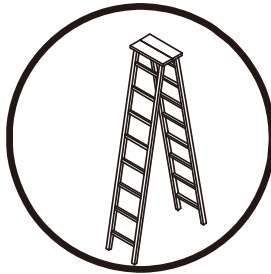
---



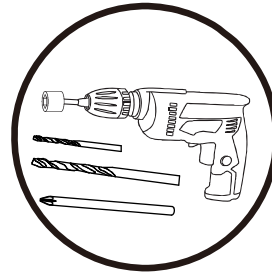
Hammer



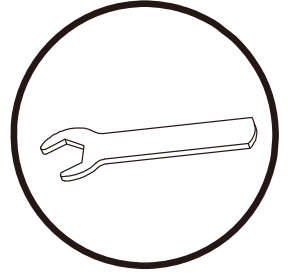
Screwdriver



Ladder



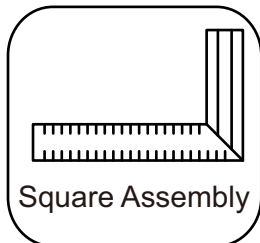
Electric screw driver



Wrench

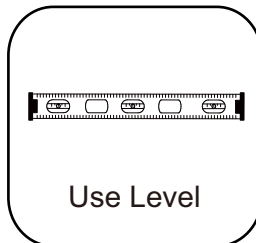


This identifies information that requires special attention. Improper assembly could lead to an unsafe or dangerous condition.



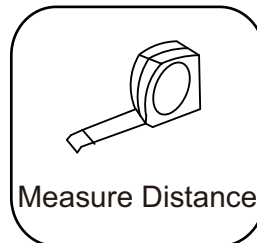
Square Assembly

Check that assembly is square before tightening bolts.

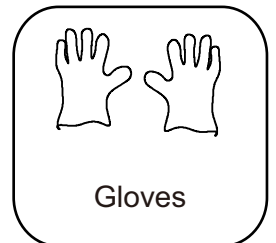


Use Level

Check that set or assembly is properly level before proceeding.



Measure Distance

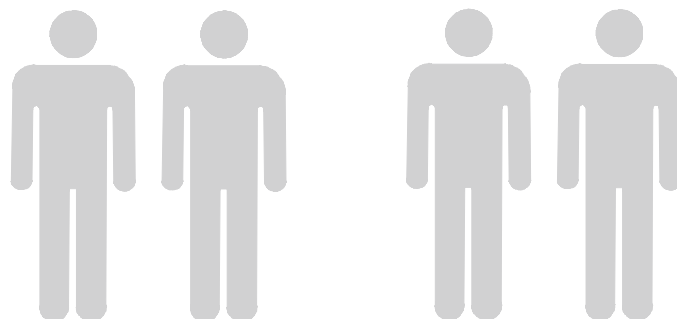


Gloves

# IMPORTANT

---

How many people needed for the installation work  
Requires Four people and take 7-10 hours for installation.



## **PLAN AHEAD**

---

### **Site Selection**

Avoid overhanging trees as much as possible as leaves will make regular cleaning necessary and broken branches are a potential hazard.

Small trees, bushes or fences nearby can be helpful, acting as a wind break.

### **Site Preparation**

The site must be prepared so that the base of the shed is level all round and checking with a spirit level is required.

The base can be constructed by treated timber or concrete, in order to stop the moisture getting into the shed.

**The shed is not designed to be built onto lawn directly.** Also the ground will get muddy during rainy days.

If a concrete pad is made, it is important that this slopes towards the edges to prevent water ingress.

Time must be allowed for any concrete or cement to dry before building the shed on top.

Bases can also be constructed from bricks, blocks, or mounted on a concrete pad.

The bricks or blocks should be cemented onto firm and level concrete footings and the greenhouse frame drilled and screwed to the base.

## **IMPORTANT NOTES:**

---

Find someone to help you: it is much easier with someone to hold parts, pass tool sect. Also some steps require two people to lift structures together. This is not very heavy work so would suit most able-bodied people.

Allow plenty of time: rushing often causes errors and the re-doing of incorrect assemblies. If you have never built a shed before, it can take most of a day to carefully complete the construction.

Have the right tools to hand.

Safety clothing as recommended in the 'Tools' section.

Ideally let out the parts and check that all are present before commencing construction. Lay on cloths or plastic sheets if there is any risk of scratching the parts.

Tighten all nuts carefully, being sure not to miss any. Check the frame is square and using a spirit level to check that it is upright.

For your safety concern, please do not stand under the metal shed in heavy wind or snow days.

For safety, please use expansion screws to reinforce the posts to the ground.

Please clear the snow off the roof in time for the heavy snowfall.

Make sure all screws are tightened before use.

Repeat to confirm all screws, buckles and straps every 90 days.

Please keep all screws loose during the assembly process and tighten them after completing the installation.

Do not use or store objects in the Metal Shed with open flames or flammable chemicals.

Please note that some parts have sharp edges and should be handled with gloves.

If any parts are missing, broken, damaged or worn, discontinue use of the product until repairs are made or factory replacement parts are installed.

Installation of the product in a manner that does not conform to the manufacturer's instructions may result in the loss of the warranty policy for this product.

# CUSTOMER SERVICE GUIDE

Thank you for choosing our product! We are committed to providing you with excellent service. If you find any missing parts, damaged packaging, or product damage after receiving all packages, please follow the steps below to quickly contact our customer service team. We will do our best to resolve your issue.

## 1. Missing Parts

### Verify Parts:

1. Refer to the “Parts List” in the manual to verify the name, specifications, and quantity of the missing parts.
2. Take a clear photo of the parts list and mark the missing parts with detailed information, e.g., “Missing 5 pieces of M6x30mm screws.”

### Contact Us:

- By Email:

Send an email to [service@grandtunnel.com](mailto:service@grandtunnel.com), with the subject line “Missing Parts Issue.” Include the following in the email:

- A description of the missing parts and a photo of the parts list.
- Order details (order number, purchase platform, purchase date).

## 2. Product or Packaging Damage

### If it affects normal use:

#### Steps:

1. Take clear photos or videos showing the damaged parts and the extent of the damage (multi-angle shots are recommended).
2. Email the photos/videos along with other details to [service@grandtunnel.com](mailto:service@grandtunnel.com), with the subject line “Product Damage Issue.”

#### Resolution:

After verification, we will arrange for a replacement part, product exchange, or refund as quickly as possible.

### If it does not affect normal use:

#### Steps:

1. Contact our customer service team (by email: [service@grandtunnel.com](mailto:service@grandtunnel.com)).
2. Provide a description of the damage and include relevant photos or videos.

#### Resolution:

We will provide repair guidance or an appropriate compensation plan based on the specific situation.

### Contact Us:

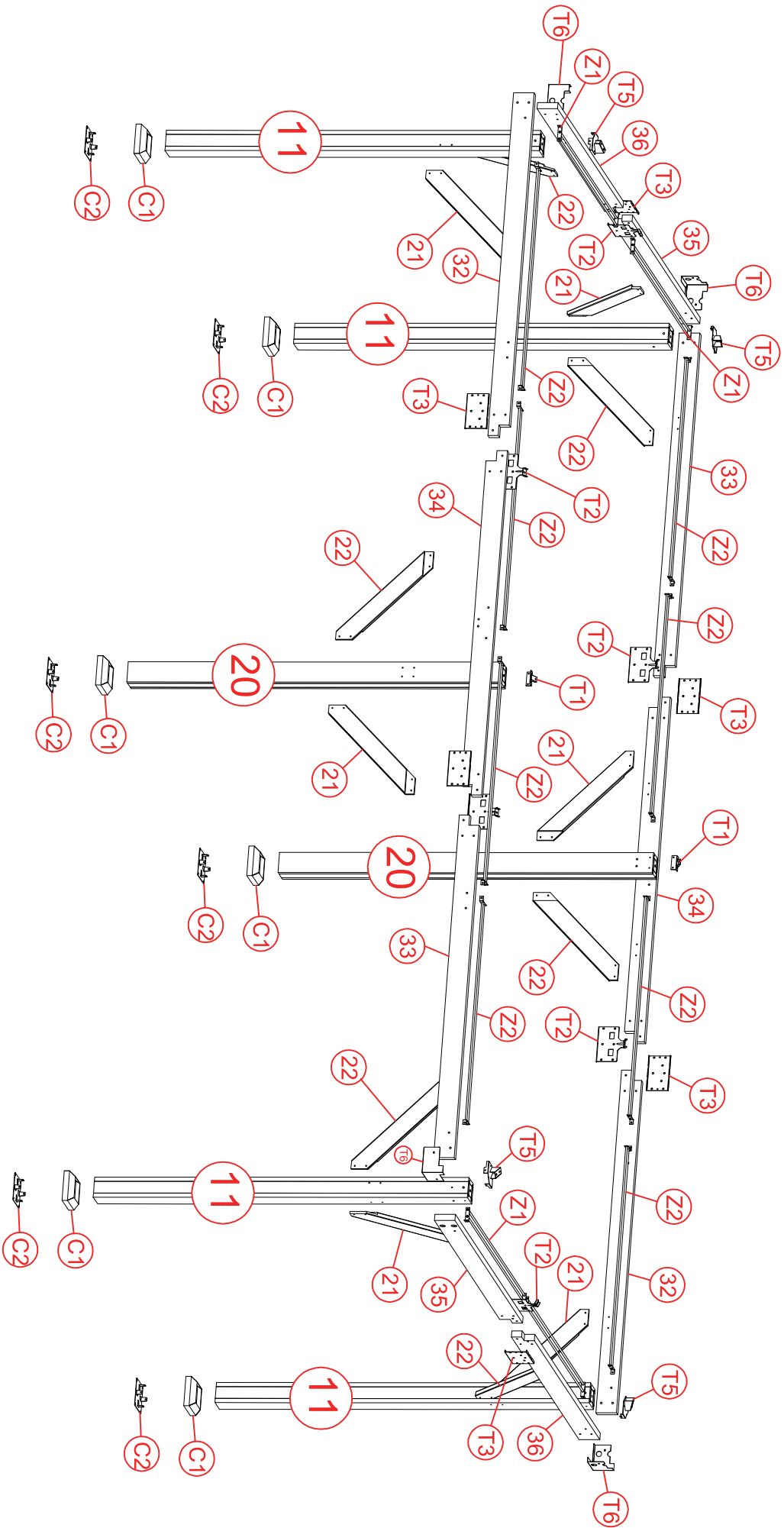
- Customer Service Email: [service@grandtunnel.com](mailto:service@grandtunnel.com)

## Helpful Tips

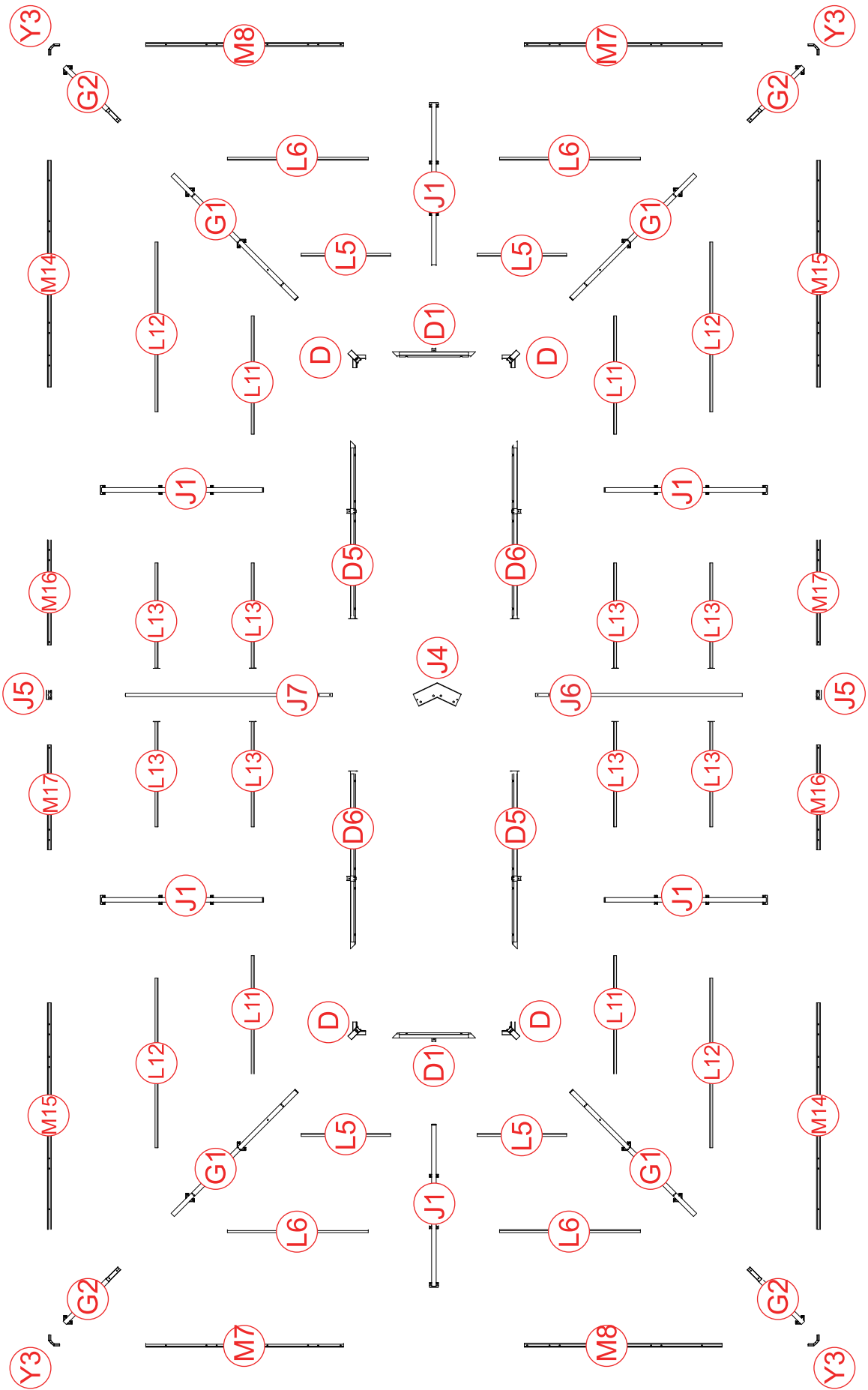
To process your issue efficiently, please prepare the following information:

- Order details (order number, purchase platform, purchase date).
- Clear photos or videos.
- We are committed to providing quick and professional solutions, no matter the size of the issue, to ensure your satisfaction.

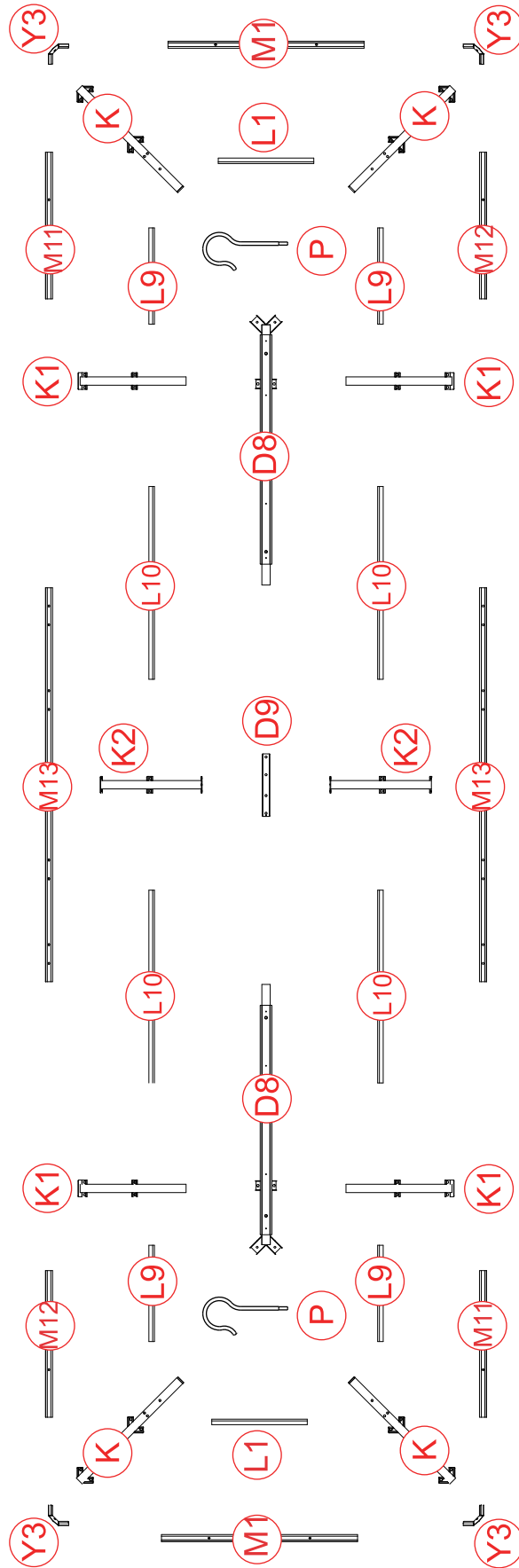
Thank you for your trust and support! We hope you enjoy using our product!



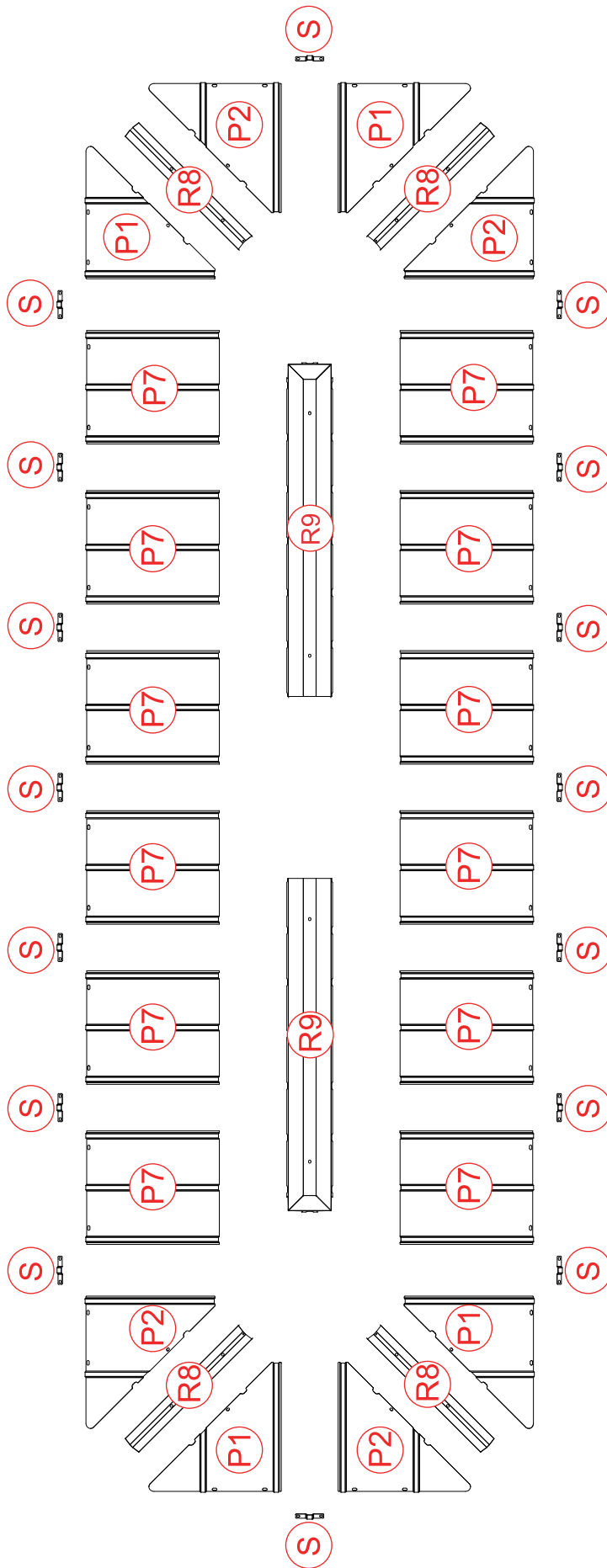
# SECOND PART



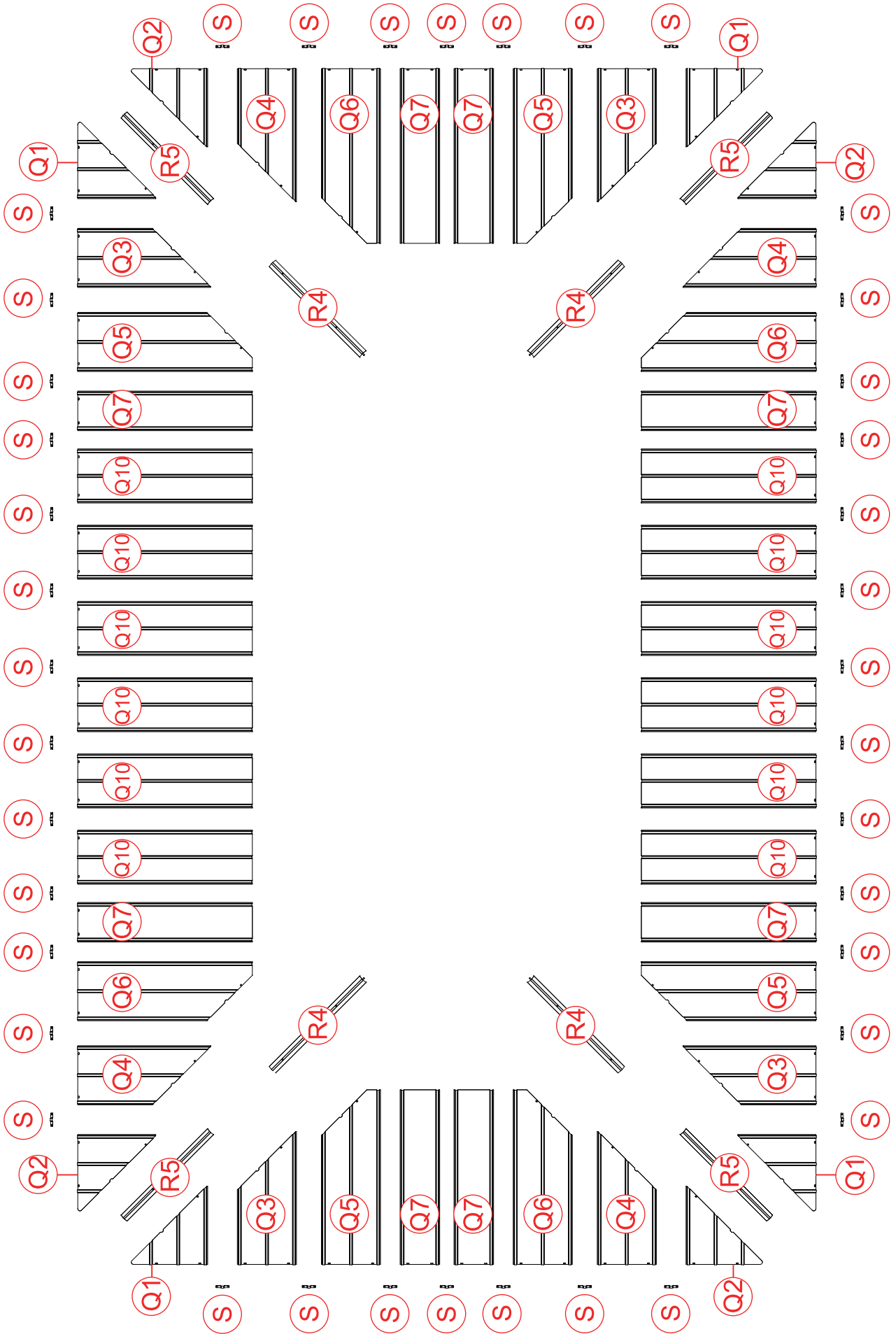
# THIRD PART



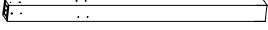

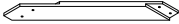
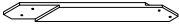
# FOURTH PART



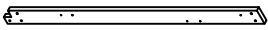
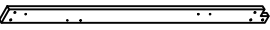
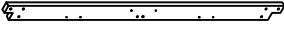
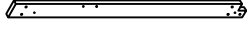
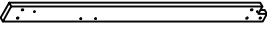

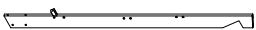
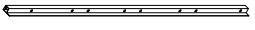
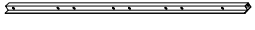





# FIFTH PART







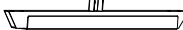
Parts List (Box 1)


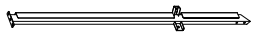
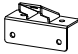
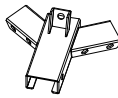


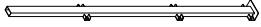
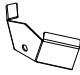


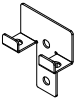
(11)	(20)	(21)	(22)	
				
x4	x2	x6	x6	

Parts List (Box 2)

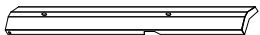
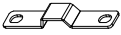

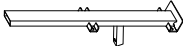
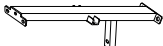
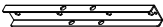
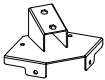
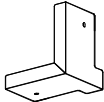
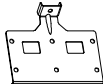
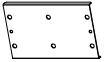





(32)	(33)	(34)	(35)	(36)
				
x2	x2	x2	x2	x2
(J6)	(J7)	(M7)	(M8)	(M13)
				
x1	x1	x2	x2	x2
(M14)	(M15)	(Z1)	(Z2)	
				
x2	x2	x4	x8	




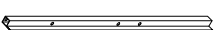


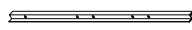
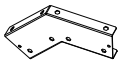
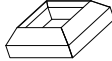
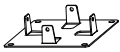
Parts List (Box 3)

(R9)	(R4)	(R5)	(D8)	(D1)
				
x2	x4	x4	x2	x2

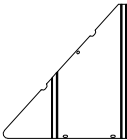
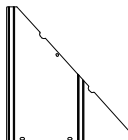
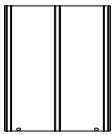
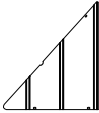
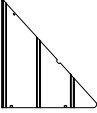


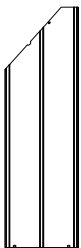
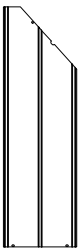
(D5) 	(D6) 	(T1) 	(D) 	(G1) 
x2	x2	x2	x4	x4
(G2) 	(J1) 	(Y3) 	(P) 	(L12) 
x4	x6	x8	x2	x4
(J5) 				
x2				

Parts List (Box 4)

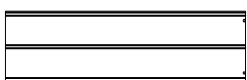
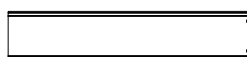
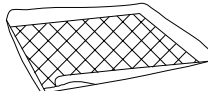
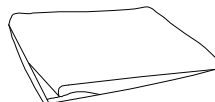
(R8) 	(S) 	(K) 	(K1) 	(K2) 
x4	x56	x4	x4	x2
(D9) 	(T5) 	(T6) 	(T2) 	(T3) 
x1	x4	x4	x6	x6
(L1) 	(L9) 	(L10) 	(L5) 	(L6) 
x2	x4	x4	x4	x4

<p>(L11)</p> 	<p>(L13)</p> 	<p>(M1)</p> 	<p>(M11)</p> 	<p>(M12)</p> 
<p>x4</p>	<p>x8</p>	<p>x2</p>	<p>x2</p>	<p>x2</p>
<p>(M16)</p> 	<p>(M17)</p> 	<p>(J4)</p> 	<p>(C1)</p> 	<p>(C2)</p> 
<p>x2</p>	<p>x2</p>	<p>x1</p>	<p>x6</p>	<p>x6</p>

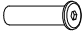


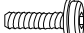
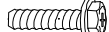




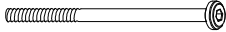



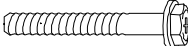
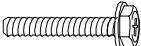
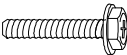


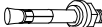



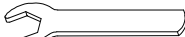

Parts List (Box 5)

<p>(P1)</p> 	<p>(P2)</p> 	<p>(P7)</p> 	<p>(Q1)</p> 	<p>(Q2)</p> 
<p>x4</p>	<p>x4</p>	<p>x12</p>	<p>x4</p>	<p>x4</p>
<p>(Q3)</p> 	<p>(Q4)</p> 	<p>(Q5)</p> 	<p>(Q6)</p> 	
<p>x4</p>	<p>x4</p>	<p>x4</p>	<p>x4</p>	

Parts List (Box 6)

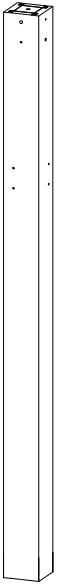
<p>(Q10)</p> 	<p>(Q7)</p> 	<p>(U5)</p> 	<p>(V5)</p> 	
<p>x12</p>	<p>x8</p>	<p>x1</p>	<p>x1</p>	

Parts List (Box 6)

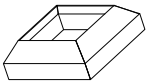
<p>(BB)</p>  <p>M6x20</p>	<p>(CC)</p>  <p>M6x35</p>	<p>(DD)</p>  <p>M6</p>	<p>(EE)</p>  <p>M6x30</p>	<p>(FF)</p>  <p>M6x20</p>
<p>×60+3</p>	<p>×16+1</p>	<p>×4+1</p>	<p>×60+3</p>	<p>×294+12</p>
<p>(GG)</p>  <p>M6x15</p>	<p>(H4)</p>  <p>M5x25</p>	<p>(H5)</p>  <p>M6</p>	<p>(H6)</p>  <p>M8x70</p>	<p>(H7)</p>  <p>M8x170</p>
<p>×78+5</p>	<p>×48+5</p>	<p>×52+5</p>	<p>×8+1</p>	<p>×12+2</p>
<p>(H8)</p>  <p>M6x30</p>	<p>(H9)</p>  <p>M8</p>	<p>(HH)</p> 	<p>(JJ)</p>  <p>M6x55</p>	<p>(KK)</p>  <p>M6x45</p>
<p>×48+5</p>	<p>×56+5</p>	<p>×152+10</p>	<p>×4+1</p>	<p>×4+1</p>
<p>(QQ)</p>  <p>M6x40</p>	<p>(LL)</p>  <p>M8</p>	<p>(RR)</p>  <p>M4x16</p>	<p>(UU)</p>  <p>M6x80</p>	<p>(PP)</p>  <p>D8x180</p>
<p>×20+3</p>	<p>×12+2</p>	<p>×8+2</p>	<p>×12</p>	<p>×12</p>
<p>(Z1)</p>  <p>M6</p>	<p>(Z2)</p>  <p>M6</p>	<p>(Z3)</p>  <p>M8</p>	<p>(Z4)</p>  <p>M8</p>	
<p>×2</p>	<p>×2</p>	<p>×2</p>	<p>×2</p>	

# 1

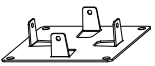
As shown in the diagram, slide (C1) onto the bottom of (11).  
Then insert (C2) into the bottom of (11) as shown and secure it with screw (H4).



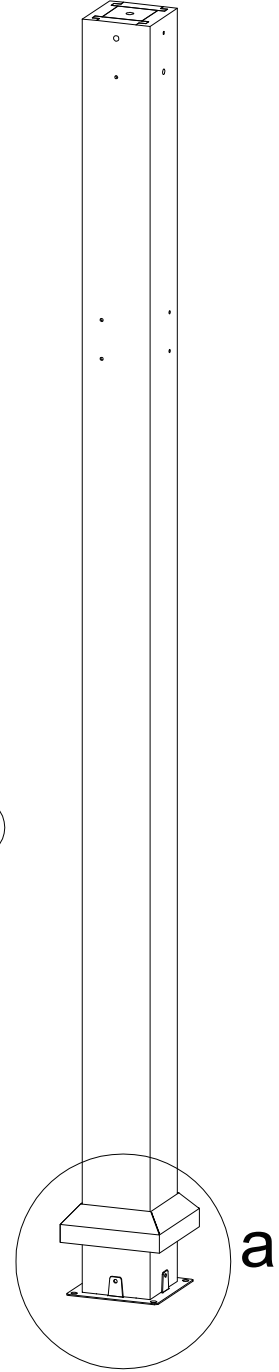
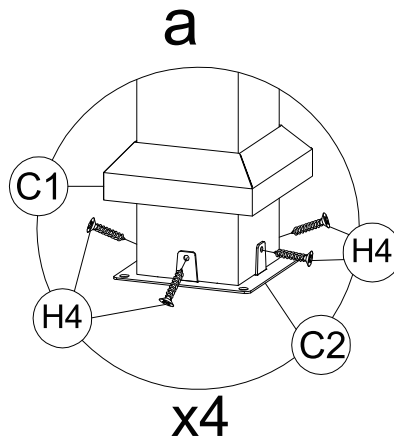
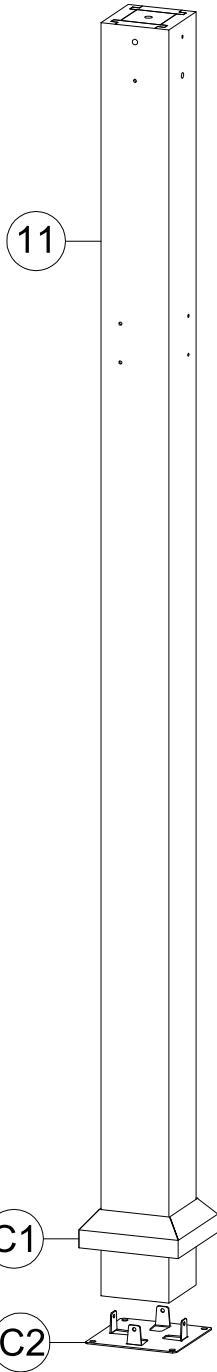
(11) x4



(C1) x4



(C2) x4



(H4) x16



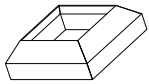
M5x25

# 2

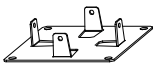
Slide (C1) onto the bottom of (20).  
Then insert (C2) into the bottom of (20) as shown and secure it with screw (H4).  
Finally, place (T1) on top of (20), align the holes, and secure it with screw (H4).



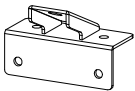
(20) x2



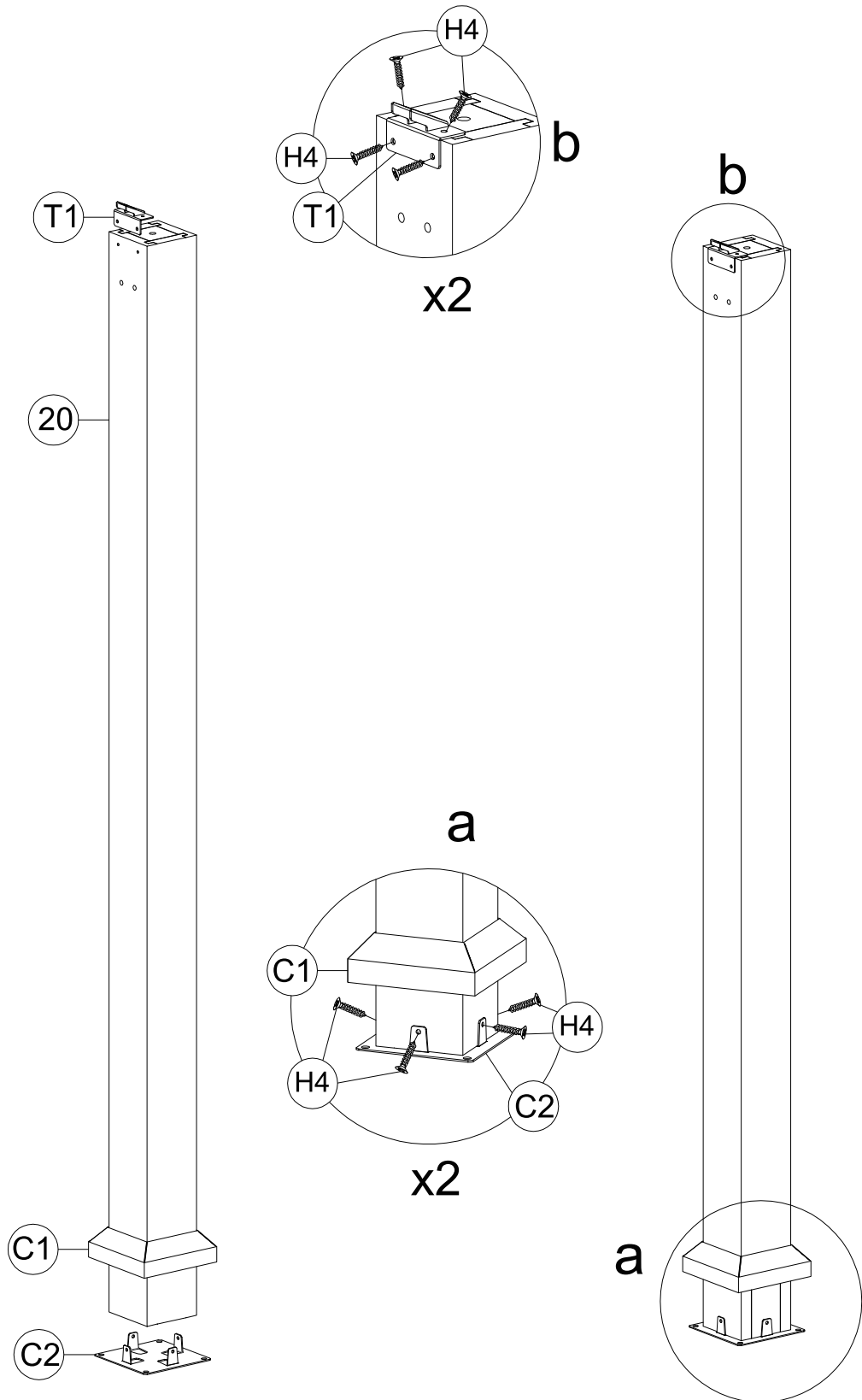
(C1) x2



(C2) x2



(T1) x2



(H4) x16



M5x25

# 3

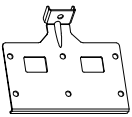
Connect (35) and (36) together.  
As shown in the diagram, align (T2) and (T3) with the holes and secure with screws (EE) and connectors (BB).



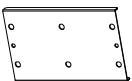
(35) x2



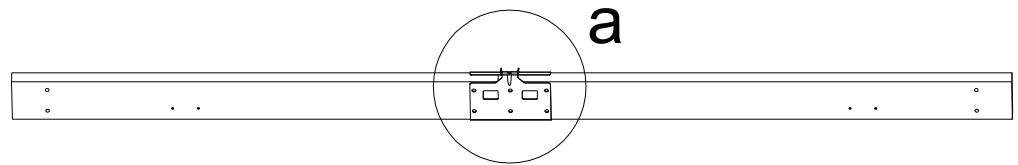
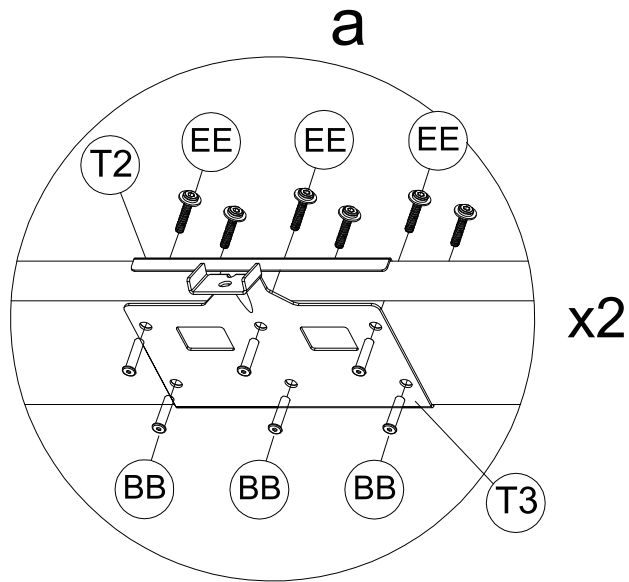
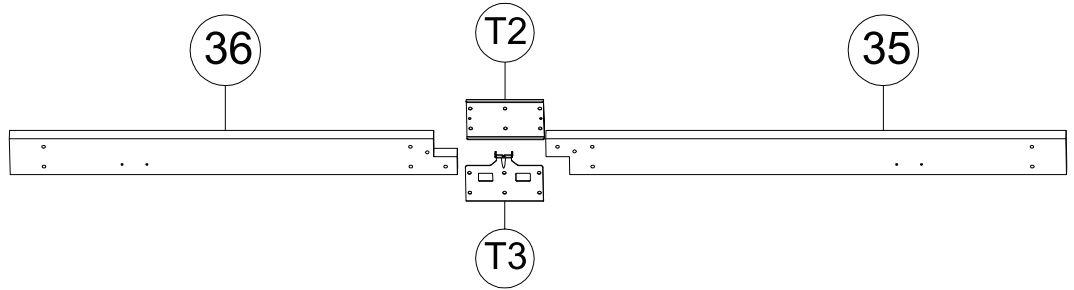
(36) x2



(T2) x2



(T3) x2

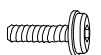


(BB) x12



M6x20

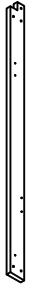
(EE) x12



M6x30

# 4

Connect (32), (33), and (34) together.  
As shown in the diagram, align (T2) and (T3) with the holes and secure with screws (EE) and connectors (BB).



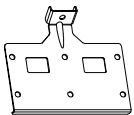
(33) x2



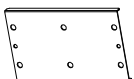
(32) x2



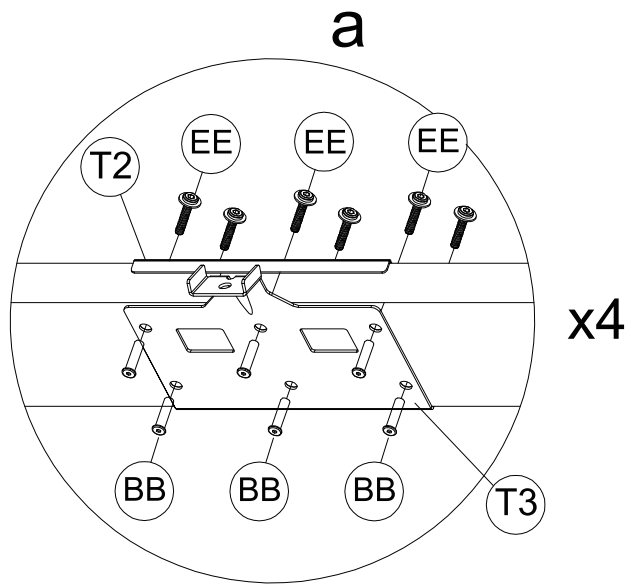
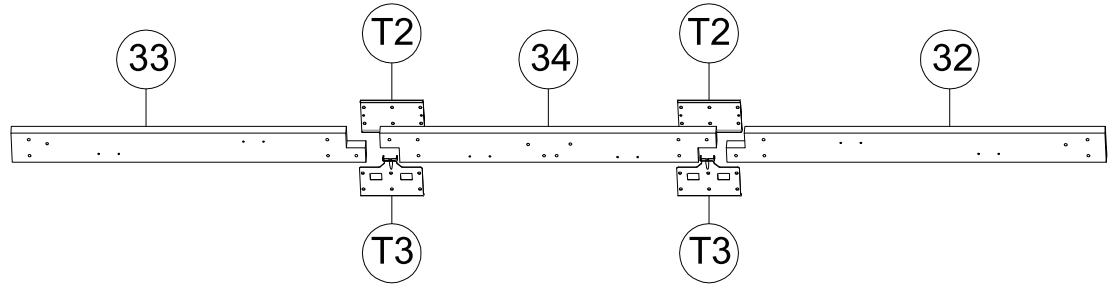
(34) x2



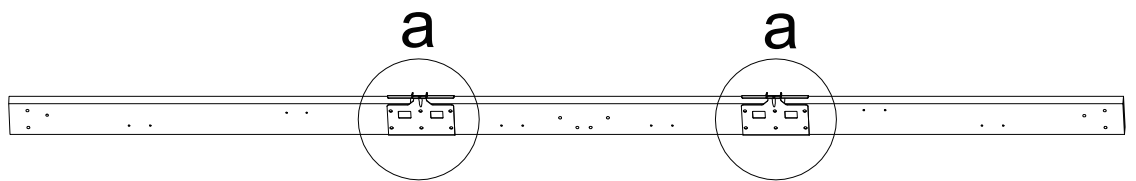
(T2) x4



(T3) x4



x4



a

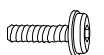
a

(BB) x24



M6x20

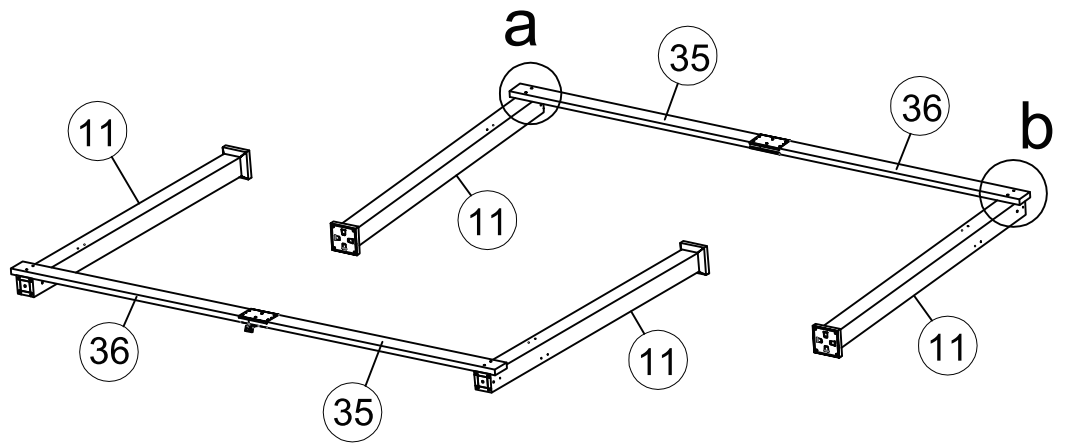
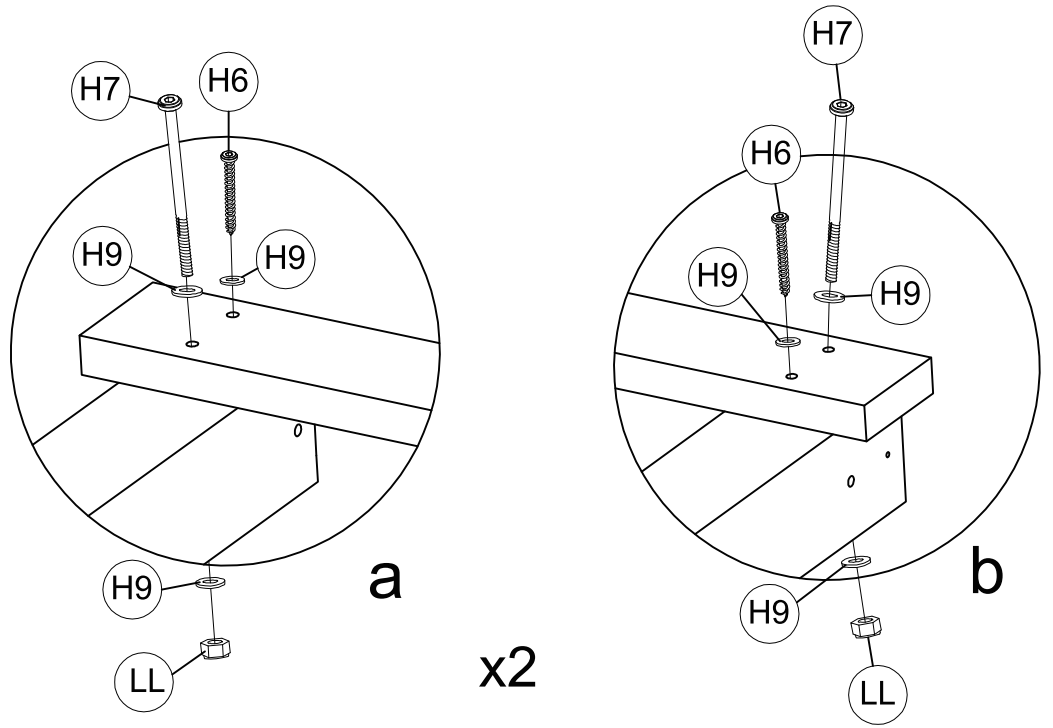
(EE) x24




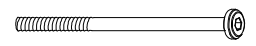


M6x30

# 5

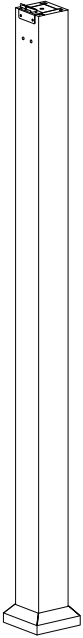
As shown in the diagram, place (11) flat on the ground. Then align the assembled part from Step 3 with its holes and secure with screws (H7), (H6), washers (H9), and nuts (LL).



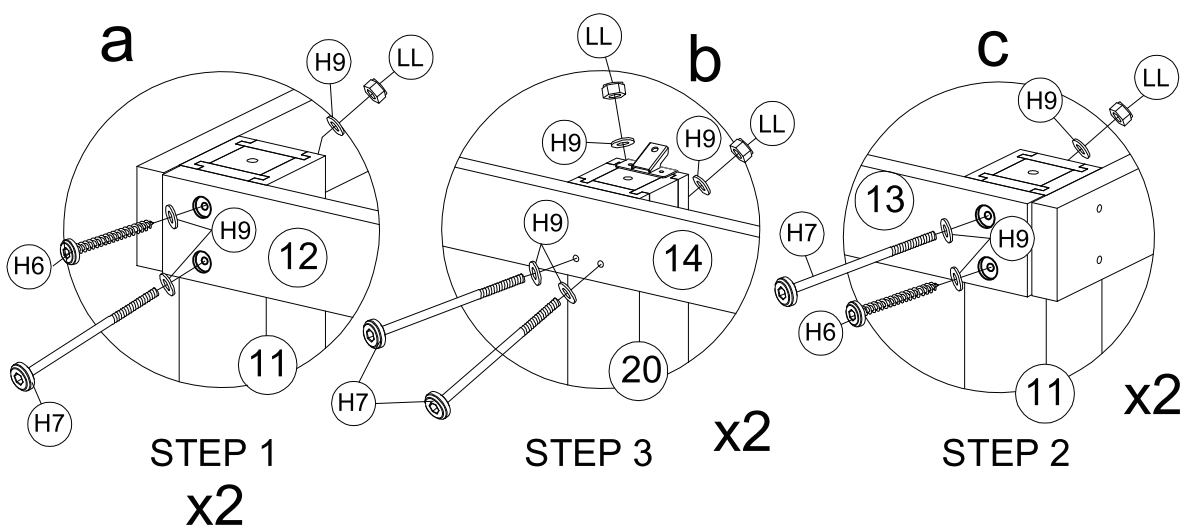
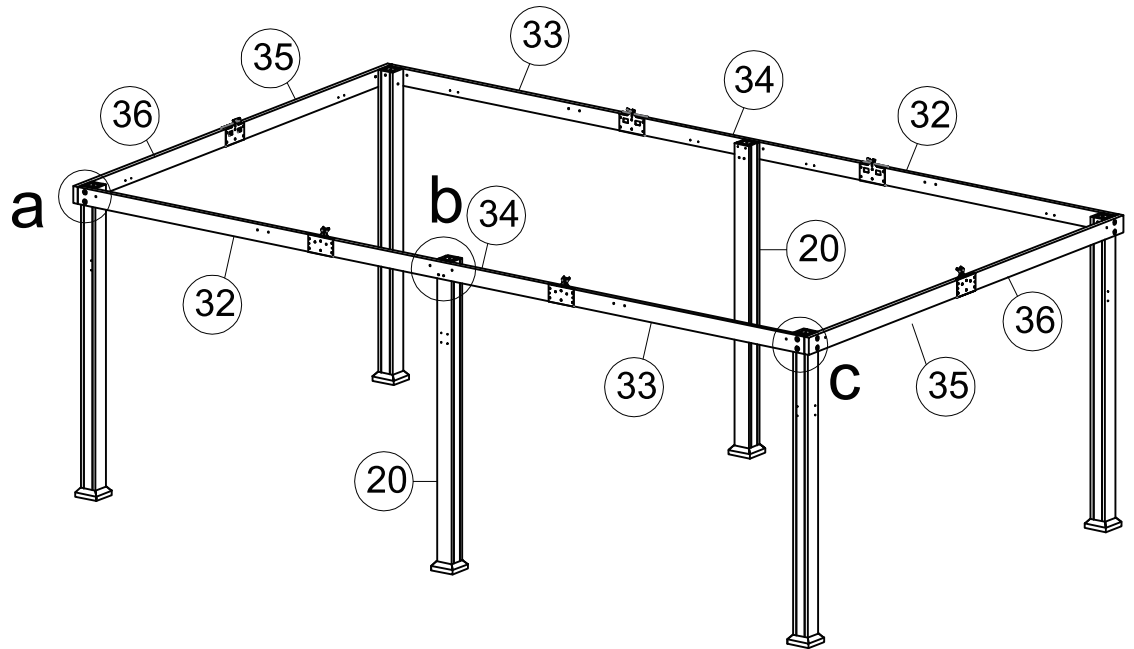
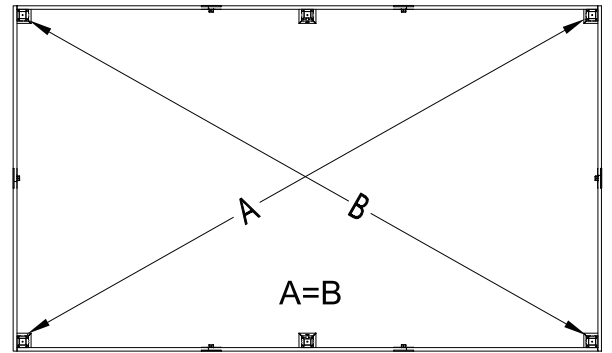
<p>(H6) x4</p>  <p>M8x70</p>	<p>(H9) x12</p>  <p>M8</p>	<p>(LL) x4</p>  <p>M8</p>	<p>(H7) x4</p>  <p>M8x170</p>
---	---	--	--

# 6

As shown in the diagram, align the assembled part from Step 4 with the holes and secure with screws (H6), (H7), washers (H9), and nuts (LL). Then align the assembled part (20) from Step 2 with the holes and secure with screws (H7), washers (H9), and nuts (LL).



20 x2



H6 x4



M8x70

H9 x20



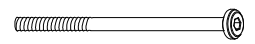
M8

LL x8



M8

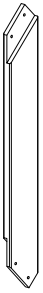
H7 x8



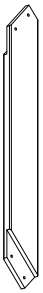
M8x170

# 7

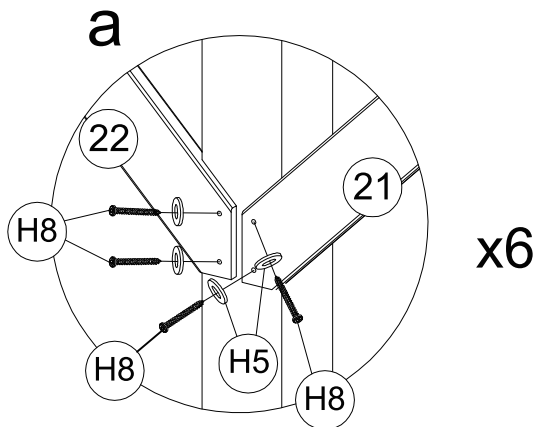
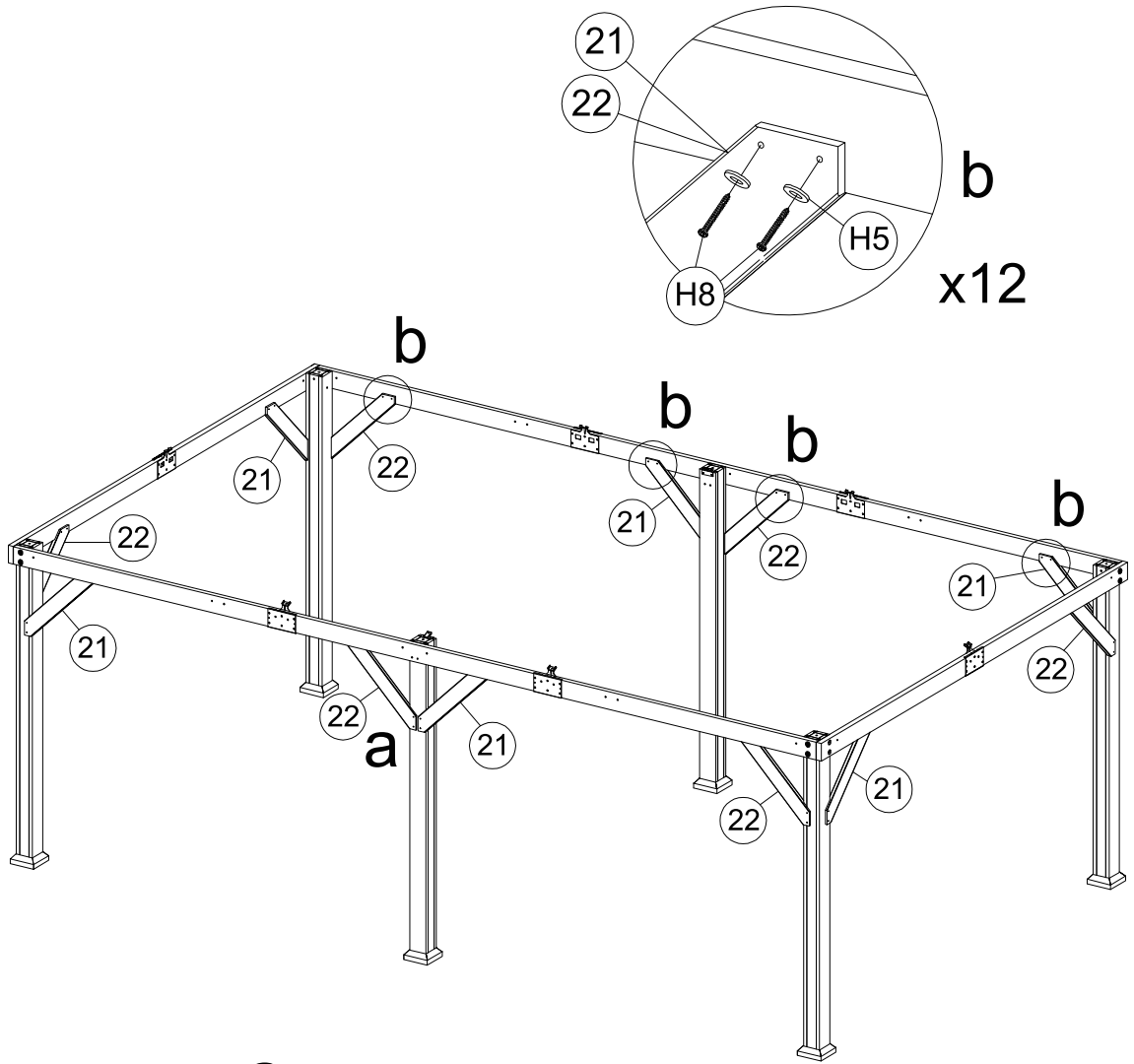
As shown in the diagram, align (21) and (22) with the holes and secure with screws (H8) and washers (H5).



21 x6



22 x6



H8 x48



M6x30

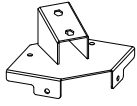
H5 x48



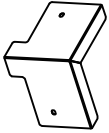
M6

8

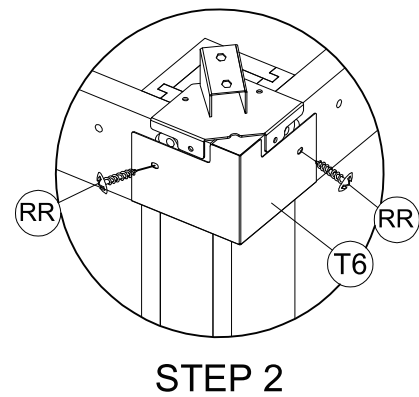
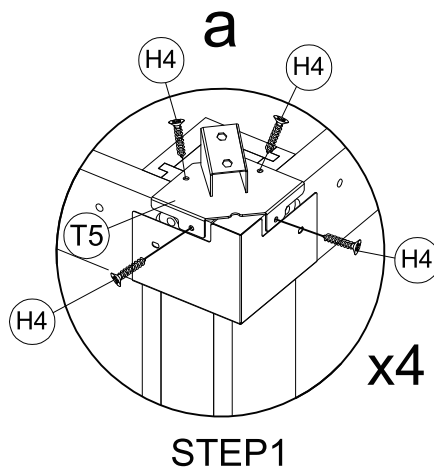
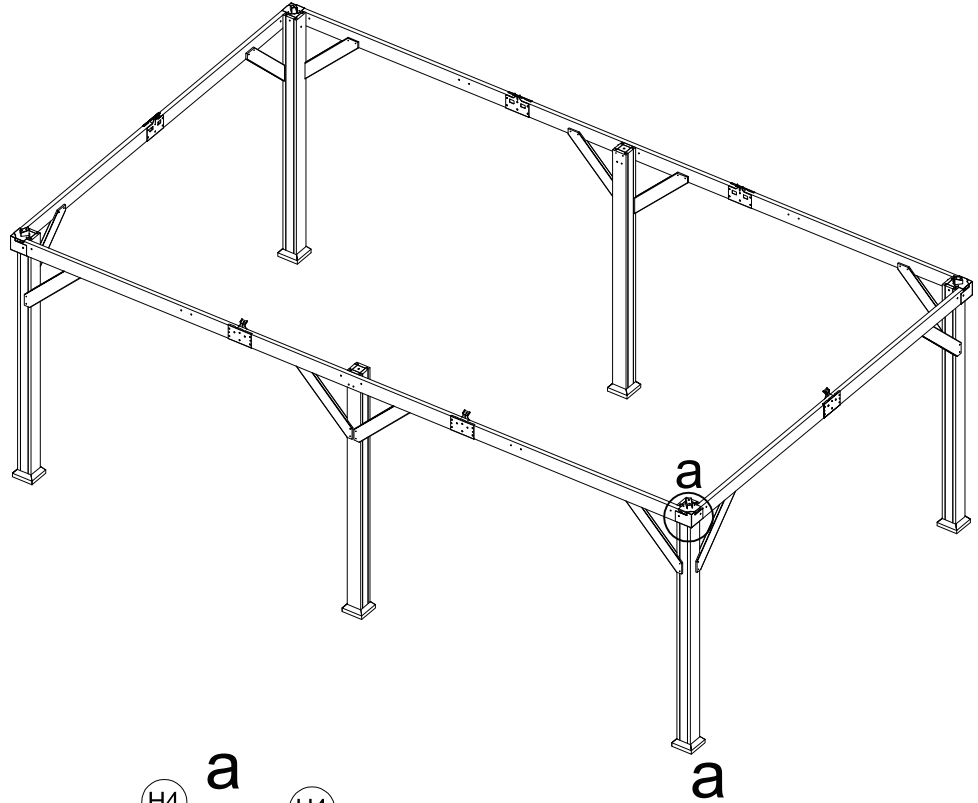
As shown in the diagram, first align (T5) with the holes and secure with screw (H4).  
Then align (T6) with the holes and secure with screw (RR).



T5 x4



T6 x4



H4 x16



M5x25

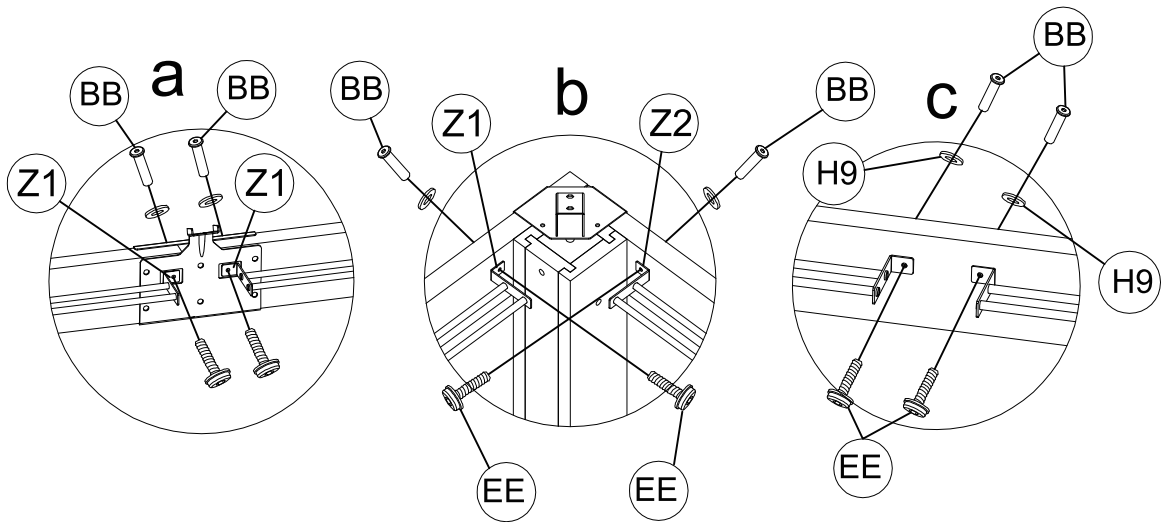
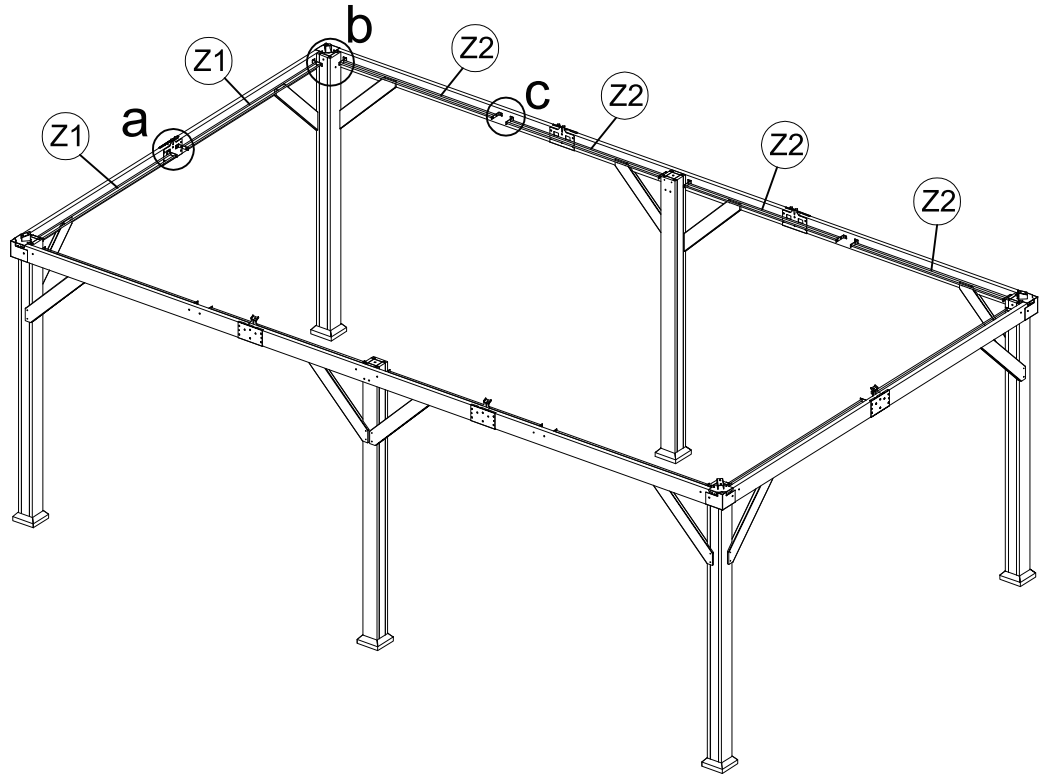
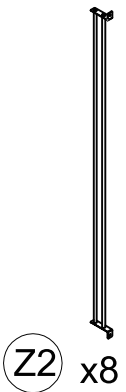
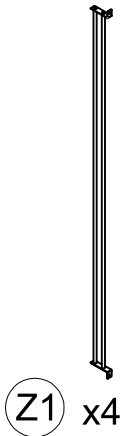
RR x8


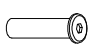
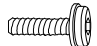


M4x16

# 9

As shown in the diagram, align (Z1) and (Z2) with the holes and secure with screws (EE), connectors (BB), and washers (H9).



<p>(H9) x24</p>  <p>M8</p>	<p>(BB) x24</p>  <p>M6x20</p>	<p>(EE) x24</p>  <p>M6x30</p>
---	--	--

# 10

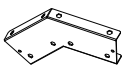
As shown in the diagram, insert (J4) into (J6), align the holes, and secure with screws (FF).  
Then align (J7) with (J4) and secure with screws (FF).



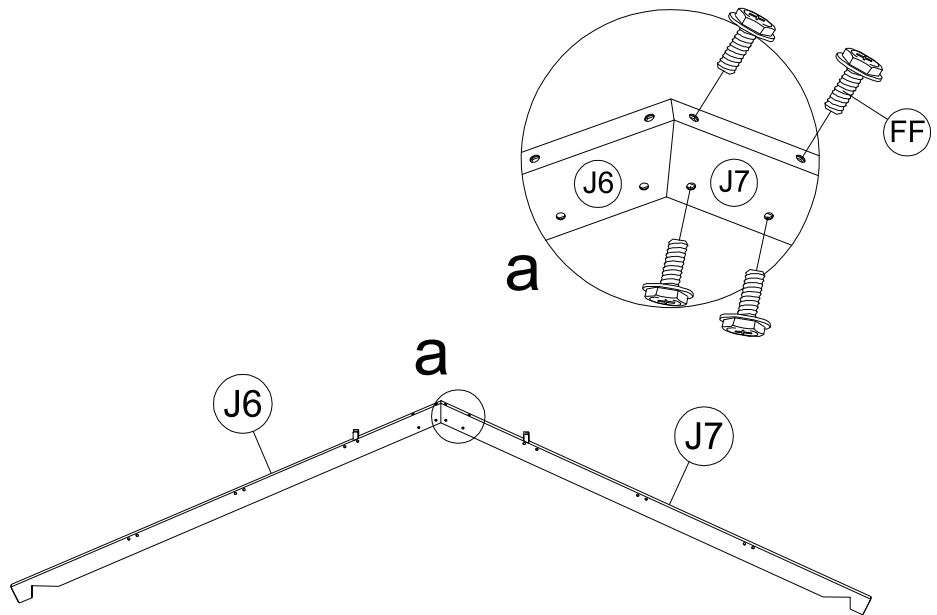
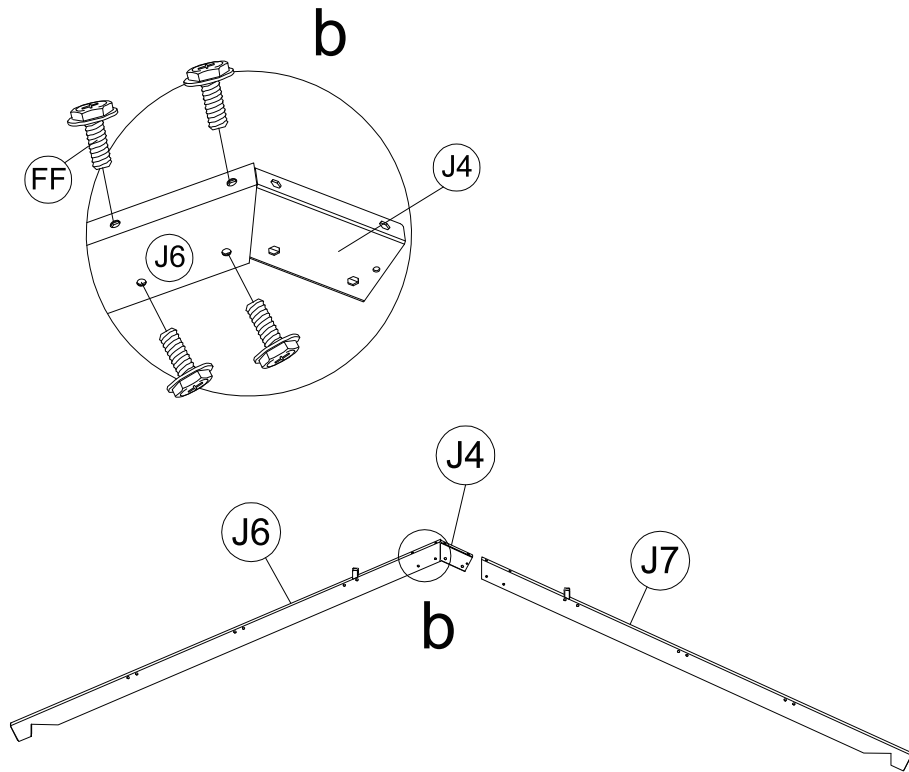
(J6) x1



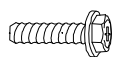
(J7) x1



(J4) x1



(FF) x8



M6x20

# 11

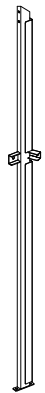
As shown in the diagram, insert (D6), (D5), and (D1) into (D), align the holes, and secure with screws (FF).



(D) x4



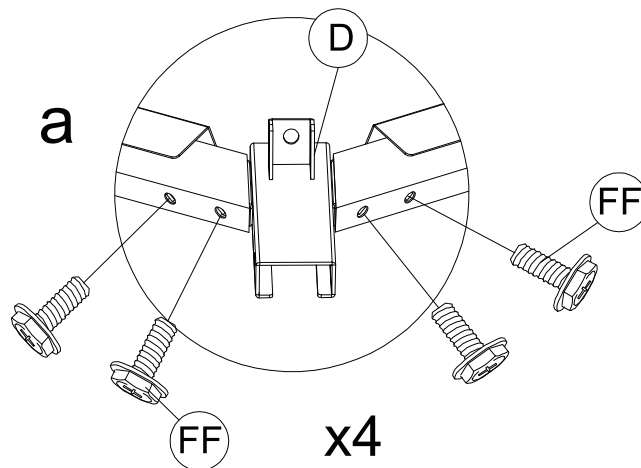
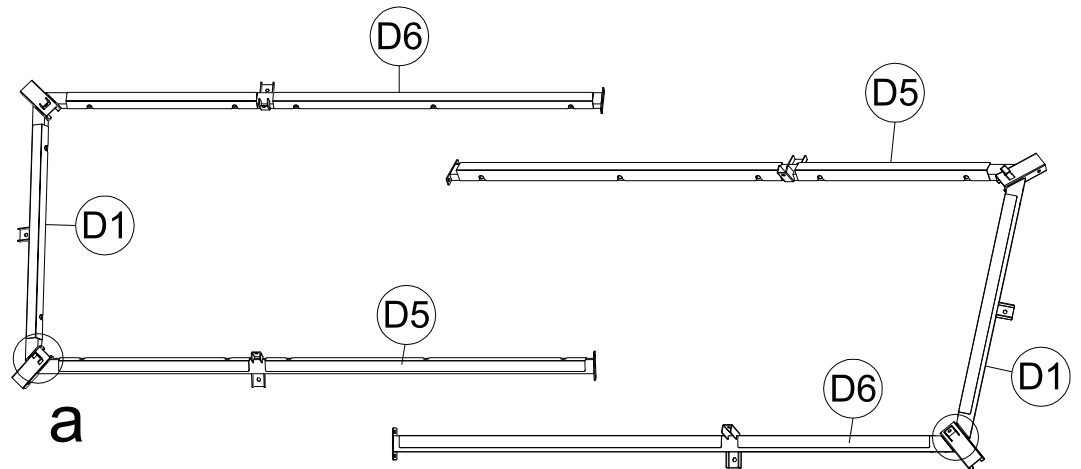
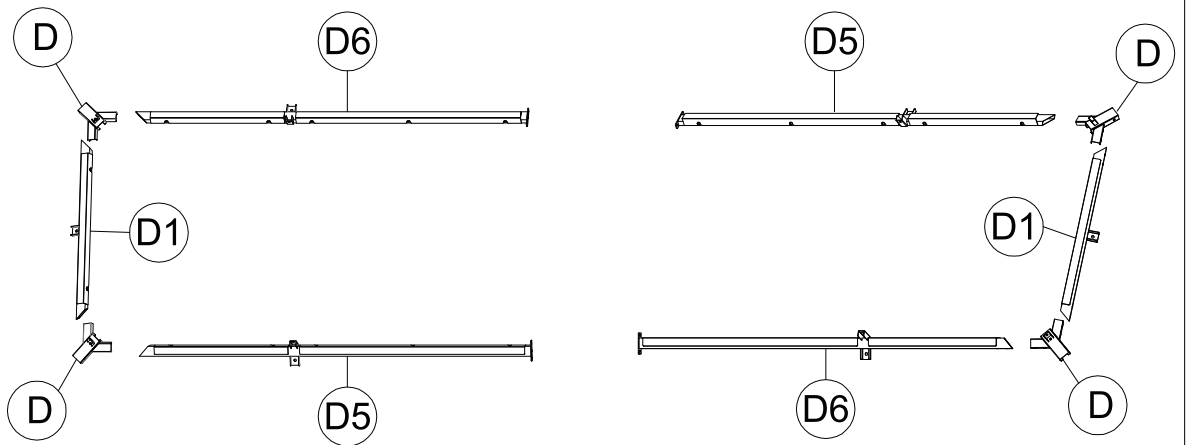
(D1) x2



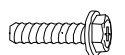
(D5) x2



(D6) x2



(FF) x16



M6x20

# 12

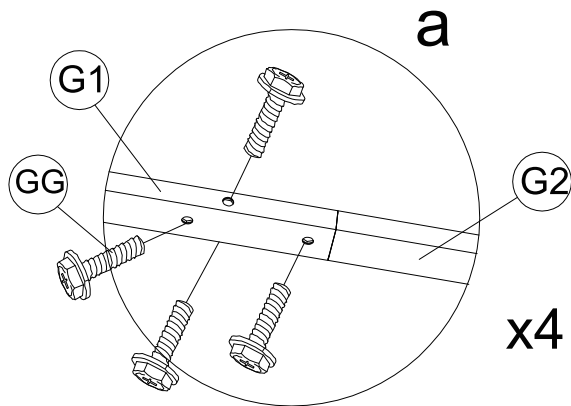
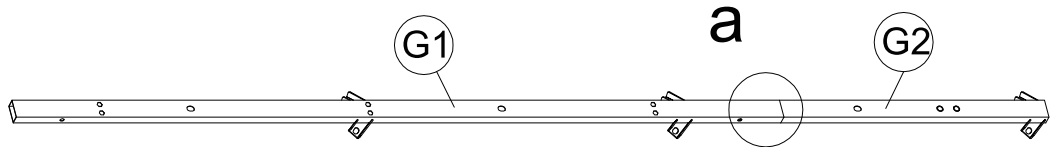
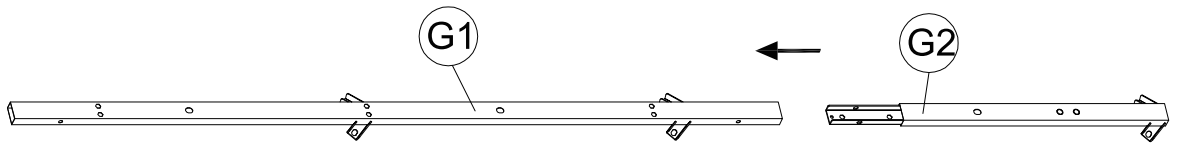
As shown in the diagram, insert (G2) into (G1), align the holes, and secure with screws (GG).



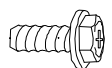
G1 x4



G2 x4



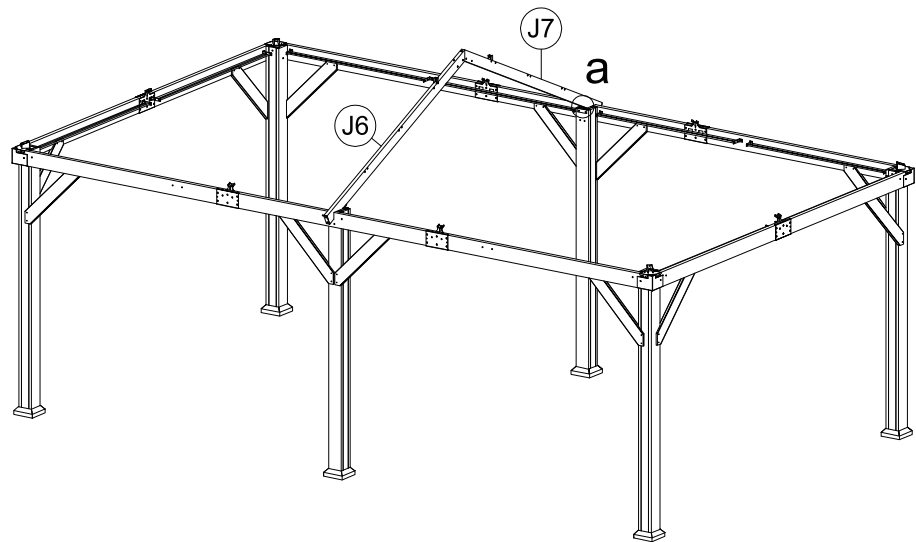
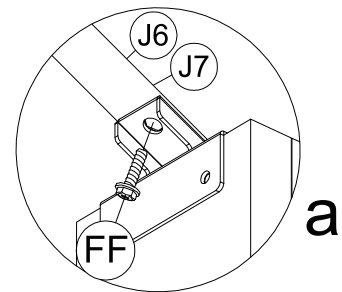
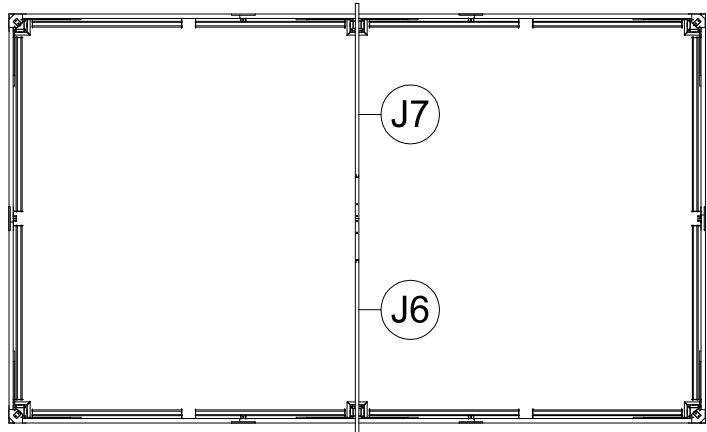
GG x16



M6x15

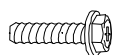
# 13

As shown in the diagram, align the assembled component from Step 10 with the holes and secure with screws (FF).



Caution! Make sure to hold the triangular beams securely during installation to prevent collapse..

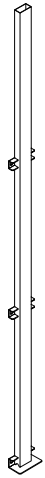
FF x2



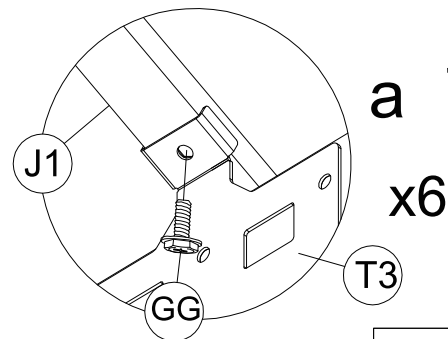
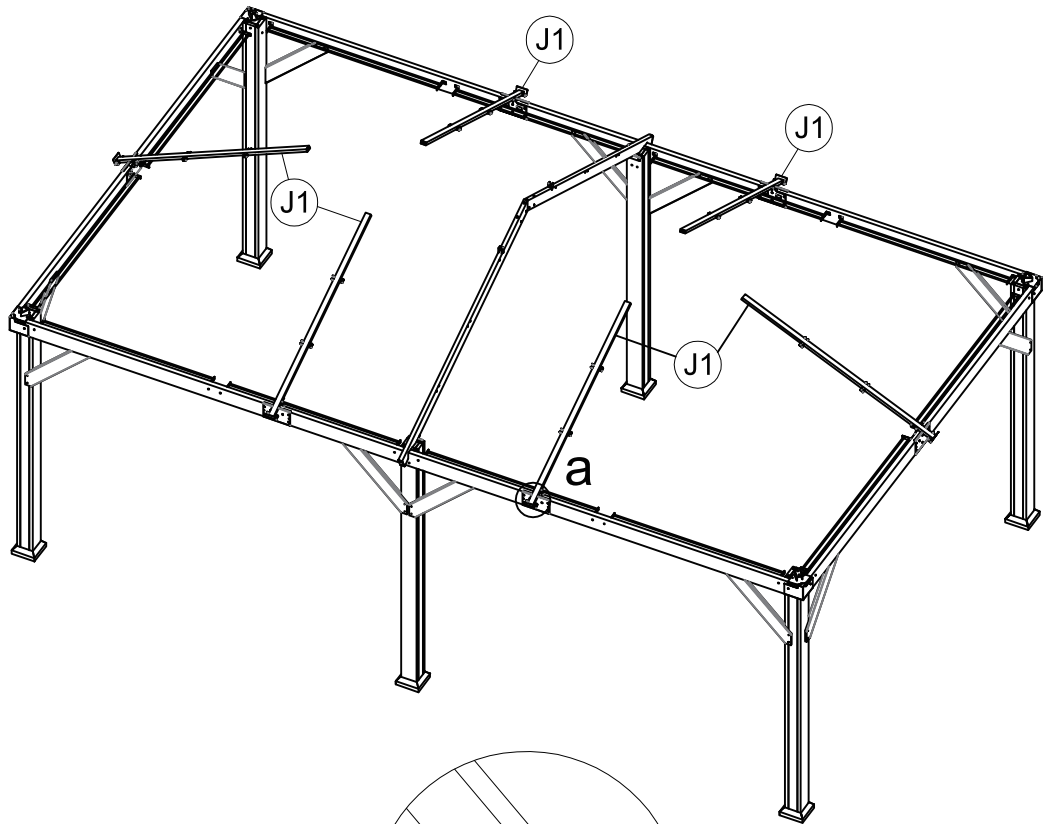
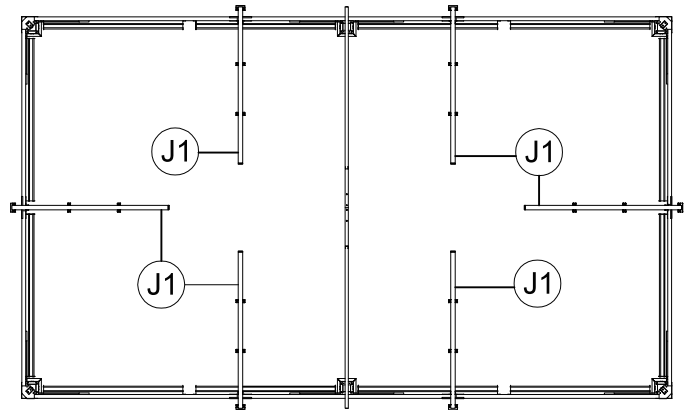
M6x20

# 14

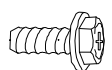
As shown in the diagram, align (J1) with the holes and secure with screws (GG).



(J1) x6



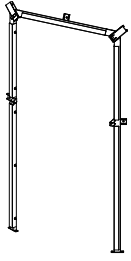
(GG) x6



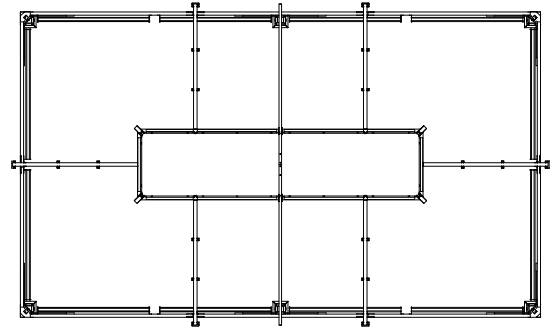
M6x15

# 15

As shown in the diagram, align the assembled component from Step 11 with (J1), (J5), and (J6) and secure with screws (GG).

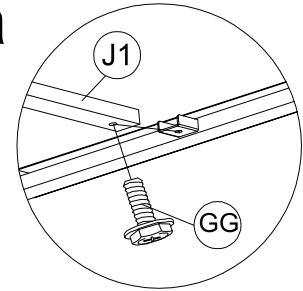


x2

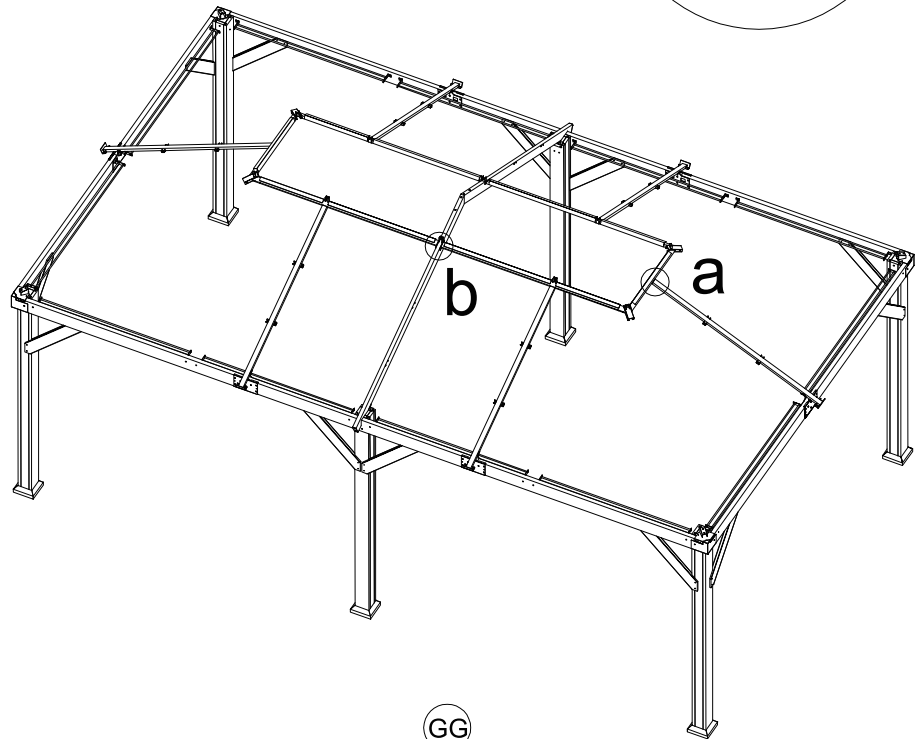


a

STEP 1

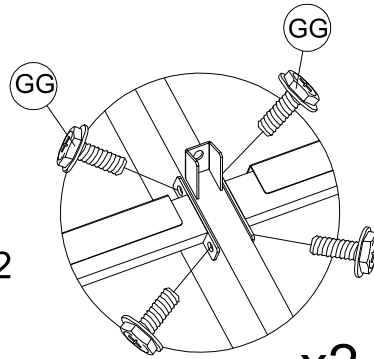


x6



b

a

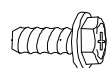


STEP 2

b

x2

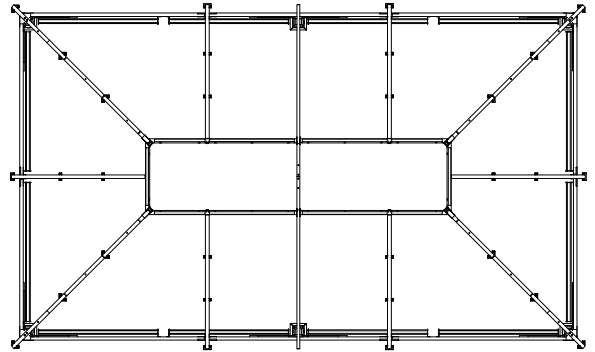
GG x14



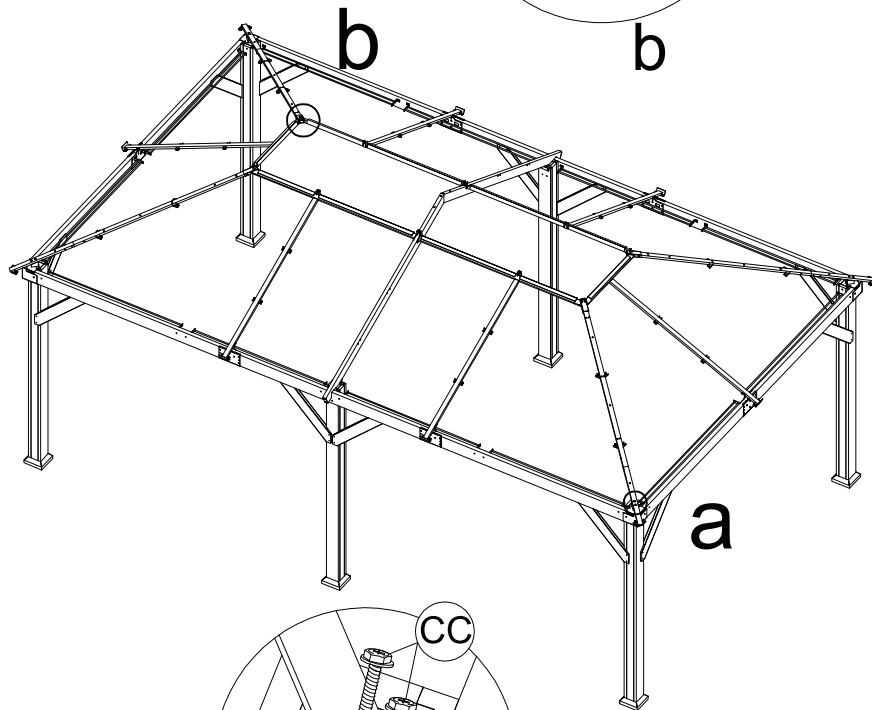
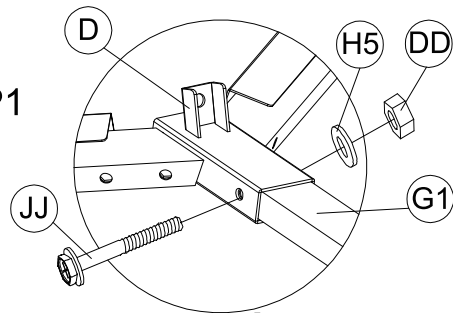
M6x15

# 16

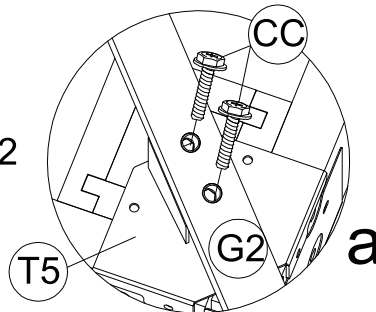
As shown in the diagram, insert (G1) into (D), align the holes, and secure with screws (JJ), washers (H5), and nuts (DD).  
Then align the tail of (G2) with (T5) and secure with screw (CC).



STEP 1



STEP 2



DD x4

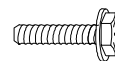


H5 x4



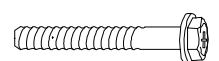
M6

CC x8



M6x35

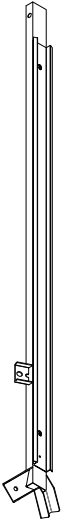
JJ x4



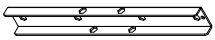
M6x55

# 17

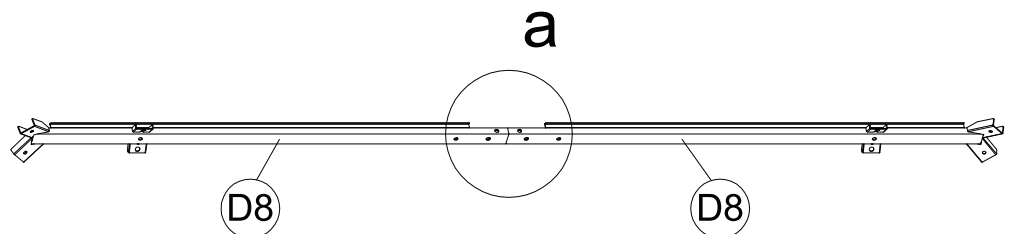
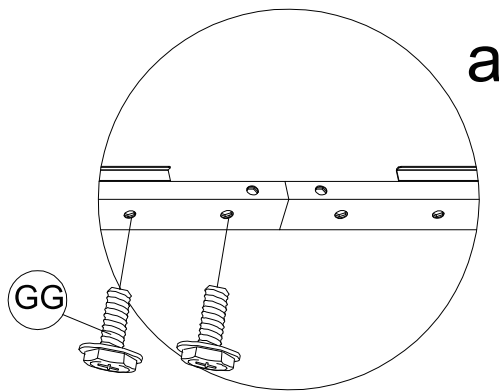
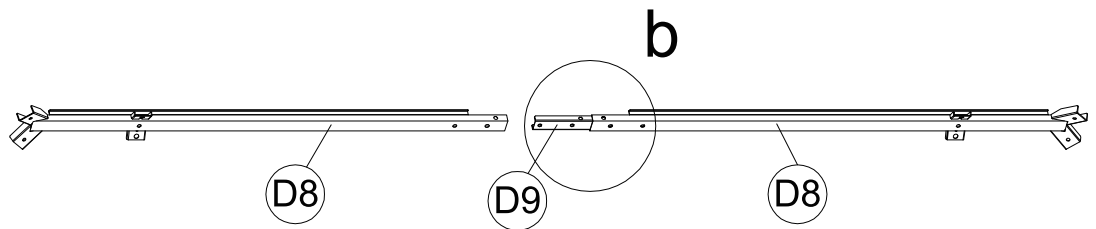
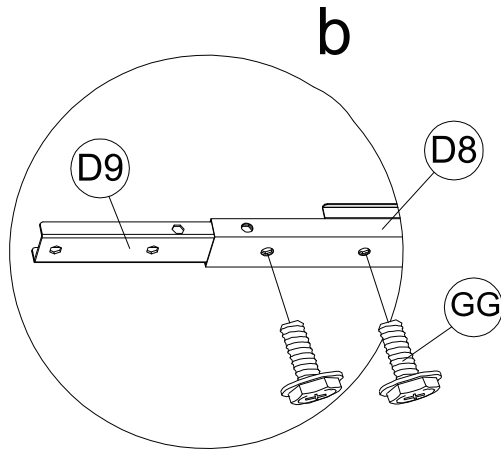
As shown in the diagram, insert (D9) into one of the (D8) parts, align the holes, and secure with screws (GG).  
Then align the other (D8) with (D9) and secure with screws (GG).



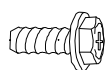
(D8) x2



(D9) x1



(GG) x4



M6x15

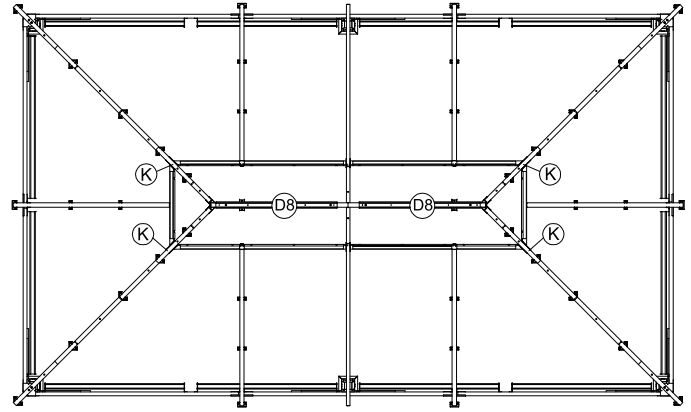
# 18

As shown in the diagram, insert (K) into (D), align the holes, and secure with screws (GG).

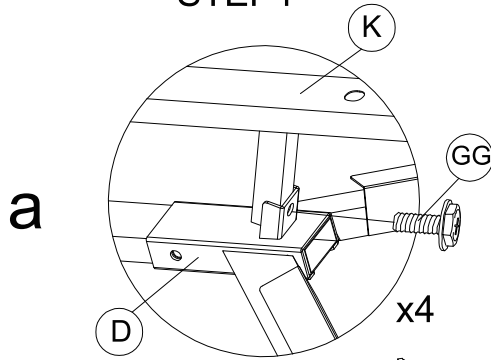
Then align the assembled part (D8) with (K) and secure with screws (GG).



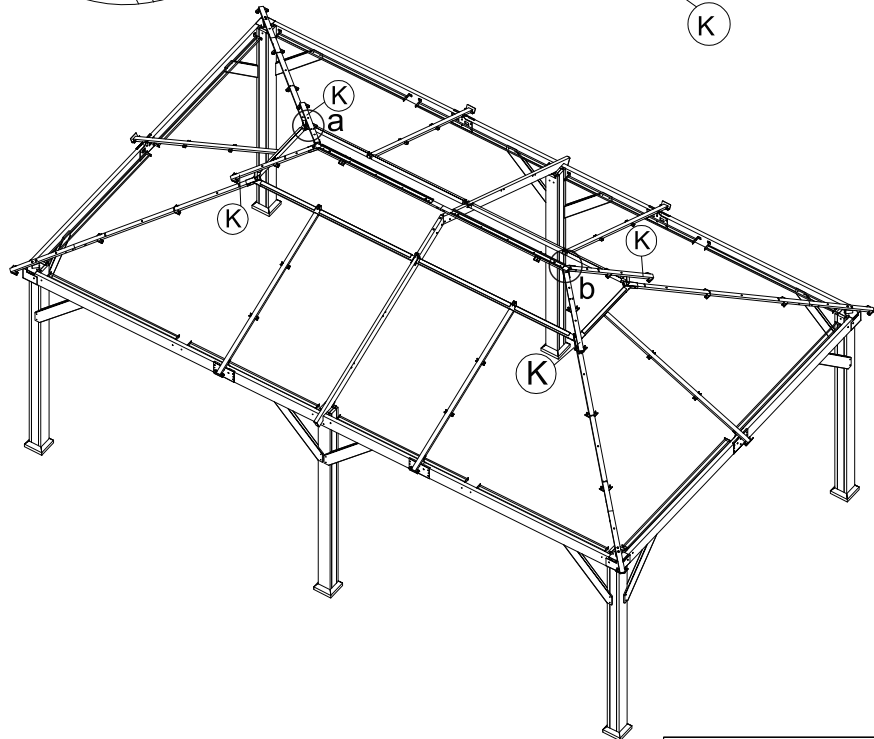
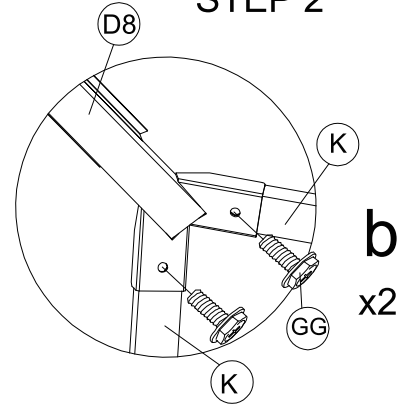
(K) x4



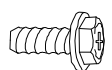
STEP 1



STEP 2



(GG) x8

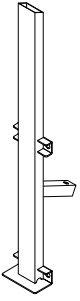


M6x15

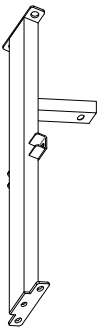
# 19

As shown in the diagram, insert (K) into (D), align the holes, and secure with screws (GG).

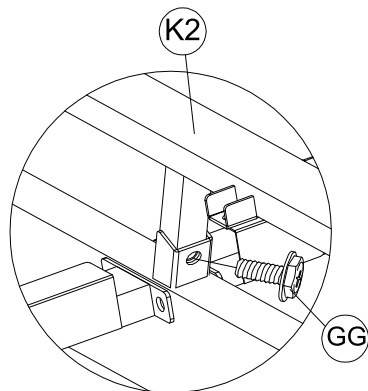
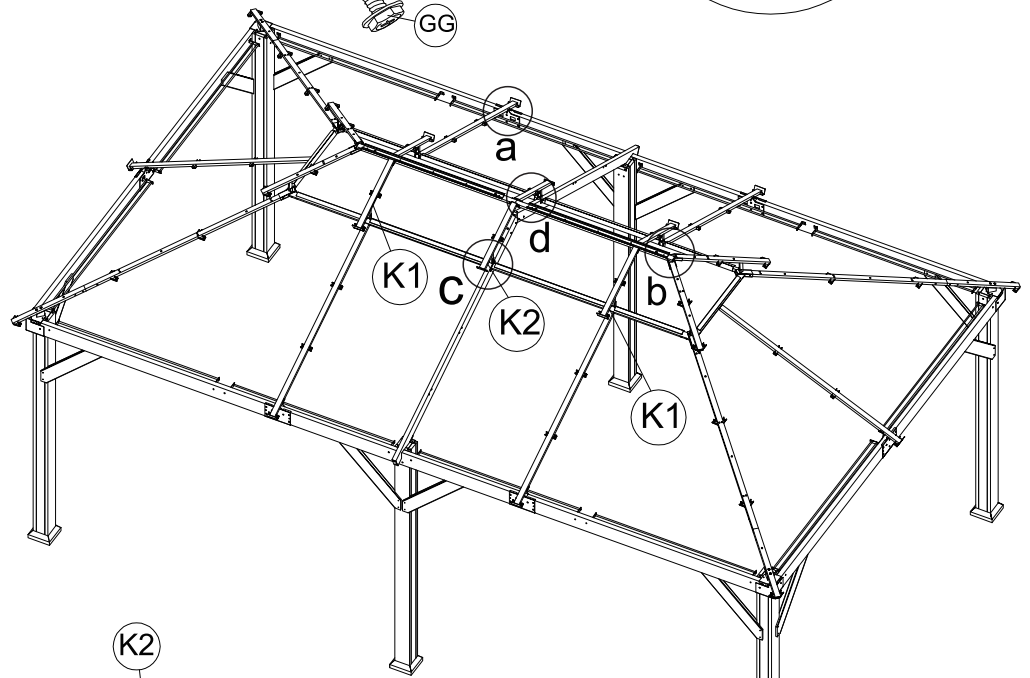
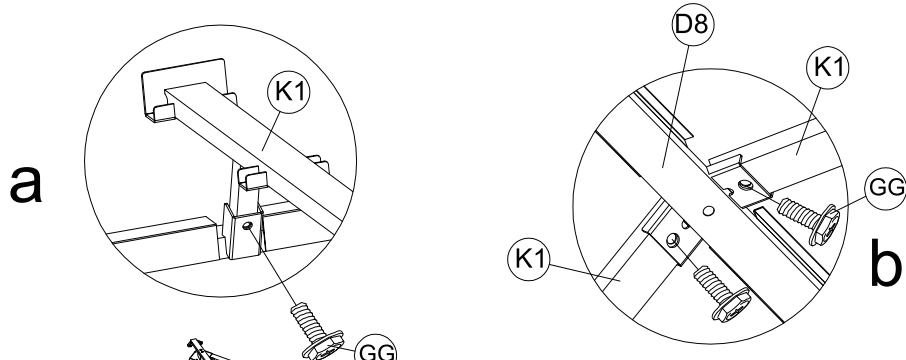
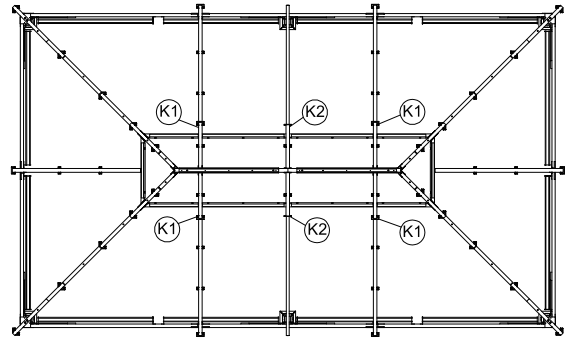
Then align the assembled part (D8) with (K) and secure with screws (GG).



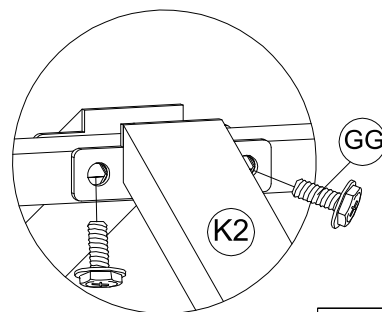
(K1) x4



(K2) x2

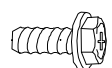


c



d

(GG) x14



M6x15

# 20

As shown in the diagram, align (L1), (L9), and (L10) with the holes and secure with screws (FF).

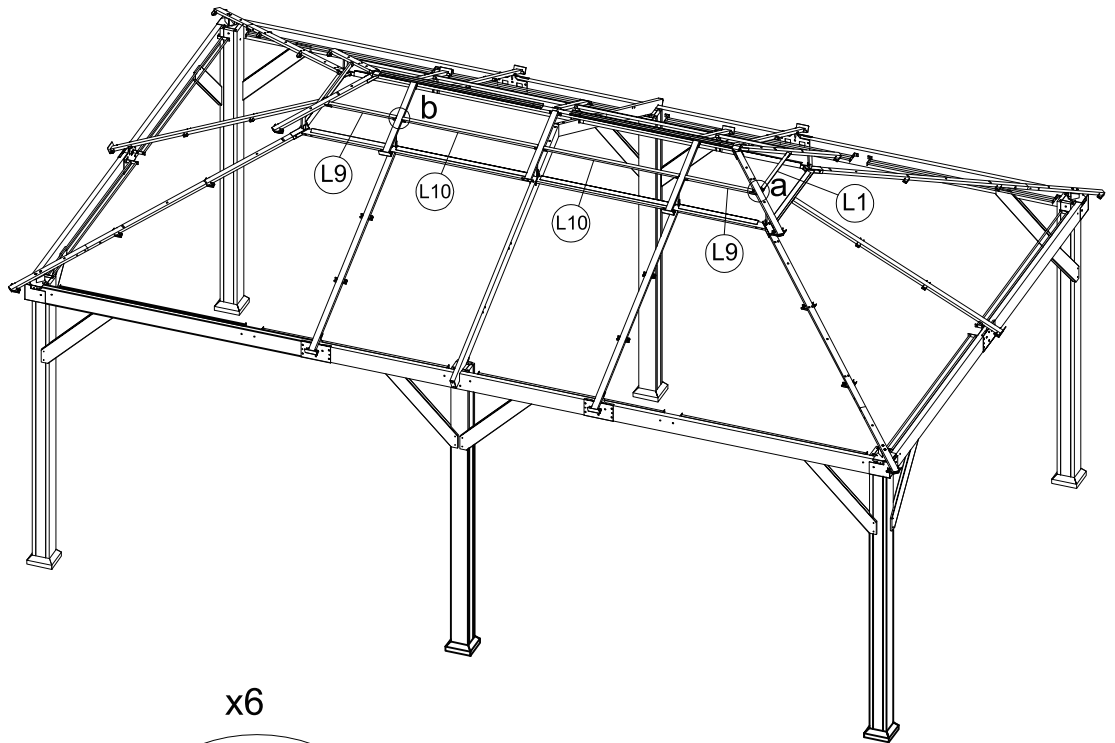
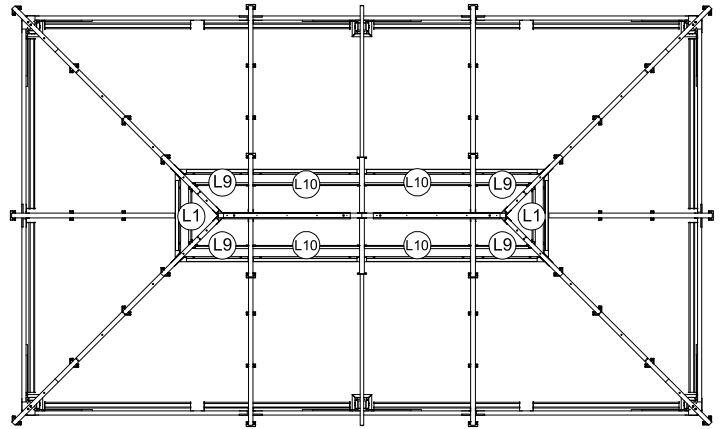
(L1) x2



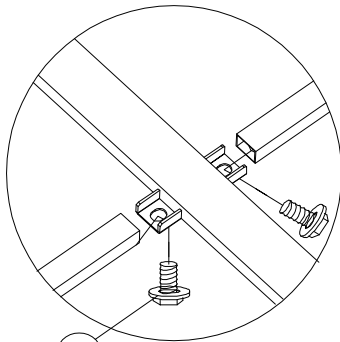
(L9) x4



(L10) x4

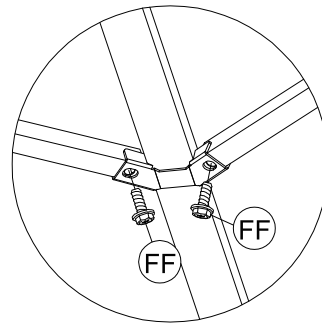


x6



(FF)

a

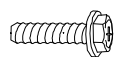


(FF)

b

x4

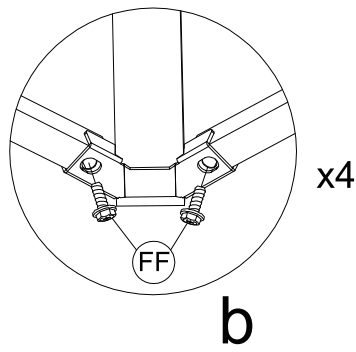
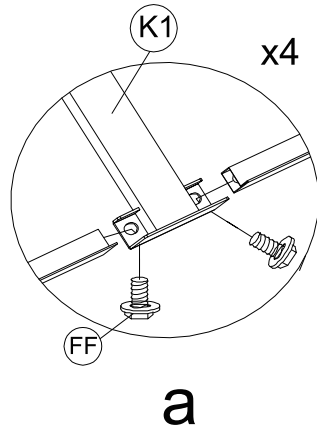
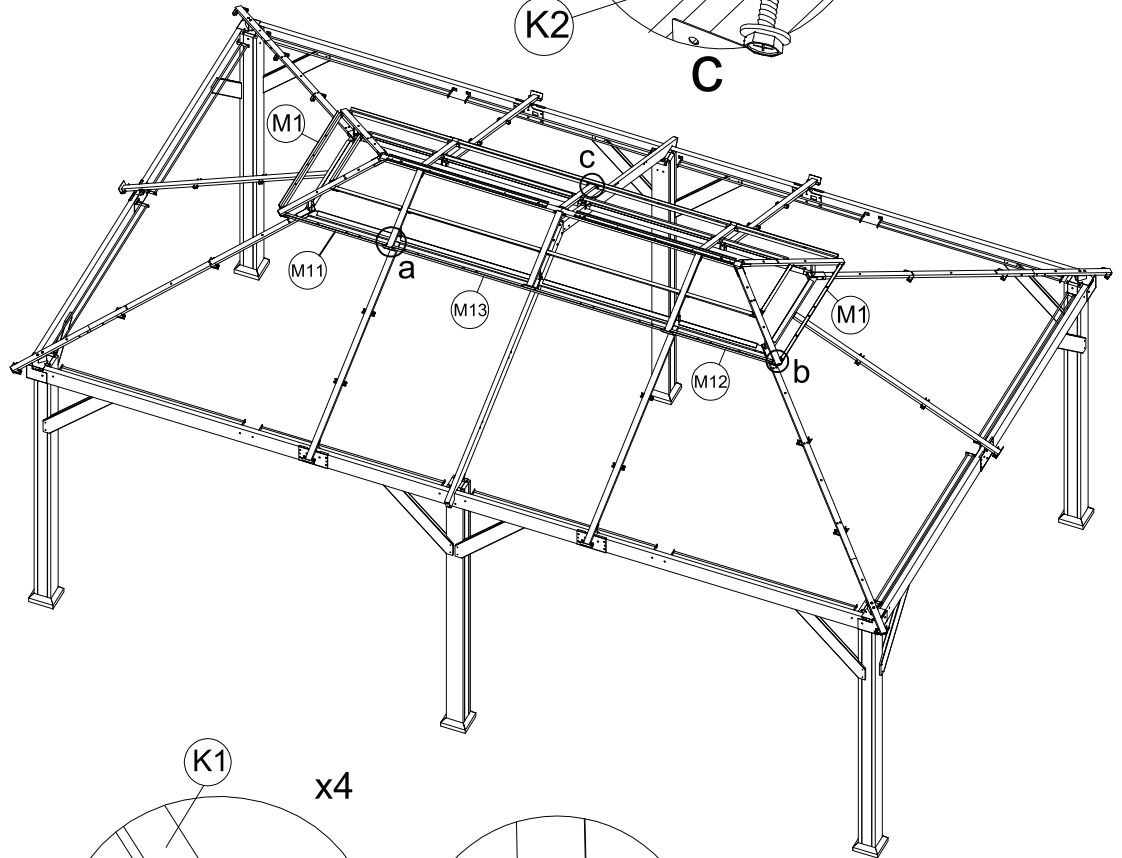
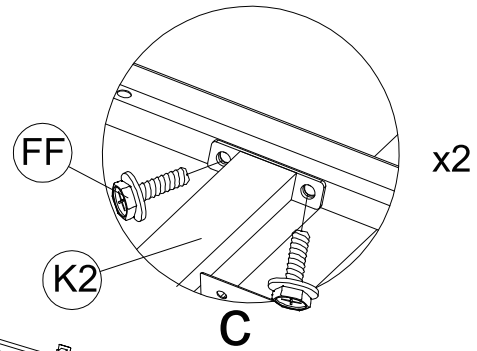
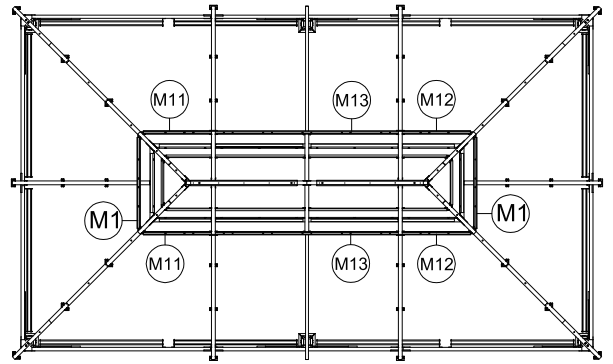
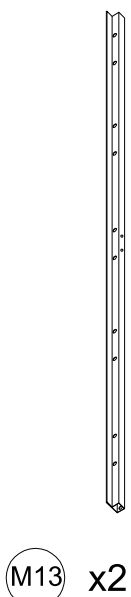
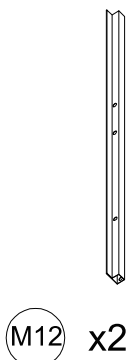
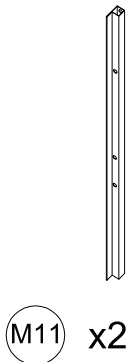
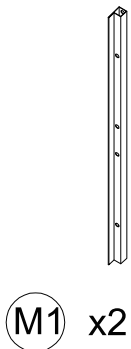
(FF) x20



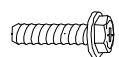
M6x20

# 21

As shown in the diagram, align (M1), (M11), (M12), and (M13) with the holes and secure with screws (FF).



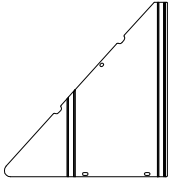
(FF) x20



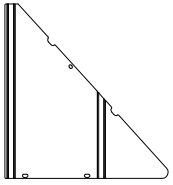
M6x20

# 22

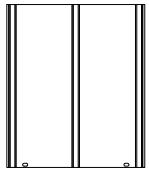
As shown in the diagram, align (P1), (P2), and (P7) with the holes and secure with screws (FF).



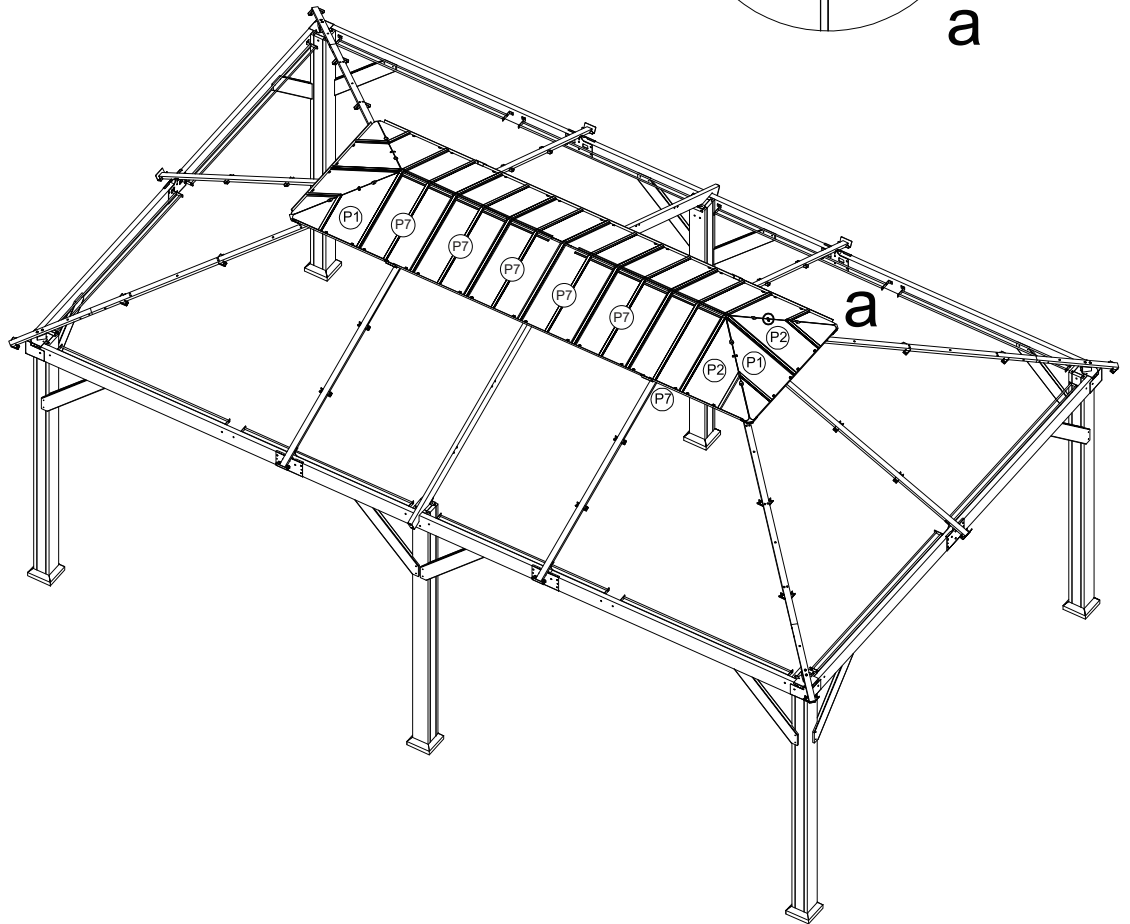
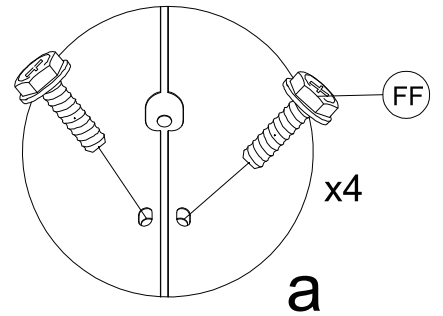
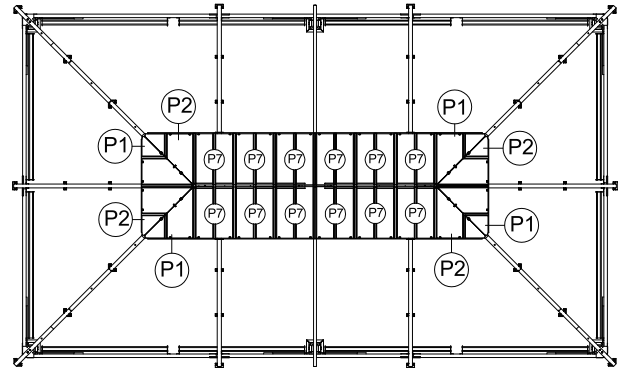
P1 x4



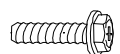
P2 x4



P7 x12



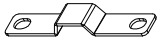
FF x8



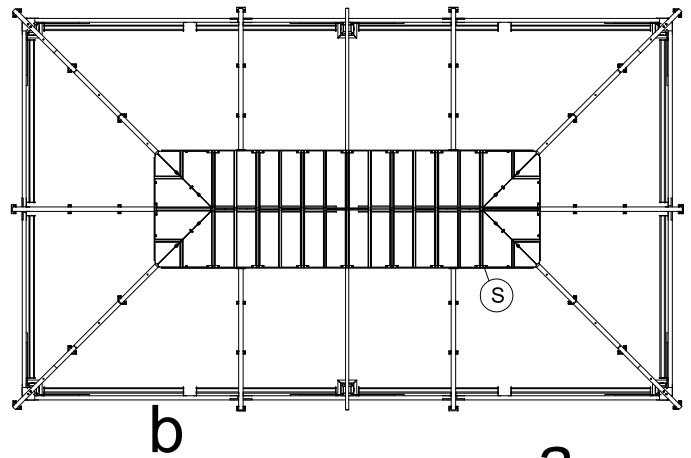
M6x20

# 23

As shown in the diagram, align (S) with the holes between (P1), (P2), and (P7) and secure with screws (FF).

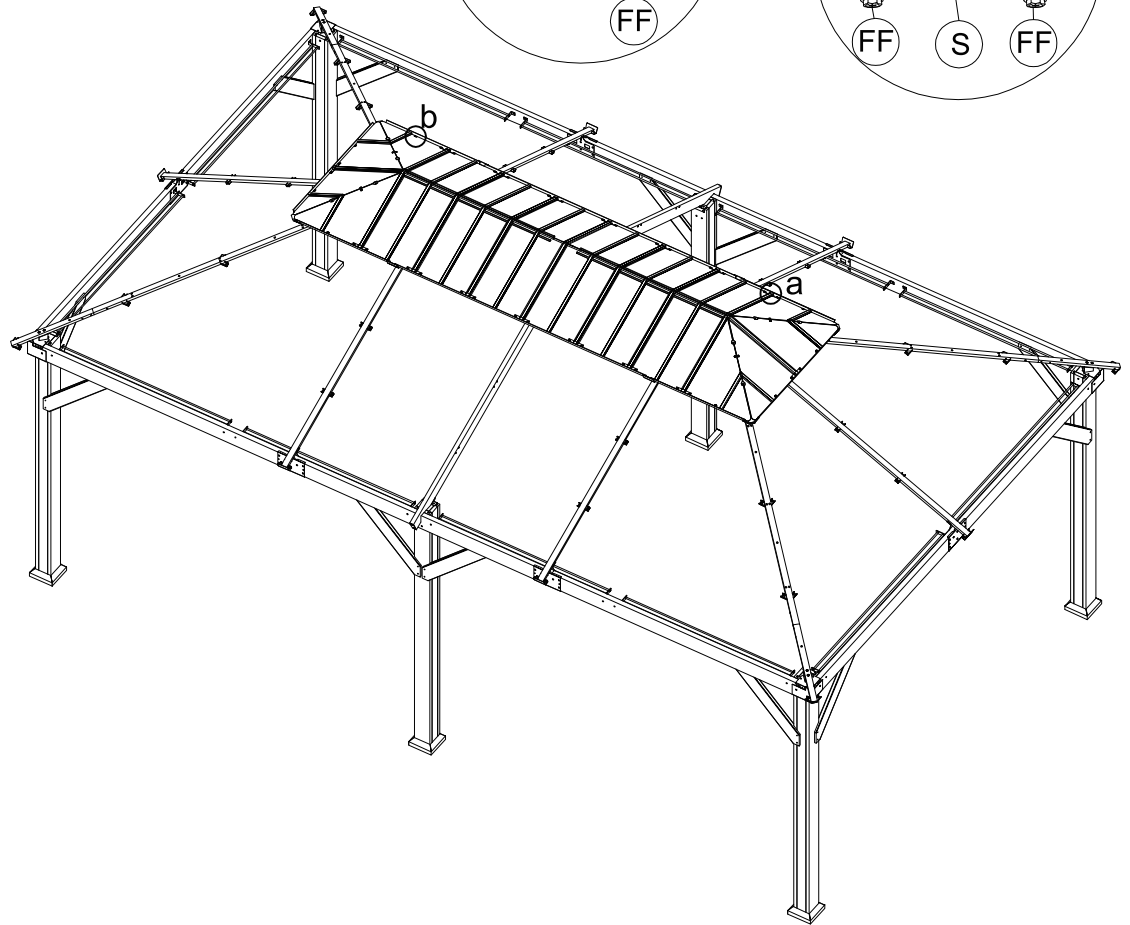
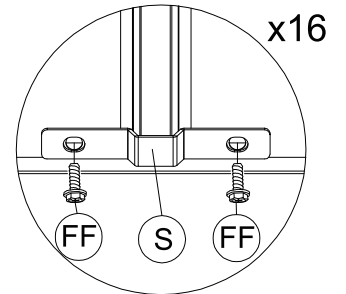
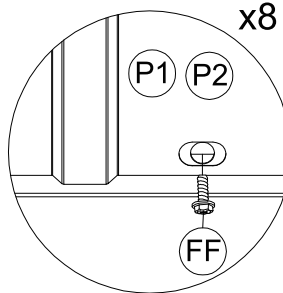


(S) x16

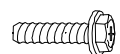


b

a



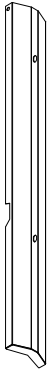
(FF) x40



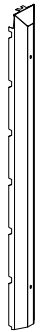
M6x20

# 24

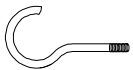
As shown in the diagram, first align (R8) with the holes and secure with screws (QQ). Then secure (R9) with screw (KK), install part (P) onto (D8), and tighten. Finally, align (Y3) with the holes and secure with screws (CC).



(R8) x4



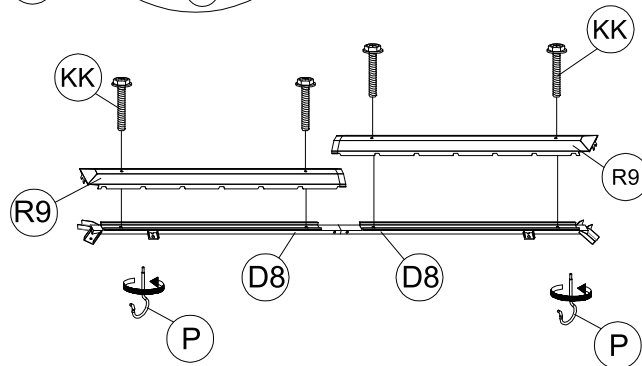
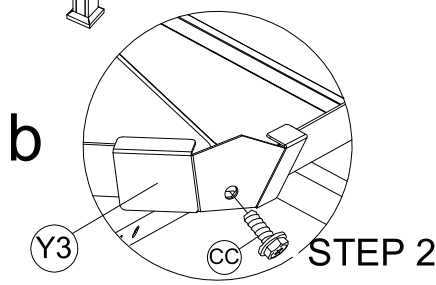
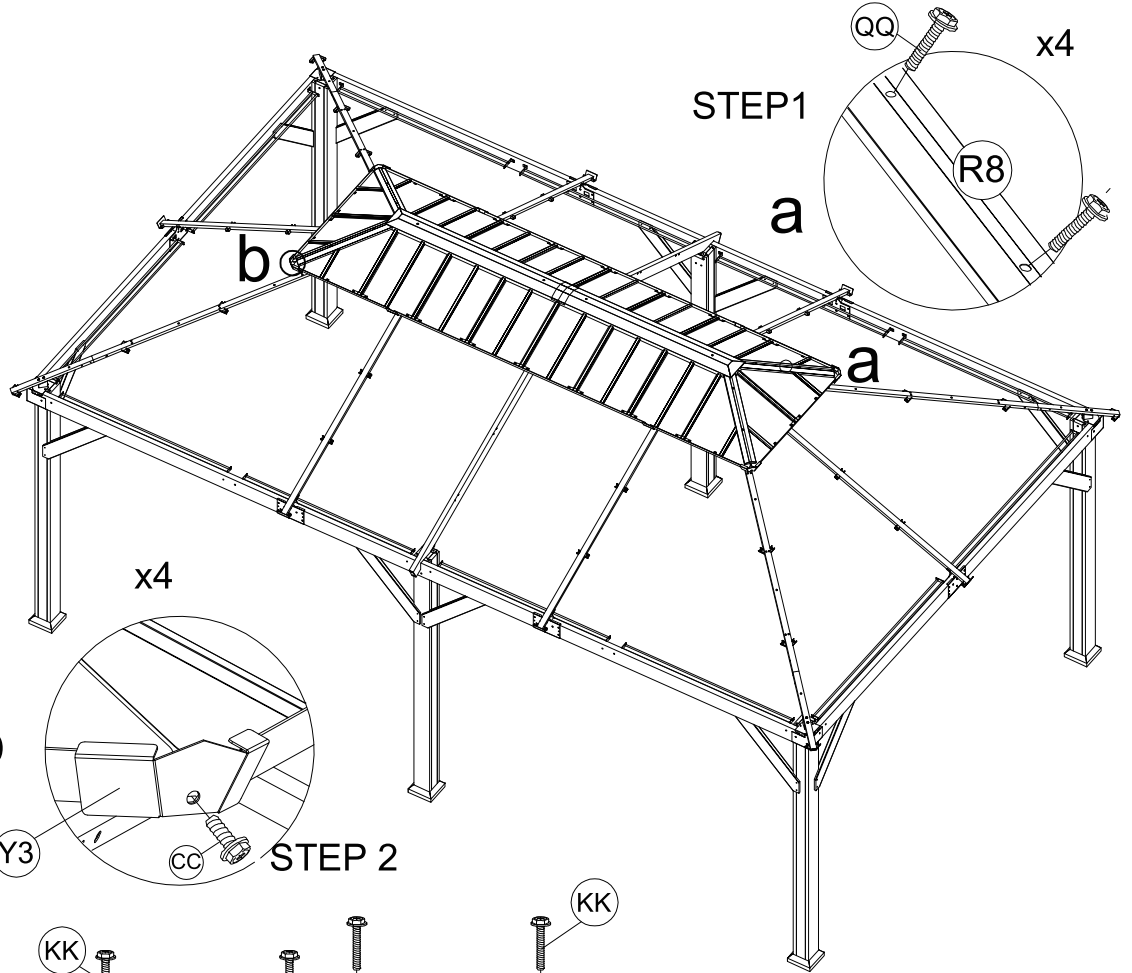
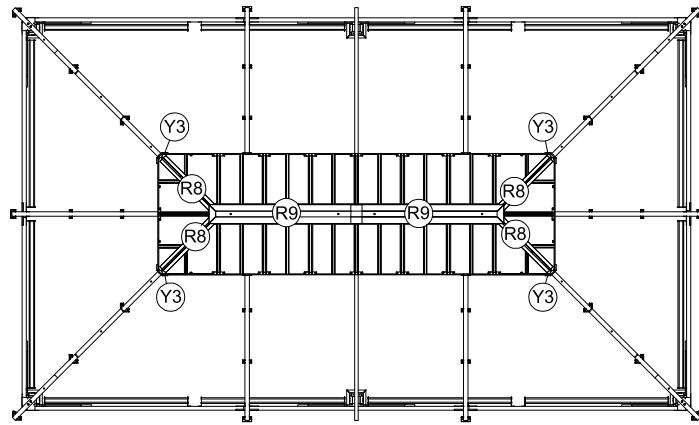
(R9) x2



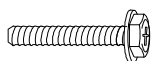
(P) x2



(Y3) x4

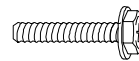


(KK) x4



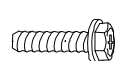
M6x45

(QQ) x8



M6x40

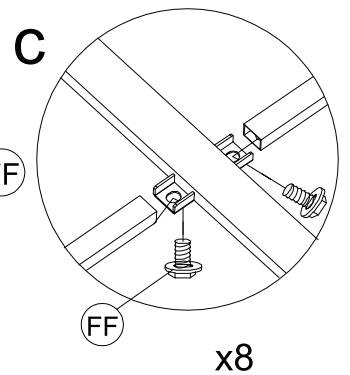
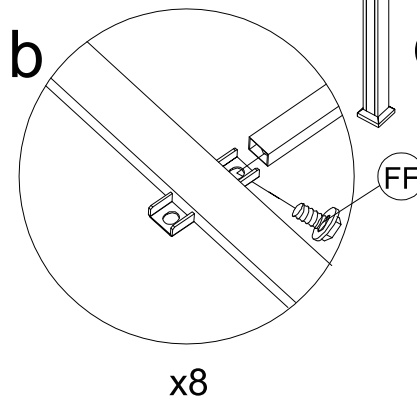
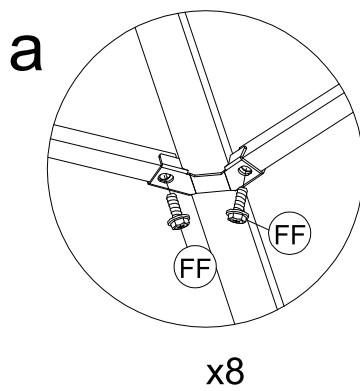
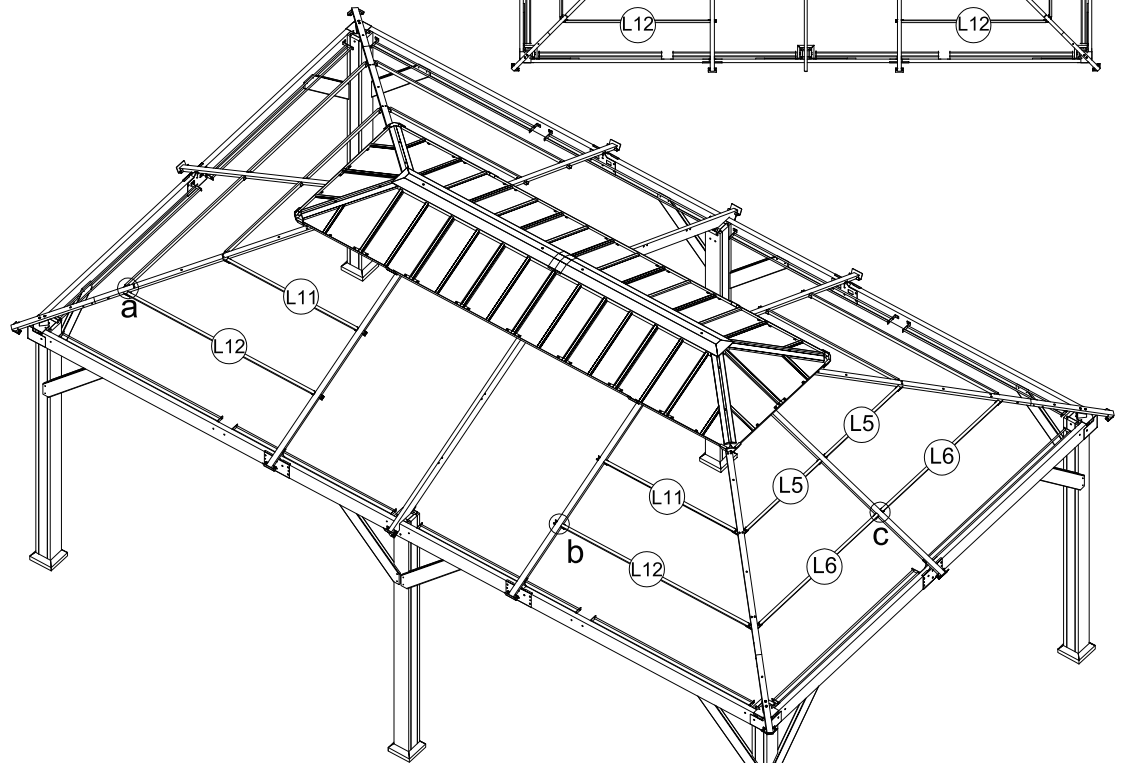
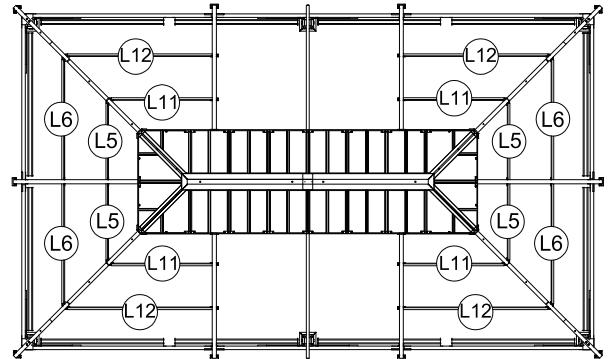
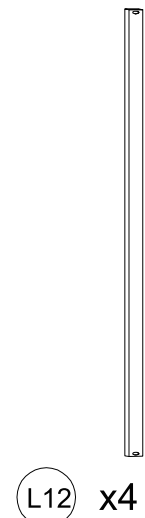
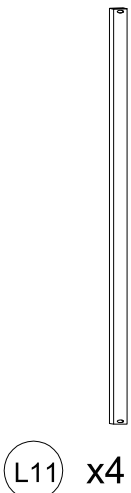
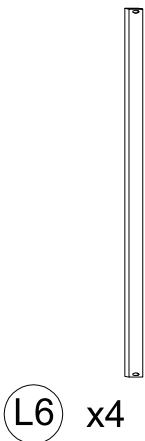
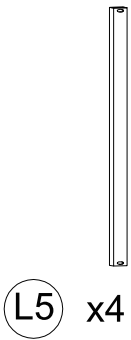
(CC) x4



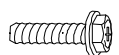
M6x35

# 25

As shown in the diagram, align (L5), (L6), (L11), and (L12) with the holes and secure with screws (FF).



(FF) x40



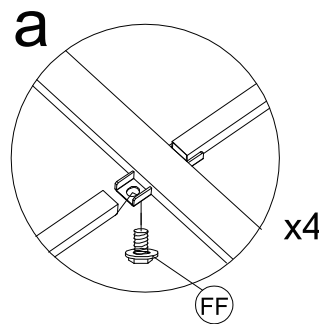
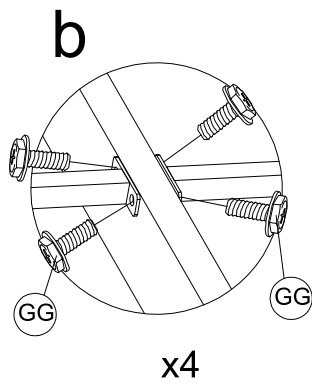
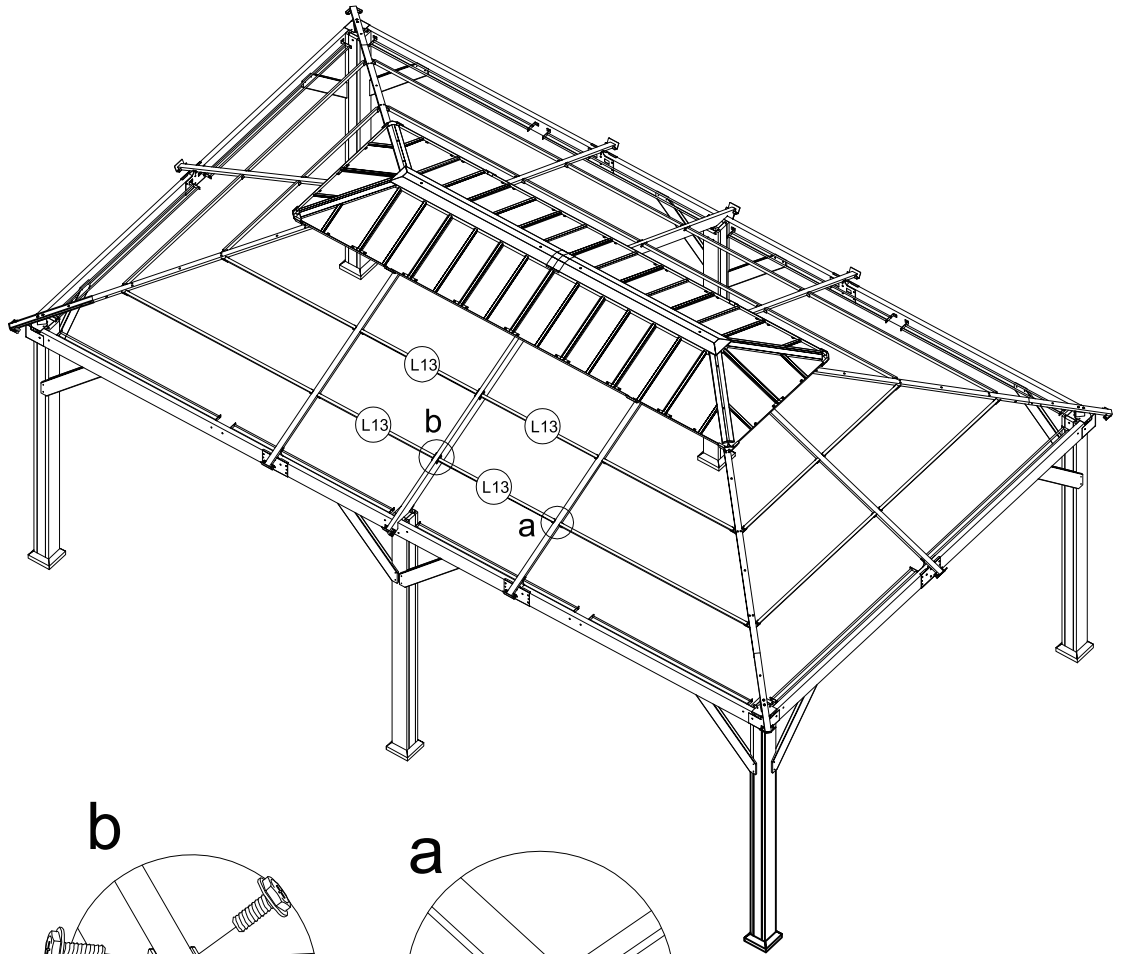
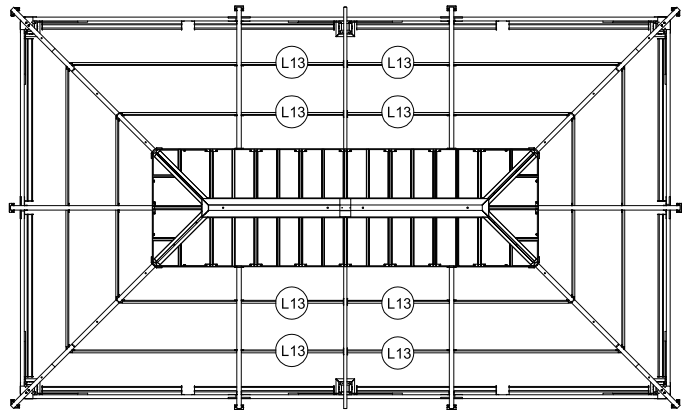
M6x20

# 26

As shown in the diagram, align (L13) with the holes and secure with screws (GG) and (FF).



L13 x8

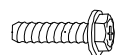


GG x16



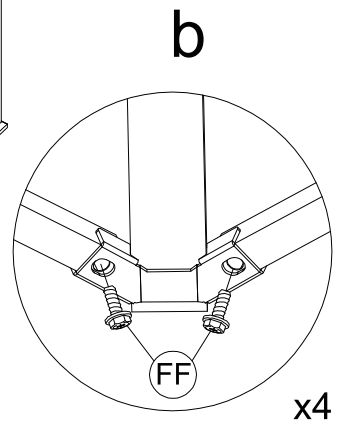
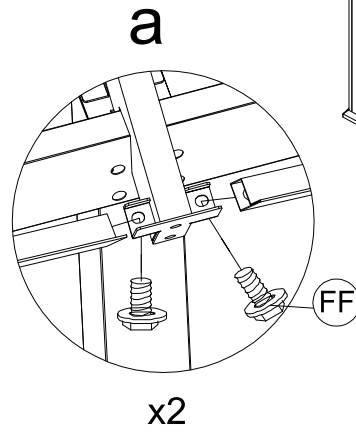
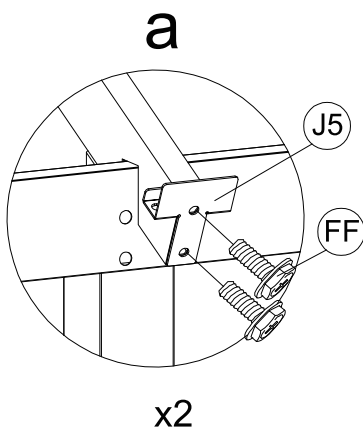
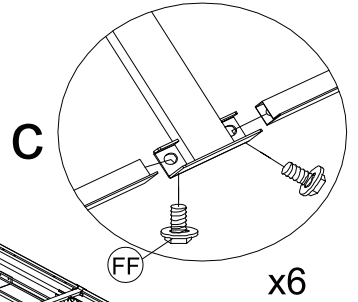
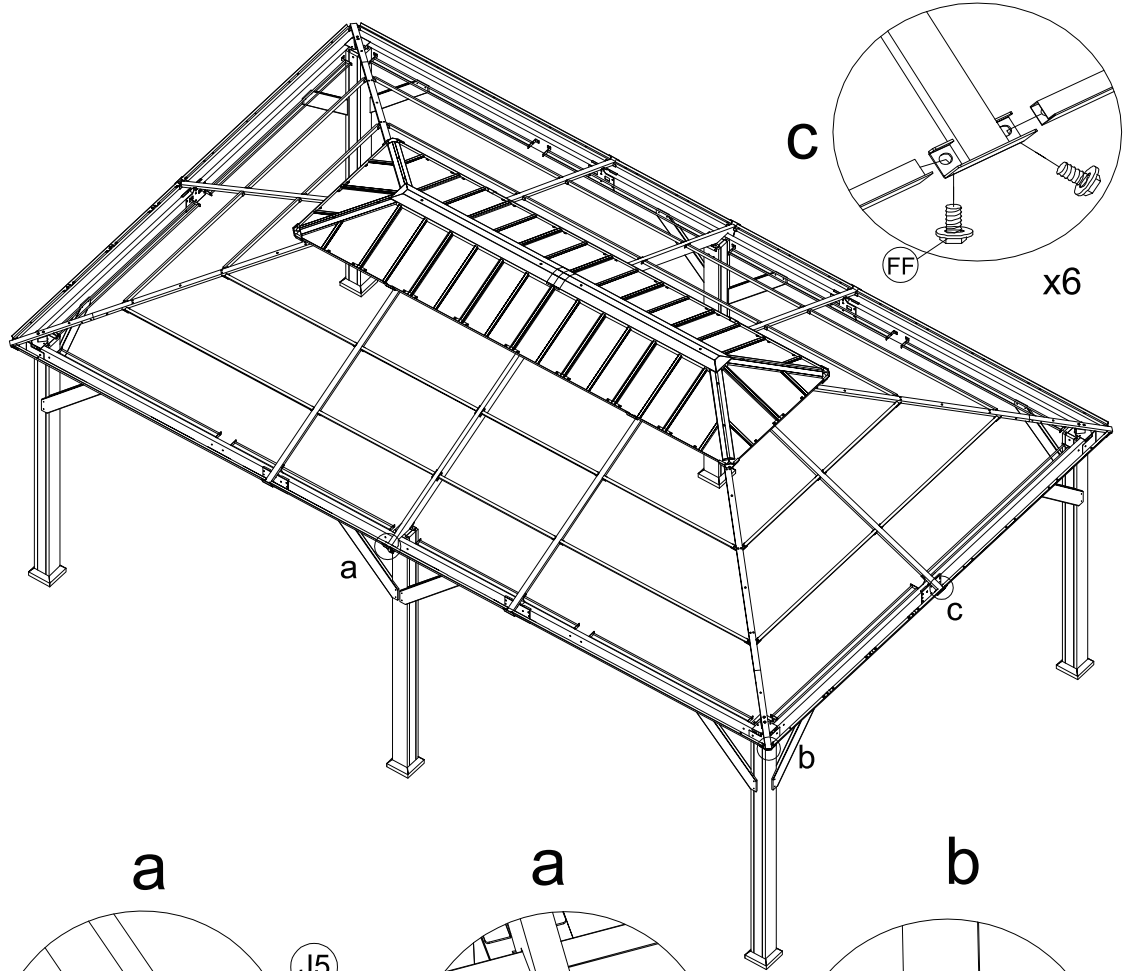
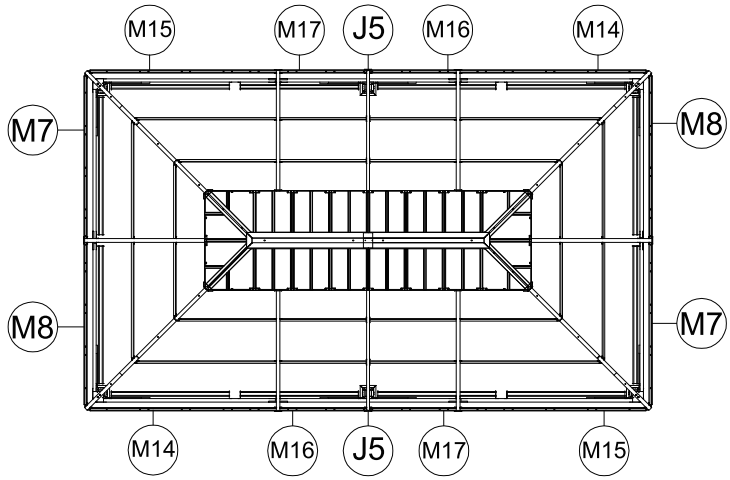
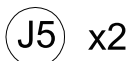
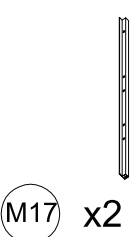
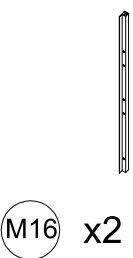
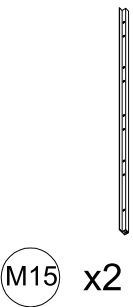
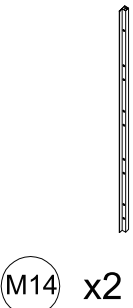
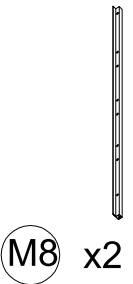
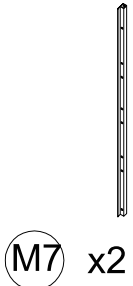
M6x15

FF x8



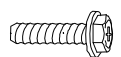
M6x20

# 27



As shown in the diagram, align (M7), (M8), (M14), (M15), (M16), and (M17) with the holes and secure with screws (FF).

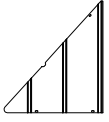
FF x28



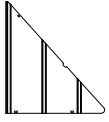
M6x20

# 28

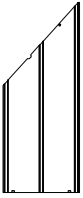
As shown in the diagram, align (Q1), (Q2), (Q3), (Q4), (Q5), (Q6), and (Q7) with the holes and secure with screws (FF).



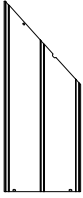
Q1 x2



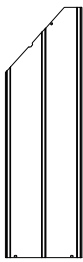
Q2 x2



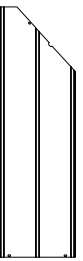
Q3 x2



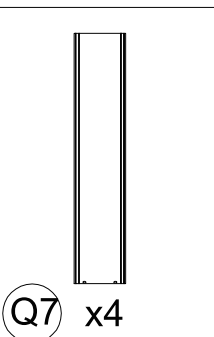
Q4 x2



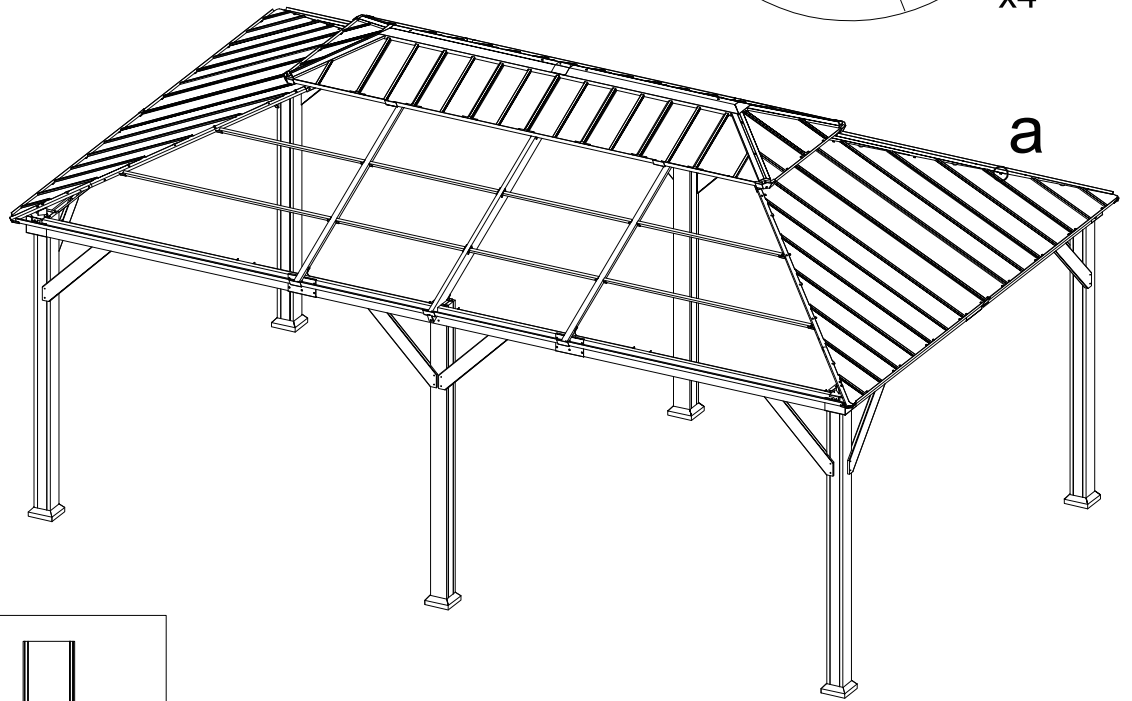
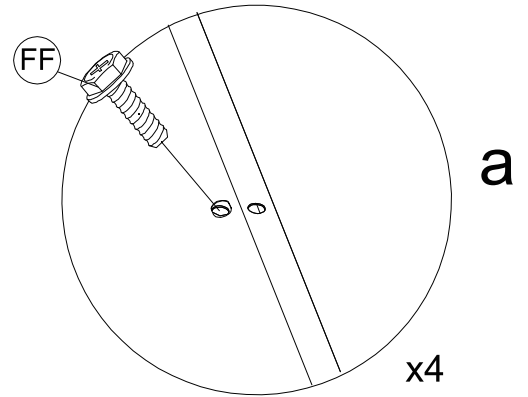
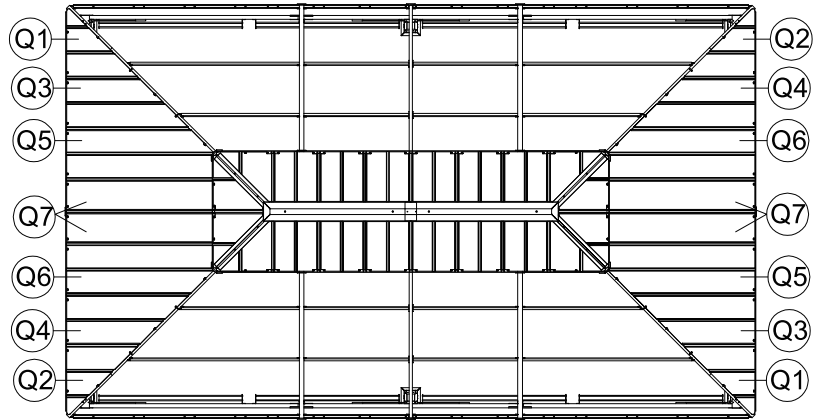
Q5 x2



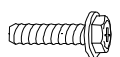
Q6 x2



Q7 x4



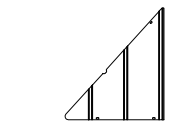
FF x12



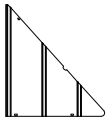
M6x20

# 29

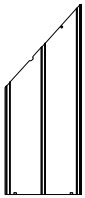
As shown in the diagram, align (Q1), (Q2), (Q3), (Q4), (Q5), (Q6), (Q7), and (Q10) with the holes and secure with screws (FF).



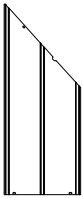
Q1 x2



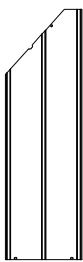
Q2 x2



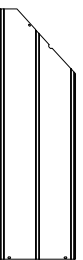
Q3 x2



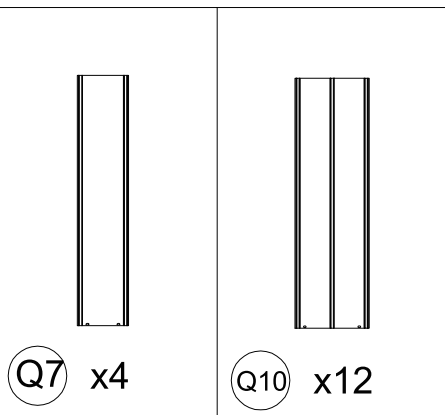
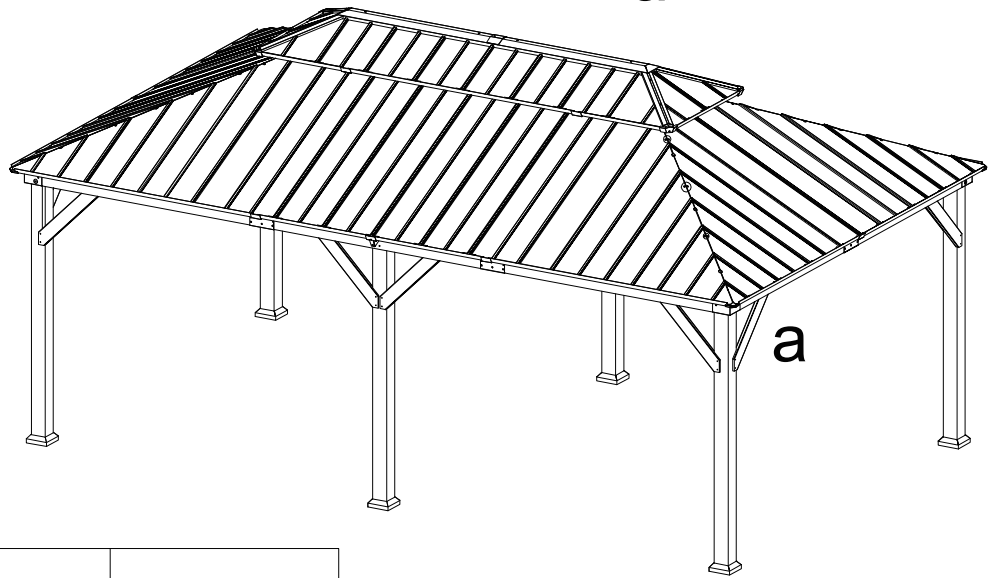
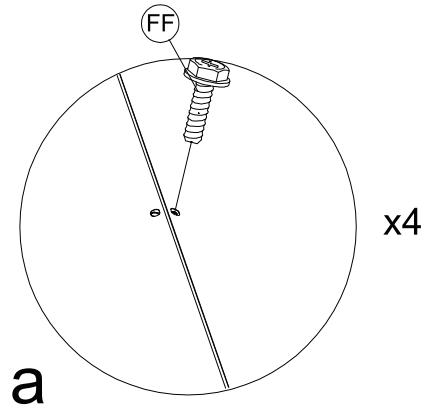
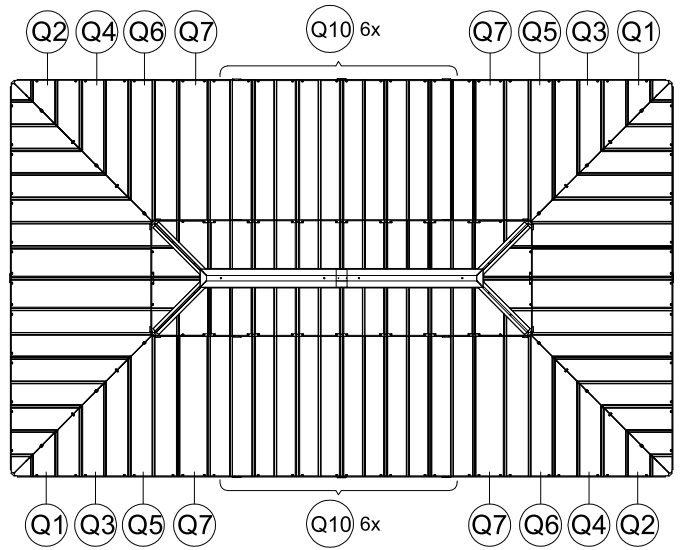
Q4 x2



Q5 x2



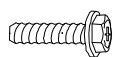
Q6 x2



Q7 x4

Q10 x12

FF x12



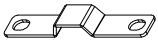
M6x20

# 30

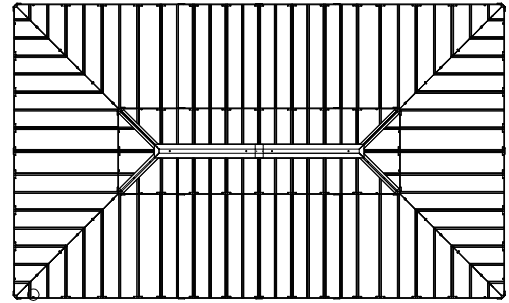
As shown in the diagram, align the pressure strip with the holes and secure with screws (FF).  
Then align the diagonal beam stopper (Y3) with the holes and secure with screws (CC).



Y3 x4

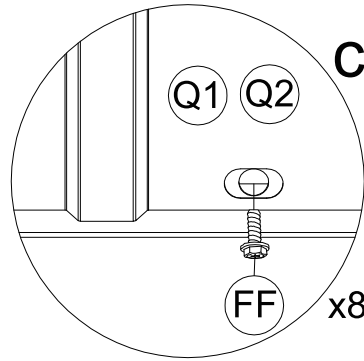


S x40



C

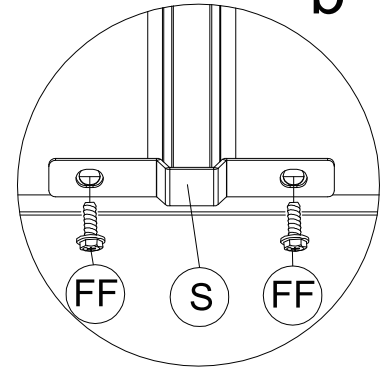
b



C

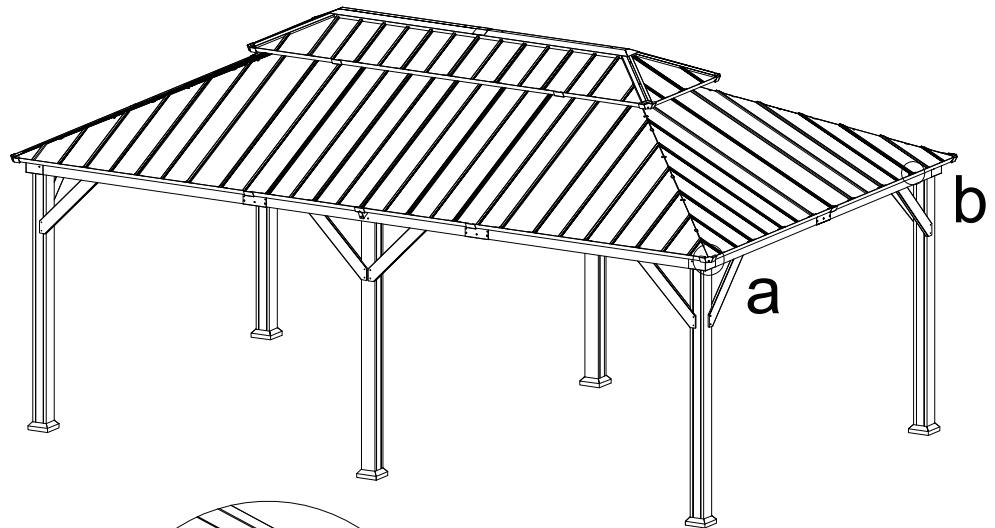
Q1 Q2

FF x8



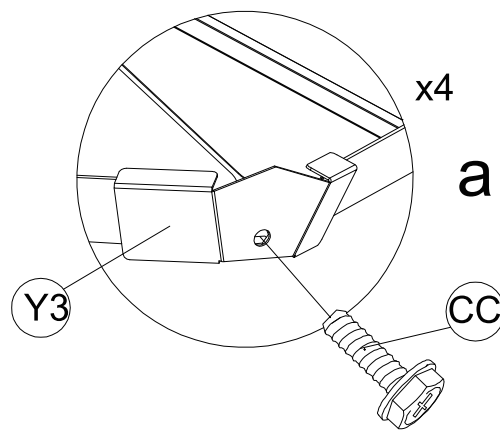
x40

FF S FF



a

b



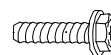
x4

a

Y3

CC

CC x4



M6x35

FF x88



M6x20

# 31

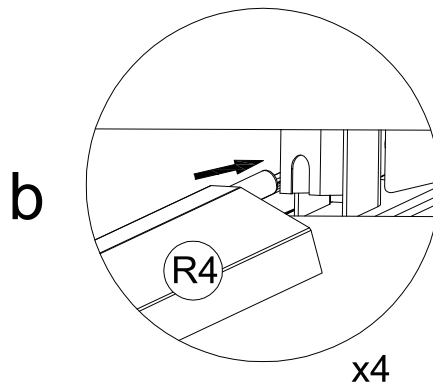
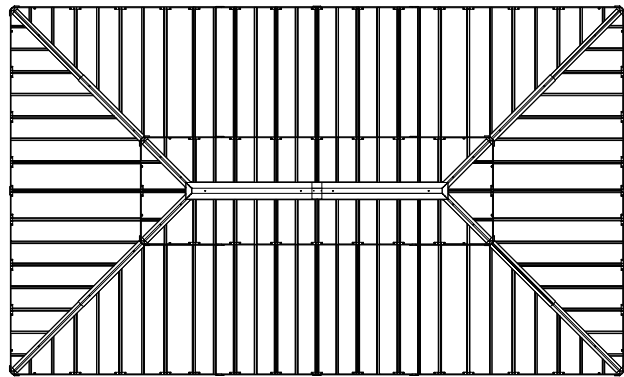
As shown in the diagram, align the upper cover (R4) and lower cover (R5) of the main diagonal beam with the holes and secure with screws (QQ).



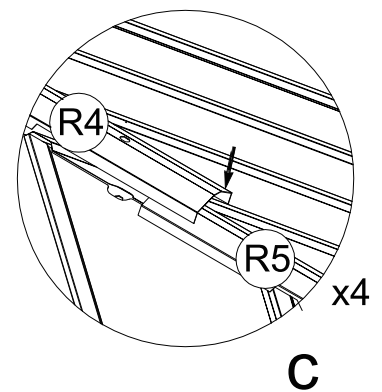
R4 x4



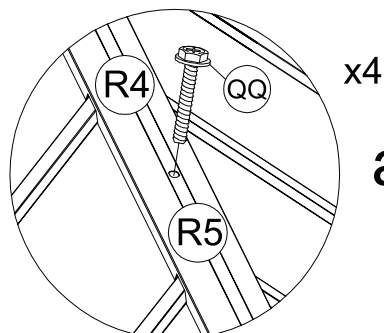
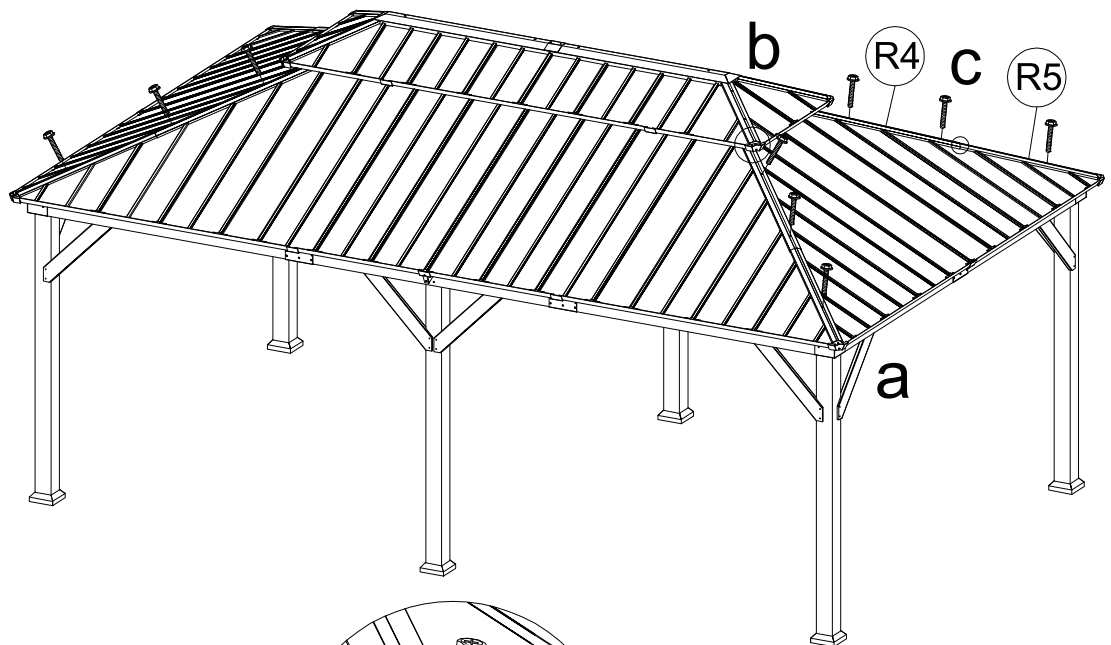
R5 x4



x4



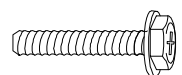
C



x4

a

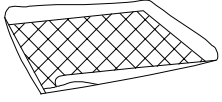
QQ x12



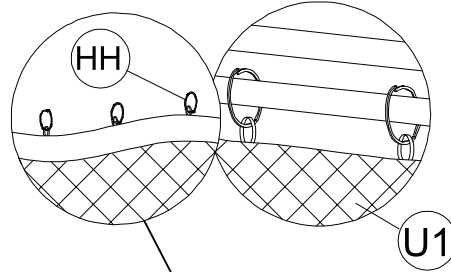
M6x40

# 32

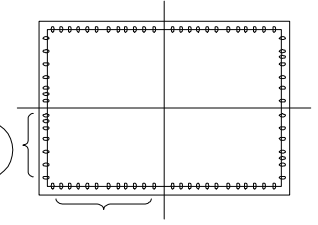
As shown in the diagram, attach the plastic clips (HH) to the mosquito net tubes, then slide the fabric curtain (V5) into place.



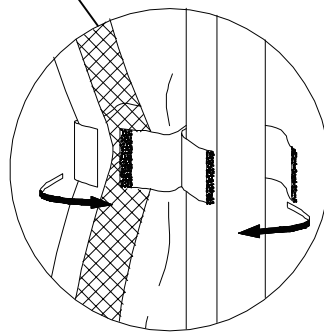
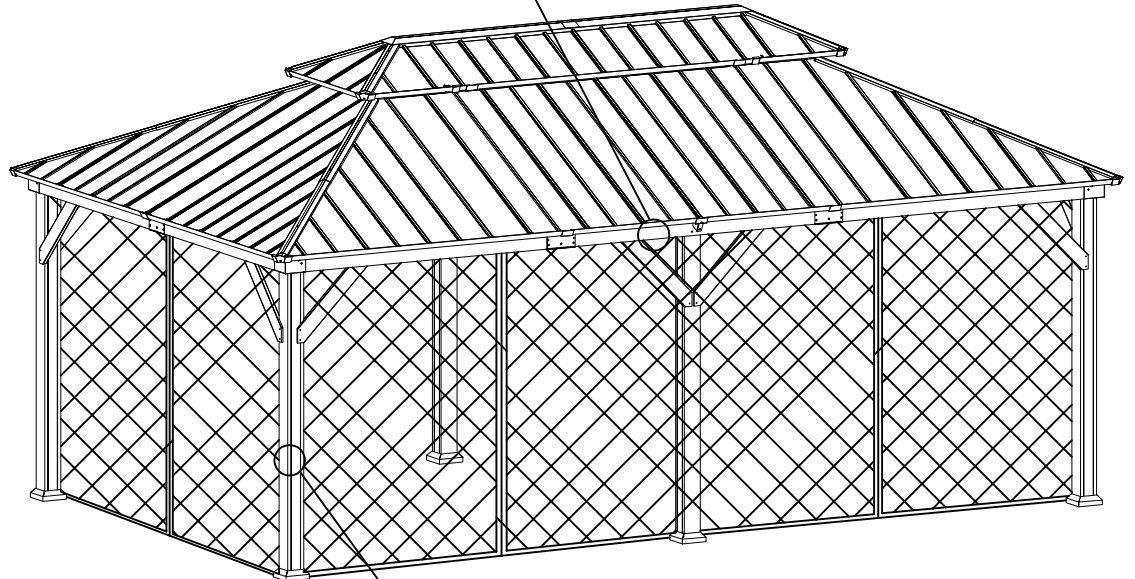
U5 x1



7



12

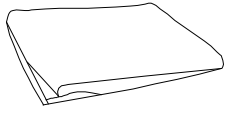


HH x76

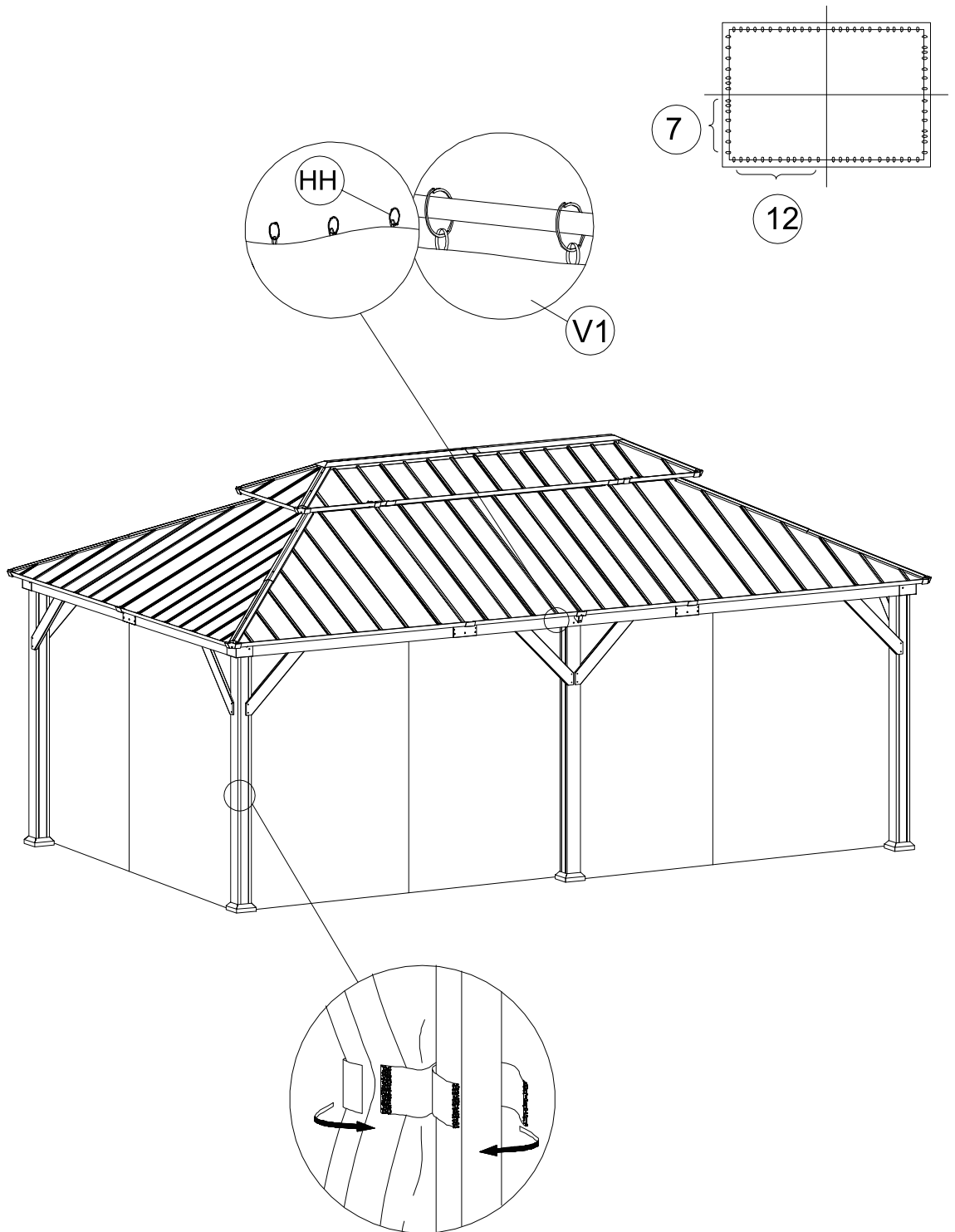


# 33

As shown in the diagram, attach the plastic clips (HH) to the mosquito net tubes, then slide the mesh (U5) into place.

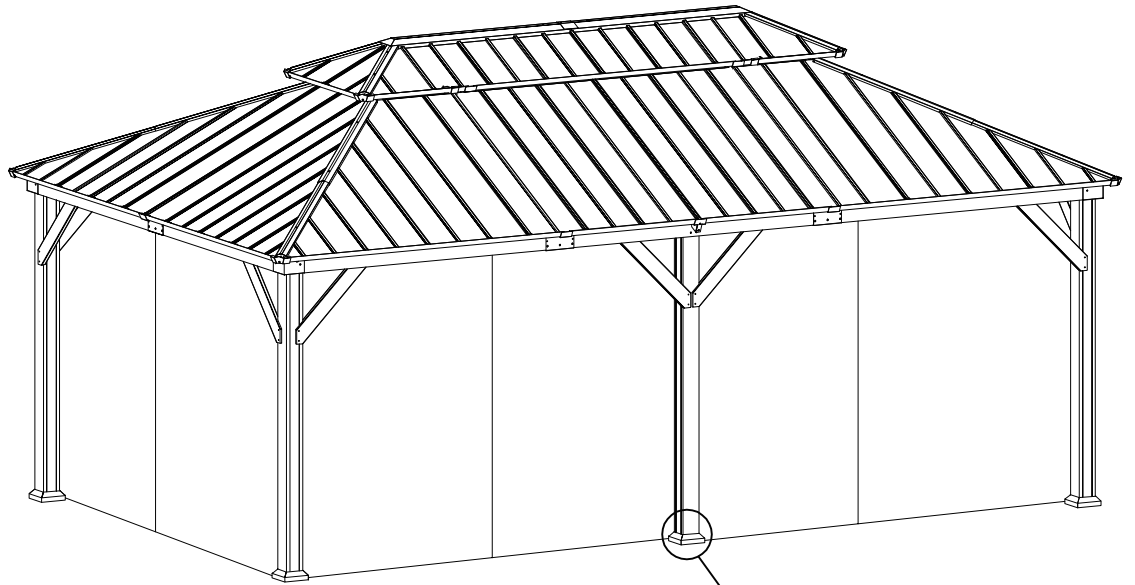


V5 x1



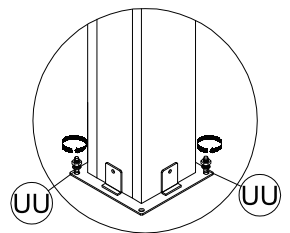
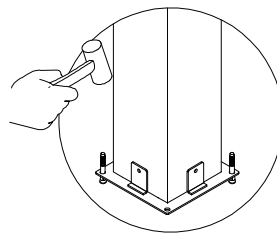
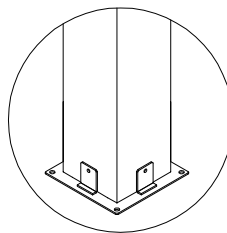
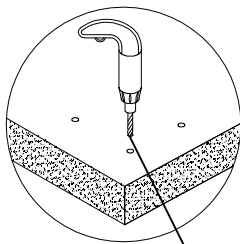
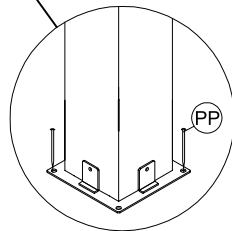
HH x76





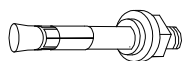
a

x6



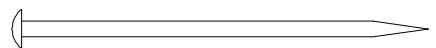
Drill bit size  $\geq \varnothing 10$

UU x12



M6x80

PP x12



D8x180

# |Gazebo

SKU

BG11H2-1A2A1  
BG11H2-1A2A2  
BG11H2-1A2A3  
BG11H2-1A2A4  
BG11H2-1A2A5  
BG11H2-1A2A6

V1.0