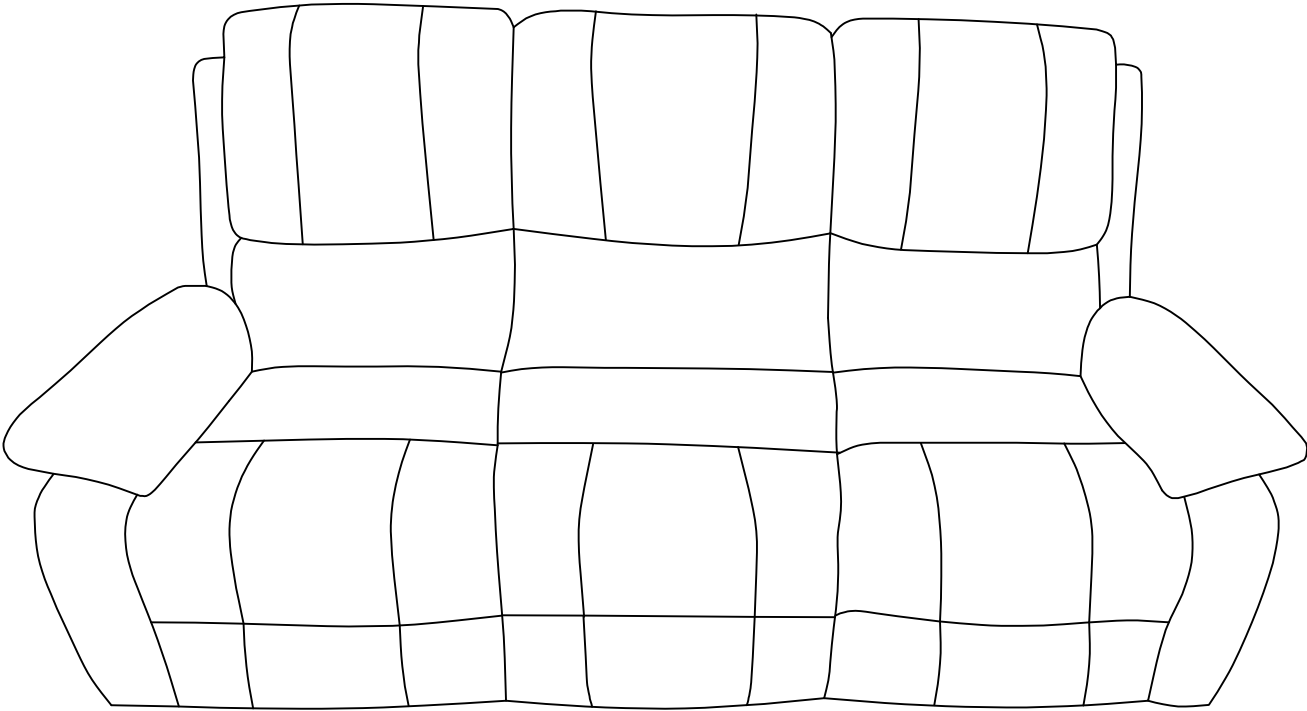
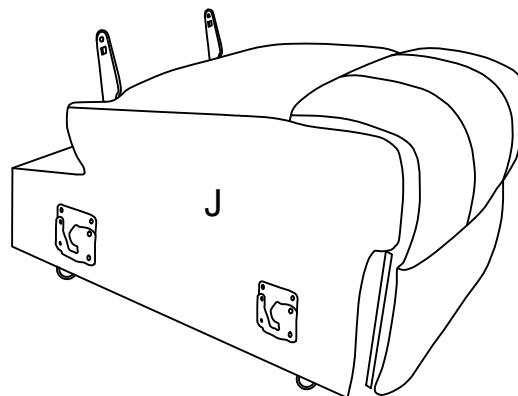
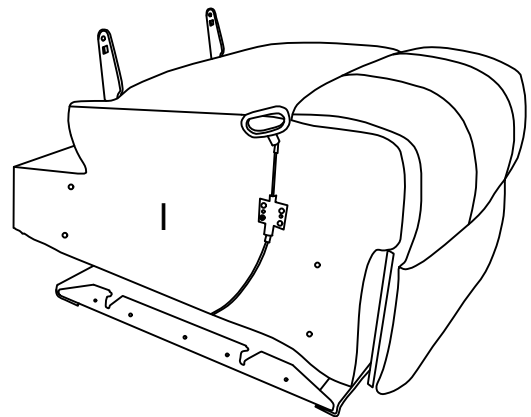
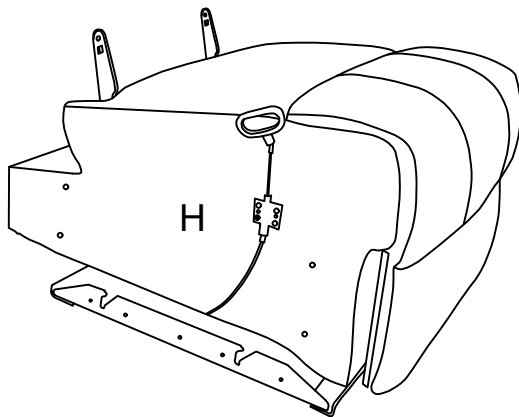
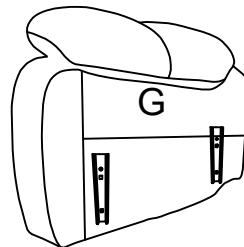
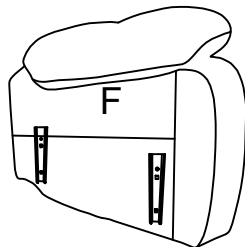
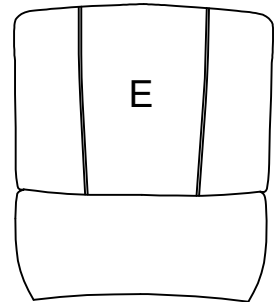
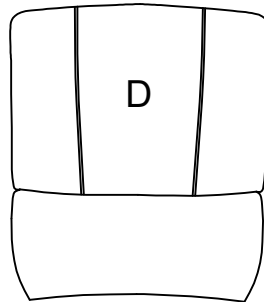
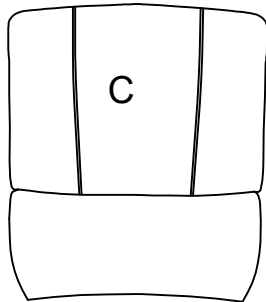


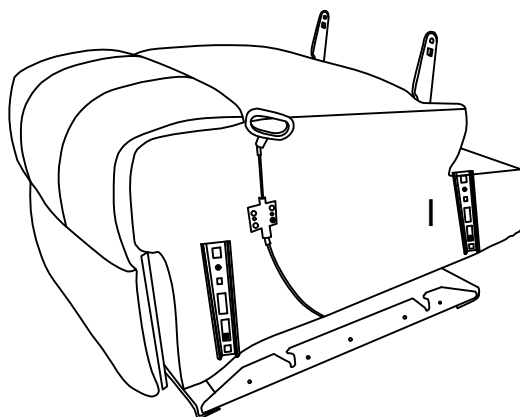
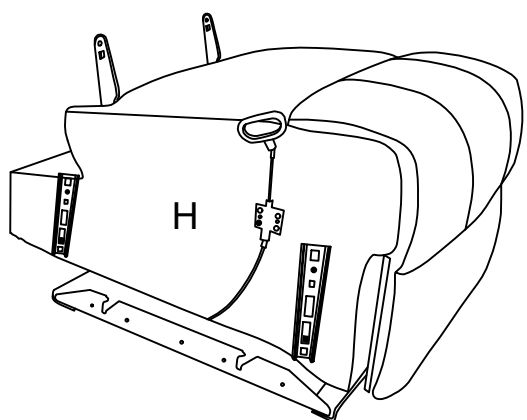
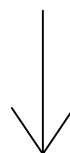
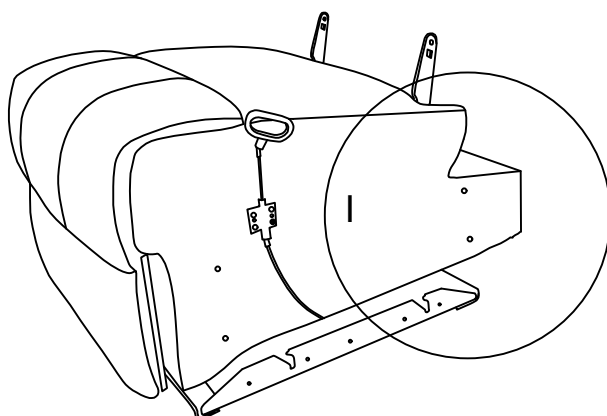
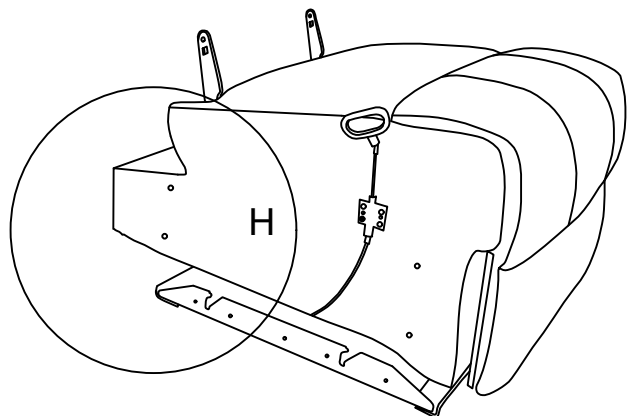
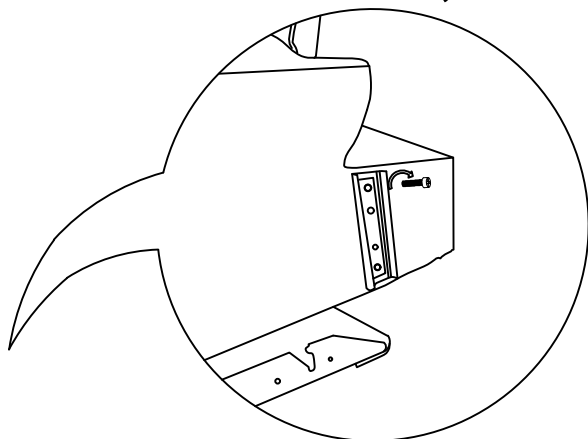
# 3-Seater Sofa



Hello, you shall receive the following parts for the 3-seater sofa.

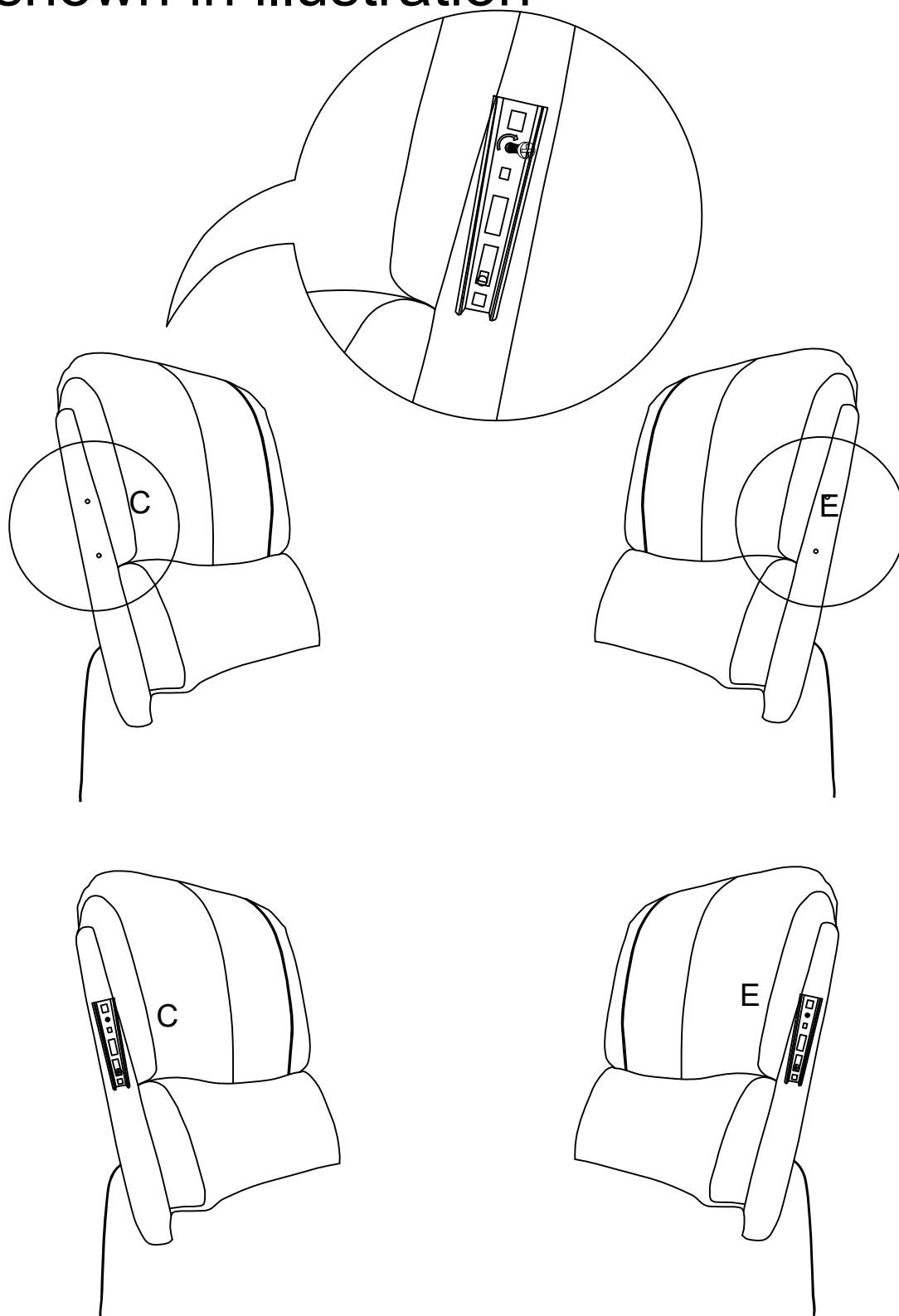


Choose H and install 2 plugs on the left side of the seat. Choose I and install 2 plugs on the right side of the seat, As shown in illustration.

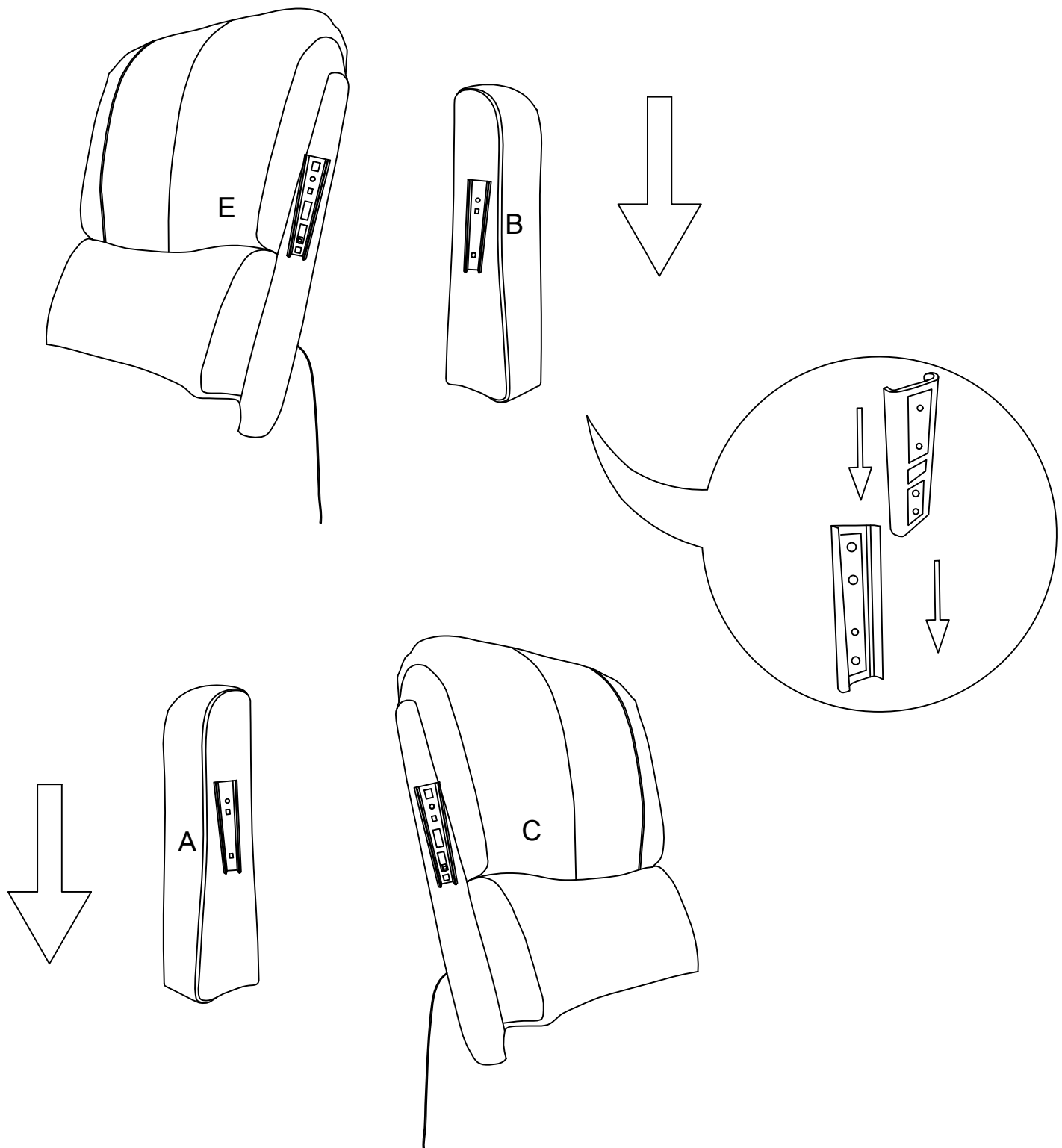


Choose C and install 1 plug on the left side of the backrest. Choose E and install 1 plug on the right side of the backrest.

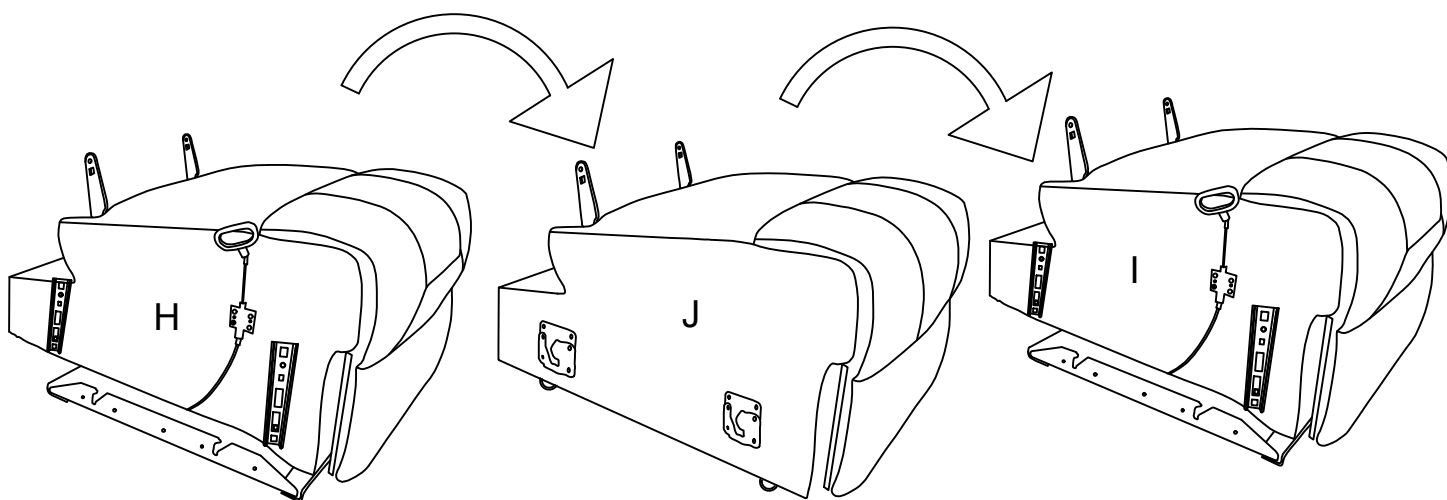
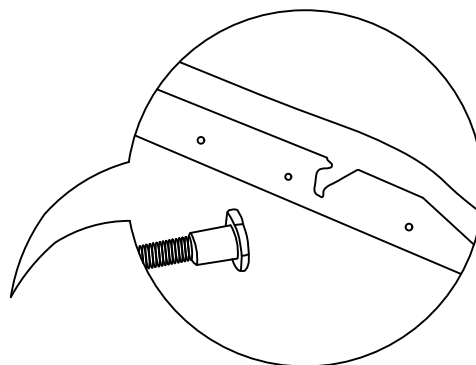
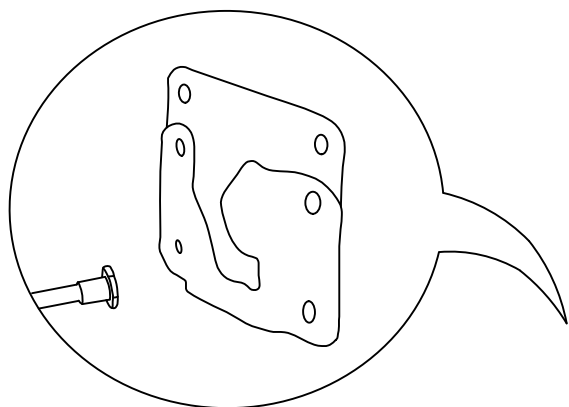
As shown in illustration



# Back assembly (Align the buckle on the back with the plug-in)



# Seat assembly(Assembling three seats together)



# Integral Assembly

