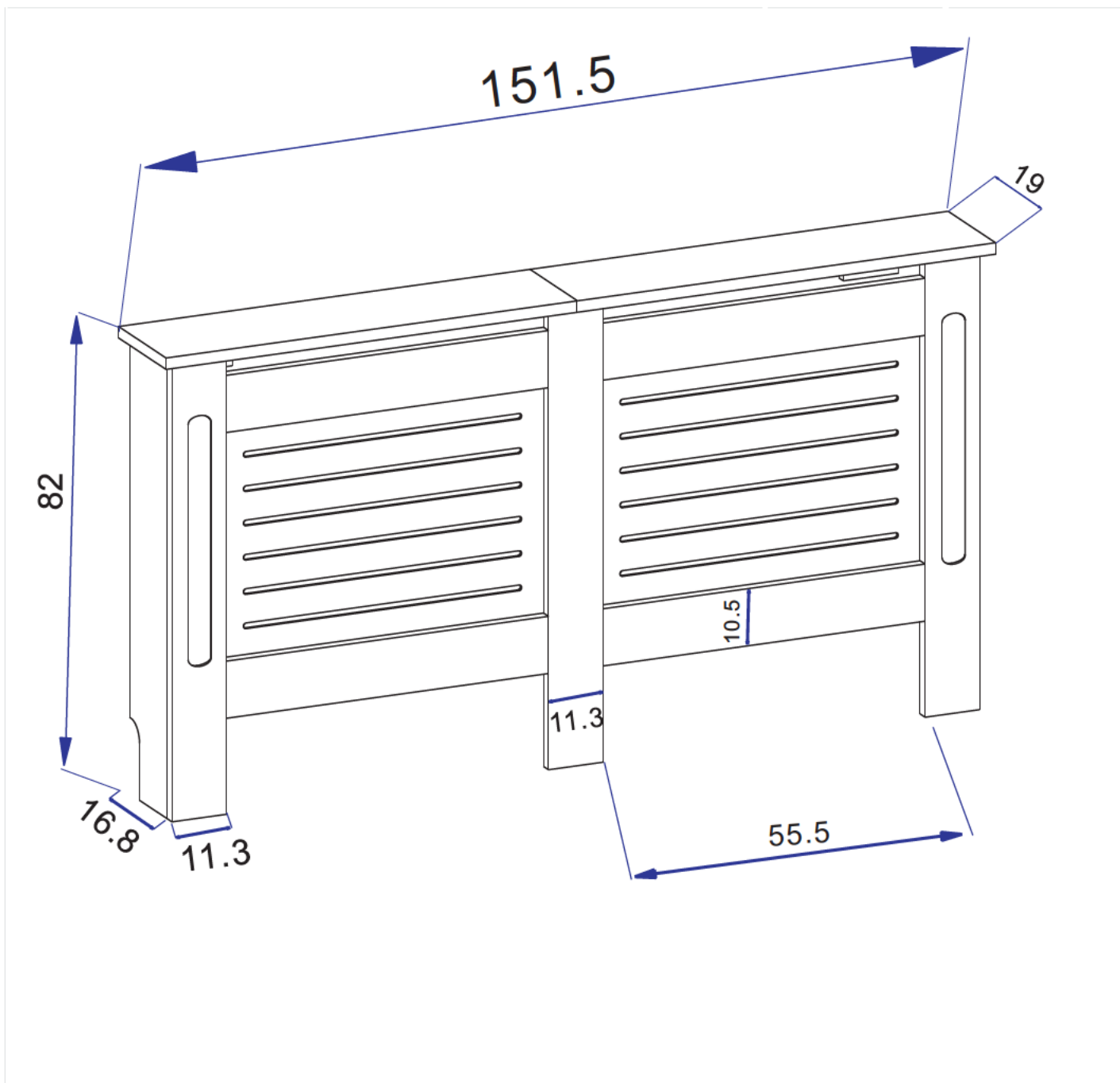



**Assembly Instructions – Please keep for future reference**



Dimensions	No. people	Assembly Time	OW #
Width: 151.5 cm Depth: 19 cm Height: 82 cm		60 mins (approx.)	00000 / 00000 00000 / 00000

**Important – Please read these instructions fully before starting assembly**

If you need help or have damaged or missing parts, please email [aftersales@gpmfurniture.co.uk](mailto:aftersales@gpmfurniture.co.uk)

## Safety and Care Advice

### Important – Please read these instructions fully before starting assembly

- ξ Check you have all the components and tools listed on pages 4 and 5.
- ξ Remove all fittings from the plastic bags and separate them into their groups.
- ξ Keep children and animals away from the work area, small parts could choke if swallowed.
- ξ Make sure you have enough space to lay out the parts before starting.
- ξ Do not stand or put weight on the product, this could cause damage.
- ξ Assemble the item as close to its final position (in the same room) as possible.
- ξ Assemble on a soft, level surface to avoid damaging the unit or your floor.
- ξ We do not recommend the use of power drill/drivers for inserting screws, as this could damage the unit. Only use hand screwdrivers.
- ξ Dispose of all packaging carefully and responsibly.



### Glass Warnings

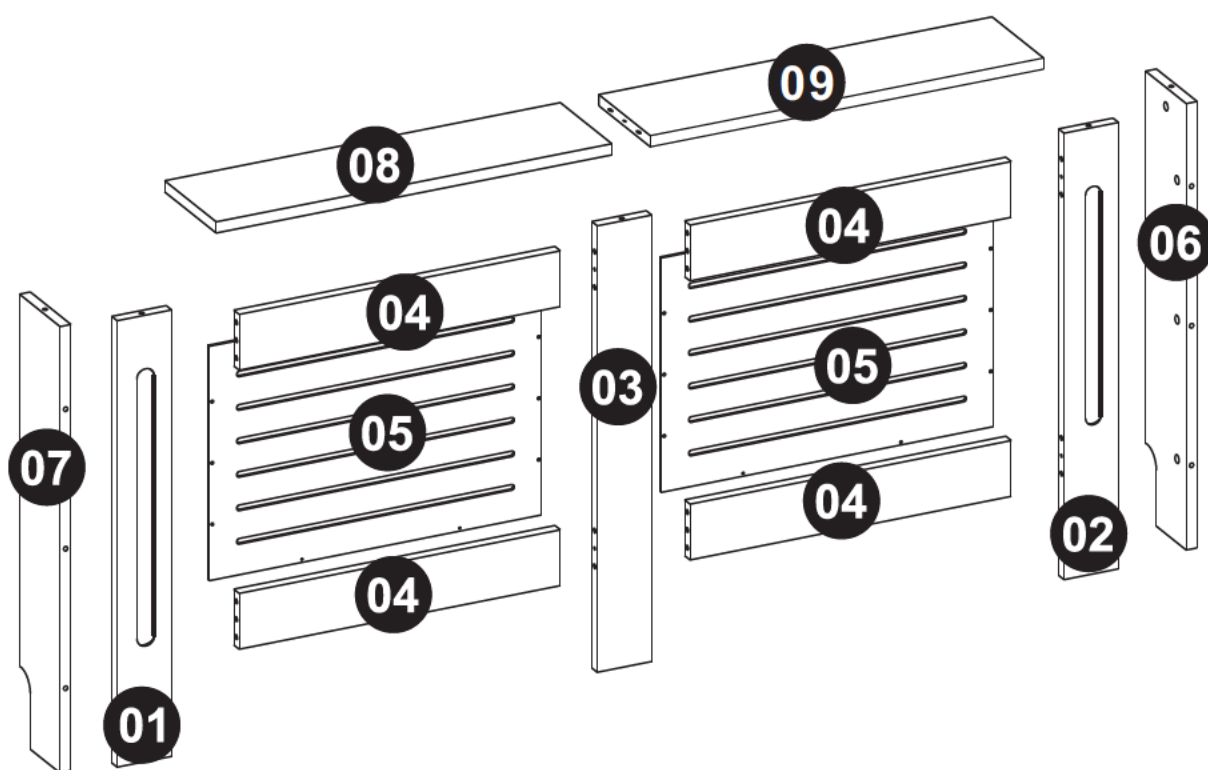
1. Do not place very hot or very cold items against or in close proximity to glass surfaces unless an adequately thick insulating material is used to prevent such items from coming into contact with the glass.
2. Do not strike the glass with hard or pointed items.
3. When cleaning glass panels or mirrors use a damp cloth or leather with washing up liquid or soft soap if necessary: do not use washing powders or any other substance containing abrasives since these substances can scratch glass.
4. It is essential that this unit is fixed to a wall with the fixings provided (if applicable).
5. The class of glass used complies with Class **x** of BS6206  
This product complies with BS7449: 1991  
Imported by Global Procurement and Marketing Ltd  
**xxmm** thickness tempered glass  
Model no. **xxx** Batch no. **xxx**  
Dimensions: **00 x 00 x 00mm**
6. If a glass component is chipped or broken, replace with glass of the type described above. Consult the manufacturer, retailer or agent with regard to obtaining a manufacturing specification and shape for replacement glass quoting the model number and batch number or date of manufacture.

### Care and Maintenance

- ξ Only clean using a damp cloth and mild detergent, do not use bleach or abrasive cleaners.
- ξ From time to time check that there are no loose screws on this unit.
- ξ This product should not be discarded with household waste. Take to your local authority waste disposal centre.

**If you are unhappy with the product and wish to return it,  
please follow the retailer's returns procedure.**

# Exploded View














# Components - Fixings

Please check that you have all the components listed below before constructing your item.

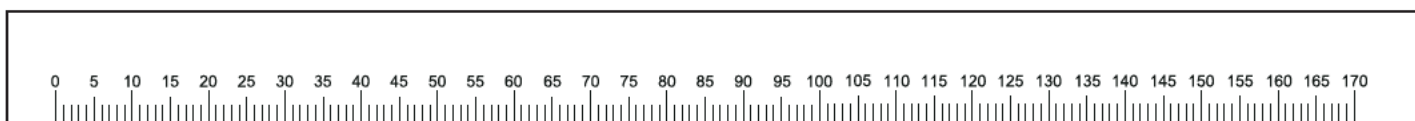
**Note:** The quantities below are the correct amount to complete the assembly. In some cases more fittings may be supplied than are required.

(A)	CAM lock dowel x20 	(B)	CAM lock x20 	(C)	Wood dowel x16 	(D)	Screw x28 
(E)	Screw x4 	(F)	Wall anchor x4 	(G)	Wood block x2 	(H)	Wood dowel x3 
(I)	Iron sheet x1 	(J)		(K)		(L)	
(M)		(N)		(O)		(P)	
(Q)		(R)		(S)		(T)	
(U)		(V)		(W)		(X)	

## Tools Required



Ruler – Use this to measure your screws (mm)

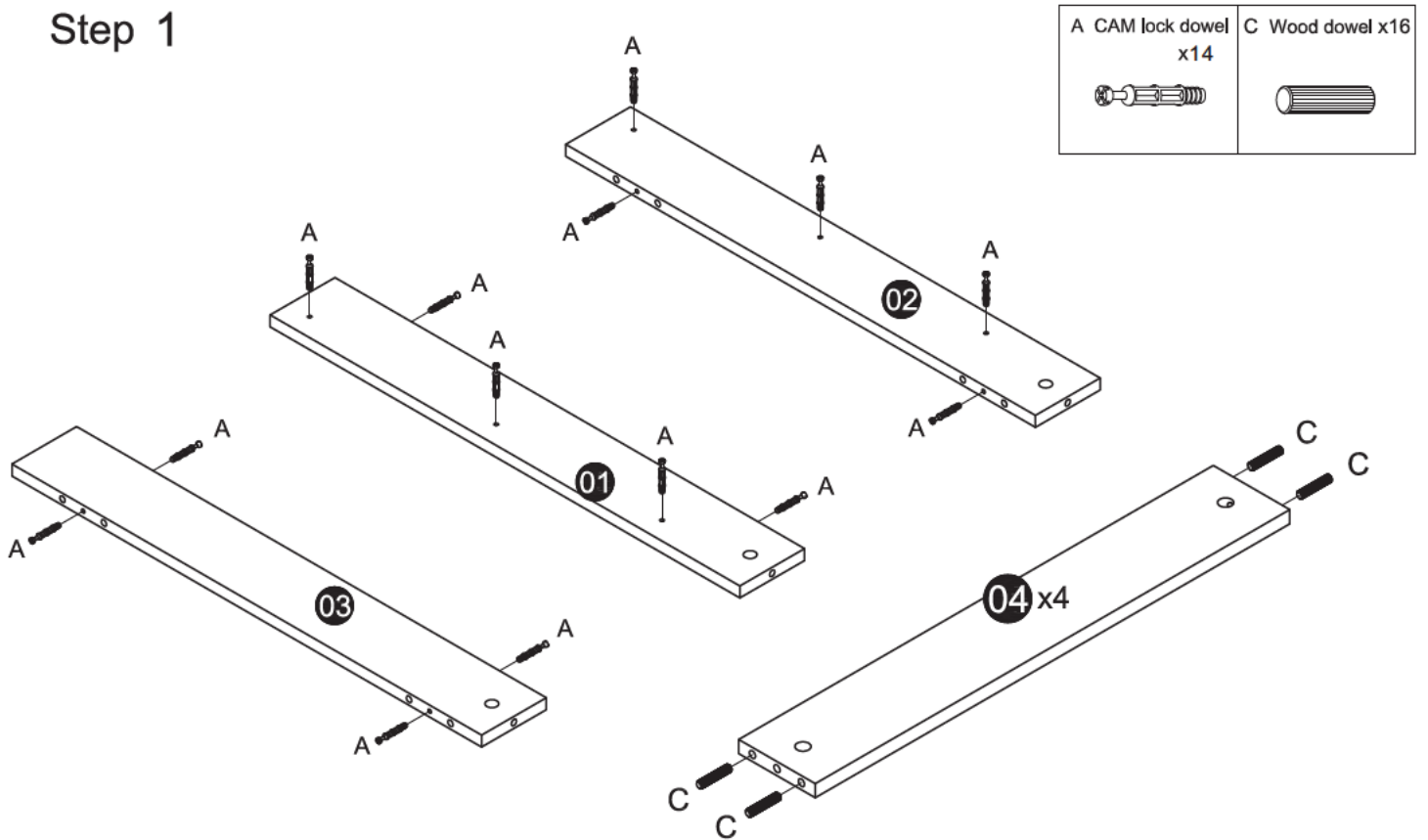


**Important** – Please read these instructions fully before starting assembly

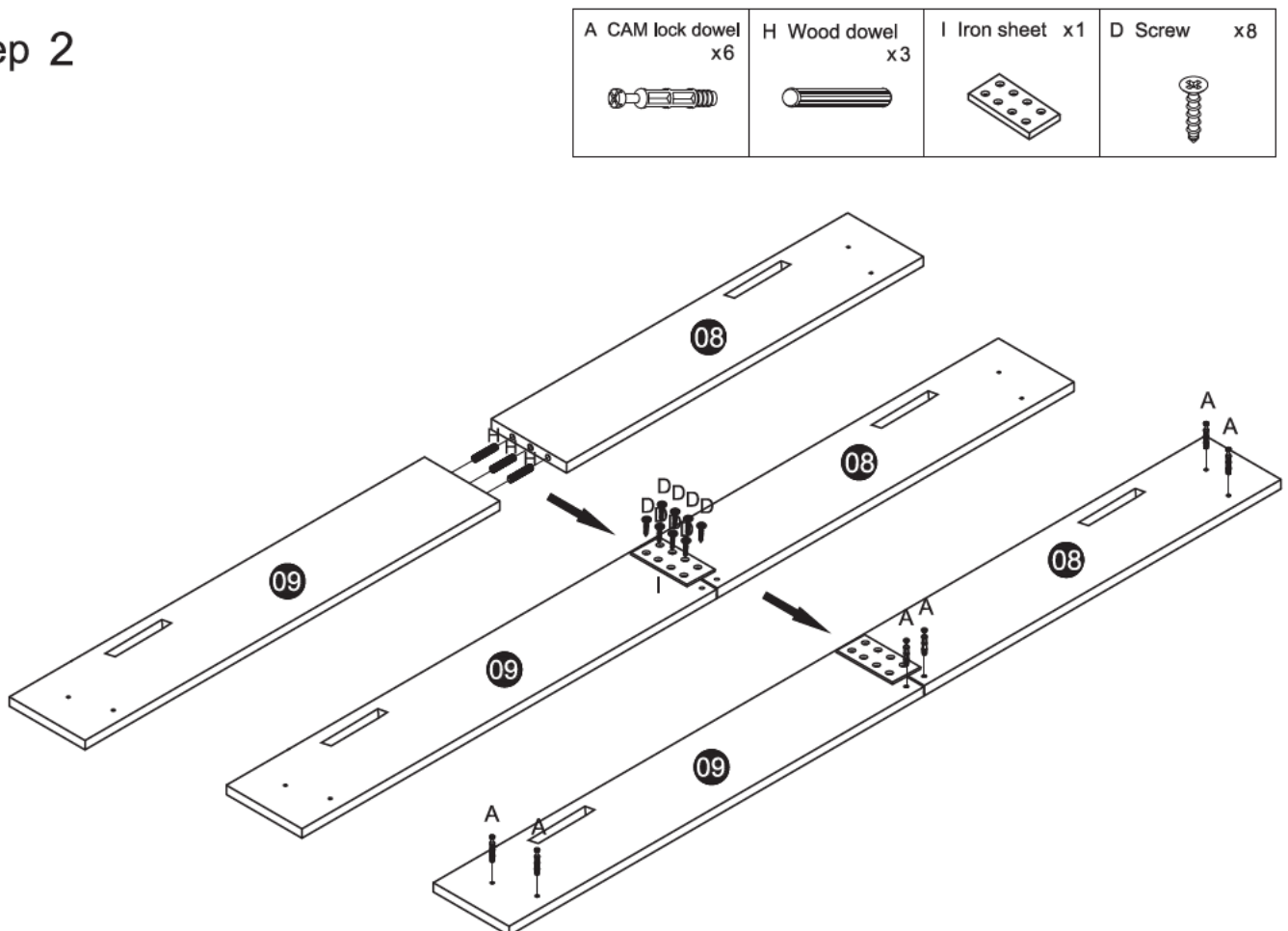
If you need help or have damaged or missing parts, please email [aftersales@gpmfurniture.co.uk](mailto:aftersales@gpmfurniture.co.uk)

# Assembly Instructions

## Step 1



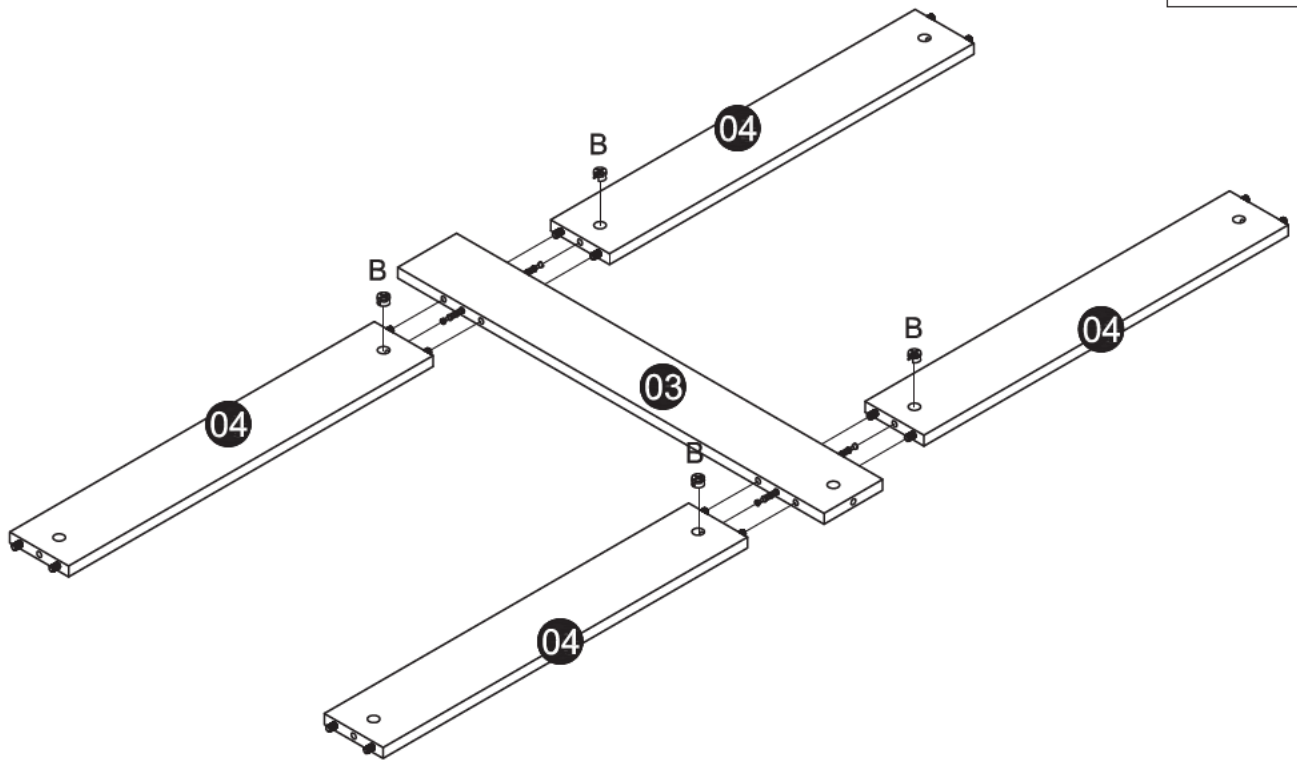
## Step 2



# Assembly Instructions

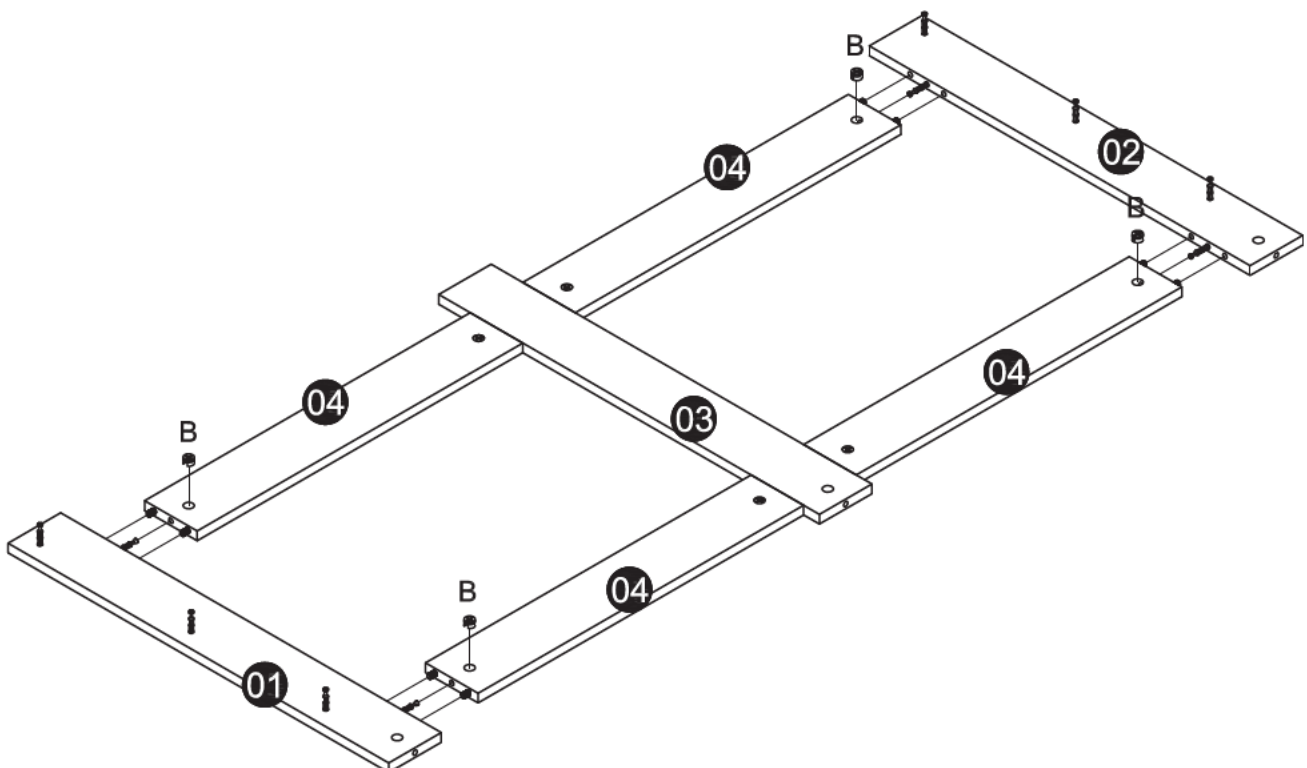
## Step 3

B CAM lock x4



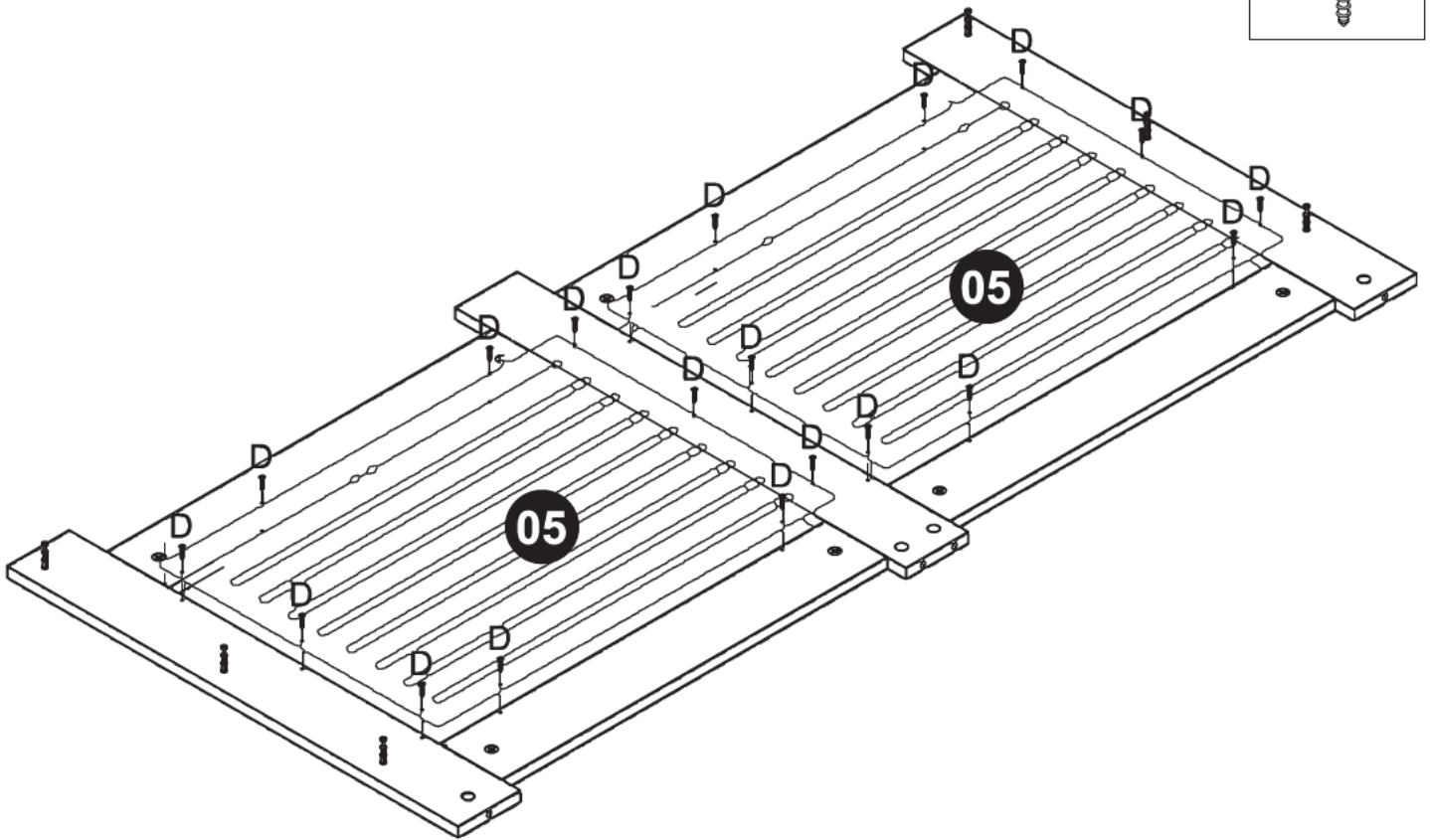
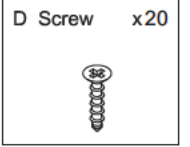
## Step 4

B CAM lock x4

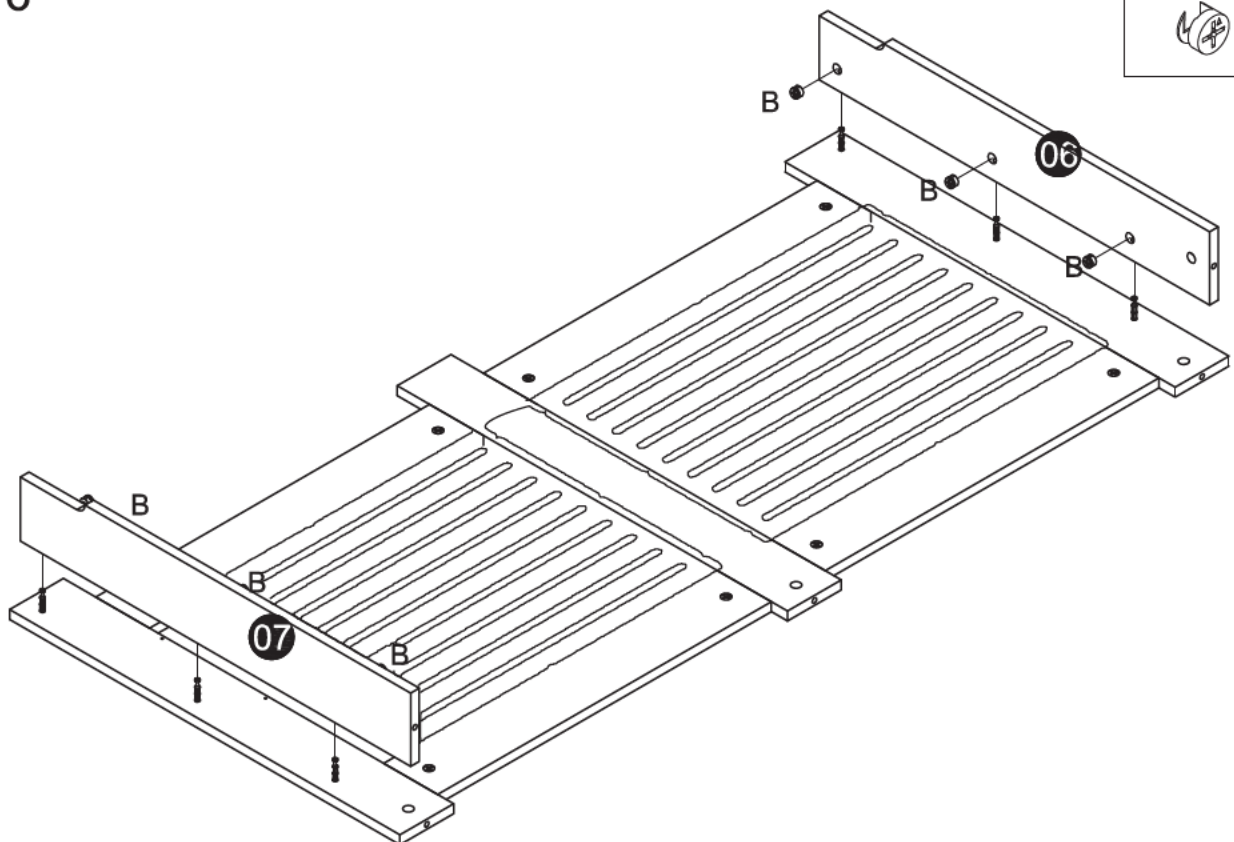
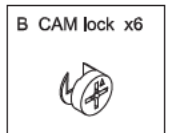


# Assembly Instructions

## Step 5



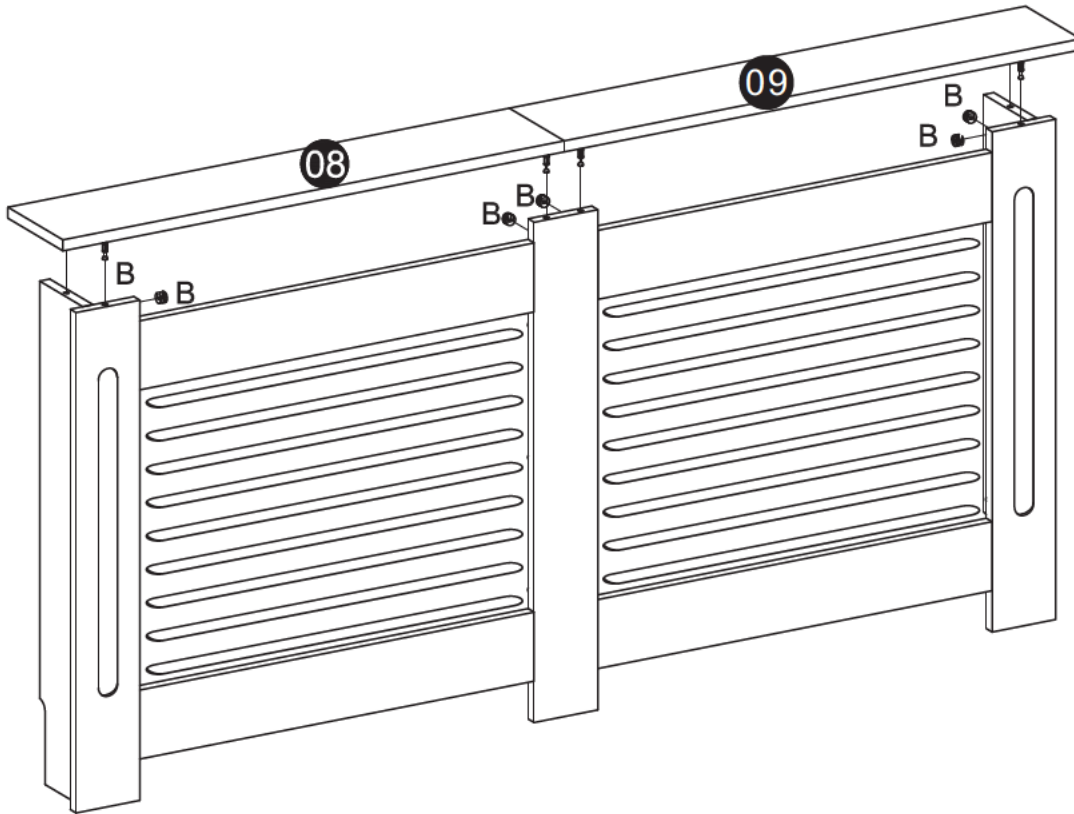
## Step 6



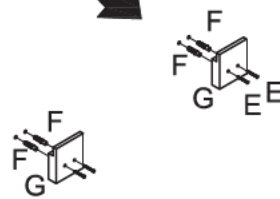
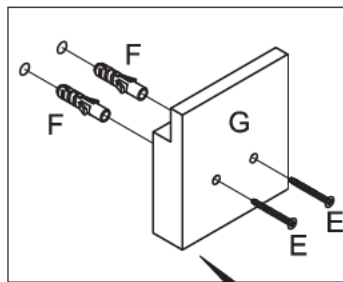
# Assembly Instructions

## Step 7

B CAM lock x6



## Step 8



F Anti-falling accessory x4	G Wood block x2	E Screw x4

# Assembly Instructions

---

Step 9

