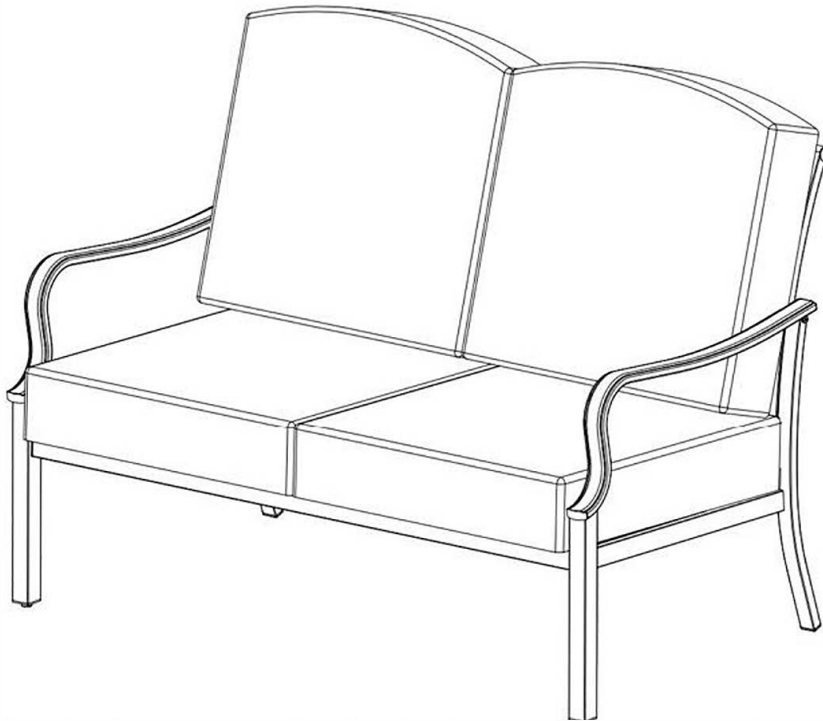
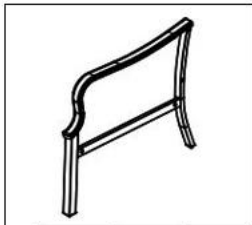


# 2-seat Sofa with Seat & Back Cushion Assembly Manual



- Prior to assembly, please confirm all of the parts listed included.
- All bolts should be tightened before use. Maybe, you need allen wrench for assembly.
- Missing part? Damaged? Contact us



A 1PC



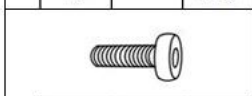
B 1PC



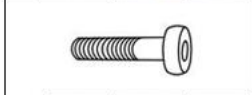
C 1PC



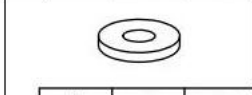
D 1PC



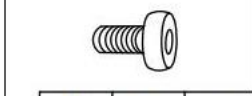
E M6\*30 4PCS



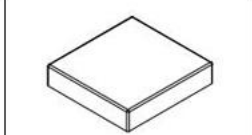
F M6\*42 4PCS



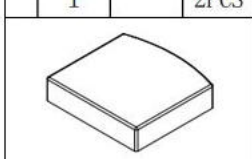
G D6 9PCS



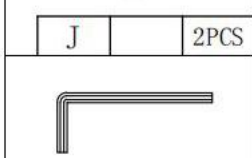
H M6\*18 1PC



I 2PCS



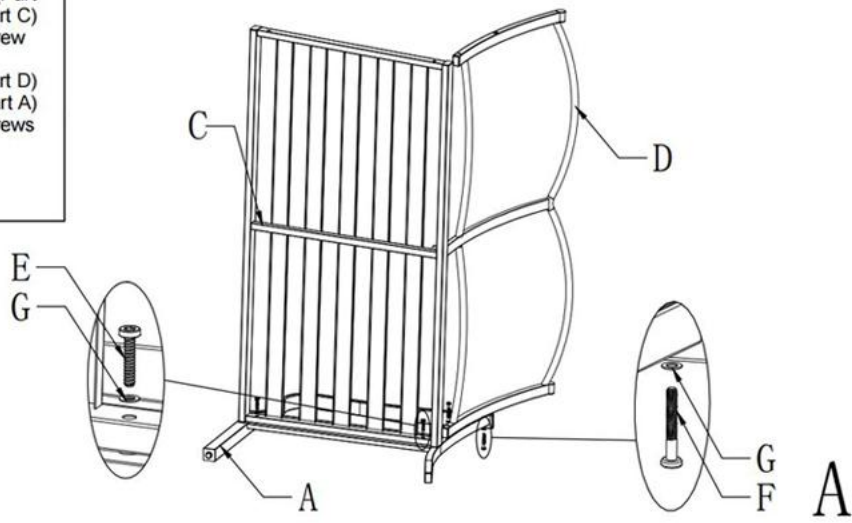
J 2PCS



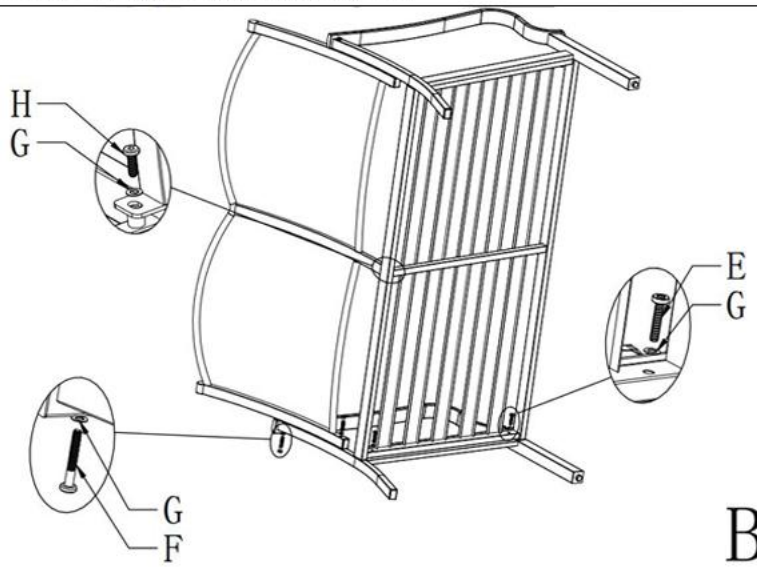
K S4 1PC

⚠ Please don't tighten the screws until the last step.

Assemble armrest (Part A) and the seat (Part C) with Part G and Screw (Part E).  
Assemble back (Part D) and the Armrest(Part A) with Part G and Screws (Part F).



Assemble armrest (Part B) and the seat (Part C) with Part G and Screw(Part E).  
Assemble back (Part D) and the Armrest(Part B) with Part G and Screws(Part F).  
Assemble back (Part D) and the seat(Part C) with Part G and the Screws (Part H).  
After all the screws are assembled in place, tighten them together.



Put on the cushions(Part I and J).

