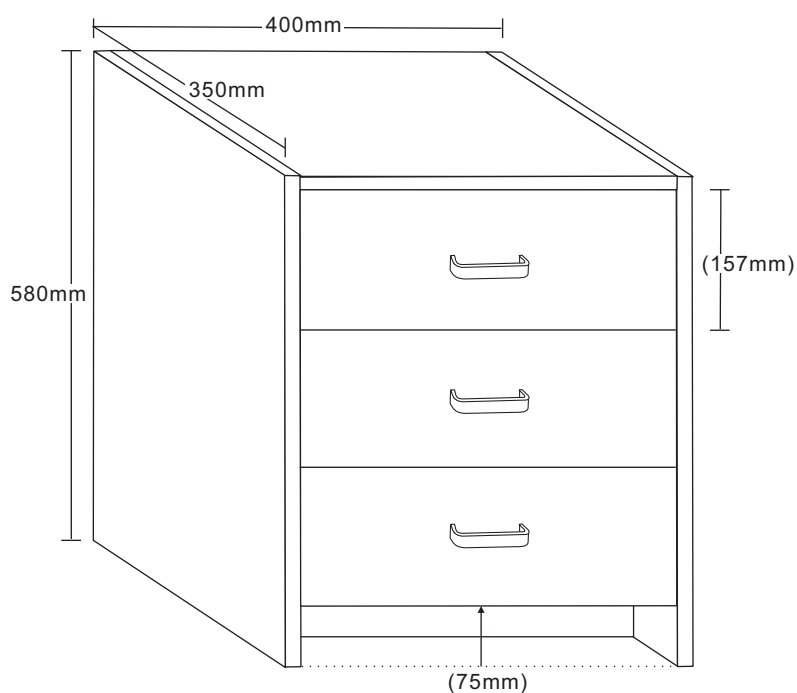



STRATFORD 3 DRAWER BEDSIDE

Assembly instruction- Please keep for future reference



Dimensions	No. People	Assembly Time	OW#
Width: 40 cm Depth: 35 cm Height: 58 cm		90 mins (approx)	BSB 1001 / BSB 1002 BSB 1003 / BSB 1004

Important-Please read these instructions fully before starting assembly

⚠ Safety and Care Advice

Important-Please read these instructions fully before starting assembly

- Check you have all the components and tools listed on pages 2,3 and 4.
- Remove all fittings from the plastic bags and separate them into their groups.
- Keep children and animals away from the work area, small parts could choke if swallowed.
- Make sure you have enough space to lay out the parts before starting.
- Do not stand or put weight on the product, this could cause damage.
- Assemble the item as close to its final position (in the same room) as possible.
- Assemble on a soft, level surface to avoid damaging the unit or your floor.
- We do not recommend the use of power drill/drivers for inserting screw, as this could damage the unit. only use hand screwdrivers.
- Dispose of all packaging carefully and responsibly.

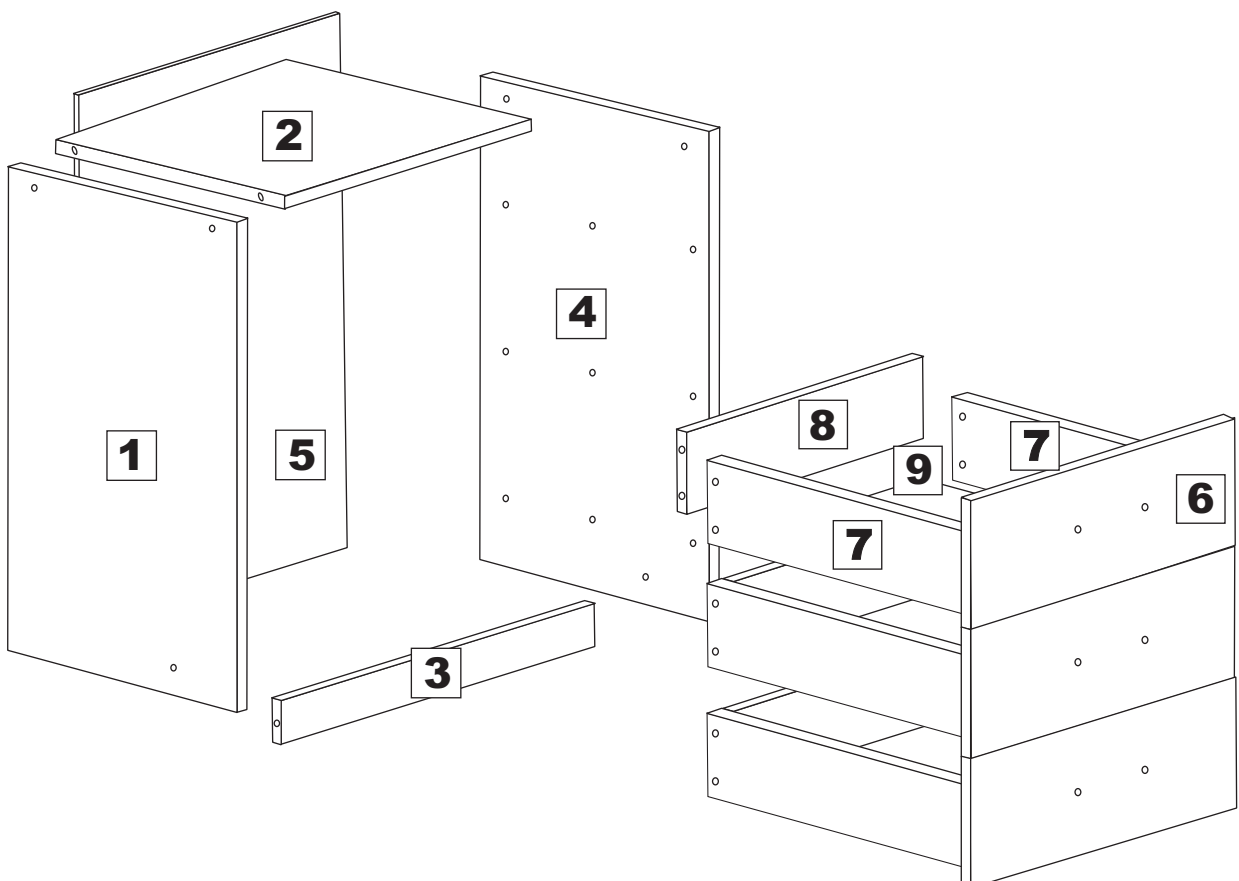


Care and Maintenance

- Only clean using a damp cloth and mild detergent, do not use bleach or abrasive cleaners.
- From time to time check that there are no loose screws on this unit.
- This product should not be discarded with household waste. Take to your local authority waste disposal centre.

If you are unhappy with the product and wish to return it, please following the retailer's returns procedure.

Components - Panels







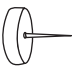

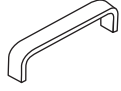
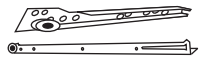



Components - Fixings




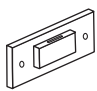

Please check that you have all the components listed below before constructing your item.

Note: The quantities below are the correct amount to complete the assembly. In some cases more fittings may be supplied than are required.

HARDWARE

(A)  JCBC M5 X 40mm X 6	(B)  M4 X 32mm X 12	(C)  M3.5 X 14mm X 30	(D)  Button Head 20mm X 6	(E)  Nail X 32	(F)  Dowel (M8X25) X 6
(G)  Leg Pin X 4	(H)  Bolt Nut Mini Fit set X 6 set	(I)  Handle X 3	(J)  Drawer Slide 12" X 3 set	(K)  Allen Key X 1	

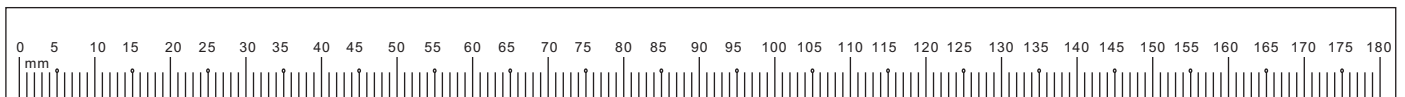
ANTI - TIPPING KITS

(L)  M4 X 32mm X 2	(M)  M3.5 X 20mm X 2	(N)  Wall Plug X 2	(O)  Bracket X 2	(P)  Strap X 1	
--	--	--	--	--	--

Tools Required (Not Provided)



Ruler - Use this to measure your screws (mm)

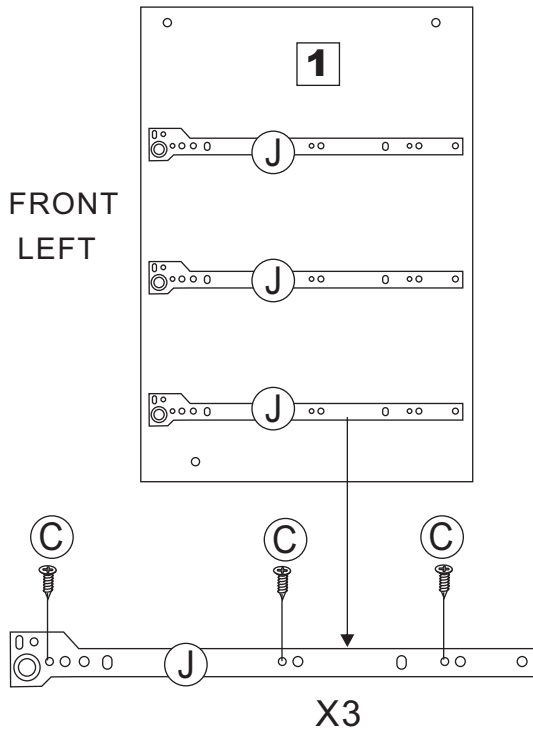


Important-Please read these instructions fully before starting assembly

Assembly Instructions

Step 1

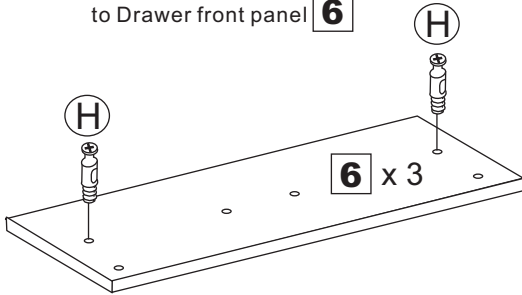
Attach drawer slide rail (J) to Panel boards **1** & **4** with screw (C) using a screw driver onto the specific pre-drilled pilot holes as shown below.



Step 2

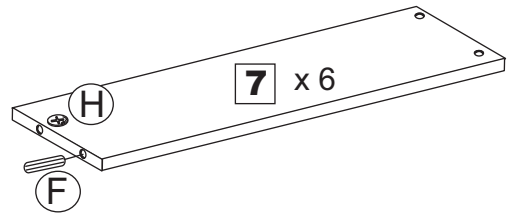
Step 2a

Attach minifit bolt (H) using a screw driver to Drawer front panel **6**



Step 2b

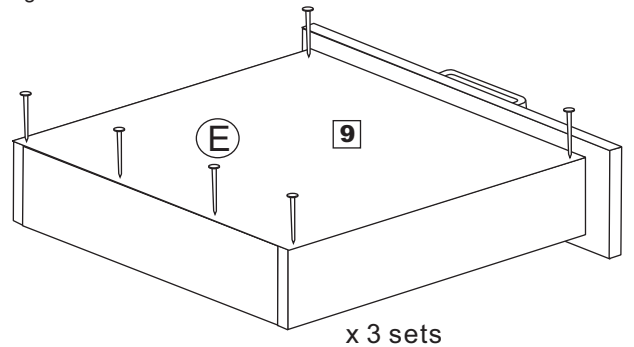
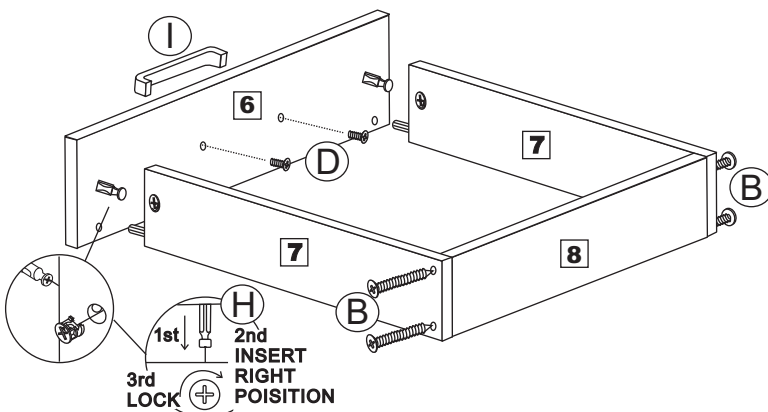
Attach Dowel (F) and Minifit Nut (H) to Drawer side panel **7**



Step 3

Step 3a

Attach Handle (I) to drawer front panel **6** with Bolt (D) using a screw driver.



Step 3c

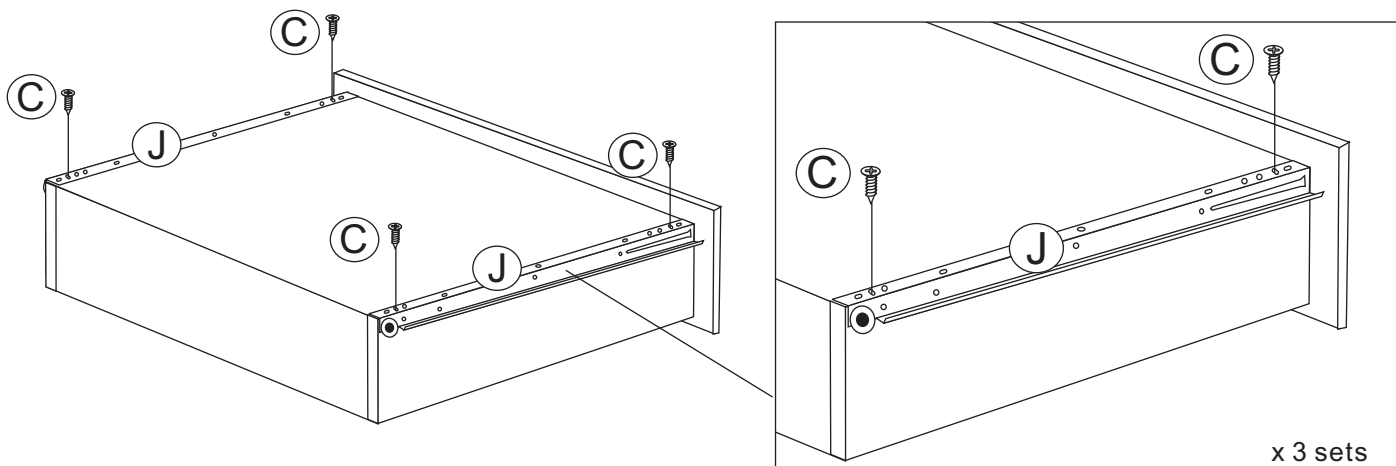
Attach base board **9** with nail (E) to the drawer base using a small hammer.

Step 3b

Fasten drawer side panel **7** to front panel **6** with minifit. Secure the drawer back panel **8** with screw (B) using a screw driver.

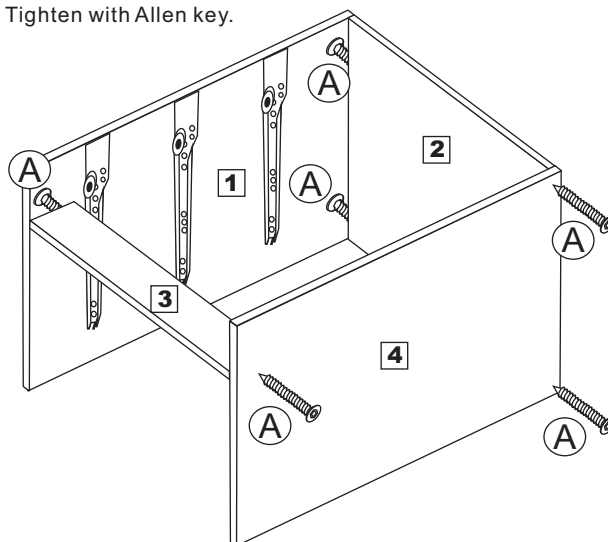
Step 4

Attach drawer slide rail (J) to drawer base with screw (C) and tighten with screw driver.



Step 5

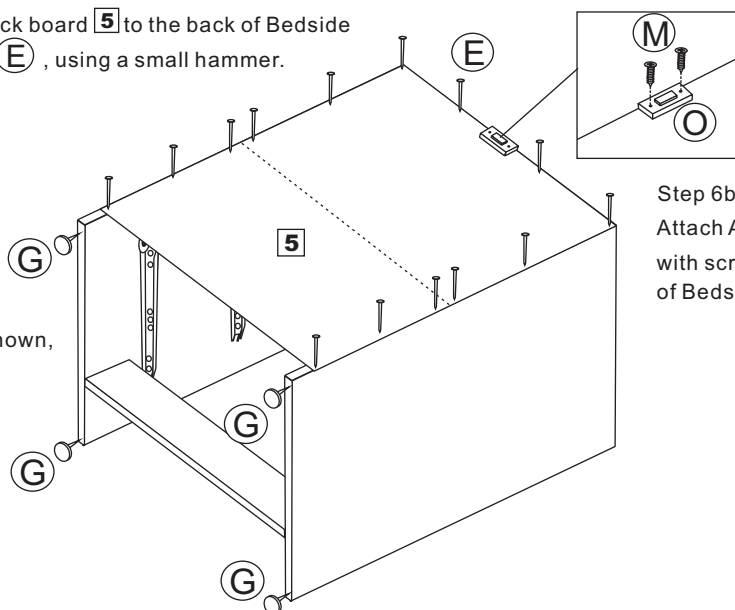
Attach the Side Panel (1) & (4) to Top panel (2) and Stretcher panel (3) with screw (A). Tighten with Allen key.



Step 6

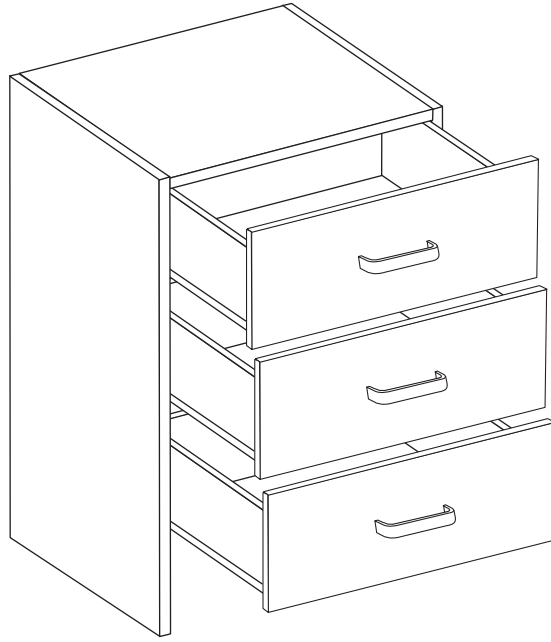
Step 6a Attach Back board (5) to the back of Bedside with Nail (E), using a small hammer.

Step 6c
Attach Leg pin (G) as shown, using a small hammer.



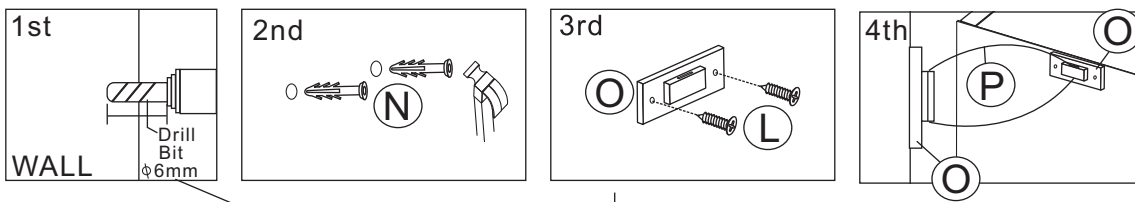
Step 7

Slide in all the 3 drawers into the bedside carcass frame.



Step 8

Attach the Anti-tipping kit onto wall following the steps as shown.



Assembly Complete