

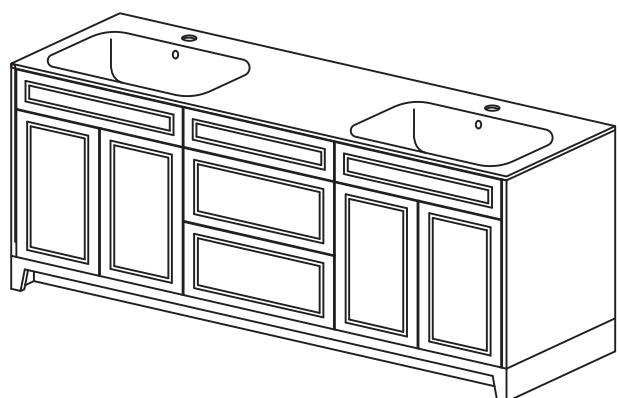
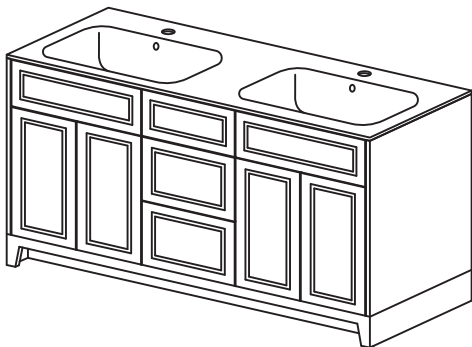
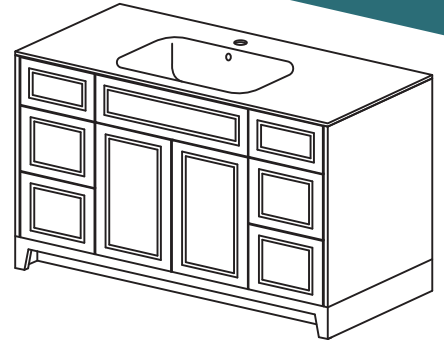
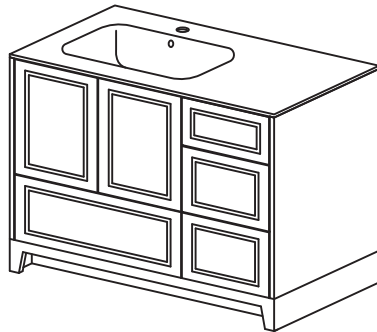
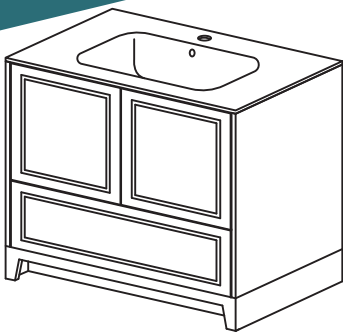
# ZEAFIVE®

## CARE & MAINTAINANCE

### BATHROOM VANITY



PRODUCT  
INSTRUCTION  
VIDEO



To care for and maintain ZEAFFIVE solid wood bathroom vanity cabinet, you can follow these tips:

### 1.Cleaning:

Regularly dust the vanity with a soft, damp cloth to remove any dirt or debris. Avoid using harsh chemicals or abrasive cleaners as they can damage the wood finish.

### 2.Avoid Standing Water:

Wipe up any standing water or spills promptly to prevent damage to the wood.

### 3.Use Wood Cleaner:

Periodically clean the vanity with a wood-specific cleaner to maintain its luster and finish.

### 4.Seal the Wood:

Depending on the type of wood, consider sealing the vanity with a wood sealant to protect it from moisture. Reapply the sealant as needed.

### 5.Avoid Harsh Chemicals:

Avoid using harsh chemicals, ammonia-based cleaners, or abrasive materials on the wood surface as they can cause damage.

### 6.Protect From Direct Sunlight:

If possible, prevent direct sunlight exposure on the vanity to avoid fading or discoloration of the wood.

### 7.Maintain Proper Ventilation:

Ensure there is adequate ventilation in the bathroom to reduce humidity levels, which can affect the wood.

### 8.Inspect for Damage:

Regularly inspect the vanity for any signs of damage, such as scratches or water stains, and address them promptly.

By following these maintenance tips, you can help keep your solid wood bathroom vanity looking beautiful for years to come.

To care for and maintain ZEAFIVE solid wood bathroom vanity cabinet, you can follow these tips:

### 1. Daily Cleaning:

Wipe down the countertop with a mild soap or ammonia-based cleaner and water daily to remove any dirt or residue. Dry the surface with a soft cloth to prevent water spots.

### 2. Avoid Harsh Cleaners:

Do not use abrasive cleaners, scouring pads, or harsh chemicals on the solid surface countertop as they can damage the finish.

### 3. Use Wood Cleaner:

Avoid placing hot items directly on the countertop. Use hot pads or trivets to protect the surface from heat damage.

### 4. Prevent Stains:

Wipe up spills promptly to prevent staining. For tough stains, use a mild household cleaner and a non-abrasive sponge.

### 5. Regular Maintenance:

Periodically clean the countertop with a non-abrasive cleaner or a mixture of water and vinegar. Avoid using bleach or acidic cleaners.

### 6. Avoid Scratches:

Use cutting boards or trivets when working with sharp objects to prevent scratching the solid surface countertop.

### 7. Repair Minor Damage:

For minor scratches or nicks, you can lightly sand the area with fine sandpaper and buff it with a clean cloth to restore the finish.

### 8. Maintain Seams:

Keep the seams of the solid surface countertop clean and dry to prevent mold or mildew growth. Seal any open seams as needed.

By following these maintenance tips, you can keep your solid surface countertop looking clean and beautiful for years to come.