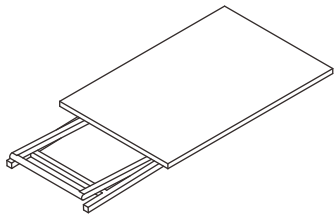
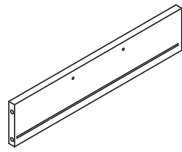


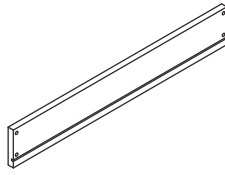
ASSEMBLY INSTRUCCION



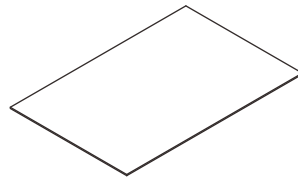
A*1Pc



B*2Pcs



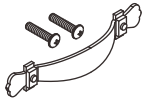
C*2Pcs



D*1Pc

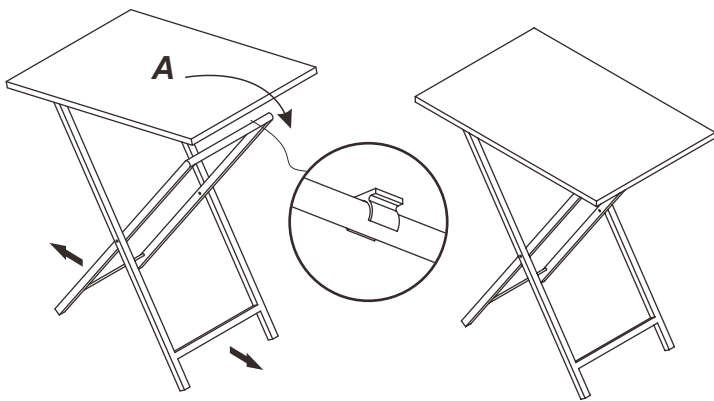


E*8Pcs

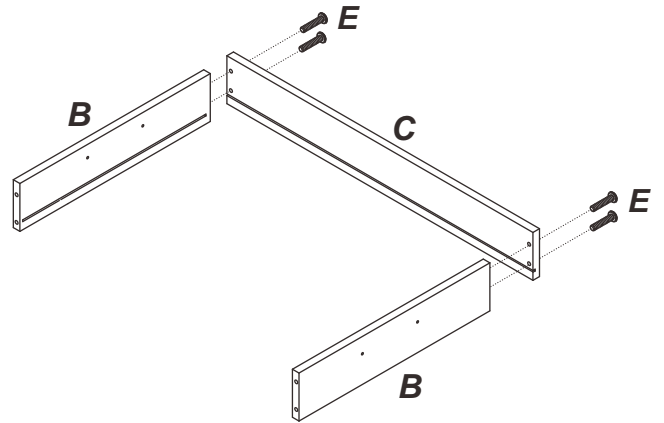


F*2Pcs

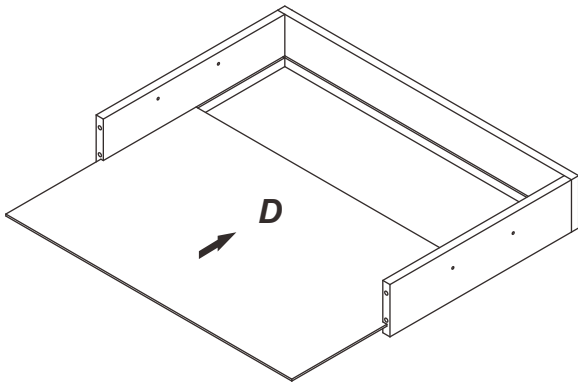
1



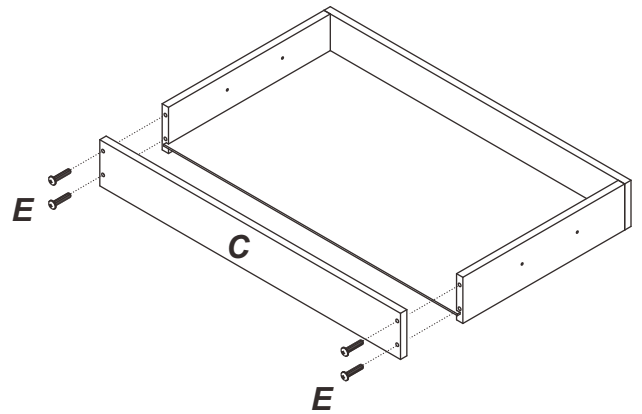
2



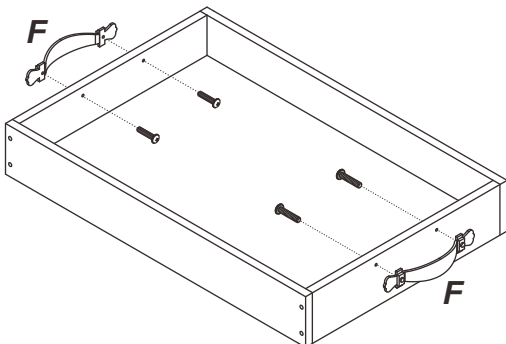
3



4



5



6

