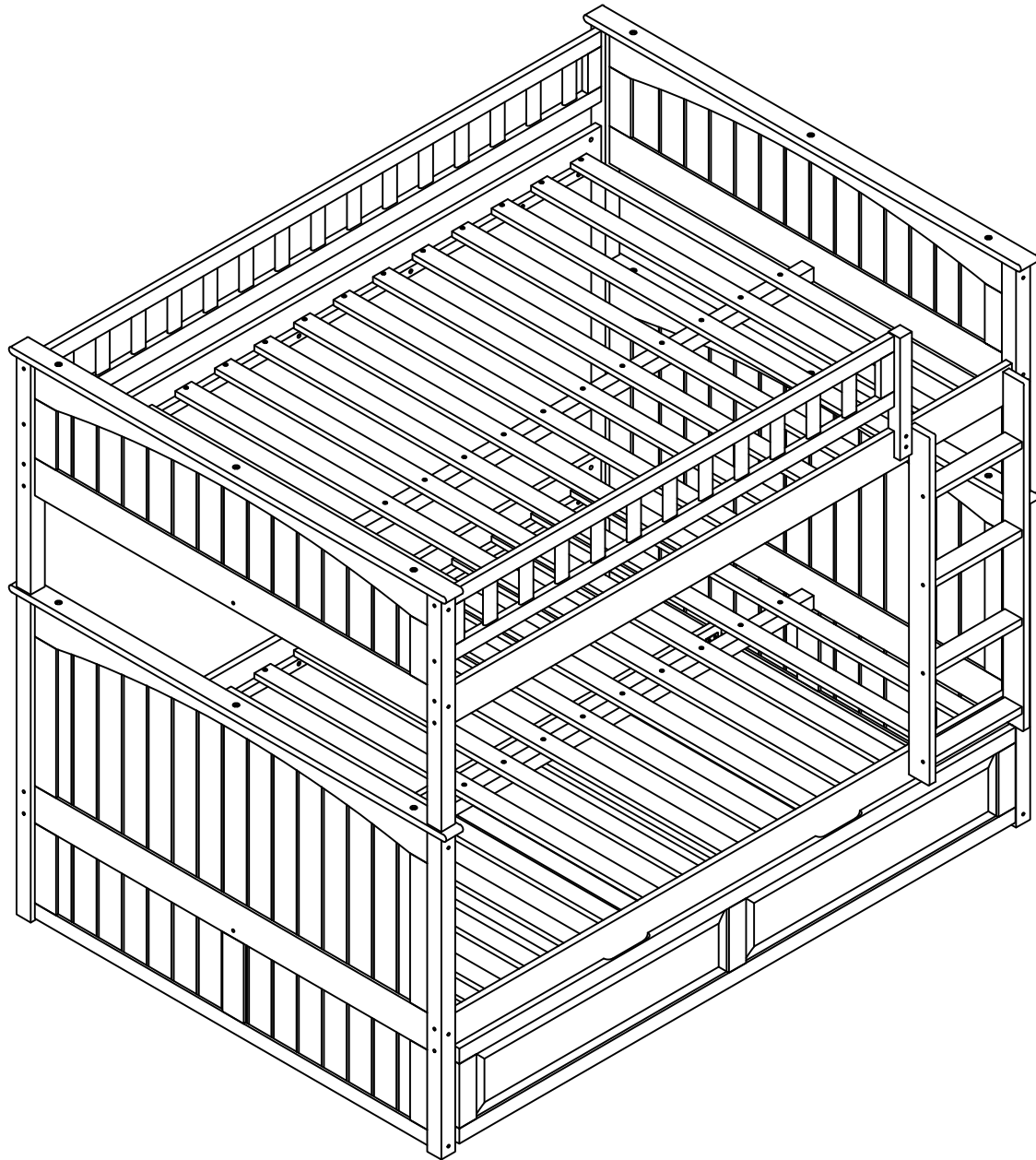


# ASSEMBLY INSTRUCTIONS

## FULL / FULL BUNK BED WITH TRUNDLE



# ASSEMBLY INSTRUCTIONS



## **SAFETY WARNINGS**



1. This bed is designed for use only mattress (es) meeting the following specifications on the upper bunk, and lower bunk:

**Upper bunk (bunk bed and tribed included)**

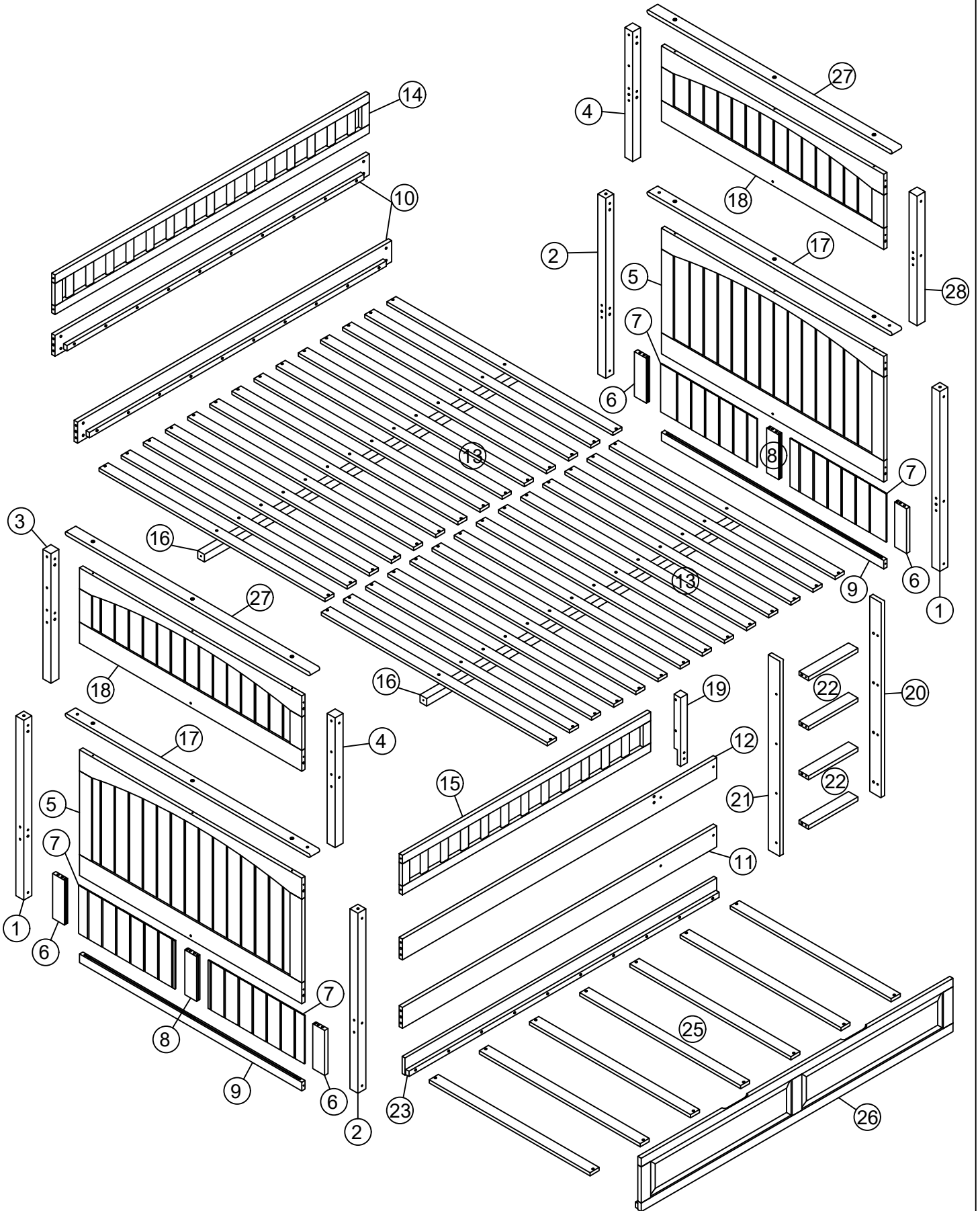
<b>Bed Type</b>	<b>Length</b>	<b>Width</b>	<b>Thickness</b>
Full Standard	74" - 75"	53" - 54"	6" max

**Lower bunk**

<b>Bed Type</b>	<b>Length</b>	<b>Width</b>	<b>Thickness</b>
Full Standard	74" - 75"	53" - 54"	8"

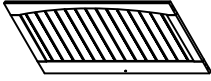

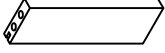


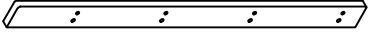

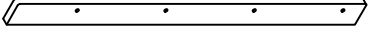

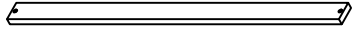
2. Replacement parts, including additional guardrails, maybe obtained from any of our (GIGACLOUD TECHNOLOGY (USA) INC. 18961 ARENTH AVENUE CITY OF INDUSTRY, CA, 91748) dealers
3. Follow the information on the warnings appearing on the upper bunk bed end structure and on the carton. Do not remove warning label from bed.
4. Always use the recommended size mattresses or mattress supports, or both, to help prevent the likelihood of entrapment or falls.
5. Surface of mattress must be at least 5" (127mm) below the upper edge of guardrails.
6. Do not allow children under 6 years of age to use the upper bunk.
7. Periodically check and ensure that the guardrail, ladder, and other components are in their proper position, free from damage, and that all connectors are tight.
8. Do not allow horseplay on or under the bed and prohibit jumping on the bed.
9. Always use the ladder for entering and leaving the upper bunk.
10. Do not use substitute part. Contact the manufacture or dealer for replacement part.
11. Use of a night light may provide added safety precaution for a child using the upper bunk.
12. Always use guardrails on both long sides of the upper bunk. If the bunk bed will be placed next to the wall, the guardrail that runs the full length of the bed should be placed against the wall to prevent entrapment between the bed and wall.
13. The use of water or sleep flotation mattresses is prohibited.
14. STRANGULATION HAZARD - Never attach or hang items to any part of the bunk bed that are not designed for use with the bed; for example, but not limited to, hook, belts and jump ropes.
15. Keep these instruction for future reference.
16. Prohibit more than one person on upper bunk
17. We recommend assembling your bunk bed on the shipping carton to protect your floor or carpet.
18. Be certain all staples are out of the box before beginning assembly on the shipping carton.

# ASSEMBLY INSTRUCTIONS

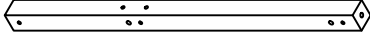
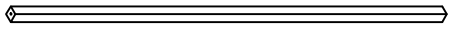
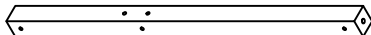


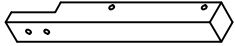
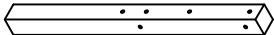
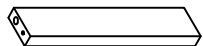
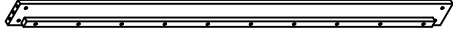
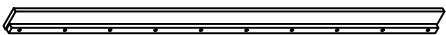
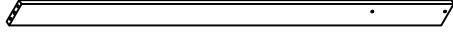
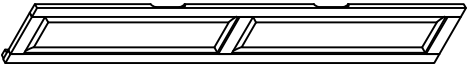
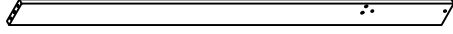

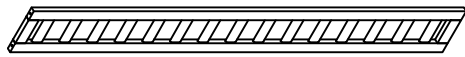




# ASSEMBLY INSTRUCTIONS

## PARTS LIST


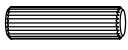

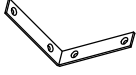

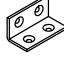



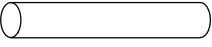


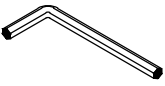


<b>5</b>	Lower bed - Head board upper frames		2pcs	<b>13</b>	Slats - Upper bed 14pcs / Lower bed 14pcs		28pcs
<b>6</b>	Lower bed - Head board vertical Bar		4pcs	<b>18</b>	Upper bed - Head board frame		2pcs
<b>7</b>	Lower bed - Head board lower frames		4pcs	<b>20</b>	Ladder - Right leg		1pc
<b>8</b>	Lower bed - Head board middle Bar		2pcs	<b>21</b>	Ladder - Left leg		1pc
<b>9</b>	Lower bed - Head board bottom panels		2pcs	<b>25</b>	Trundle slats		7pcs

### ( Hardware )

<b>1</b>	Lower bed legs		2pcs	<b>16</b>	Upper & Lower -Slat support		2pcs
<b>2</b>	Lower bed legs		2pcs	<b>17</b>	Lower bed - head board top panel		2pcs
<b>3</b>	Upper bed leg		1pc	<b>19</b>	Upper bed -front guard rail support		1pc
<b>4</b>	Upper bed legs		2pcs	<b>22</b>	Ladder steps		4pcs
<b>10</b>	Upper & lower - side rails		2pcs	<b>23</b>	Trundle - back guard rail		1pc
<b>11</b>	Lower bed - front side rails		1pc	<b>26</b>	Trundle - Front panel		1pc
<b>12</b>	Upper bed - front side rails		1pc	<b>27</b>	Upper bed - head board top panel		2pcs
<b>14</b>	Upper bed -back guard rail frame		1pc	<b>28</b>	Upper bed legs		1pc
<b>15</b>	Upper bed -front guard rail frames		1pc				

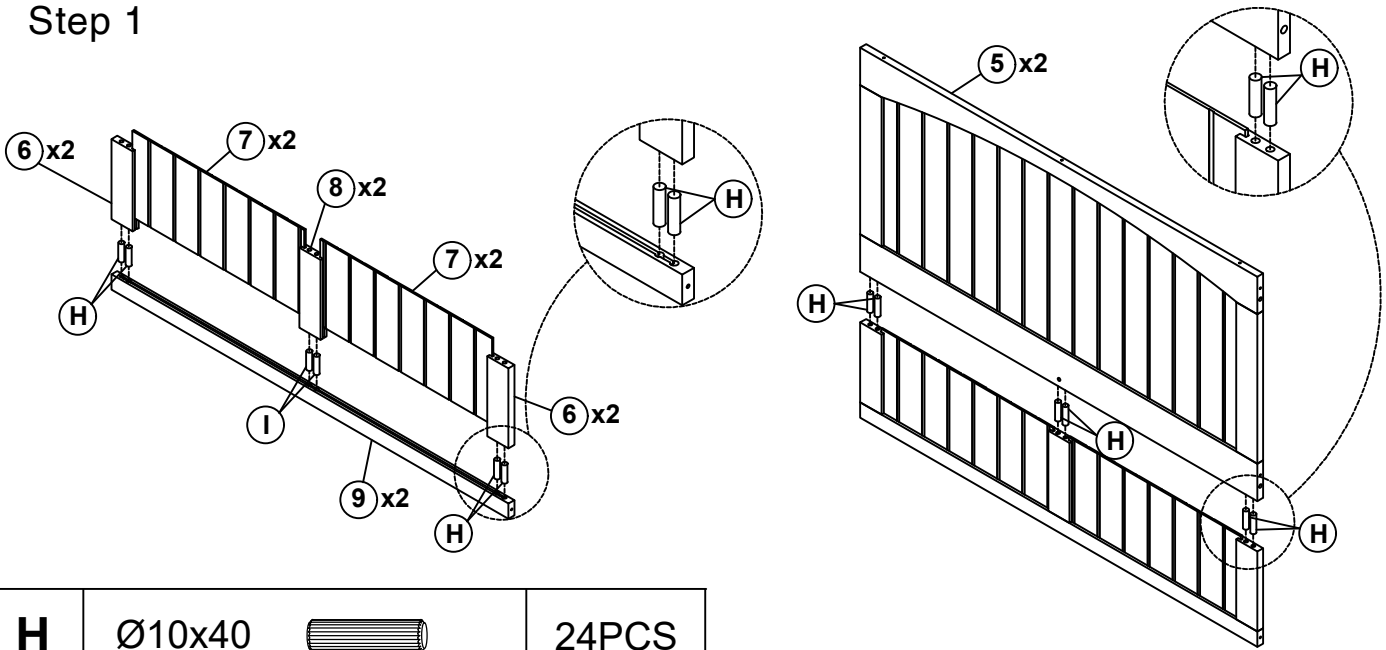
# ASSEMBLY INSTRUCTIONS

## HARDWARE LIST

<b>A</b>	Ø4x30		98PCS	<b>H</b>	Ø10x40		54PCS
<b>B</b>	Ø4x15		32PCS	<b>I</b>	95x95x20		2PCS
<b>C</b>	6.5x90		28PCS	<b>J</b>	40x20x20		2PCS
<b>D</b>	6.5x60		16PCS	<b>K</b>	Ø38x46x38		4PCS
<b>E</b>	6.5x50		12PCS	<b>L</b>	Ø10x100		4PCS
<b>F</b>	1/4x100	 	16PCS	<b>M</b>	4x58		1PC
<b>G</b>	1/4x35	 	2PCS				

# ASSEMBLY INSTRUCTIONS

## Step 1



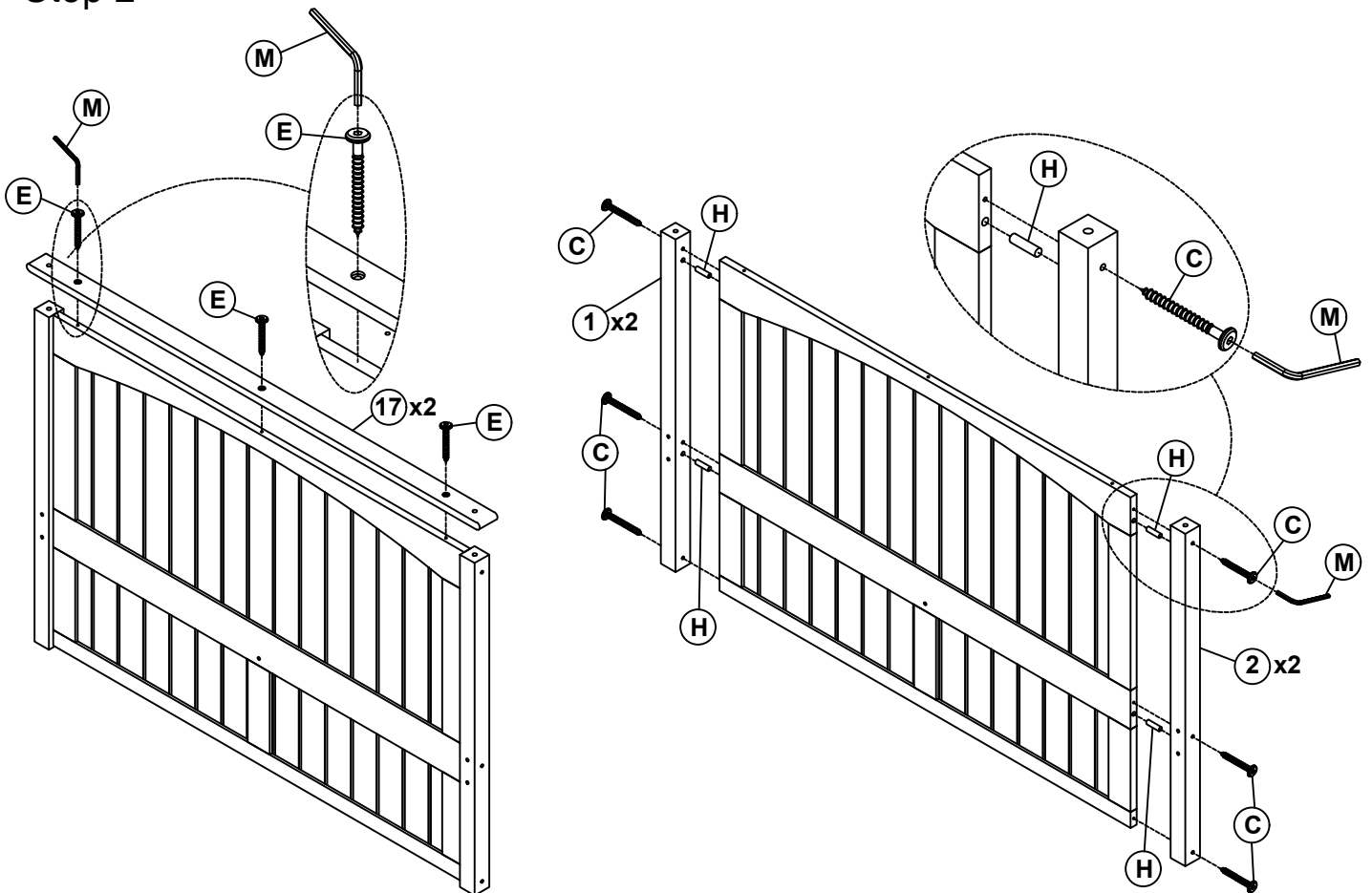
**H**

Ø10x40



24PCS

## Step 2



**C**

6.5x90



12PCS

**E**

6.5x50



6PCS

**H**

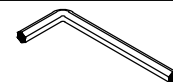
Ø10x40



8PCS

**M**

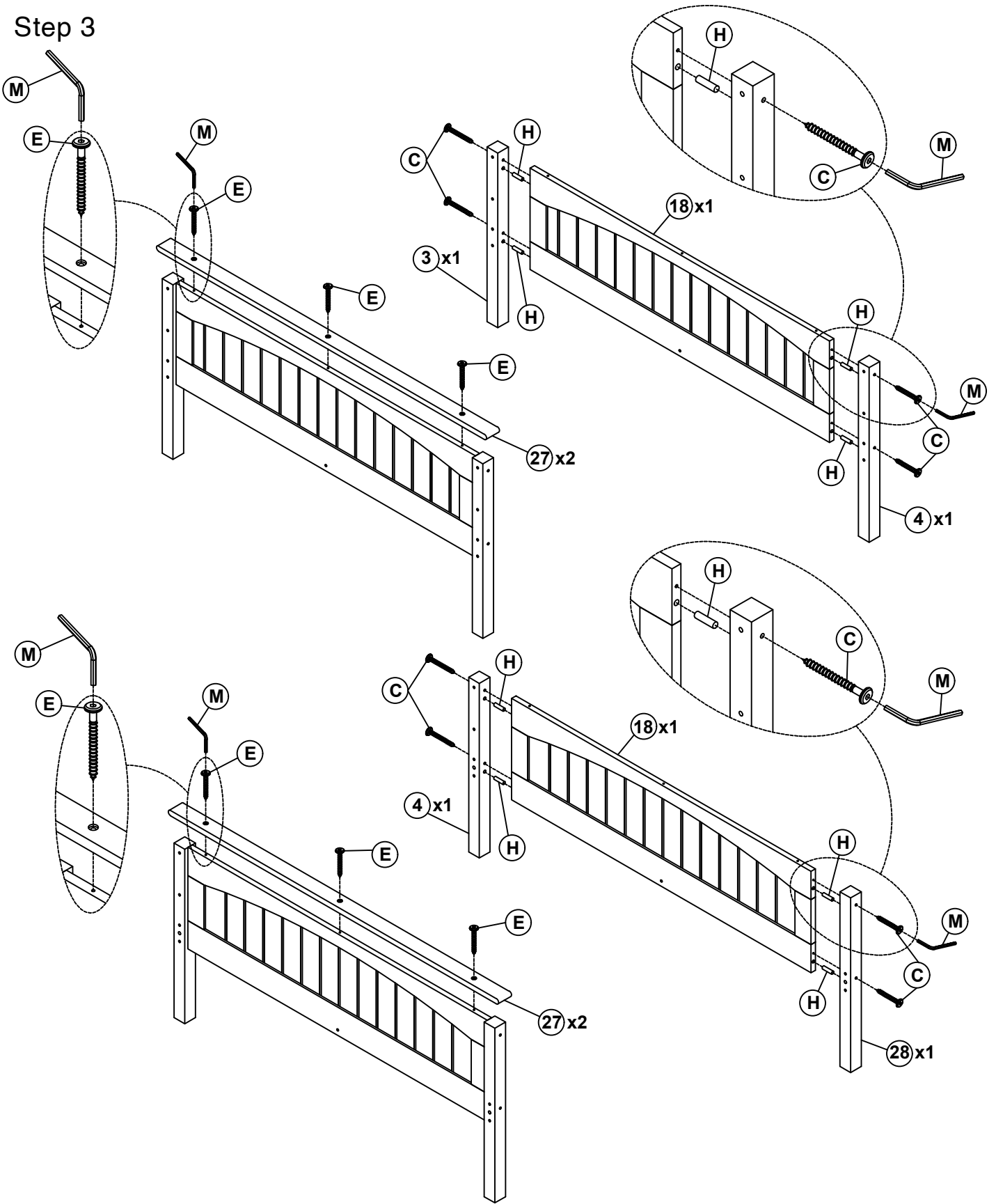
4x58







1PC

# ASSEMBLY INSTRUCTIONS

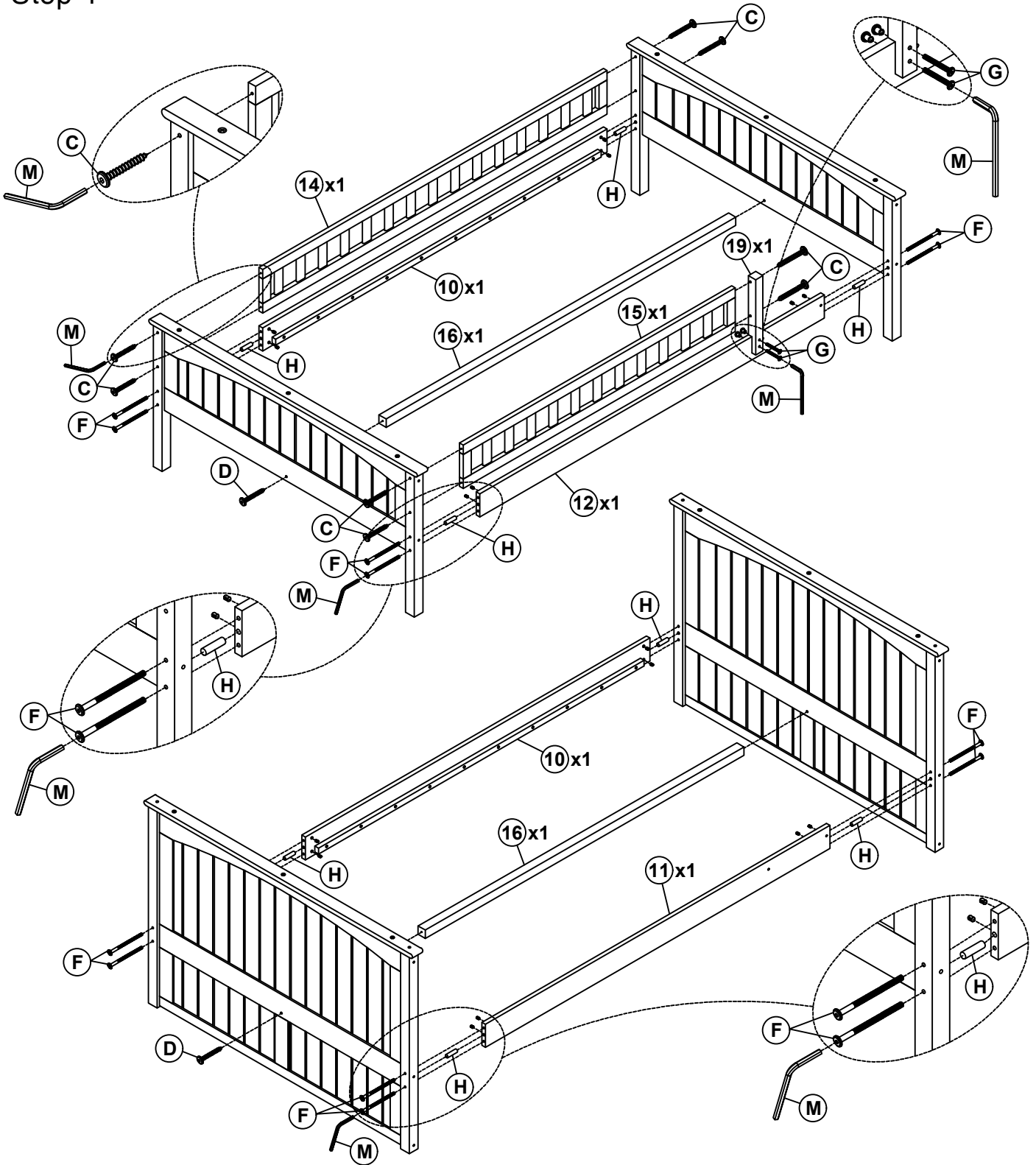
Step 3









<b>C</b>	6.5x90		8PCS	<b>E</b>	6.5x50		6PCS
<b>H</b>	Ø10x40		8PCS	<b>M</b>	4x58		1PC

# ASSEMBLY INSTRUCTIONS

## Step 4

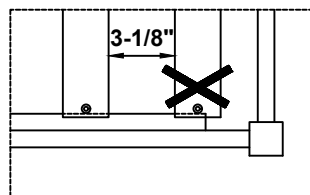
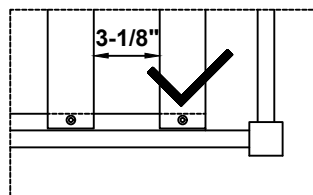
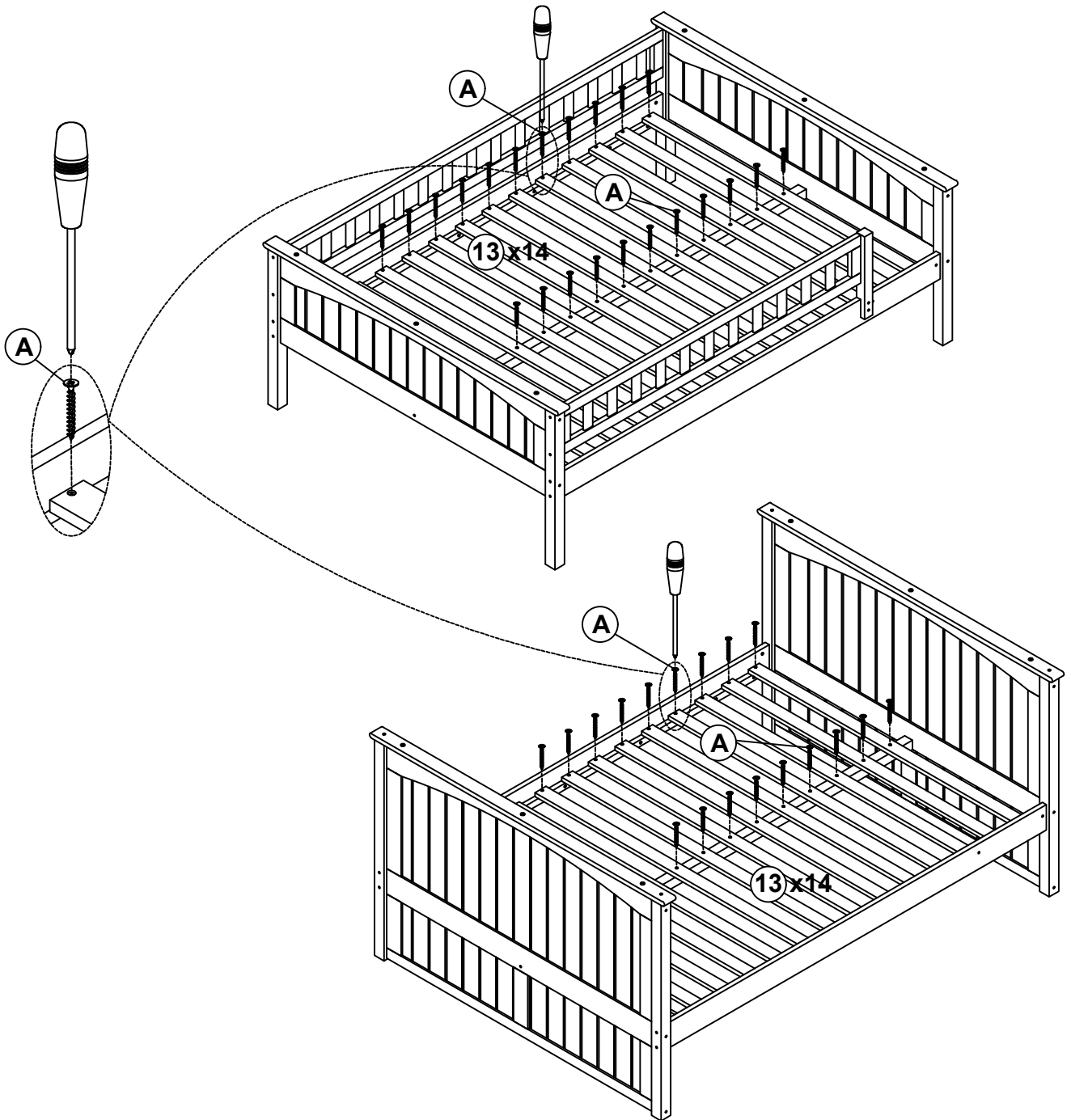


<b>F</b>	1/4x100		16PCS	<b>G</b>	1/4x35		2PCS
<b>C</b>	6.5x90		8PCS	<b>D</b>	6.5x60		4PCS
<b>H</b>	Ø10x40		8PCS	<b>M</b>	4x58		1PC

# ASSEMBLY INSTRUCTIONS

## Step 5

First attach 2 pcs part 13 to the front and end of the frame between headboard.  
Then attach the remaining part 13 equidistantly between headboard



Note : Do not lock the screws of the bed slats to the outermost edge of the bed slats, you need to leave a certain space at the edges, otherwise it will cause the board to break

**A**

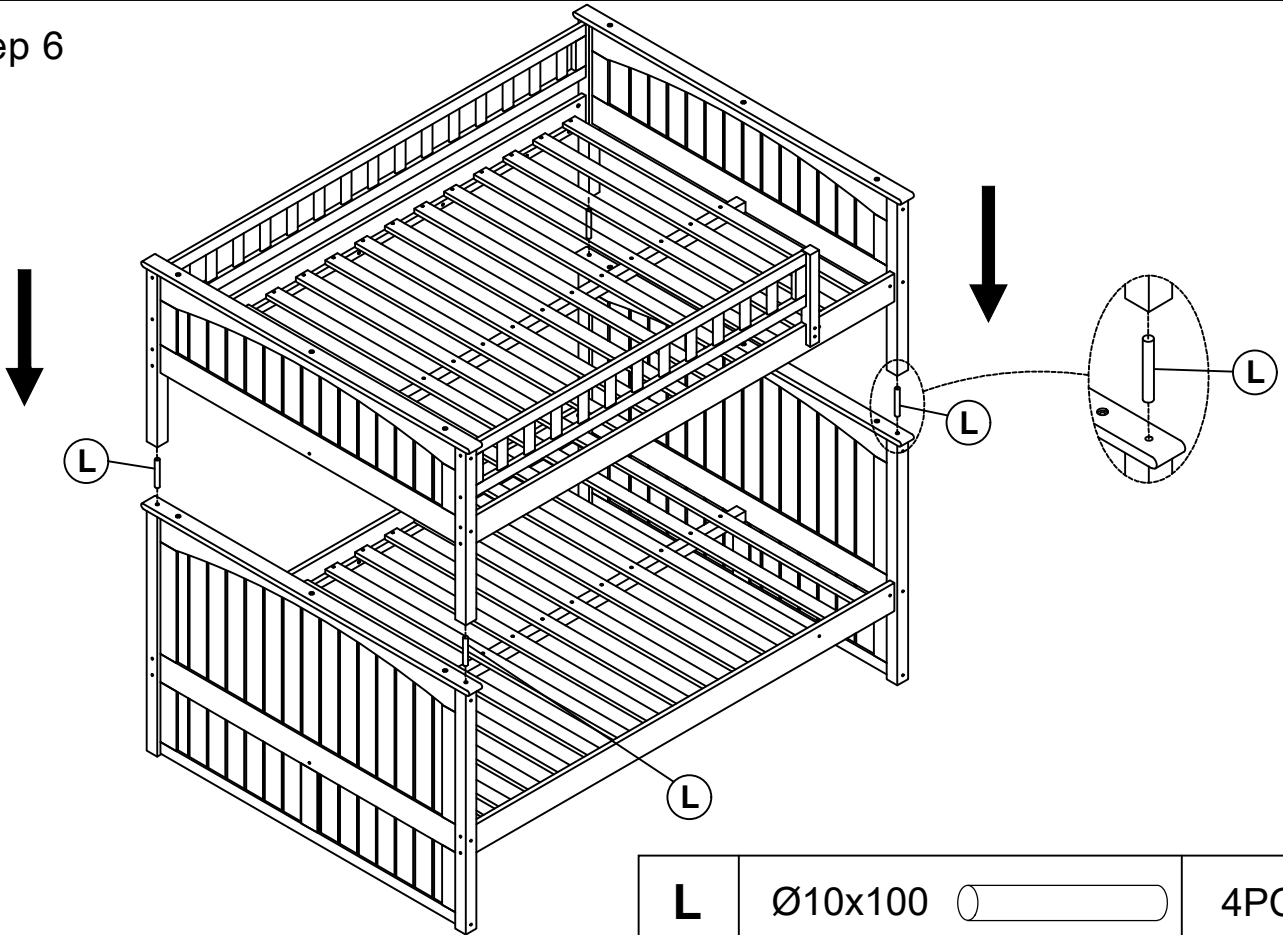
Ø4x30

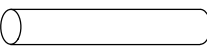


84PCS

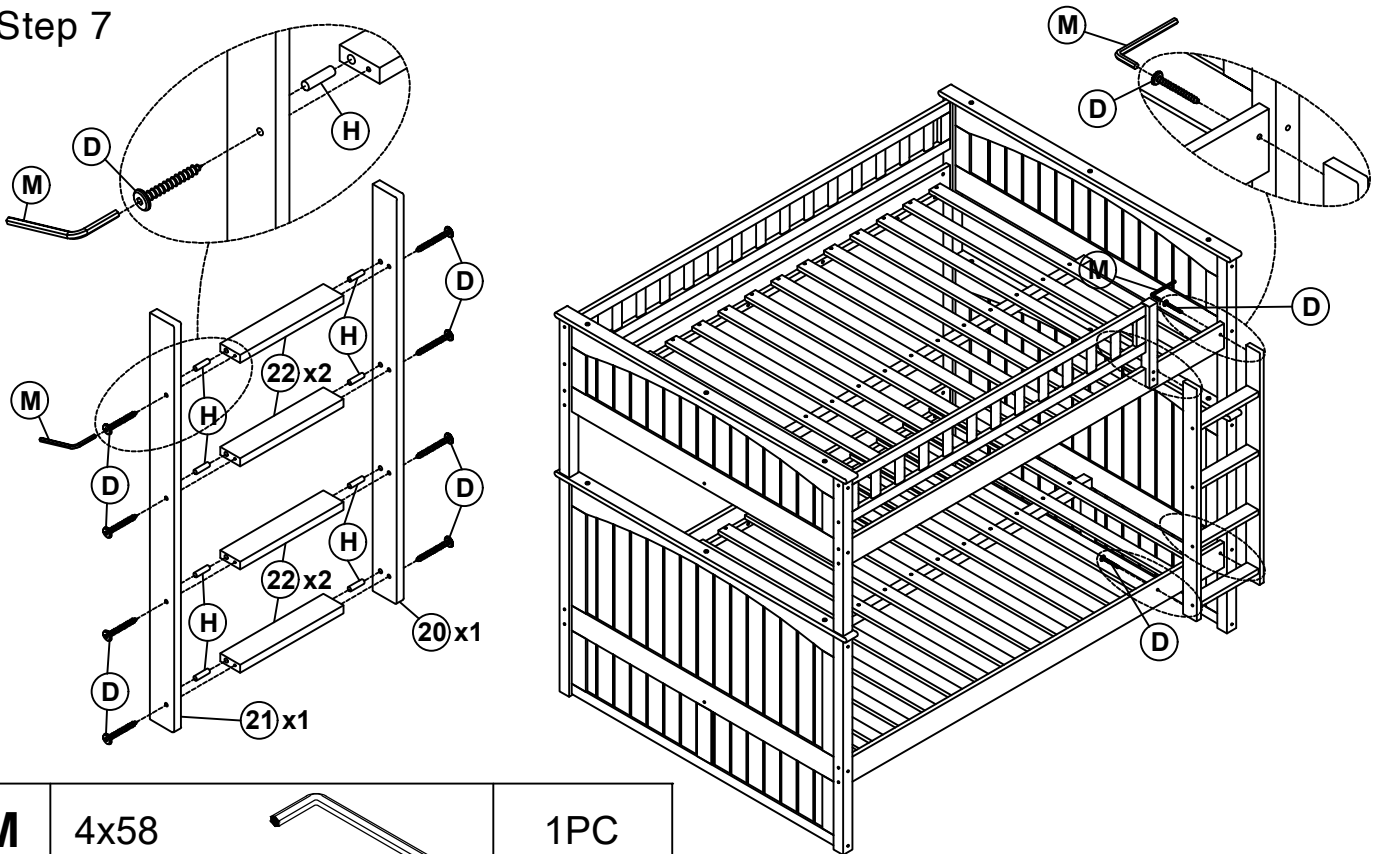
# ASSEMBLY INSTRUCTIONS


Step 6





<b>L</b>	Ø10x100		4PCS
----------	---------	---	------

Step 7



<b>M</b>	4x58		1PC
----------	------	---	-----

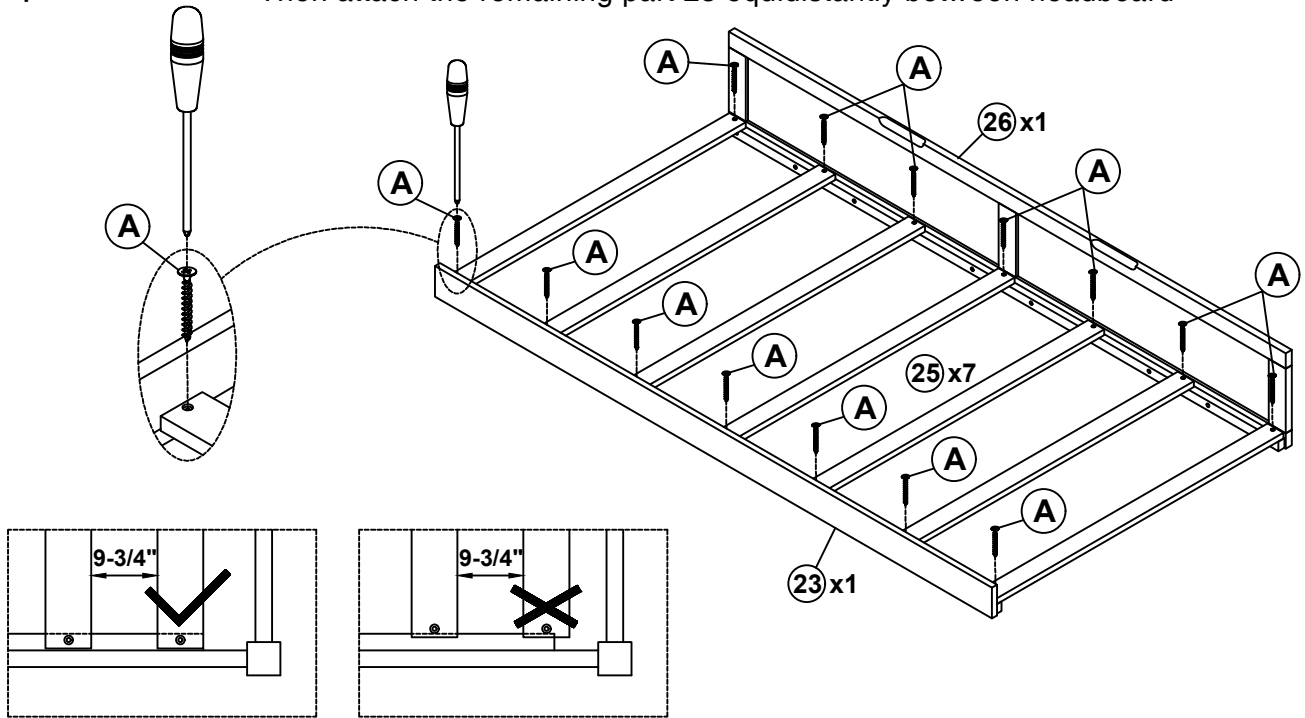
<b>H</b>	Ø10x40		8PCS
----------	--------	---	------

<b>D</b>	6.5x60		12PCS
----------	--------	---	-------

# ASSEMBLY INSTRUCTIONS

## Step 8

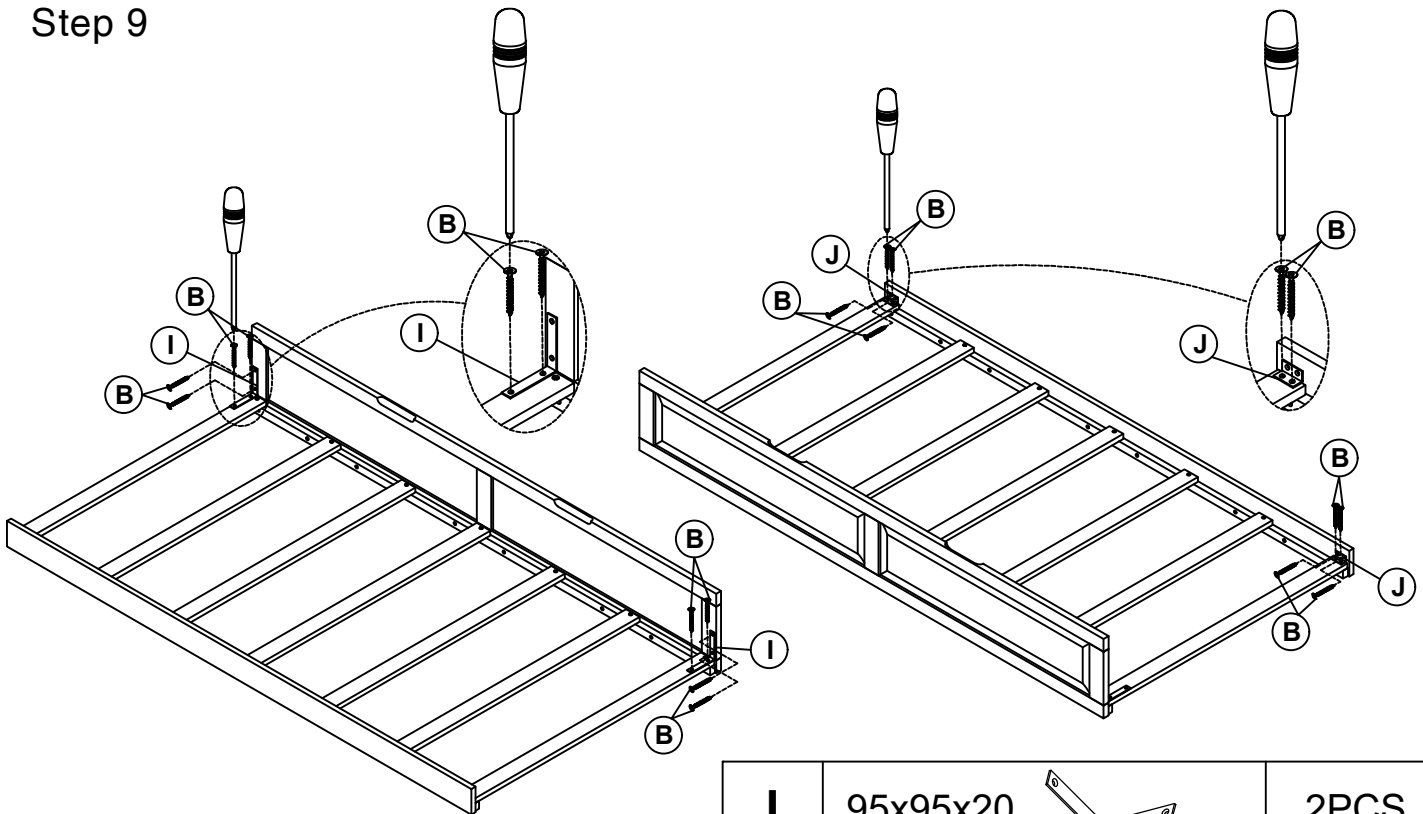
First attach 2pcs part 25 to the front and end of the frame between headboard. Then attach the remaining part 25 equidistantly between headboard



Note : Do not lock the screws of the bed slats to the outermost edge of the bed slats, you need to leave a certain space at the edges, otherwise it will cause the board to break


**A** Ø4x30  14PCS

## Step 9



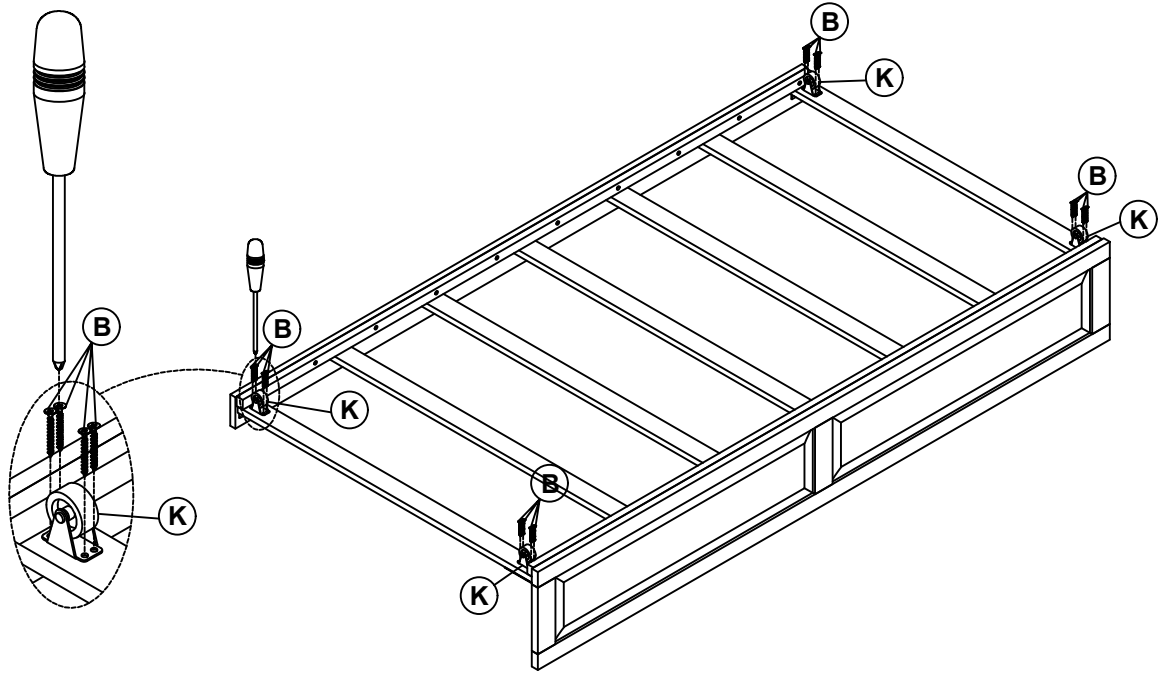
**I** 95x95x20  2PCS



**B** Ø4x15  16PCS

**J** 40x20x20  2PCS

# ASSEMBLY INSTRUCTIONS

Step 10



<b>B</b>	Ø4x15		16PCS	<b>K</b>	Ø38x46x38		4PCS
----------	-------	---	-------	----------	-----------	---	------

Step 11

