

# BOOKCASE 72"

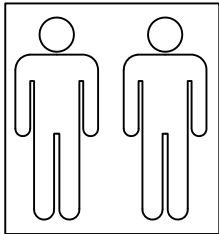
To ensure that you have a speedy and pleasant time assembling your unit  
PLEASE READ THE INSTRUCTIONS CAREFULLY BEFORE BEGINNING ASSEMBLY.  
If you need assistance, DO NOT CALL THE STORE, call us. Our Customer Service Group is here to help you.

Please be sure to follow the construction order in the Assembly Manual and complete each step before you proceed to the next step.

## TOOLS REQUIRED:

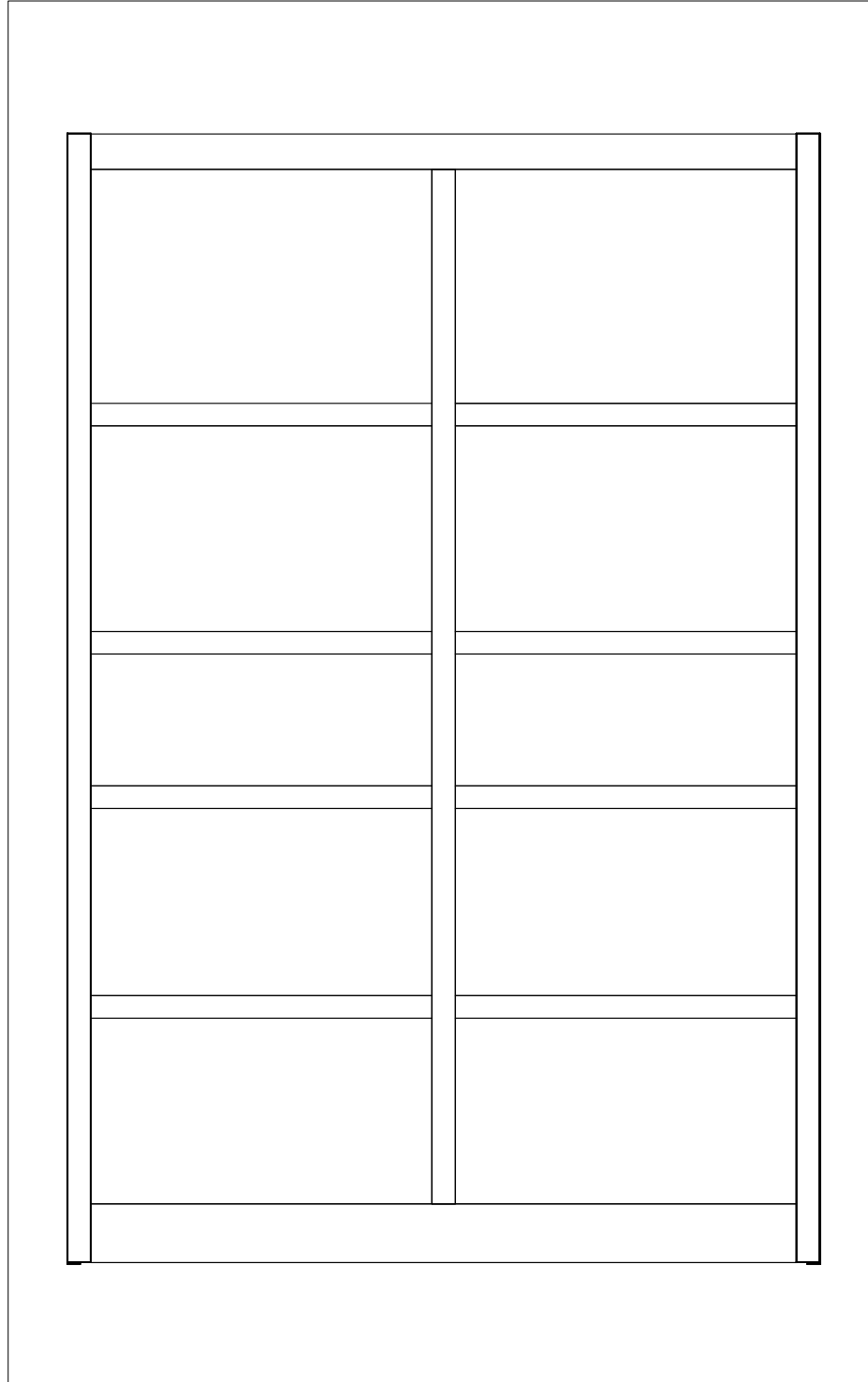
Phillips Screwdriver (Not Included)

Rubber Mallet (Not Included)



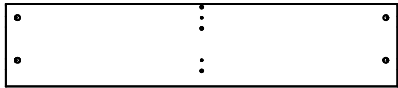
## CAUTION:

Must have 2 people

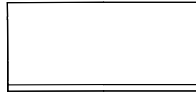


If you need assistance DO NOT CALL THE STORE. call us. Our Customer Service Group is here to help you.

# PARTS



**a) Top (1 pc.)**



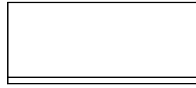
**c) Fixed Shelf (2 pcs.)**



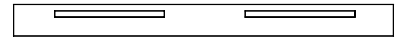
**e) Top Apron (1 pc.)**



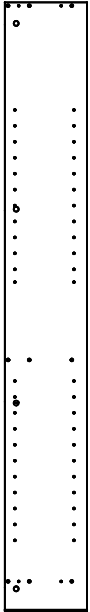
**b) Bottom (1 pc.)**



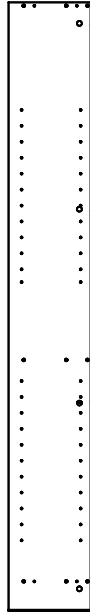
**d) Adjustable Shelves (6 pcs.)**



**f) Bottom Apron (1 pc.)**



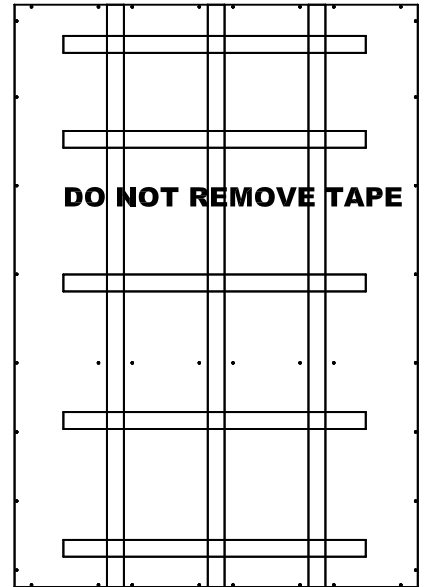
**g) Left Side (1 pc.)**



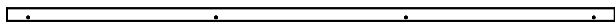
**h) Right Side (1 pc.)**



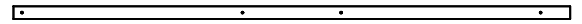
**i) Divider (1 pc.)**



**j) Back Panel (1 pc.)**



**k) Side Molding (2 pcs.)**



**SMALLER MOLDING**

**l) Divider Molding (1 pc.)**

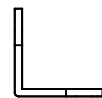
# HARDWARE



**m) Wood Dowel 1 3/16" (24 pcs.)**



**q) Back Panel Washer (5 pcs.)**



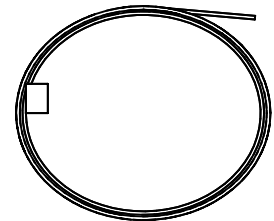
**u) Corner Brace (2 pcs.)**



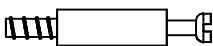
**n) Cam lock (24 pcs.)**



**r) Back Panel Screw 5/8" (44 pcs.)**



**w) Nylon Restraint Strap (1 pc.)**



**o) Metal Fastener (24 pcs.)**



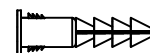
**s) Flat Head Screw 1 1/4" (9 pcs.)**



**p) Shelf Support (24 pcs.)**

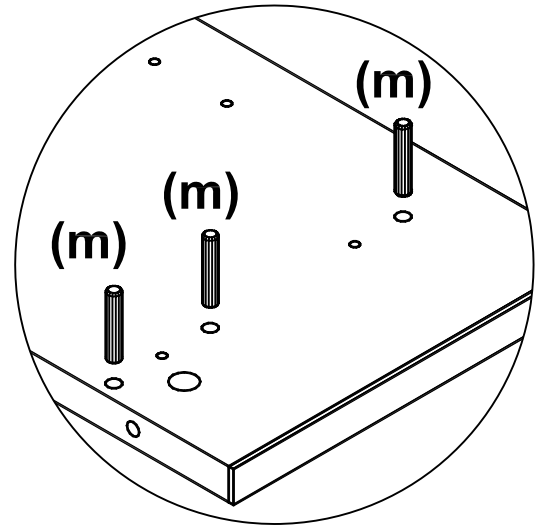
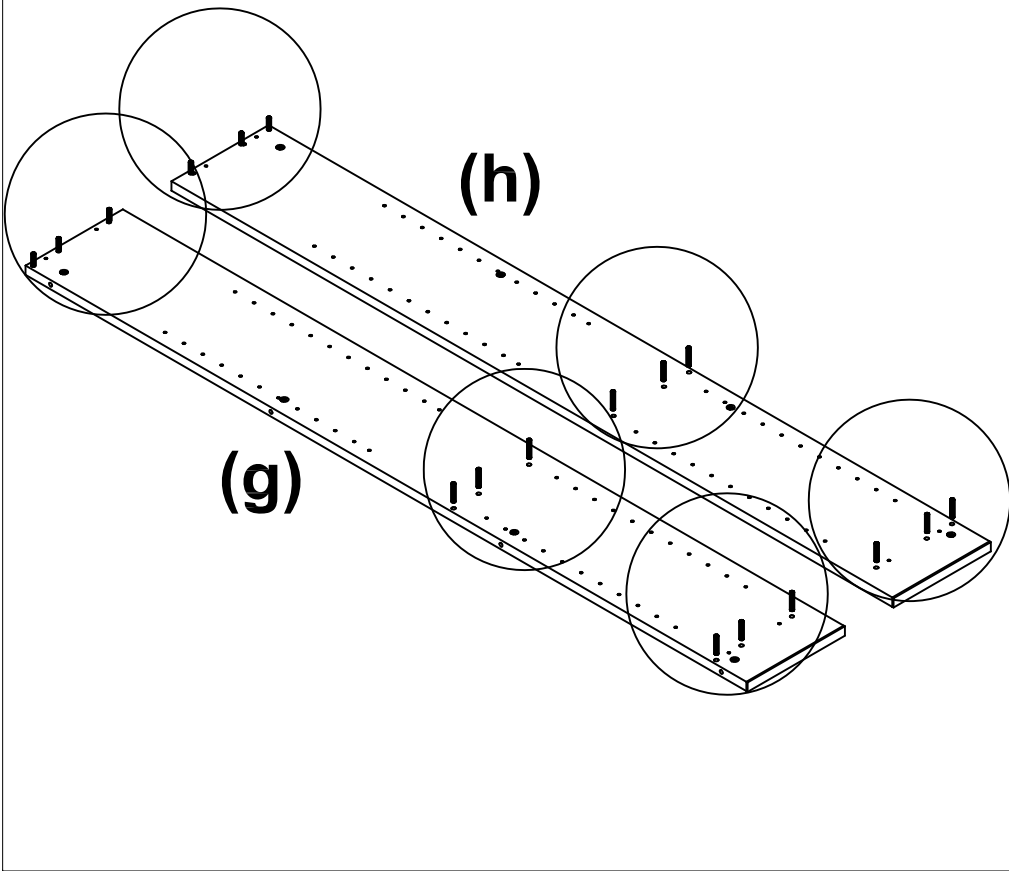


**t) Wood Dowel 2" (3 pcs.)**



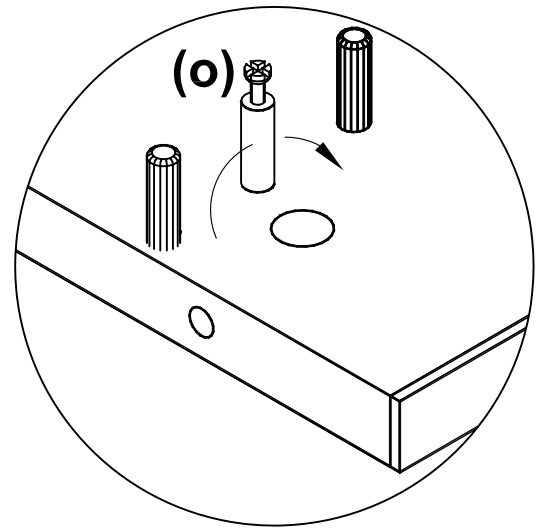
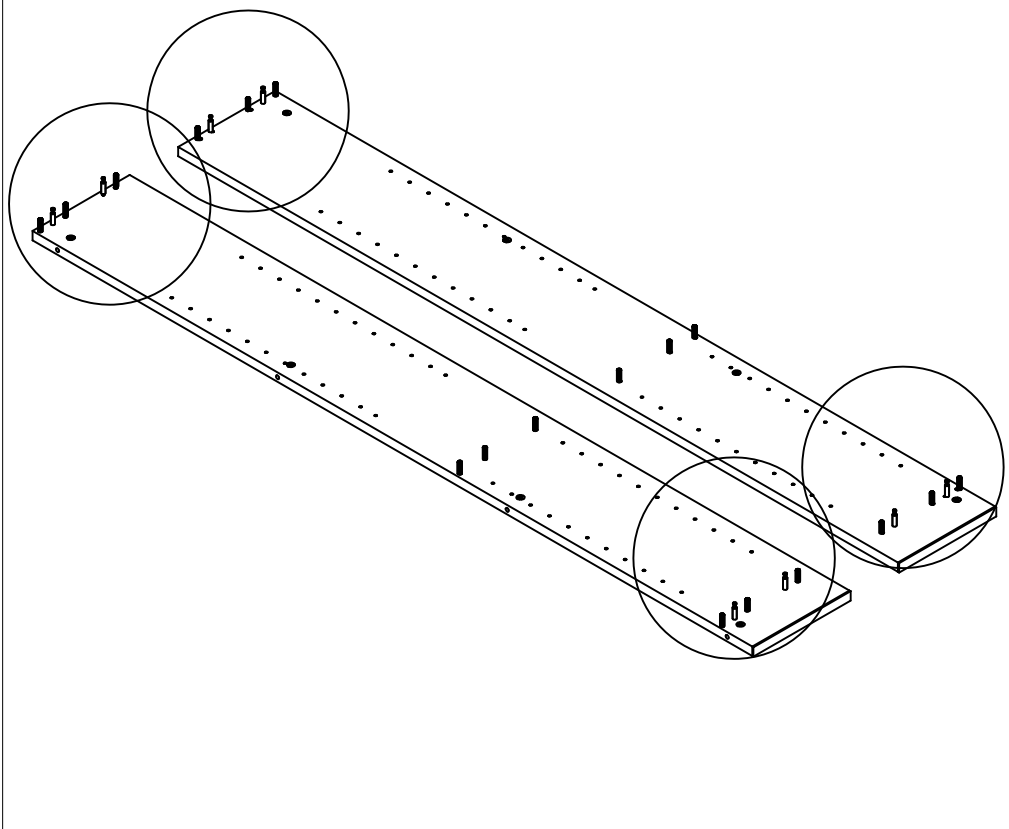
**x) Plastic Anchor (1 pc.)**

**Step 1**



Insert 9-**Wood Dowels (m)** into each Side Panel.  
See diagram above.

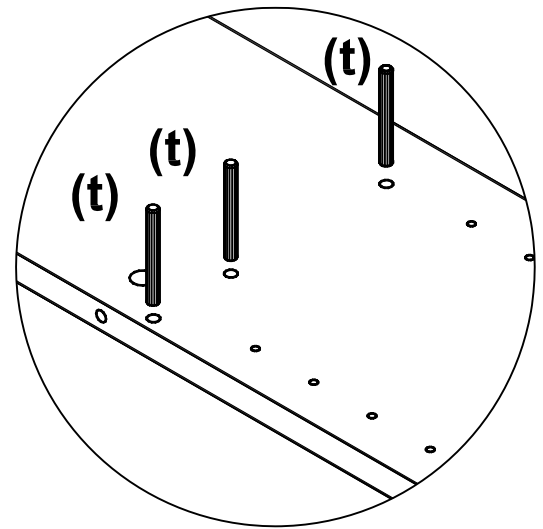
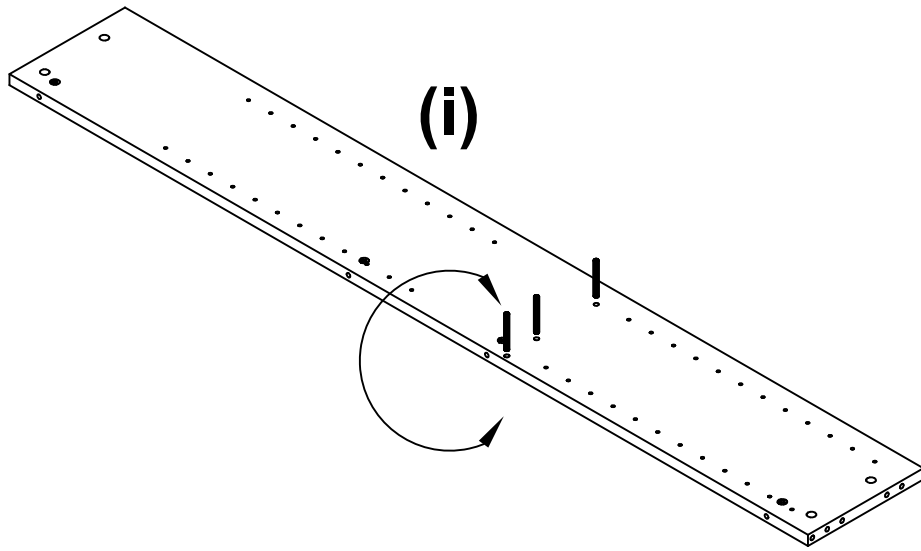
**Step 2**



Insert 4-**Metal Fasteners (o)** into each Side Panel.  
See Diagram above.

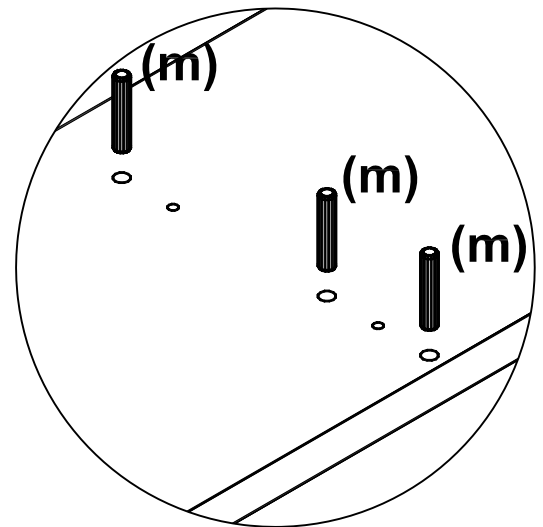
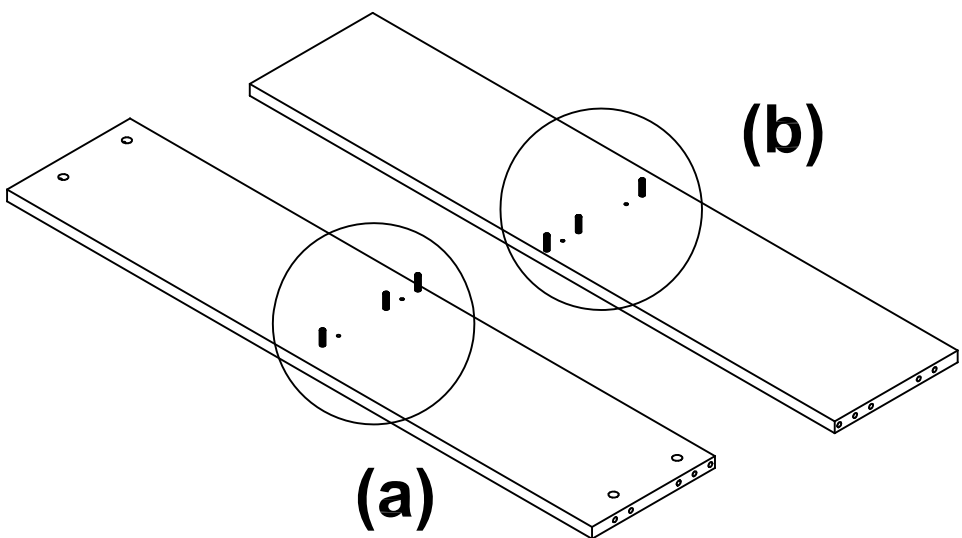
DO NOT OVER TIGHTEN

**Step 3**



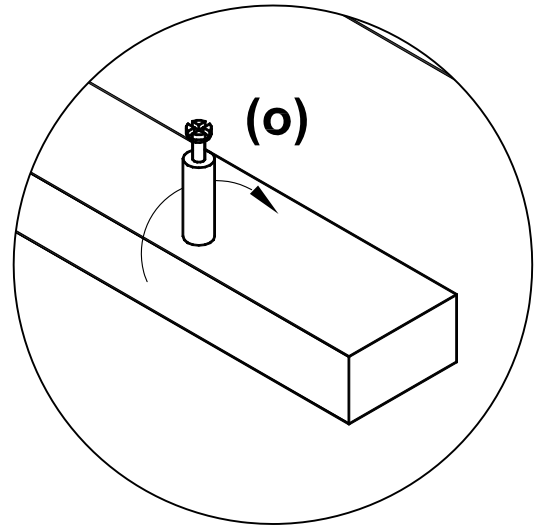
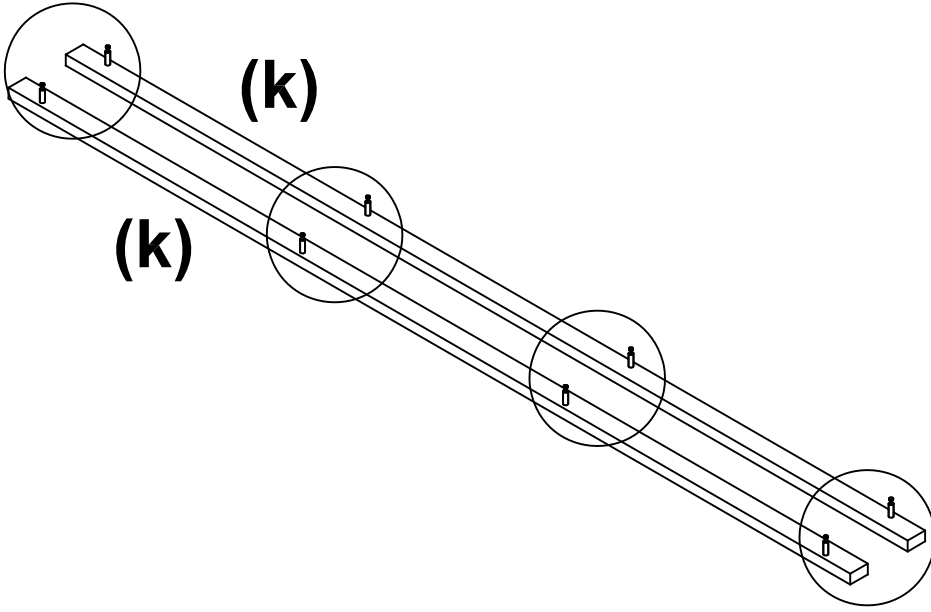
Insert 3-Wood Dowels 2" (t) into the Divider holes, must be equal distance on both sides. See diagram above.

**Step 4**



Insert 3-Wood Dowels (m) into Bottom and Top panel. See diagram above.

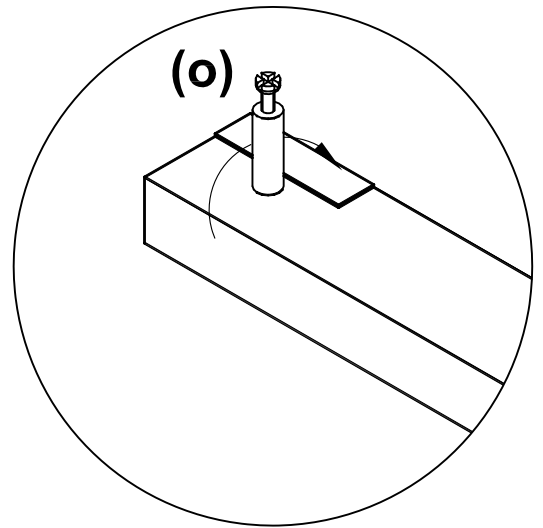
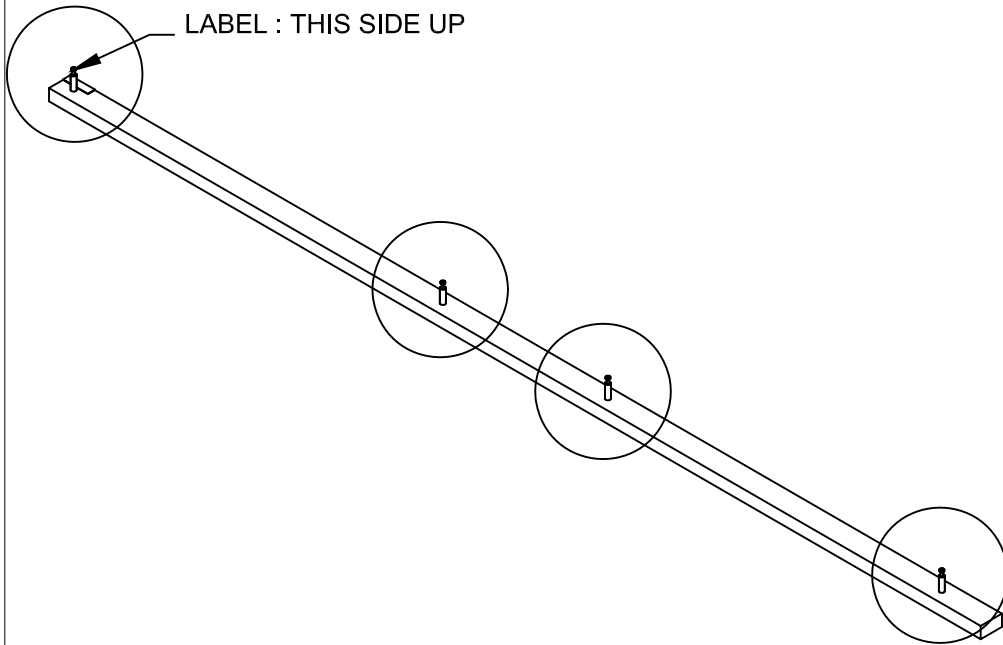
**Step 5**



Insert 4-Metal Fasteners (o) into each Side Molding. See diagram above.

DO NOT OVER TIGHTEN

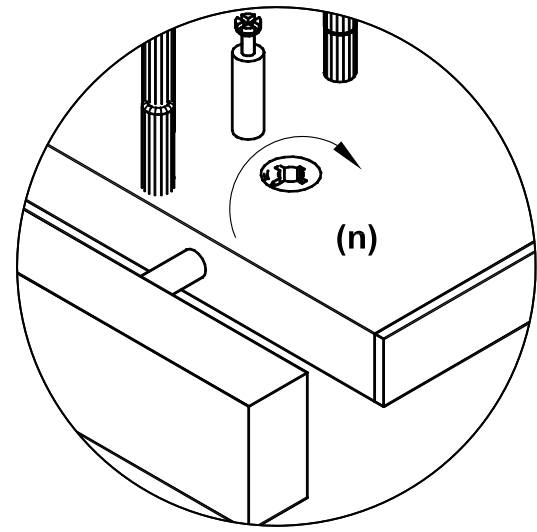
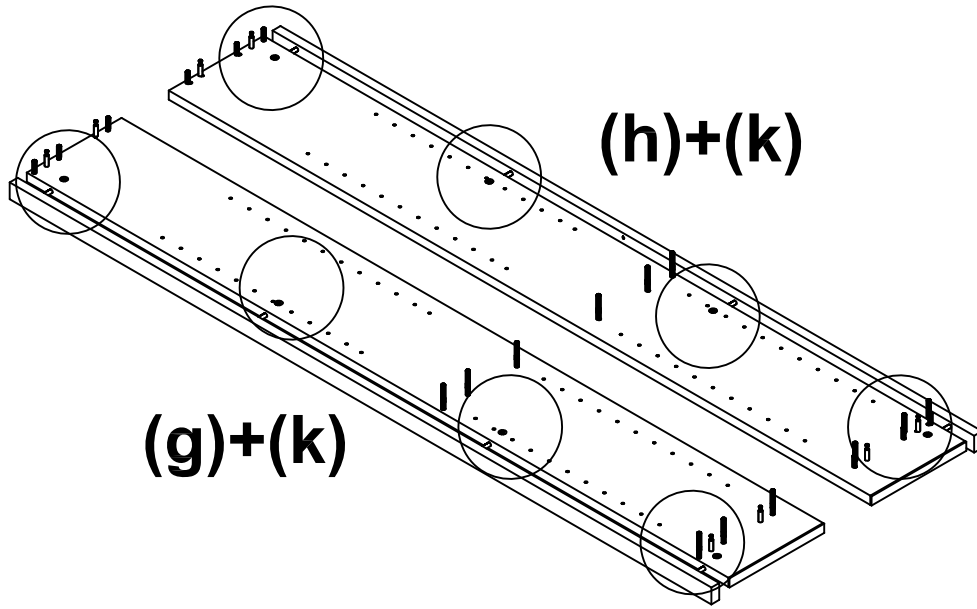
**Step 6**



Insert 4-Metal Fasteners (o) into divider Molding. See Diagram above.

DO NOT OVER TIGHTEN

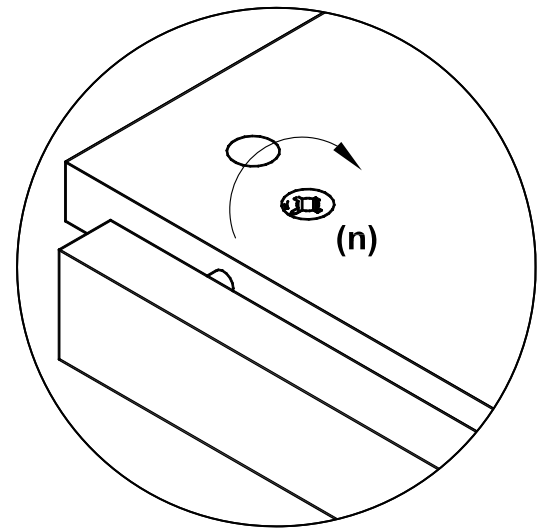
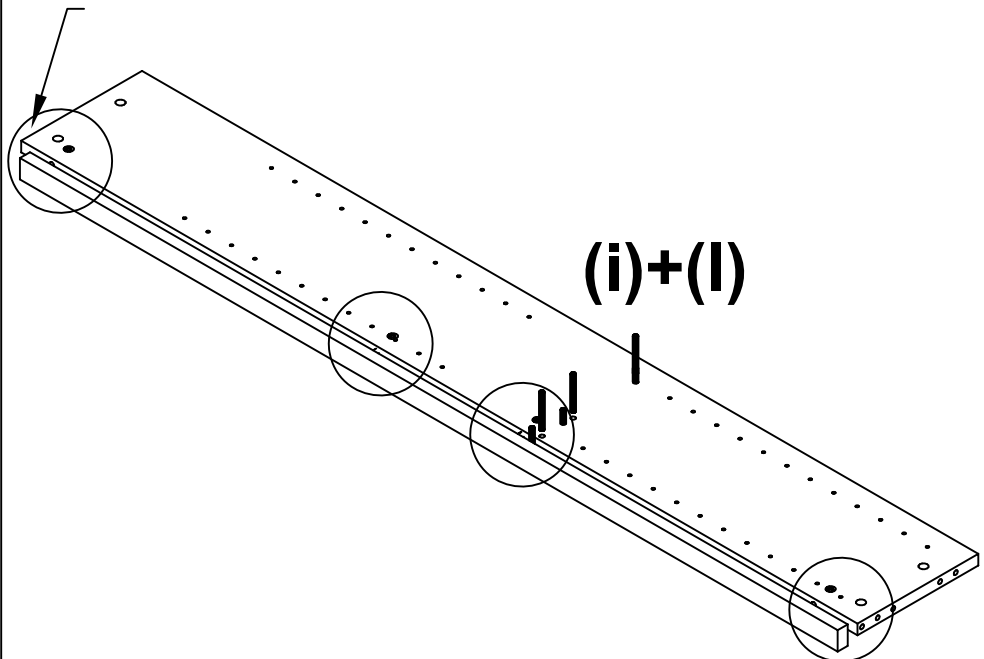
### Step 7



Insert **8-Cam Locks (n)** into the large predrilled holes(4 per each Side), point the arrow on the Cam in the direction of the side edge. Push the Cam into the hole. Then use a screwdriver, to turn each Cam approximately 1/2 turn in the direction of the arrow (clock-wise) to lock it in place. See Diagram above.

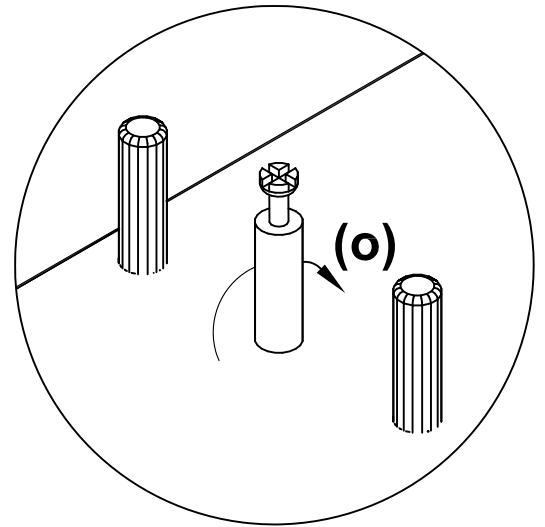
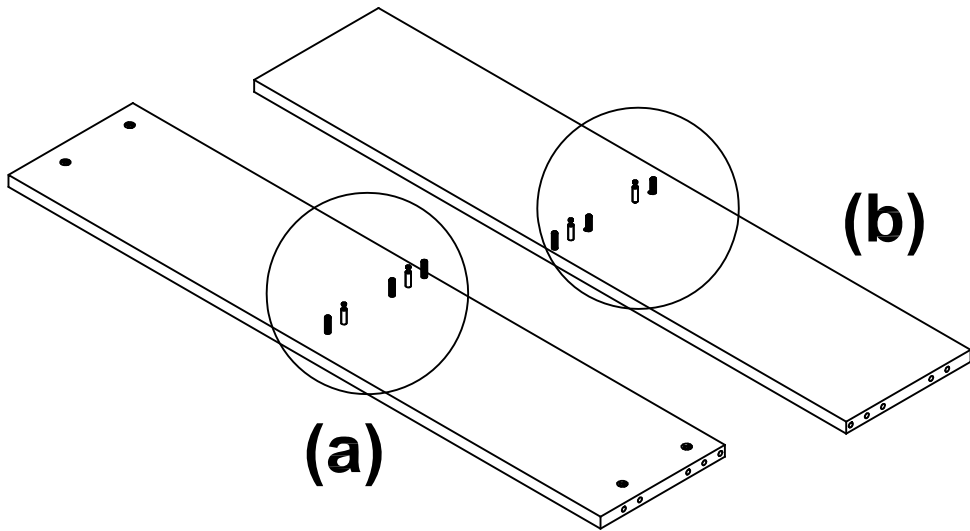
### Step 8

LABEL : THIS SIDE UP



Insert **4-Cam Locks (n)** into the large predrilled holes, point the arrow on the Cam in the direction of the side edge. Push the Cam into the hole. Then use a screwdriver, to turn each Cam approximately 1/2 turn in the direction of the arrow (clock-wise) to lock it in place. See Diagram above.

**Step 9**

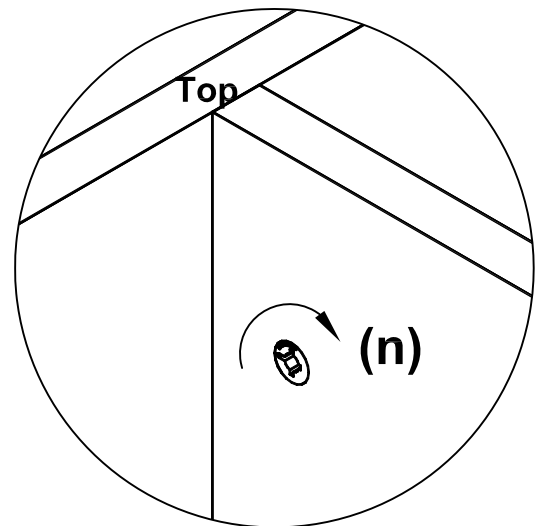
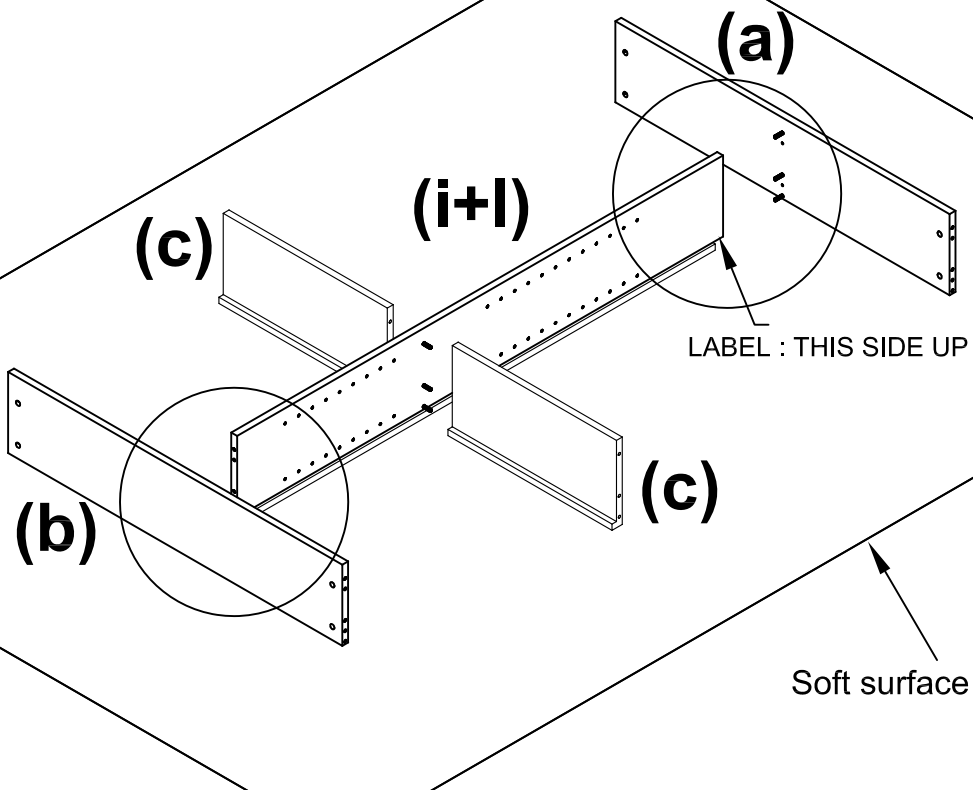


Insert 2-Metal Fasteners (o) into each Side Panel.  
See Diagram above.

DO NOT OVER TIGHTEN

**Step 10**

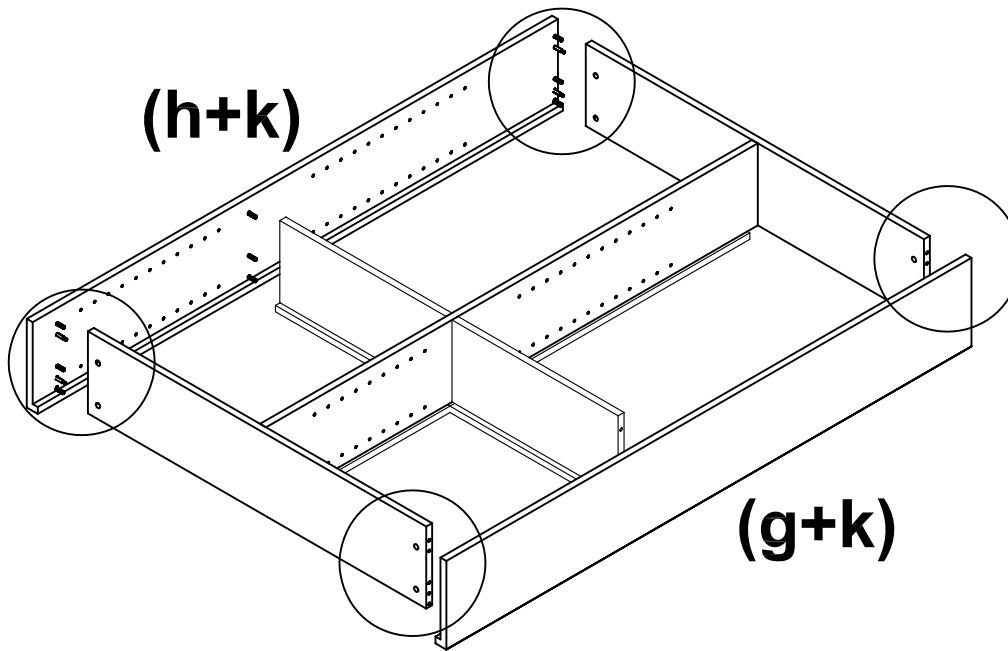
Attach Top (a), Bottom (b) and Fixed Shelf (c) with Divider Panel face down as showing.



Insert 4-Cam Locks (n) into the large predrilled holes on divider, point the arrow on the Cam in the direction of the side edge. Push the Cam into the hole.  
Then use a screwdriver, to turn each Cam approximately 1/2 turn in the direction of the arrow (clock-wise) to lock it in place (Applies only on Divider).  
See Diagram above.

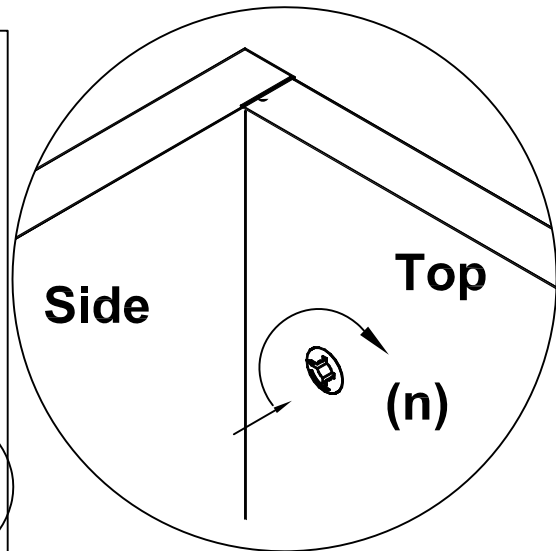
**Step 11**

Attach **Left Side (g)+(k)** and **Right Side (h)+(k)** to the previous subassembly as shown.



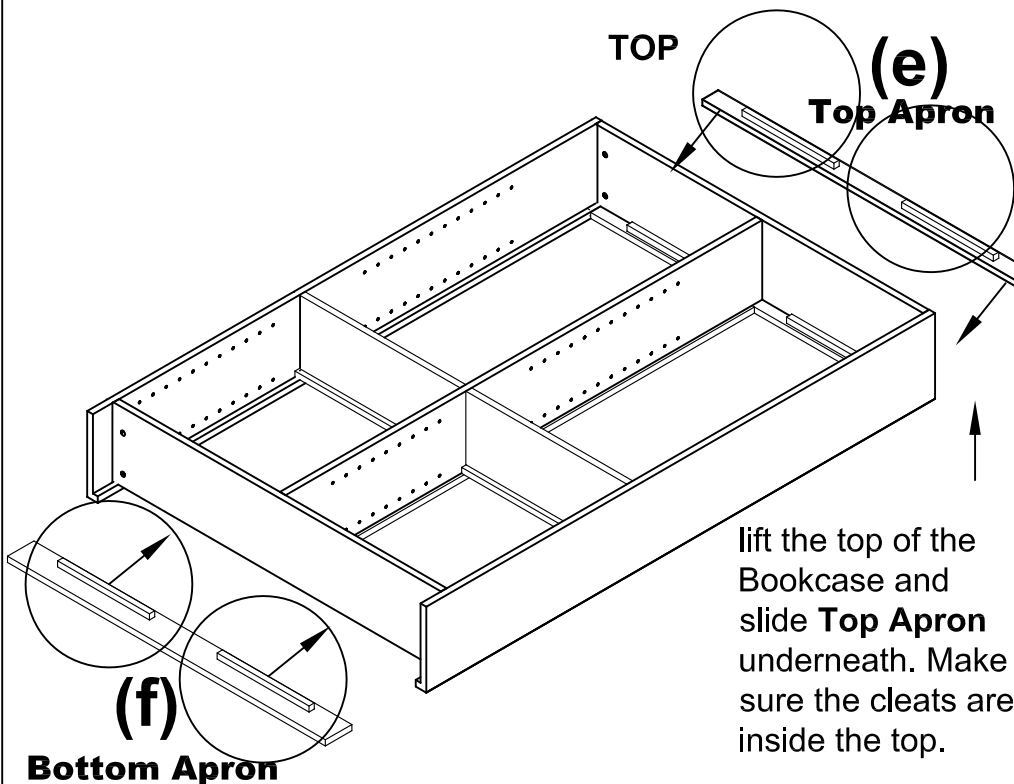
**Important**

Be sure all wood dowels and metal fasteners are located in the opposite holes **BEFORE** insert the cam locks.

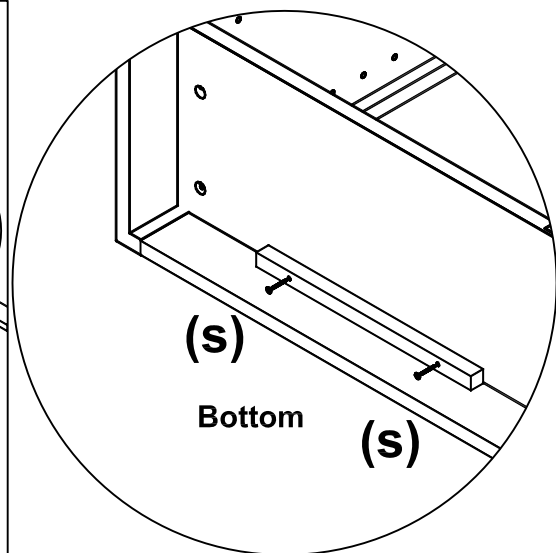


Insert **4-Cam Locks (n)** into the large predrilled holes, point the arrow on the Cam in the direction of the side edge. Push the Cam into the hole. Then use a screwdriver, to turn each Cam approximately 1/2 turn in the direction of the arrow (clock-wise) to lock it in place (Applies only on Top and Bottom). See Diagram above.

**Step 12**



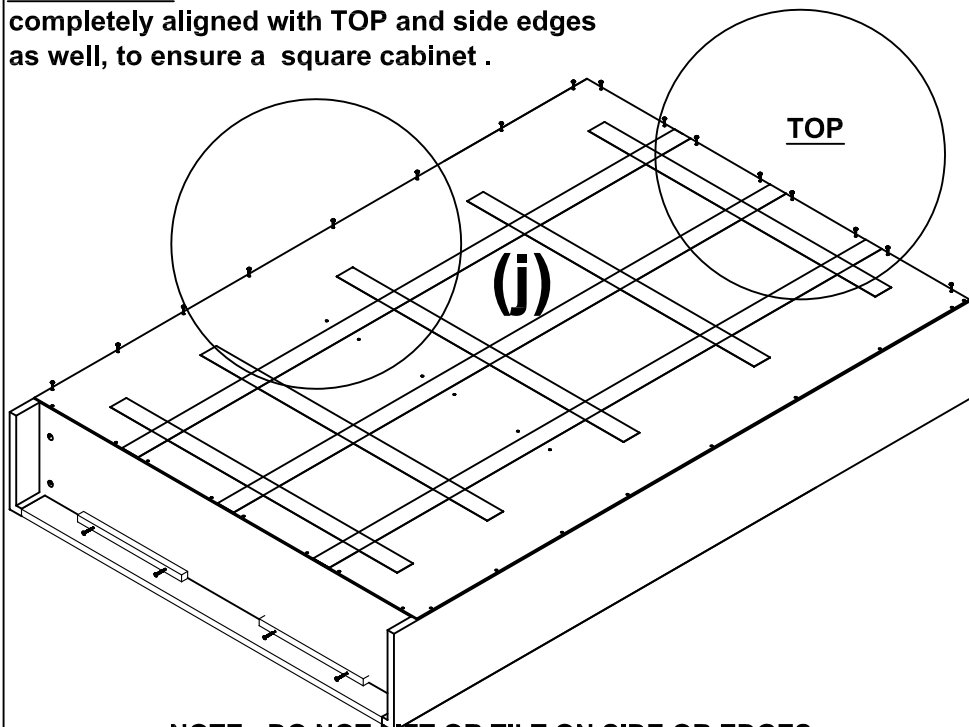
lift the top of the Bookcase and slide **Top Apron (e)** underneath. Make sure the cleats are inside the top.



Install **Top Apron (e)** to the Top and **Bottom Apron (f)** to the Bottom with **Flat screws (s)**, press down firmly and carefully to close all gaps. See Diagram above.

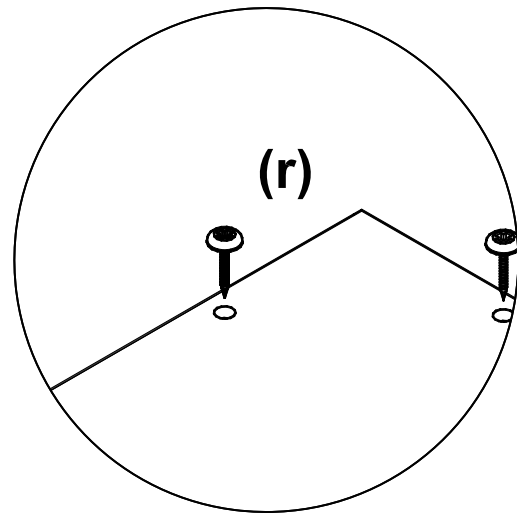
### Step 13

**IMPORTANT:** Back Panel must be completely aligned with TOP and side edges as well, to ensure a square cabinet .



**NOTE: DO NOT LIFT OR TILT ON SIDE OR EDGES.  
DO NOT LIFT UP THE STORAGE CABINET UNTIL BACK PANEL IS INSTALLED.**

**DO NOT REMOVE TAPE**



Lay the **BACK PANEL (j)** on the back edges of the Bookcase as shown. **Make sure the BACK PANELS unfinished side faces up.**

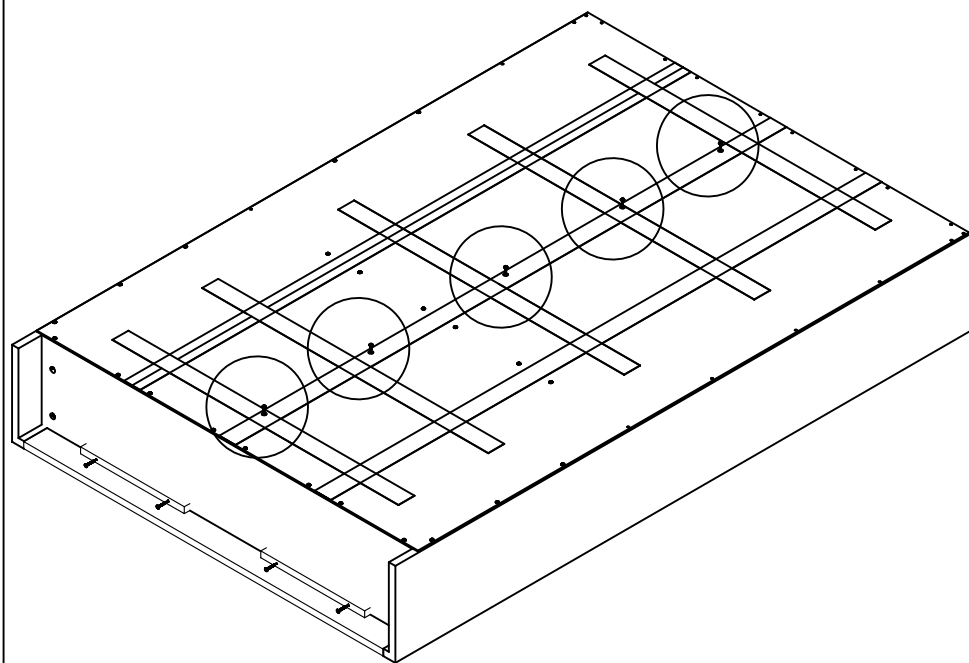
Position the **BACK PANEL (j)** flush with the top edge, make sure the **BACK PANEL (j)** does not overlap at the top corners.

Insert and screw 8 **Screws (r)** along the top edge of the **BACK PANELS**, then screw 8 **Screws (r)** one side edge to square the cabinet. When the cabinet is square, insert an screw into the rest of the empty pre-drilled holes.

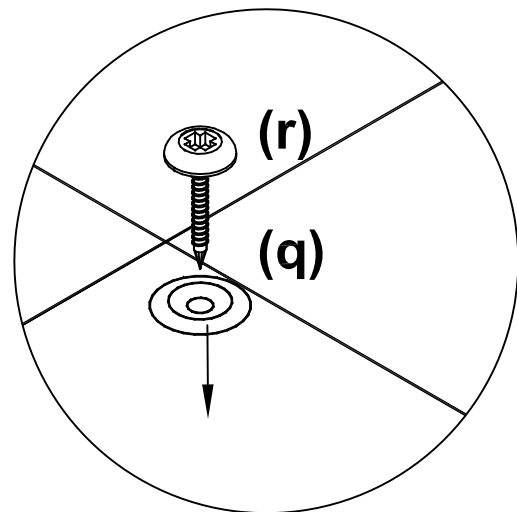
See Diagram above.

### Step 14

**DO NOT REMOVE TAPE**



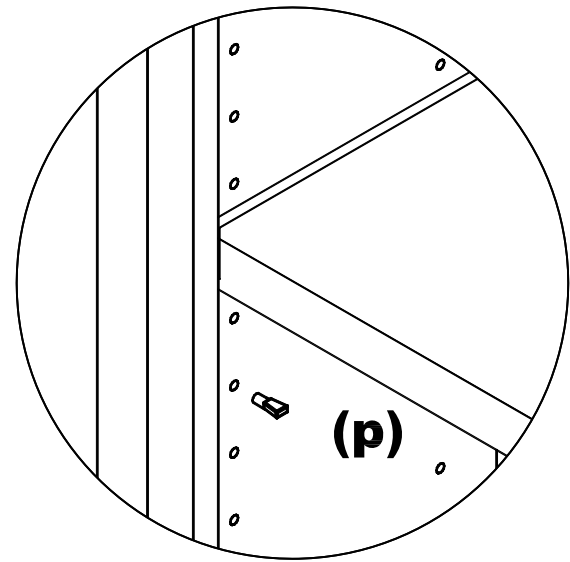
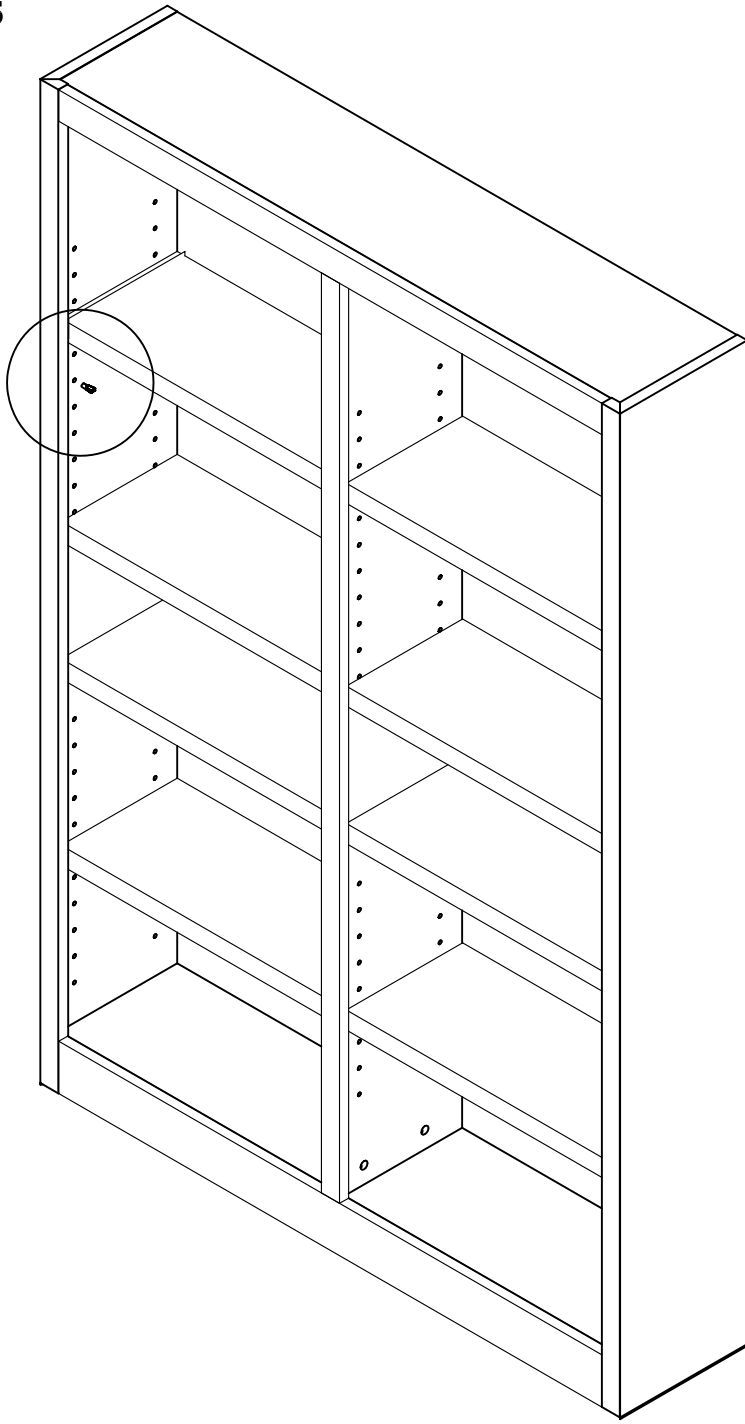
**NOTE: DO NOT LIFT OR TILT ON SIDE OR EDGES.  
DO NOT LIFT UP THE STORAGE CABINET UNTIL BACK PANEL IS INSTALLED.**



Finally screw 5 **Screws (r)** with washer **(q)** along the tape, as shown in step 14.

See the diagram above.

## Step 15



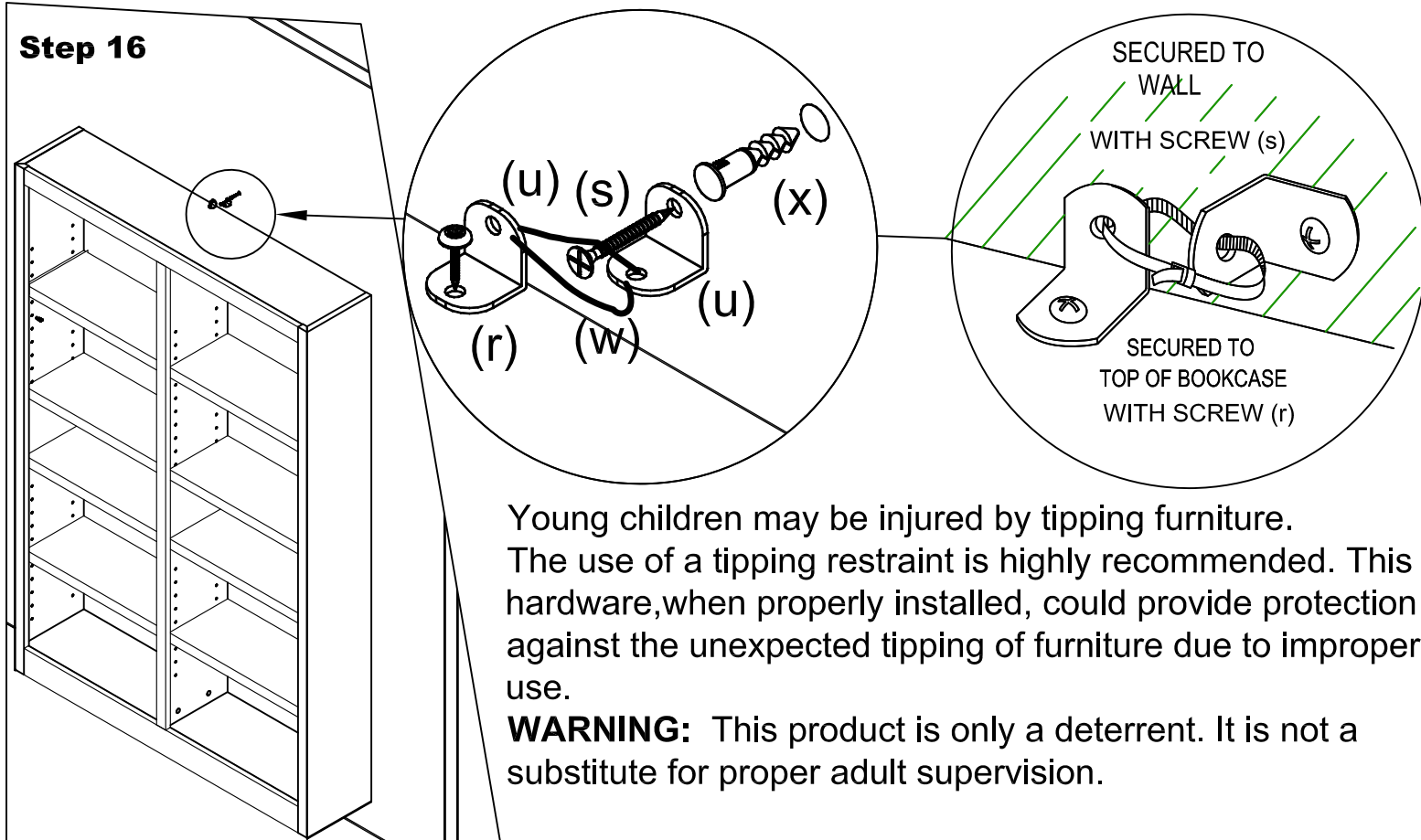
Insert **Shelves Support (n)** into Side holes in the position you decided then place the **Adjustable Shelves (d)**.  
See Diagram above.

**IF NECESSARY ADJUST ONE SHELF SUPPORT BY ROTATING 180°**

**NOTE: For safety, it is recommended to place items on the bookcase shelves starting with the bottom shelf first working your way up the bookcase, shelf by shelf to top shelf. As an added safety feature, we recommend to affix the bookcase to the wall.**

*We sincerely hope you have enjoyed assembling your unit and that you will make good use of it.*

## Step 16



Young children may be injured by tipping furniture. The use of a tipping restraint is highly recommended. This hardware, when properly installed, could provide protection against the unexpected tipping of furniture due to improper use.

**WARNING:** This product is only a deterrent. It is not a substitute for proper adult supervision.

### Installation Instructions:

1. Attach one of the mounting brackets (u) securely to the top back edge of the furniture. Use one of the SHORTER screws (r) to securely attach the bracket (u) to bookcase.
2. Determine where furniture is to be placed and mark location on the wall for the mounting bracket screw hole approximately 2" below the bracket mounted to the edge of the furniture.
3. Drill a 3/16" hole in the wall. Press the plastic anchor (x) into the hole and gently tap until the flange on the anchor is against the wall surface.
4. Position the bracket (u) over the anchor and use one of the LONGER screws (s) to securely attach the bracket (u) to wall.
5. Place the furniture so that the bracket (u) on the back edge is in line with the bracket (u) on the wall.
6. Lace an end of the nylon restraint strap (w) down through each bracket (u). Bring both ends together and slide the end of the strap through the slot in the other end until snug. **(Caution: The rough serrated edge must be to the inside of the loop or it will not lock into place.)**
7. Check to make sure the strap is securely laced and locked to the brackets.

## KIT TO SECURE BOOKCASE TO THE WALL

If you need assistance DO NOT CALL THE STORE, call us. Our Customer Service Group is here to help you.