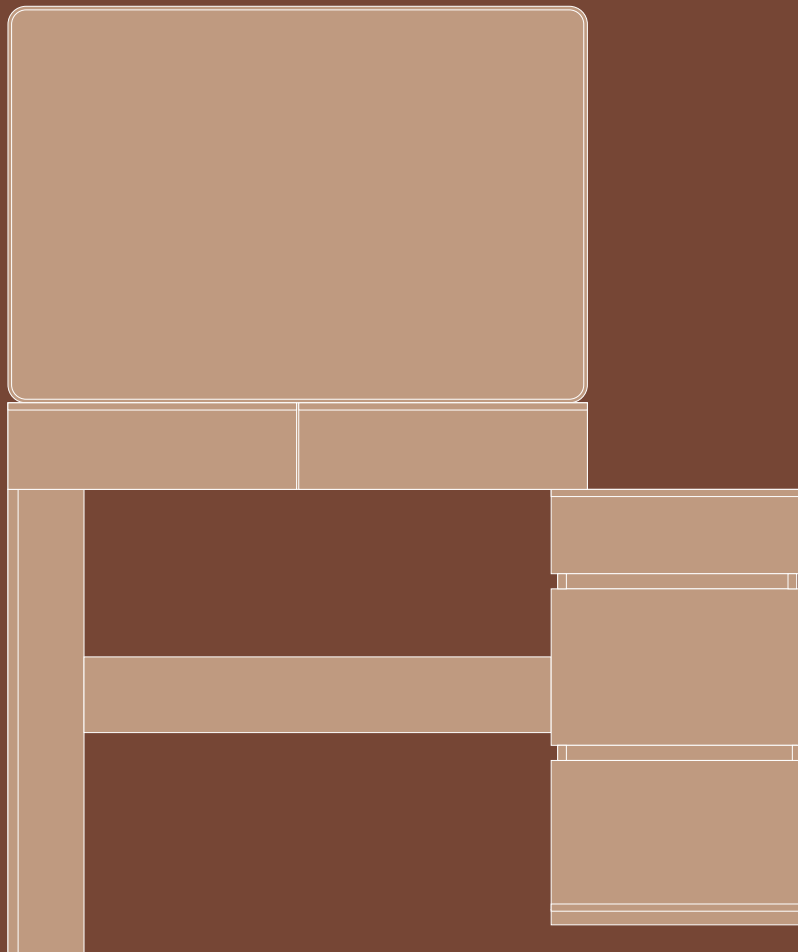




ModernMate

ASSEMBLY INSTRUCTION



Dressing Table

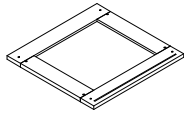
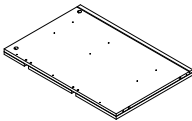
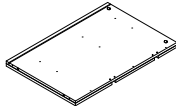
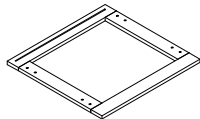
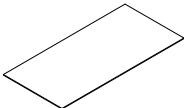
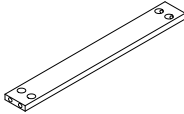
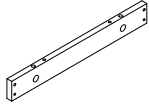
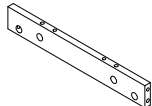
INTRODUCTION


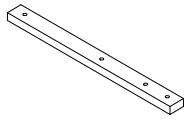
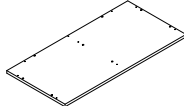
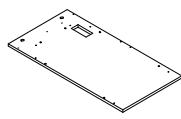
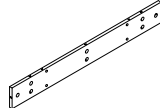
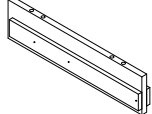
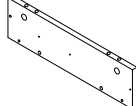
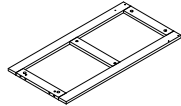
Thank you for purchasing our products. Please read the instructions carefully before installation and keep it in a safe place for future reference. If you need any assistance or support, please feel free to contact our customer support team.

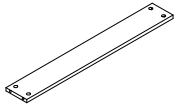
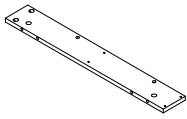
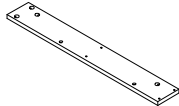
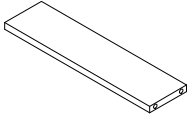
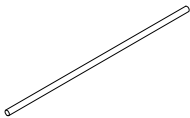
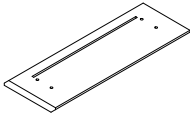
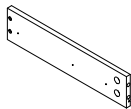
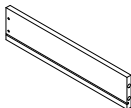
PRECAUTIONS

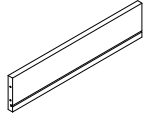
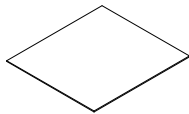
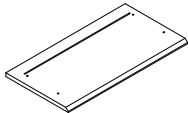
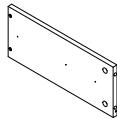
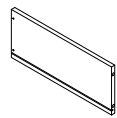
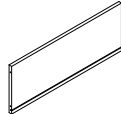
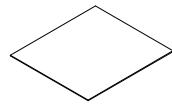
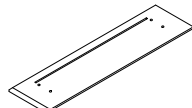
1. There are many components and accessories in the package. Each component and accessory is labeled with a letter or a number, check carefully before using any of them. Keep them away from children to prevent accidents.
2. Please install the product on a clean and soft underlay (such as carpet or cardboard) to avoid scratching or damaging the surface of the product.
3. The main components of the product is relatively heavy. Please pay attention to safety during installation.
4. The product is not stable during installation. Please do not move it randomly before it is completely installed.
5. If you have any questions during installation, please contact the customer service in time.

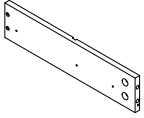
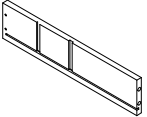
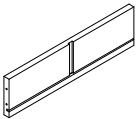
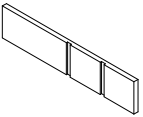
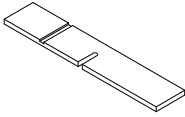
- * **Please be sure to follow the installation steps in the manual to avoid unnecessary losses caused by improper installation.**
- * **If you need further assistance, please contact the customer service online**

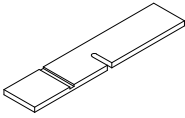
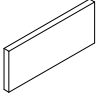
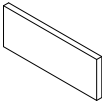
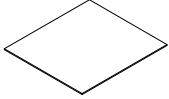
ID	Parts	QTY
1	TOP CABINET PANEL	1
		
2	LEFT CABINET SIDE PANEL	1
		
3	RIGHT CABINET SIDE PANEL	1
		
4	CABINET BOTTOM FRAME	1
		
5	BACK PANEL	1
		
6	FRONT RAIL	2
		
7	LEG BASE HORIZONTAL RAIL	2
		
8	LEG BASE VERTICAL RAIL	2
		

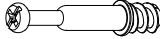

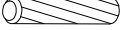
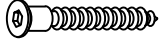

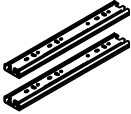

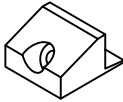
ID	Parts	QTY
9	MIRROR FRAME	1
		
10	MIRROR CONNECTING BAR	2
		
11	TOP TABLE PANEL	1
		
12	TABLE SIDE PANEL	1
		
13	BACK TABLE RAIL	1
		
14	MIDDLE PARTITION PANEL	1
		
15	RIGHT VERTICAL PANEL	1
		
16	TABLE BOTTOM FRAME	1
		

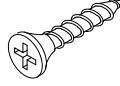
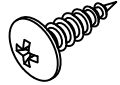
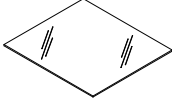

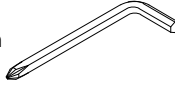
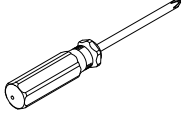
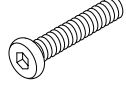
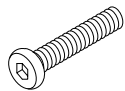
ID	Parts	QTY
17	FRONT TABLE RAIL	1
		
18	BACK TABLE STILE	1
		
19	FRONT TABLE STILE	1
		
20	HORIZONTAL RAIL	2
		
21	HANGING ROD	2
		
22	DRAWER FRONT PANEL	2
		
23	LEFT DRAWER SIDE PANEL	2
		
24	RIGHT DRAWER SIDE PANEL	2
		


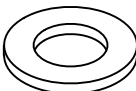
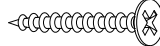
ID	Parts	QTY
25	DRAWER BACK PANEL	2
		
26	DRAWER BOTTOM PANEL	2
		
27	DRAWER FRONT PANEL	2
		
28	LEFT DRAWER SIDE PANEL	2
		
29	RIGHT DRAWER SIDE PANEL	2
		
30	DRAWER BACK PANEL	2
		
31	DRAWER BOTTOM PANEL	2
		
32	DRAWER FRONT PANEL	1
		

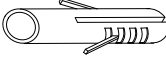
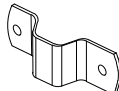

ID	Parts	QTY
33	LEFT DRAWER SIDE PANEL	1
		
34	RIGHT DRAWER SIDE PANEL	1
		
35	DRAWER BACK PANEL	1
		
36	DRAWER FRONT RAIL	1
		
37	DRAWER VERTICAL RAIL	1
		

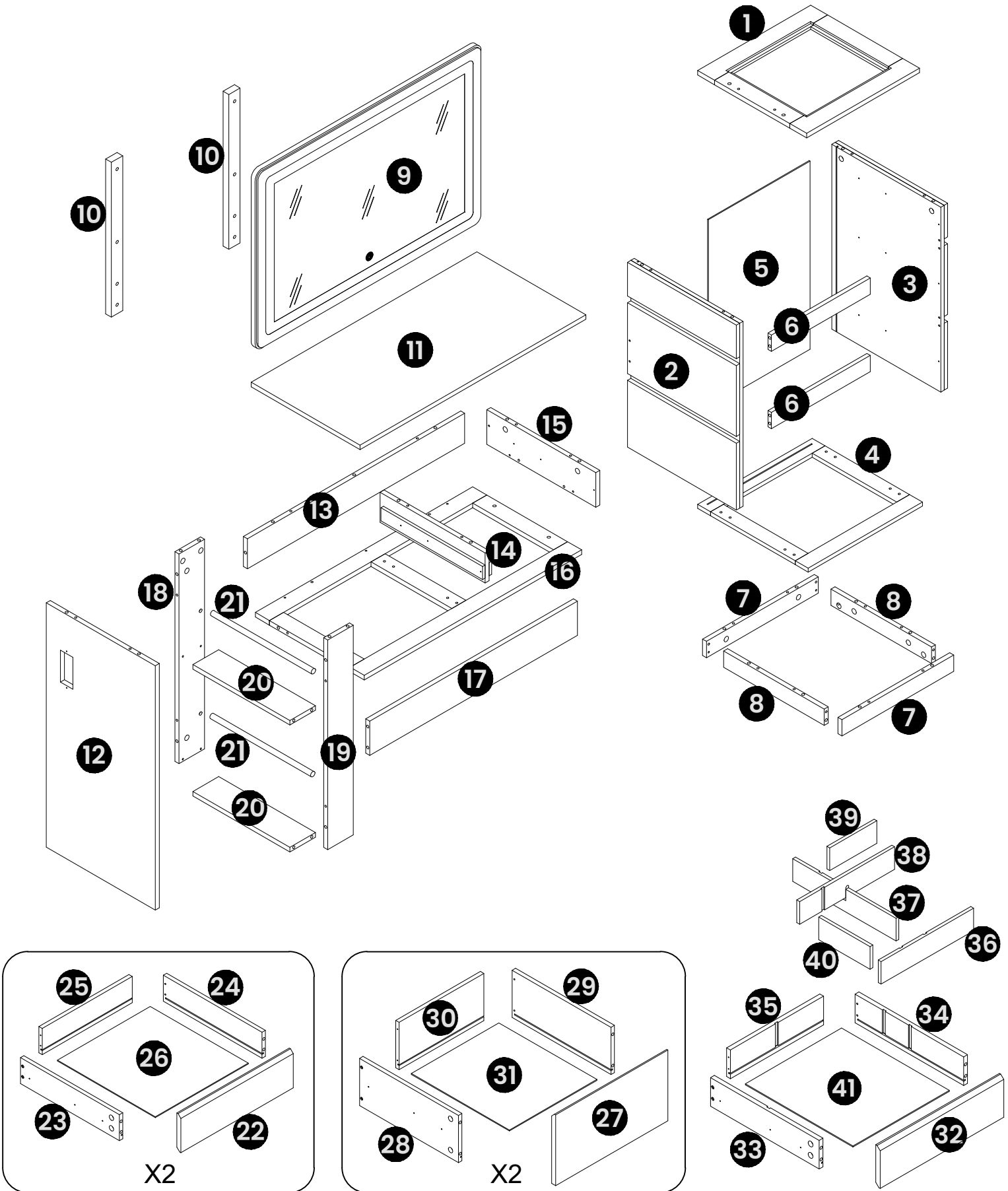
ID	Parts	QTY
38	DRAWER HORIZONTAL RAIL	1
		
39	DRAWER HORIZONTAL RAIL	1
		
40	DRAWER VERTICAL RAIL	1
		
41	DRAWER BOTTOM PANEL	1
		

ID	Parts	QTY
A	CAMBOLT	84+2
	M6x34mm 	
B	CAMLOCK	84+2
	Ø15X9.5mm 	
C	WOOD DOWEL	36+2
	Ø6X30mm 	
D	HEX SCREW	6
	Ø5X45mm 	
E	POWER OUTLET	1
		
F	SLIDE RAIL	5
	35X350mm 	
G	FLAT HEAD SCREW	62+2
	Ø3X12mm 	
H	CORNER BLOCK	4
		

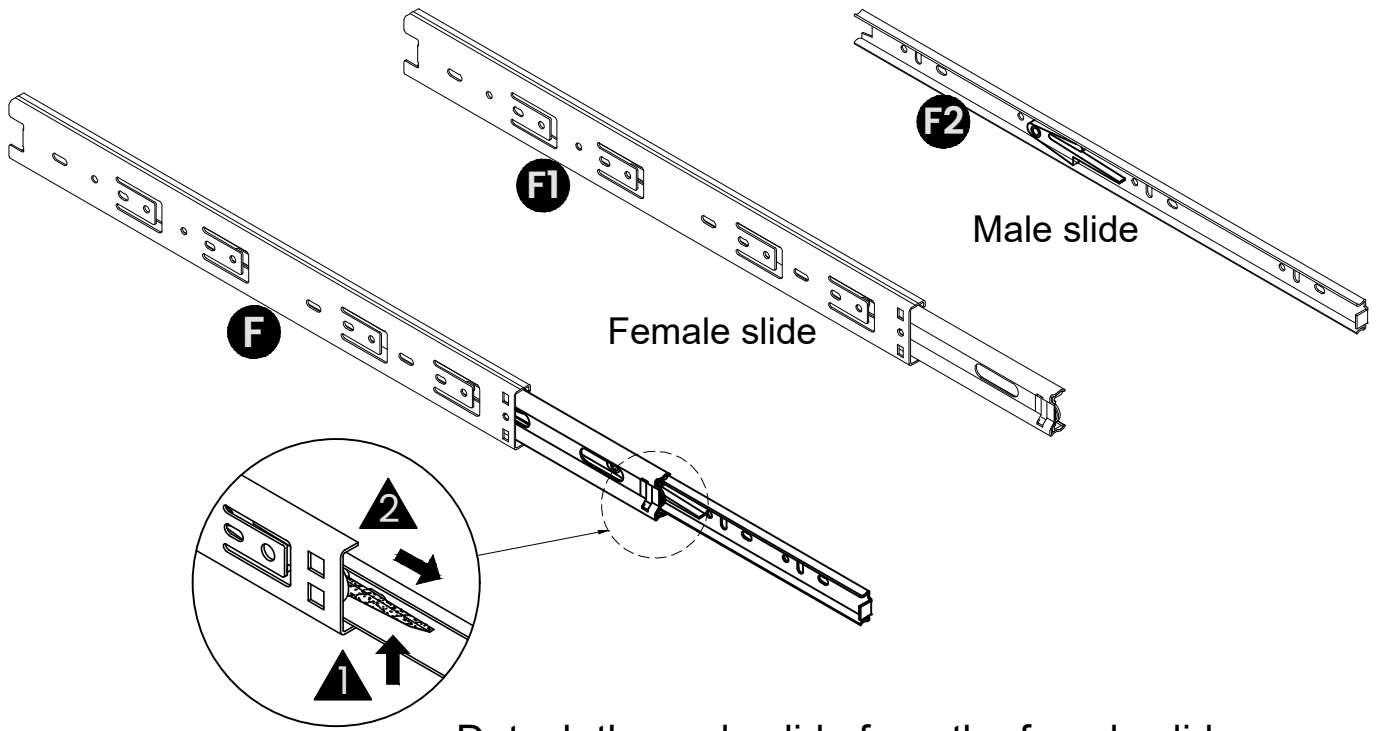
ID	Parts	QTY
I	FLAT HEAD SCREW	4
	Ø3X19mm 	
J	PAN HEAD SCREW	4
	Ø3.5X12mm 	
K	TEMPERED GLASS	1
		
L	POWER ADAPTER	1
		
M	HEX KEY	1
	Ø4X65mm 	
N	SCREWDRIVER	1
		
O	BOLT	2
	Ø6X25mm 	
P	BOLT	8
	Ø6X32mm 	

ID	Parts	QTY
Q	SPRING WASHER	10
		
R	FLAT WASHER	10
		
S	FLAT HEAD SCREW	24+2
	Ø4X35mm 	

ID	Parts	QTY
T	ANCHOR	4
		
U	HOOK	4
		
V	METAL TIES	2
		



STEP 1

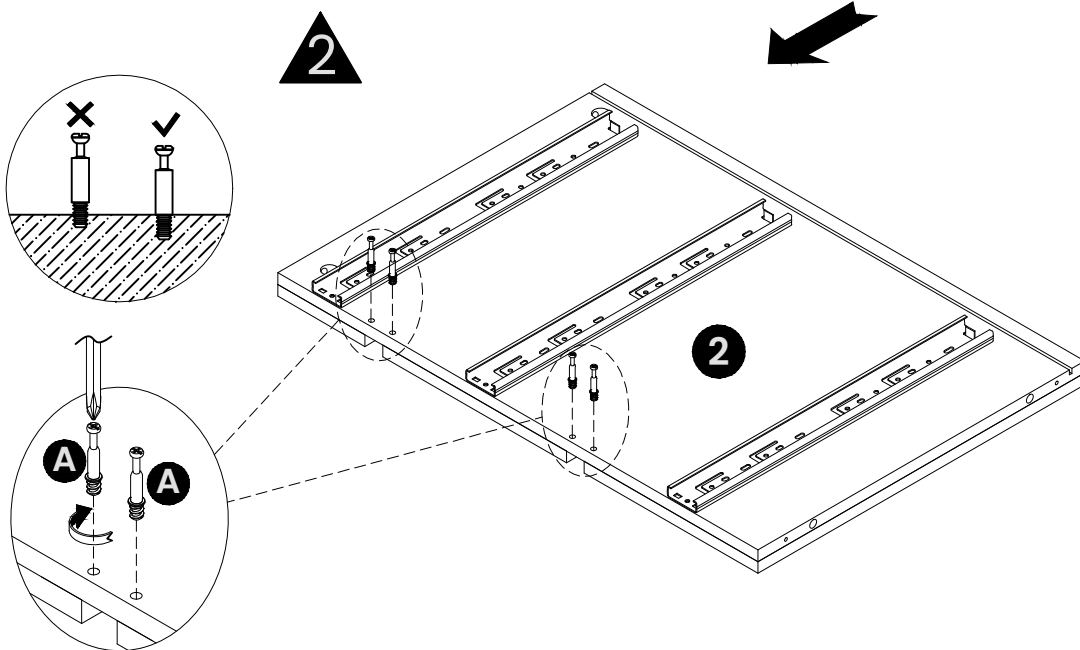
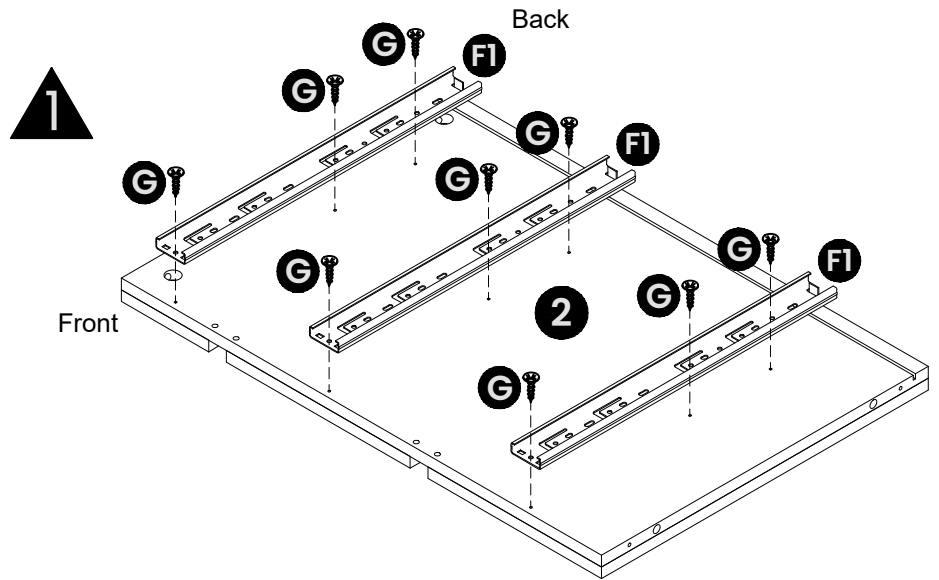
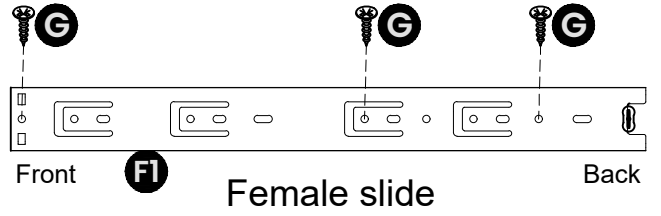


Detach the male slide from the female slide

STEP 2

 **A** X4

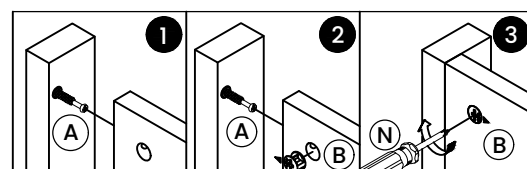
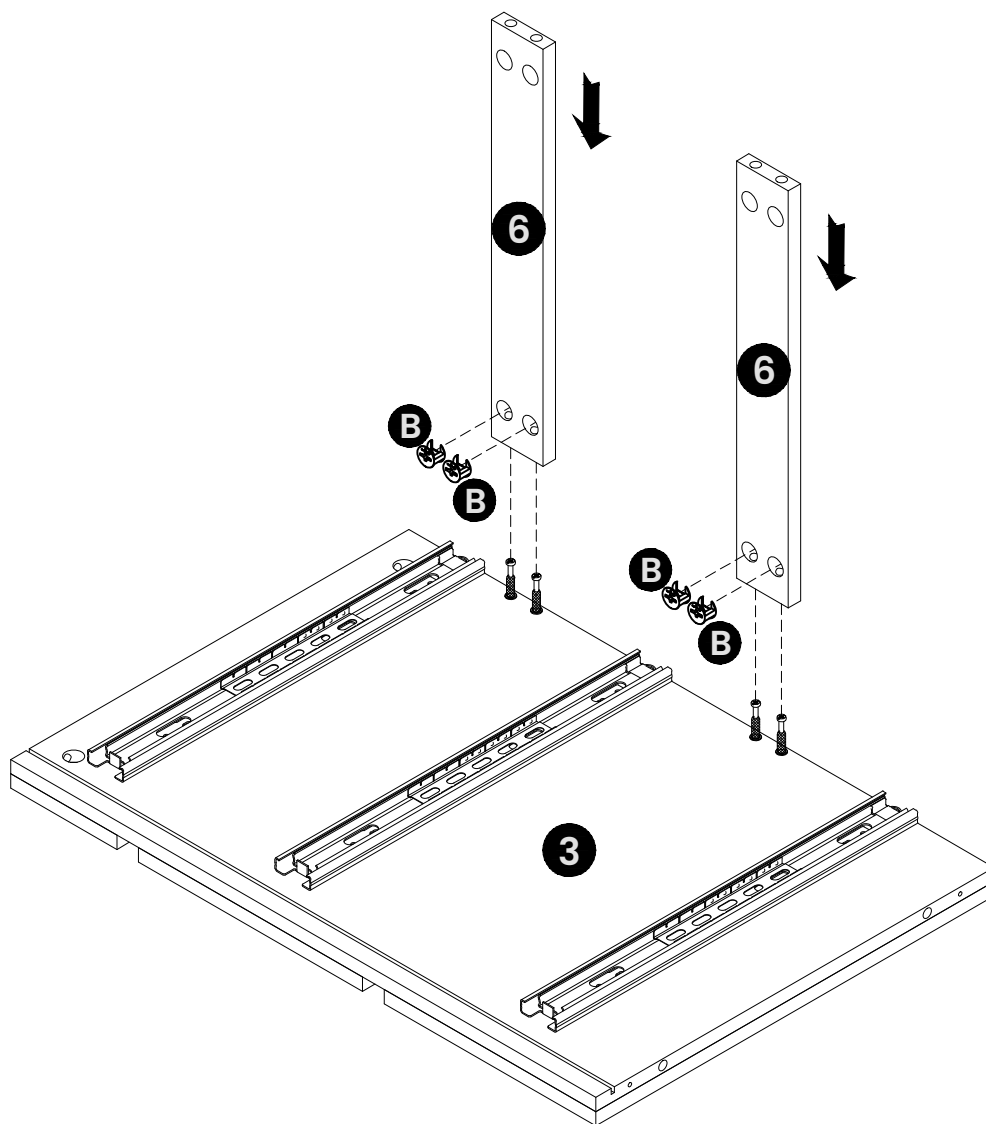
 **G** X9



STEP 4



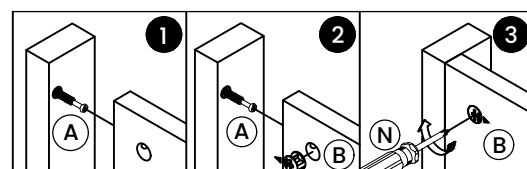
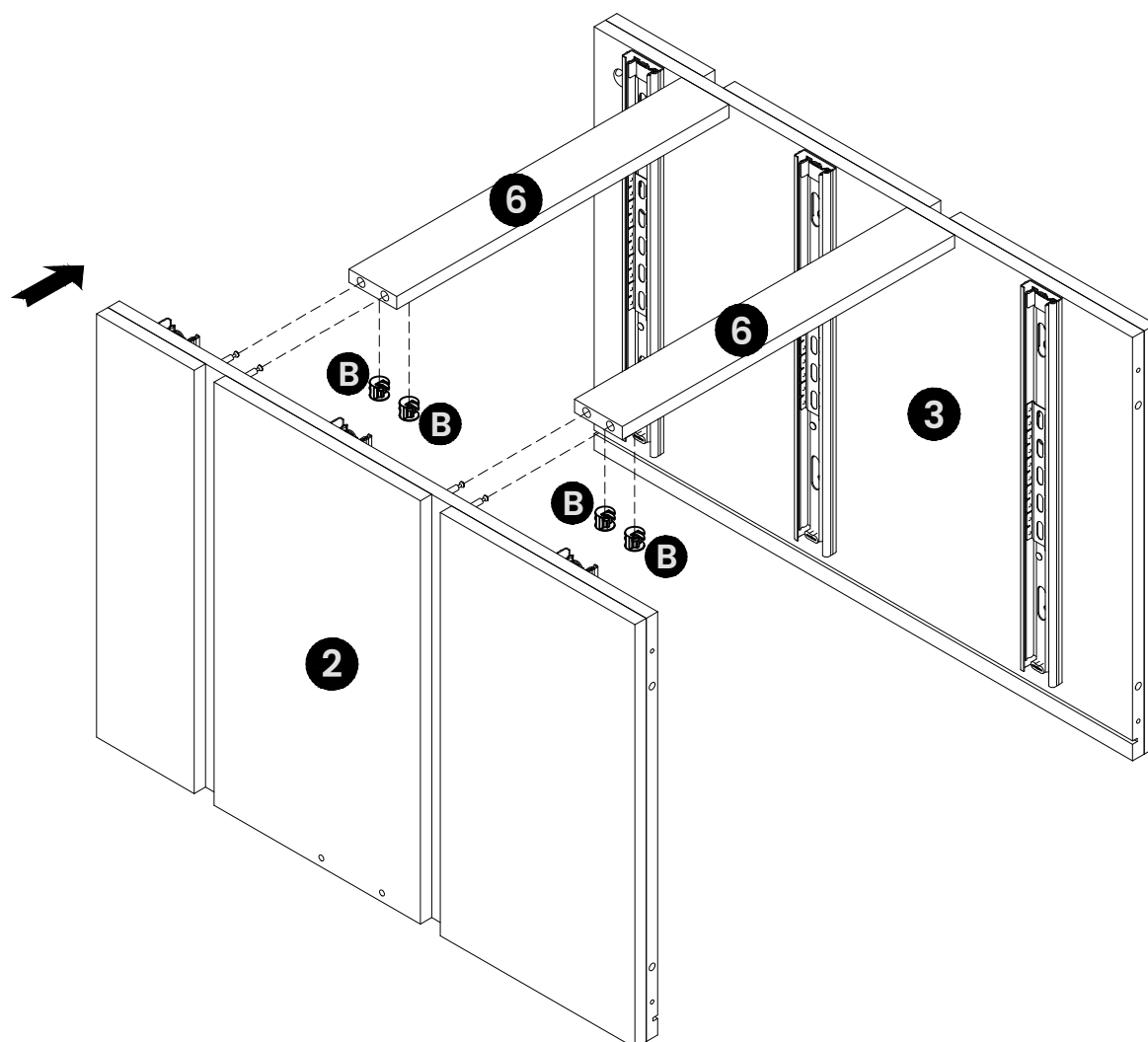
B X4



STEP 5



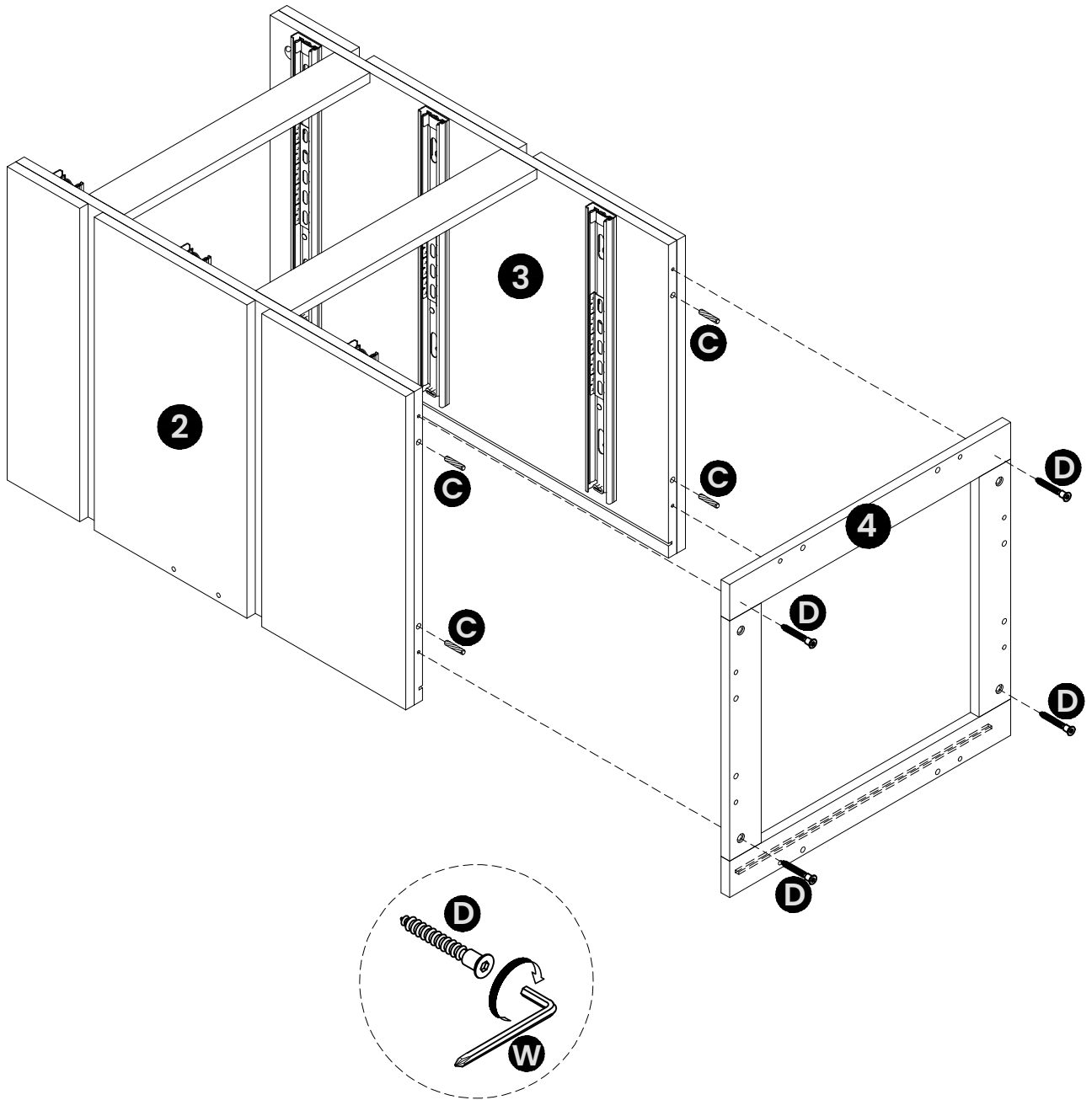
B X4



STEP 6

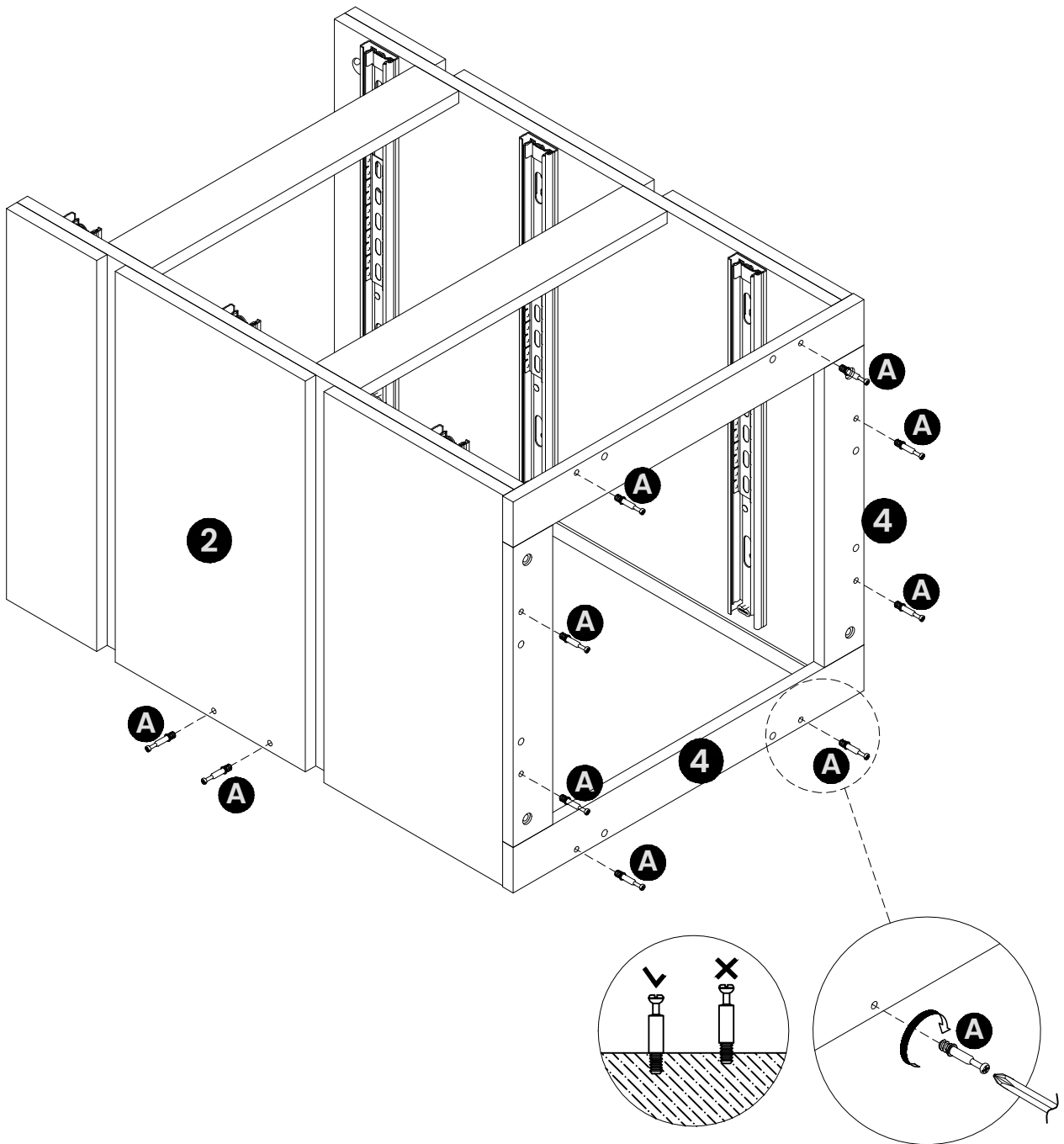
 **C** X4

 **D** X4



STEP 7

 **A** X10

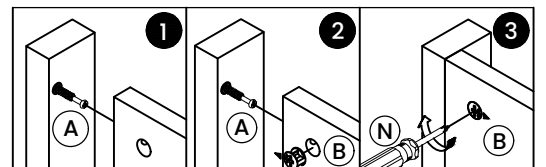
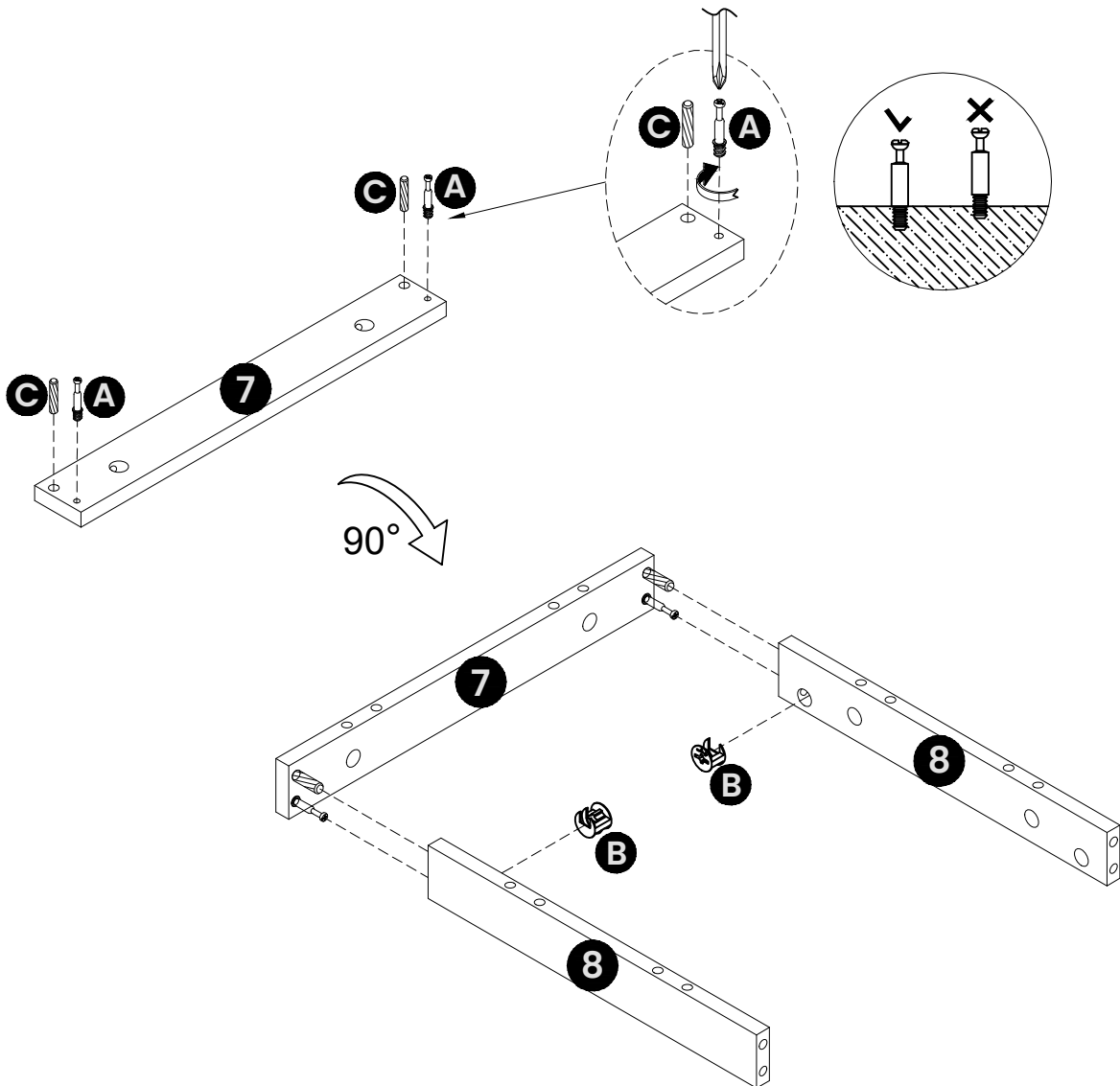


STEP 8

 **A** X2

 **B** X2

 **C** X2

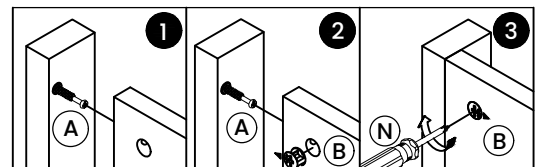
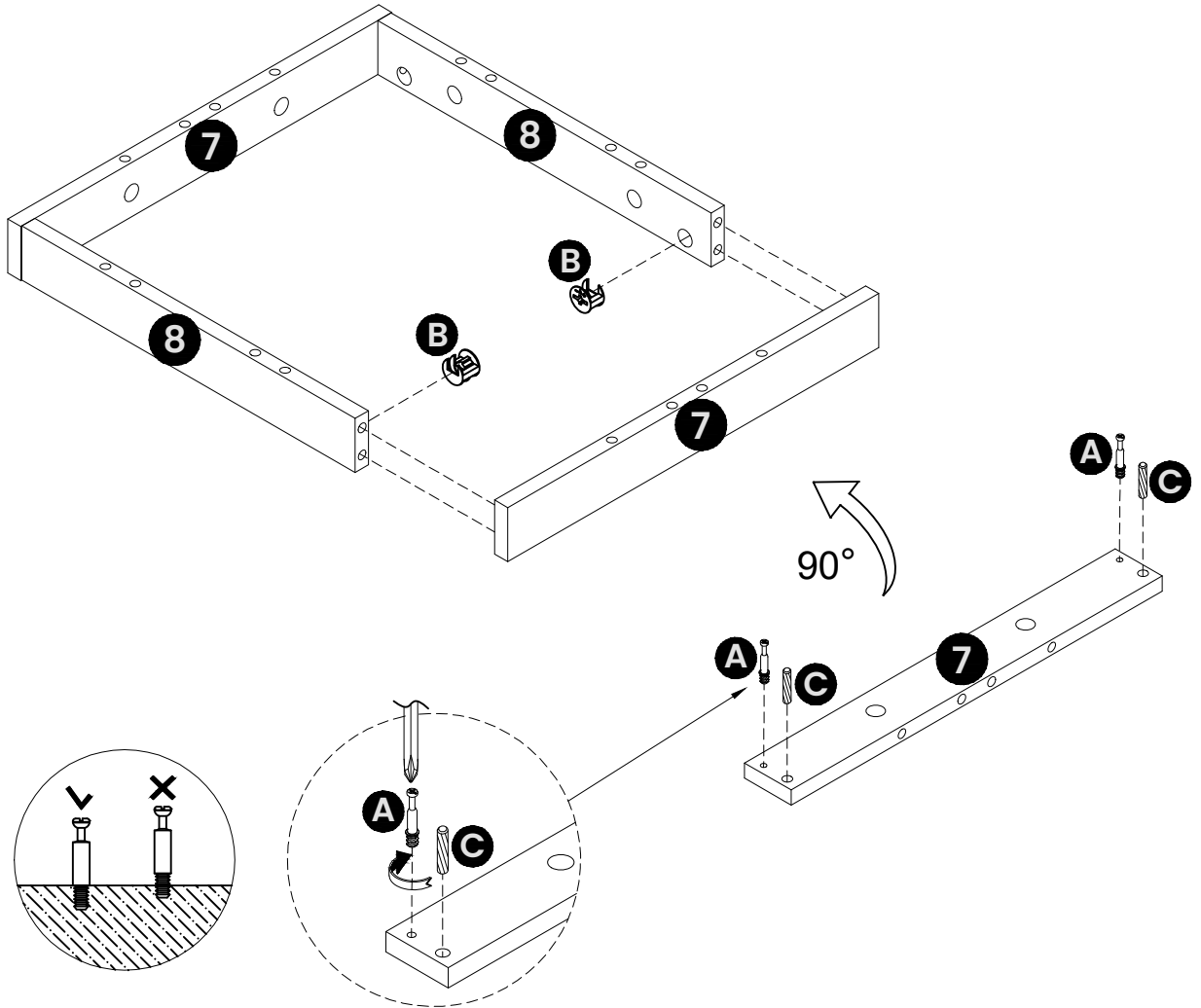


STEP 9

 **A** X2

 **B** X2

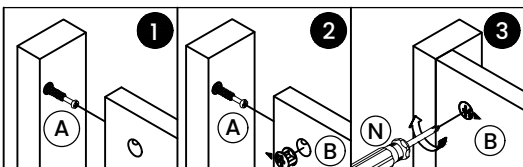
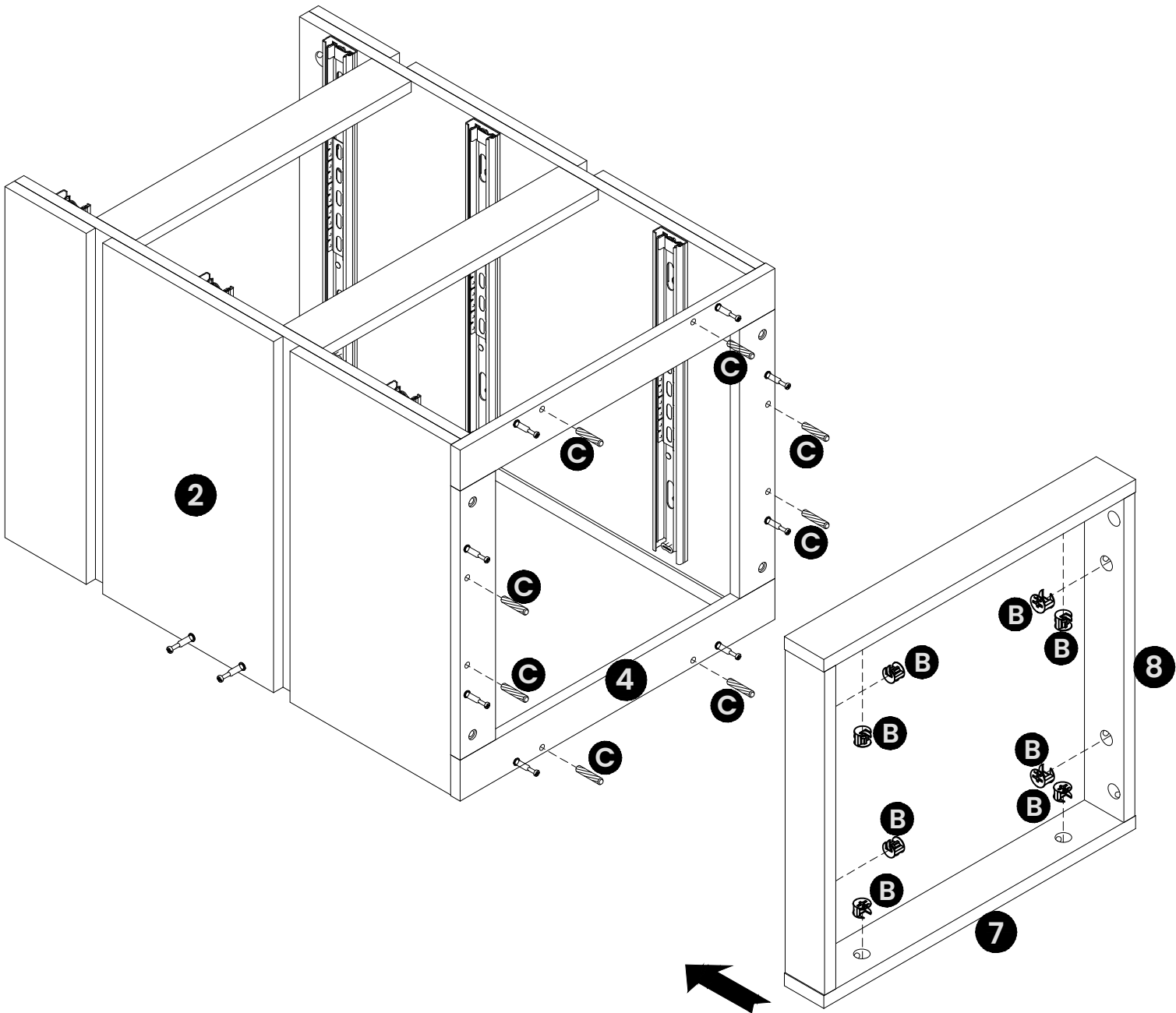
 **C** X2



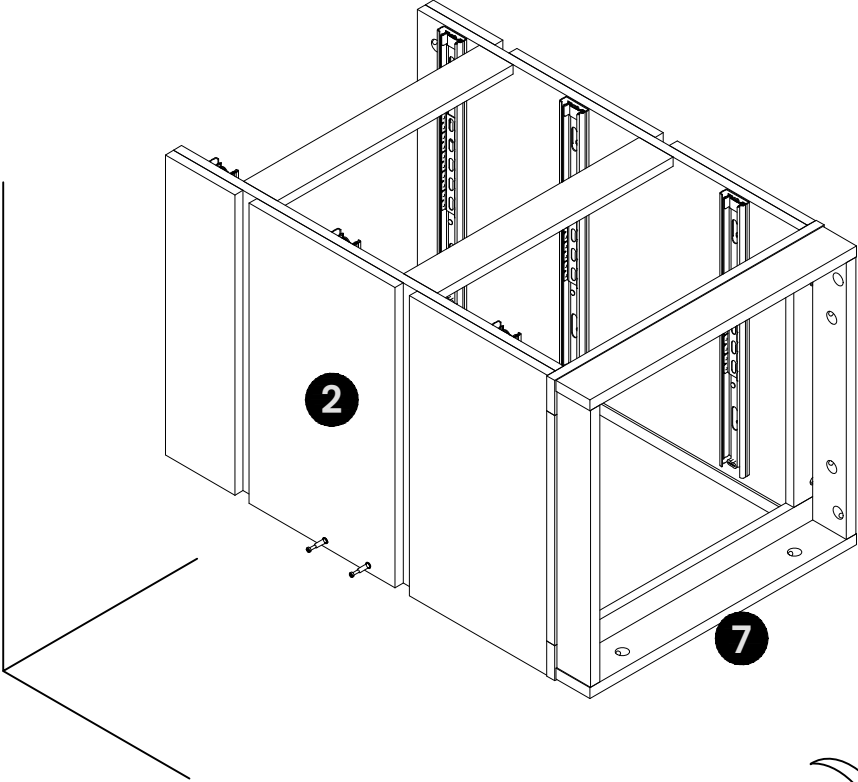
STEP 10

 **C** X8

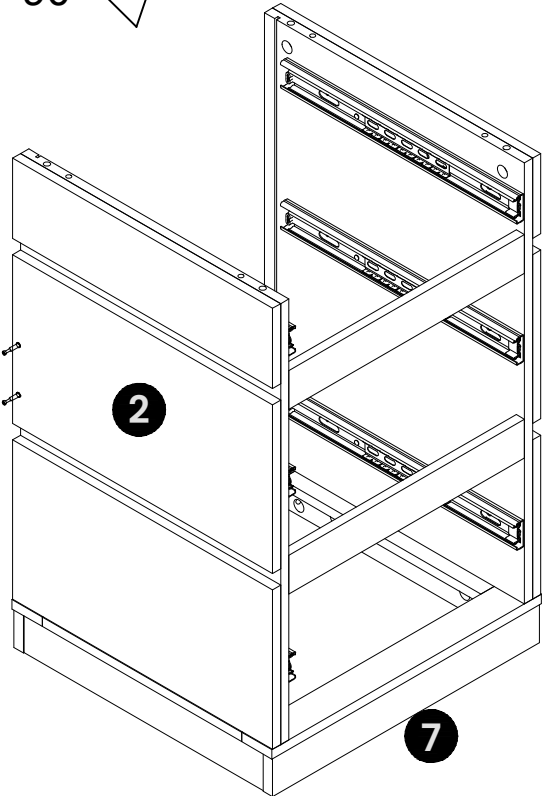
 **B** X8

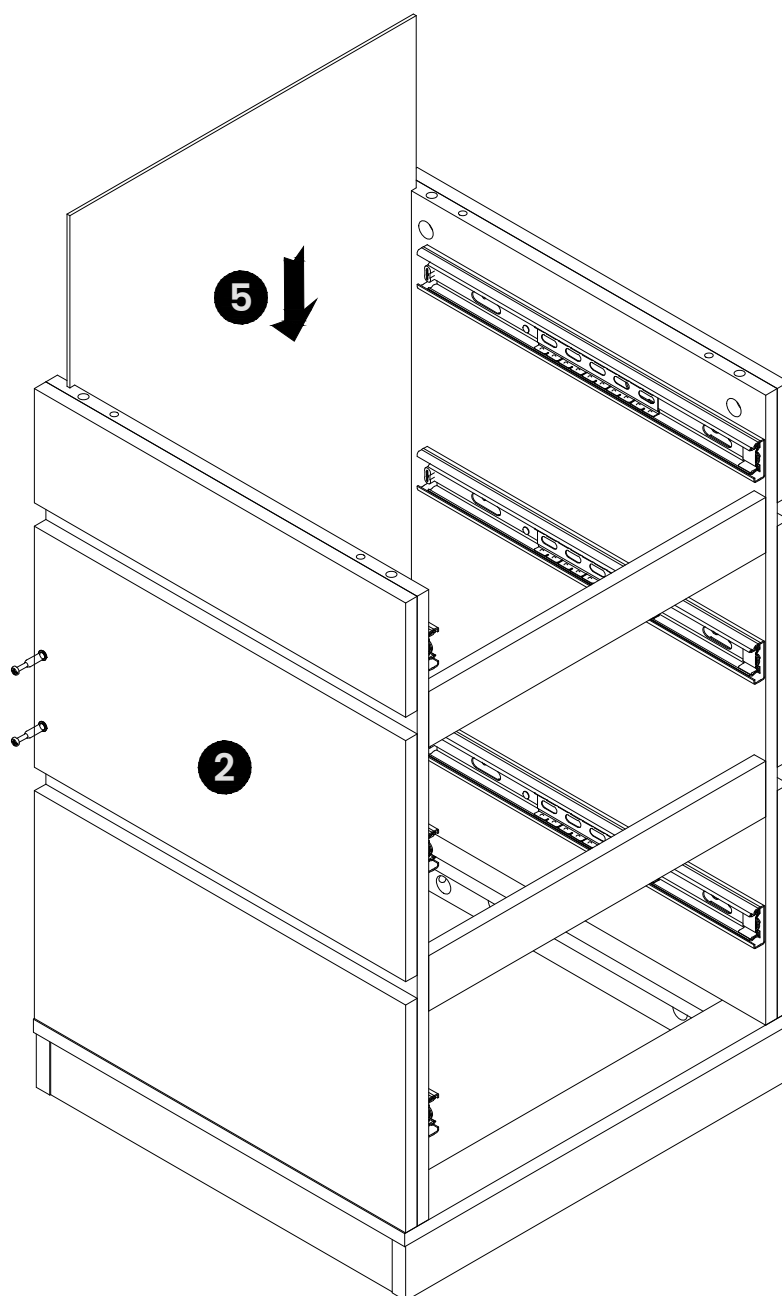


STEP 11



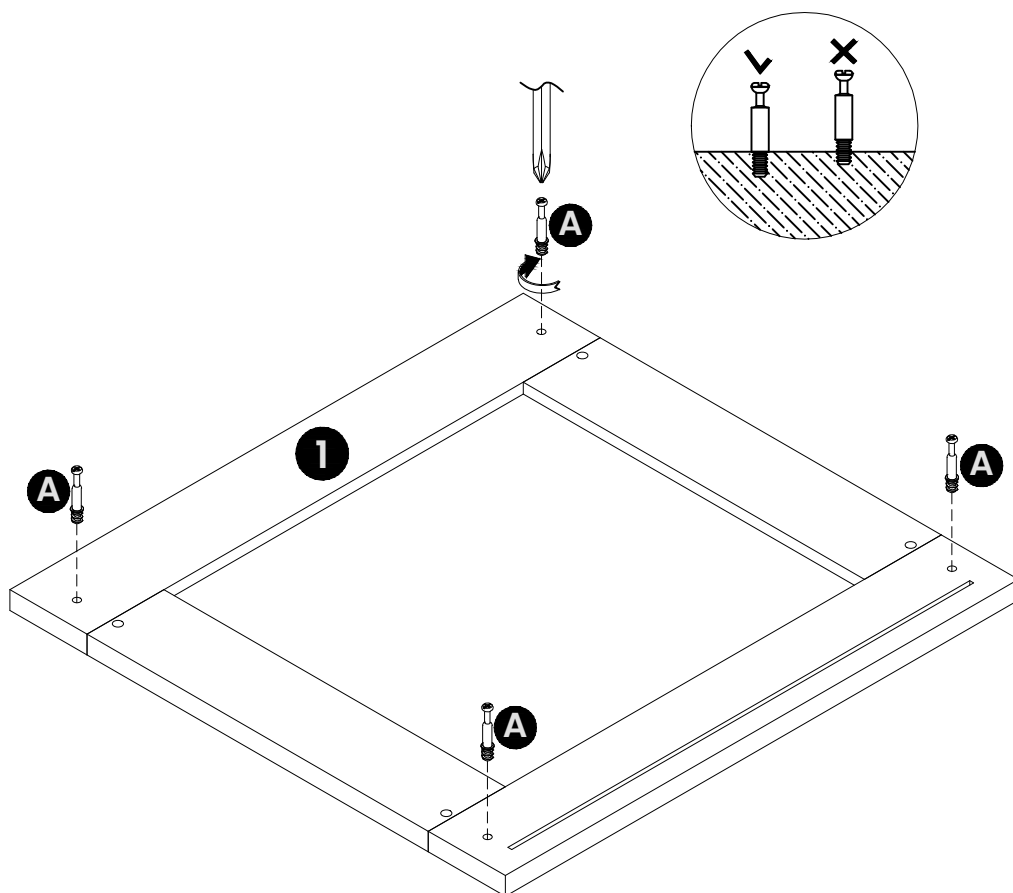
90°



STEP 12

STEP 13

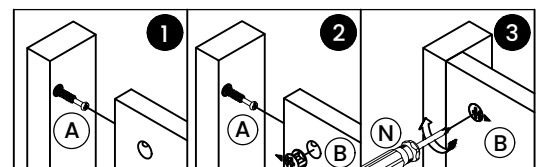
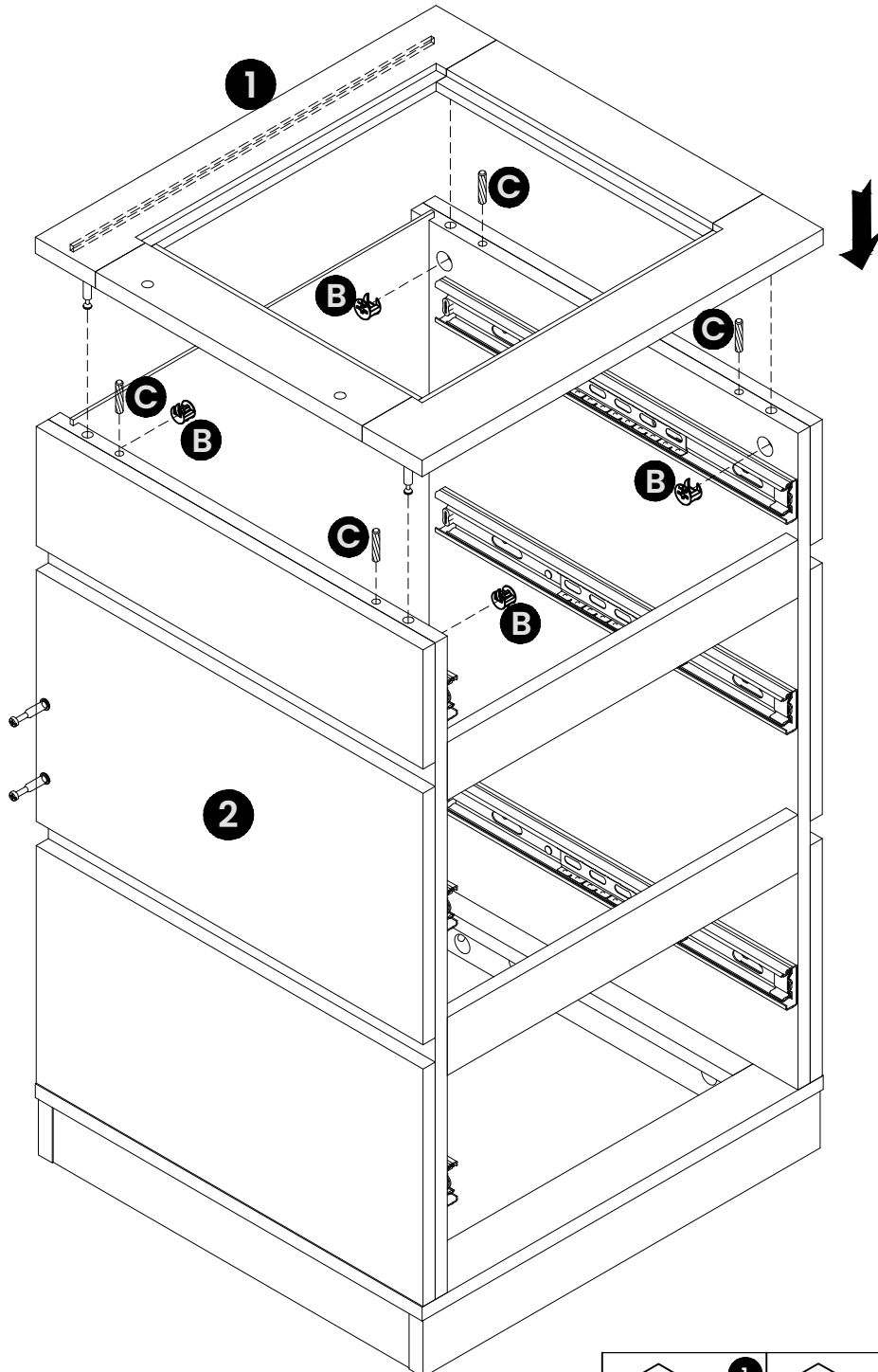
 **A** X4



STEP 14

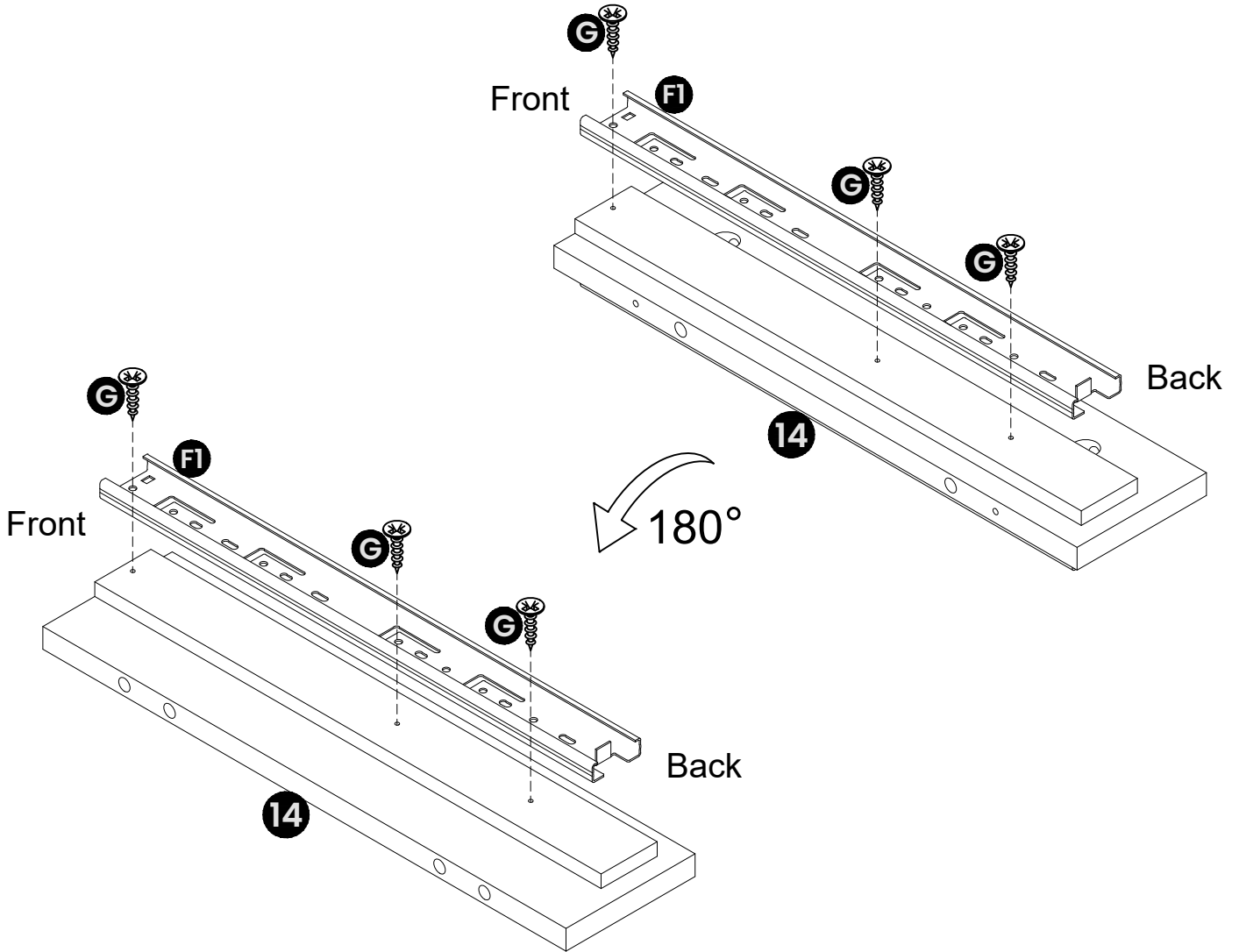
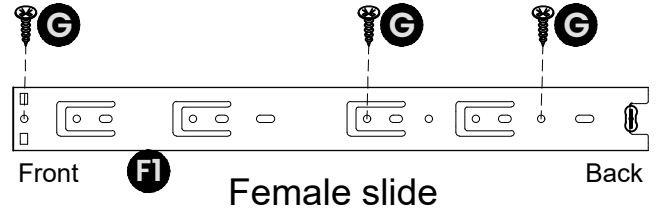
 **B** X4

 **C** X4



STEP 15

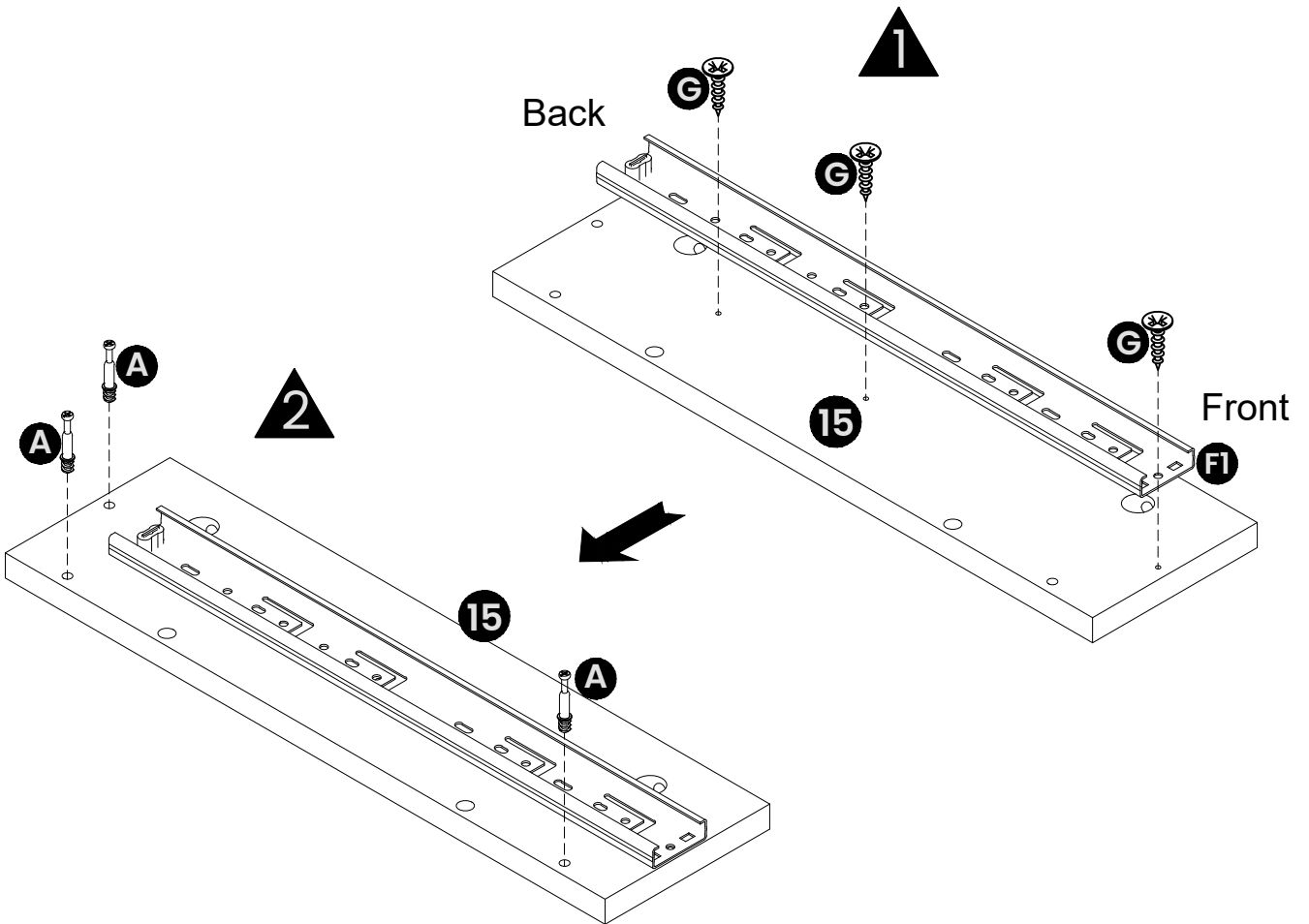
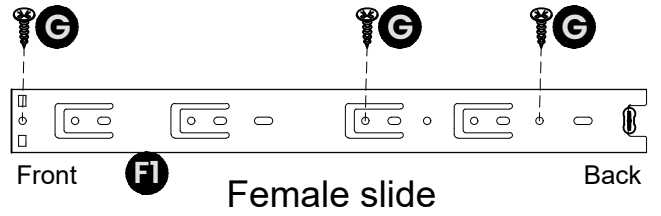
  X6

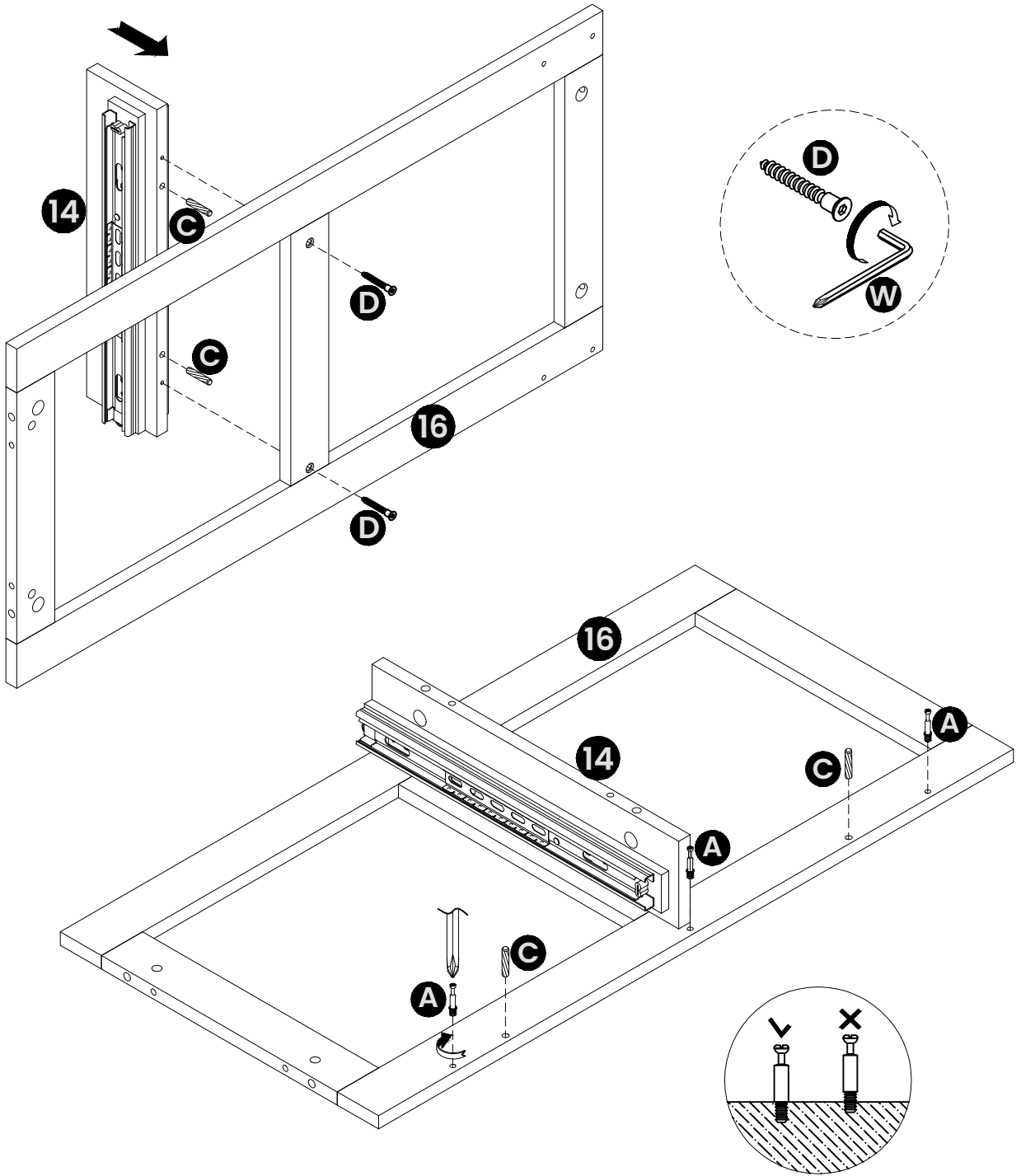


STEP 16

 **A** X3

 **G** X3

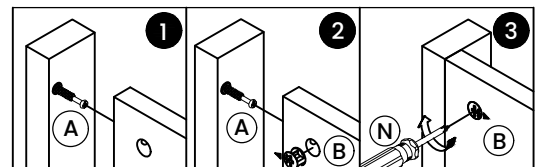
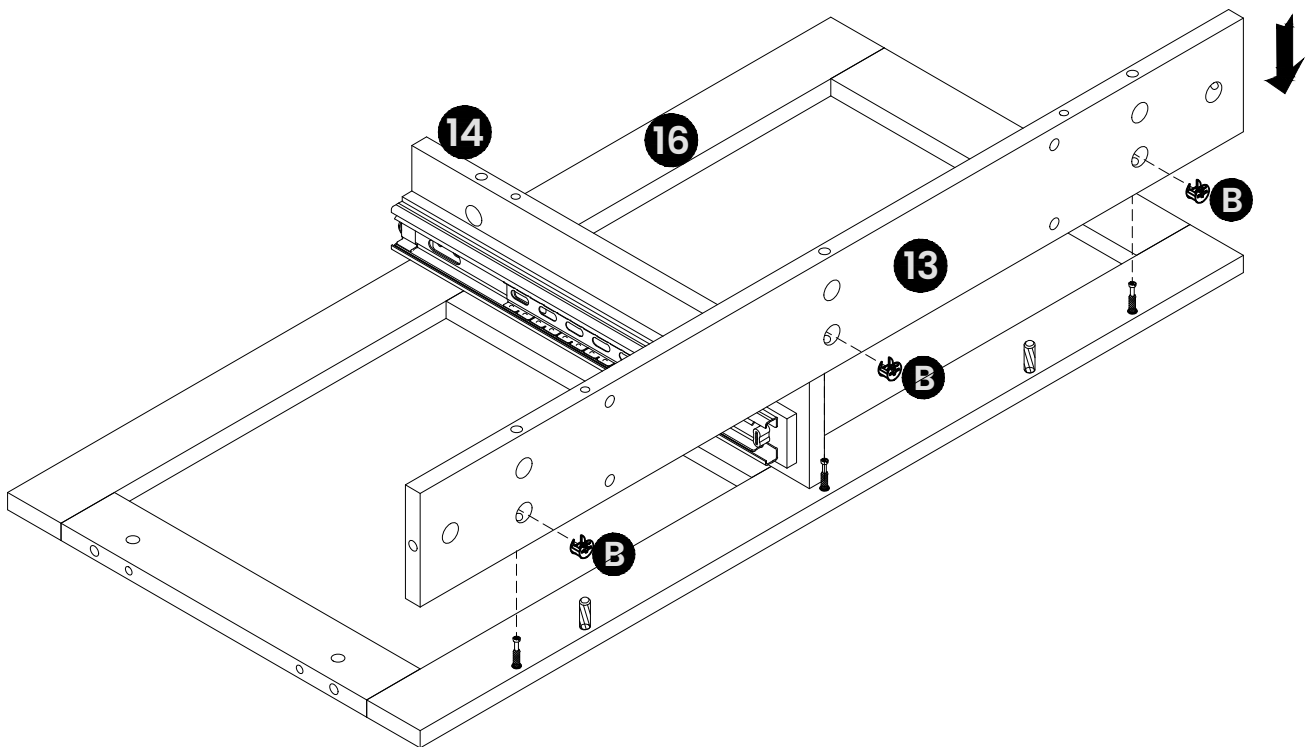


STEP 17 **A** X3 **C** X4 **D** X2

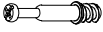

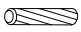
STEP 18

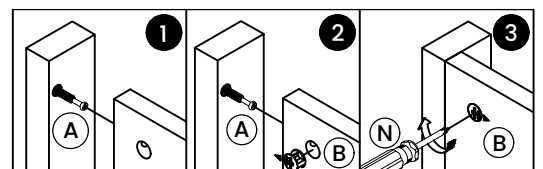
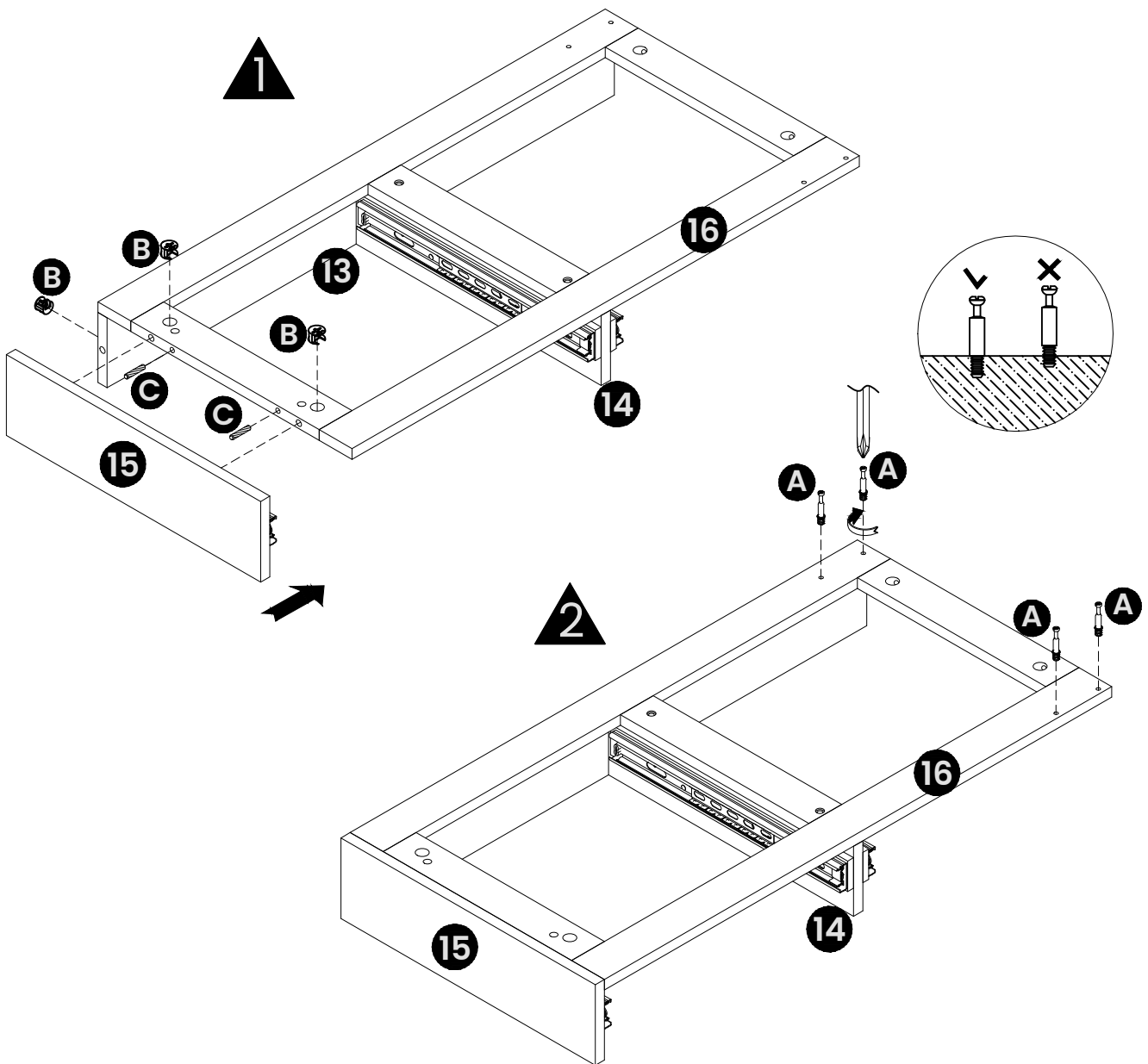


B X3



STEP 19

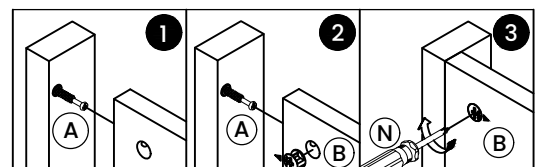
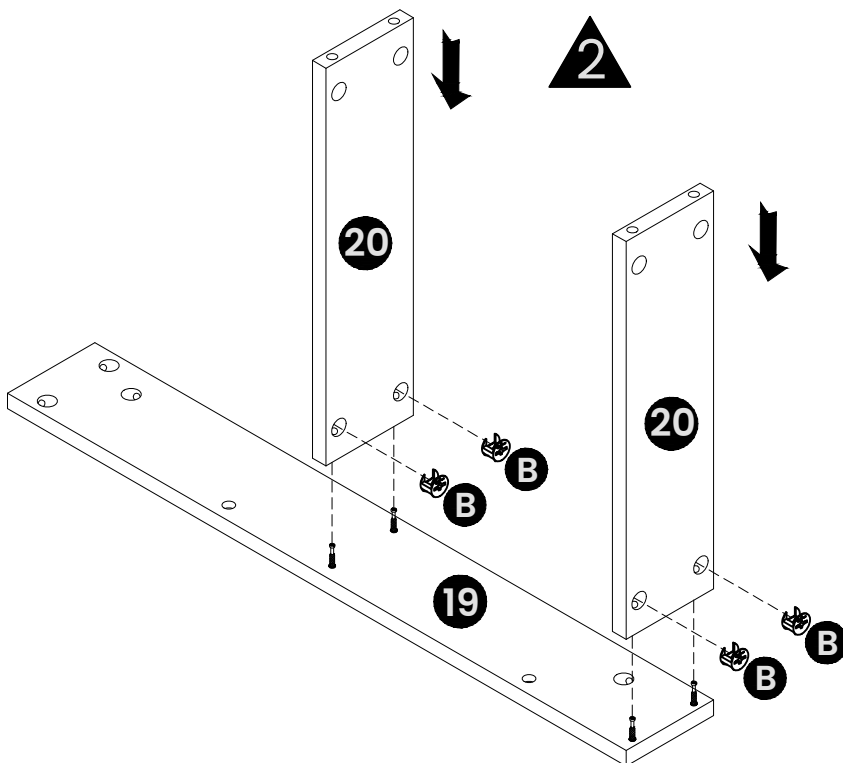
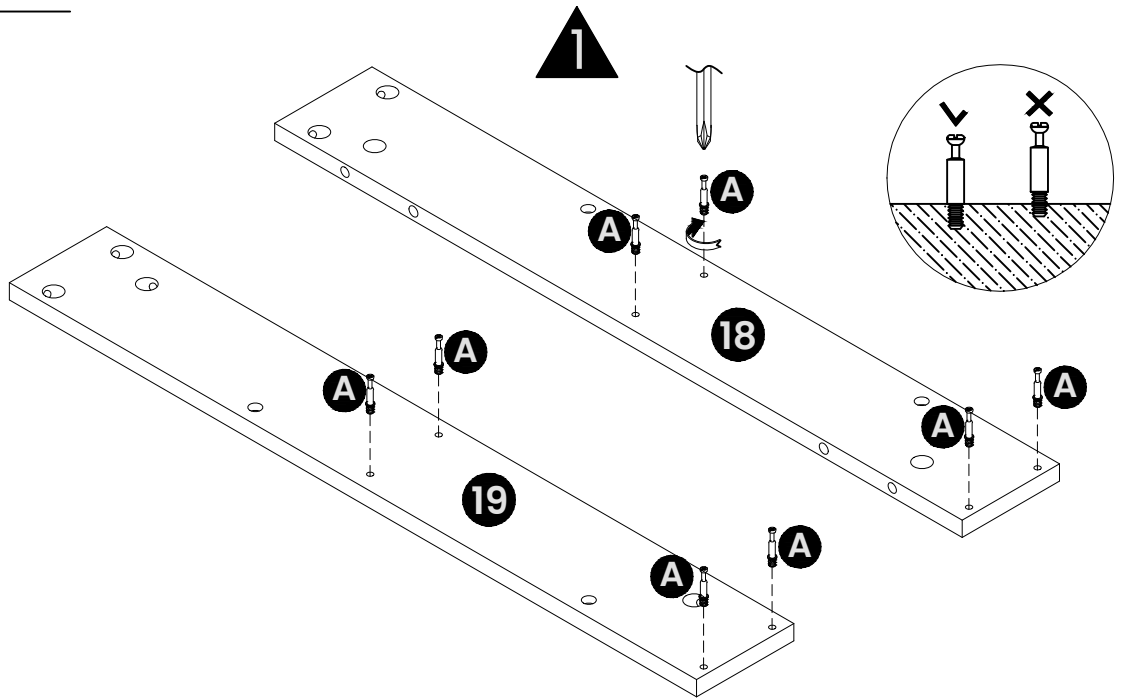
-  **A** X4
-  **B** X3
-  **C** X2





STEP 20

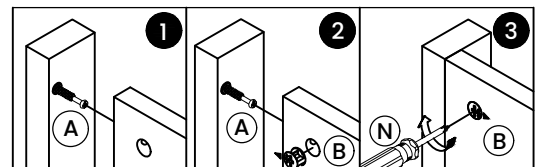
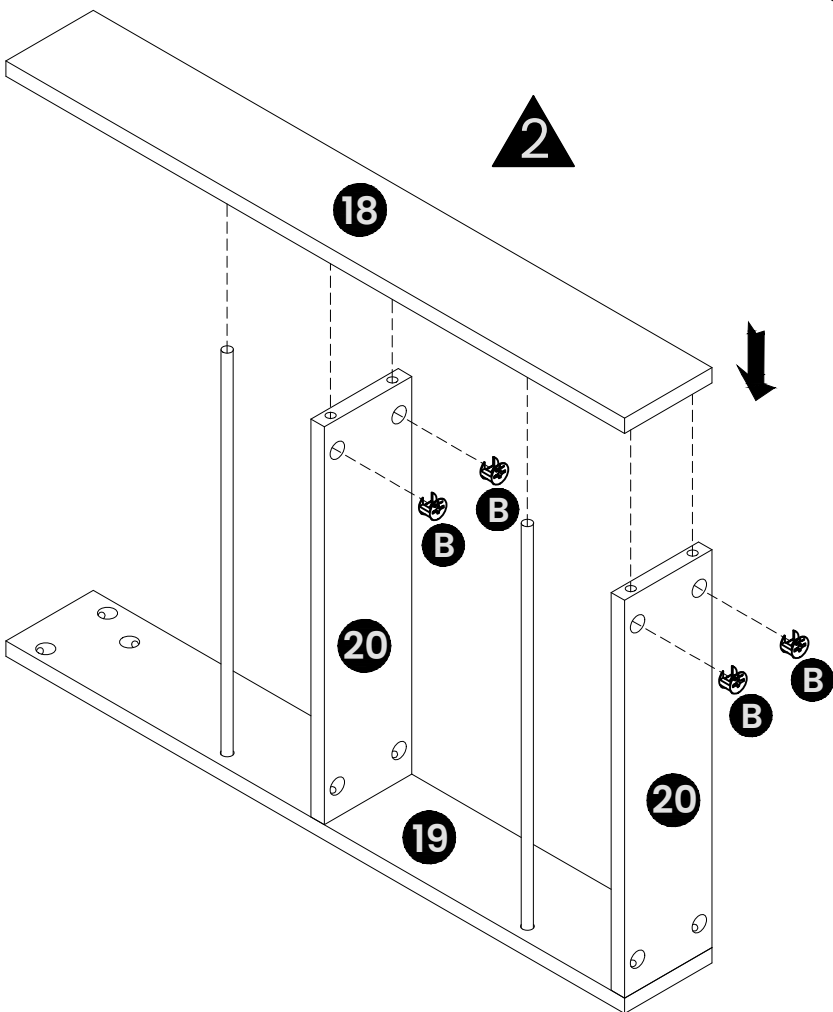
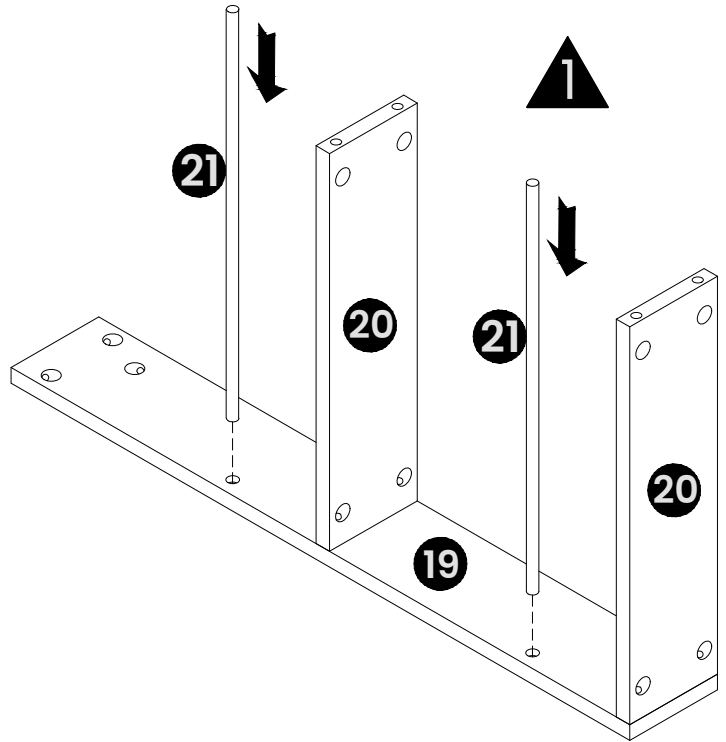
 **A** X8

 **B** X4



STEP 21

-  **B** X4
-  **21** X2

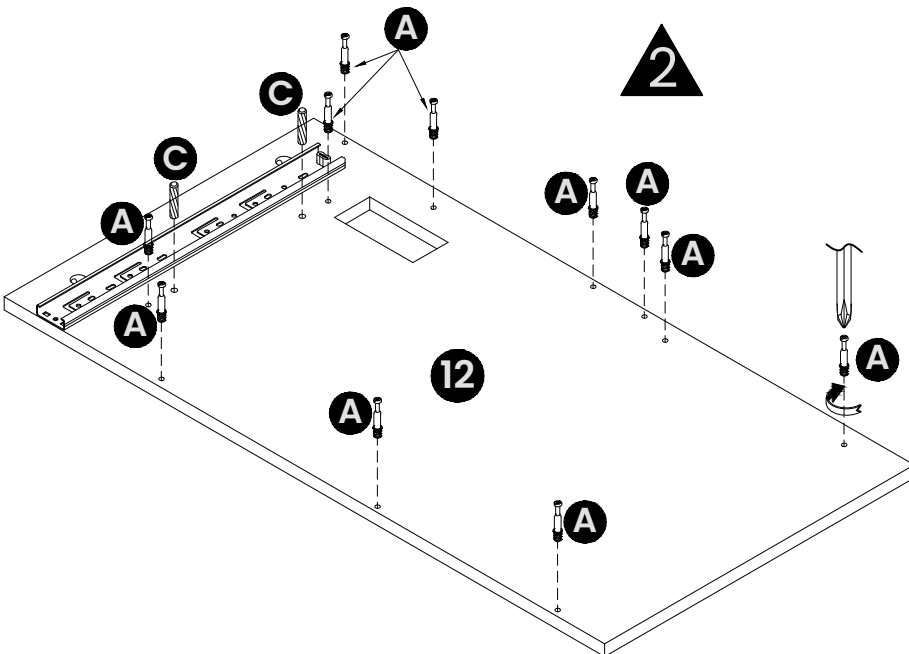
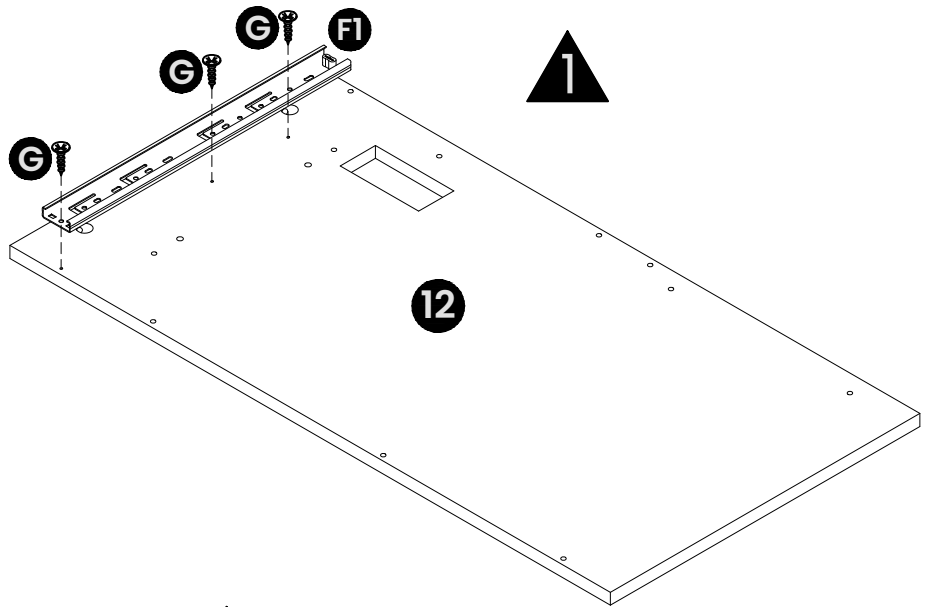
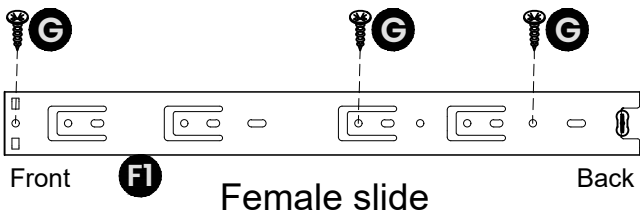


STEP 22

 **A** X11

 **C** X2

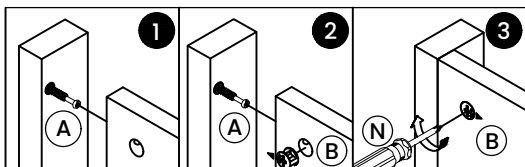
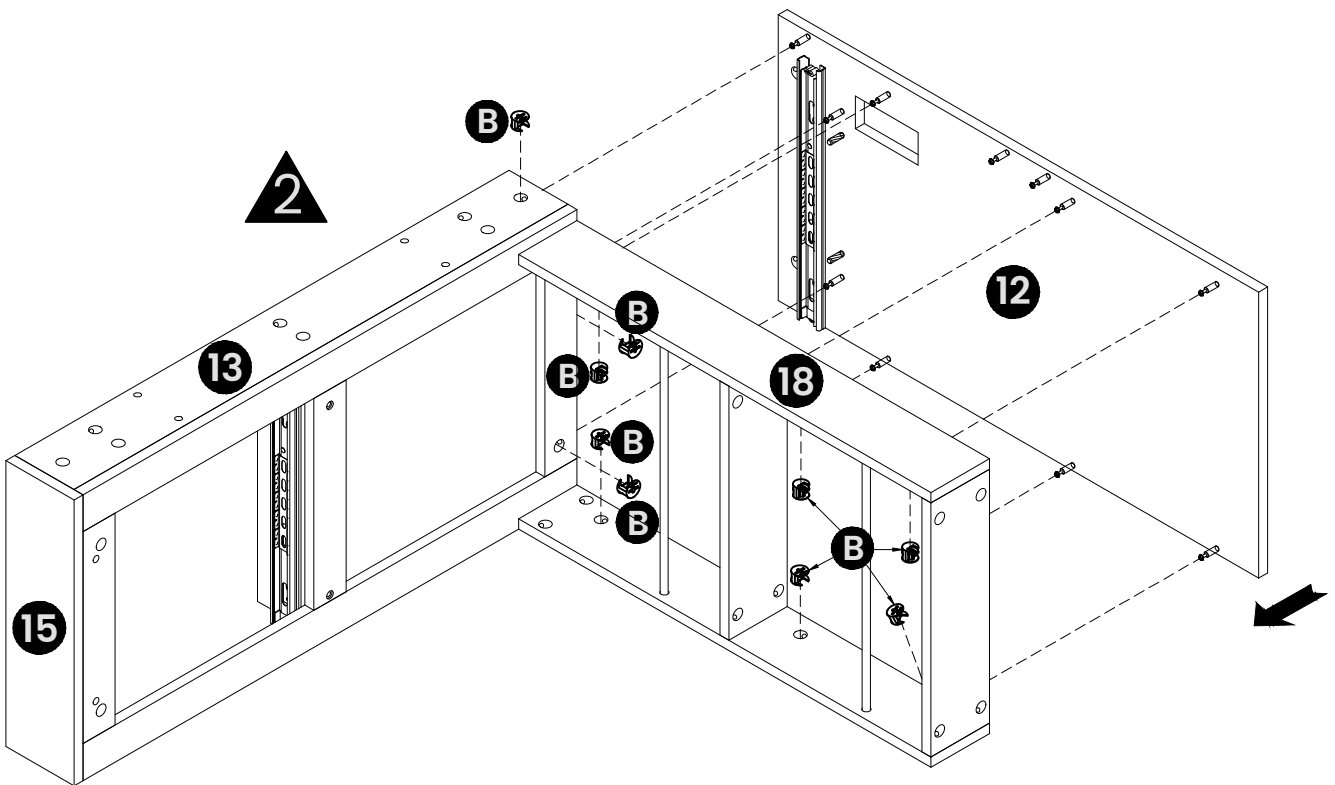
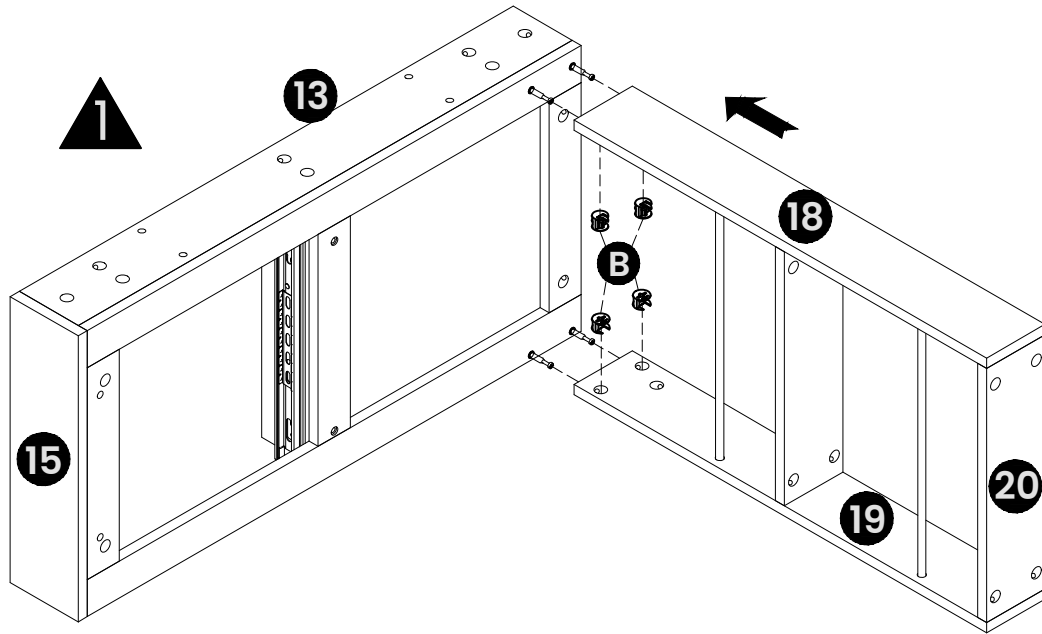
 **G** X3



STEP 23



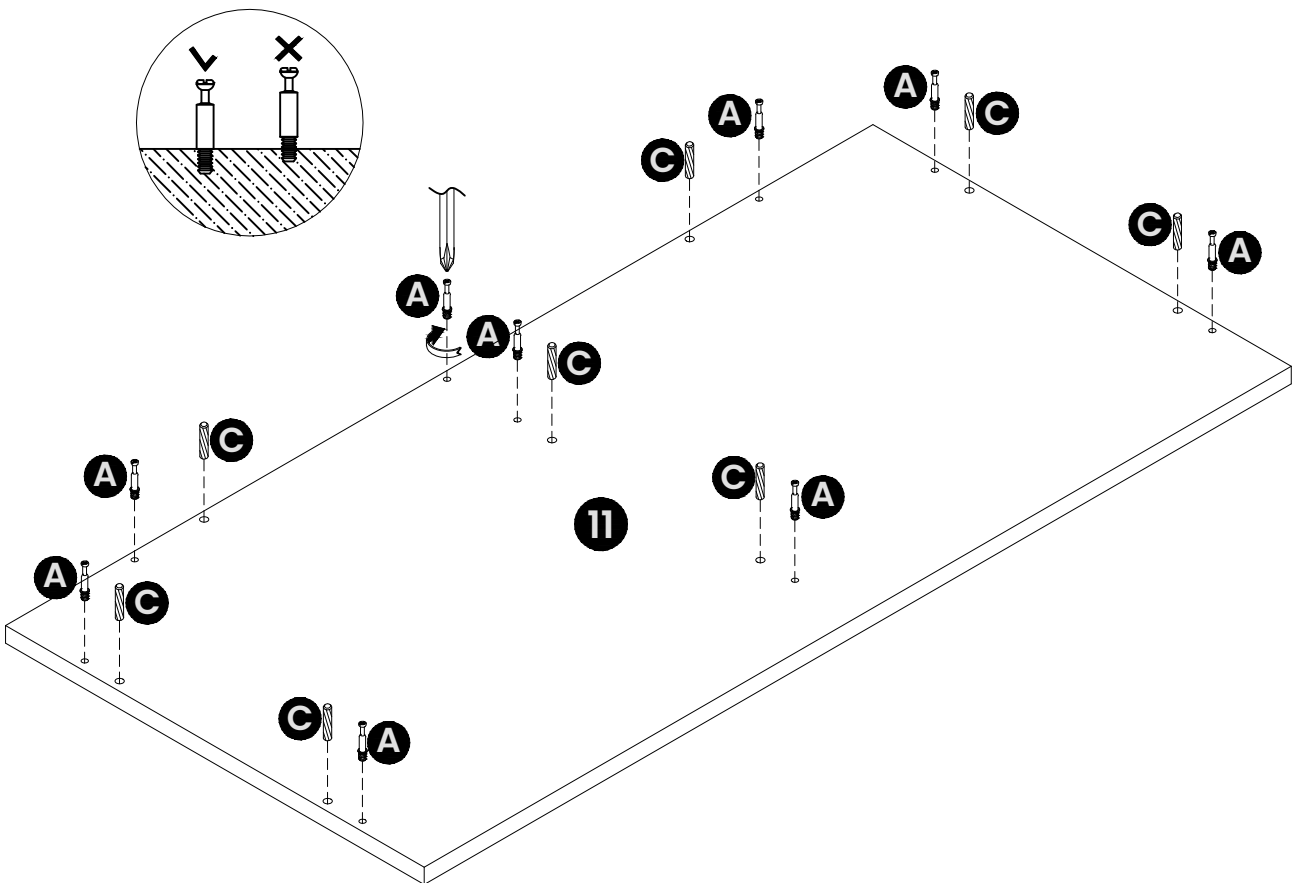
B X13



STEP 24

 **A** X9

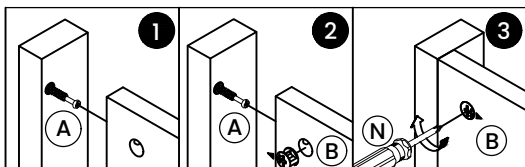
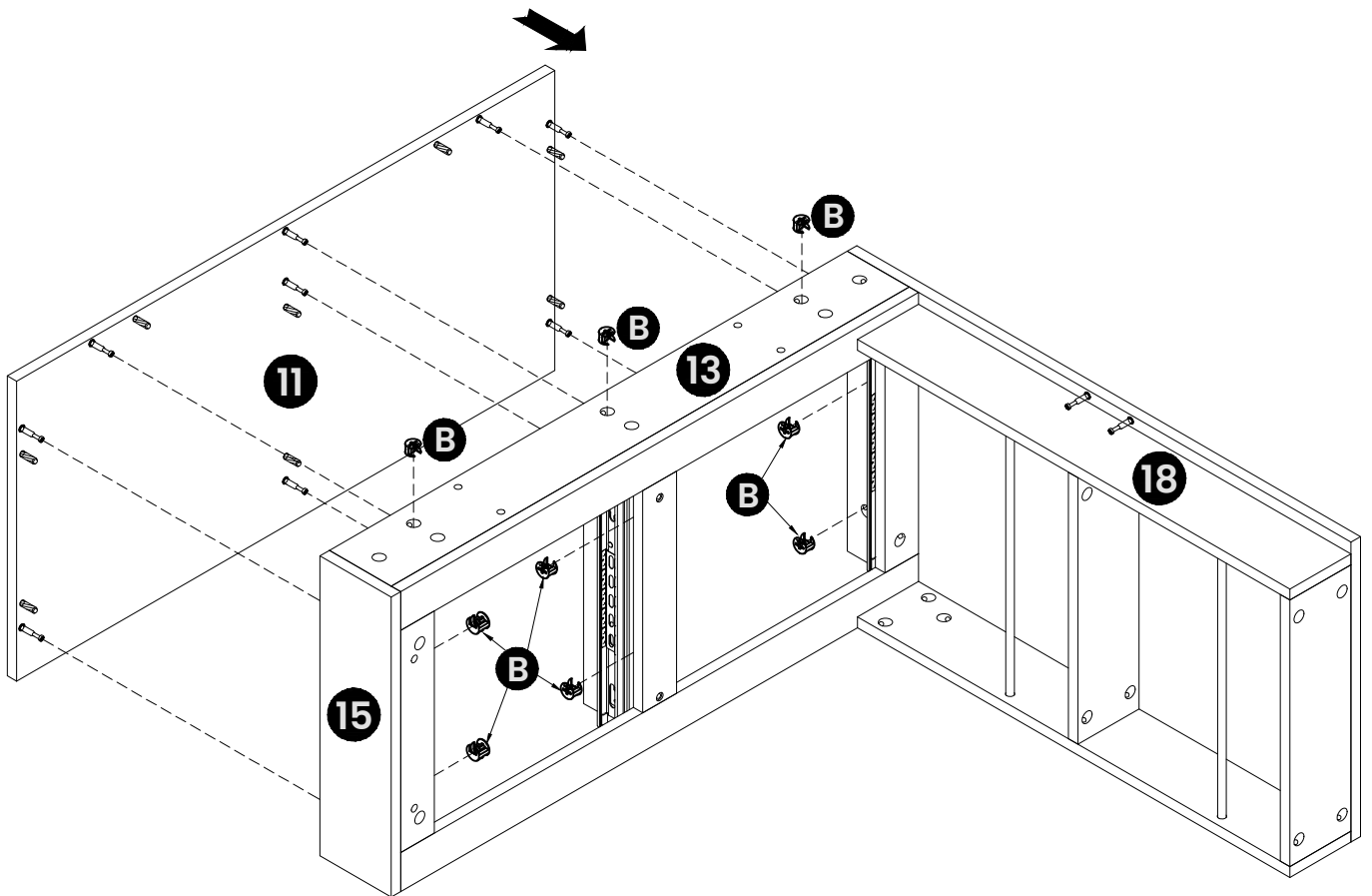
 **C** X8



STEP 25



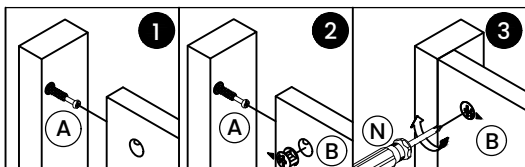
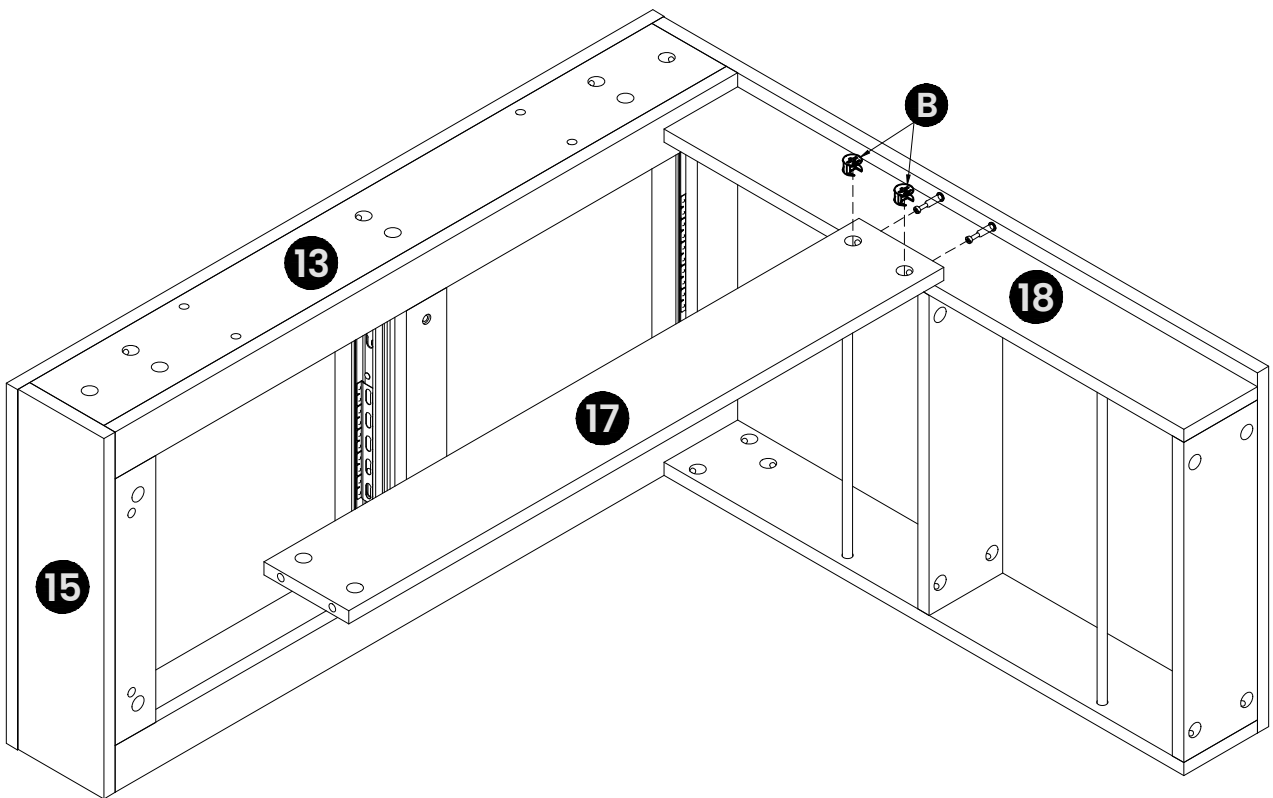
B X9



STEP 26



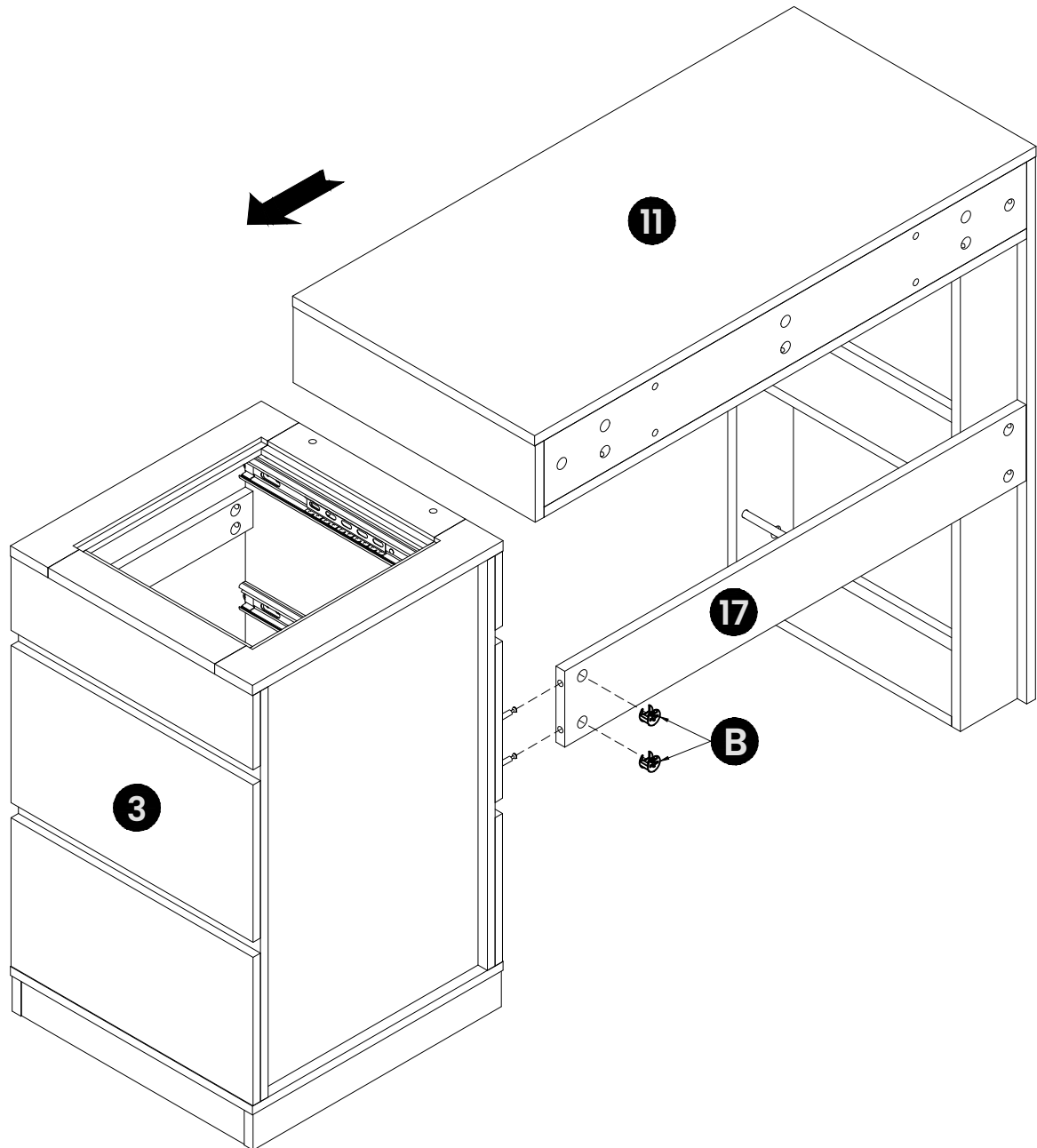
B X2



STEP 27



B X2



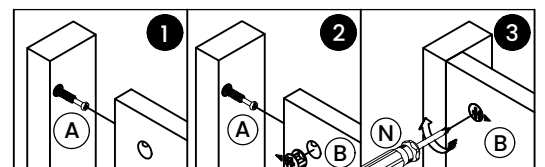
EN: It is recommended that two people assemble.

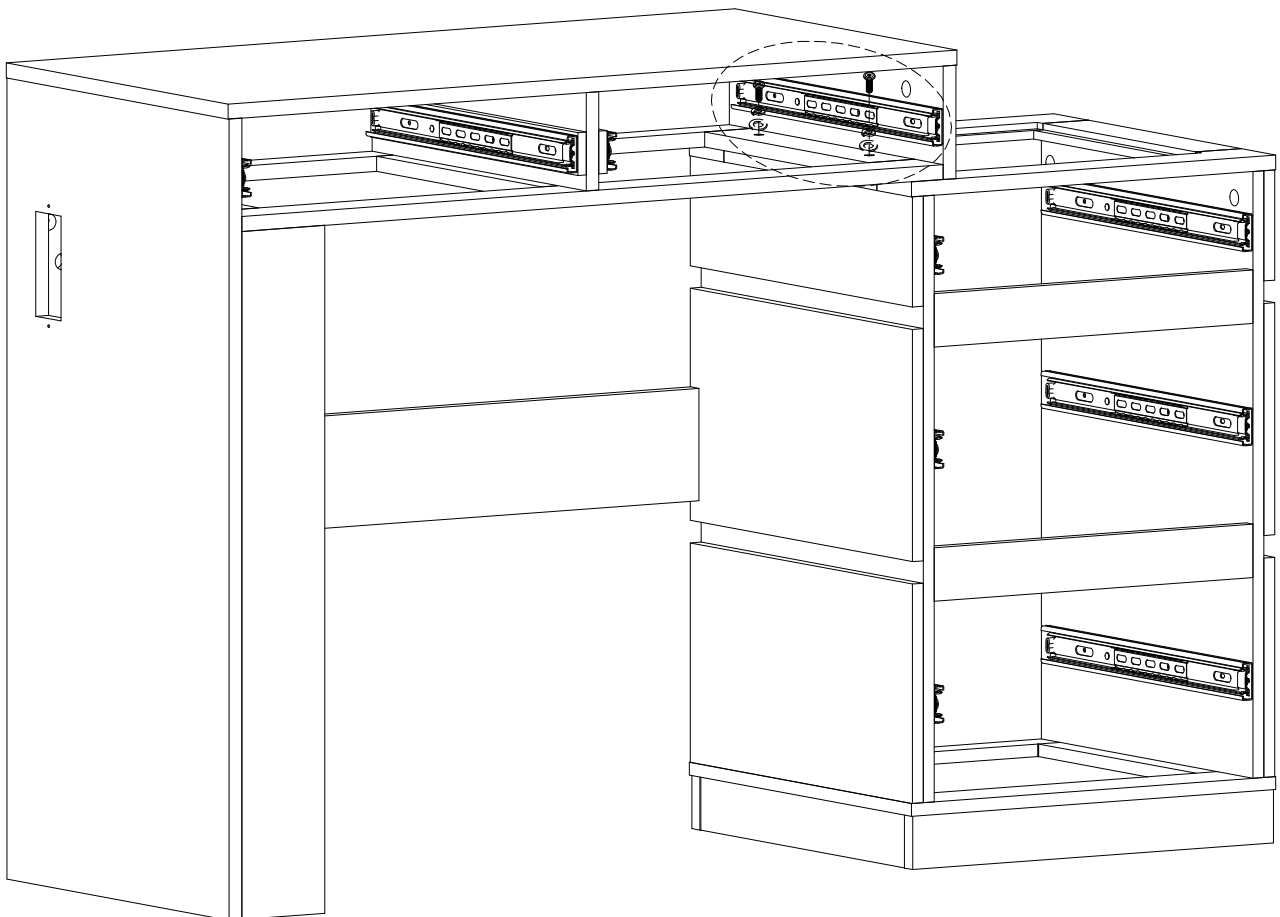
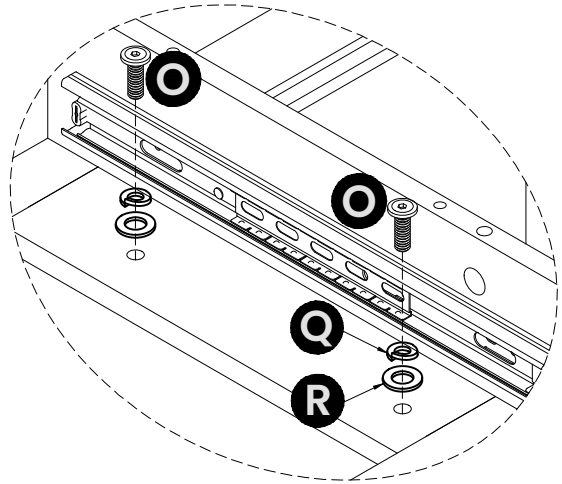
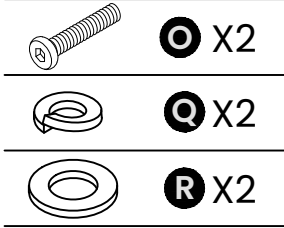
DE: Es wird empfohlen, dass die Montage von zwei Personen durchgeführt wird.

FR: Il est recommandé que deux personnes effectuent le montage.

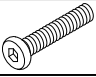


IT: Si consiglia di effettuare il montaggio in due.

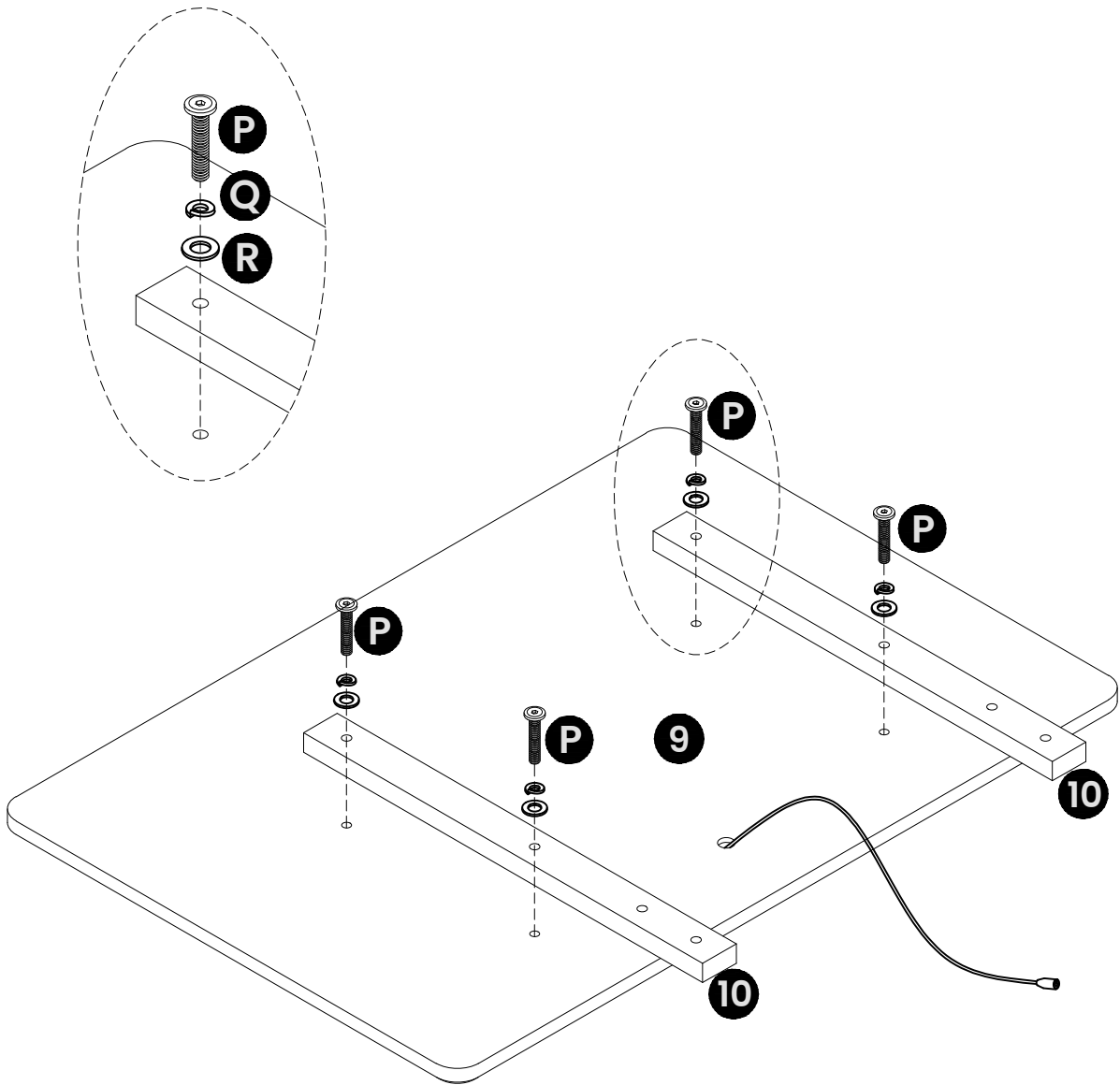
ES: Se recomienda que se reúnan dos personas.



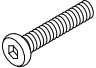


STEP 28

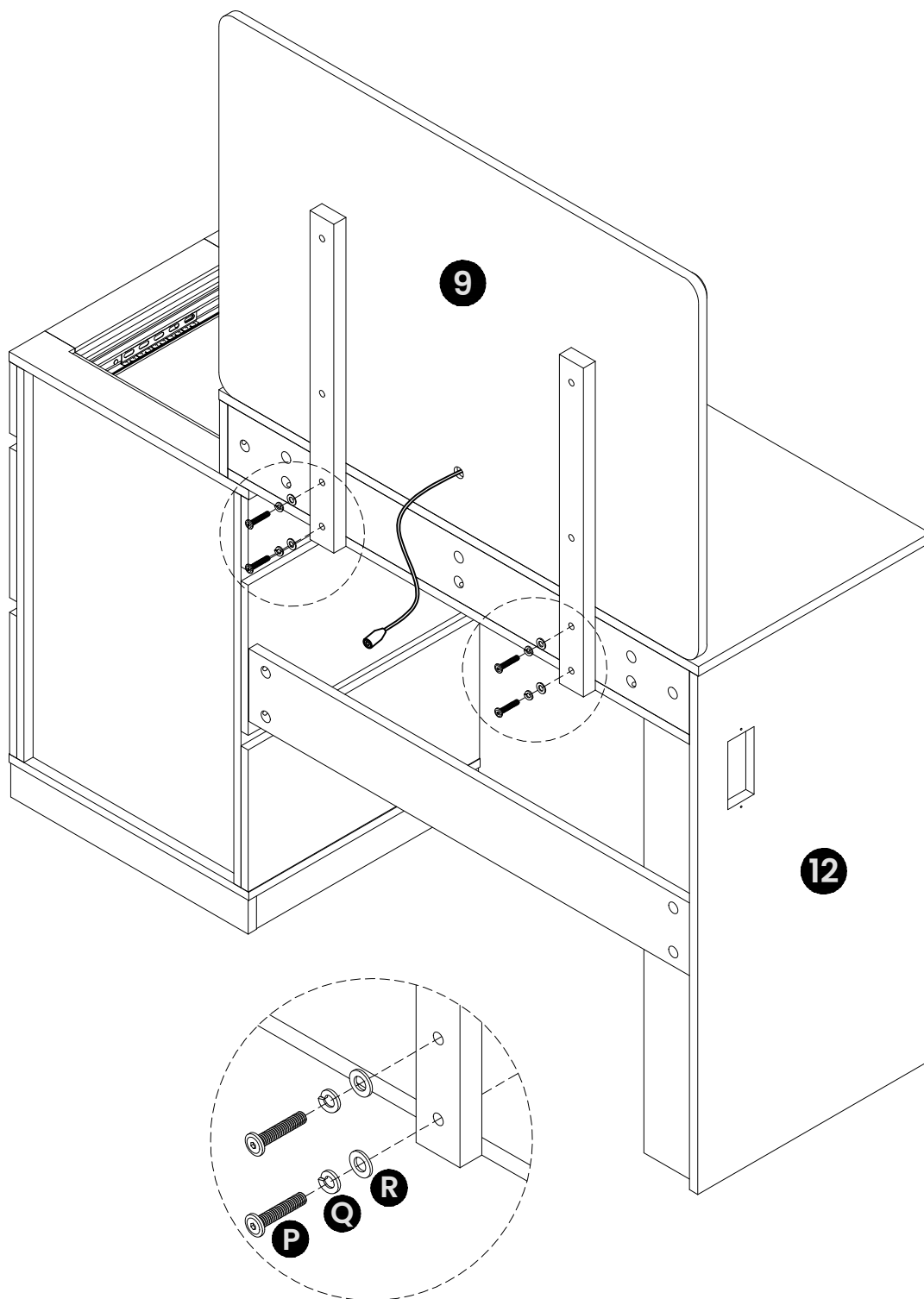
STEP 29

-  **P** X4
-  **Q** X4
-  **R** X4



STEP 30

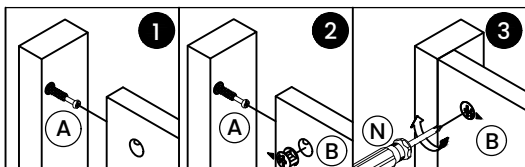
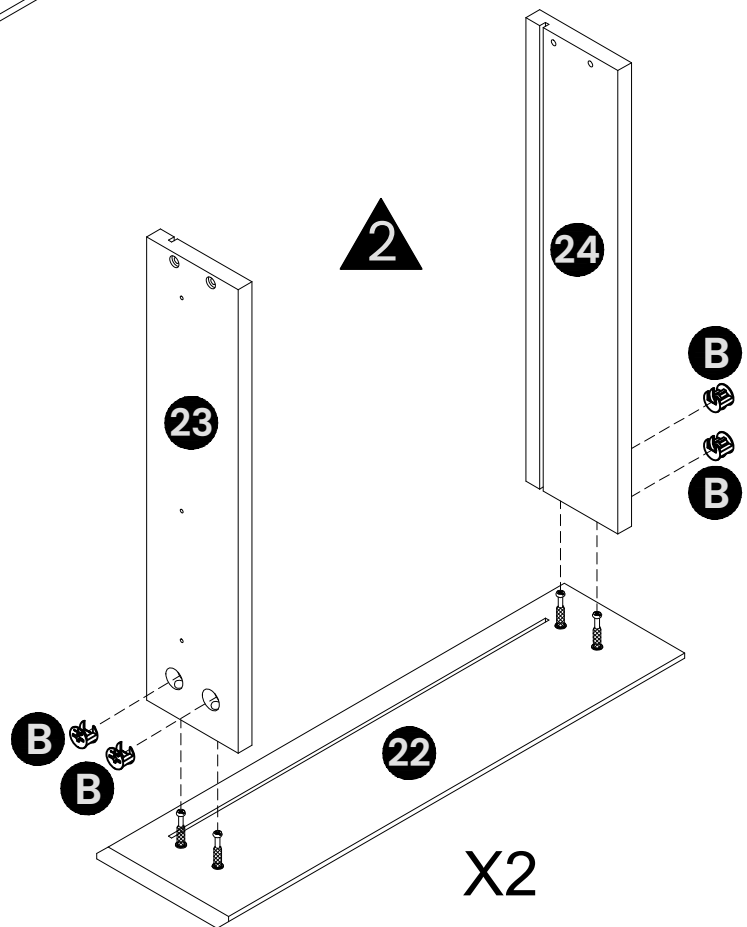
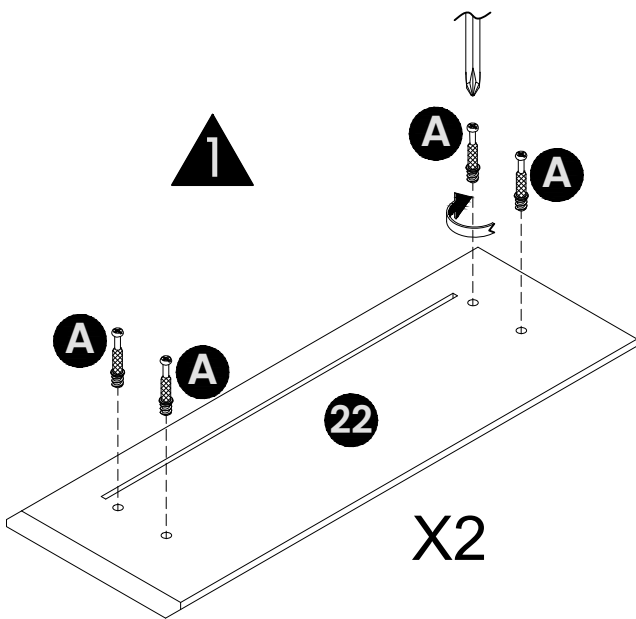
-  **P** X4
-  **Q** X4
-  **R** X4



STEP 31

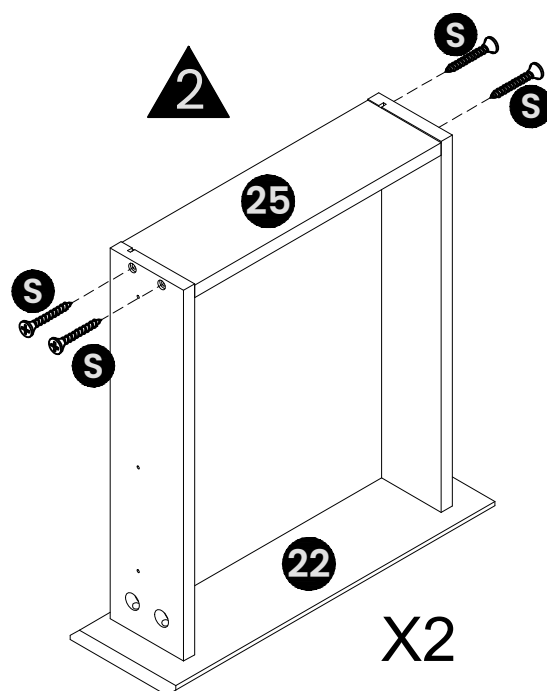
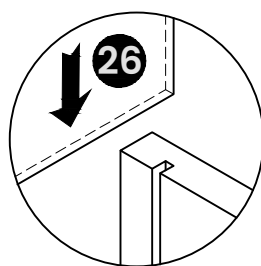
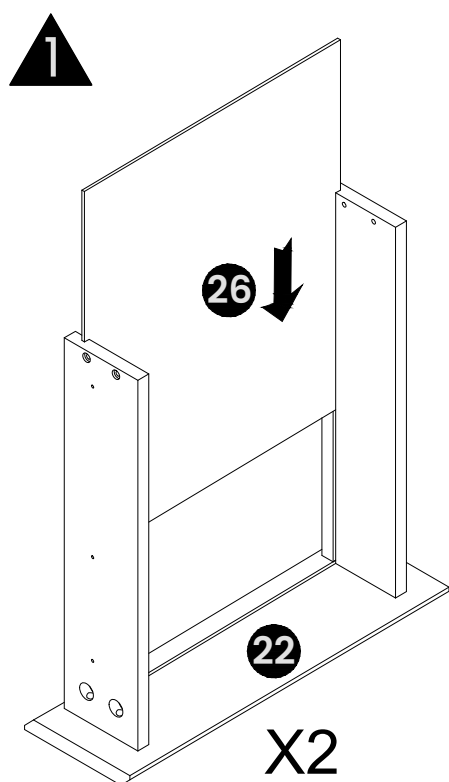
 **A** X8

 **B** X8



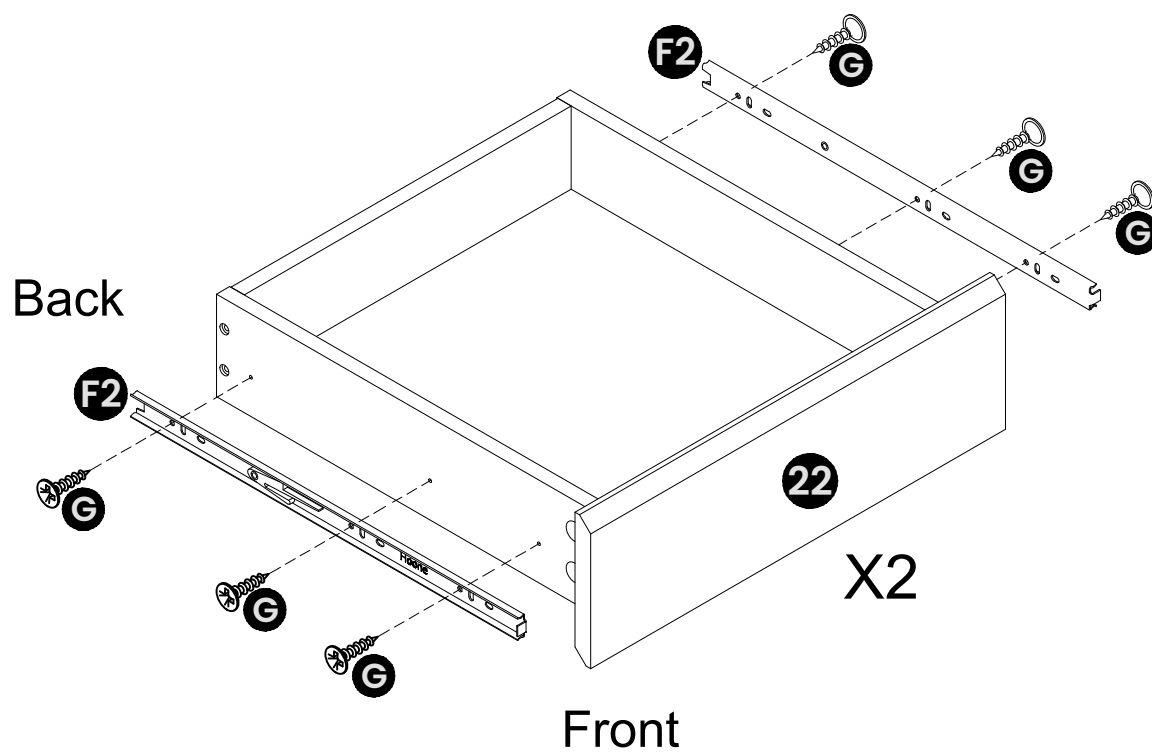
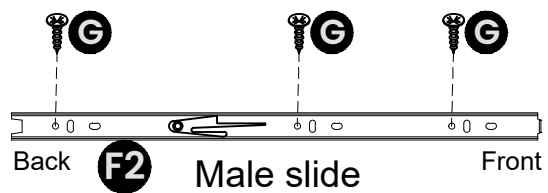
STEP 32

 **S** X8



STEP 33

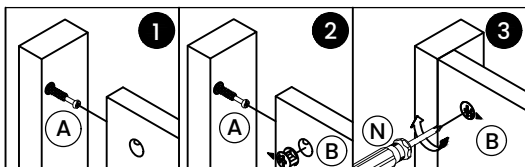
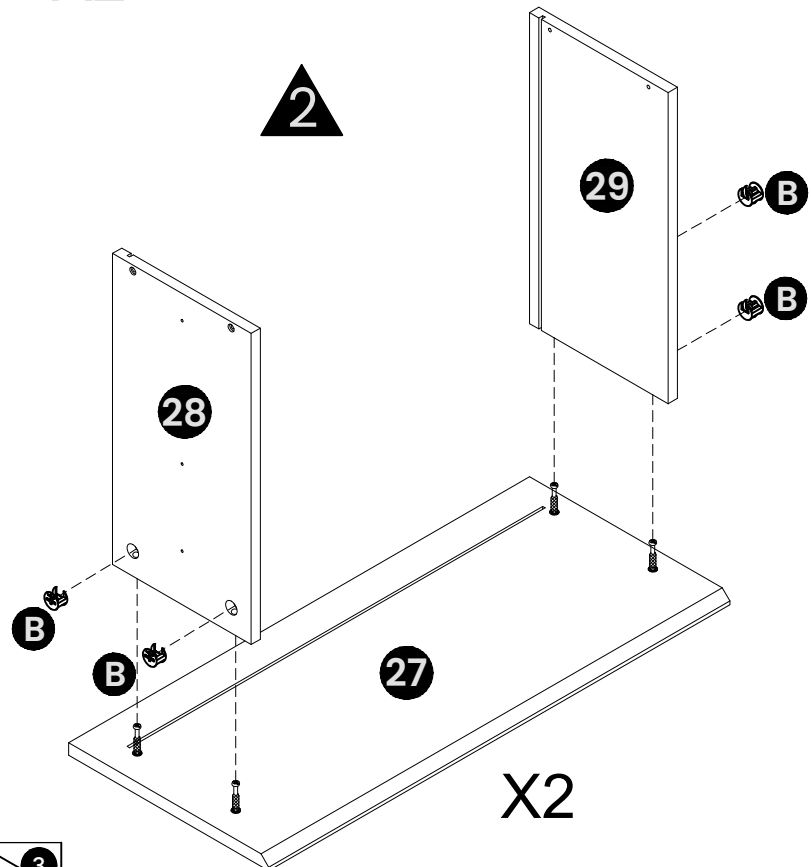
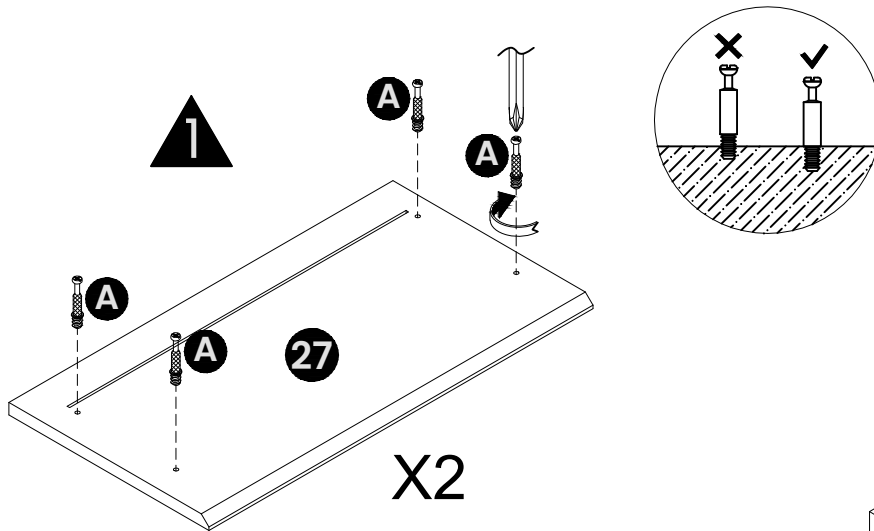
 **G** X12



STEP 34

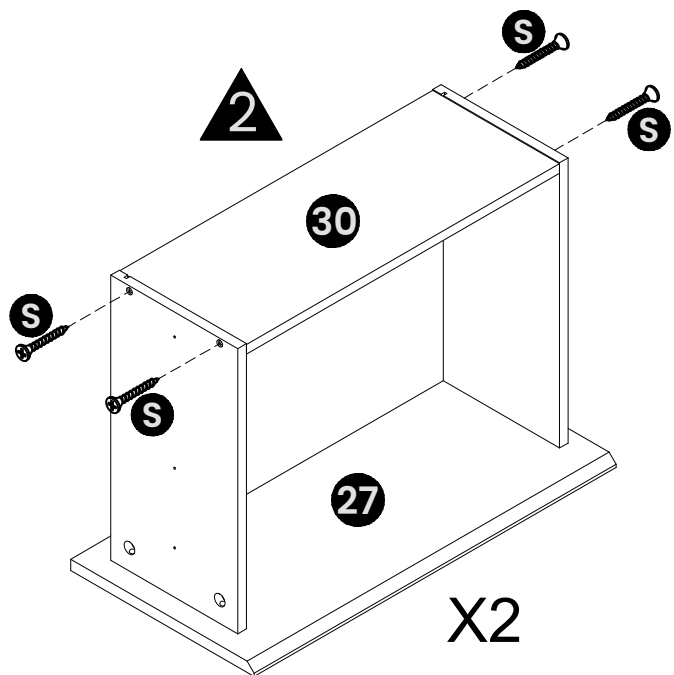
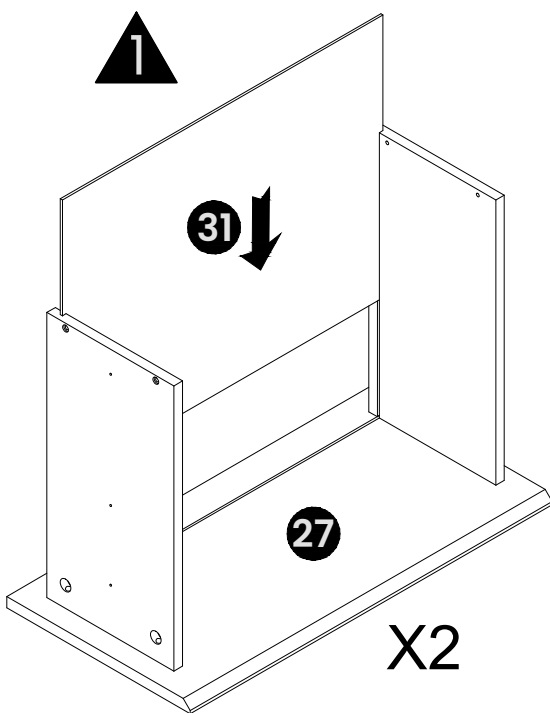
 **A** X8

 **B** X8



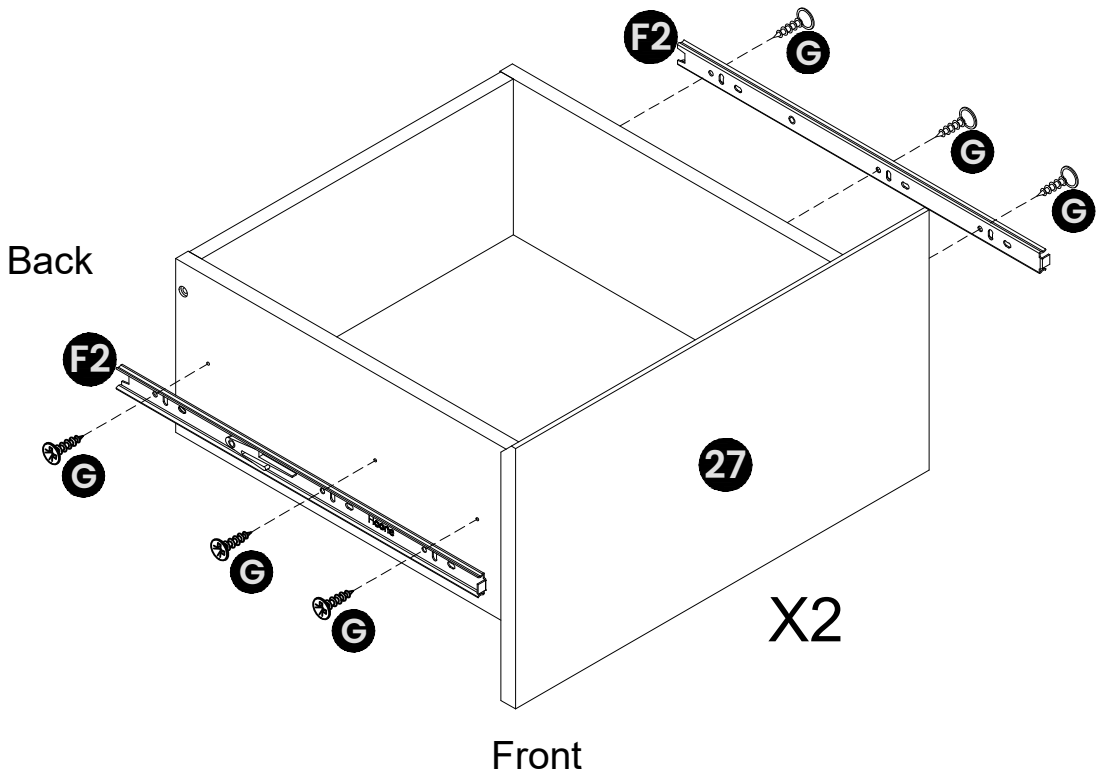
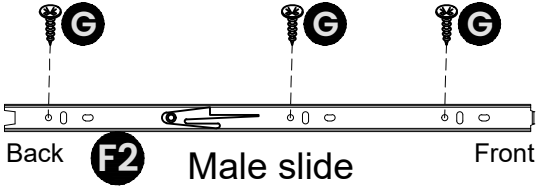
STEP 35

 S X8



STEP 36

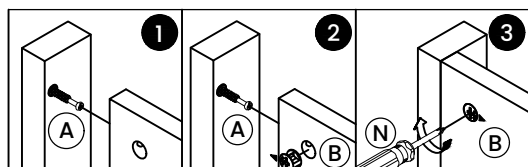
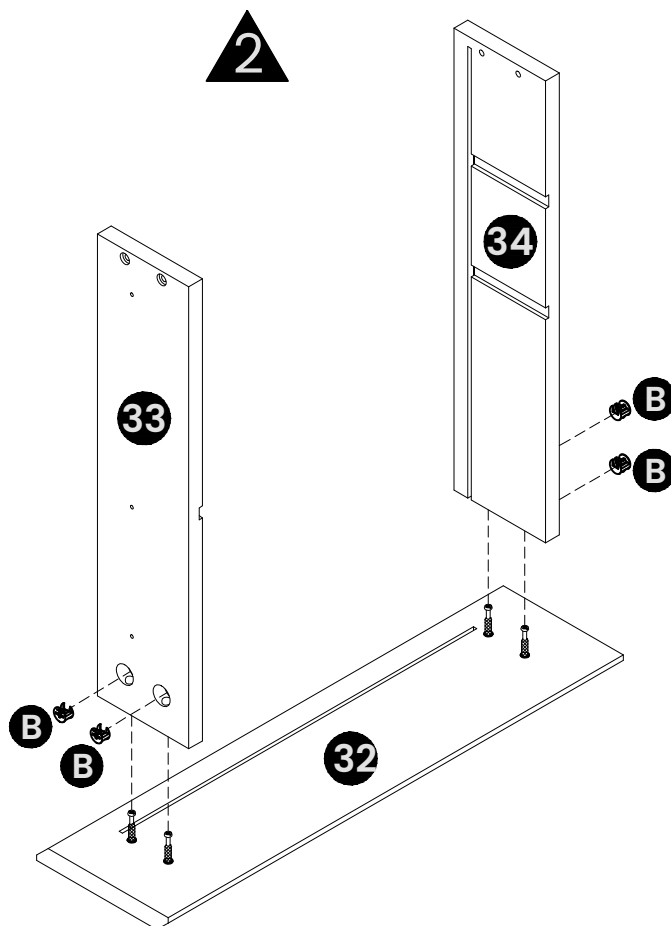
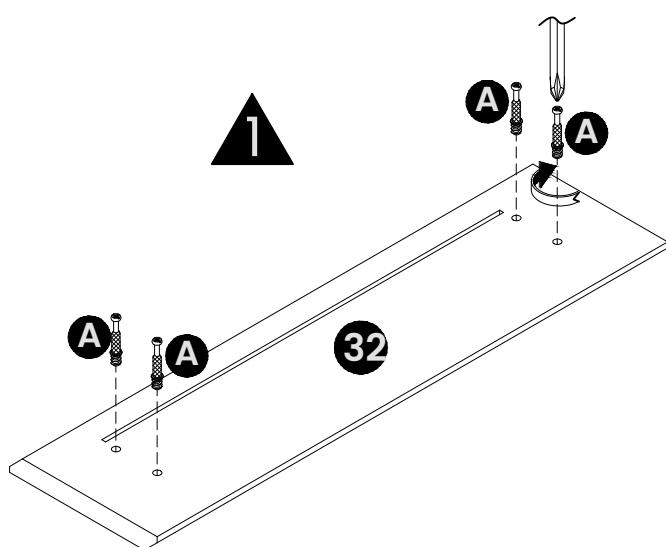
 **G** X12



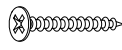
STEP 37

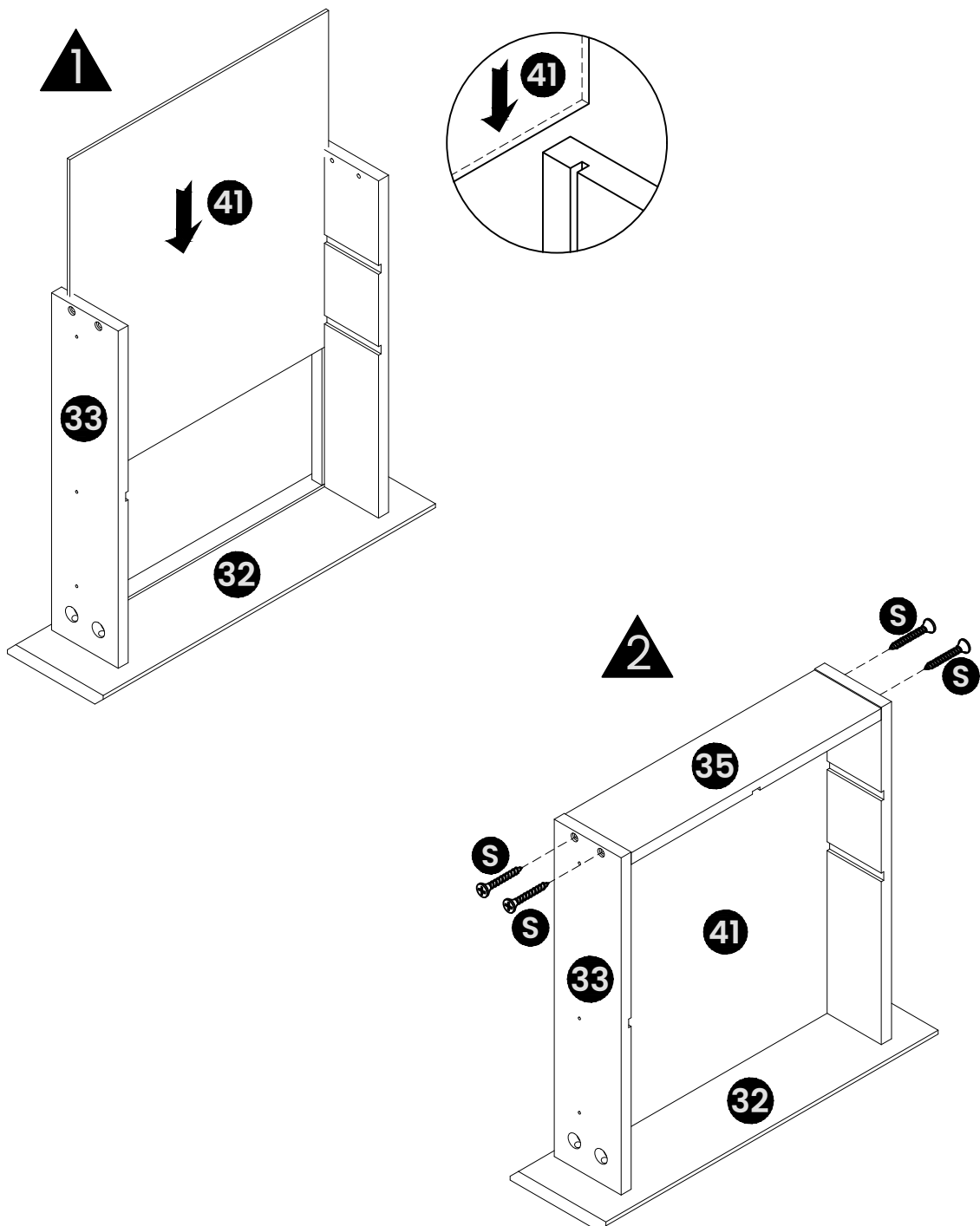
 **A** X4

 **B** X4

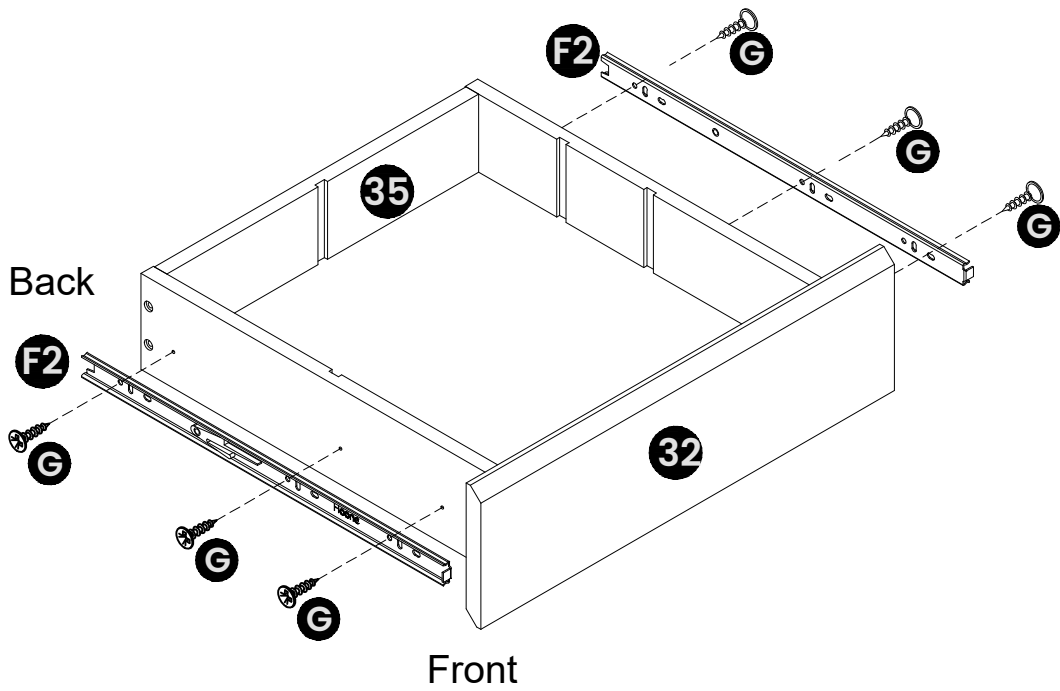
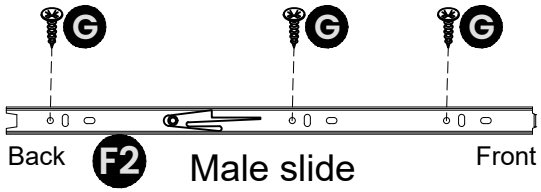


STEP 38

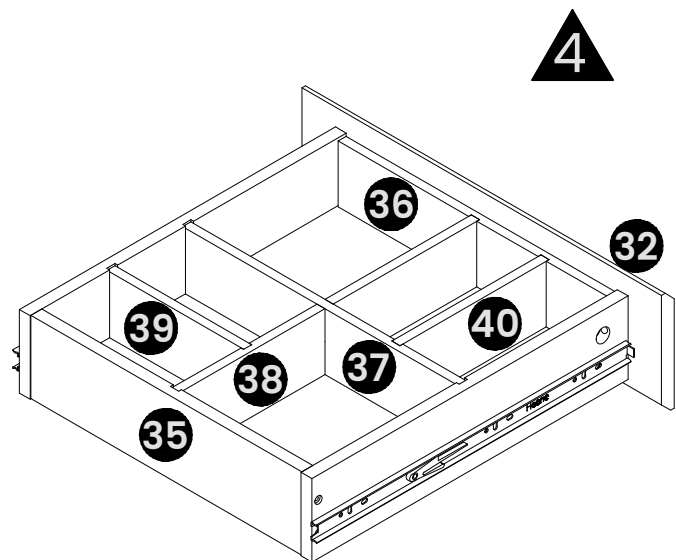
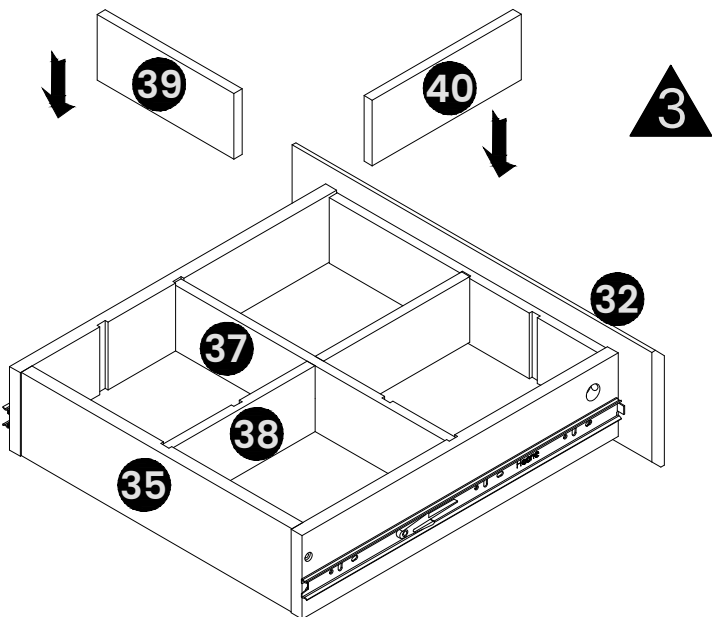
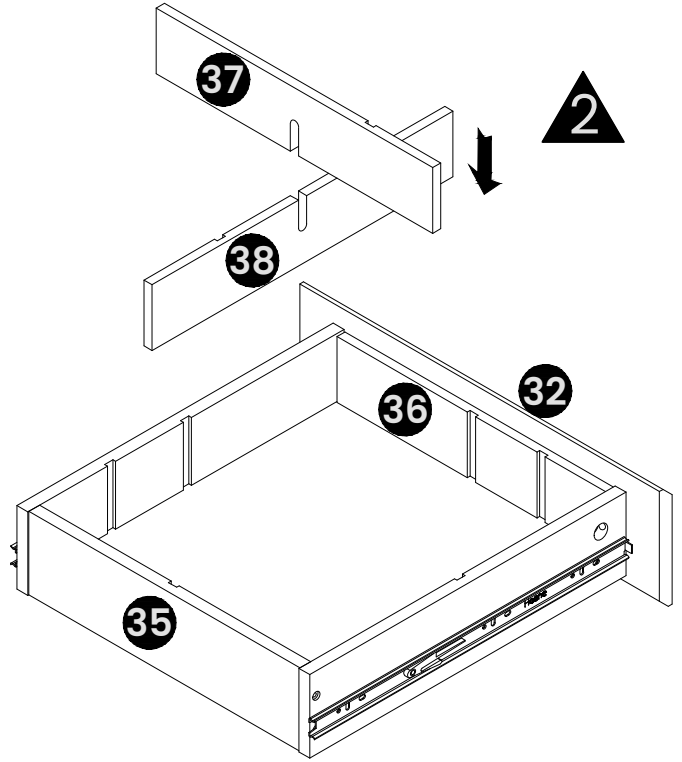
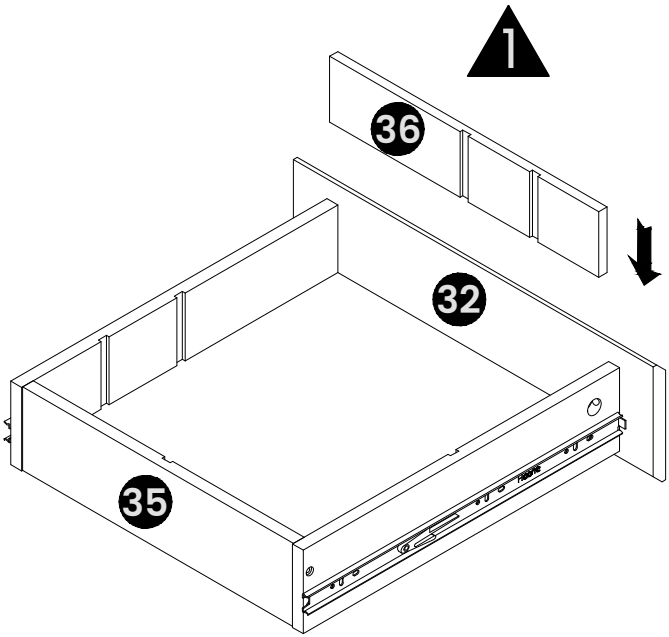
 **S** X4



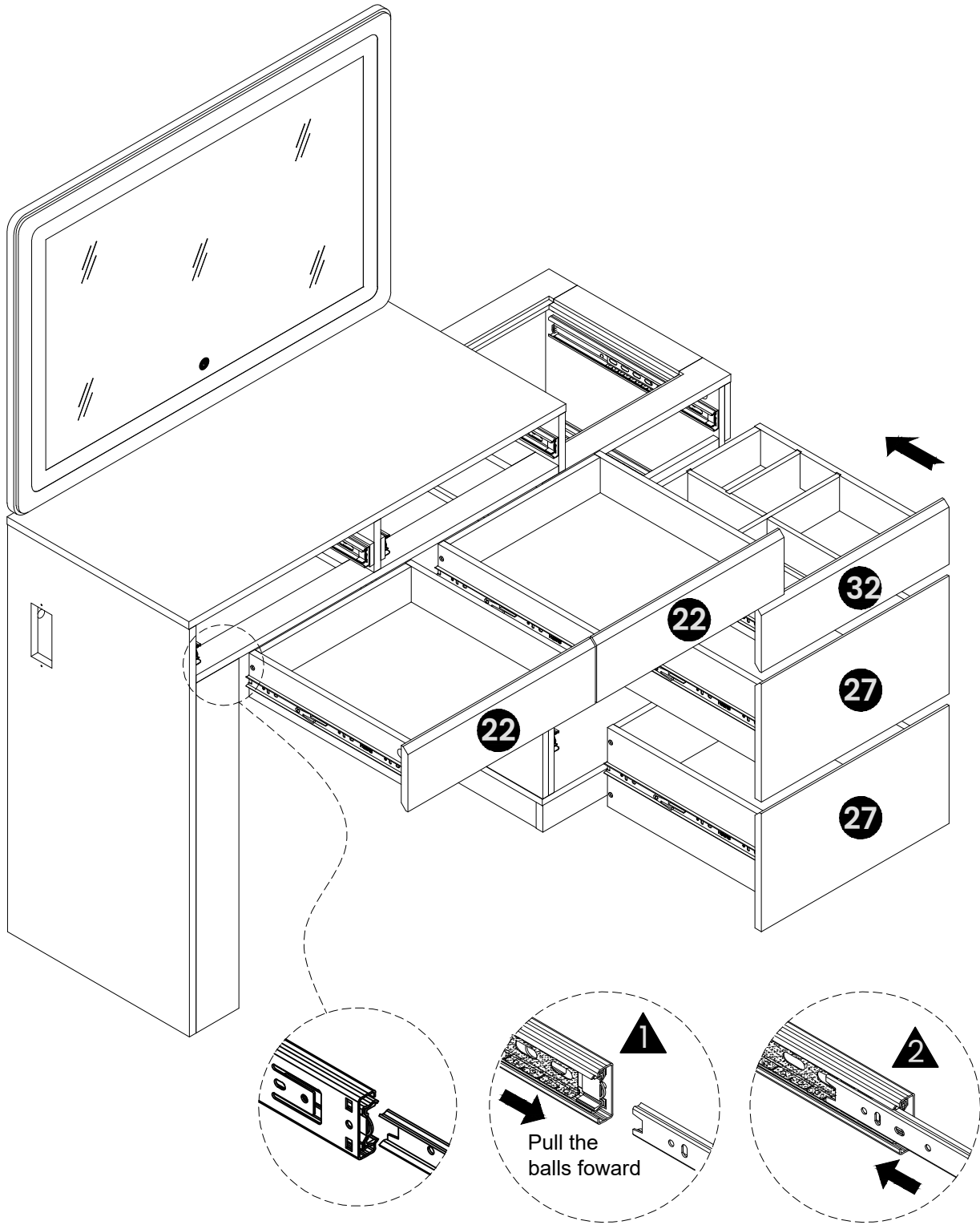
STEP 39





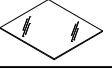
STEP 40

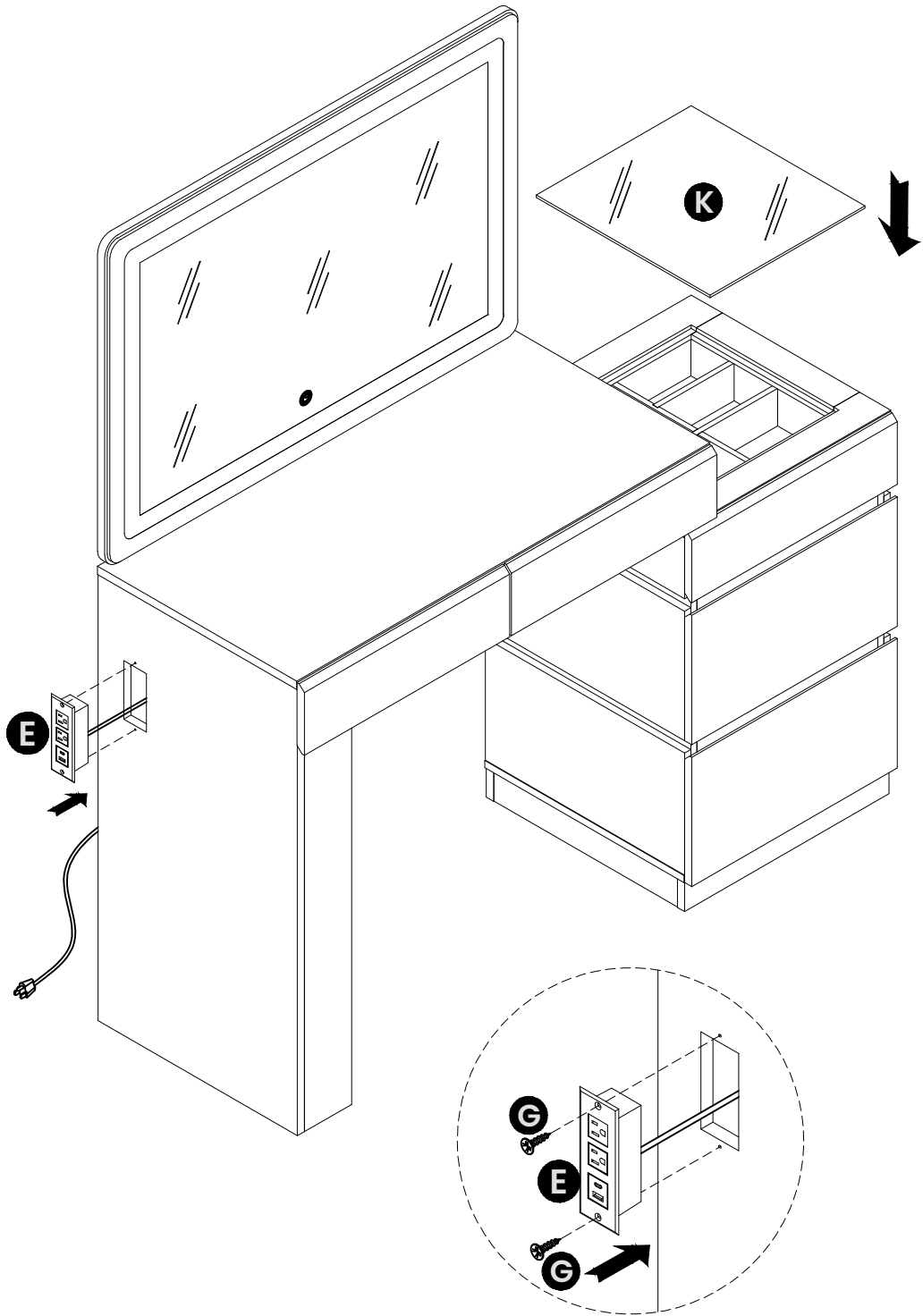


STEP 41

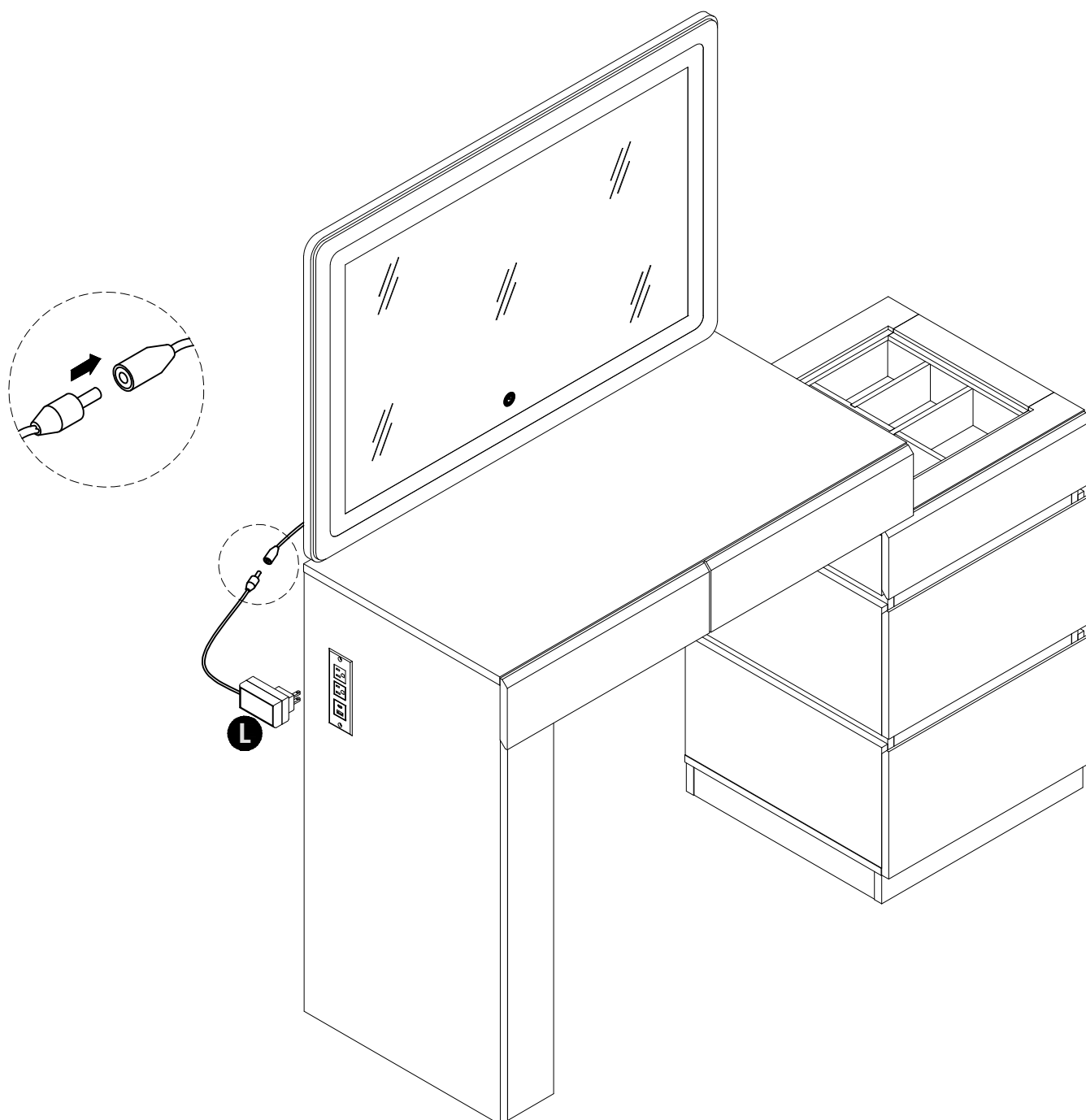


STEP 42


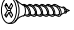


-  **G** X2
-  **E** X1
-  **K** X1

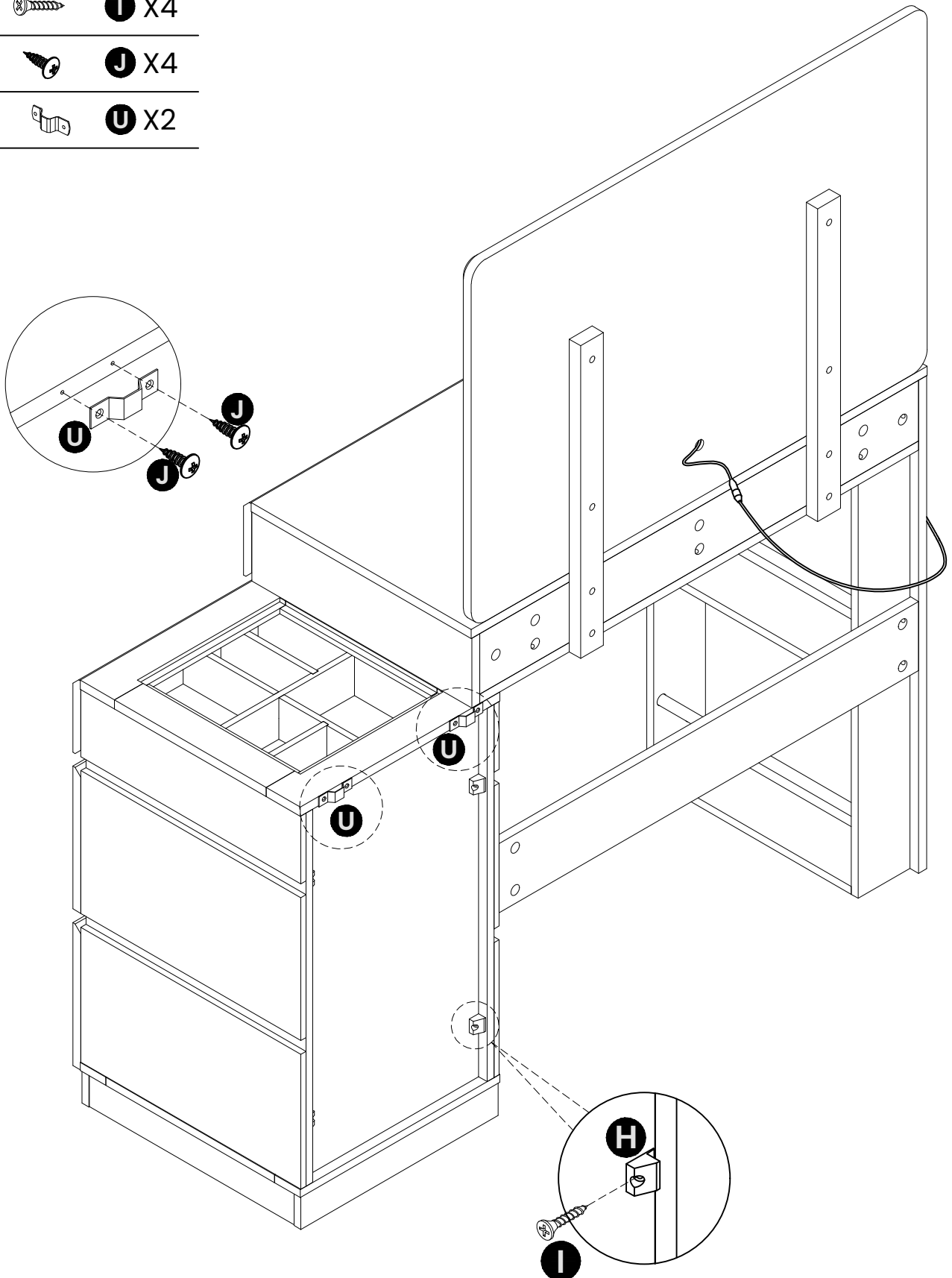


STEP 43



STEP 44

-  **H** X4
-  **I** X4
-  **J** X4
-  **U** X2



STEP 45

EN: WARNING



In order to prevent overturning this product must be used with the wall attachment device provided.

DE: WARNUNG

Um ein Umkippen zu verhindern, muss dieses Produkt mit der mitgelieferten Wandmontagevorrichtung verwendet werden.

FR: AVERTISSEMENT

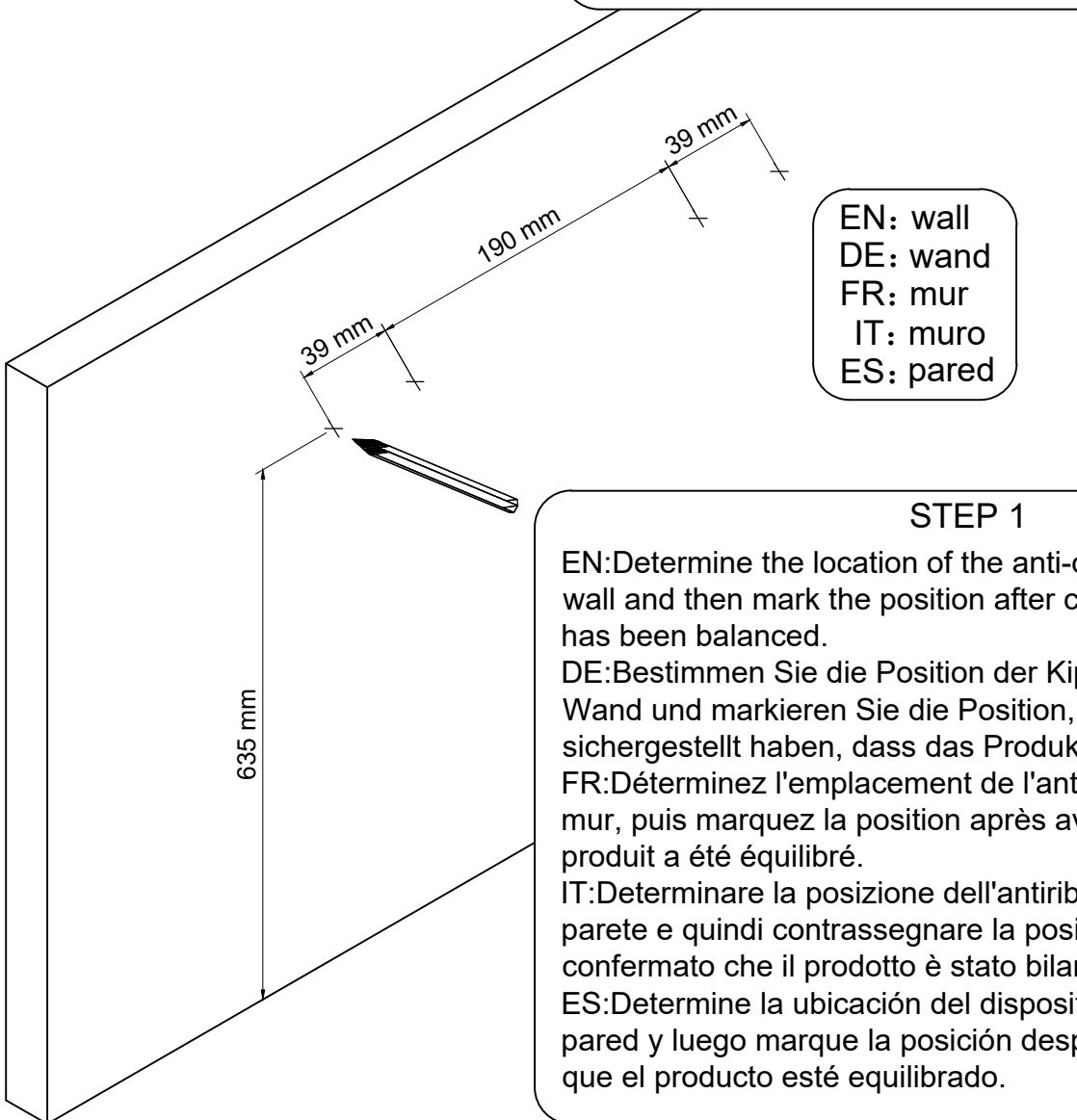
Pour éviter tout risque de basculement, ce produit doit être utilisé avec les fixations murales fournies.

IT: ATTENZIONE

Per evitare il ribaltamento, questo prodotto deve essere utilizzato con i fissaggi a parete forniti.

ES: ADVERTENCIA

Para evitar vuelcos, este producto debe utilizarse con las fijaciones de pared suministradas.



EN: wall
 DE: wand
 FR: mur
 IT: muro
 ES: pared

STEP 1

EN:Determine the location of the anti-overturning on the wall and then mark the position after confirming the product has been balanced.

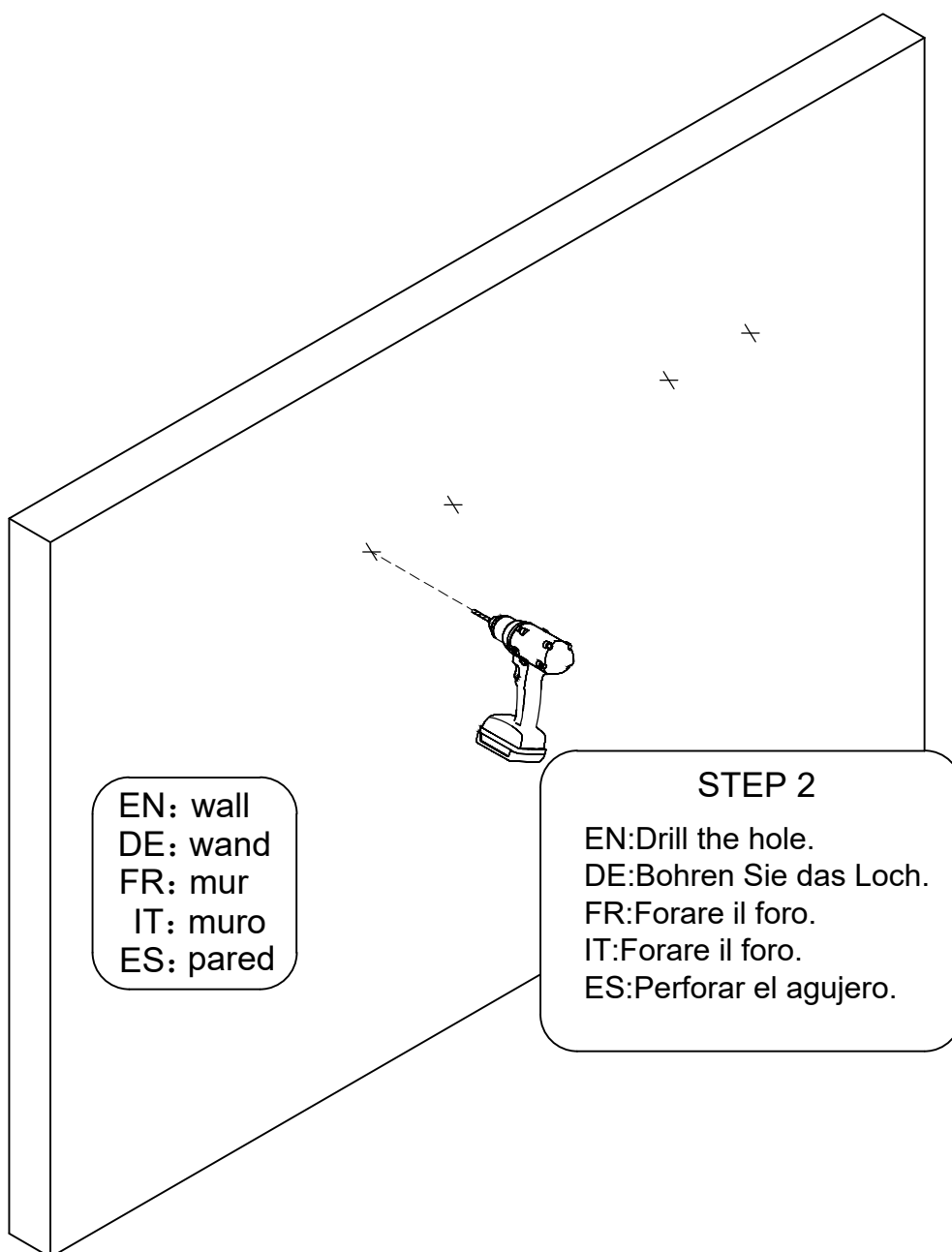
DE:Bestimmen Sie die Position der Kippsicherung an der Wand und markieren Sie die Position, nachdem Sie sichergestellt haben, dass das Produkt ausbalanciert ist.

FR:Déterminez l'emplacement de l'anti-renversement sur le mur, puis marquez la position après avoir confirmé que le produit a été équilibré.

IT:Determinare la posizione dell'antiribaltamento sulla parete e quindi contrassegnare la posizione dopo aver confermato che il prodotto è stato bilanciato.

ES:Determine la ubicación del dispositivo antivuelco en la pared y luego marque la posición después de confirmar que el producto esté equilibrado.

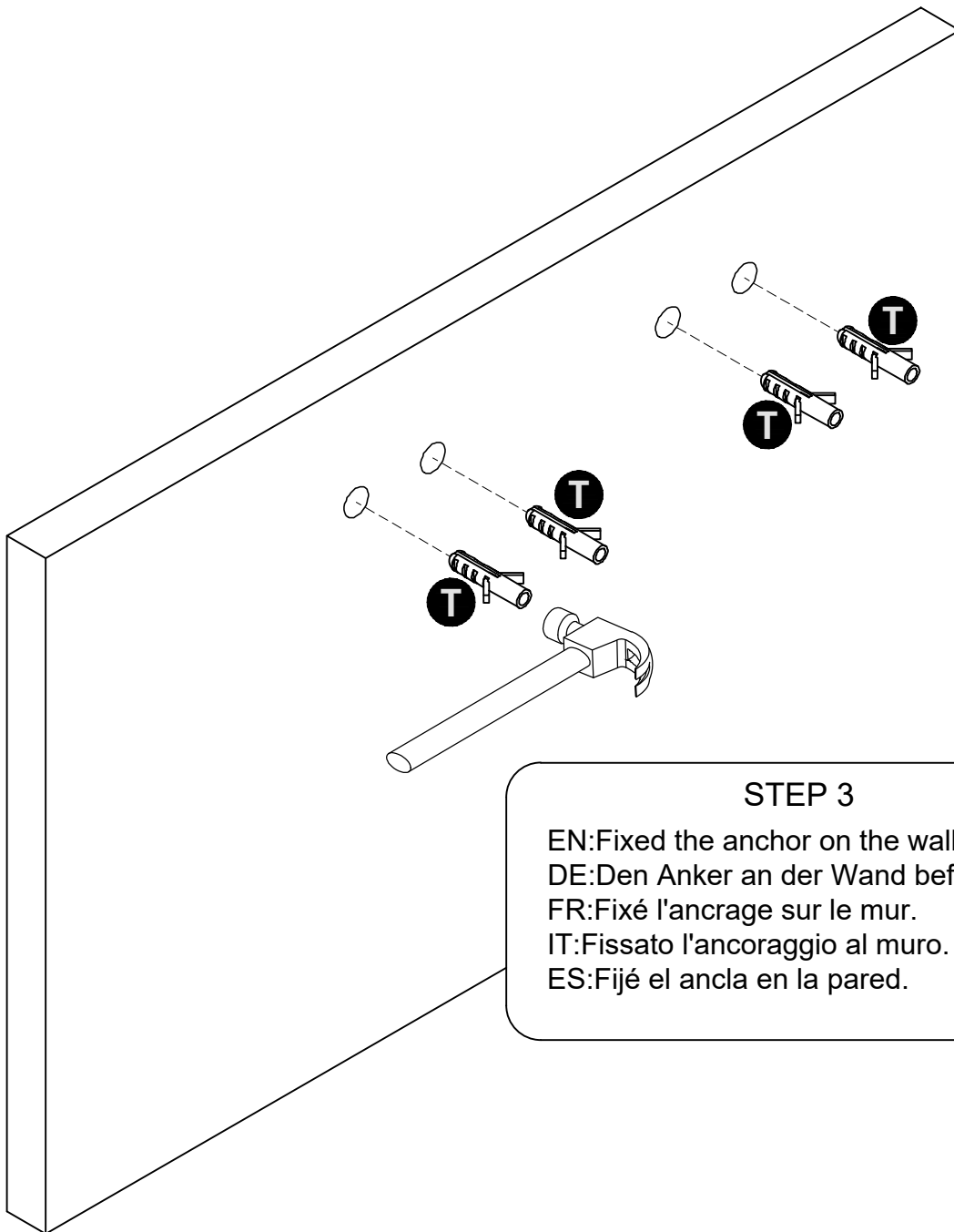
STEP 46



STEP 47



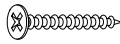
T X4



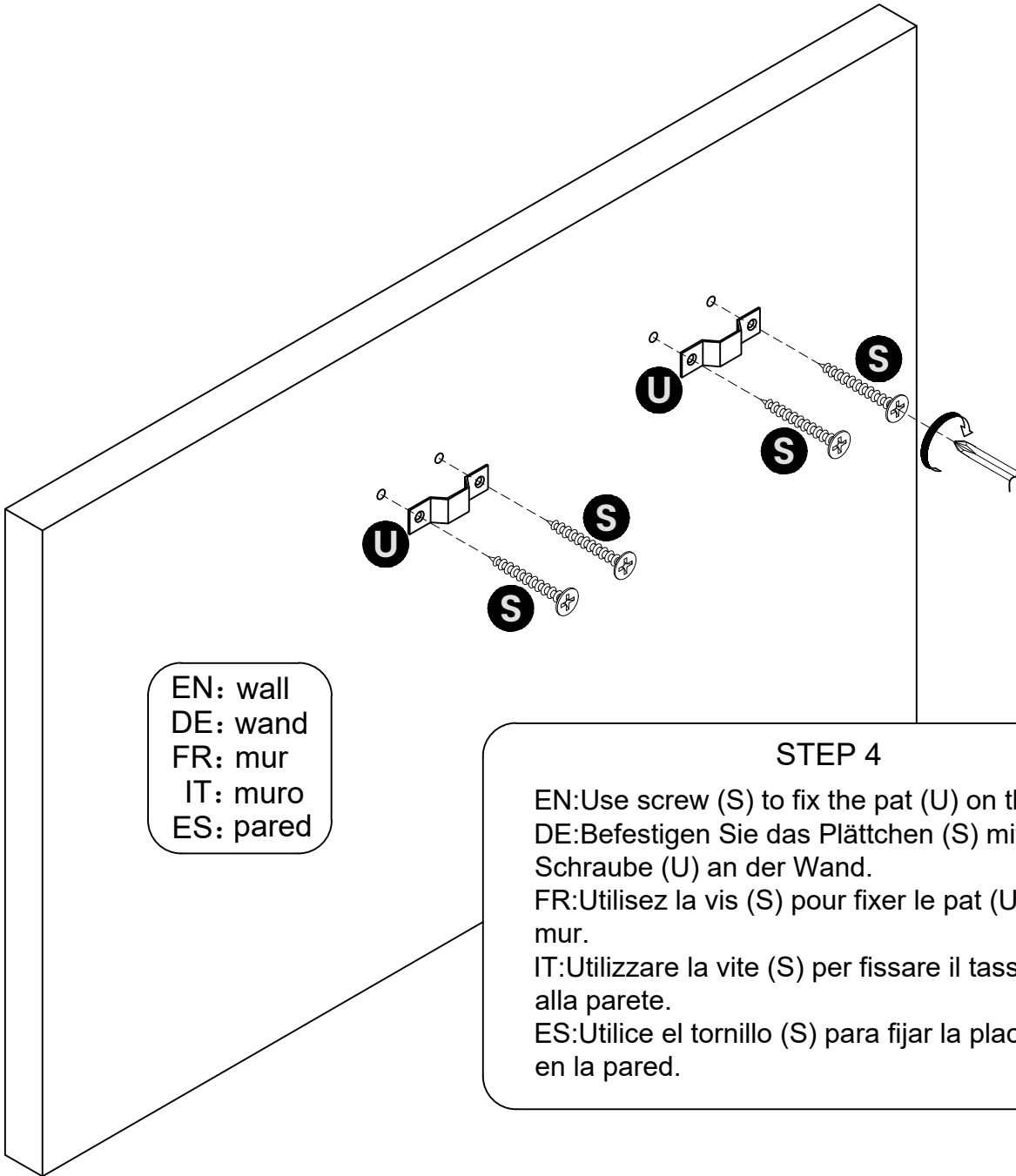
EN: wall
 DE: wand
 FR: mur
 IT: muro
 ES: pared

STEP 3
 EN: Fixed the anchor on the wall.
 DE: Den Anker an der Wand befestigen.
 FR: Fixé l'ancrage sur le mur.
 IT: Fissato l'ancoraggio al muro.
 ES: Fijé el ancla en la pared.

STEP 48

 **S** X4

 **U** X2



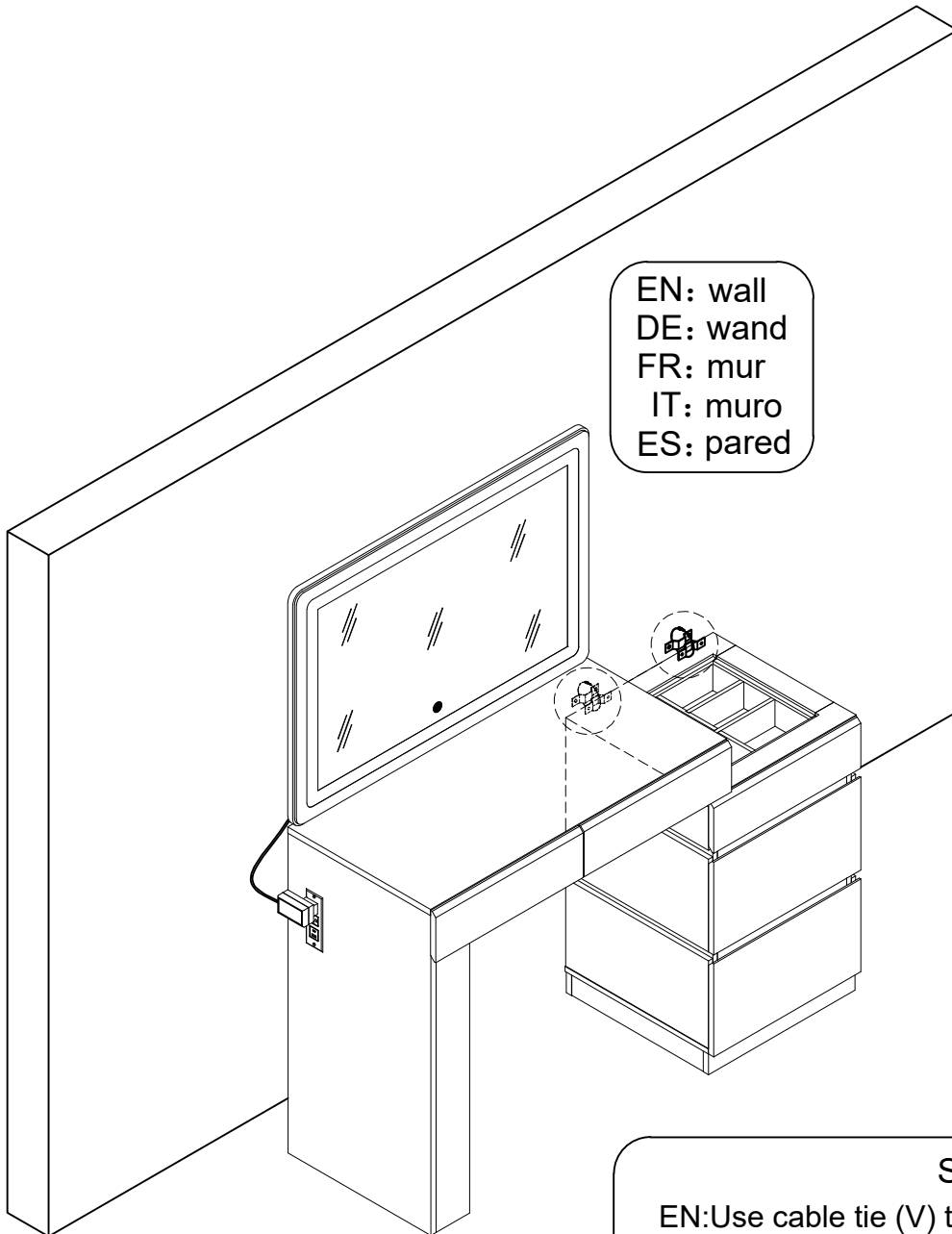
EN: wall
 DE: wand
 FR: mur
 IT: muro
 ES: pared

STEP 4

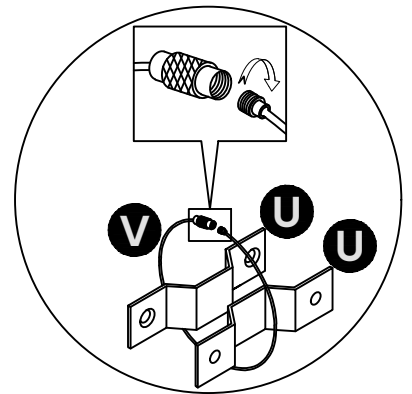
EN: Use screw (S) to fix the pat (U) on the wall.
 DE: Befestigen Sie das Plättchen (S) mit der Schraube (U) an der Wand.
 FR: Utilisez la vis (S) pour fixer le pat (U) sur le mur.
 IT: Utilizzare la vite (S) per fissare il tassello (U) alla parete.
 ES: Utilice el tornillo (S) para fijar la placa (U) en la pared.

STEP 49

 **V** X2



EN: wall
 DE: wand
 FR: mur
 IT: muro
 ES: pared



STEP 5
 EN: Use cable tie (V) to fix (U) and (U).
 DE: Befestigen Sie (V) und (U) mit Kabelbinder (U).
 FR: Utilisez le serre-câble (V) pour fixer (U) et (U).
 IT: Utilizzare la fascetta (V) per fissare (U) e (U).
 ES: Utilice la brida (V) para fijar (U) y (U).

STEP 50

This vanity mirror has a smart LED Light (Cold, Natural, Warm) that can be adjusted in 3 colors, a short press to change the color and a long press to adjust the brightness.

