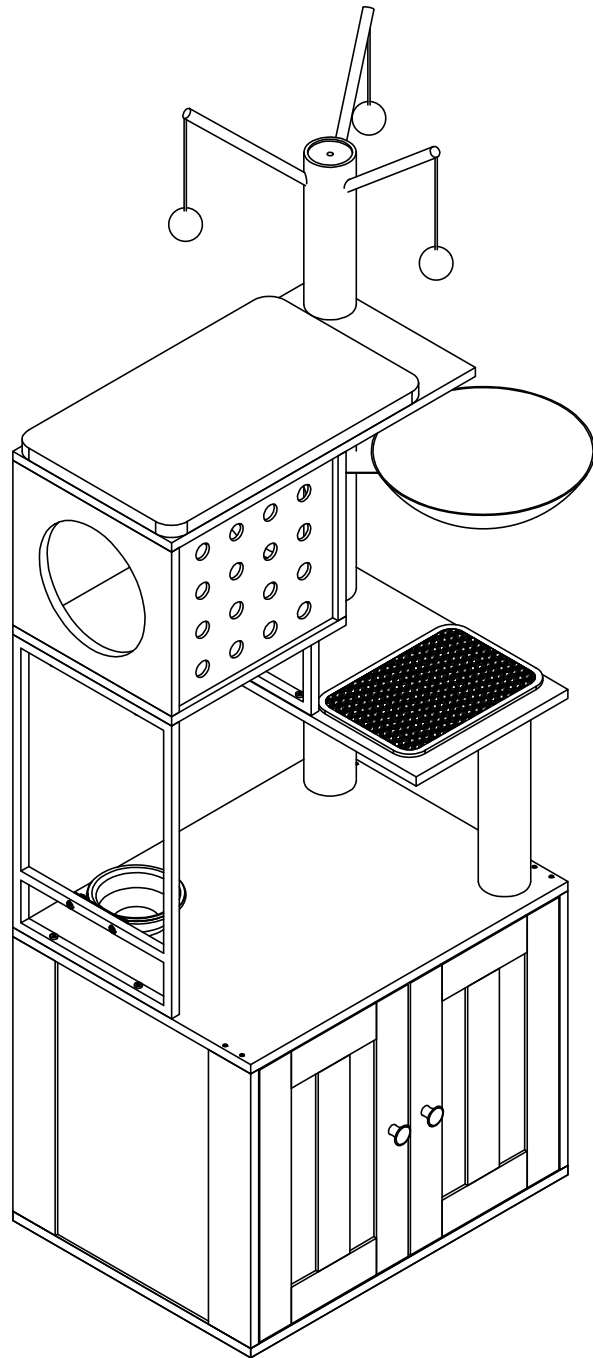
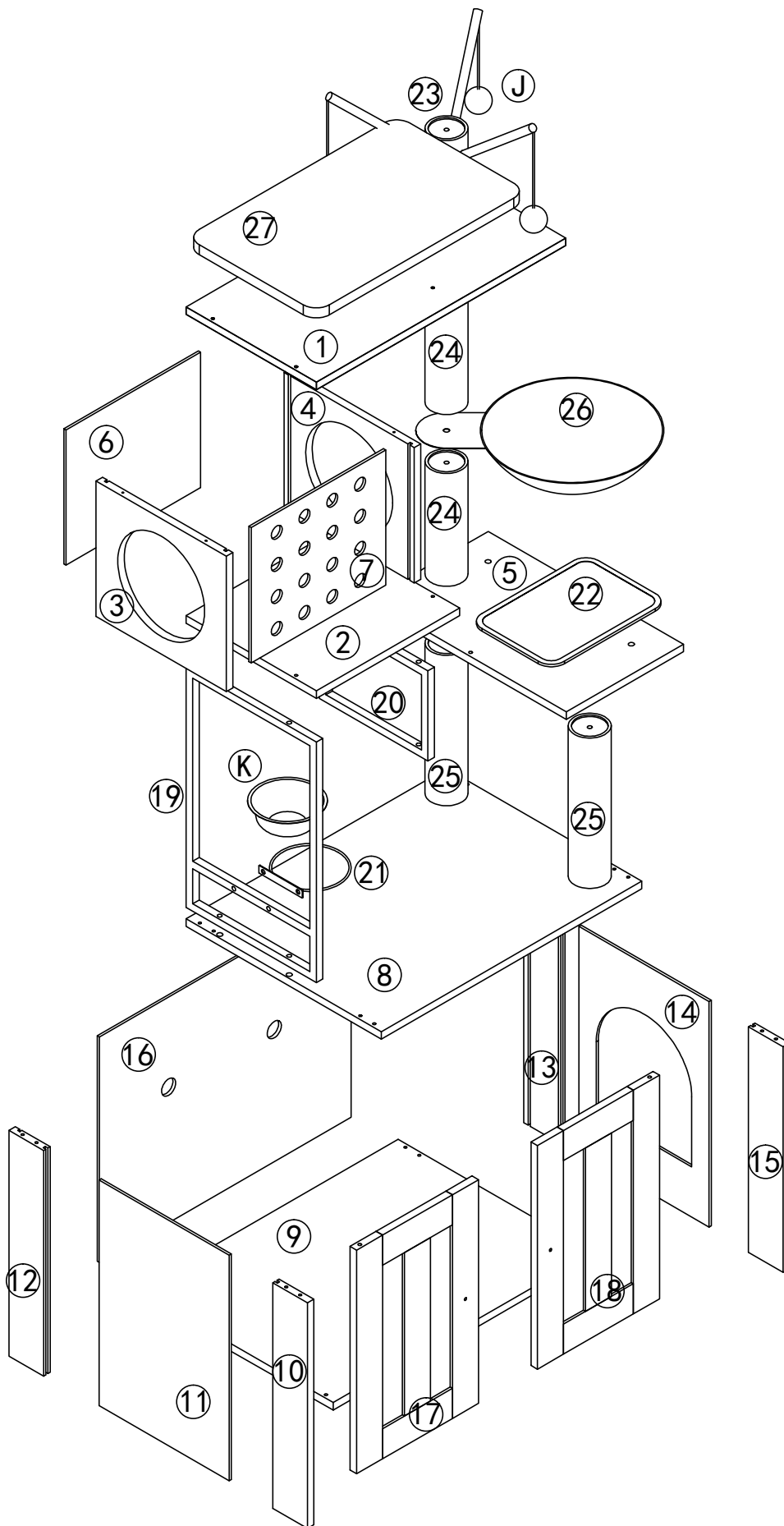





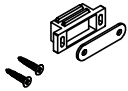



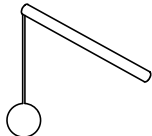

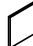



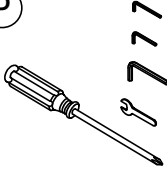


Installation & Assembly

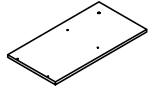
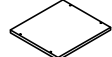


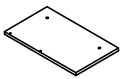
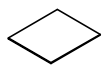

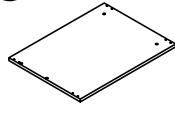
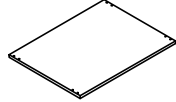
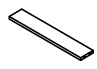
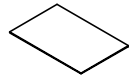
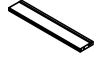







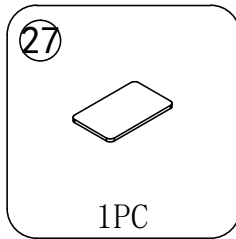
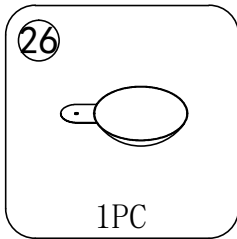
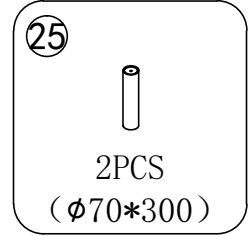
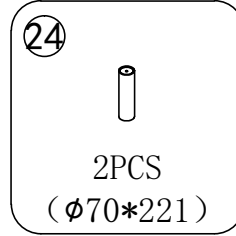
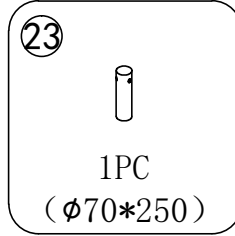
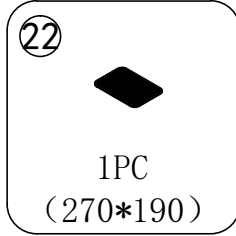
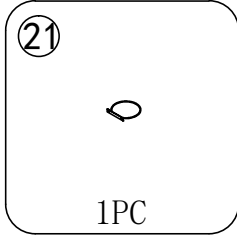
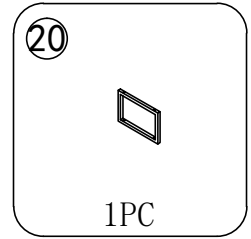
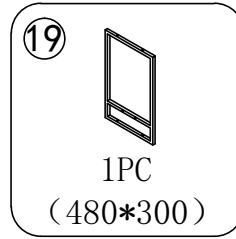
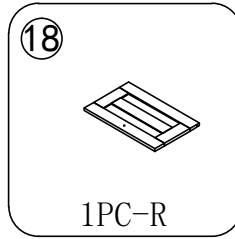
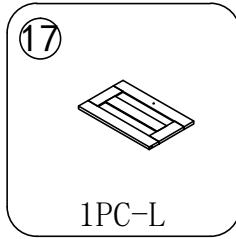
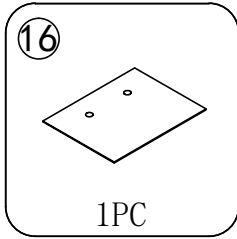
Hardware List

<p>(A)</p>  <p>24PCS (5*40)</p>	<p>(B)</p>  <p>3PCS (M8*50)</p>	<p>(C)</p>  <p>10PCS (M6*22)</p>	<p>(D)</p>  <p>3PCS (M8*50)</p>	<p>(E)</p>  <p>4PCS (M4*12)</p>
<p>(F)</p>  <p>2PCS (3*14)</p>	<p>(G)</p>  <p>4PCS</p>	<p>(H)</p>  <p>2PCS</p>	<p>(I)</p>  <p>2PCS</p>	<p>(J)</p>  <p>3PCS</p>
<p>(K)</p>  <p>1PC (ϕ140)</p>	<p>(L)</p>  <p>4PCS (40*40)</p>	<p>(M)</p>  <p>1PC (M4*25)</p>	<p>(N)</p>  <p>1PC (M4*40)</p>	<p>(O)</p>  <p>1PC</p>
<p>(P)</p>  <p>1PC</p>				

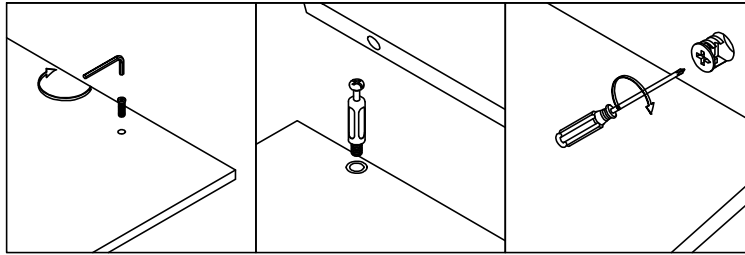
Panel List

<p>(1)</p>  <p>1PC</p>	<p>(2)</p>  <p>1PC</p>	<p>(3)</p>  <p>1PC</p>	<p>(4)</p>  <p>1PC</p>	<p>(5)</p>  <p>1PC</p>
<p>(6)</p>  <p>1PC</p>	<p>(7)</p>  <p>1PC</p>	<p>(8)</p>  <p>1PC</p>	<p>(9)</p>  <p>1PC</p>	<p>(10)</p>  <p>1PC</p>
<p>(11)</p>  <p>1PC</p>	<p>(12)</p>  <p>1PC</p>	<p>(13)</p>  <p>1PC</p>	<p>(14)</p>  <p>1PC</p>	<p>(15)</p>  <p>1PC</p>

Panel List

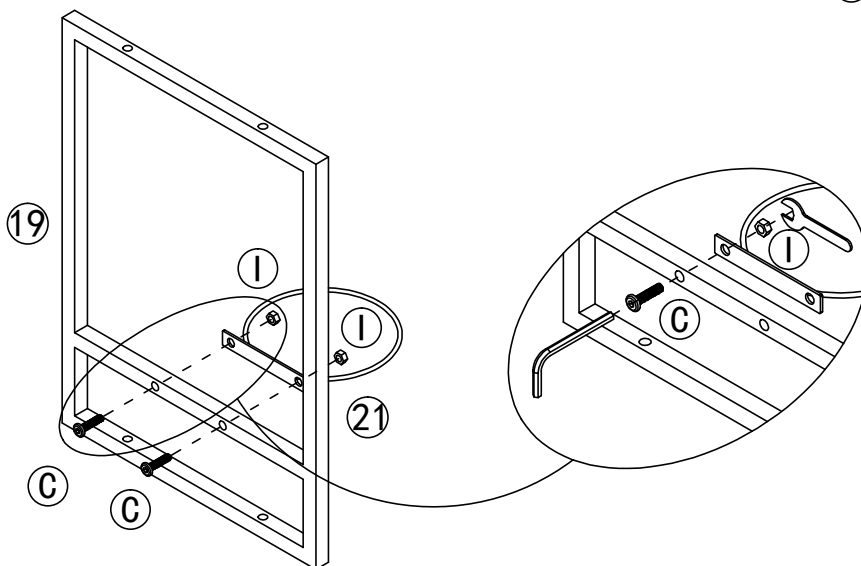
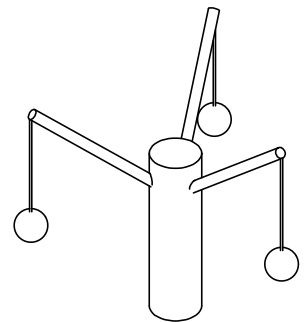
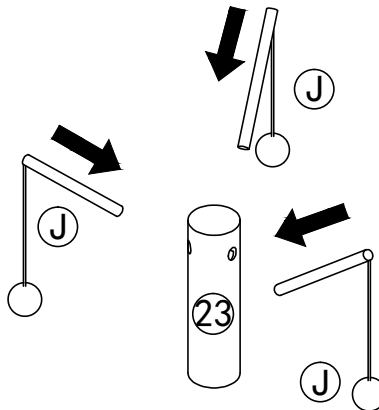
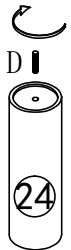
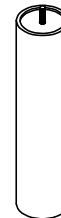
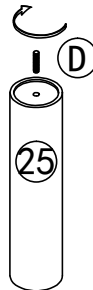
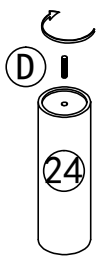
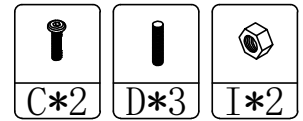


Assembling the unit with camlocks and wood dowels






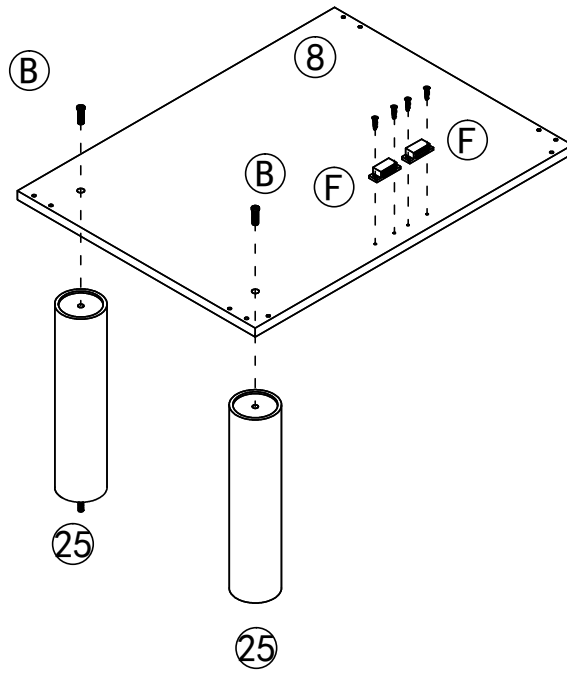
Assembly instructions

step 1




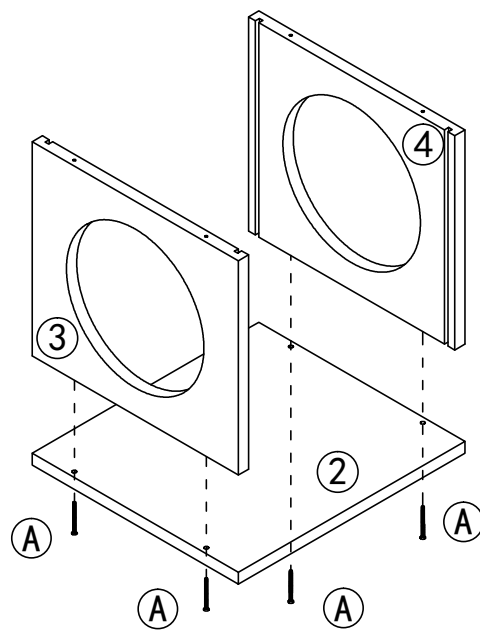
step 2

		
B*2	E*4	F*2

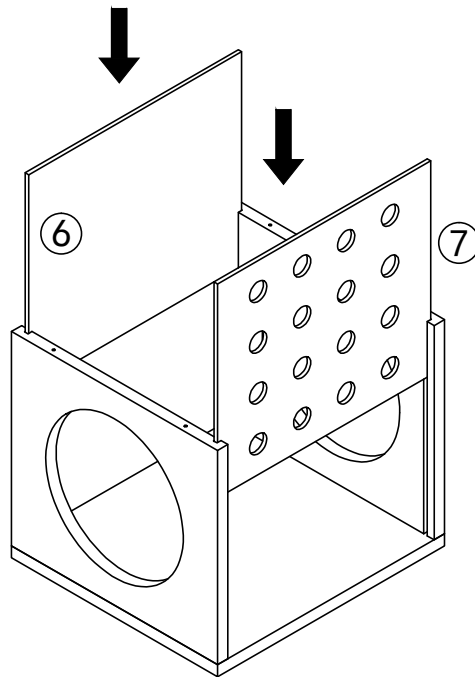


step 3

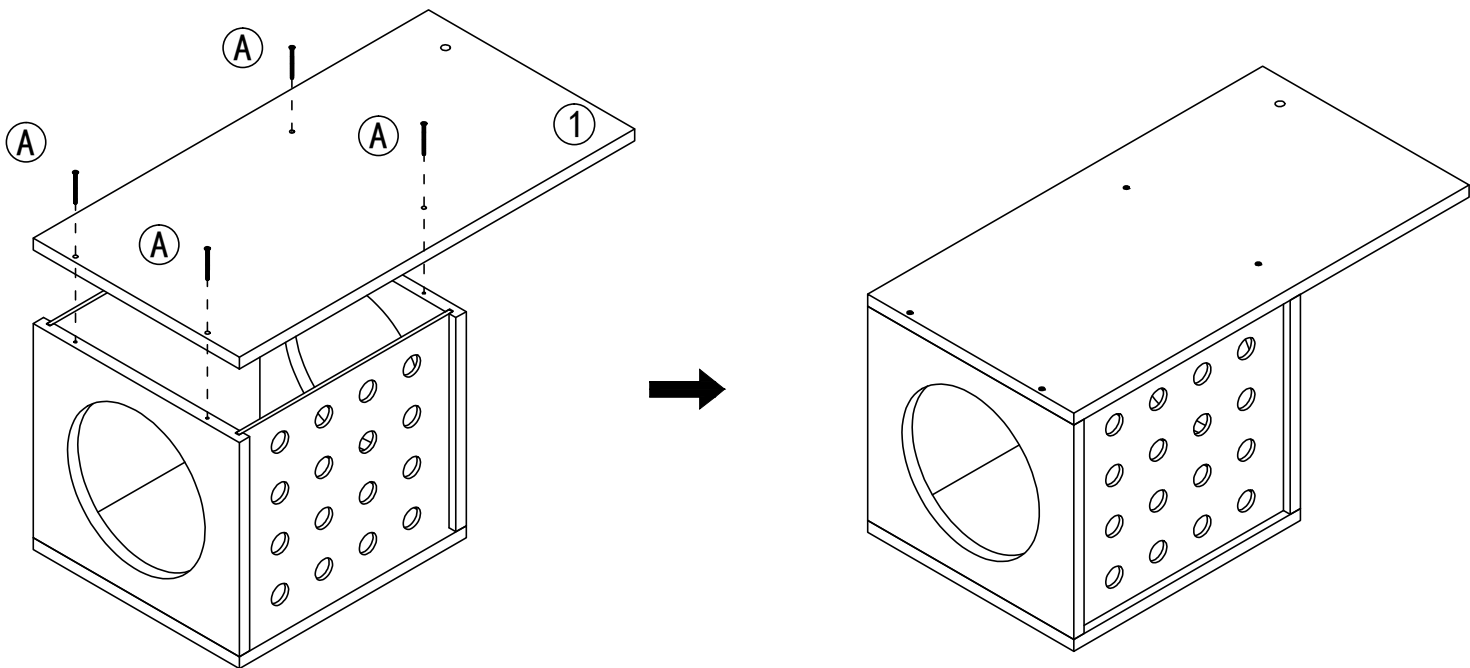
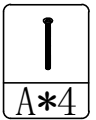

A*4



step 4

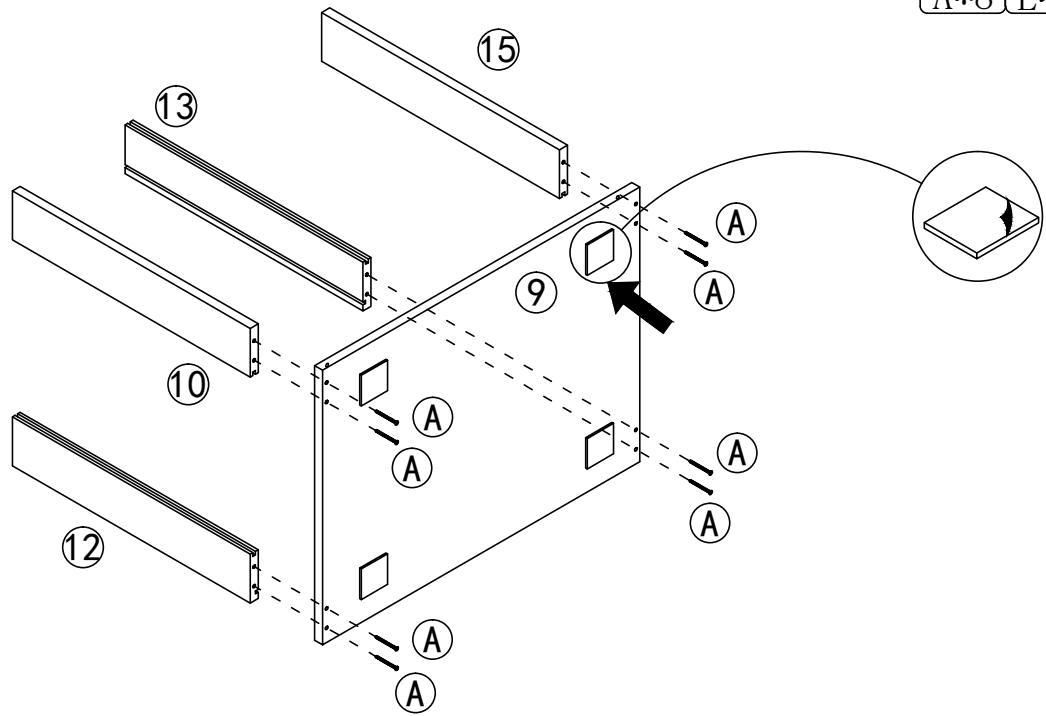


step 5

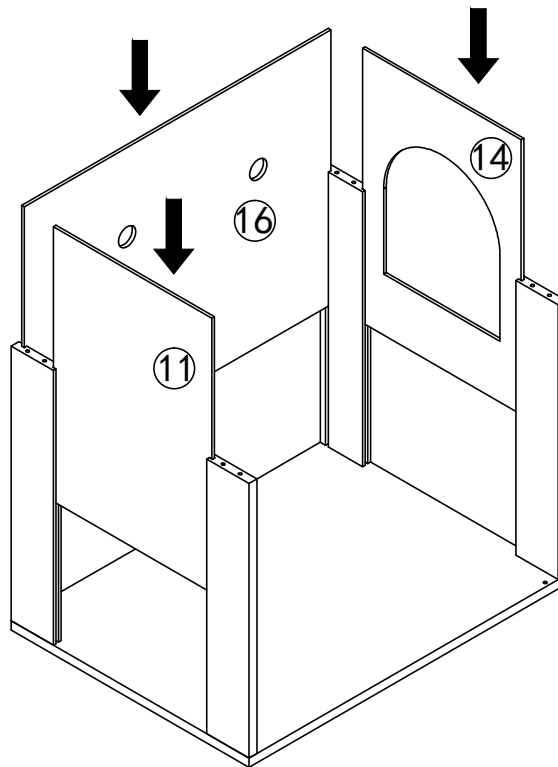


step 6

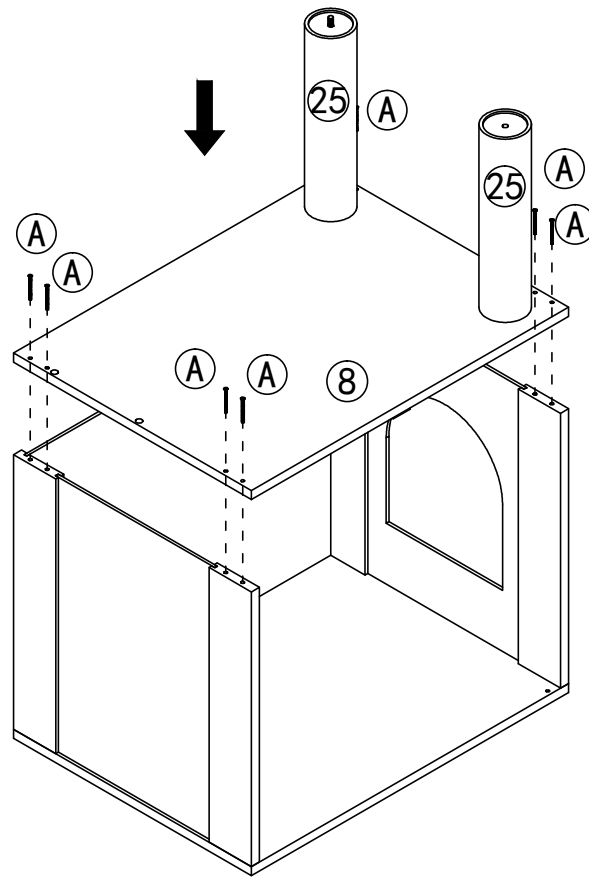
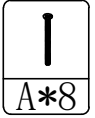
I	◊
A*8	L*4



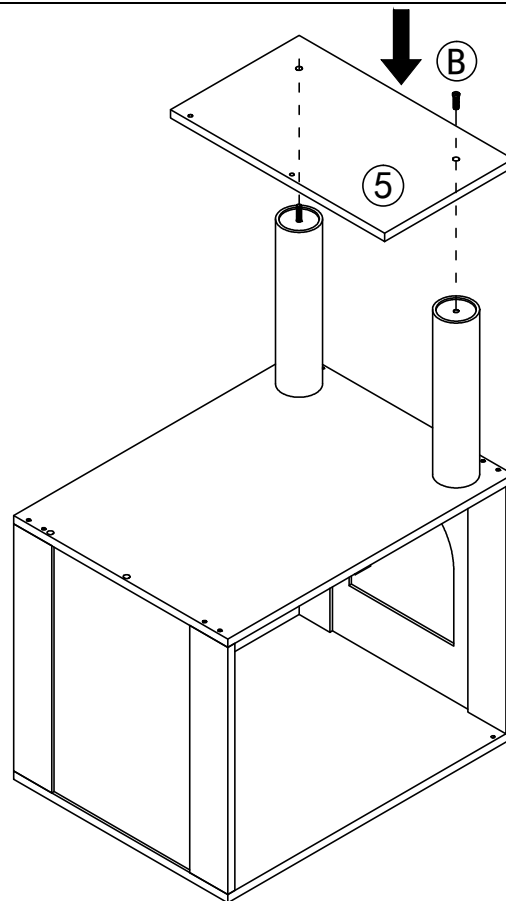
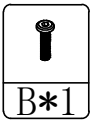
step 7



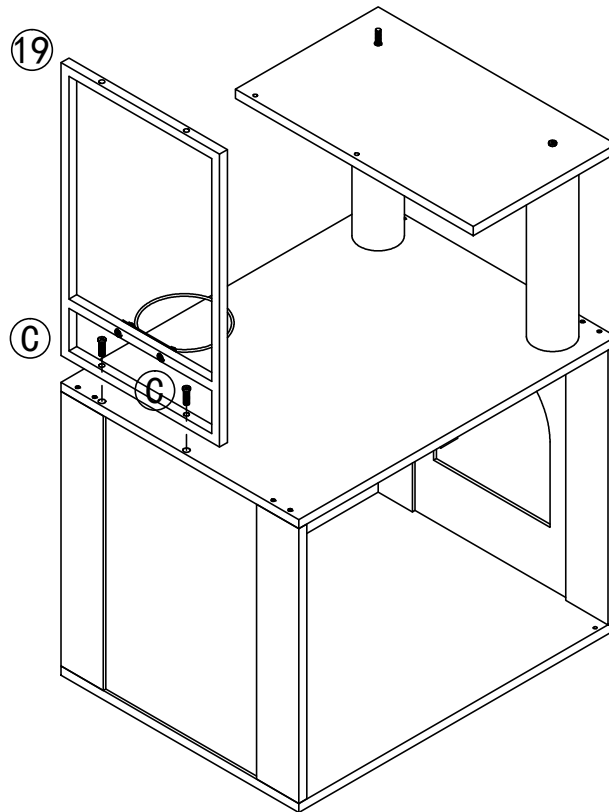
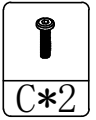
step 8



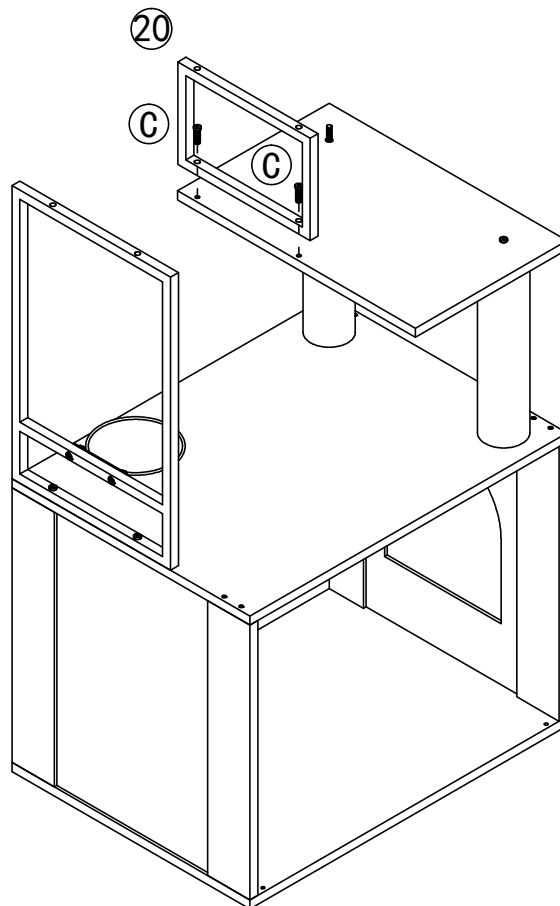
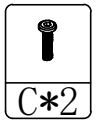
step 9



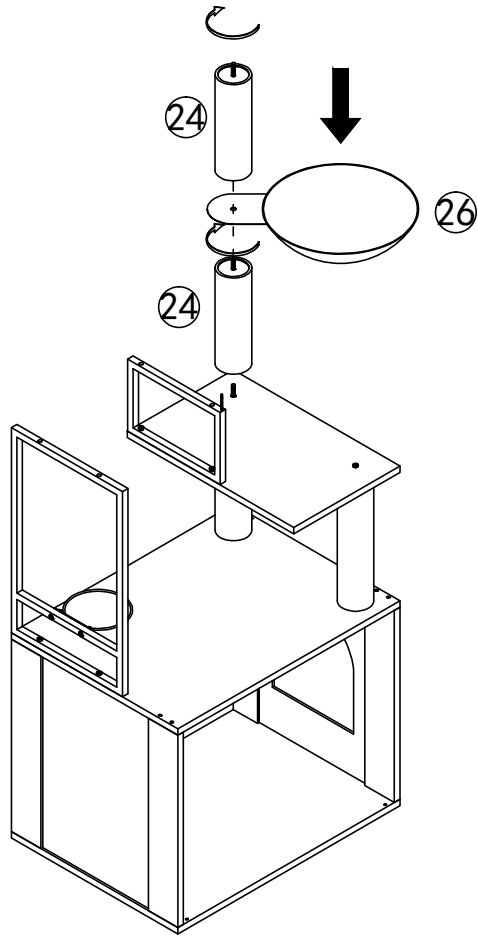
step 10



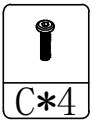
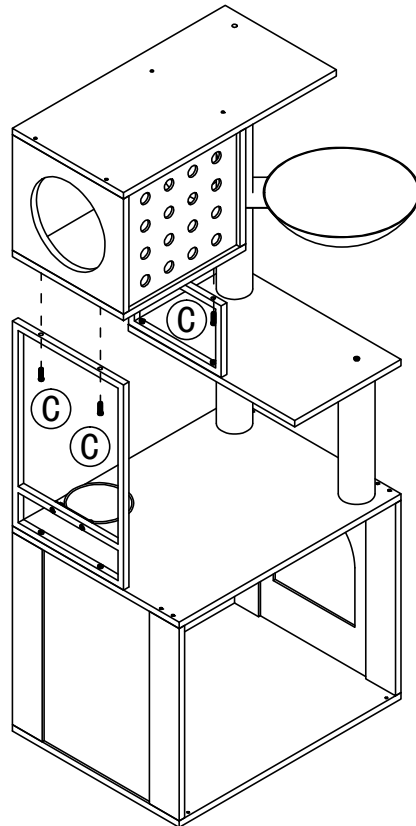
step 11






step 12

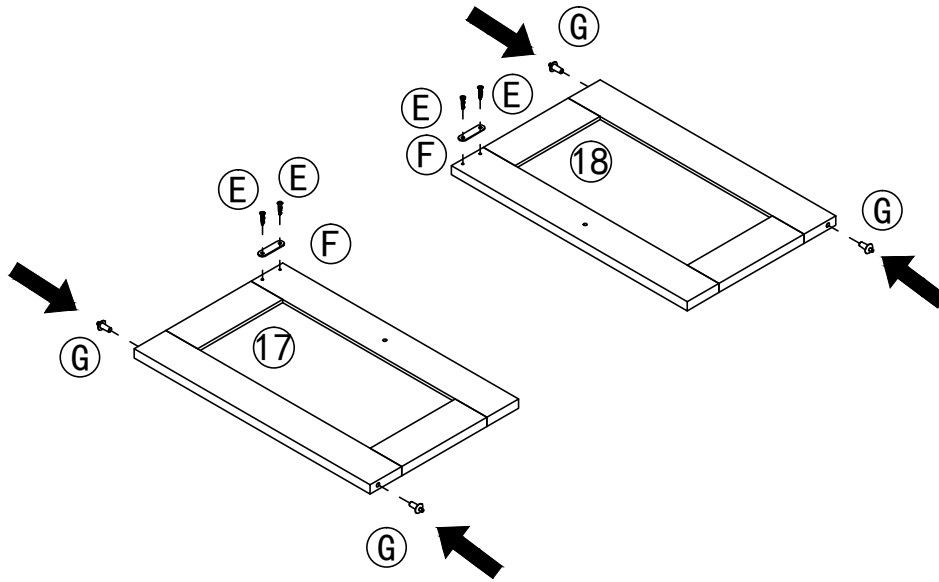


step 13



step 14

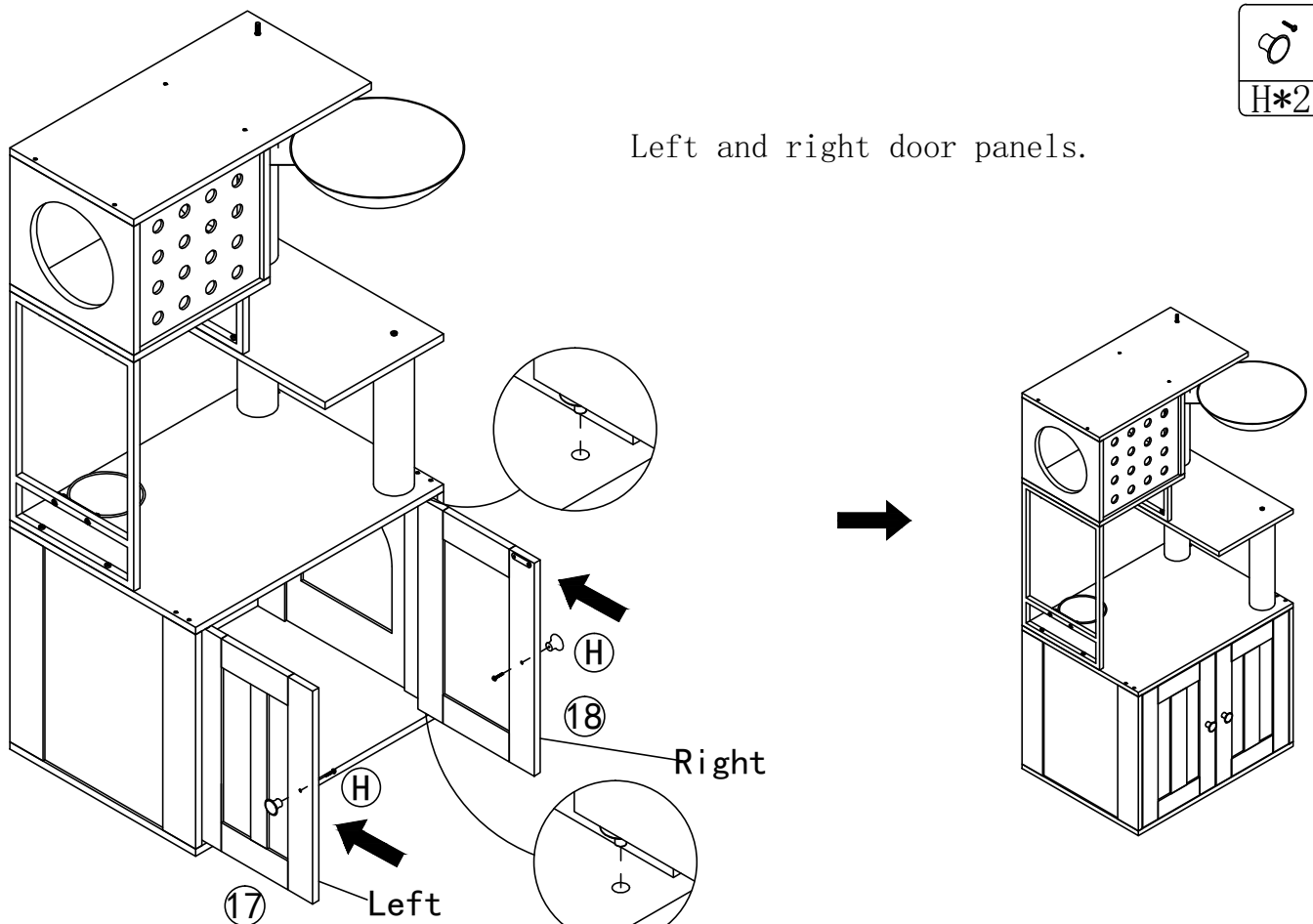
		
E*4	F*2	G*4



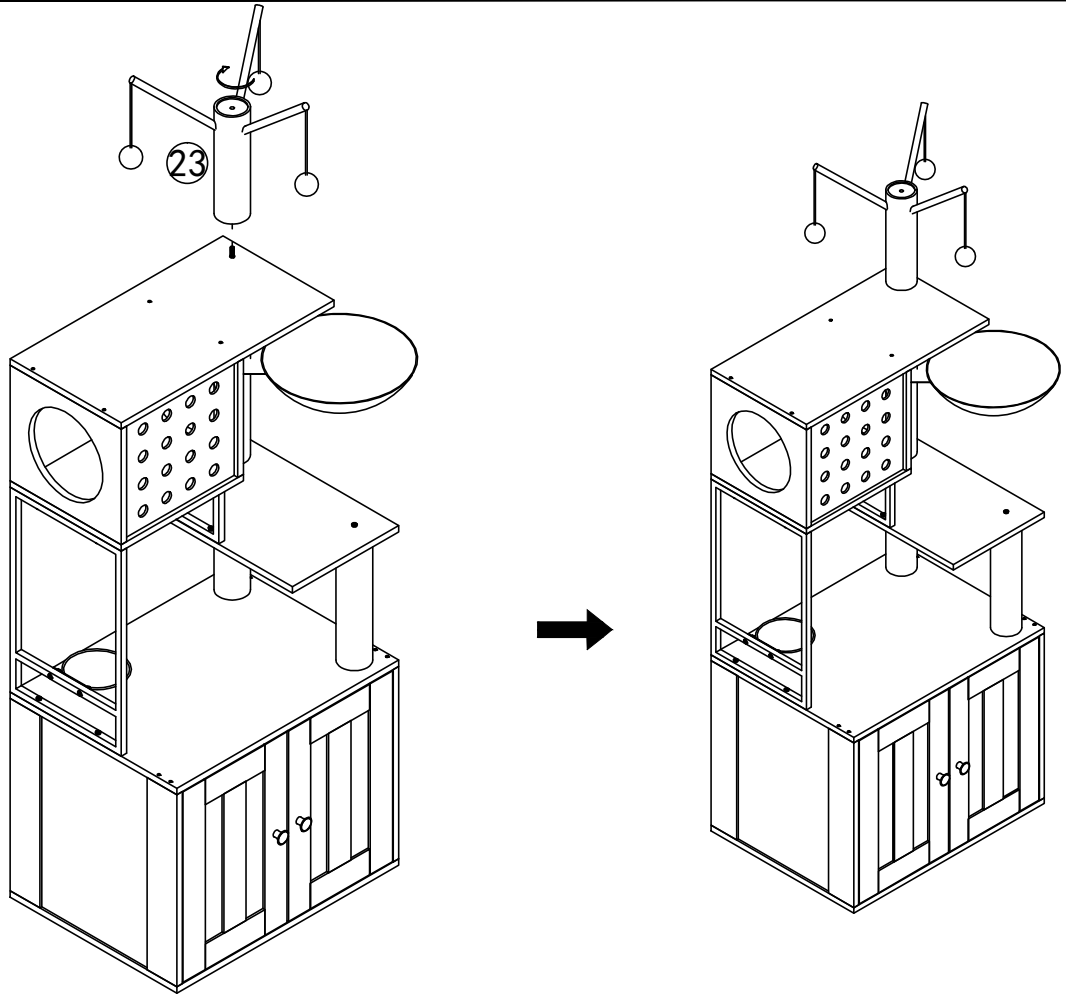
step 15


H*2

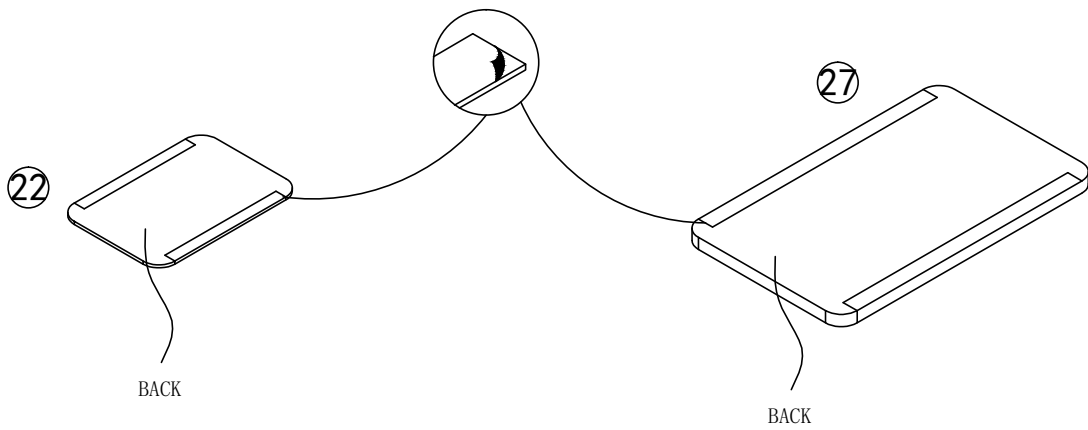
Left and right door panels.

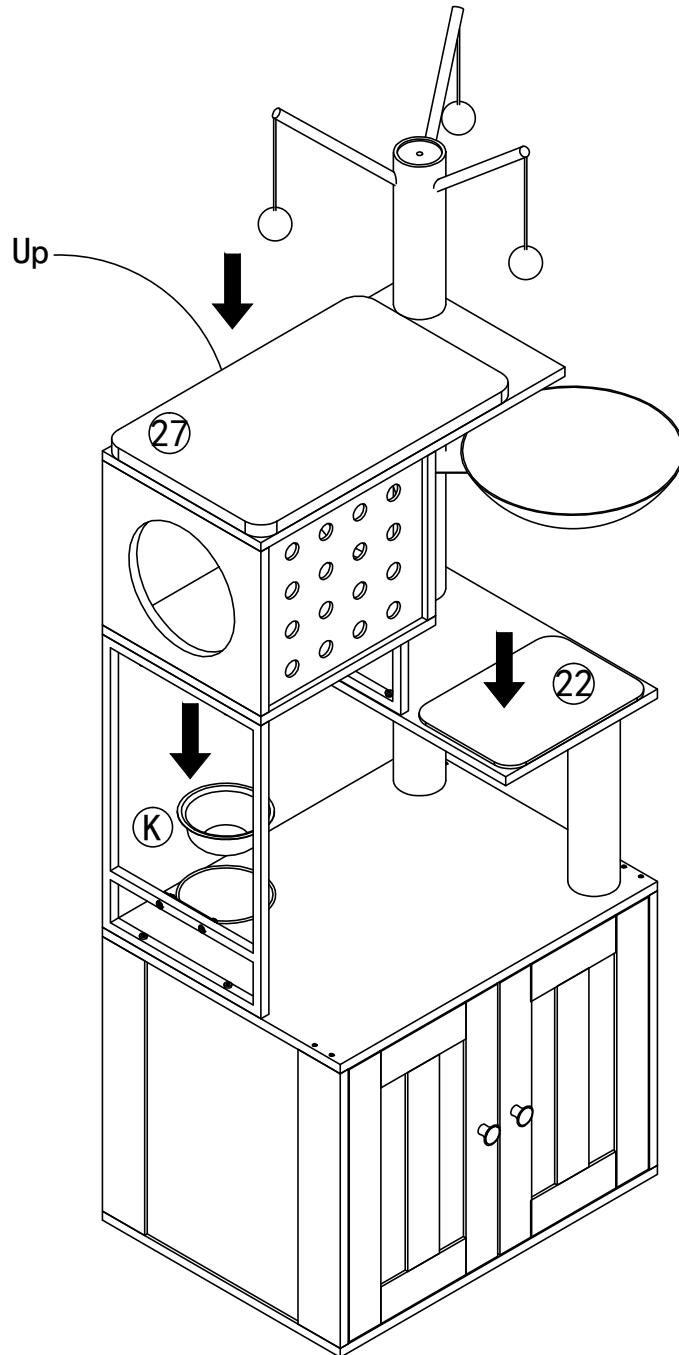
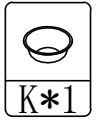


step 16

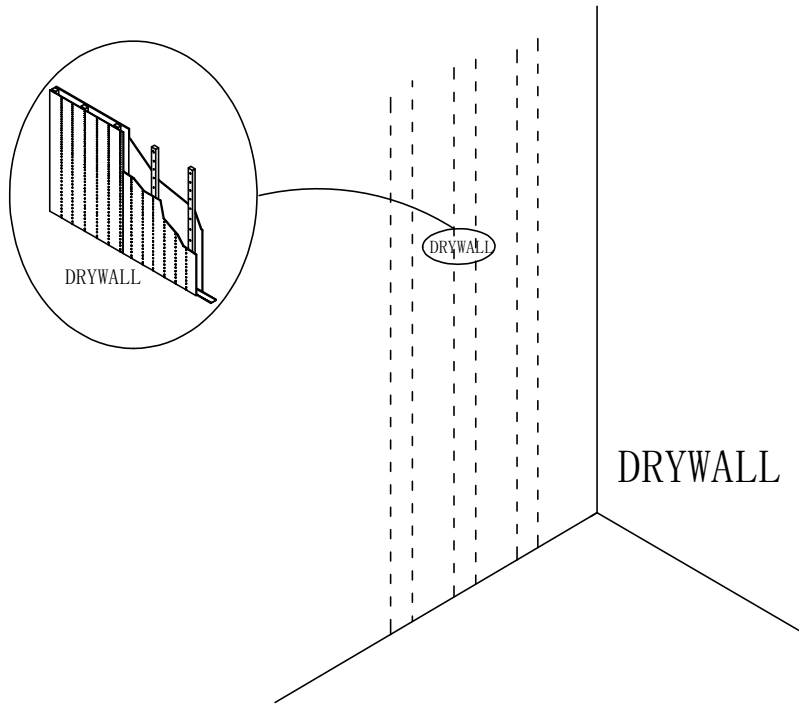


step 17

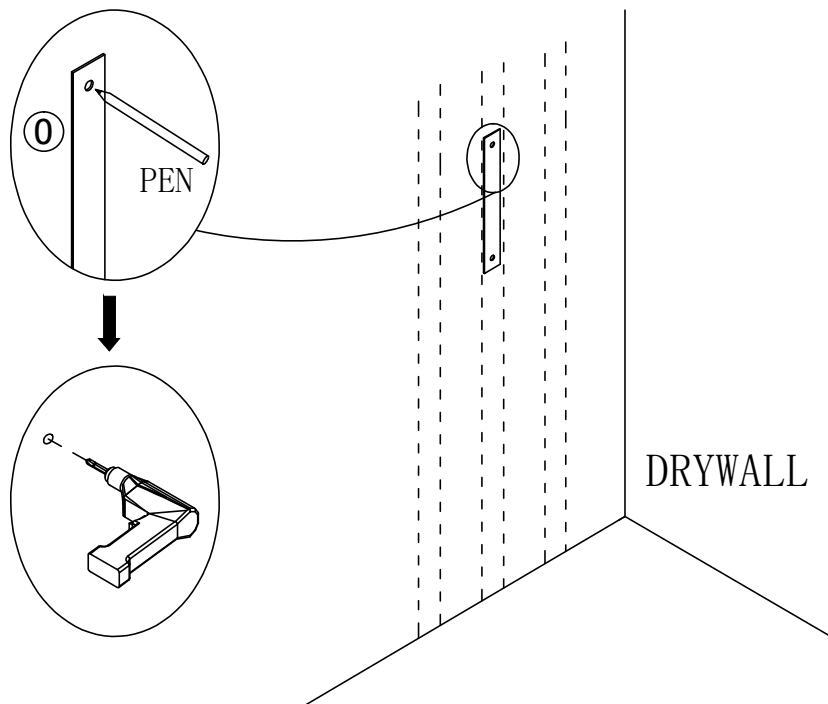







step 19



step 20



step 21

		
M*1	N*1	O*1

