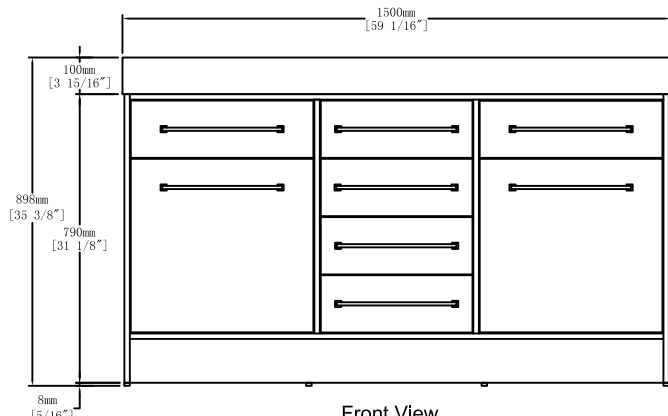
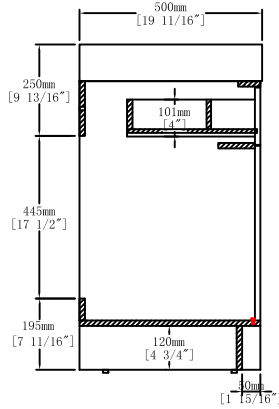


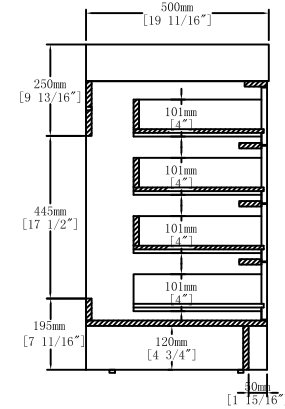
Top View



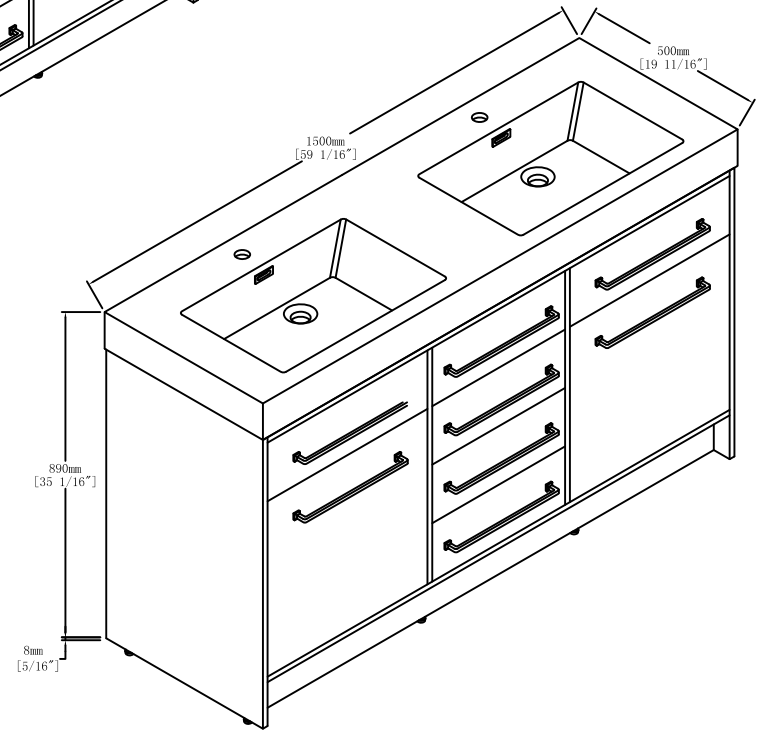
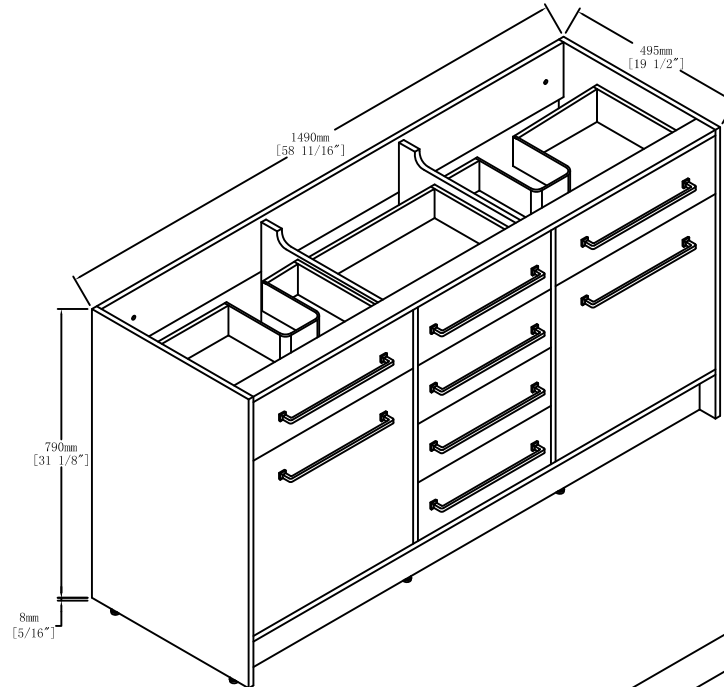
Front View



Side View



Side View



Item NO.

LV C1960D

Version

V1

Project

Date

2024-8-26