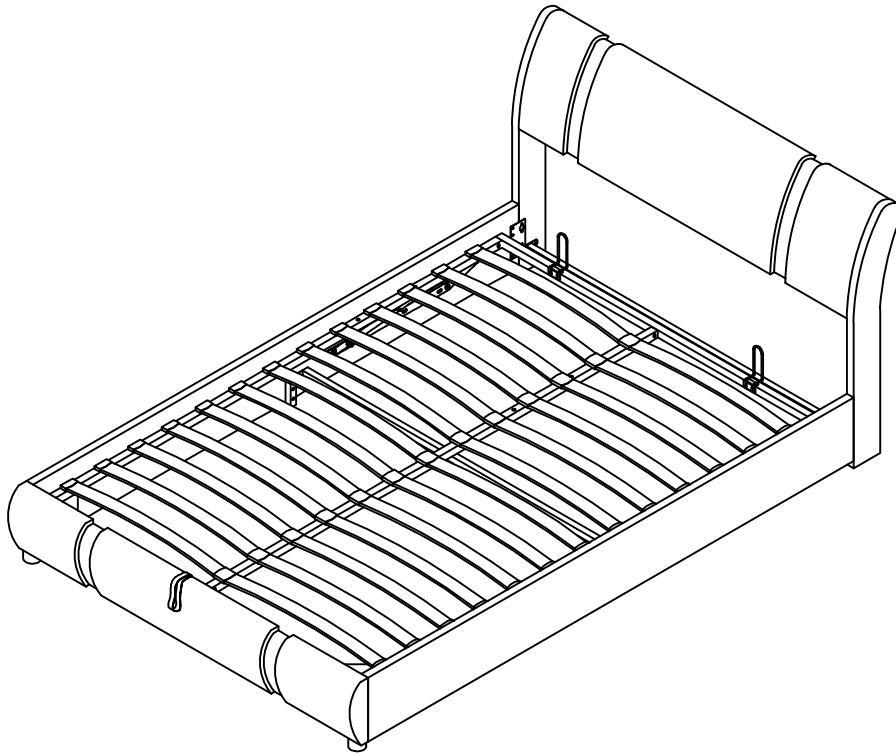
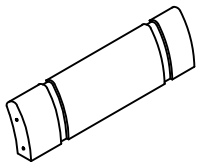


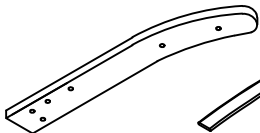
Assembly instructions



WF298348



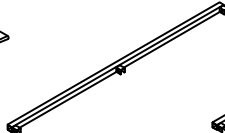
1 .1PC



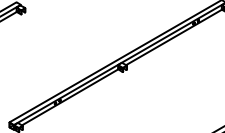
5 .1PC



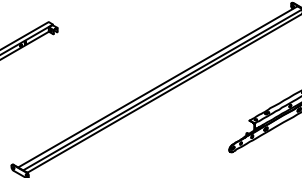
7 .26PCS



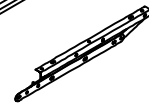
10 .1PC



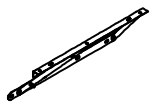
11 .1PC



13 .1PC

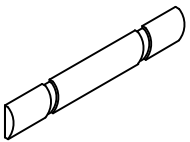


19 .1PC

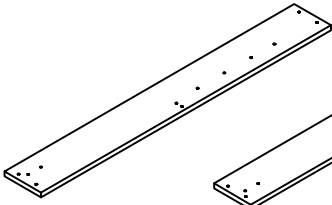


20 .1PC

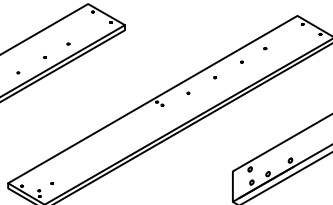
WF298349



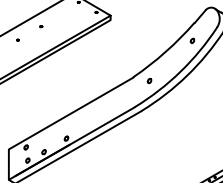
2 .1PC



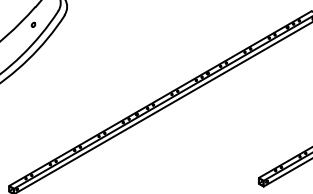
3 .1PC



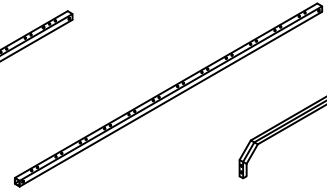
4 .1PC



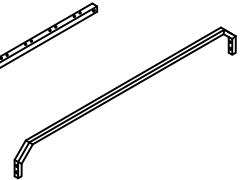
6 .1PC



8 .2PCS



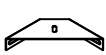
9 .1PC



12 .1PC



14 .2PCS



15 .2PCS



16 .2PCS



18 .1PC



22 .13PCS



23 .26PCS



24 .2PCS



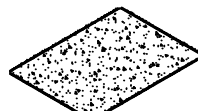
25 .8PCS



26 .1PC



27 .2PCS



29 .1PC



M4*50
A .2PCS



M8*18
B .28PCS



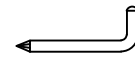
M8*35
C .28PCS



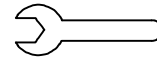
M8*45
D .6PCS



M8
F .16PCS

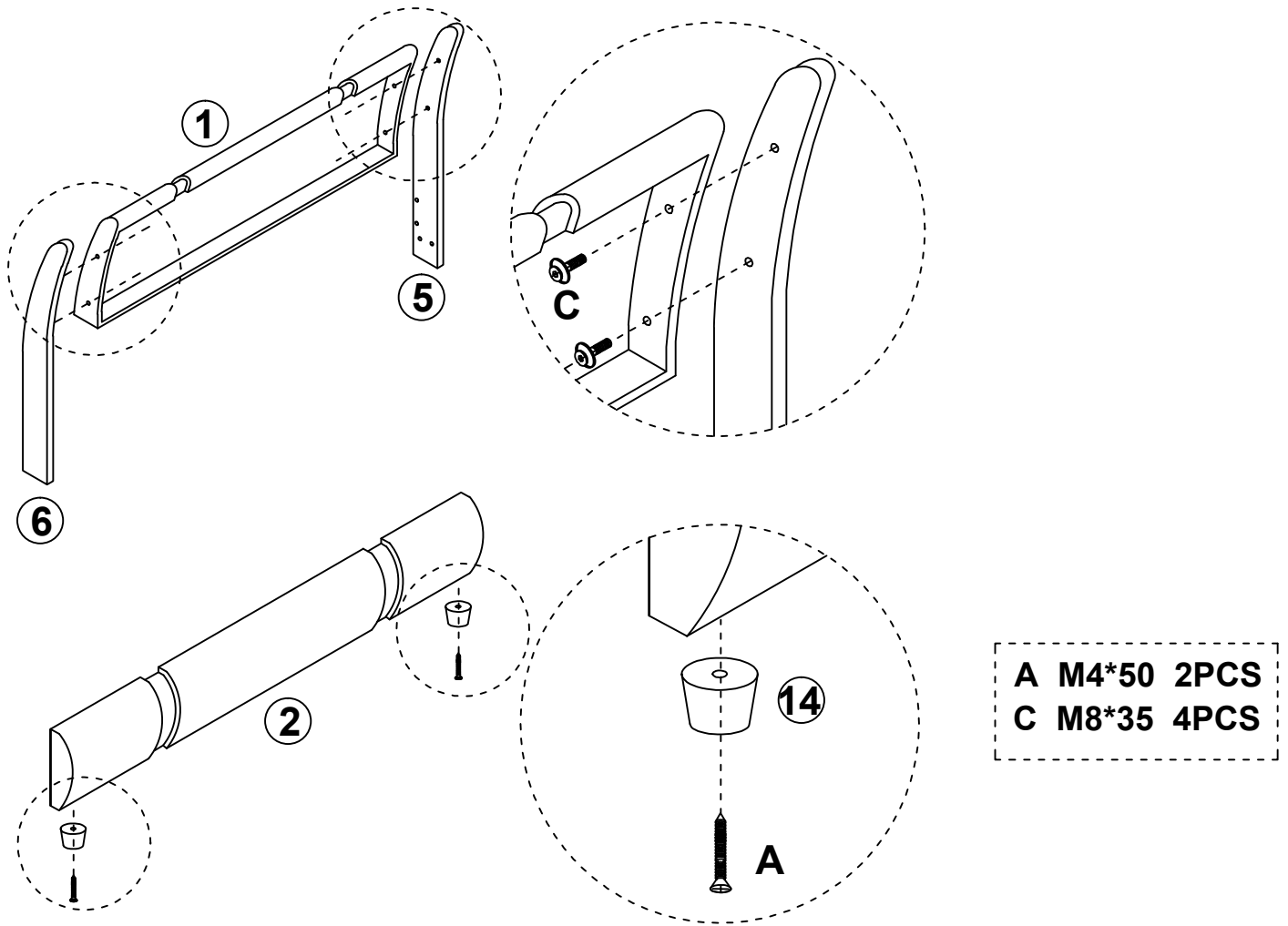


M8
G .1PC



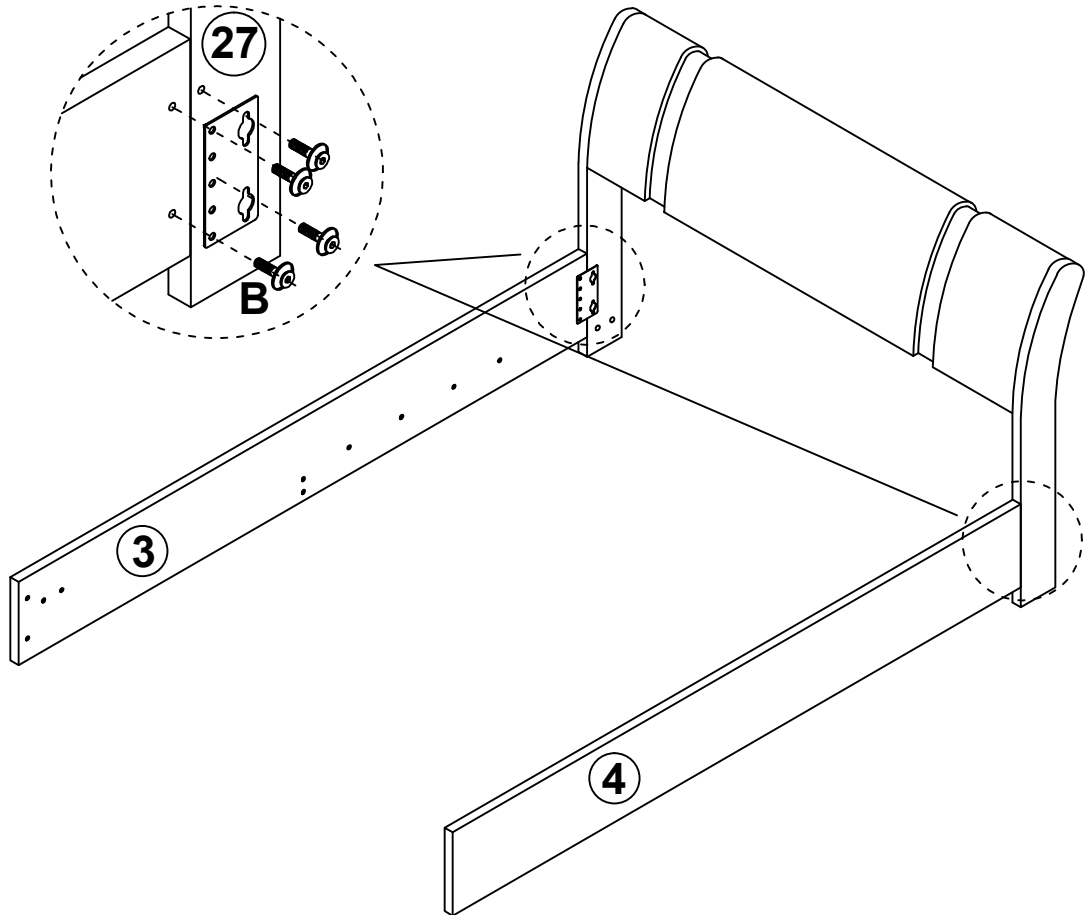
M8
H .1PC

Step:1



Step:2

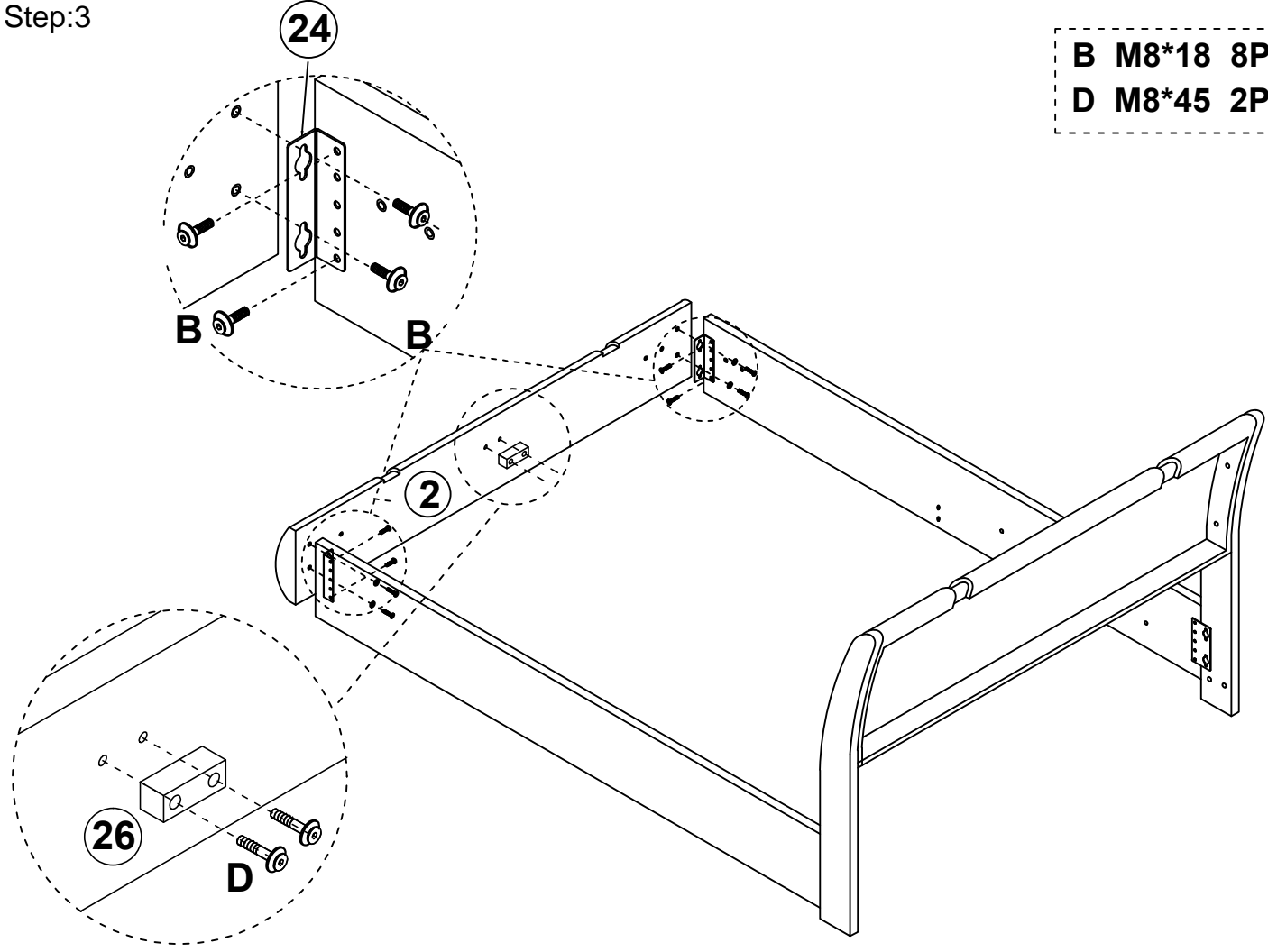
B M8*18 8PCS



Step:3

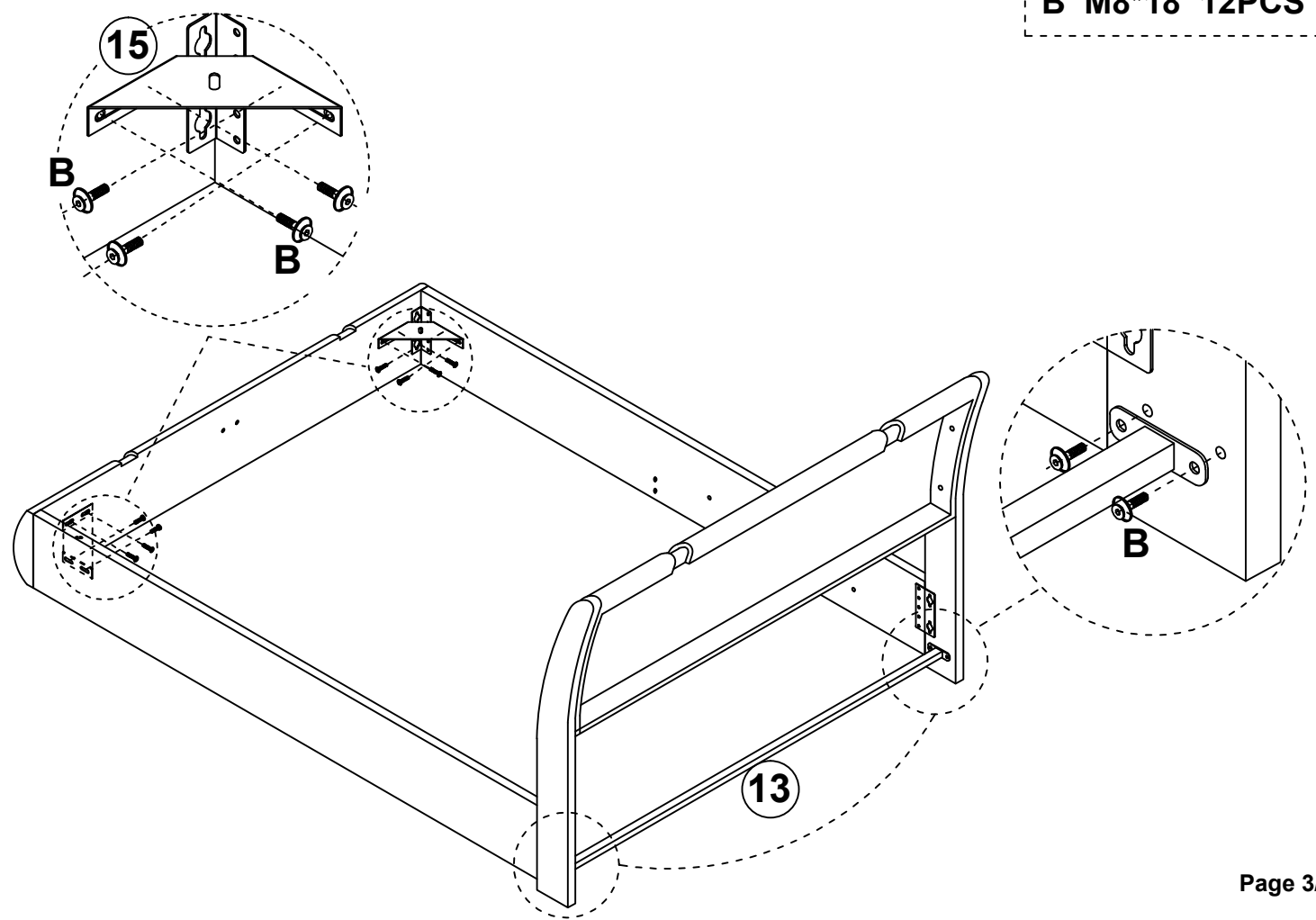
24

B M8*18 8PCS
D M8*45 2PCS



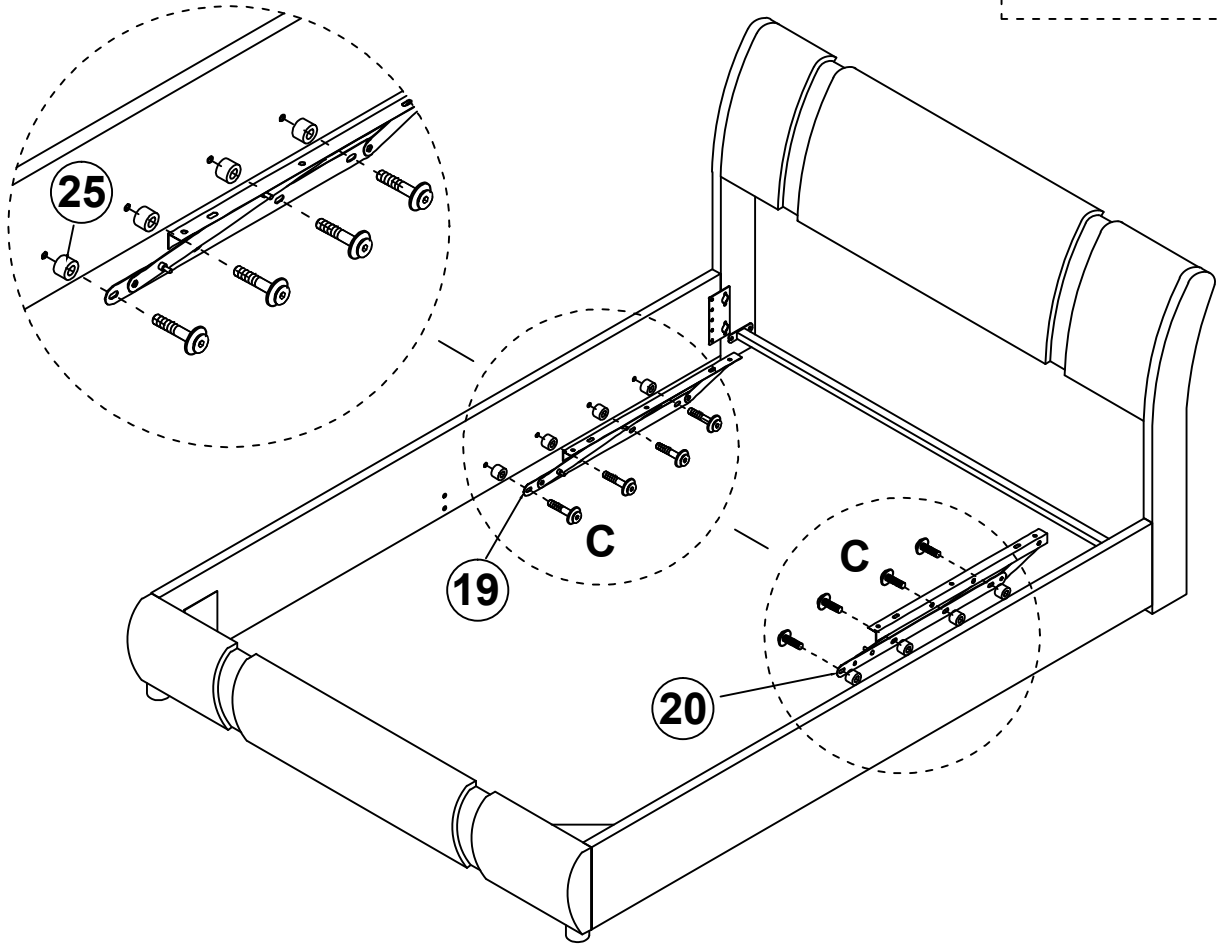
Step:4

B M8*18 12PCS



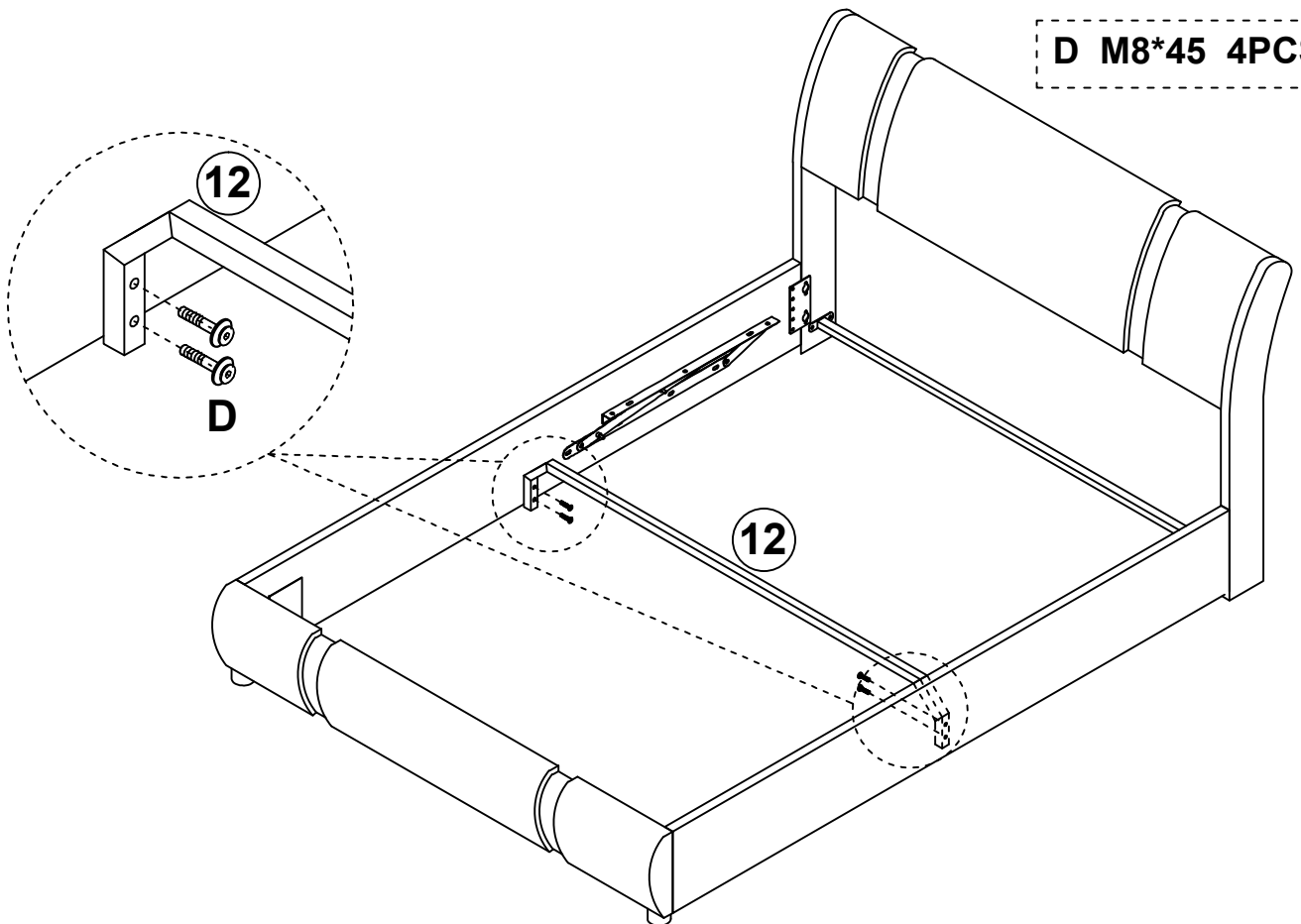
Step:5

C M8*35 8PCS

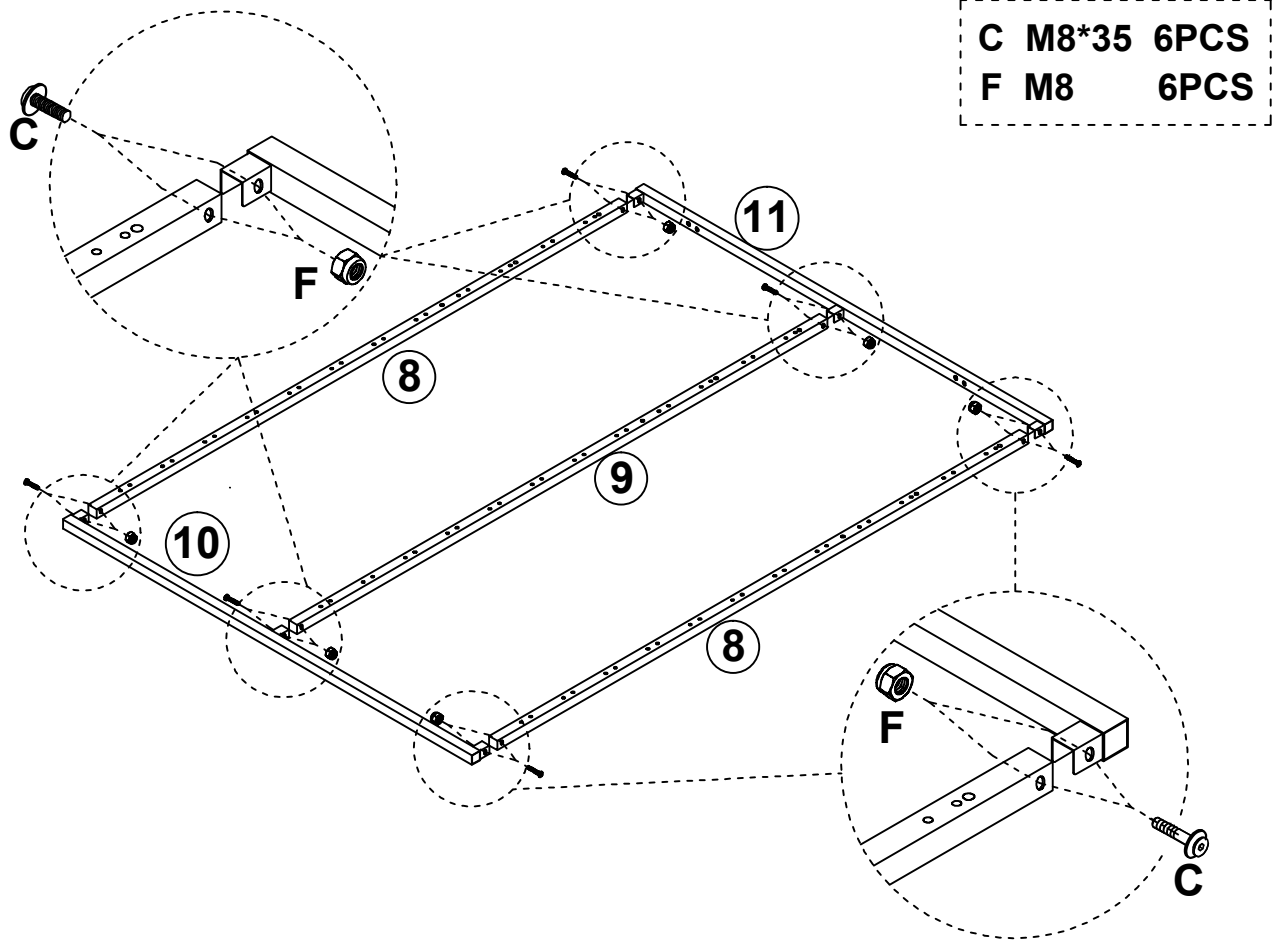


Step:6

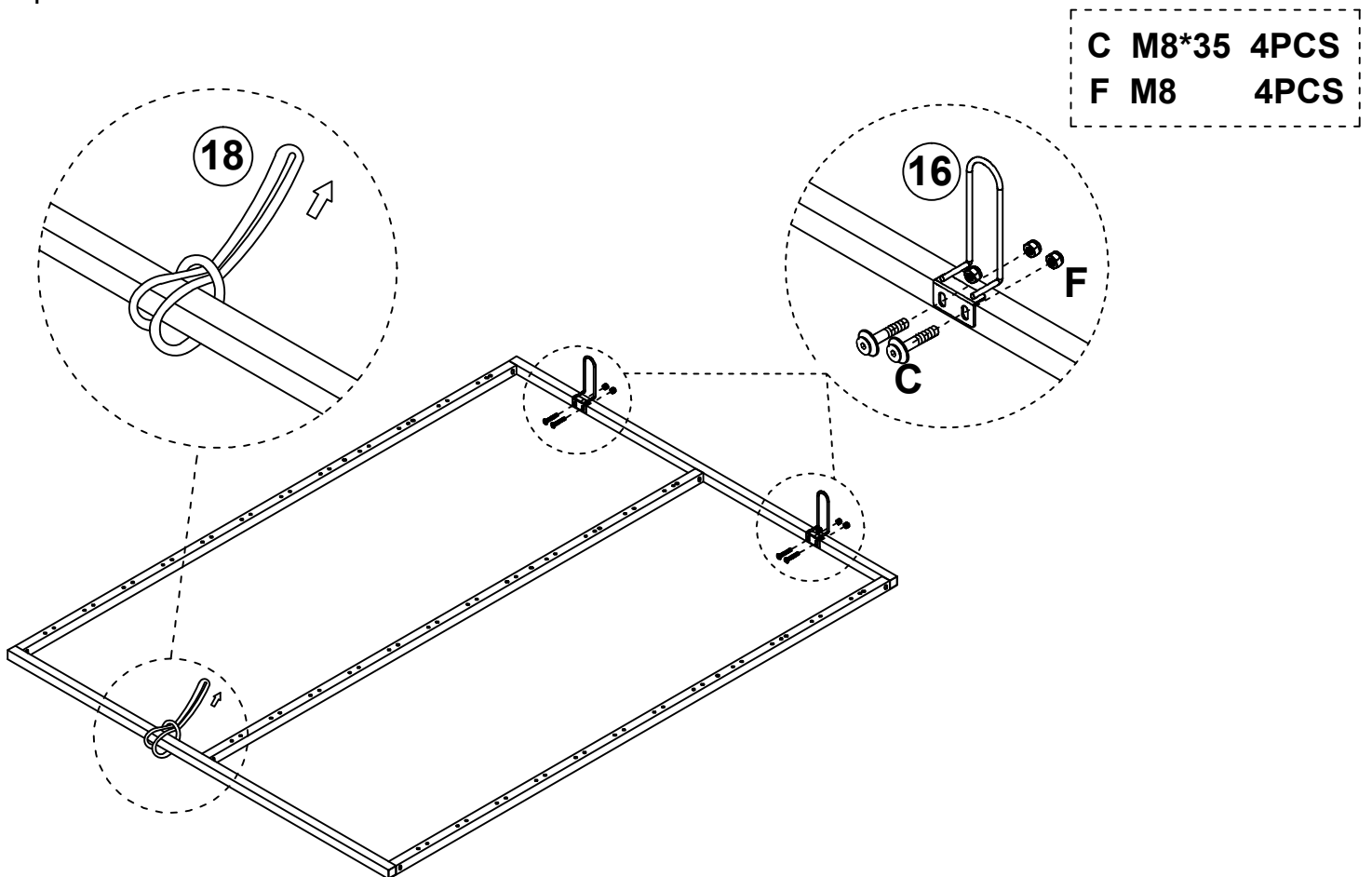
D M8*45 4PCS



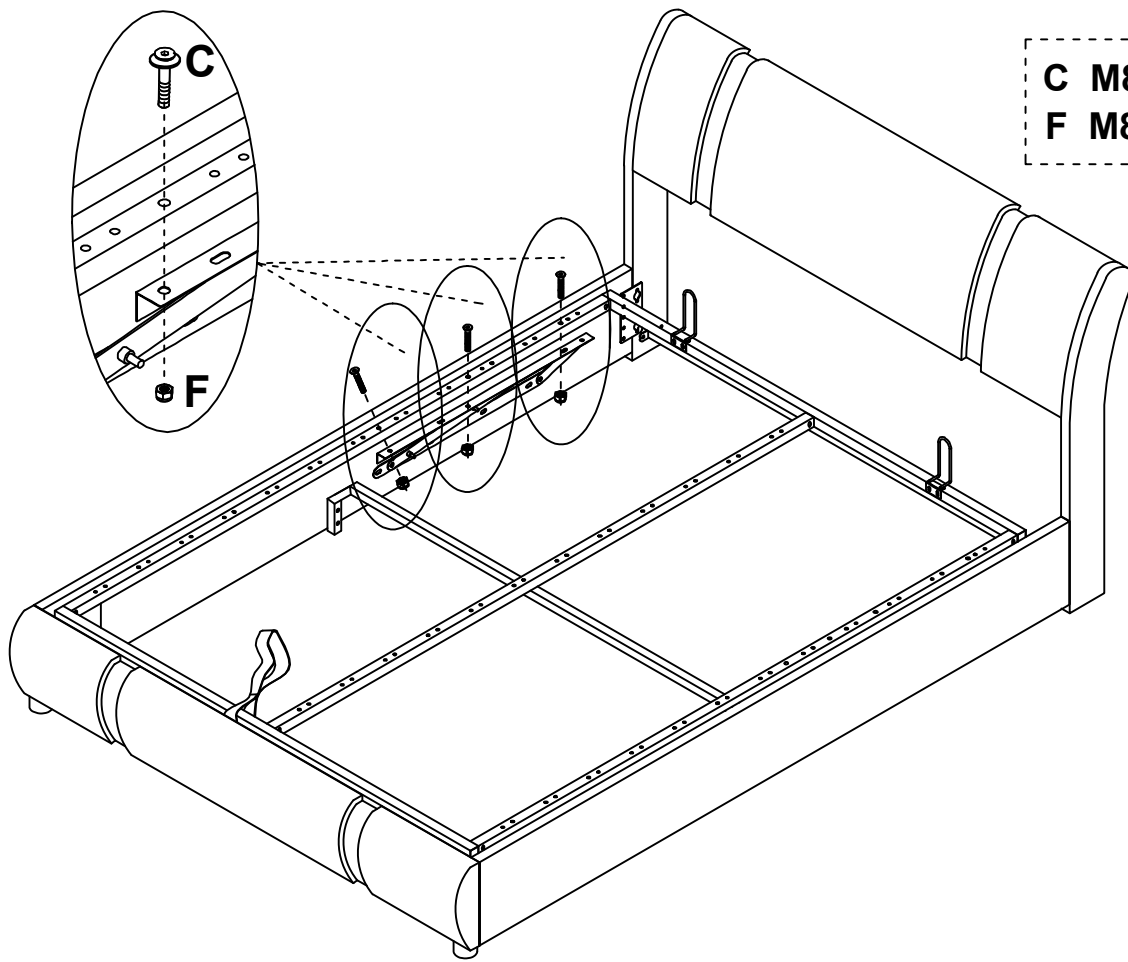
Step:7



Step:8



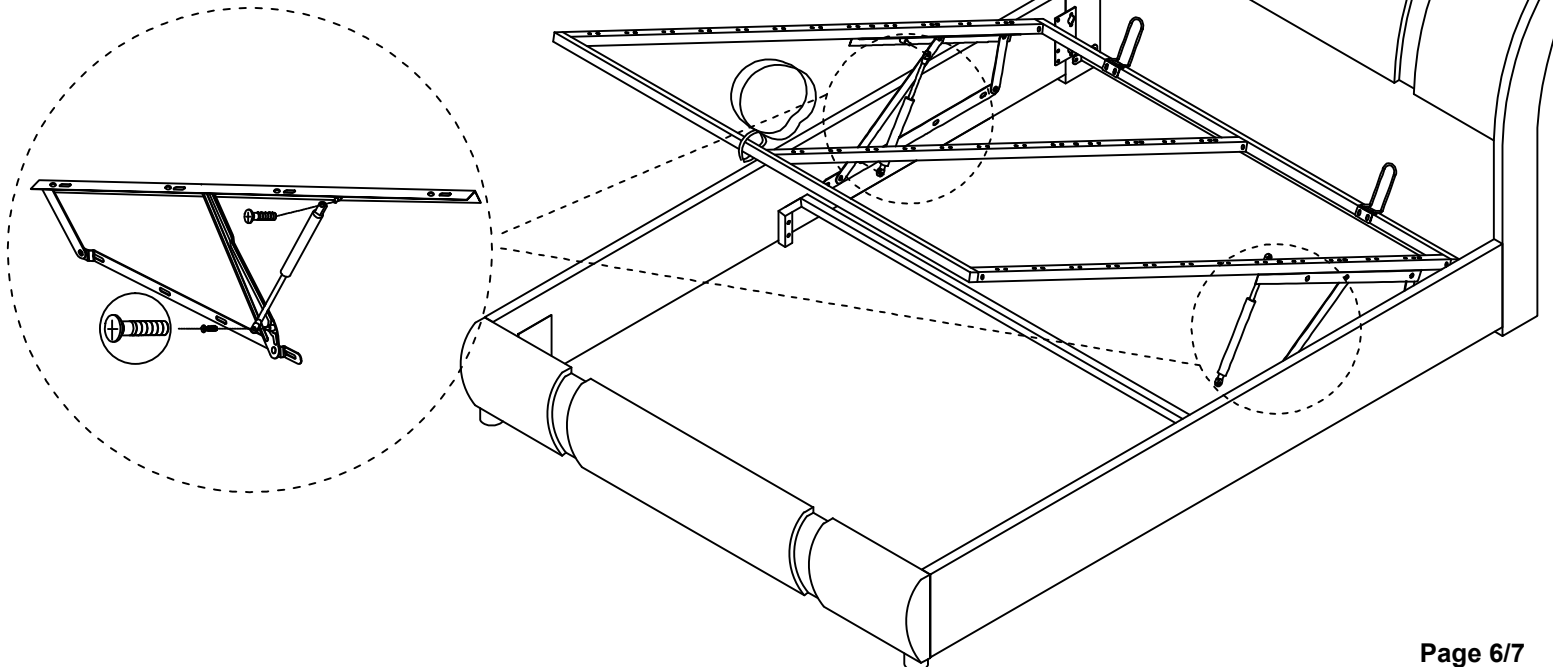
Step:9



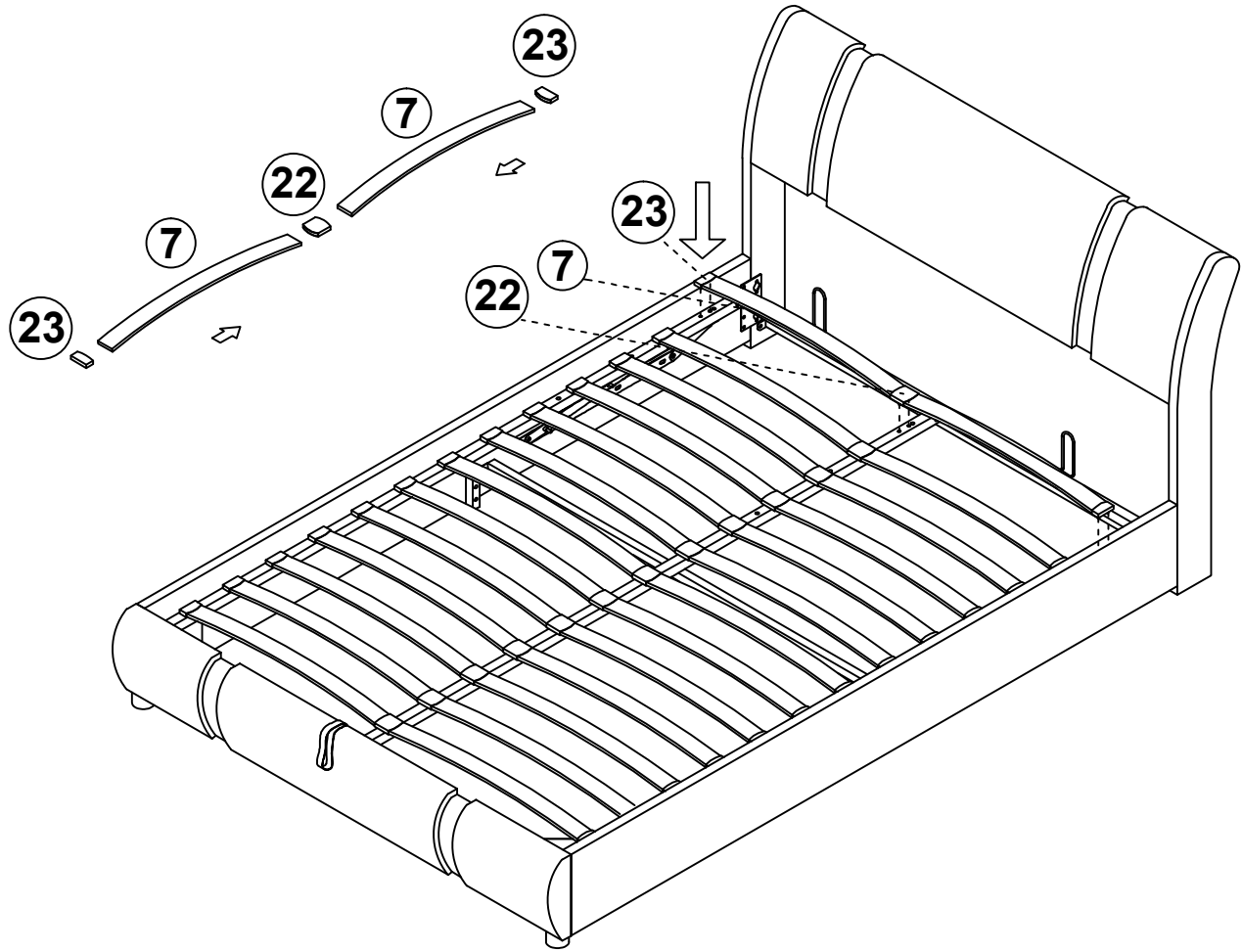
C M8*35 6PCS
F M8 6PCS

Step:10

The cylinder of cylinder frame is not completely installed. Please screw off the screw at the other end and lock it as shown in the figure.



Step:11



Step:12



Move slowly and operate with caution

Open it

