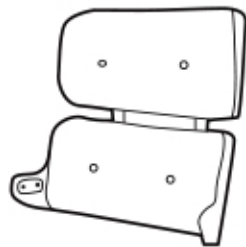





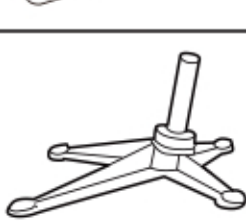



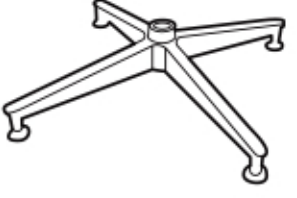
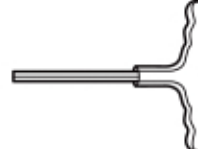







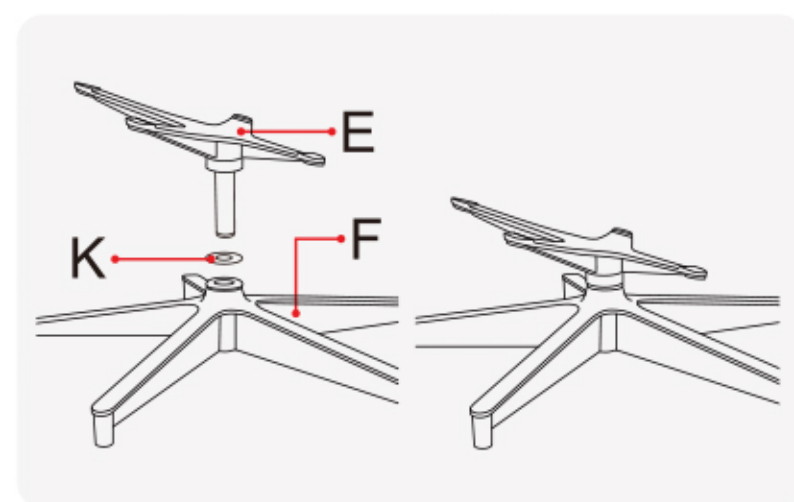
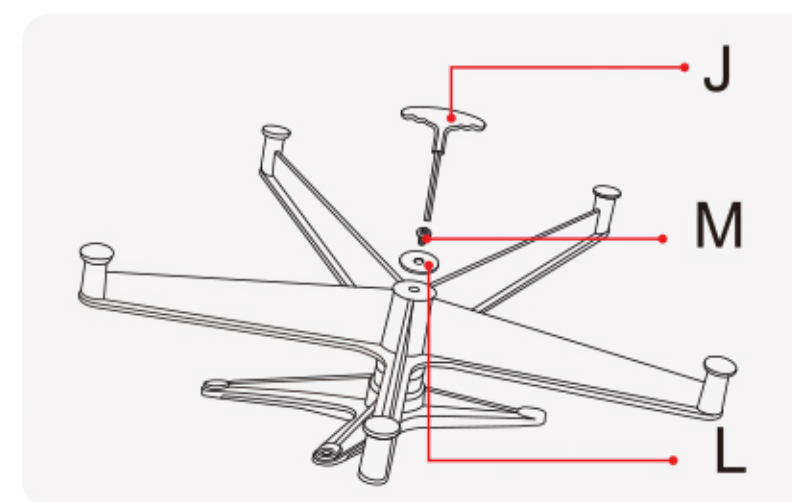


| Label | Picture  | Description                        |
|-------|--|------------------------------------|
| A     |  x1       | Chair Back Rest                    |
| B     |  x1       | Chair Seat                         |
| C1    |  Left x1  | Chair Arm Rest                     |
| C2    |  Right x1 | Chair Arm Rest                     |
| D1    |  Left x1  | Connecting Bracket                 |
| D2    |  Right x1 | Connecting Bracket                 |
| E     |  x1      | Chair Base                         |
| F     |  x1     | Five Star Metal Leg                |
| G     |  x1     | Ottoman Cushion                    |
| H     |  x1     | Ottoman Base                       |
| I     |  x1     | Four Star Metal Leg                |
| J     |  x1     | Hexagon Wrench                     |
| K     |  x1     | Transparent Gasket                 |
| L     |  x1     | Chair Washer                       |
| M     |  x9     | Hexagonal Screw M8*16              |
| N     |  x12    | Hexagonal Screw M6*25              |
| O     |  x9     | Chair Washer Φ16*1.5               |
| P     |  x1     | Spare part:<br>Four Star Foot Nail |
| Q     |  x1     | Spare part:<br>Five Star Foot Nail |

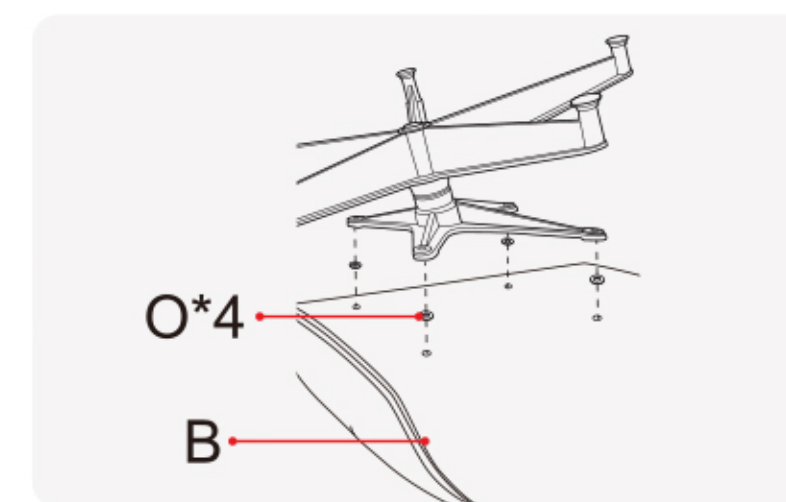
**1** Five star metal leg central hole along with chair base rod, press and rotate it down to the end until tighten.



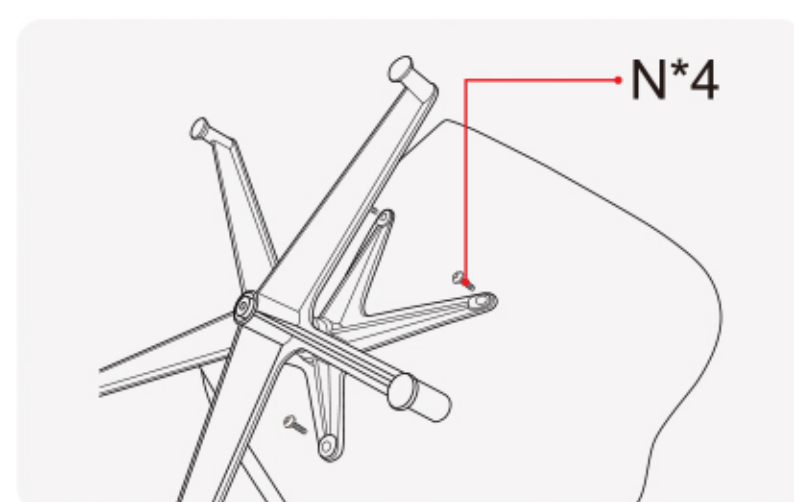
**2** Put the Five star metal leg upside down, then fix the rod with screw and washer provided



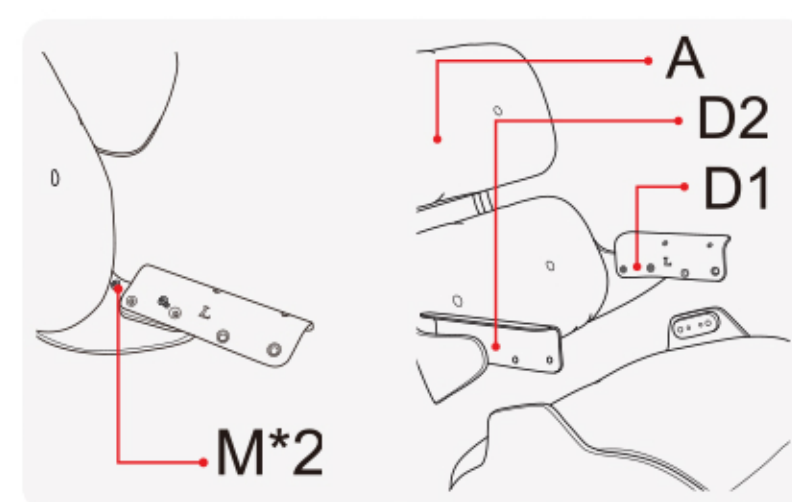
**3** Install the chair base component to chair seat, please notice to put rubber pad before fixing the chair base under the chair seat.



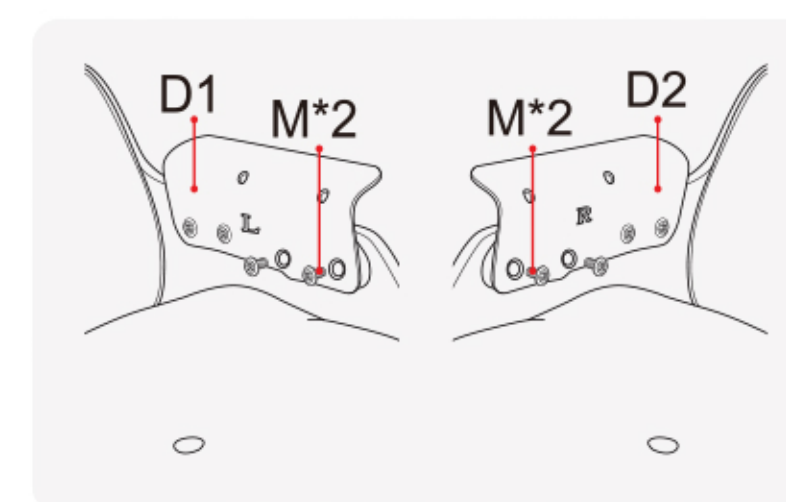
**4** Fix chair base and chair seat with screws.



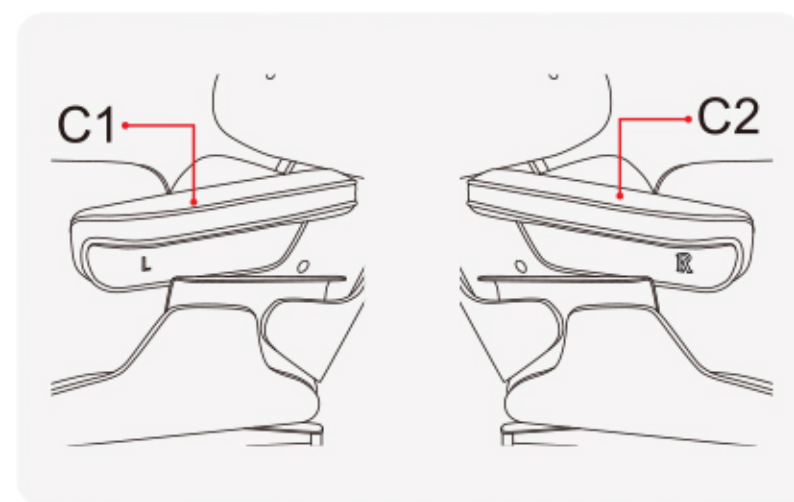
**5** Install the chair back rest and seat with the connecting bracket, pre install the left and right brackets, and be careful not to fix the screws



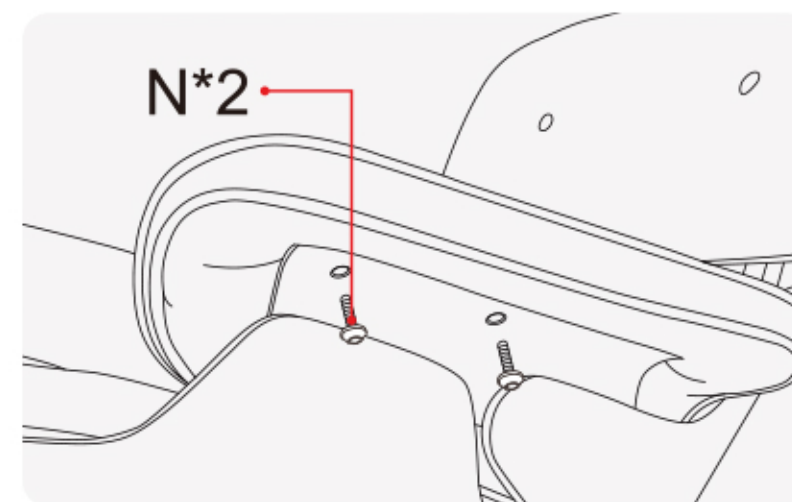
**6** After adjusting the angle of the chair, fix the connecting back rest



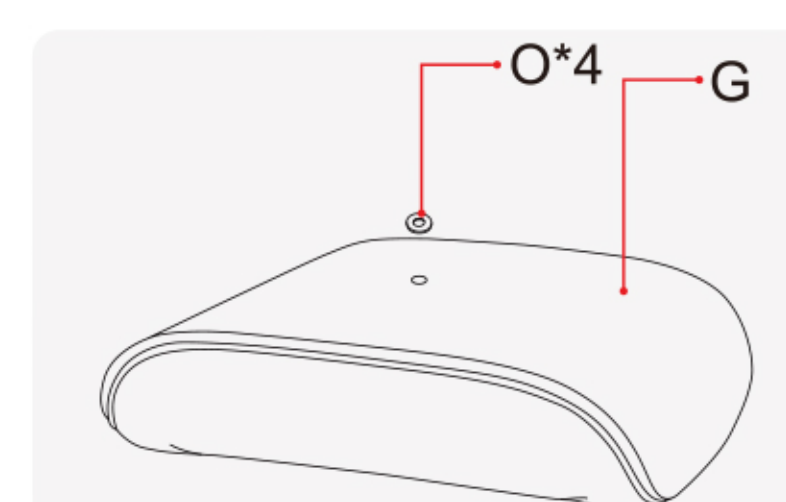
**7** Install arm rest on both side



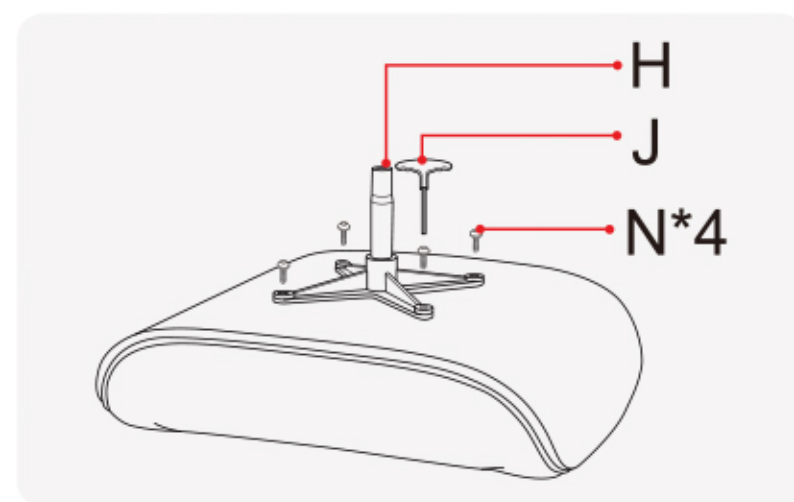
**8** Tighten the arm rest with screws underneath.



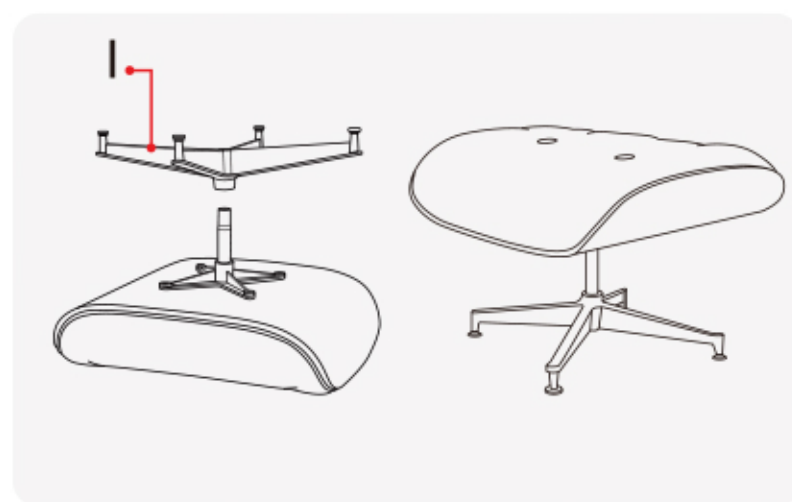
**9** For the installation of the ottoman, use rubber pads to protect the bottom plate.



**10** Refer to step 3 and 4 installation for ottoman base component setup.



**11** Insert the four-star leg down into the rod till tighten, Refer step 4 in stallation for ottoman setup.



**12** Follow the above steps and you will get a perfect recliner.



**Note**