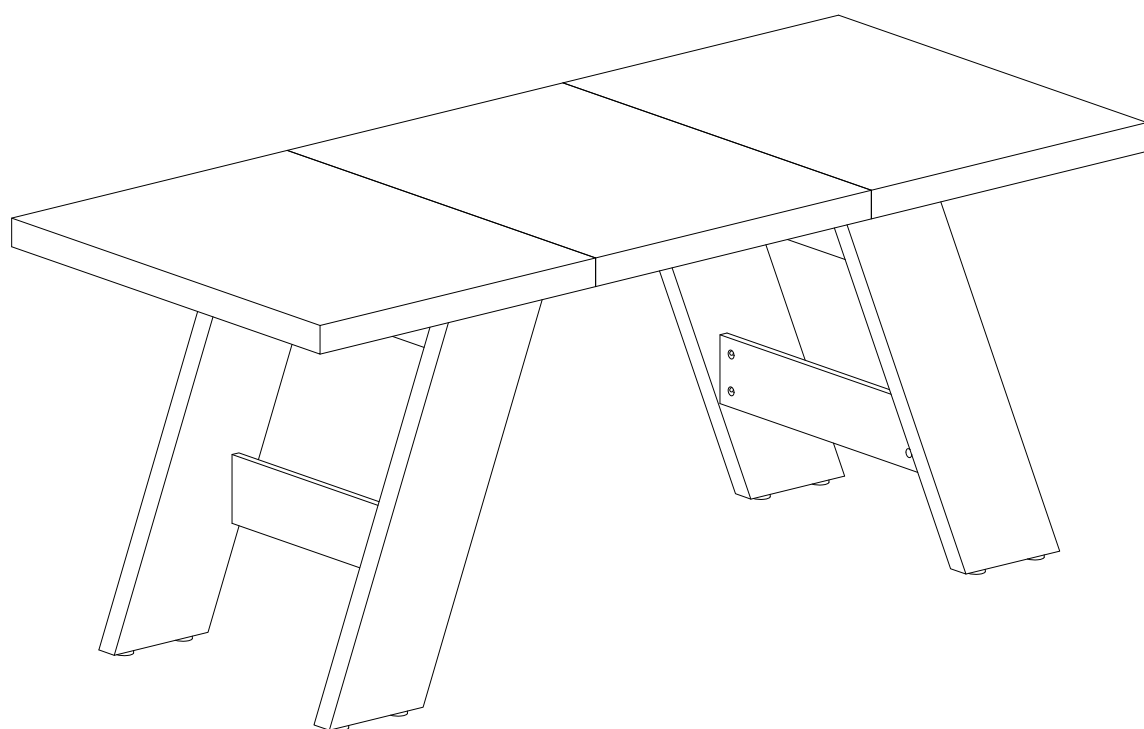
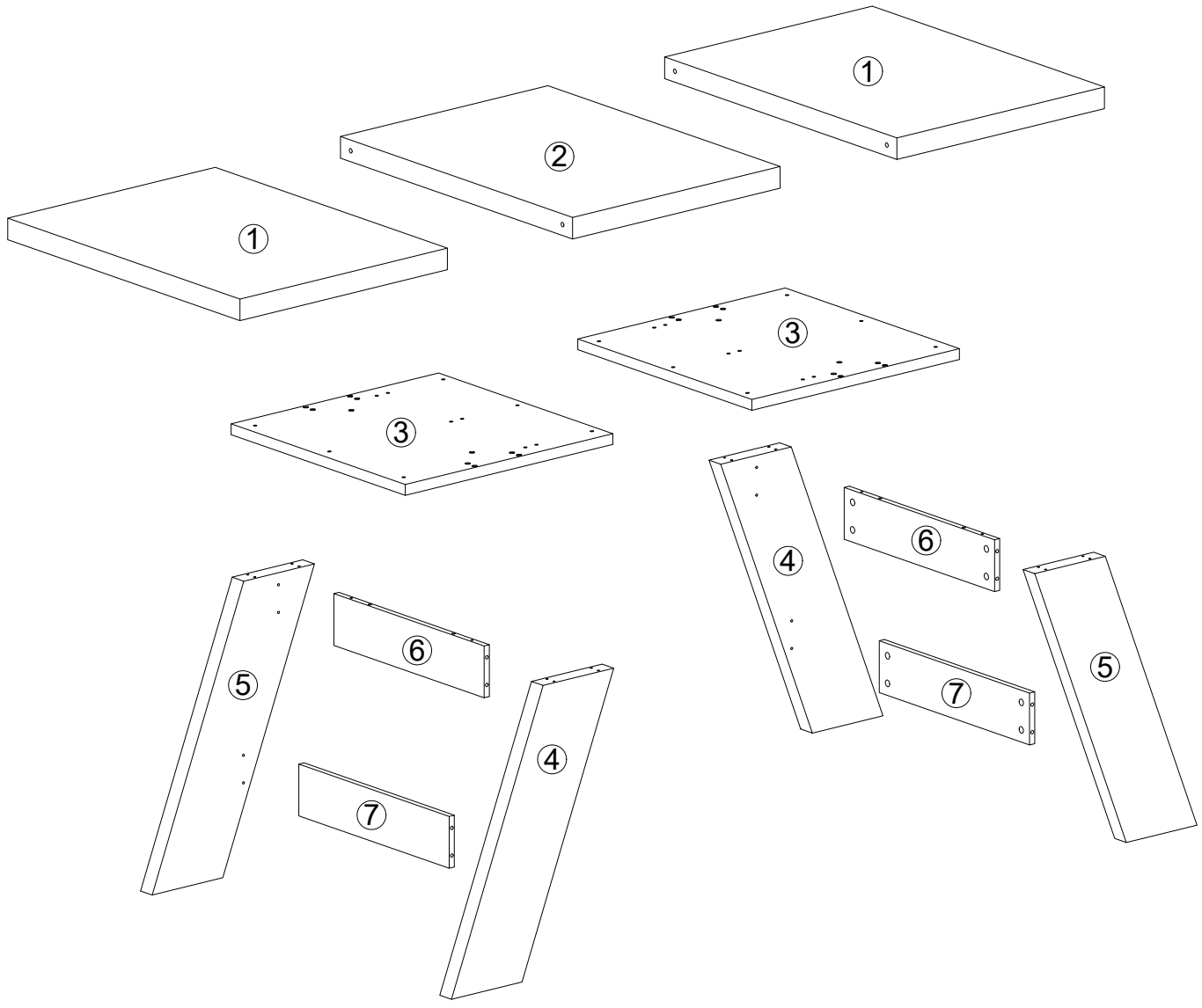
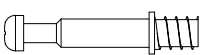
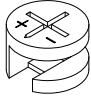




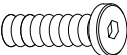
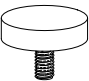


# DT-509-18080

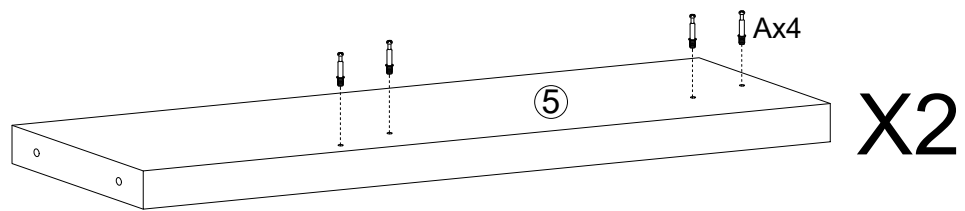
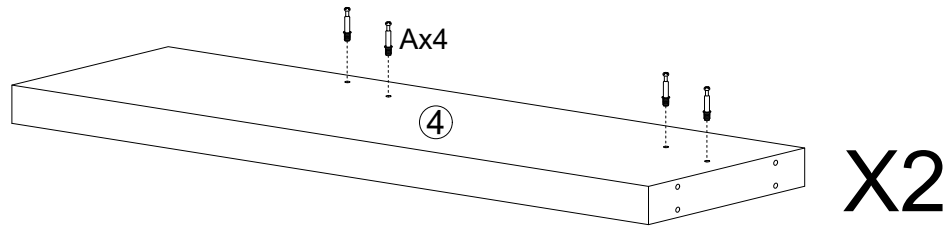
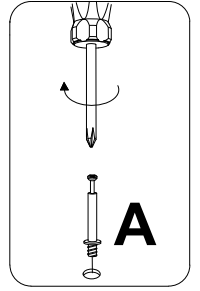




A	X16	B	X16	C	X4	D	X4	E	X20
									
Ø6X35mm		Ø15X12mm		Ø8X30mm		Ø10X50mm		Ø7X57mm	

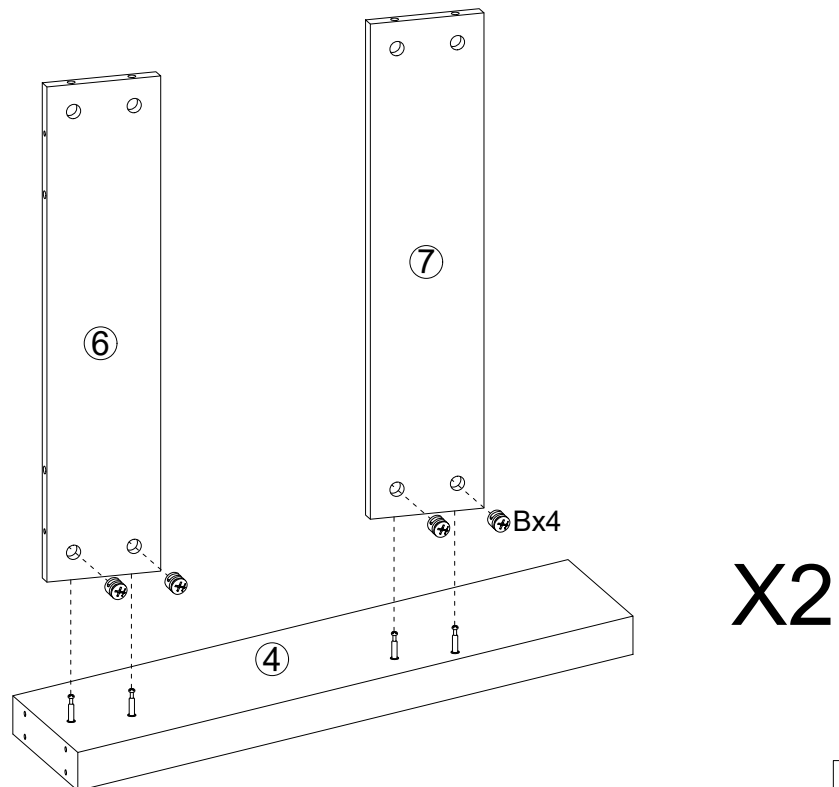
F	X1	G	X24	H	X8
					
M4X64mm		M6X40mm		M6XØ30mm	

# STEP 1



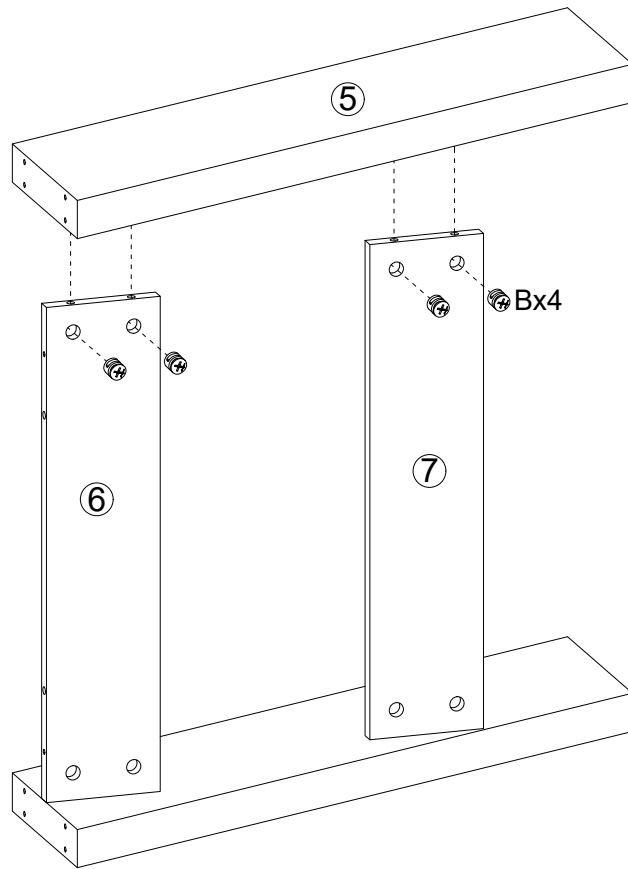
A	X16
Ø6X35mm	

# STEP 2



B	X8
Ø15X12mm	

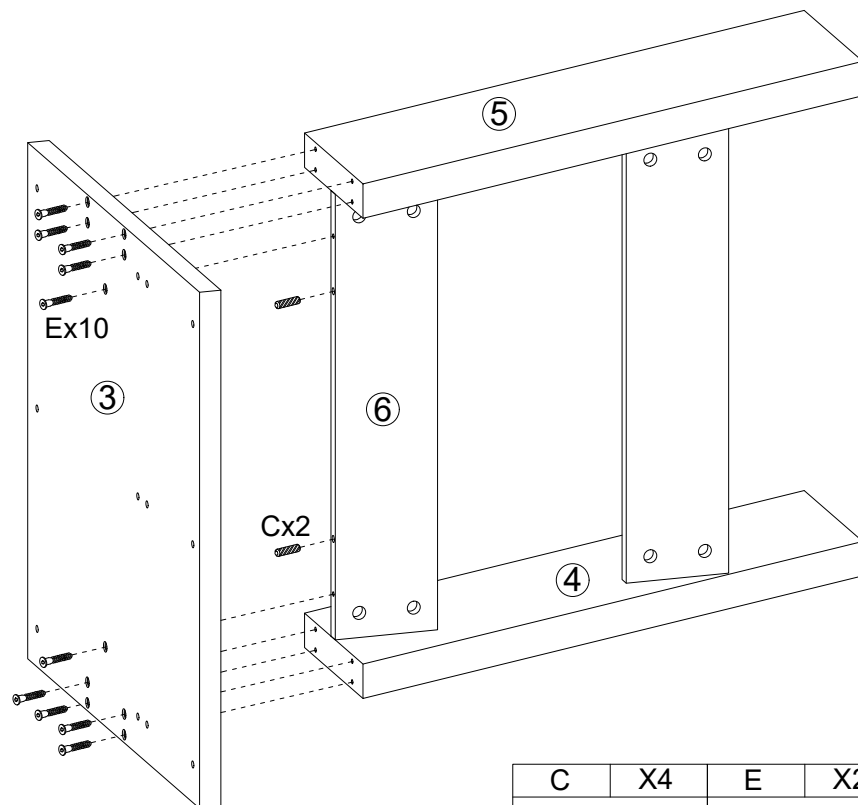
# STEP 3



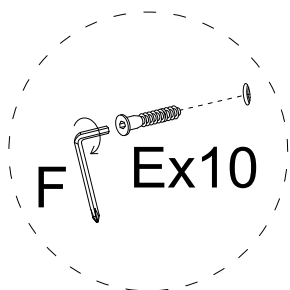
X2

B	X8
Ø15X12mm	

# STEP 4

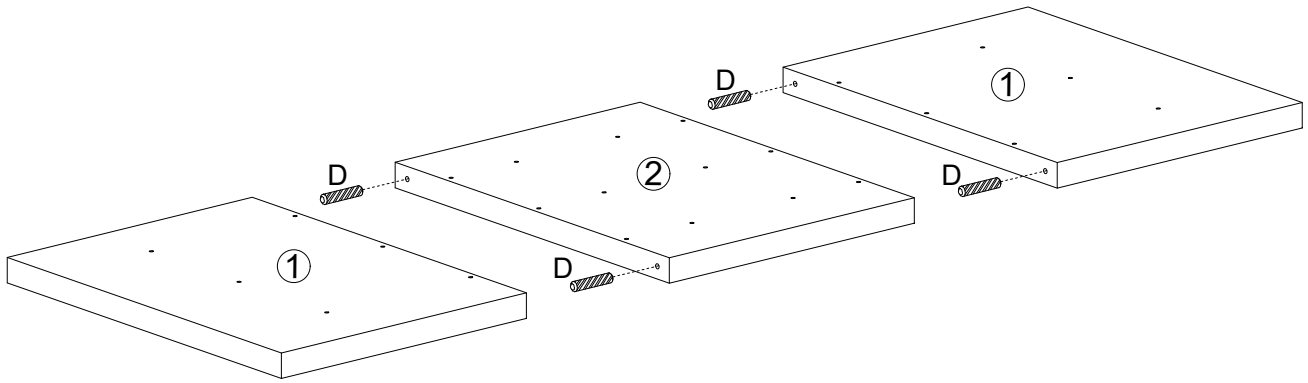


X2



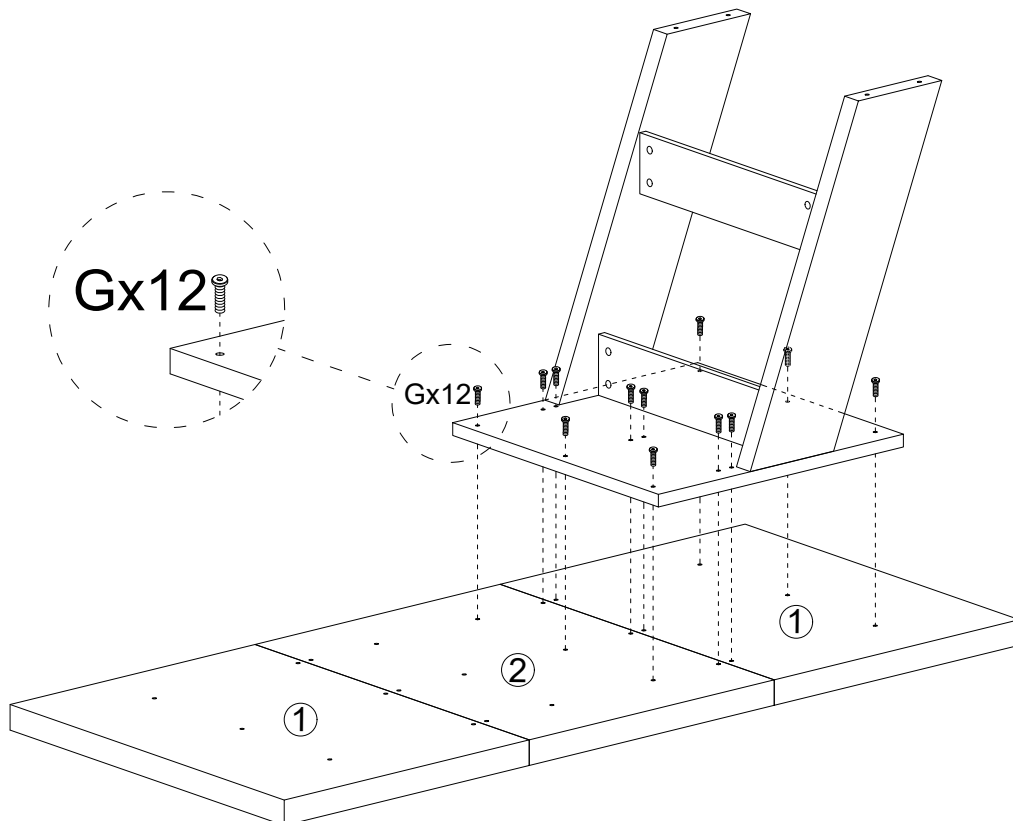
C	X4	E	X20	F	X1
Ø8X30mm		Ø7X57mm		M4X64mm	

# STEP 5



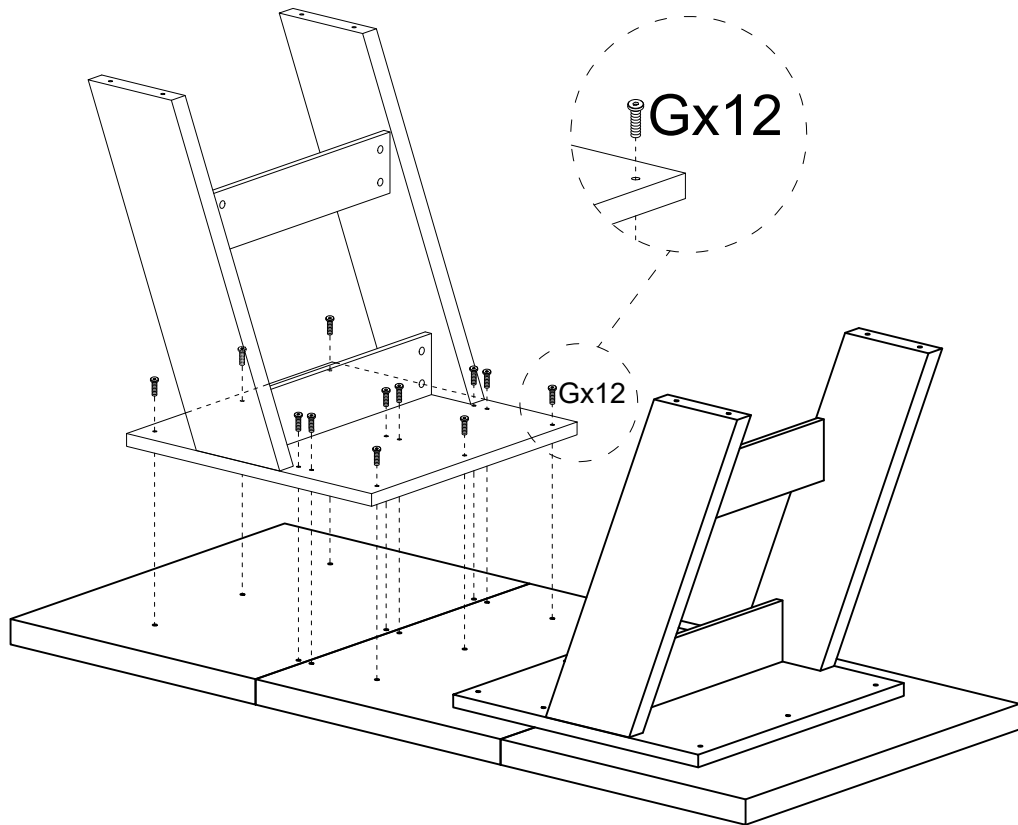
D	X4
Ø10X50mm	

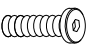
# STEP 6



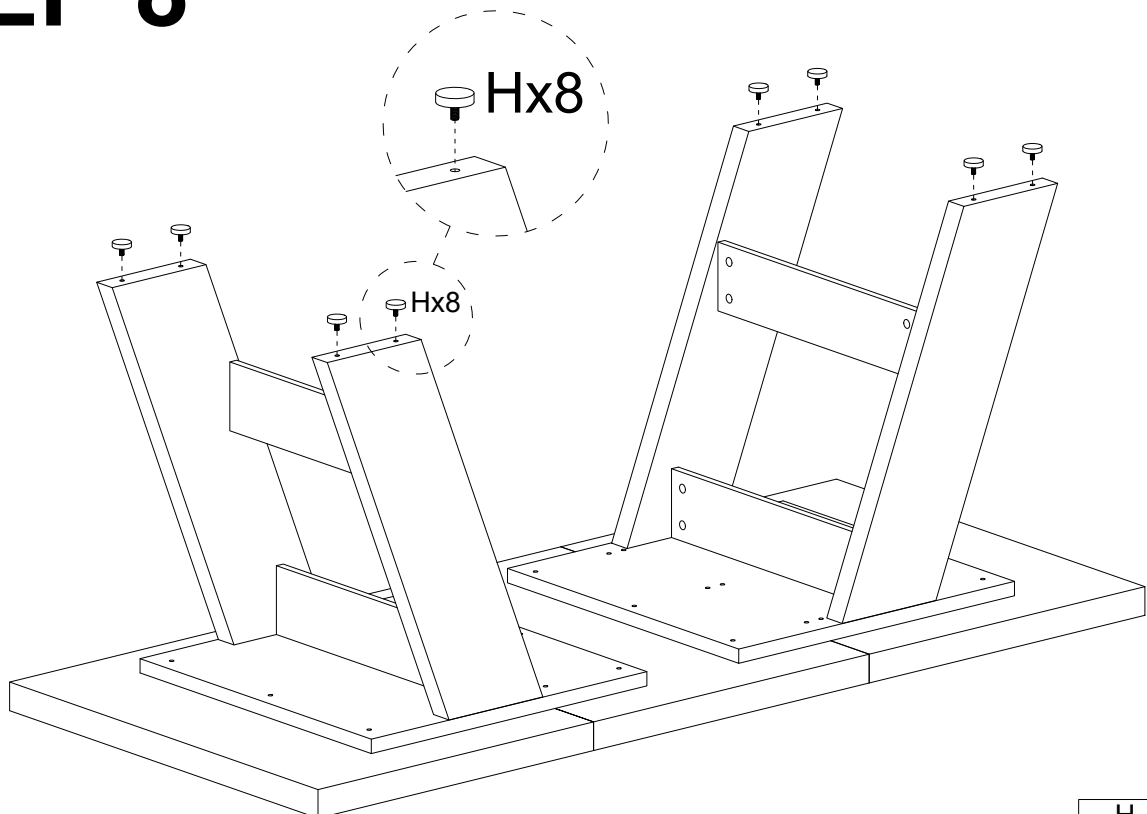
G	X12
M6X40mm	


# STEP 7



G	X12
	
M6X40mm	

# STEP 8



H	X8
	
M6XØ30mm	